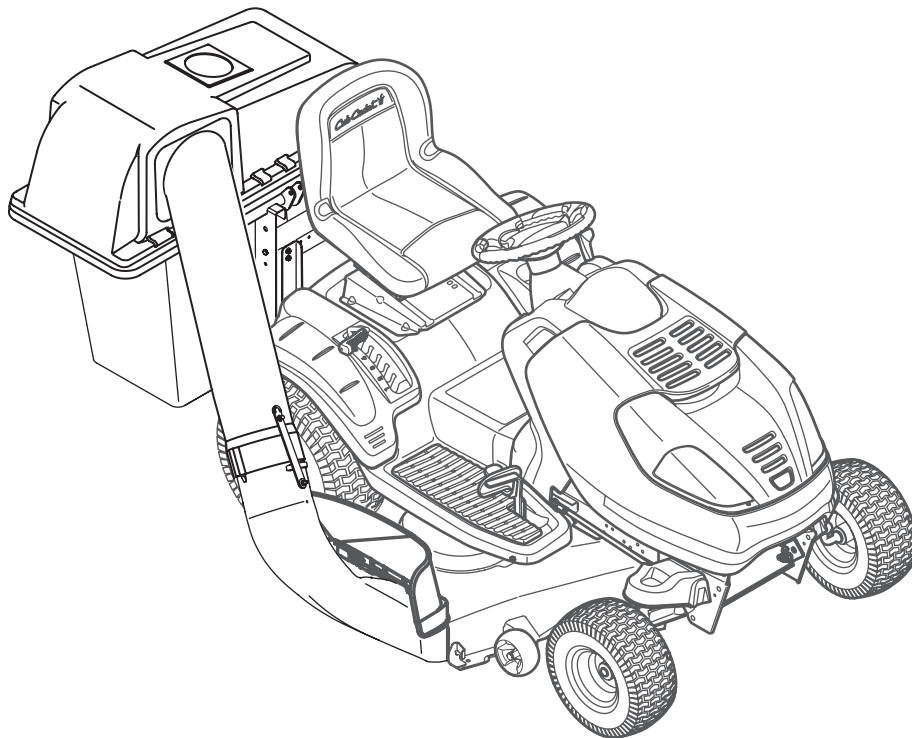


OPERATOR'S MANUAL

Cub Cadet[®]

Twin Rear Bagger Kit

For i1000 Series Lawn Tractors
with a 42" Timed Deck



Model 19A70001000

IMPORTANT

READ SAFETY RULES AND INSTRUCTIONS CAREFULLY BEFORE OPERATION

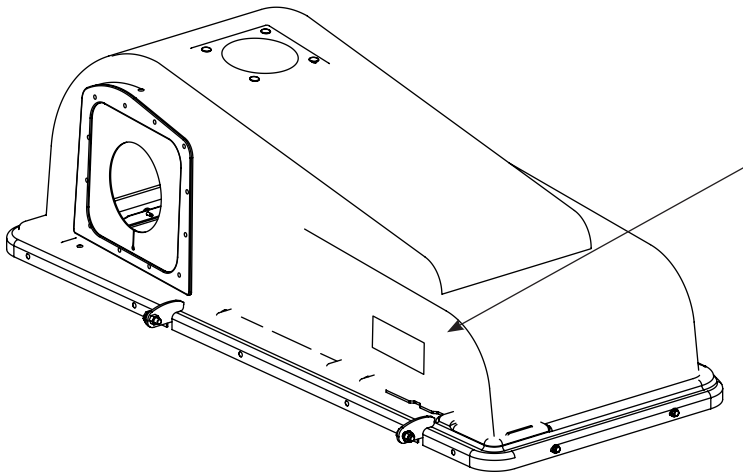
This Operator's Manual is an important part of your new grass collector. It will help you assemble, prepare and maintain the unit for best performance. Please read and understand what it says.

Finding and Recording Model Number

BEFORE YOU START ASSEMBLING YOUR NEW EQUIPMENT,

please locate the model plate and copy the information from it in this Operator's Manual for future reference. The information on the model plate is very important if you need help from our Customer Support Department or your authorized dealer.

You can locate it by looking on the front, left portion of the plastic grass catcher cover as seen below:



Model Number

Serial Number

Cub Cadet
www.cubcadet.com

CUB CADET LLC
P. O. BOX 361131
CLEVELAND, OH 44136
DEALER LOCATOR PHONE NUMBER: 877-282-8684

*Locate the model plate on your bagger and copy the information from it in the space provided above for future reference.

Customer Support

Please do **NOT** return the unit to the retailer from which it was purchased, without first contacting Customer Support.

If you have difficulty assembling this product or have any questions regarding the controls, operation, or maintenance of this unit, you can seek help from the experts. Choose from the options below:

- Visit **www.cubcadet.com** for many useful suggestions. Click on the Customer Service link and you will get several options to help in answering your questions. Click on the appropriate button and help is immediately available.
- Phone our **Customer Dealer Referral Line**, to find a dealer nearest you, at 1(877) 282-8684.

To The Owner

The Model 19A70001000 Twin Bag Grass Collector is a grass collection system specifically designed for use on Cub Cadet I-1000 Series lawn tractors equipped with a 42-inch timed mowing deck.

Carefully read all sections and study the illustrations to ensure proper installation and usage of this attachment. Read and observe all **WARNING** and **CAUTION** statements. They are included to provide for the protection of the equipment installer and user, and to ensure the prolonged service life of the equipment.

NOTE: References to LEFT and RIGHT indicate the left and right sides of the tractor when facing forward in the operator's position. Reference to the FRONT indicates the grille end; to the REAR, the rear end of the tractor.

NOTES

Use this page to make notes and write down important information.

2

Carton Contents



If you are missing any parts, call the Customer Dealer Referral Line at 1-877-282-8684, or visit www.cubcadet.com to find the nearest Cub Cadet service dealer in your area.

CONTENTS OF CARTON

Before beginning installation, remove all parts from the carton to make sure everything is present. Carton contents are listed below and shown in Figure 2-1.

- One Chute Tube
- One Discharge Chute Assembly
- Two Grass Bag Assemblies
- One Support Tube
- One Grass Catcher Cover Assembly
- Two Mounting Brackets
- One Cross-Support Bracket
- Two Bracket Supports
- One Catcher Support

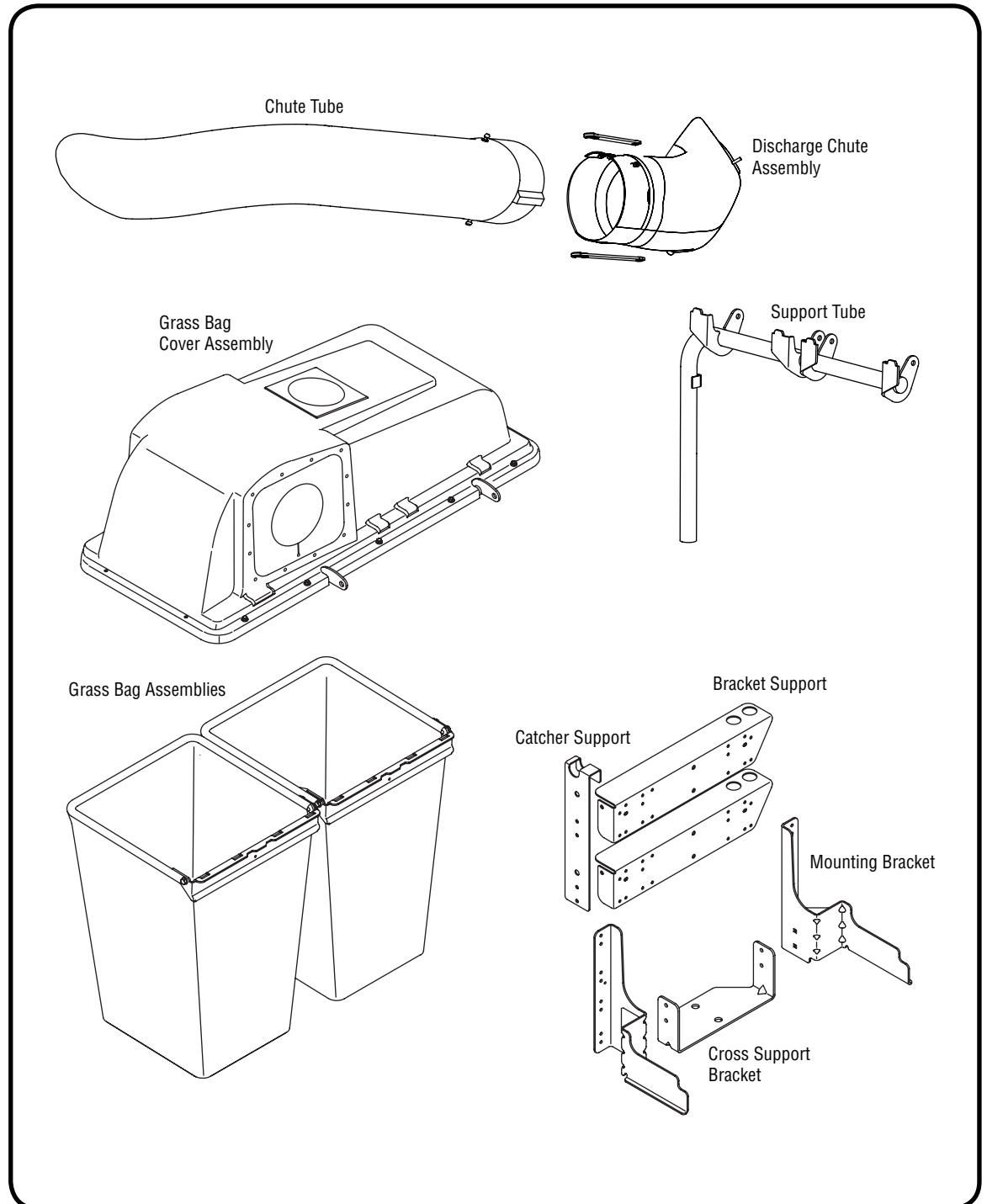


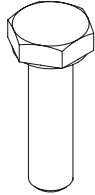
Figure 2-1

CONTENTS OF HARDWARE PACK

This grass collector kit is shipped with a hardware pack enclosed. Please check your hardware pack against the illustration below.

Group A

Assembling and Attaching Mounting Bracket



Hex Bolt
5/16-18 x .750 (6)



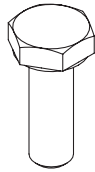
Clevis Pin (1)



Flange Lock Nut
5/16-18 (6)



Hairpin Clip (1)



Hex Bolt
1/4-20 x .620 (8)



Flange Lock Nut
1/4-20 (8)

Figure 2-2

2

Carton Contents



If you are missing any parts, call the Customer Dealer Referral Line at 1-877-282-8684, or visit www.cubcadet.com to find the nearest Cub Cadet service dealer in your area.

3

Assembling and Attaching Mounting Bracket



IMPORTANT:
Before assembly, place the tractor on a firm, level surface, disengage the PTO, stop the tractor engine and set the parking brake.

NOTE:
There are two holes in the clevis pin. Be sure to insert the hairpin clip in the upper hole to properly secure the bracket assembly to the hitch plate.

Assembling and Attaching The Bracket Assembly (Hardware Group A)

IMPORTANT: Before assembly, place the tractor on a firm, level surface, disengage the PTO, stop the tractor engine and set the parking brake.

1. Assemble the mounting bracket assembly as shown in Figure 3-1.

NOTE: The mounting bracket assembly may have been preassembled at the factory, if this is the case, skip Step 1 and proceed to Step 2.

2. For convenience, pivot the seat forward and leave it in that position until the grass collector is fully mounted and assembled.
3. Position the bracket assembly to the outside of the hitch plate. See Figure 3-2.
4. Push the hooked ends of the bracket assembly in (A) and under the shoulder bolts (B) and swing in the bottom down over the hitch plate aligning with the hole on the hitch plate (C). See Figure 3-3.
5. Insert the clevis pin through the aligned holes in both the bracket assembly and the hitch plate and secure with the hairpin clip. Refer to Figure 3-4.

NOTE: There are two holes in the clevis pin. Be sure to insert the hairpin clip in the upper hole to properly secure the bracket assembly to the hitch plate.

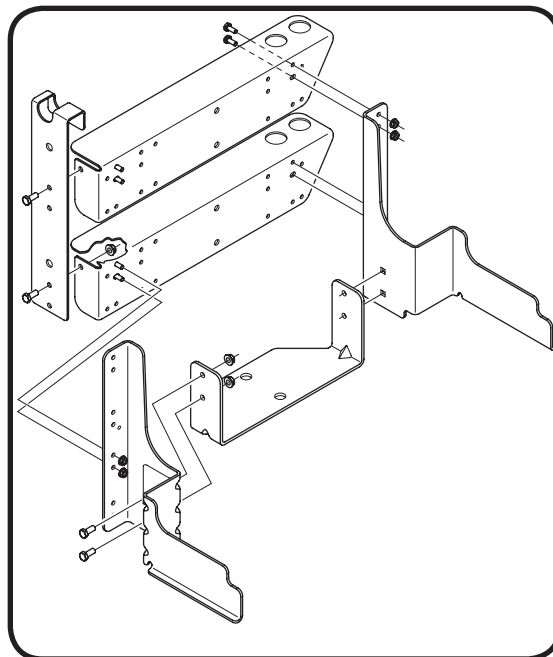


Figure 3-1

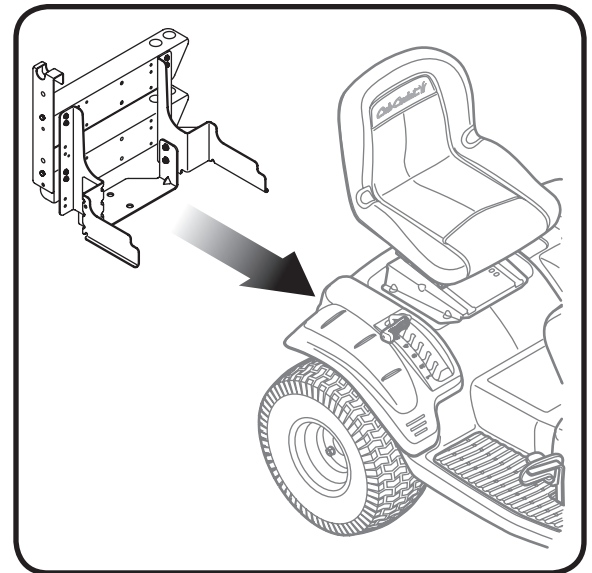


Figure 3-2

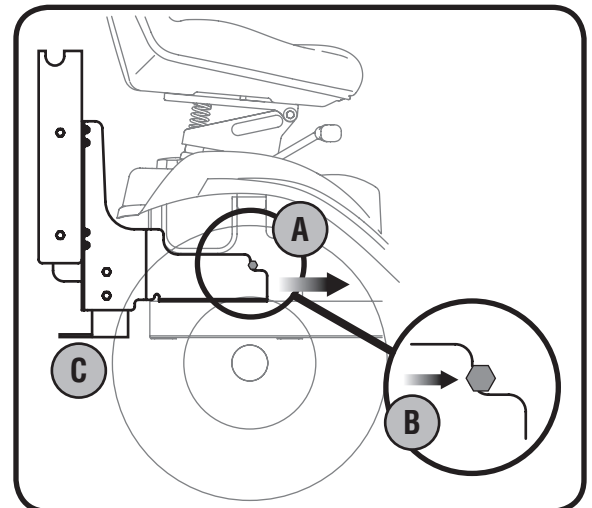


Figure 3-3

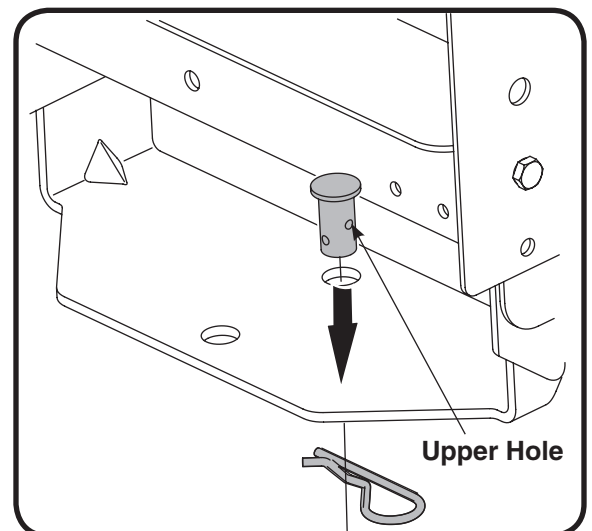


Figure 3-4

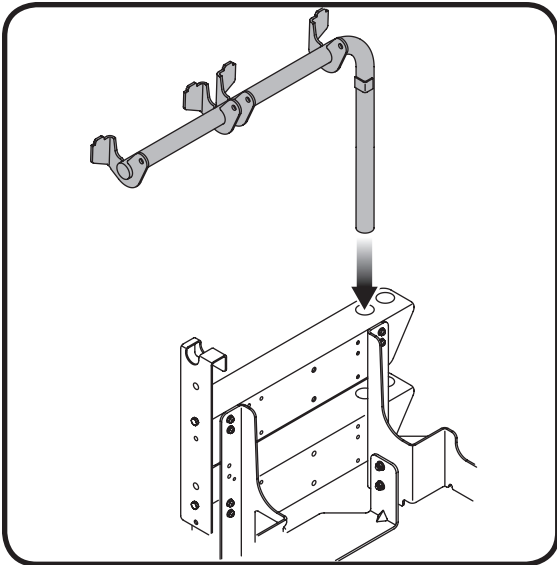


Figure 4-1

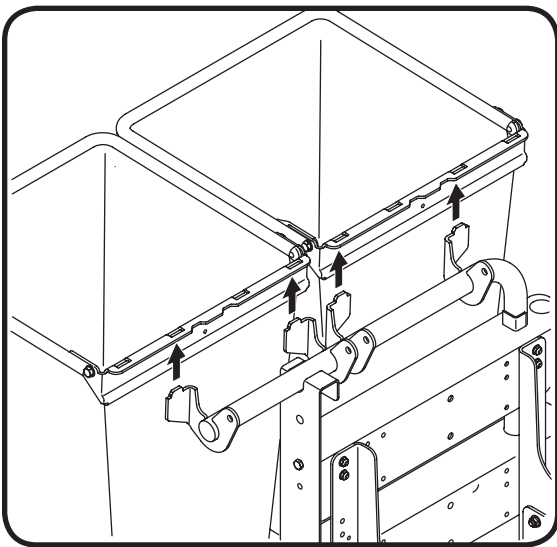


Figure 4-2

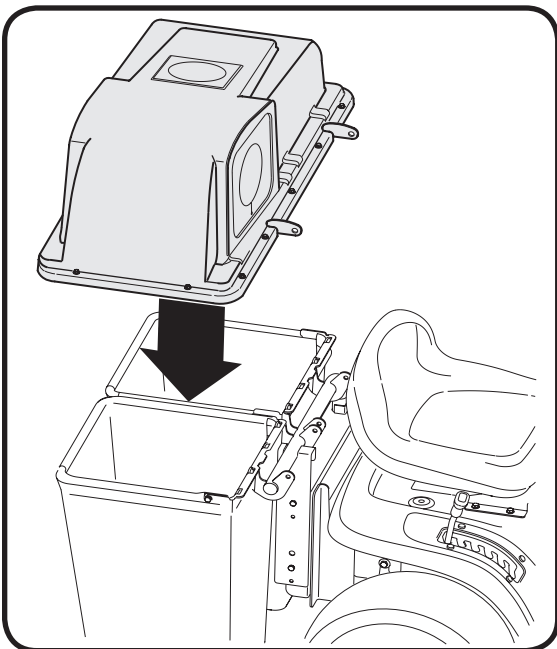


Figure 4-3

Attaching Grass Bags & Grass Bag Cover

1. Place the support tube in position on the rear of unit by sliding the support tube down through the holes in the left side of the bracket assembly. Use the inside hole on the bracket assembly. Refer to Figure 4-1.
2. Attach the grass bags by hooking them onto the grass bag bracket using the slots in the grass bag and the tabs on the grass bag bracket as shown in Figure 4-2.
3. Remove the clevis pins, belleville washers, and hairpin clips, from the hinge brackets on the grass bag cover.
4. Place the grass bag cover on top of the grass bags and align the holes on the hinges of the grass bag cover with the corresponding holes on the support tube assembly. See Figure 4-3.
5. Insert the clevis pin through the hinge on the support tube assembly and then through the grass bag cover. See Figure 4-4.
6. Secure with belleville washer and hairpin clip with the crown side of the washer going against the hairpin clip. See inset images in Figure 4-4.
7. Repeat with the second set of hardware through the second hinge of the grass bag and the tube assembly from the opposite direction.

NOTE: Insert the clevis pins from the outside in as shown in the inset images of Figure 4-4. It is very important to maintain this order and direction while installing these hardware pieces. After installation, make sure that the grass bag cover pivots on the support tube and opens.

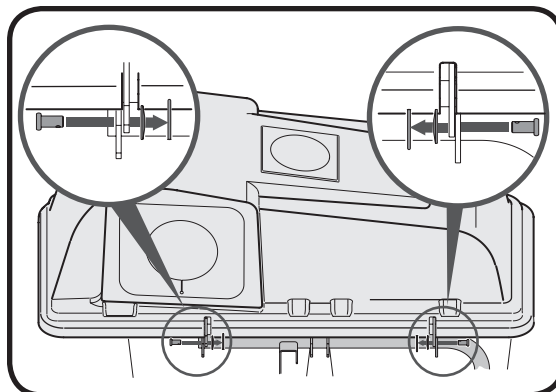


Figure 4-4

4

Attaching Grass Bags & Grass Bag Cover



NOTE:
Insert the clevis pins from the outside in as shown in the inset images of Figure 4-4.

NOTE:
It is very important to maintain this order and direction while installing these hardware pieces. After installation, make sure that the grass bag cover pivots on the support tube and opens.

5

Attaching Discharge Chute & Bagger Usage

Attaching Discharge Chute

1. Lower the deck to its lowest position.
2. Raise the chute deflector on the deck (A) and hold it while you position the discharge chute over the chute opening. See Fig. 5-1.
3. Insert the pin (B) on the discharge chute into the hole on the deck as indicated by the arrow in Fig. 5-1.
4. Push down on the discharge chute so that it covers the opening of the deck completely.
5. Lock the discharge chute in position by stretching the retainer strap over the front deck wheel bracket and hooking onto the bottom of the bracket as seen in the inset (D) in Fig. 5-1.
6. Insert the curved end of chute tube into the hole in the grass bag cover. See Fig. 5-2.
7. Place the lower end of the chute tube over the discharge chute so that the tabs on the discharge chute fits into the pockets on the chute tube. See Fig. 5-3.
8. Secure by hooking the two retainer straps of the discharge chute to the pins on the chute tube. See Fig. 5-3.

Bagger Usage

NOTE: When both grass bags are full, place the tractor on a firm, level surface, disengage the PTO, turn the tractor engine off and set the parking brake.

1. Flip Seat up.
2. Lift up grass bag cover. Do not remove the chute tube assembly from the tractor.
3. Remove the grass bags by lifting these up and moving the bags away from the support tube assembly.
4. Empty the grass clippings at a proper disposal sight, use the handle at the bottom of each grass bag. Holding the bag firmly, empty the contents
5. Replace grass bags, close lid, flip down seat, restart your tractor and resume cutting your grass.

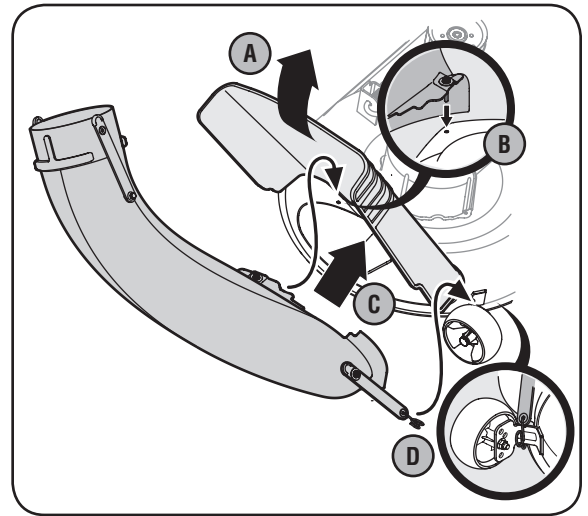


Figure 5-1

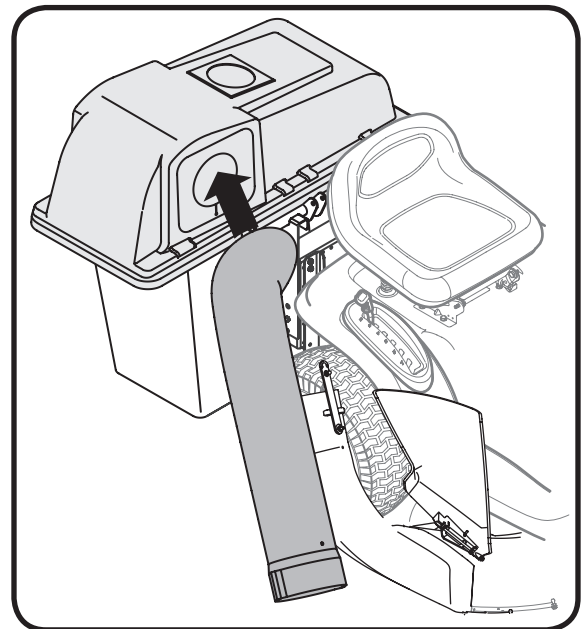


Figure 5-2

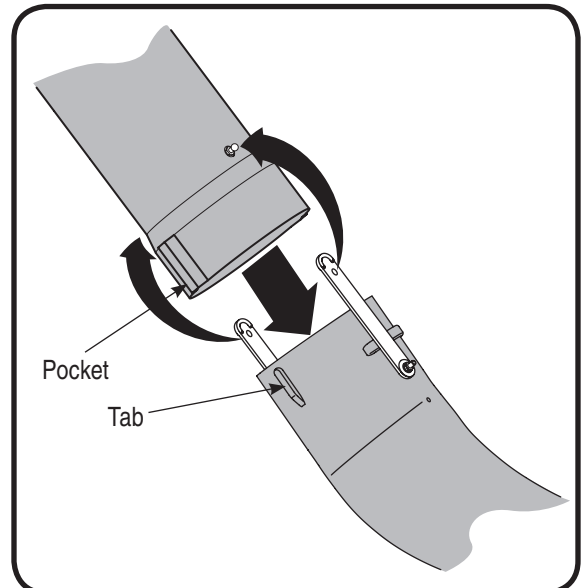
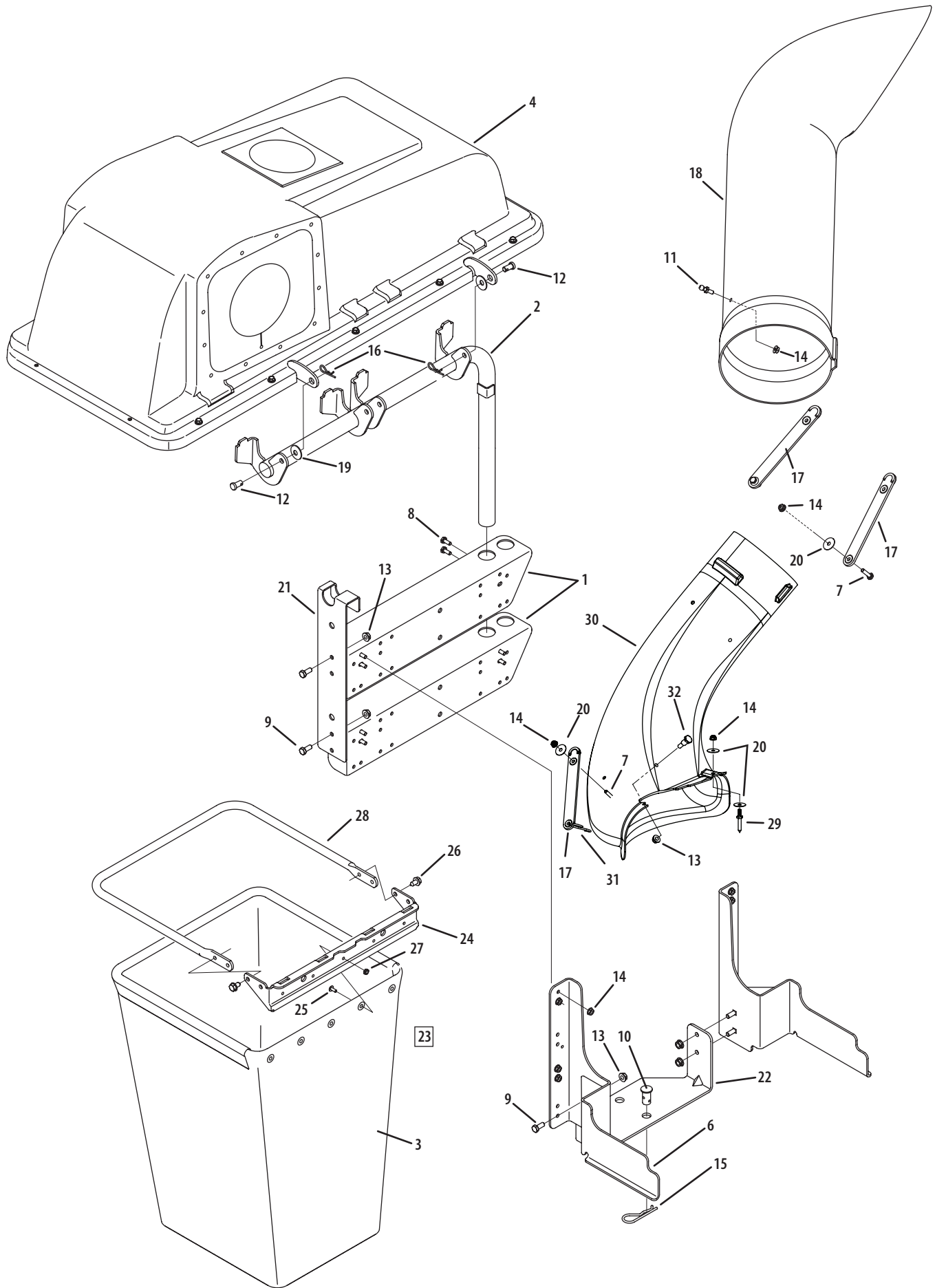


Figure 5-3

6

NOTES

Use this page to take notes and write down important information.



8

Illustrated Parts List



To order replacement parts, call the Customer Dealer Referral Line at 1-877-282-8684, or visit www.cubcadet.com to find the nearest Cub Cadet service dealer in your area.

REF NO.	PART NUMBER	DESCRIPTION
1	16587D	Bracket Support
2	16592	Support Tube Assembly
3	764-0221	Catcher Bag
4	664-04017	Grass catcher Cover Assembly
5	683-04348	Mounting Bracket - RH
6	683-04350	Mounting Bracket - LH
7	710-0597	Screw 1/4-20 x 1"
8	710-0751	Hex Screw 1/4-20 x0.620
9	710-3008	Hex Screw 5/16-18 x 0.75"
10	711-0309A	Clevis Pin
11	711-04069	Grass catcher Pin
12	711-1421	Clevis Pin
13	712-04063	Flange Lock Nut, 5/16-18
14	712-04064	Flange Lock Nut, 1/4-20
15	714-0117	Hairpin Clip
16	714-0145	Click Pin
17	723-04008A	Chute Strap - 6"
18	731-0899E	Catcher Tube
19	736-0331	Bell Washer
20	736-3092	Flat Washer
21	783-0601	Catcher Support Bracket
22	783-0765	Cross Support Bracket
23	864-0221	Grass Bag Assy.
24	16591A	Bag Hanger Bracket
25	710-0473	Machine Screw, #10-24 x .5
26	710-0604A	Self-Tapping Screw 5/16-18
27	712-0272	Hex Sems Nut, #10-24
28	749-0701A	Grass Bag Frame
29	711-05008	Belt Pin Guard, 1/4 x 1.43
30	731-06099	Chute Elbow, 42" Timing Deck
31	732-04510	Spring Hook
32	738-0754	Shoulder Screw, .437 x .54

**CUB CADET LLC
MANUFACTURER'S LIMITED WARRANTY
FOR SEPARATELY SOLD ATTACHMENTS AND ACCESSORIES**

IMPORTANT: To obtain warranty coverage owner may be required to present an original proof of purchase and applicable maintenance records to the servicing dealer. Please see the operator's manual for information on required maintenance and service intervals.

The limited warranty set forth below is given by Cub Cadet LLC with respect to new merchandise purchased or leased and used in the United States and/or its territories and possessions, and by MTD Products Limited with respect to new merchandise purchased or leased and used in Canada and/or its territories and possessions (either entity respectively, "Cub Cadet").

Cub Cadet warrants this product (excluding its *Normal Wear Parts*, as described below) against defects in material and workmanship for a period of three (2) years commencing on the date of original retail purchase or lease and will, at its option, repair or replace, free of charge, any part found to be defective in materials or workmanship.

Normal Wear Parts are warranted to be free from defects in material and workmanship for a period of thirty (30) days from the date of original purchase or lease. Normal wear parts include, but are not limited to items such as: belts, blades, blade adapters, grass bags, rider deck wheels, seats, and tires.

This limited warranty shall only apply if this product has been operated and maintained in accordance with the Operator's Manual furnished with the product, and has not been subject to misuse, abuse, neglect, accident, improper maintenance, alteration, vandalism, theft, fire, water, or damage because of other peril or natural disaster. Damage resulting from the installation or use of any part, accessory or attachment not approved by Cub Cadet for use with the product(s) covered by this manual will void your warranty as to any resulting damage. In addition, Cub Cadet may deny warranty coverage if the hour meter, or any part thereof, is altered, modified, disconnected or otherwise tampered with.

HOW TO OBTAIN SERVICE: Warranty service is available, WITH PROOF OF PURCHASE AND APPLICABLE MAINTENANCE RECORDS, through your local authorized service dealer. To locate the dealer in your area:

In the U.S.A.:

Check your Yellow Pages, or contact Cub Cadet LLC at P.O. Box 361131, Cleveland, Ohio 44136-0019, call 1-877-282- 8684 or log on to our website at www.cubcadet.com.

In Canada:

Contact MTD Products Limited, Kitchener, ON N2G 4J1, call 1-800-668-1238 or log on to our website at www.mtdcanada.com.

Without limiting the foregoing, this limited warranty does not provide coverage in the following cases:

- a. Routine maintenance items such as lubricants, filters, blade sharpening, tune-ups, brake adjustments, clutch adjustments, deck adjustments, and normal deterioration of the exterior finish due to use or exposure.
- b. Service completed by someone other than an authorized service dealer.
- c. Cub Cadet does not extend any warranty for products sold or exported outside of the United States and/or Canada, and their respective possessions and territories, except those sold through Cub Cadet's authorized channels of export distribution.
- d. Replacement parts and/or accessories that are not genuine Cub Cadet parts.
- e. Transportation charges and service calls.
- f. Commercial or Institutional Use.

There are no implied warranties, including without limitation any implied warranty of merchantability or fitness for a particular purpose. No warranties shall apply after the applicable period of express written warranty above. No other express warranties beyond those mentioned above, given by any person or entity, including a dealer or retailer, with respect to any product, shall bind Cub Cadet. The exclusive remedy is repair or replacement of the product as set forth above. The terms of this warranty provide the sole and exclusive remedy arising from the sale and/or lease of the products covered hereby. Cub Cadet shall not be liable for any incidental or consequential loss or damage including, without limitation, expenses incurred for substitute or replacement lawn care services or for rental expenses to temporarily replace a warranted product.

Some jurisdictions do not allow the exclusion or limitation of incidental or consequential damages, or limitations on how long an implied warranty lasts, so the above exclusions or limitations may not apply to you.

In no event shall recovery of any kind be greater than the amount of the purchase price of the product sold. **Alteration of safety features of the product shall void this warranty.** You assume the risk and liability for loss, damage, or injury to you and your property and/or to others and their property arising out of the misuse or inability to use the product.

This limited warranty shall not extend to anyone other than the original purchaser or to the person for whom it was purchased as a gift.

HOW LOCAL LAWS RELATE TO THIS WARRANTY: This limited warranty gives you specific legal rights, and you may also have other rights that vary in different jurisdictions.

**Cub Cadet LLC, P.O. BOX 361131 CLEVELAND, OHIO 44136-0019, Phone: 1-877-282-8684
MTD Products Limited, Kitchener, ON N2G 4J1, Phone: 1-800-668-1238**

Free Manuals Download Website

<http://myh66.com>

<http://usermanuals.us>

<http://www.somanuals.com>

<http://www.4manuals.cc>

<http://www.manual-lib.com>

<http://www.404manual.com>

<http://www.luxmanual.com>

<http://aubethermostatmanual.com>

Golf course search by state

<http://golfingnear.com>

Email search by domain

<http://emailbydomain.com>

Auto manuals search

<http://auto.somanuals.com>

TV manuals search

<http://tv.somanuals.com>