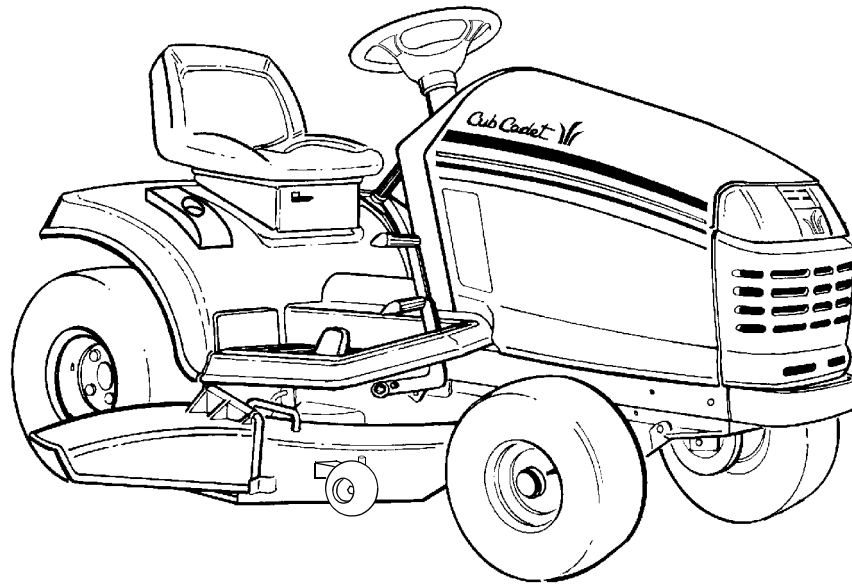


# *Cub Cadet* ®

## Parts Manual



### **SERIES 2000**

### **TRACTOR**

### **Model Number**

### **LT 2138**

**CUB CADET LLC P.O. BOX 361131 CLEVELAND, OHIO 44136-0019 [www.cubcadet.com]**

PRINTED IN U.S.A.

FORM NO. 770-10283F  
(11/03)

## MODEL LT2138

### TABLE OF CONTENTS

DESCRIPTION	PAGE	DESCRIPTION	PAGE
Axle, Front .....	40	Engine Mounting .....	20
Battery .....	16	Fender .....	32
Brakes .....	4	Frame .....	18
Bulkhead .....	15	Fuel Tank .....	19
Controls		Grille .....	30
Engine .....	15	Hood .....	30
Pedal .....	4	Hydraulic Filter .....	14
Transmission .....	8	Hydraulic Linkage .....	14
Dash Panel .....	15	Hydrostatic Pump, Model BDU-10L-225 .....	12
Drawbar .....	18	Implement Lift Handle .....	34
Drive Line .....	9	Implement Lift Hanger .....	35
Electrical		Mower Deck.....	36
Switches .....	16	Muffler .....	20
Wiring .....	16	PTO Clutch .....	19
Engine		Running Board .....	32
Air Filter .....	25	Seat .....	3
Blower Housing .....	24	Side Panels .....	30
Breather .....	22	Steering .....	6
Carburetor .....	26	Transmission, Hydro .....	10
Controls .....	27	Wheels, Front & Rear .....	40
Crankcase .....	21		
Crankshaft .....	24		
Cylinder Head .....	22		
Electrical .....	29		
Exhaust.....	24		
Flywheel .....	29		
Fuel System .....	26		
Oil Pan .....	23		
Starter .....	28		
Valves .....	22		

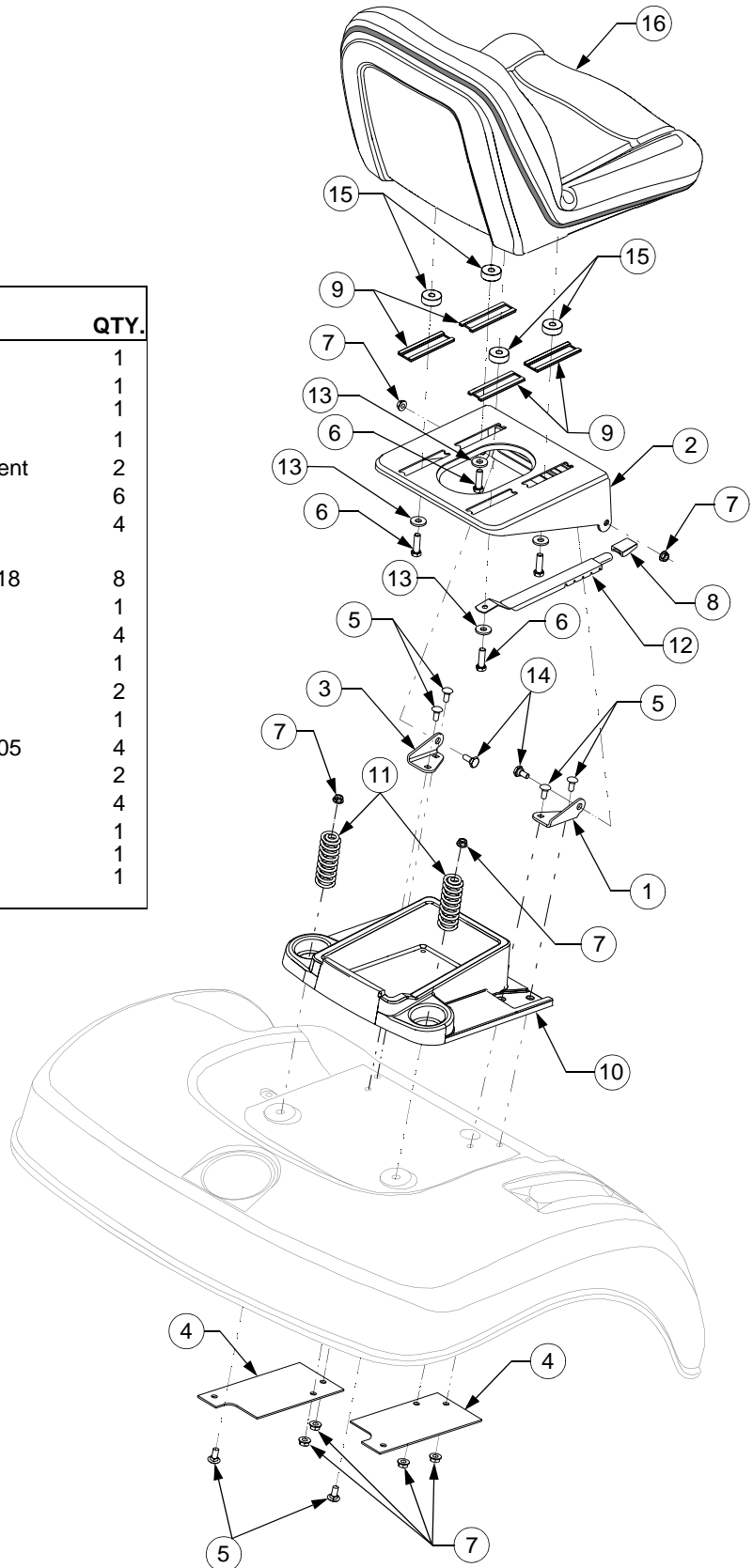
**NOTE:** For **painted parts**, please refer to the list of color codes below. Please add the applicable color code, wherever needed, to the part number to order a replacement part.

For instance, if a part, numbered 700-xxxx, is painted Cub Yellow, the part number to order would be 700-xxxx-0716.

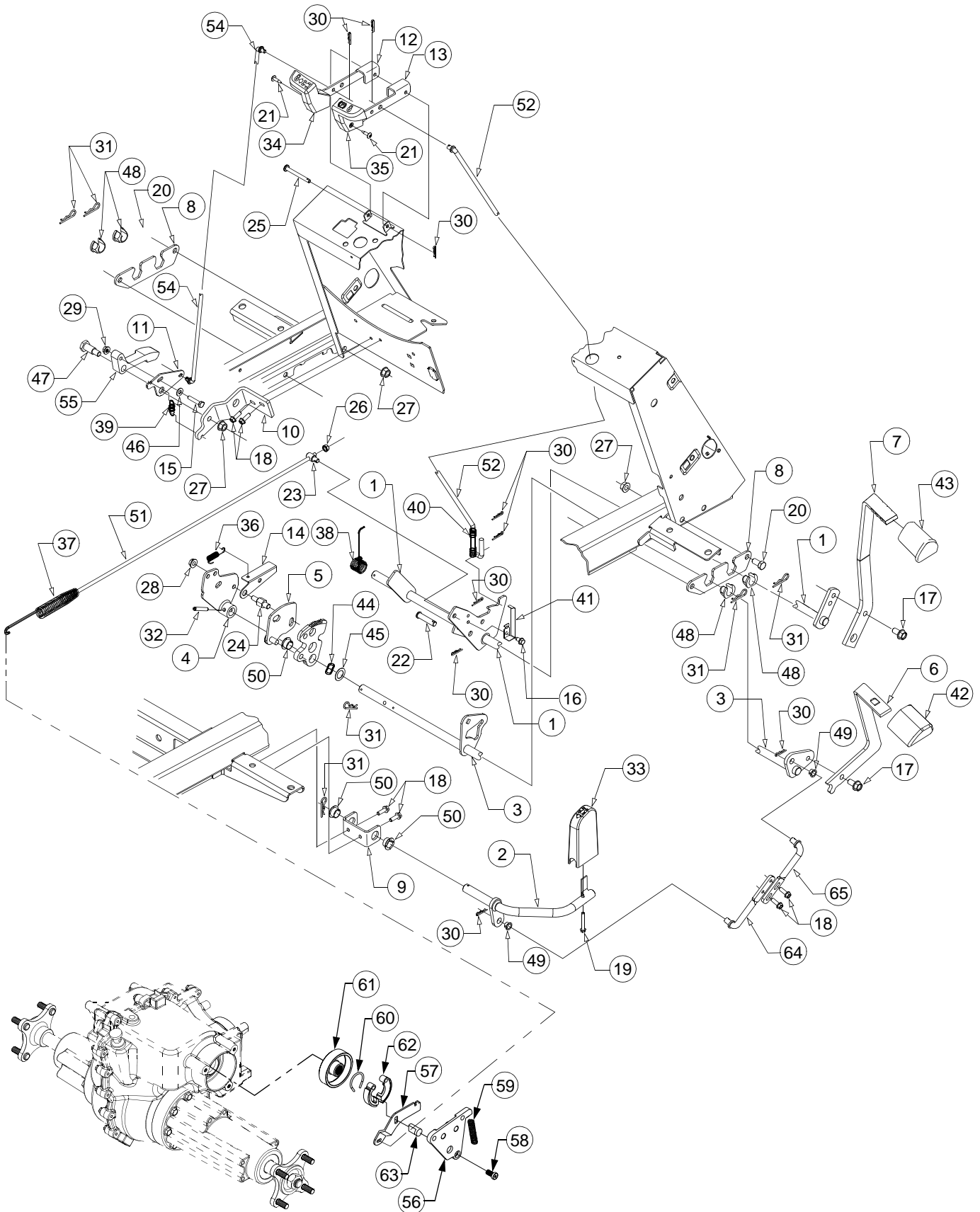
Cub Yellow: 0716  
Cub Beige: 0499  
Cub Blue: 0685  
Powder Black: 0637

## SEAT AND SUPPORT

REF. NO.	PART NUMBER	DESCRIPTION	QTY.
1	703-2394	Bracket, RH Seat Pivot	1
2	703-2395A	Seat, Base	1
	777I20310	Graphic, Seat Adjuster	1
3	703-2477	Bracket, LH Seat Pivot	1
4	703-2628	Bracket, Fender Reinforcement	2
5	710-0451	Bolt, Carriage, 5/16-18 x .75	6
6	710-3123	Screw, Hx Cap Lock, 3/8-16 x 1.25 GR5	4
7	712-04054	Nut, Hex Flange Lock, 5/16-18	8
8	720-0190	Knob, Seat Adjuster	1
9	731-3154	Slide, Seat	4
10	731-3162	Tray, Tool	1
11	732-3080A	Spring, Comp, 1.9 OD x 2.4	2
12	732-04100	Index Spring, Seat Adjuster	1
13	736-3052	Washer, Flat, .406 x 1.0 x .105	4
14	738-0140	Bolt, Shoulder	2
15	738-04013A	Spacer, Seat Slide Shoulder	4
16	757-04005	Seat, High Back	1
	777D06883	Graphic, Seat Back	1
	777D01782	Graphic, Made in USA	1



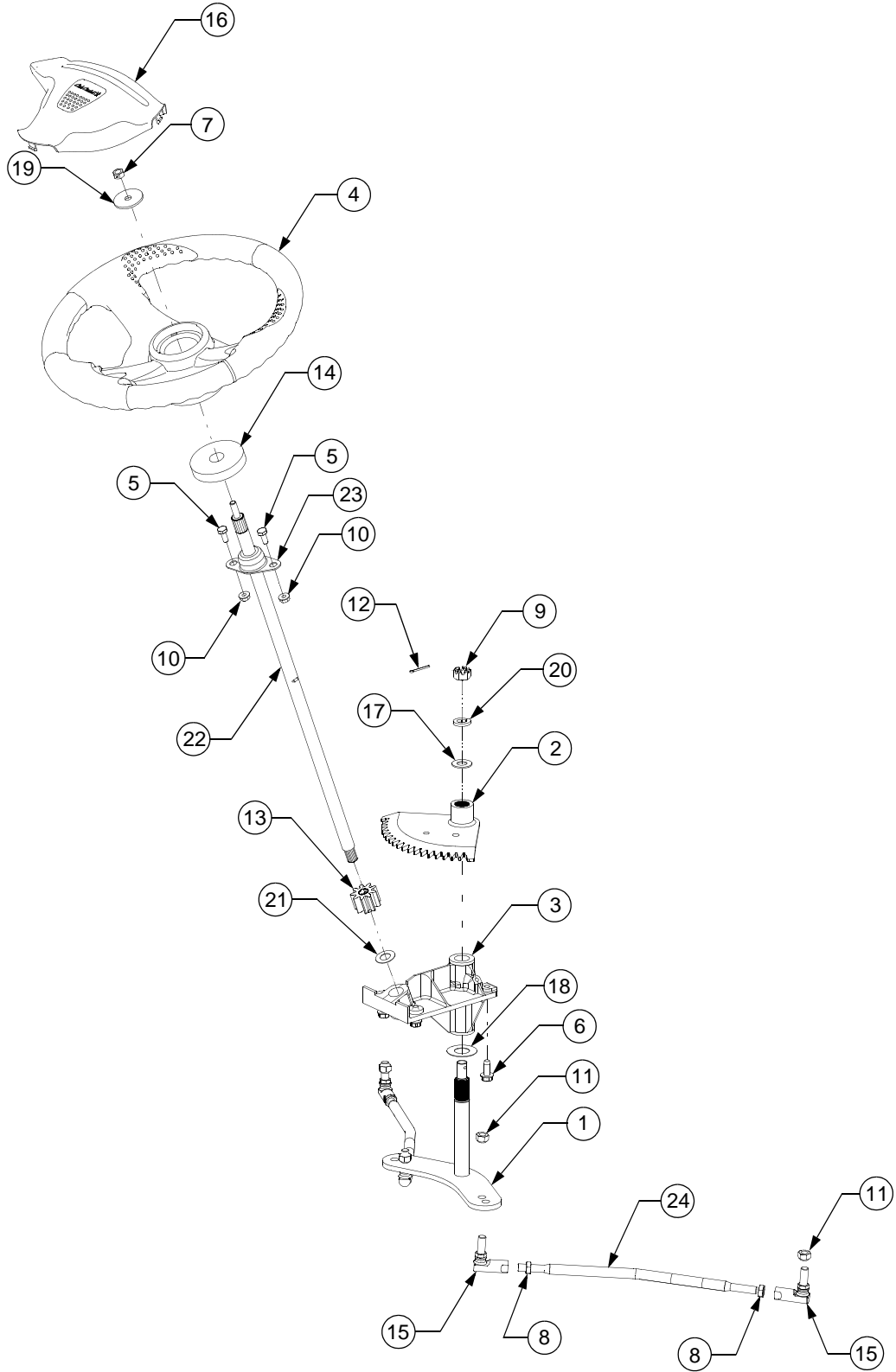
# BRAKE AND CONTROL PEDALS



## BRAKE AND CONTROL PEDALS

REF. NO.	PART NUMBER	DESCRIPTION	QTY.	REF. NO.	PART NUMBER	DESCRIPTION	QTY.
1	603-0321A	Shaft Assy, Brake	1	33	731-3205	Pedal, Reverse	1
2	603-0412	Pedal Assy, Reverse	1	34	731-3206	Knob, Cruise	1
3	603-0697	Shaft Assy, Forward/Reverse	1	35	731-3207	Knob, Brake Lock	1
4	603-0419	Cam Assy, Control	1	36	732-0418	Spring, Extension, .38 OD x 2.1	1
5	603-0421A	Plate Assy, Disengagement	1	37	732-0463A	Spring, Extension	1
6	703-2570A	Pedal, Forward	1	38	732-0756A	Spring, Torsion	1
7	703-2573A	Pedal, Brake	1	39	732-04006	Spring, Extension, .6 OD x 1.34	1
8	703-2804	Plate, Bearing Mounting	2	40	732-3099	Spring, Compression, .50 x 2.23	1
9	703-2938	Bracket, Reverse Pivot	1	41	732-3117	Spring, Switch Actuator	1
10	703-2941	Bracket, Cruise	1	42	735-3048	Pad, Forward Foot Control	1
11	703-2942	Plate, Rod Adjustment	1	43	735-3049	Pad, Brake Foot	1
12	703-2962	Lever, Cruise	1	44	736-0174	Washer, Wave, .625 x .885 x .015	1
13	703-2963	Lever, Brake Lock	1	45	736-0349	Washer, Flat, .635 x 1.0 x .020	1
14	703-2965	Actuator, Reverse Switch	1	46	736-0463	Washer, Flat, 1/4 x .63 x .051	1
15	710-0106	Screw, Hex Cap, 1/4-20 x 1.25	1	47	738-0145	Shoulder Bolt, .50 OD x .840	1
16	710-0599	Screw, Hex Wash Hd Tapp 1/4-20 x .5	1	48	741-3065B	Bearing, Hex Flange Split	4
17	710-0623	Screw, Hex Wash Hd Tapp 3/8-16x .75	2	49	741-3073	Bearing, Flange, .375 x .58 x .25	2
18	710-0642	Screw, Hex Wash Hd Tapp 1/4-20x .75	6	50	741-3074	Bearing, Flange, .626 x .93 x .344	3
19	710-0796	Screw, Truss Mach, #12 x 1.5	1	51	747-3216	Rod, Brake	1
20	710-0216	Screw, Hex Cap, 3/8-16 x .75 GR5	2	52	747-3219	Rod, Parking Brake	1
21	710-3009	Screw, Phil Hd Pan, #10-24 x .75	2	54	747-3307	Rod, Cruise	1
22	711-0415	Pin, Clevis, 3/8 x 1.62	1	55	748-3060	Latch, Cruise	1
23	711-0736	Ferrule, Adjustment, 1/4-20 Thrd	1	56	618-3060	Plate, Brake	1
24	711-1138	Stud, Actuator	1	57	703-2191	Arm, Brake	1
25	711-3295	Pin, Clevis, .25 x 2.38	1	58	710-3262	Screw, Low Hd Cap, 3/8-16 x .75	1
26	712-0271	Nut, Hex Sems, 1/4-20	1	59	732-0152	Spring, Compression	1
27	712-0431	Nut, Hex Flange Lock, 3/8-16	3	60	732-3077	Spring, Brake	1
28	712-3004A	Nut, Hex Flange Lock, 5/16-18	1	61	761-3019	Drum, Brake	1
29	712-3027	Nut, Hex Flange Lock, 1/4-20	1	62	761-3020	Shoe, Brake	1
30	714-0104	Pin, Internal Cotter, 5/16 Dia x 1.12	9	63	761-3028	Actuator, Brake Shoe	1
31	714-0145	Pin, Internal Cotter, 3/8 Dia x 1.62	6	64	747-3341A	Rod, Rear Connecting	1
32	715-0114	Pin, Spiral Spring, 1/4 x 1.5	1	65	747-3383	Rod, Front Connecting	1

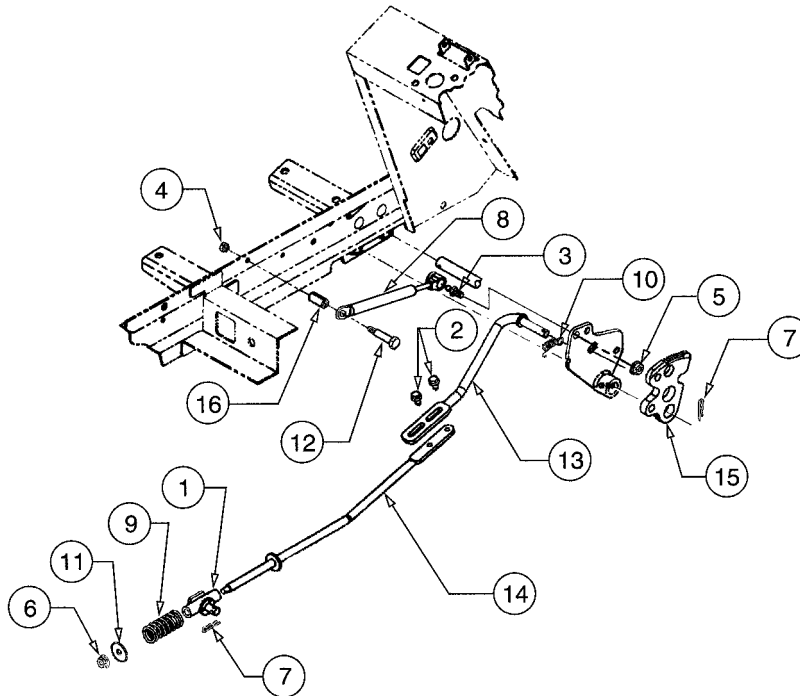
# STEERING



## STEERING

REF. NO.	PART NUMBER	DESCRIPTION	QTY.
1	603-0064	Arm Assy, Lower Steering	1
2	603-0250	Segment Assy, 18T Steering	1
3	619-04079	Housing Assy,	1
	737-3000	Fitting, Grease, 3/16 Drive Type	1
	748-0108	Bearing, Flange, .503 ID	1
	748-3007A	Bearing, Bronze Flange, .75 ID	2
4	631-04008	Wheel, Steering, Soft Grip	1
5	710-0751	Screw, Hex Cap, 1/4 - 20 x .62, GR5	2
6	710-1260A	Screw, Hex Wash. Hd. Tapp 5/16 - 18 x .75	4
7	712-0237	Nut, Hex Center Lock, 5/16-18	1
8	712-0711	Nut, Hex Jam, 3/8-24 GR2	4
9	712-3012	Nut, Hex Slotted, 1/2-20 GR5	1
10	712-3027	Nut, Hex Flange Lock, 1/4-20	2
11	712-3054	Nut, Hex Lock, 3/8-24 GR5	4
12	714-3004	Pin, Cotter, 3/32 Dia x 1.25	1
13	717-04086	Pinion, Steering	1
14	722-3019	Gasket, Steering	1
15	723-0156	Joint, Ball, 3/8-24	4
16	731-04532	Cover, Steering Wheel	1
17	736-0272	Washer, Flat, .510 x 1 x .06 Thk	1
18	736-0351	Washer, Flat, .760 x 1.5 x .03 Thk	1
19	736-04062	Washer, Flat, .344 x 1.5 x .1 Thk	1
20	736-0921	Washer, Lock, 1/2	1
21	736-3013	Washer, Flat, .531 x 1 x .027 Thk	1
22	738-04064	Shaft, Steering	1
23	741-3025	Bearing, Flange	1
25	747-3171	Rod, Tie	2

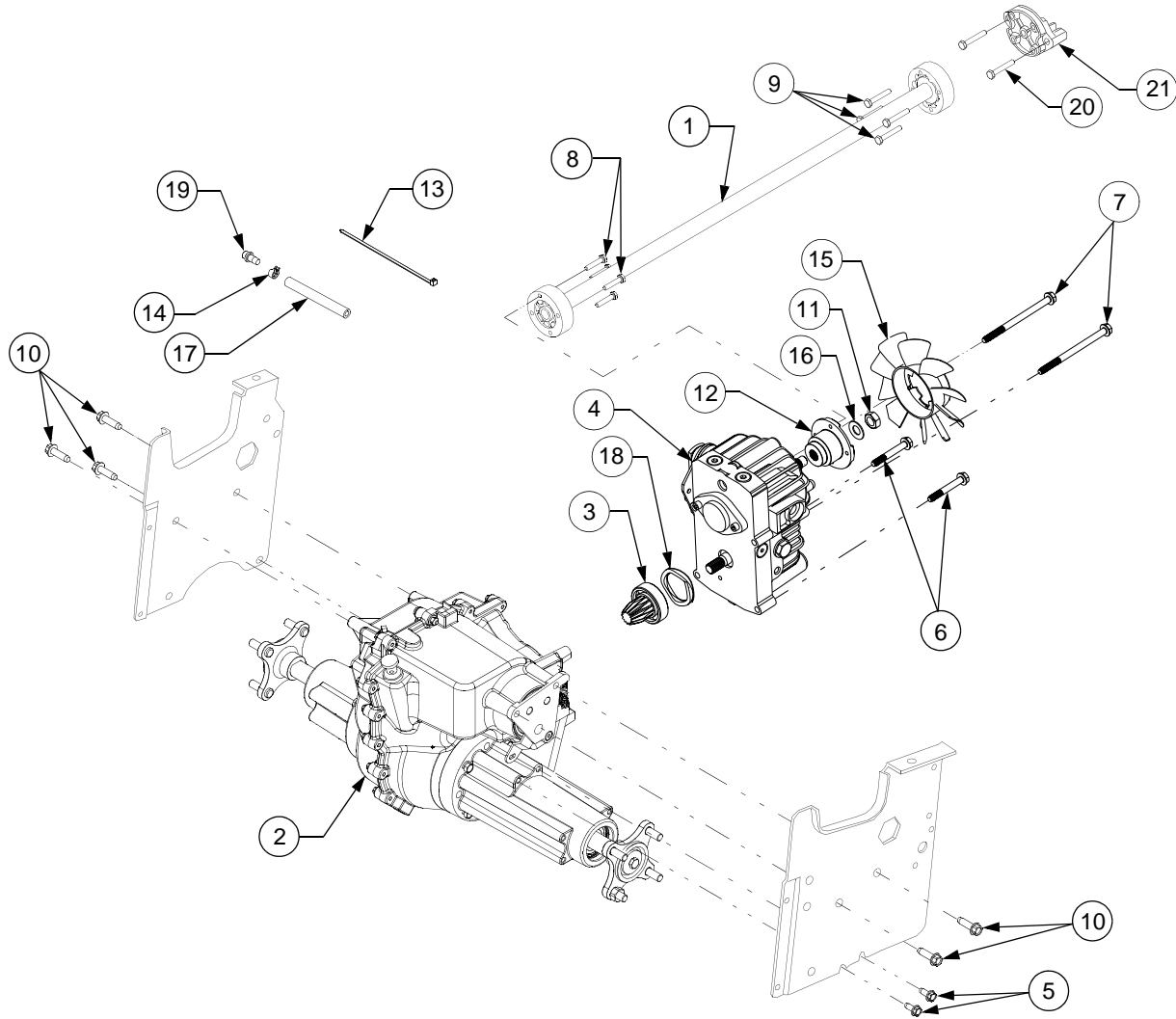
## TRANSMISSION CONTROLS



REF. NO.	PART NUMBER	DESCRIPTION	QTY.
1	603-0272	Pivot Assembly	1
2	710-0599	Screw, Hex Wsh Hd Tapp, 1/4-20 x .5	2
3	710-3170	Screw, Ball, 5/16-18 x.56	1
4	712-0271	Nut, Hex Sems, 1/4-20	1
5	712-3004A	Nut, Hex Flange Lock, 5/16-18 GR5	1
6	712-3027	Nut, Hex Flange Lock, 1/4-20	1
7	714-0104	Pin, Internal Cotter	2
8	727-3090	Cylinder, Damper	1
9	732-3094	Spring, Compression, .63 ID x 2	1
10	732-3118	Spring, Extension, 3/8 OD x 1.44	1
11	736-3092	Washer, Flat, .265 x 1 x .030	1
12	738-0560	Bolt, Shoulder, .374 Dia x 1.375	1
13	747-3304	Rod, Front Control	1
14	747-3309	Rod, Rear Hydro Control	1
15	748-3070	Plate, Cruise	1
16	750-0434	Spacer, Split Tubing, .375 ID x 1.04	1

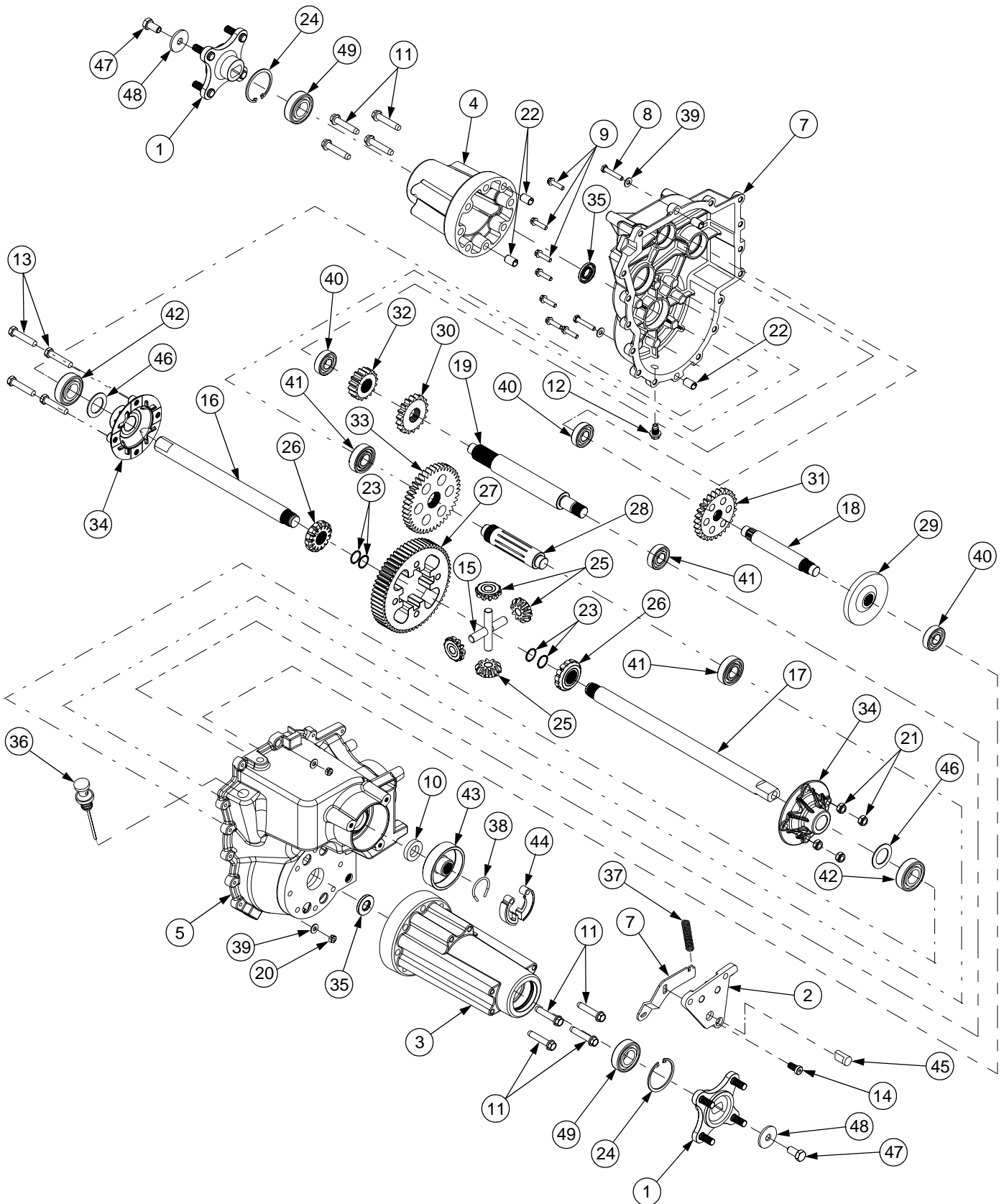


## DRIVE LINE



REF. NO.	PART NUMBER	DESCRIPTION	QTY.	REF. NO.	PART NUMBER	DESCRIPTION	QTY.
1	718-3147 759-3764	Shaft Assembly, Drive, 28.25 Lg Kit, Drive Barrel	1 2	10	710-3290	Screw, Hex Wsh Tap, 3/8-16 x 1.25	5
2	618-04110	Transmission Assembly, Does NOT include wheel hub as- semblies and brake spring	1	11	712-3059	Nut, Hex Top Lock Jam GR5, 1/2-20	1
3	618-3088	Pinion Assembly, Input	1	12	748-3093	Adapter, Pump	1
4	618-3243	Pump, Hydrostatic	1	13	725-0157	Tie, Self-Clinch Cable	1
5	710-1260A	Screw, Hex Wsh Tap, 5/16-18 x .75	2	14	726-0205	Clamp, Hose	1
6	710-3180	Screw, Hex Cap, 5/16-18 x 1.75 GR5	2	15	731-3297	Fan, 10 Blade Cooling	1
7	710-3195	Screw, Hex Cap, 5/16-18 x 4.5 GR5	2	16	736-0253	Washer, Bell, 1/2 ID	1
8	710-1062	Screw, Hex Patch, 1/4-20 x 1.25 GR5	4	17	759-3330	Line, Fuel, 7in (10ft Bulk)	1
9	710-3288	Screw, Hex Patch, 1/4-20 x 1.62 GR5	4	18	736-3099	Washer, Wave, 1.96 x 2.44 x .06	1
				19	737-0296	Vent	1
				20	KH-24-086-16	Screw, Hex Patch, M10-1.50x 90mm	2
				21	719-3096	Adapter, Drive Shaft	1

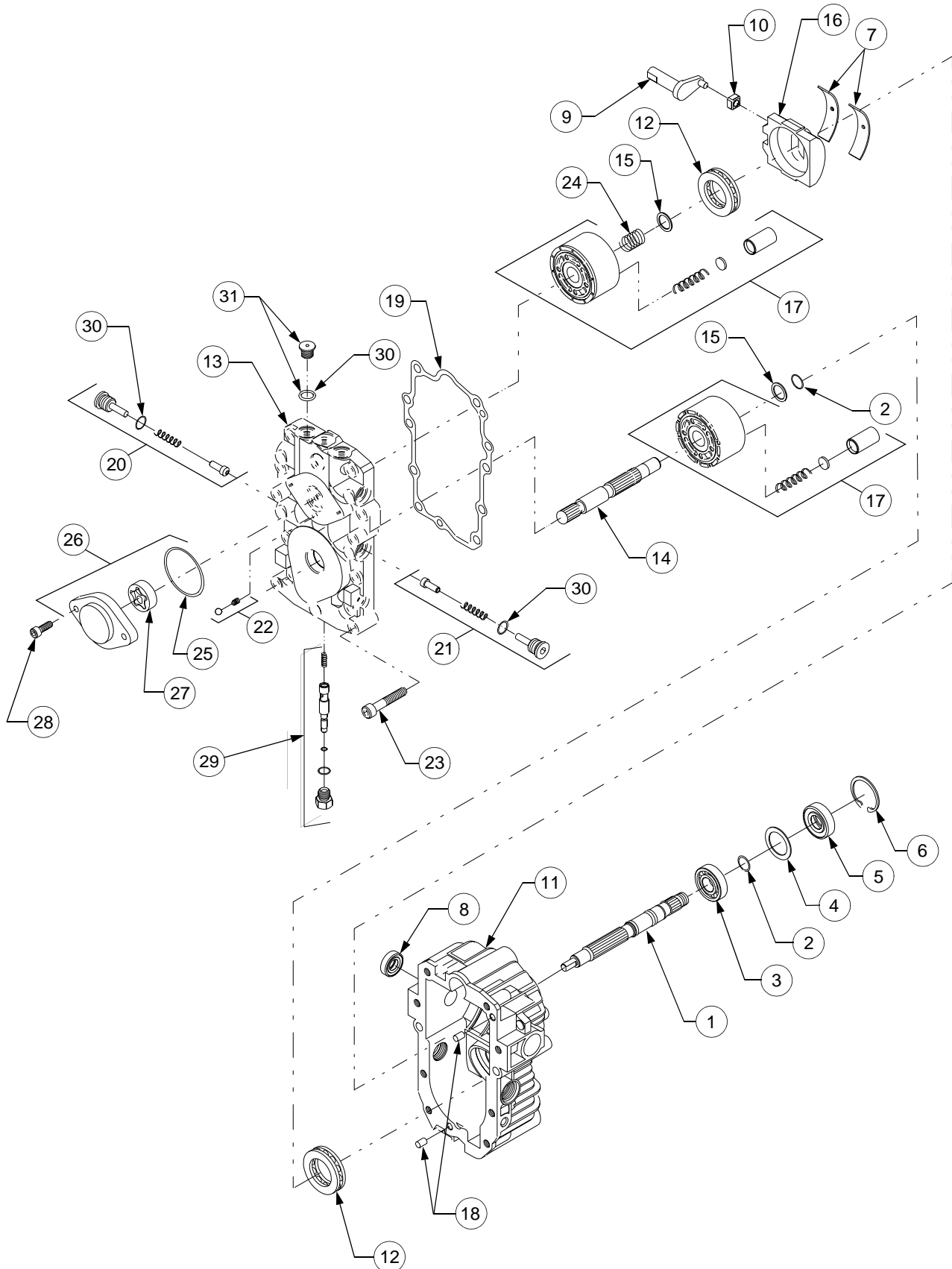
# HYDRO TRANSMISSION



## HYDRO TRANSMISSION

REF. NO.	PART NUMBER	DESCRIPTION	QTY.	REF. NO.	PART NUMBER	DESCRIPTION	QTY.
1	618-04115	Hub Assembly, Wheel	2	25	717-1446	Gear, Miter, 10T	4
2	618-3060	Plate Assembly, Brake	1	26	717-04102	Gear, Miter, 14T	2
3	619-0056	Axle Housing, RH	1	27	717-1568	Gear, Differential Spur, 60T	1
4	619-0057	Axle Housing, LH	1	28	717-3346	Shaft, Output, 9T	1
5	719-04078 759-3746	Transmission Housing, RH Sealant, Ultra Grey	1	29	717-3347	Gear, Bevel, 36T	1
6	719-04077	Transmission Housing, LH	1	30	717-04111	Gear, Spur, 18T	1
7	703-2191	Brake Arm	1	31	717-3388	Gear, Spur, 27T	1
8	710-0606	Screw, Hex Cap, 1/4-20 x 1.5	2	32	717-3391	Gear, Spur, 16T	1
9	710-0788	Screw, Hex Wash Hd Tap, 1/4-20 x 1.0	13	33	717-3392	Gear, Spur, 42T	1
10	721-3029	Seal, Shift Shaft	1	34	719-0375A	Housing, Differential, RH	2
11	710-1008	Screw, TT, 3/8-16 x 1.875	8	35	721-04031	Seal, Oil, 1.0 x 1.499	2
12	710-1633	Screw, Plug, M14 x 1.5 x .827	1	36	727-3085	Dipsick, Oil	1
13	710-3144	Screw, Hex Cap, 3/8-16 x 2.0 GR5	4	37	732-0152	Spring, Compression	1
14	710-3262	Screw, Cap, 3/8-16 x .750	1	38	732-3077	Spring, Brake Shoe	1
15	711-1052A	Shaft, Cross, .500 x 3.005	2	39	736-0463	Washer, Flat, .25 x .630 x .0515	4
16	711-04164	Shaft, Axle, 1.00 x 12.07	1	40	741-0361	Bearing, Ball, 17 ID x 40 OD x 12	3
17	711-04211	Shaft, Axle, 1.00 x 15.73	1	41	741-3057	Bearing, Ball, 6204	3
18	711-04210	Shaft, Drive	1	42	741-3114	Bearing, Ball, 6205-1	2
19	711-04209	Shaft, Intermediate	1	43	761-3019	Drum, Brake	1
20	712-0291	Nut, Hex Center Lock, 1/4-20	2	44	761-3020	Brake, Shoe	2
21	712-3020	Nut, Hex Insert Lock, 3/8-16 GR5	4	45	761-3028	Brake, Actuator	1
22	715-3045	Dowel Bushing	6	46	736-0745	Washer, Flat, 1.010 x .56 x .060	2
23	716-04032	Ring, Retaining, .938	4	47	710-3119	Screw, Hex Lock, 3/8-16 x .75 GR5	2
24	716-0204	Ring, Retaining,	2	48	736-0227	Washer, Flat, .39 x 1.5 x 1.34	2
				49	741-0681	Bearing, Ball	2

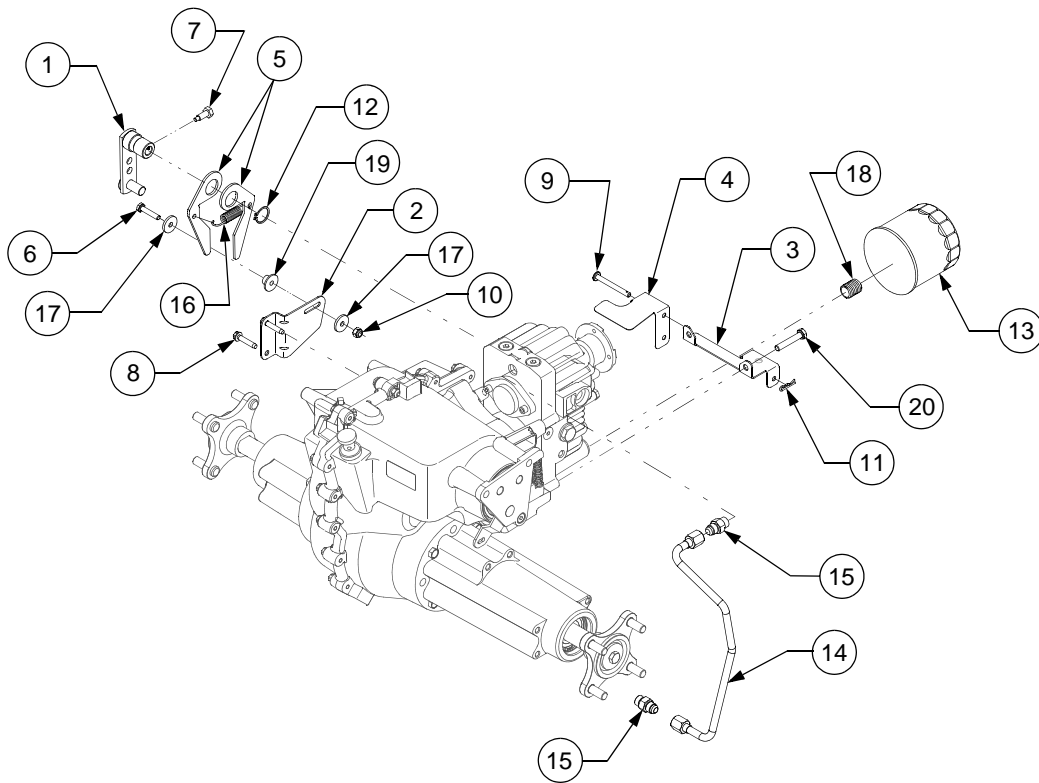
# HYDROSTATIC PUMP



## HYDROSTATIC PUMP

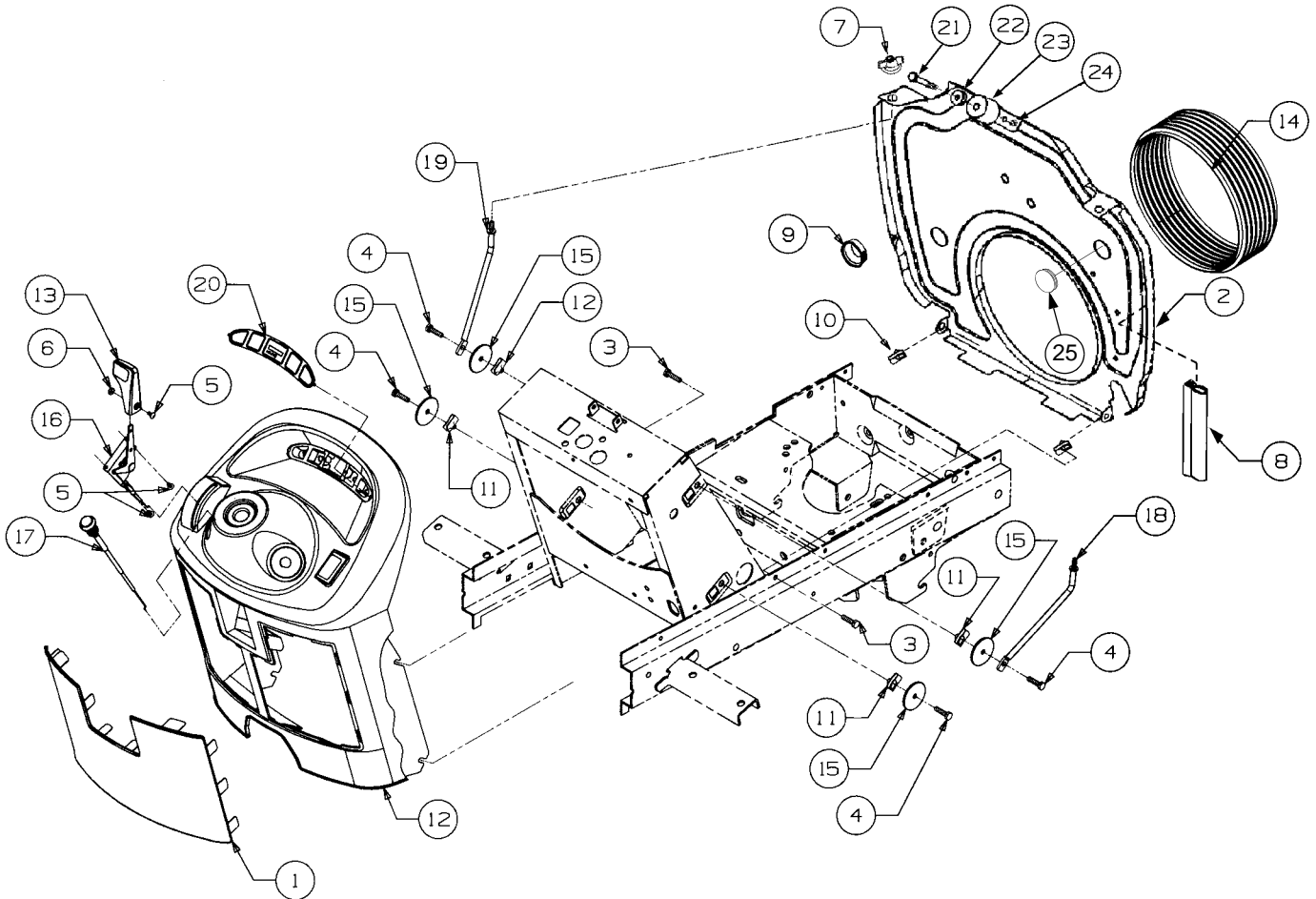
REF. NO.	PART NUMBER	DESCRIPTION	QTY.
1	HG-50158	Shaft, Pump (Splined)	1
2	HG-2003016	Ring, Retaining	2
3	HG-2003043	Bearing, Ball	1
4	HG-2003018	Spacer	1
5	HG-9008000-0128	Seal, Lip	1
6	HG-2003052	Ring, Retaining	1
7	HG-2003023	Bearing, Cradle	2
8	HG-9008000-0126	Seal, Lip	1
9	HG-2003005	Arm, Trunnion	1
10	HG-2000015	Guide, Slot	1
11	HG-2513036	Housing Kit	1
12	HG-2003044	Bearing Assembly, Thrust Ball	2
13	HG-51077	Center Section Kit	1
14	HG-2003034	Shaft, Motor	1
15	HG-2003017	Washer, Block Thrust	2
16	HG-2003087	Swash Plate	1
17	HG-70079	Block Assembly	2
18	HG-9004800-2506	Pin	2
19	HG-2003060	Gasket, Center Section	1
20	HG-2510027	Kit, Check Valve	1
21	HG-2510034	Kit, Orificed Check Valve	1
22	HG-2510011	Kit, Charge Relief Valve	1
23	HG-9007314-0808	Screw, Socket Hd	8
24	HG-2003014	Spring, Block	1
25	HG-9004101-1340	O-Ring	1
26	HG-2513027	Kit, Charge Pump	1
27	HG-J1041008	Gerotor Assy	1
28	HG-50095	Screw, Socket Hd	2
29	HG-2153011	Bypass Valve Kit	1
30	HG-9004201-3700	O-Ring	3
31	HG-9005110-5600	Plug w/O-Ring	2

## NEUTRAL LINKAGE, HYDRAULIC PICKUP AND RETURN TUBES



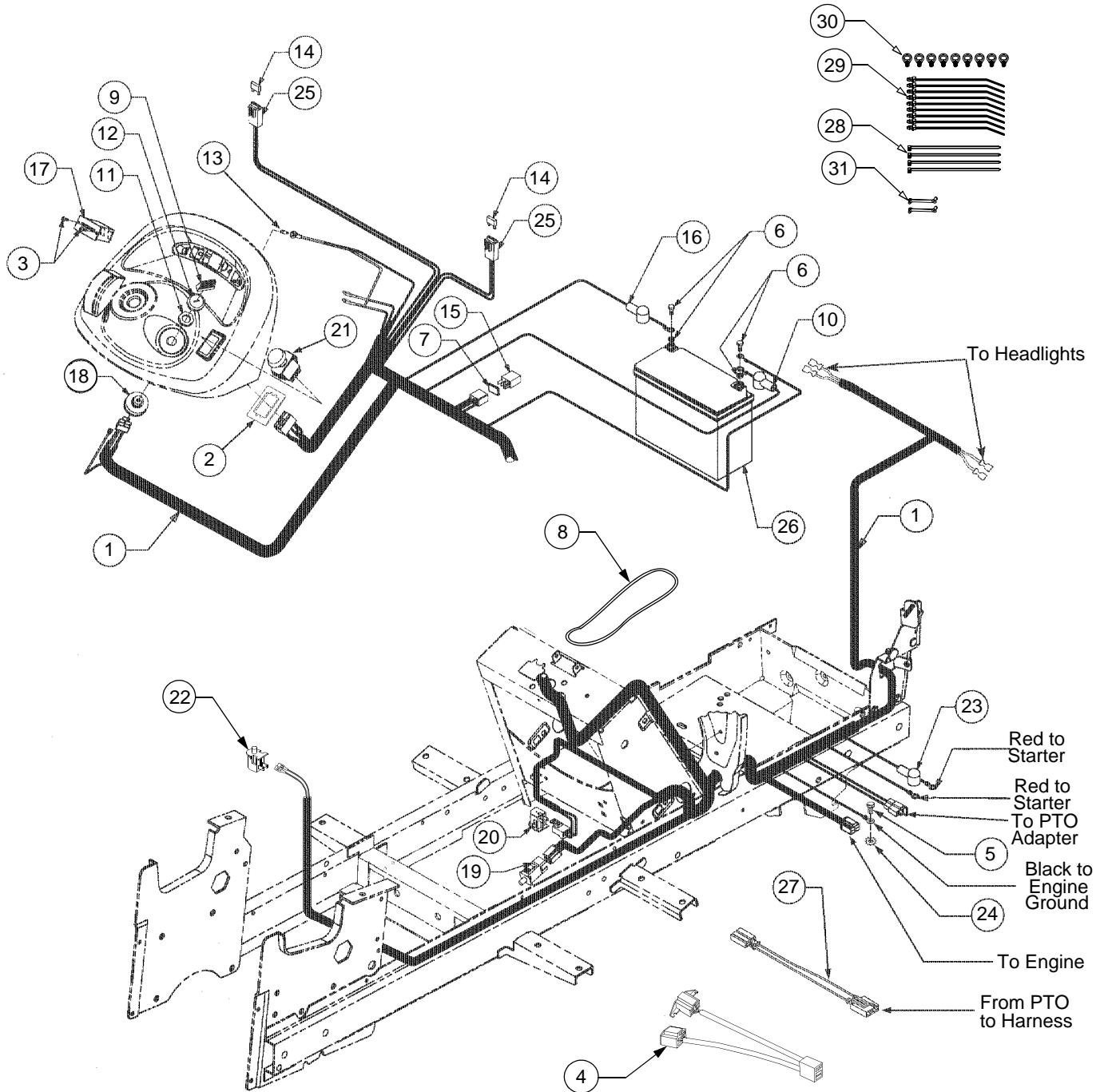
REF. NO.	PART NUMBER	DESCRIPTION	QTY.
1	603-0160	Arm Assembly, Control	1
2	603-04184	Bracket, Hydro Neutral	1
3	703-05315	Bracket, Hydro Dump Mtg,	1
4	730-05316	Bracket, Hydro Dump Actuator	1
5	703-2441	Arm, Neutral	2
6	710-0106	Screw, Hex Cap, 1/4-20 x 1.25	1
7	710-04171	Screw, Special Hex Cap, 5/16-24 x .625	1
8	710-0809	Screw, Hex Wash TT-Tap, 1/4-20 x 1.25	2
9	711-04220	Pin, Clevis, .25 x 2.38	1
10	712-0324	Nut, Hex Top Lock, 1/4-20	1
11	714-0104	Pin, Internal Cotter	1
12	716-0111	Ring, Snap, .875 Shaft	1
13	723-3014	Filter, Oil	1
14	727-04064	Tube, Hydro Inlet	1
15	727-3002	Connector, w/O-Ring	2
	721-3001	O-Ring, 3/8 OD Tube	2
16	732-3119	Spring, Extension, .5 OD x 1.97	1
17	736-0176	Washer, Flat, .25 x .93 x .120 Thk	2
18	737-3022	Nipple, Oil Filter	1
19	750-0918	Spacer, Centering	1
20	710-3180	Screw, Hex Cap, 5/16-18 x 1.75 GR5	2

## BULKHEAD, DASH PANEL AND ENGINE CONTROLS



REF. NO.	PART NUMBER	DESCRIPTION	QTY.	REF. NO.	PART NUMBER	DESCRIPTION	QTY.
1	703-2557	Screen, Intake Dash	1	13	731-3161	Knob, Throttle	1
2	703-3108B	Bulkhead, Lower	1	14	731-3317A	Boot, Intake	1
3	710-0751	Screw, Hex Cap, 1/4-20 x .625	2	15	736-3128	Washer, Flat, .285 x 1.75 x .10	4
4	710-0597	Screw, Hex Cap, 1/4-20 x 1.0	4	16	746-3035	Control, Throttle	1
5	710-3217	Screw, Cross Rec Trus, #8-32 x .38	3	17	746-3051	Control, Choke	1
6	712-0142	Nut, #8-32	1	18	747-3226	Rod, RH Mounting	1
7	712-0397	Nut, Wing w/Bell Washer 1/4-20	2	19	747-3227	Rod, LH Mounting	1
8	720-3024-36	Seal, Push On Trim	28in	20	777120312	Label, Dash	1
9	723-3042	Bushing, Snap, 7/8 ID	1	21	710-0136	Screw, Hex Cap, 1/4-20 x 1.75 GR5	1
10	726-3048	Nut, U-Type Speed, 1/4-20	2	22	736-0342	Washer, Flat, .283 x .75 x .030	1
11	726-3054	Nut, U-Clip, 1/4-20	4	23	731-3232	Roller, Hood Latch	1
12	731-3137A	Panel, Dash	1	24	712-0271	Nut, Hex Sems, 1/4-20	1
	777120306	Graphic, Ignition Switch	1	25	720-3025	Plug, Button	1

## BATTERY, ELECTRICAL COMPONENTS AND SWITCHES



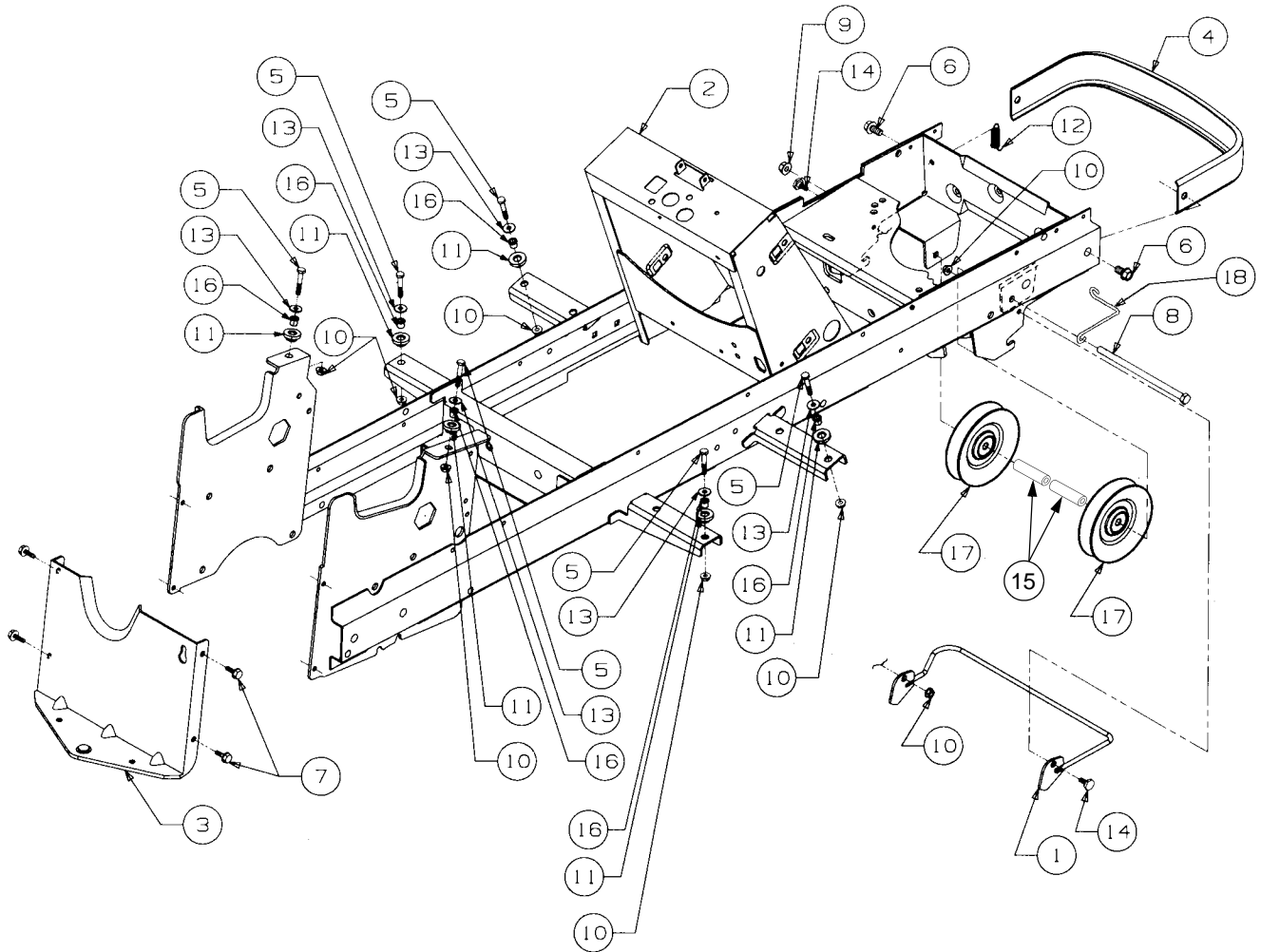


---

## BATTERY, ELECTRICAL COMPONENTS AND SWITCHES

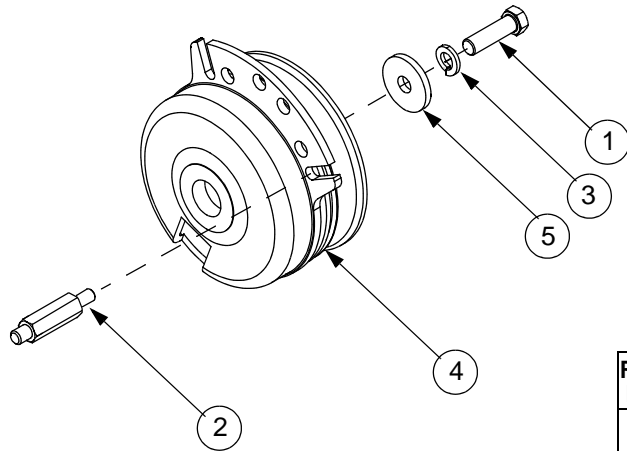
REF. NO.	PART NUMBER	DESCRIPTION	QTY.
1	629-3068A	Wire Harness, Main	1
2	783-0462	Bracket, PTO Switch Retainer	1
3	710-0936	Screw, Truss Hd Tapp, #6 x .62	AR
4	629-3072A	Wire Harness, S.A.M.	1
5	710-0237	Screw, Hex Cap, 5.16-24 x .625 GR5	1
6		Battery Cable Hardware	
	710-3015	Screw	2
	712-0271	Sems Nut	2
7	721-0342	Gasket, Silicone	1
8	723-04016	Strap, Battery Retainer	1
9	759-3476A	Key, Ignition (Set of 2)	1
10	725-0340	Cover, Terminal Black	1
11	725-1346	Nut, Ignition Switch	1
12	725-1347	Cap, Ignition Switch	1
13	725-1365	Bulb, Indicator	1
14	725-3243	Fuse, 25 Amp	2
15	725-1648	Relay	1
16	725-3007A	Cover, Terminal Red	1
17	725-3159	Hour Meter	1
18	725-3284	Switch, Ignition	1
19	725-3164A	Switch, Interlock (Brake)	1
20	725-3166	Switch, Snap Mount	1
21	725-3233	Switch, PTO	1
22	725-3166	Switch, Snap Mount Seat	1
23	725-3237	Cover, Terminal Red	1
24	736-0607	Washer, External Lock, 5/16	1
25	729-0357	Holder, Fuse w/Mounting Clip	2
26	925-1707D	Battery	1
27	725-3242	Adapter, PTO Harness	1
28	725-0157	Tie, Self-Clinch Cable	4
30	726-0154	Tie, Pushmount	9
31	726-3055	Clip, Cable	9
32	726-0161	Clip, Wire	2

## FRAME AND DRAWBAR



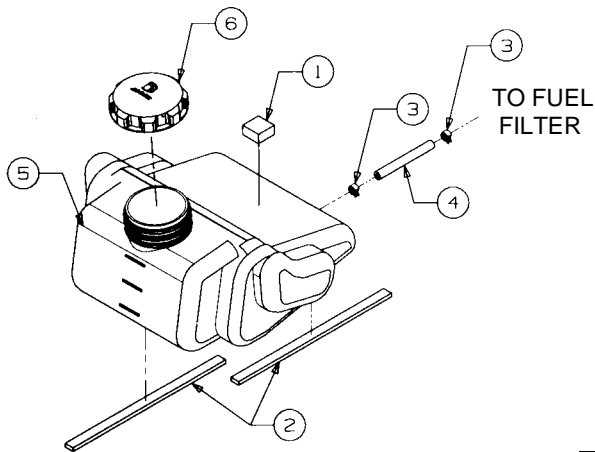
REF. NO.	PART NUMBER	DESCRIPTION	QTY.
1	603-0132	Rod, Quick Attach	1
2	603-0328C	Frame	1
3	703-2257 777120296	Drawbar Graphic, Transmission Release Lever	1
4	703-2577	Bumper	1
5	710-0597	Screw, Hex Cap, 1/4-20 x 1.0	6
6	710-0623	Screw, Hex Wsh Hd Tapp 3/8-16 x .75	2
7	710-1260A	Screw, Hex Wsh Hd Tap 5/16-18 x .75	4
8	710-3261	Screw, Hex Cap, 3/8-16 x 7.0	1
9	712-0431	Nut, Hex Flange Lock, 3/8-16	1
10	712-3027	Nut, Hex Flange Lock, 1/4-20	8
11	722-0258	Grommet, Insulator	6
12	732-3002	Spring, Latch	1
13	736-3090	Washer, Flat, .255 x .72 x .60	6
14	738-0255	Bolt, Shoulder	2
15	750-04198	Spacer, Idler, .411 x .720 x 3.67	2
16	750-3169	Spacer, .28 x .40 x .42 Lg	6
17	756-3045	Pulley, Idler	2
18	732-0970	Belt Guide	1

## PTO CLUTCH



REF. NO.	PART NUMBER	DESCRIPTION	QTY.
1	710-0757	Screw, Hex Cap, 7/16-20 x 1.5 GR5	1
2	711-1099	Stud, Clutch Stop	1
3	736-0171	Washer, Lock, 3/8	1
4	717-3385A	Clutch Assy, PTO	1
	711-3351	Spacer (Not Shown)	1
5	736-3082A	Washer, Flat, .445 x 1.5 x 1.72 Hdn	1

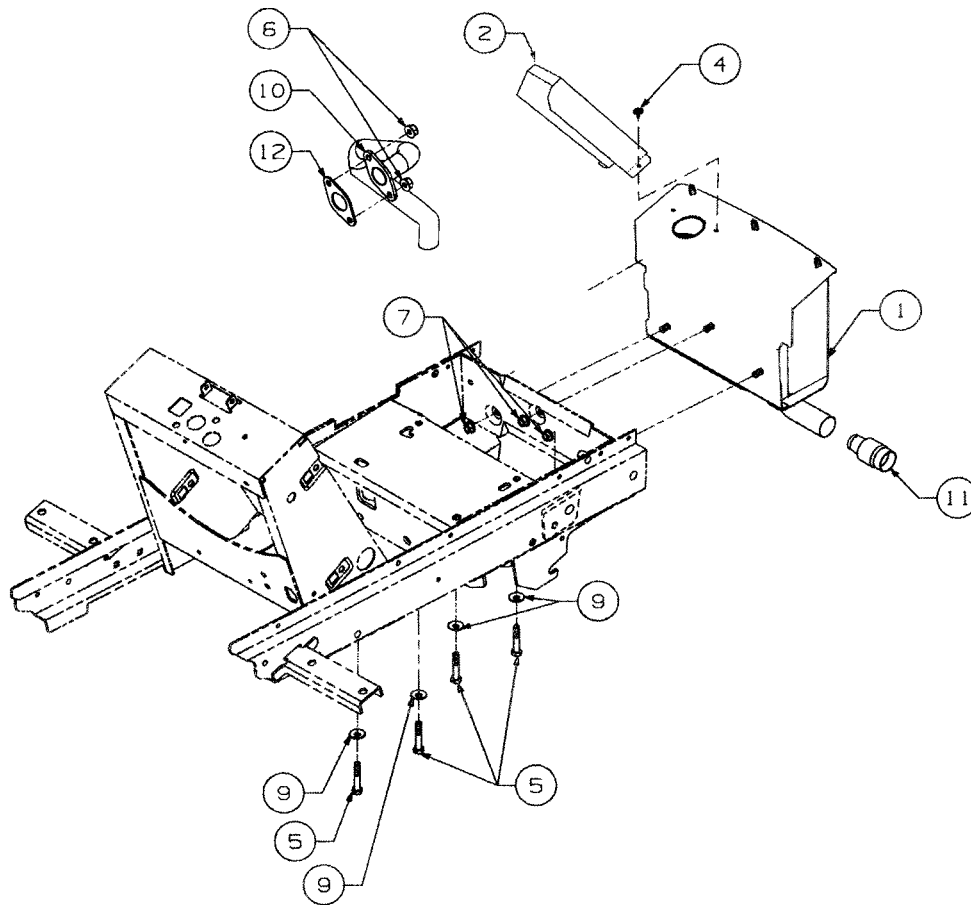
## FUEL TANK



REF. NO.	PART NUMBER	DESCRIPTION	QTY.
1	722-3020	Foam, 1.25 Sq x .62 Thk	AR
2	722-3022	Tape, Foam, .625 Wide x .25 Thk	AR
3	726-0205	Clamp, Hose	2
4	759-3330	Line, Fuel, 72" (Shipped In 10ft Length)	1
5	751-3112B	Tank, Fuel	1
6	751-3124B	Cap, Fuel	1
†	723-3066-24	Insulator, Foam Fuel Line	1

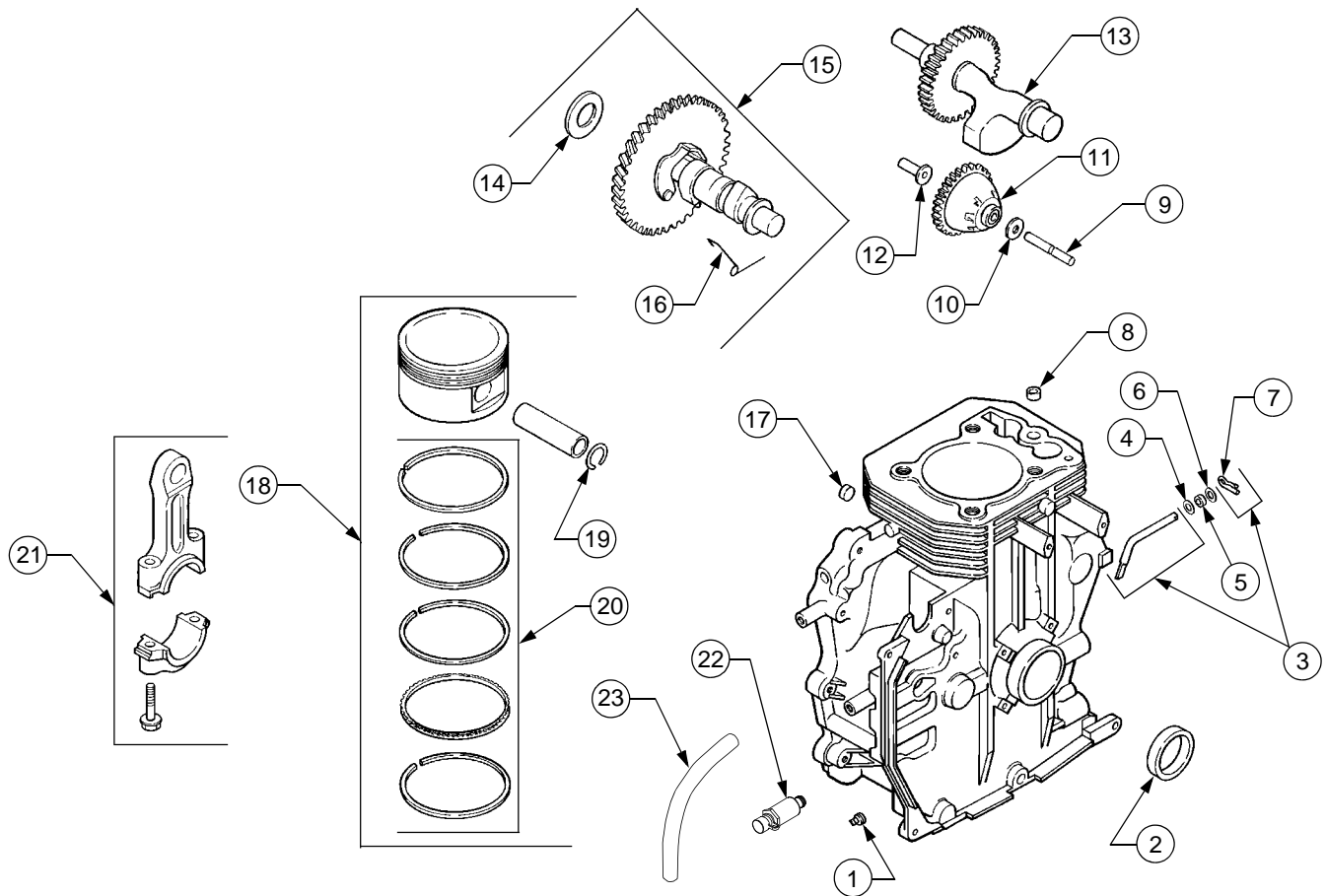
† Not Shown

## ENGINE MOUNTING AND MUFFLER



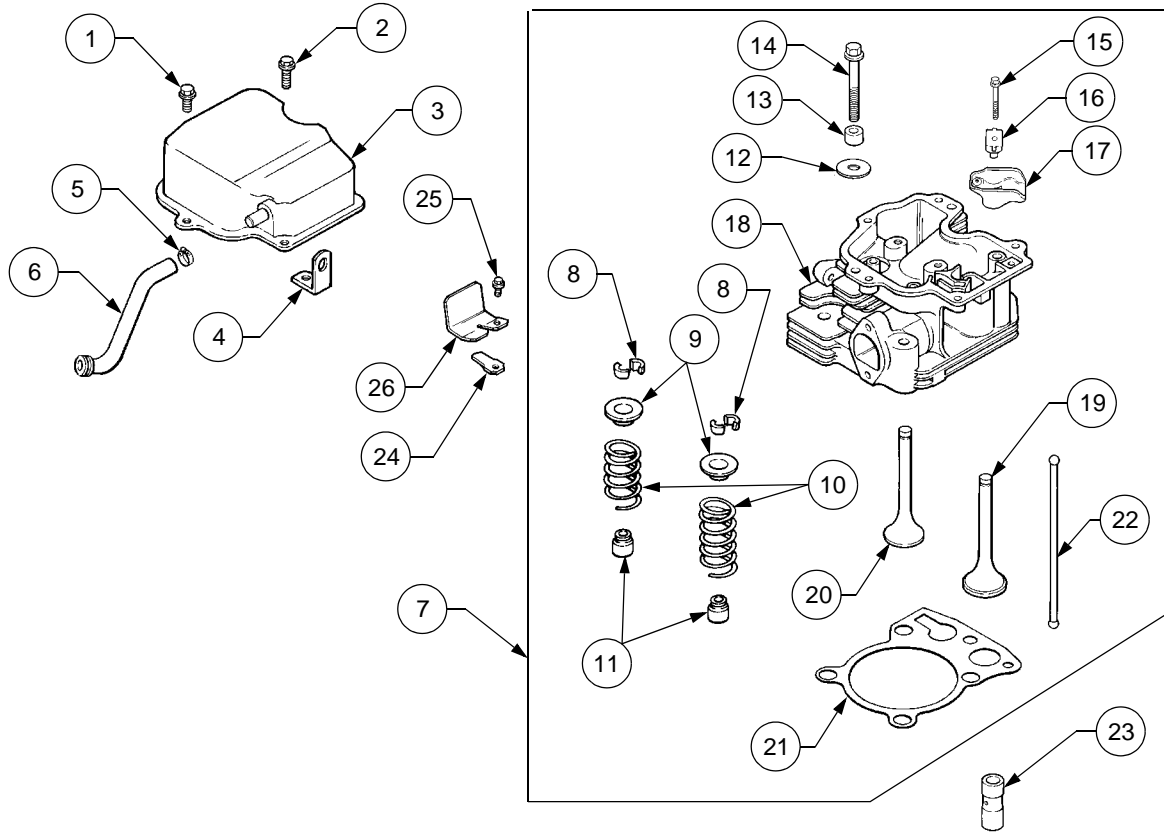
REF. NO.	PART NUMBER	DESCRIPTION	QTY.
1	651-3001	Muffler Assembly	1
2	703-3099	Shield, Muffler Tube	1
4	710-1268	Screw, Hex Wsh Hd Tap, #10-16 x .38	3
5	710-3290	Bolt, Eng Mount, 3/8-16 x 1.25	4
6	712-3086	Nut, Exhaust, M8 x 1.25	2
7	712-3004A	Nut, Hex Flange Lock, 5/16-18	3
9	736-0105	Washer, Bell, .401 x .870 x .063	4
10	751-0653	Tube, Exhaust	1
11	759-3744	Arrestor, Spark	1
12	721-0375	Gasket, Exhaust	1

## CRANKCASE



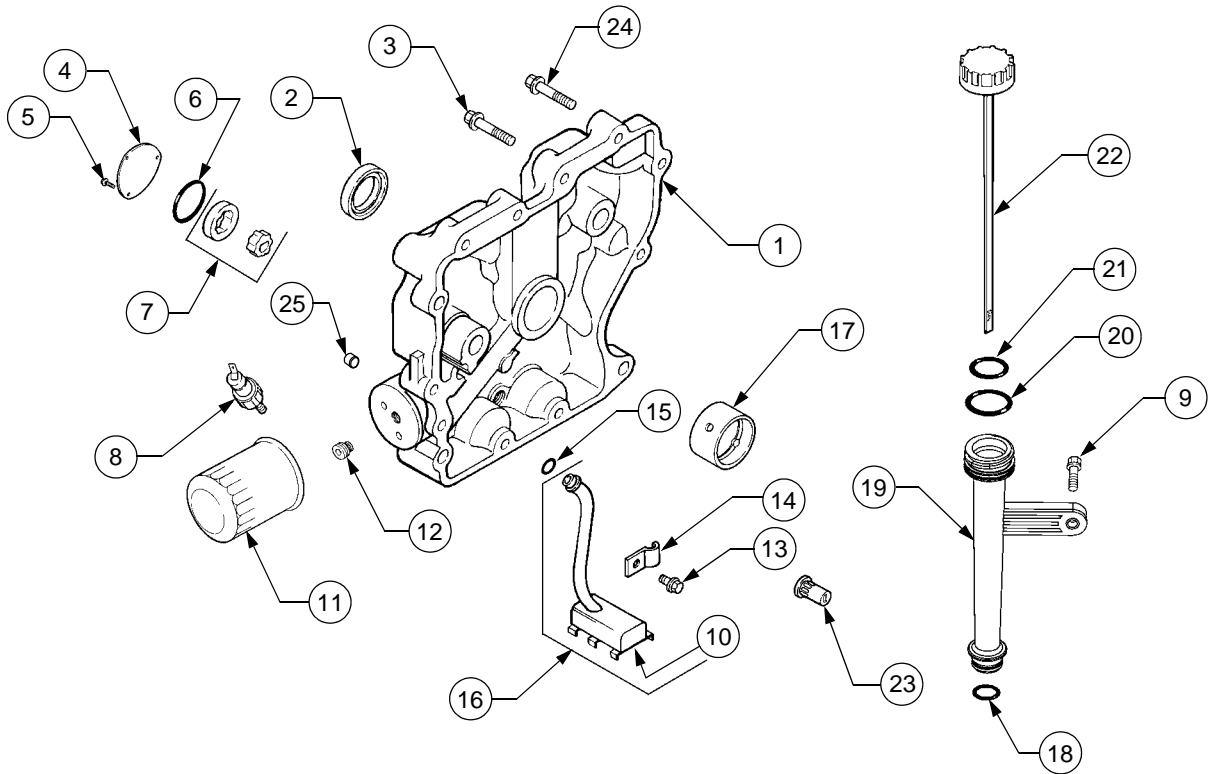
REF. NO.	PART NUMBER	DESCRIPTION	QTY.	REF. NO.	PART NUMBER	DESCRIPTION	QTY.
1	KH-25-139-57-S	Plug, Solid Sq. Head, 3/8 NPTF	2	15	KH-12-755-49	Camshaft Assy, (Incl. Ref #14,16)	1
2	KH-12-032-03	Seal, Crankshaft	1	16	KH-12-089-31	Spring, Actuating	1
3	KH-12-755-64	Kit, Gov. Cross Shaft (Incl. Ref #7)	1	17	KH-52-139-09	Plug, Cup	1
4	KH-M-631015	Washer, Governor Shaft, 6mm	1	18	KH-12-874-07	Piston w/Ring Set, Std	1
5	KH-12-032-01	Seal, Governor Cross Shaft	1		KH-12-874-11	Piston w/Ring Set, .08mm O.S.	1
6	KH-X-25-102	Washer, Plain, 1/4	1		KH-12-874-08	Piston w/Ring Set, .25mm O.S.	1
7	KH-12-154-05	Pin, Governor Hitch	1		KH-12-874-09	Piston w/Ring Set, .50mm O.S.	1
8	KH-24-380-13-S	Dowel, Locating	4	19	KH-12-018-02	Retainer, Piston Pin	2
9	KH-12-144-02	Shaft, Governor Gear	1	20	KH-12-108-07	Ring Set, Std.	1
10	KH-M-631005	Washer, Governor Gear Thrust	1		KH-12-108-08	Ring Set, .25mm	1
11	KH-12-043-05	Gear, Governor Assy	1		KH-12-108-09	Ring Set, .50mm	1
12	KH-12-380-01	Pin, Governor Regulating	1	21	KH-12-067-05	Rod, Connecting, Std	1
13	KH-12-144-26	Shaft, Balance	1		KH-12-067-06	Rod, Connecting, .25mm	1
14	KH-12-422-07	Shim,Camshaft, .0280 (White)	AR	22	751-3140	Drain, Oil	1
	KH-12-422-08	Shim,Camshaft, .0300 (Blue)	AR		751-3142	Cap	1
	KH-12-422-09	Shim,Camshaft, .0320 (Red)	AR	23	751-3141-12	Hose, Oil Drain	1
	KH-12-422-10	Shim,Camshaft, .0340 (Yellow)	AR				
	KH-12-422-11	Shim,Camshaft, .0360 (Green)	AR		KH-12-755-93-S	Gasket Set	1
	KH-12-422-12	Shim,Camshaft, .0380 (Grey)	AR		KH-45509	Engine Complete	1
	KH-12-422-13	Shim,Camshaft, .0400 (Black)	AR		KH-12-522-39	Short Block	1

## CYLINDER HEAD, VALVES AND BREATHER



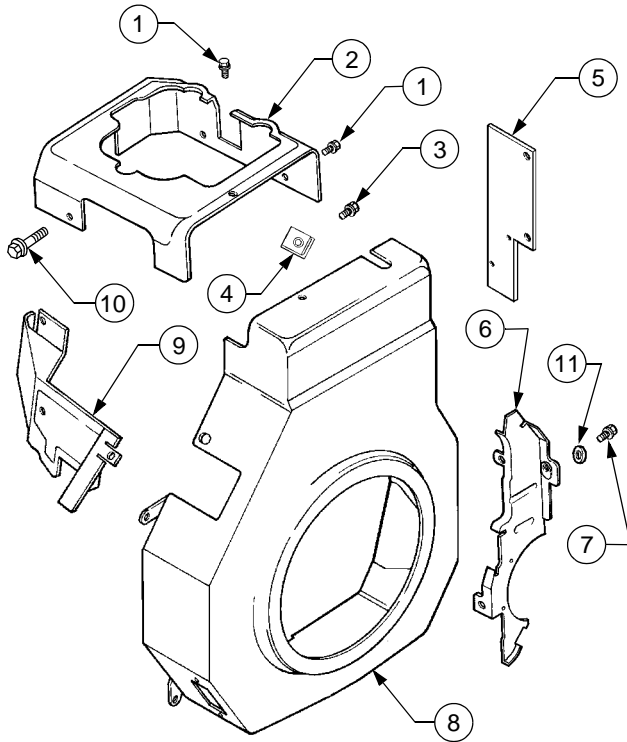
REF. NO.	PART NUMBER	DESCRIPTION	QTY.	REF. NO.	PART NUMBER	DESCRIPTION	QTY.
1	KH-M-0645016	Screw, Hex Flange, M6 x 1 x 16	4	14	KH-20-086-02-S	Screw, Hex Flange, M10 x 1.5 x 81	5
2	KH-M-645020-S	Screw, Hex Flange, M6 x 1 x 20	1	15	KH-M-0640034	Screw, Hex Flange, M6 x 1 x 34	2
3	KH-12-096-47	Cover, Valve w/Nipple	1	16	KH-12-599-03	Pivot, Rocker Arm	2
4	KH-12-445-05	Strap, Lifting	1	17	KH-25-186-01	Arm, Rocker	2
5	KH-25-237-14-S	Clamp, Hose	1	18	KH-12-318-19	Head, Cylinder	1
6	KH-12-326-19-S	Hose, Breather	1	19	KH-12-017-01	Valve, Intake (Std.)	1
7	KH-12-755-81	Kit, Cyl Head, (Includes #8-23, KH-12-041-01, KH-12-041-02, and KH-12-041-03 Gaskets)	1		KH-12-017-02	Valve, Intake (.25mm)	1
8	KH-12-755-03	Kit, Retainer	2	20	KH-12-016-01	Valve, Exhaust (Std.)	1
9	KH-12-173-01	Cap, Valve Spring	2		KH-12-016-02	Valve, Exhaust (.25mm)	1
10	KH-12-089-34-S	Spring, Valve	2	21	KH-12-041-10	Gasket, Cylinder Head	1
11	KH-66-032-05-S	Seal, Valve Stem	2	22	KH-12-411-04-S	Rod, Push	2
12	KH-12-468-05	Washer, Plain, 13/32"	1	23	KH-25-351-01	Lifter, Valve	2
13	KH-12-112-13	Spacer, Head Bolt Exhaust Port	1	24	KH-12-402-02	Reed, Breather	1
				25	KH-M-0545010	Screw, Hex Flange, M5 x .8 x 10	1
				26	KH-66-018-04	Retainer, Breather Reed	1

## OIL PAN AND LUBRICATION



REF. NO.	PART NUMBER	DESCRIPTION	QTY.	REF. NO.	PART NUMBER	DESCRIPTION	QTY.
1	KH-12-009-51	Plate Assembly, Closure (Incl. Ref #4-7,17, 23)	1	13	KH-M-545016-S	Screw, Oil Pick-Up, M5 x .8 x 16	1
2	KH-12-032-03	Seal, Oil (PTO End)	1	14	KH-52-154-01	Clip, Oil Tube	1
3	KH-24-086-16	Screw, Closure Plate, M8x1.25x45	11	15	KH-12-153-04	O-Ring, Oil Pick-Up	1
4	KH-12-096-21	Cover, Oil Pump	1	16	KH-12-755-73	Kit, Oil Pick-Up (Incl. Ref #10)	1
5	KH-M-545016	Screw, Oil Pump Cover, M5x.8x16	3	17	KH-12-030-05	Bearing, Thrust	1
6	KH-12-153-05	O-Ring, Oil Pump	1	18	KH-12-153-07	O-Ring, Lower Oil Fill Tube	1
7	KH-12-393-01	Pump Assembly, Oil	1	19	KH-12-123-22	Tube, Oil Fill	1
8	KH-25-099-24	Switch, Oil Pressure	1	20	KH-12-153-02	O-Ring, Upper Oil Fill Tube	1
9	KH-M-545016-S	Screw, Hex Flange M5 x 0.8 x 16	1	21	KH-12-153-03	O-Ring, Dipstick Cap	1
10	KH-25-381-01	Pick-up, Oil Screen	1	22	KH-12-038-08	Cap/Dipstick, Oil Fill	1
11	KH-12-050-08	Filter, Oil	1	23	KH-25-462-09	Valve, Oil Pressure Relief	1
12	KH-24-136-01	Nipple, Oil Filter	1	24	KH-24-086-17	Screw, Hex Flange M8 x 1.25 x 45	1
				25	KH-25-139-60-S	Plug	1

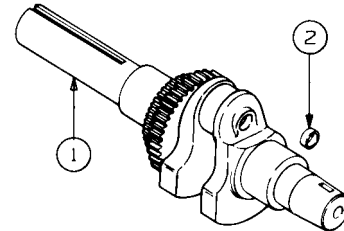
## BLOWER HOUSING AND BAFFLES



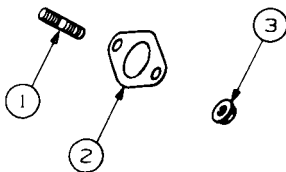
REF. NO.	PART NUMBER	DESCRIPTION	QTY.
1	KH-M-0545010	Screw, Hex Flange, M5 x .8 x 10	3
2	KH-12-063-08	Baffle, Cylinder Head	1
3	KH-M-645016-S	Screw, Hex Flange, M5 x .8 x 16	3
4	KH-25-154-02	Clip, Mounting	3
5	KH-12-063-15-S	Baffle, Cylinder	1
6	KH-12-146-07	Plate, Blower Housing	1
7	KH-12-086-37	Screw, w/Washer M5 x .8 x 20	3
8	KH-12-027-55	Housing, Blower	1
9	KH-12-063-10	Baffle, Intake Side	1
10	KH-M-550010-S	Screw, Hex Flange, M5 x 0.8 x 10	2
11	KH-24-468-10	Washer, Plain 1/4"	1

## CRANKSHAFT

REF. NO.	PART NUMBER	DESCRIPTION	QTY.
1	KH-12-014-37	Crankshaft (Incl. Ref #2)	1
2	KH-12-139-01	Plug, Cup	1



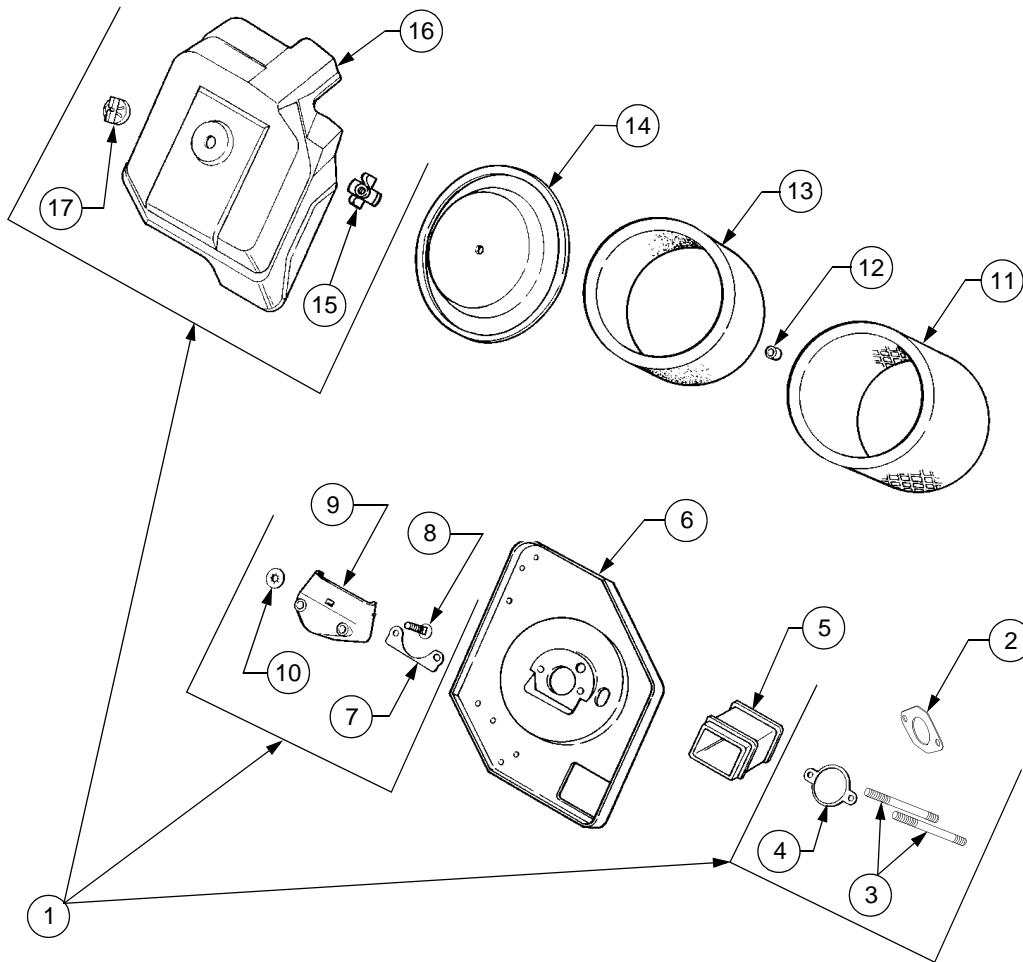
## EXHAUST



REF. NO.	PART NUMBER	DESCRIPTION	QTY.
1	KH-25-072-04	Stud, Exh Manifold, M8 x 1.25 x 33	2
2	721-0375	Gasket, Exhaust Manifold	1
3	712-3086	Nut, Muffler, M8 x 1.25	2

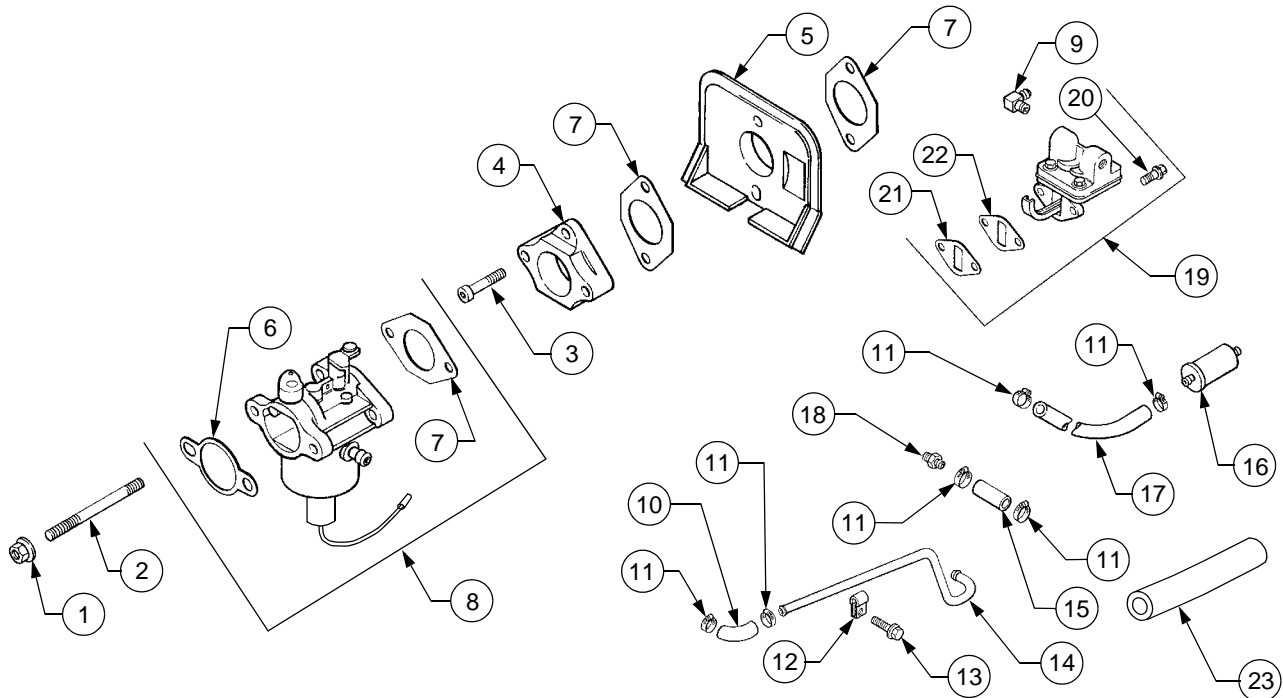


## AIR INTAKE AND FILTER



REF. NO.	PART NUMBER	DESCRIPTION	QTY.
1	KH-12-755-84	Kit, Fuel Recovery (Incl. Ref #2-4, 7-10, 12, 15-17)	1
2	KH-12-041-01	Gasket, Carburetor	1
3	KH-M-0629116	Stud, M6 x 1.0 x 116	2
4	KH-12-041-02	Gasket, Air Cleaner	1
5	KH-12-123-07	Tube, Air Cleaner	1
6	KH-12-094-06	Base, Air Cleaner	1
7	KH-12-041-09	Gasket, Collector Plate	1
8	KH-12-211-02	Bolt, Carriage, M6 x 1.0 x 22	1
9	KH-12-109-08	Cup, Fuel Spit Back	1
10	KH-12-018-06-S	Retainer, Ring	1
11	759-3547	Element, Air Cleaner	1
12	KH-24-032-03	Seal, Inner Air Cleaner	1
13	KH-52-083-01	Pre-Cleaner, Element	1
14	KH-12-096-37	Cover, Air Cleaner Element	1
15	KH-12-100-01	Wingnut, Element Cover	1
16	KH-12-096-41	Cover, Air Cleaner Base	1
17	KH-25-341-03	Knob, Air Cleaner Cover	1

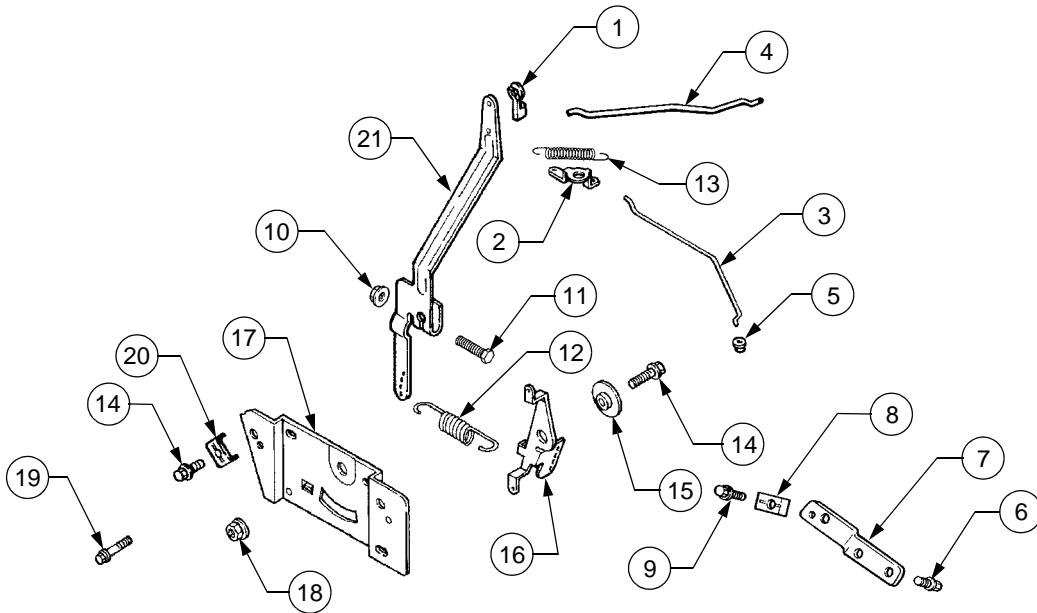
## FUEL SYSTEM



REF. NO.	PART NUMBER	DESCRIPTION	QTY.	REF. NO.	PART NUMBER	DESCRIPTION	QTY.
1	KH-M-0641060	Nut, Hex Flange, M6 x 1.0	2	22	KH-25-041-10	Gasket, Fuel Pump	2
2	KH-M-0629116	Stud, Carburetor, M6 x 1.0 x 116	2	23	723-3066-24	Insulation, Fuel Line	1
3	KH-M-0644035	Screw, Socket Cap, M6 x 1.0 x 35	2	<b>NOT SHOWN</b>			
4	KH-12-029-04	Adapter, Carburetor	1		KH-12-757-02	Kit, Float Assembly	1
5	KH-12-265-04	Deflector, Heat	1		KH-12-757-03	Kit, Carburetor Repair — Includes Gasket, Carburetor Gasket, Air Filter Base Gasket, Fuel Bowl Gasket, Bowl Screw	1
6	KH-12-041-02	Gasket, Air Filter	1		KH-12-757-08	Kit, Choke Repair — Includes Shaft Assembly, Choke Plate, Choke Bushing, Choke Cap, Choke Lever Screw, Valve (2)	1
7	KH-12-041-01	Gasket, Carburetor	3		KH-12-757-33	Kit, Solenoid Repair — Includes Gasket, Bowl Screw, Tie, Wire Terminal	1
8	KH-12-853-93	Kit, Carb w/Gsks [Incl. Ref #6, 7(1), KH-12-454-03-S (Wire Tie) and KH-25-452-20 (Terminal)]	1		KH-12-757-37-S	Kit, Bowl Replacement	1
9	KH-12-294-13-S	Connector, Hose, 90°	1		KH-12-755-92-S	Kit, High Altitude	1
10	KH-12-353-07	Line, 90° Fuel	1		KH-25-153-04-S	O-Ring, Fuel Pump	1
11	KH-25-237-14-S	Clamp, Fuel Line	6	†	KH-M-561010	Screw, Thrd Forming M5 x .8 x 10	1
12	KH-X-728-1	Clip, Tube	1	†	KH-X-22-11	Washer, Lock 1/4"	1
13	KH-M-0545010	Screw, Hex Flange, M5 x .8 x 10	1				
14	KH-12-353-11	Line, Metal Fuel	1				
15	KH-12-353-01	Line, Fuel, 1 1/4"	1				
16	KH-25-050-07-S	Filter, Fuel	1				
17	KH-25-353-08	Line, Fuel, 5"	1				
18	KH-25-294-09-S	Connector, Straight Hose	1				
19	KH-12-559-02	Kit, Fuel Pump (Incl. 9, 20-22)	1				
20	KH-M-0645020	Screw, Hex Flange, M6 x 1 x 20	2				
21	KH-12-112-05	Spacer, Fuel Pump	1				

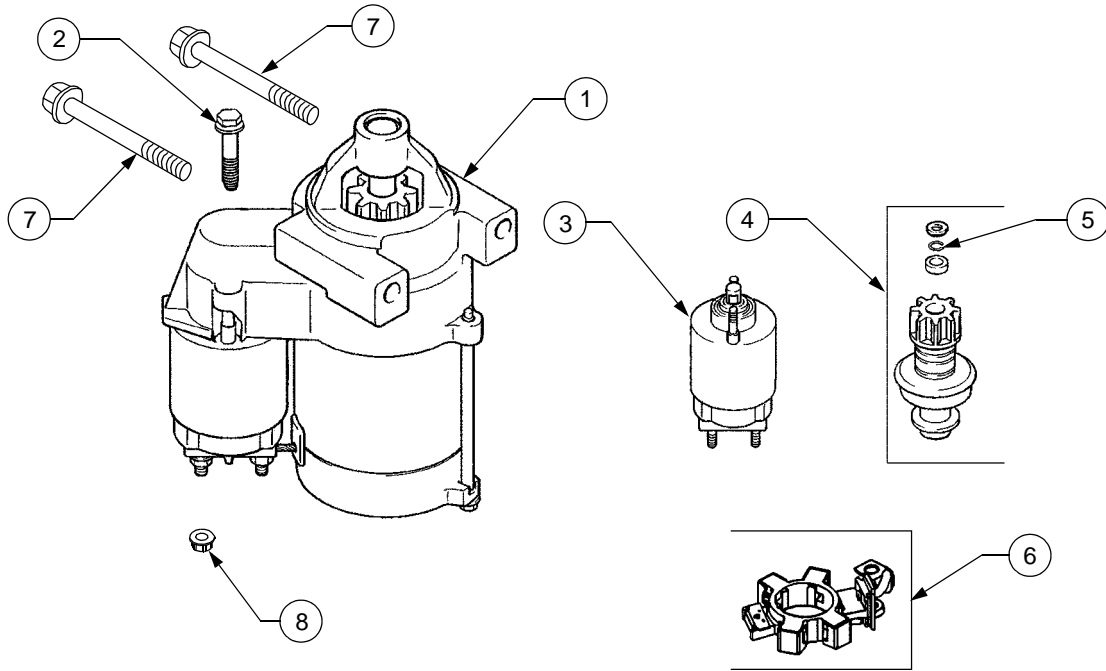
† Used to Attach Carburetor Ground Lead

## ENGINE CONTROLS



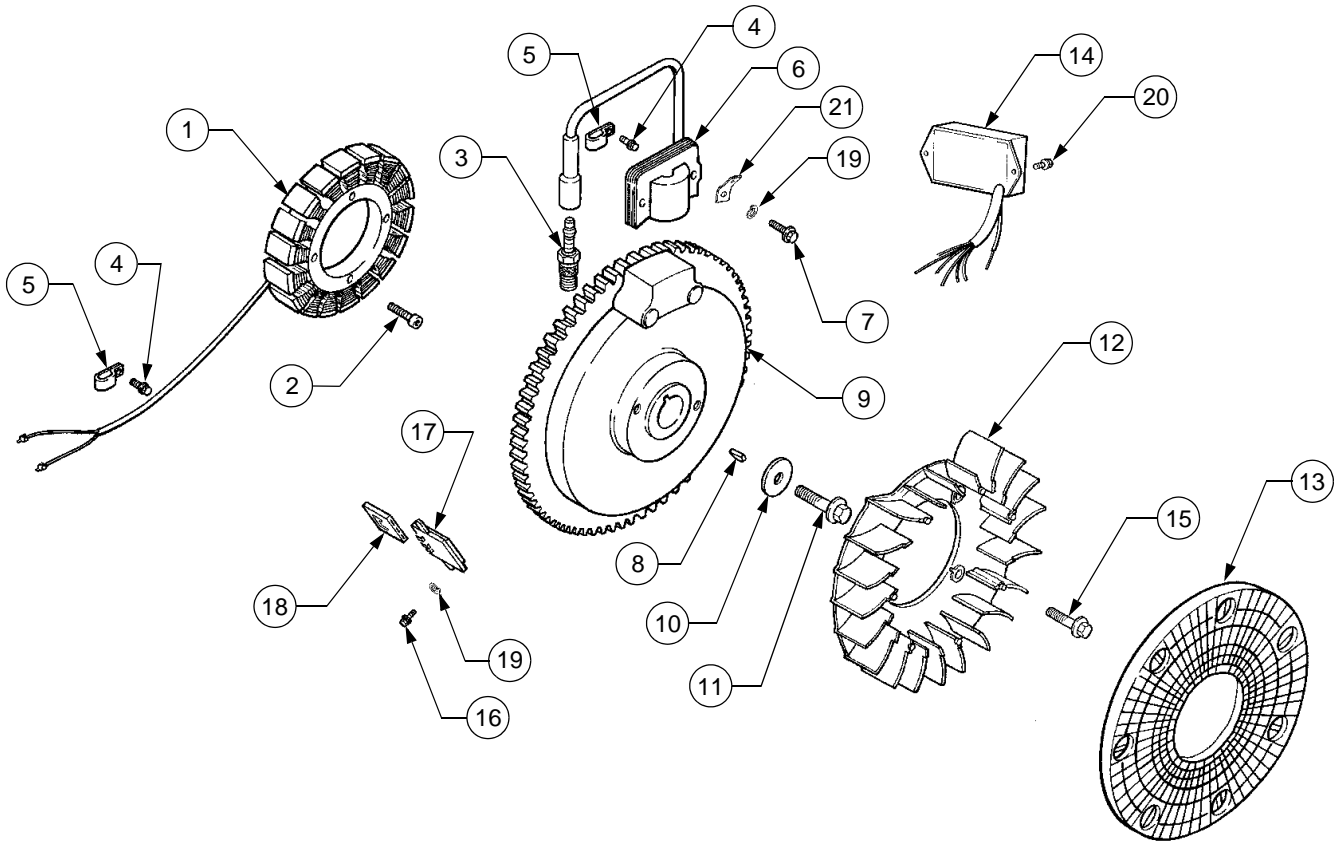
REF. NO.	PART NUMBER	DESCRIPTION	QTY.
1	KH-25-158-11	Bushing, Throttle	1
2	KH-12-090-14	Lever, Choke, Upper	1
3	KH-12-079-08	Linkage, Choke, Upper	1
4	KH-12-079-04	Linkage, Throttle	1
5	KH-25-158-08	Bushing, Linkage	1
6	KH-M-0545010	Screw, Bracket, M5 x .8 x 10	3
7	KH-12-126-15	Bracket, Choke Mount	1
8	KH-12-237-01	Clamp, Cable	1
9	KH-M-0545016	Screw, Clamp, M5 x .8 x 16	1
10	KH-M-0641060	Nut, M6 x 1	1
11	KH-12-086-41-S	Screw, Governor Arm, M6 x 1 x 25	1
12	KH-12-089-17	Spring, Governor	1
13	KH-230117	Spring, Linkage	1
14	KH-M-545016-S	Screw, Throttle Cntrl, M5 x .8 x 16	2
15	KH-12-112-07	Spacer, Throttle Control	1
16	KH-12-090-13	Lever, Throttle Control	1
17	KH-12-146-05	Plate, Control	1
18	KH-M-0541050	Nut, Hex, M5 x .8	1
19	KH-M-0664020	Screw, Control Plate, M6 x 1 x 20	2
20	KH-12-237-01	Clamp, Cable	2
21	KH-12-090-19	Lever, Governor	1

## STARTING SYSTEM



REF. NO.	PART NUMBER	DESCRIPTION	QTY.
1	KH-25-098-09-S	Starter, (Incl. Ref #2-6)	1
2	KH-25-086-113-S	Screw, External Torx Hd.	3
3	KH-25-435-05-S	Kit, Solenoid (Includes Ref. #2)	1
4	KH-25-755-33-S	Kit, Pinion Drive (Includes Ref. 5)	1
5	KH-25-141-05-S	Ring	1
6	KH-25-221-01-S	Kit, Brush	1
7	KH-M-839080	Screw, Hex Flange, M8 x 1.25 x 80	2
8	KH-M-0841080	Nut, Hex Flange, M8 x 1.25	1

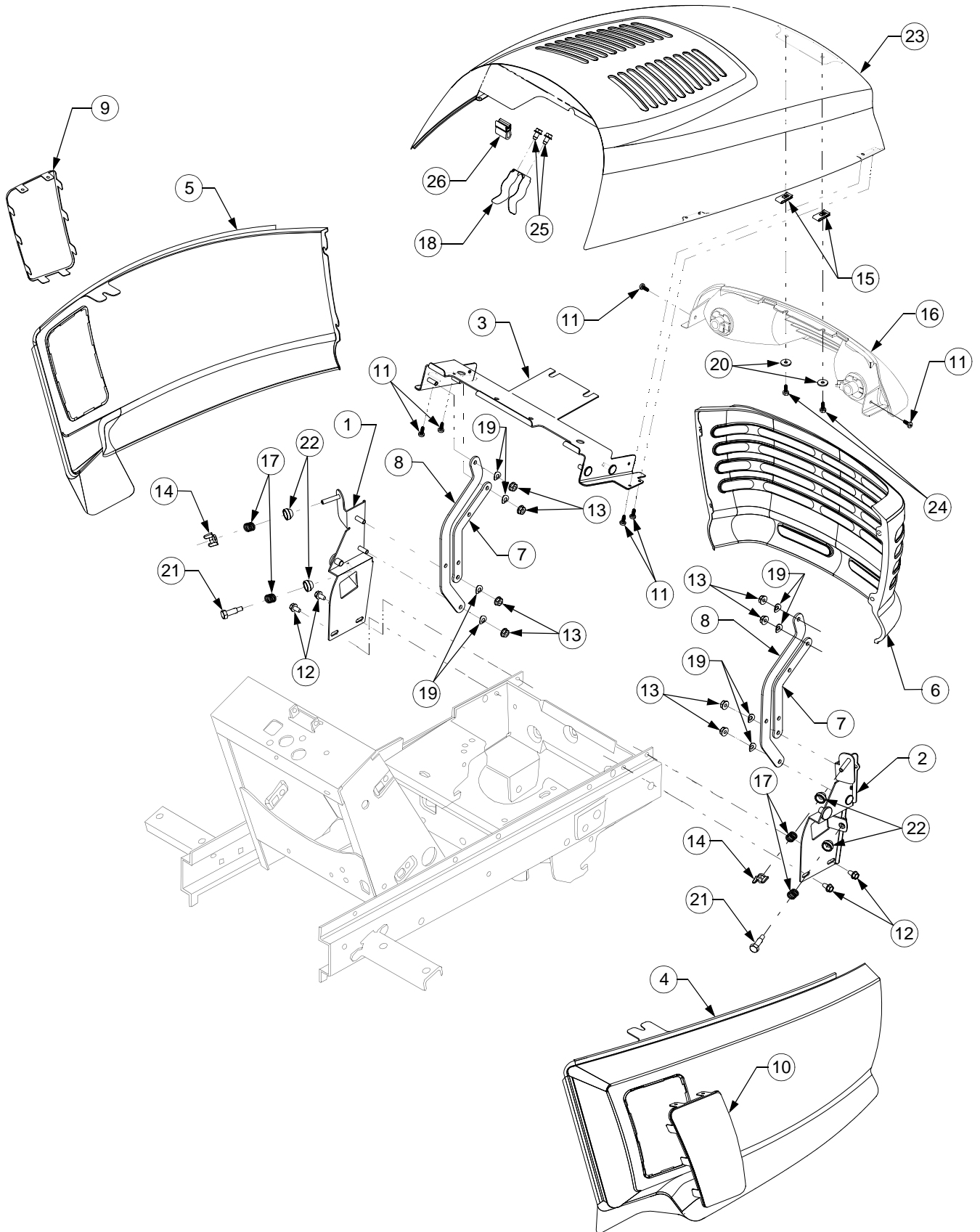
**IGNITION/ELECTRICAL**



REF. NO.	PART NUMBER	DESCRIPTION	QTY.	REF. NO.	PART NUMBER	DESCRIPTION	QTY.
1	KH-237878	Kit, Stator, (Includes Ref #2 and KH-25-452-01 Terminal, Qty 2)	1	14	KH-12-584-12	Module, Digital Speed Advance	1
2	KH-M-548025-S	Screw, Stator Mntg, M5 x 0.8 x 25	2	15	KH-25-086-47	Bolt, Shoulder M6 x 1 x 16	4
3	759-3336	Spark Plug	1	16	KH-24-086-18-S	Screw, Phillips Hd. 11-16 x 7/8	2
4	KH-M-0545010	Screw, Harness Clip, M5 x .8 x 10	2	17	KH-41-403-09	Rectifier-Regulator	1
5	KH-X-728-1	Clip, Cable	2	18	KH-236602	Connector, Three Contact	1
6	KH-12-584-14-S	Module, Ignition	1	19	KH-X-22-11	Washer, Lock, 1/4	2
7	KH-12-086-35-S	Screw, Ign Module, M4 x .7 x 4.0	2	20	KH-M-461013	Screw, Pan Head, M4.2 x 13	2
8	KH-X-42-15	Key	1	21	KH-12-452-02-S	Terminal	1
9	KH-12-025-46-S	Flywheel	1	†	KH-24-518-12-S	Lead, Black, 4"	1
10	KH-12-468-03	Washer, Flywheel	1	†	KH-12-176-51-S	Harness, Wire	1
11	KH-12-086-14	Screw, Flywheel, M10 x 1.5 x 46	1	†	KH-12-154-07-S	Clip, Rectifier/Regulator	2
12	KH-12-157-03	Fan	1	†	KH-M-445010	Screw, Hex Flange M4 x.7 x 10 (To attach harness to baffle)	2
13	KH-12-162-05	Screen, Grass	1				

† Not Shown

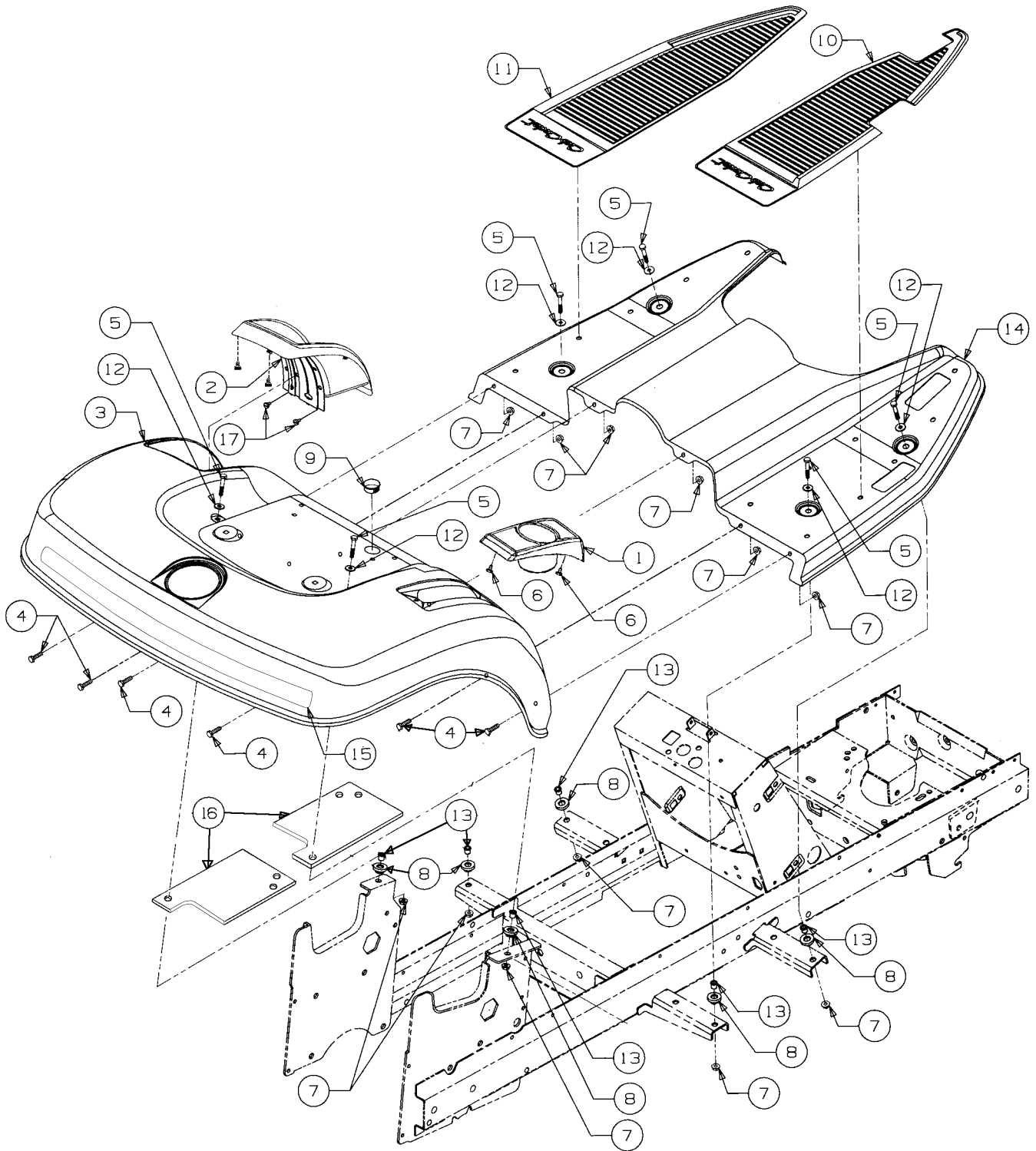
# GRILLE, HOOD AND SIDE PANELS



**GRILLE, HOOD AND SIDE PANELS**

REF. NO.	PART NUMBER	DESCRIPTION	QTY.
1	603-0211	Bracket, Grille LH	1
2	603-0212	Bracket, Grille RH	1
3	603-04063	Bracket, Upper Hood	1
4	703-2396	Panel, RH Side	1
	777D07671	Graphic, LT2138	1
	777X40079	Strip, Protective	1
5	703-2397	Panel, LH Side	1
	777D07671	Graphic, LT2138	1
	777X40079	Strip, Protective	1
6	703-2398	Grille	1
	777I20314	Graphic, Warning HOT	1
7	703-2465	Link, Short Hood	2
8	703-2466A	Link, Long Hood	2
9	703-2495	Screen, LH Panel	1
10	703-2496	Screen, RH Panel	1
11	710-0351	Screw, Truss Mach Tapp, #10 x .50	6
12	710-0599	Screw, Hex Wash Hd Tapp, 1/4 x .50	4
13	712-3027	Nut, Hex Flange Lock, 1/4-20	8
14	712-0397	Nut, Wing, 1/4-20	2
15	726-0139	Nut, U-Type Speed, #10	2
16	625-04001A	Headlight Assy (Includes Lamp and Socket)	1
	725-0963	Lamp, 12V	2
	725-1649	Socket, Lamp	2
	777X41348	Reflector, Headlight	1
17	732-0334	Spring, Compression, .50 OD x .50	4
18	732-1178	Spring, Hood Latch	1
19	736-0175	Washer, Spring, .265 x .562 x .025	8
20	736-0400	Washer, Flat, .218 x .62 x .063	2
21	738-3141	Bolt, Shoulder, .31 Dia x .75 Lg	2
22	748-3055	Bushing, Tapered	4
23	959-3747B	Hood, Series 2000	1
	777D07681	Graphic, Hood - RH	1
	777D07682	Graphic, Hood - LH	1
24	710-0436	Screw, Hex Tapp, 10-16 x .625	2
25	710-1005	Screw, Hex Wash Hd Tapp, 1/4-14 x .5	2
26	723-3061-19	Seal, Heat Baffle	19in

# FENDER AND RUNNING BOARD



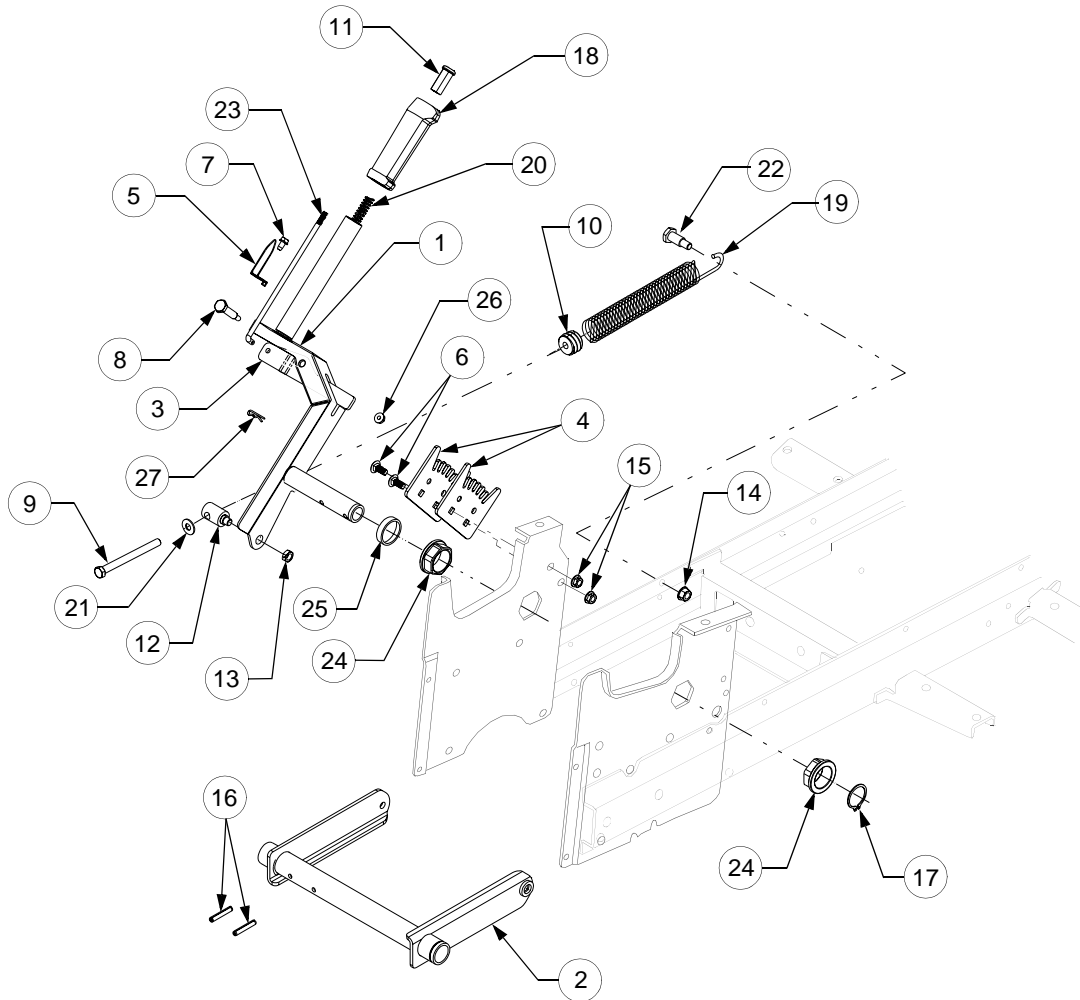


---

## FENDER AND RUNNING BOARD

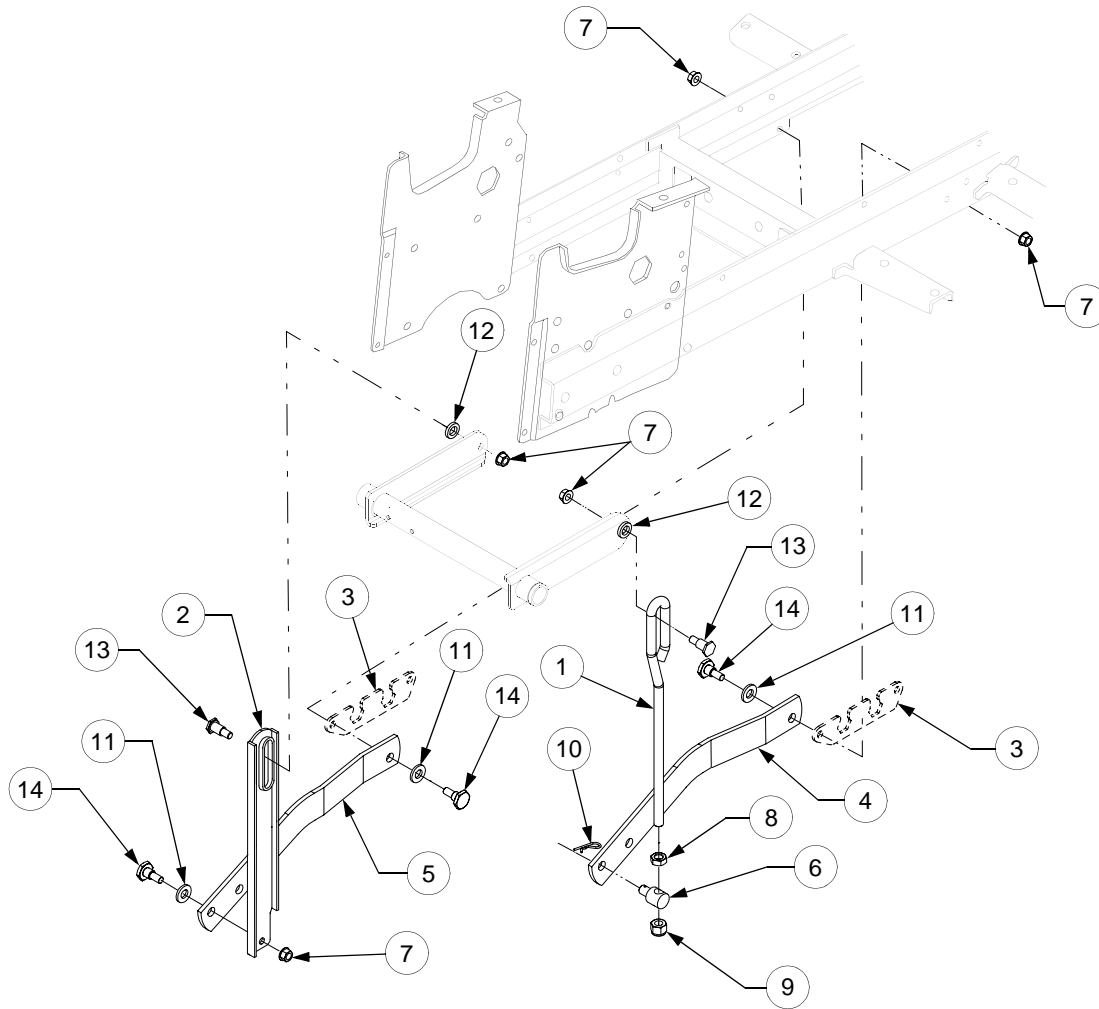
REF. NO.	PART NUMBER	DESCRIPTION	QTY.
1	731-3212	Cup Holder	1
2	631-3002	Cover, Implement Lift	1
3	703-2278B	Fender	1
4	710-0751	Screw, Hex Cap, 1/4-20 x .62	6
5	710-0597	Screw, Hex Cap, 1/4-20 x 1.0	6
6	710-1268	Screw, Hex Tapp, #10 x .38 Lg	2
7	712-3027	Nut, Hex Flange Lock, 1/4-20	12
8	722-0258	Grommet, Insulator	6
9	723-3042	Bushing, Snap, 7/8 ID	1
10	735-3046A	Pad, RH Foot	1
11	735-3047	Pad, LH Foot	1
12	736-3090	Washer, Flat, .255 x .72 x .06	6
13	750-3169	Spacer, .28 ID x .40 OD x .42 Lg	6
14	703-2279	Running Board w/Graphic	1
	777S30170	Graphic, Warning	1
15	777D07926	Graphic, Rear Fender	1
16	703-2628	Bracket, Fender Reinforcement	2
17	710-0224	Screw, Hex Tapp, #10-16 x .5	4

## IMPLEMENT LIFT HANDLE



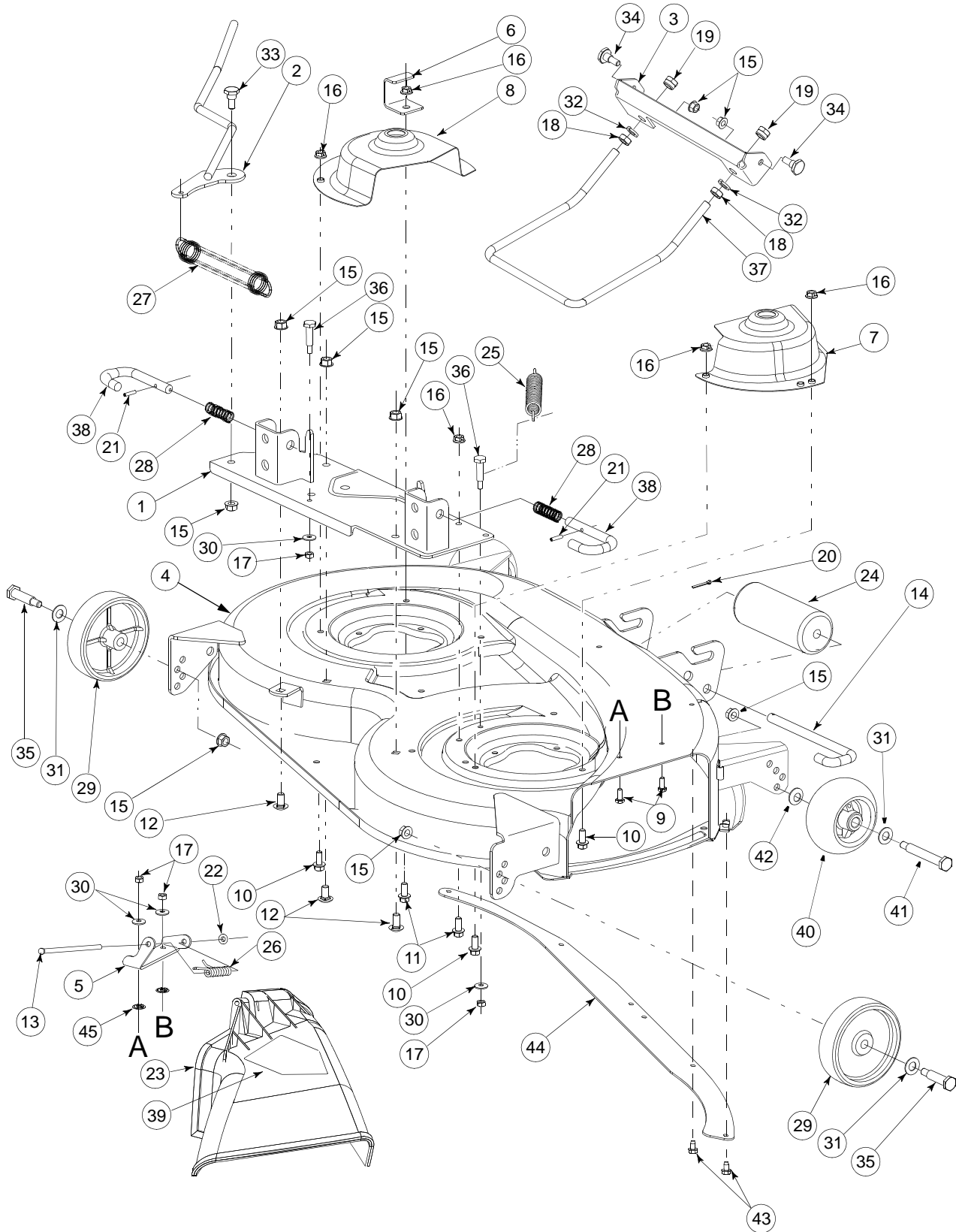
REF. NO.	PART NUMBER	DESCRIPTION	QTY.	REF. NO.	PART NUMBER	DESCRIPTION	QTY.
1	603-04141	Handle Assembly, Lift	1	14	712-0431	Nut, Hex Flanged Lock, 3/8-16	1
2	603-0059A	Shaft Assembly, Lift	1	15	712-3004A	Nut, Hex Flanged Top Lock, 5/16-18	2
3	603-05247	Fork, Lift	1	16	715-0114A	Pin, Spiral Spring, 1/4 Dia x 1.5	2
4	703-2239A	Bracket, Lift Index	2	17	716-0116	Ring, Snap, 1.25 Dia Shaft	1
5	703-2558	Indicator, Lift Height	1	18	731-3158	Grip, Lift Handle	1
6	710-0451	Bolt, Carriage, 5/16-18 x .75	2	19	732-3093	Spring, Extension	1
7	710-0599	Screw, Hex Wash Tapp, 1/4 x .5	1	20	732-3097	Spring, Compression	1
8	738-0560	Screw, Shoulder, .374 x 1.375	1	21	736-0267	Washer, Flat, .385 x .87 x .06	1
9	710-3279	Screw, Hex Cap, 3/8-16 x 4.25 GR5	1	22	738-0145	Bolt, Shoulder	1
10	711-0635	Insert, Spring	1	23	747-3175A	Rod, Index	1
11	711-0642A	Button, Handle	1	24	748-3051	Bearing, Hex Flange, 1.25 ID	2
12	711-3350	Ferrule, Adjustment	1	25	750-3131	Spacer, 1.28 ID x 1.5 OD x .335 Lg	1
13	712-0262	Nut, Hex Center Lock, Jam, 3/8-24	1	26	712-3027	Nut, Hex Flange Lock, 1/4-20	1
				27	714-0104	Pin, Internal Cotter	1

## IMPLEMENT LIFT HANGER



REF. NO.	PART NUMBER	DESCRIPTION	QTY.
1	747-04196	Rod, Lift Link	1
2	703-2234	Bracket, LH Hanger	1
3	703-2804	Plate, Bearing Mounting	2
4	703-2832	Link, RH Lift	1
5	703-2833	Link, LH Lift	1
6	711-3319	Ferrule, Adjustment	1
7	712-0431	Nut, Hex Flange Lock, 3/8-16	5
8	712-3048	Nut, Hex Jam, 1/2-13 GR5	1
9	712-3083	Nut, Hex Insert Lock, 1/2-13	1
10	714-0145	Pin, Internal Cotter	1
11	736-0326	Washer, Flat, .5 x 1.5 x .15	3
12	736-3069	Washer, Flat, .531 x .875 x .15	2
13	738-0430	Bolt, Shoulder	2
14	738-0507B	Bolt, Shoulder	3

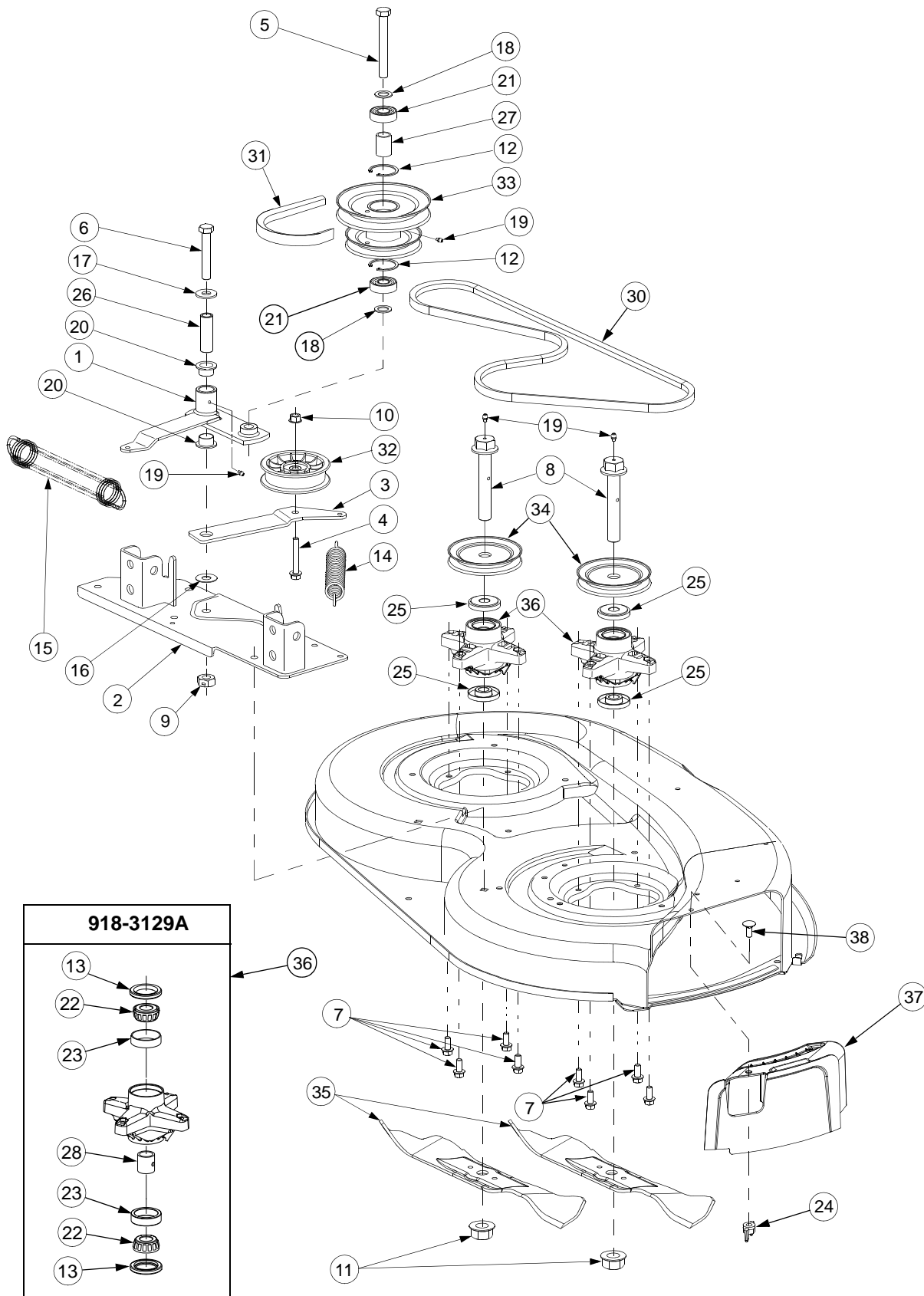
### 38" DECK ASSEMBLY



### 38" DECK ASSEMBLY

REF. NO.	PART NUMBER	DESCRIPTION	QTY.
1	603-0181A	Plate Assembly, Mounting	1
2	603-0199	Handle, Tension	1
3	703-2248	Bracket, Front Lift	1
4	603-0408B	Deck Assembly, 38"	1
	777S30503	Graphic, Danger Top/RH Deck	1
	777S30014	Graphic, Tension Lever	1
	777S30018	Graphic, Safety Top/LH Deck	1
	777D07929	Graphic, Cut	1
	777D07873	Graphic, 38" Cut	2
5	703-1693A	Bracket, Hinge Mounting	1
6	703-2559	Bracket, Handle Stop	1
7	703-3237	Shield, RH Pulley	1
8	703-2945	Shield, LH Pulley	1
9	710-0751	Screw, Hex Cap, 1/4-20 x .62 GR5	2
10	710-1260A	Screw, Hx Wsh Hd Tapp, 5/16-18 x .75	3
11	710-3008	Screw, Hex Cap, 5/16-18 x .75 GR5	2
12	710-3178	Bolt, Carriage, 3/8-16 x .75	3
13	711-0792	Pin, Hinge, .25 Dia x 6.75 Lg	1
14	711-3314	Pin, Roller, 1/2 Dia x 7.31 Lg	1
15	712-0431	Nut, Hex Flange Lock, 3/8-16	10
16	712-3004A	Nut, Hex Flange Lock, 5/16-18 GR5	5
17	712-3006	Nut, Hex, 1/4-20	4
18	712-3048	Nut, Hex Jam, 1/2-13 GR5	2
19	712-3083	Nut, Hex Insert Lock, 1/2-13	2
20	714-3004	Pin, Cotter, 3/32 x 1.25	1
21	715-3003	Pin, Spirol Spring, 3/16 x .75	2
22	726-0106	Cap, Speed Nut	1
23	731-1032B	Deflector Assy, (Incl. #5, 13, 22, 26, 45)	1
24	731-3005	Roller	1
25	732-0262	Spring, Extension, .88 OD x 6.12	1
26	732-0602A	Spring, Torsion	1
27	732-3115	Spring, Extension, 1.25 OD x 8.15	1
28	732-3127	Spring, Compression	2
29	734-0973	Wheel, Deck, 5 in. Dia	2
30	736-0270	Washer, Bell, .265 x .75 x .062	4
31	736-0272	Washer, Flat, .510 x 1.0 x .060	4
32	736-0921	Washer, Lock, 1/2	2
33	738-0143	Bolt, Shoulder, .498 Dia x .340 Lg	1
34	738-507B	Bolt, Shoulder, .50 Dia x .434 Lg	2
35	738-0533	Bolt, Shoulder, .498 Dia x 1.64 Lg	2
36	738-0572	Bolt, Shoulder, .375 Dia x 1.16 Lg	2
37	747-3172B	Rod, Front Lift	1
38	747-3188	Pin, Mower Support	2
39	777S30284	Graphic, Danger	1
40	703-1890	Wheel, Deck w/Fitting	2
	737-0280	Lube Fitting	2
41	738-3056	Bolt, Shoulder, 1/2 x 2.5	2
42	736-0105	Washer, Bell, .401 x .870 x .063	2
43	710-0599	Screw, Self Tapping, 1/4-20 x .5	6
44	783-1297	Skirt, Deck	1
45	726-0233	Nut, Push, 1/4	2

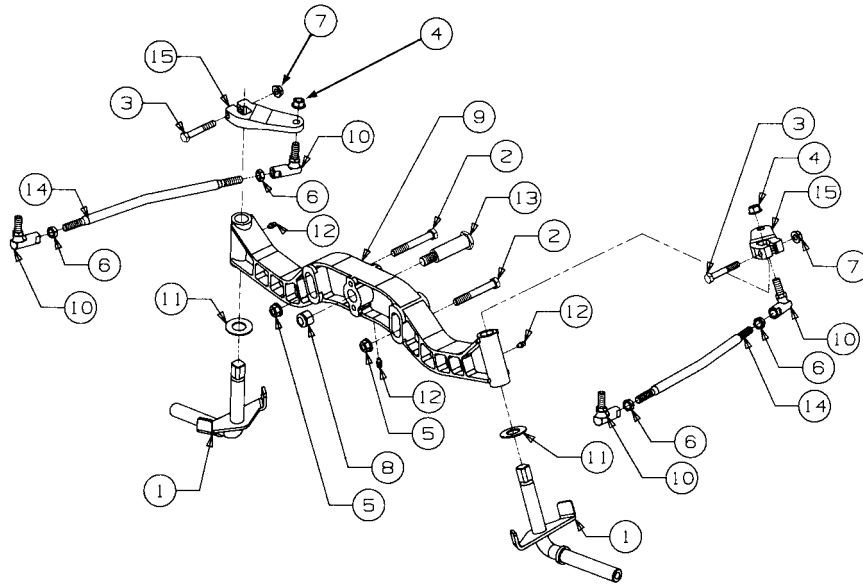
### 38" SPINDLE ASSEMBLY



### 38" SPINDLE ASSEMBLY

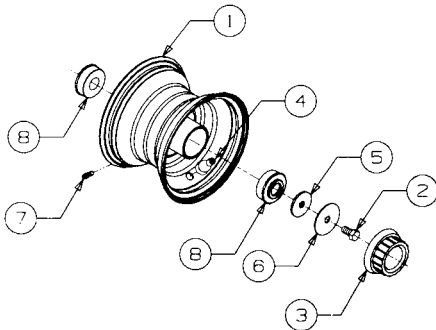
REF. NO.	PART NUMBER	DESCRIPTION	QTY.
	603-0857	Pivot Arm, Double Pulley	1
2	603-0181A	Plate Assembly, Mounting	1
3	703-2463	Arm, Idler	1
4	710-0520	Screw, Hex Cap, 3/8-16 x 1.5 GR5	1
5	710-0923	Screw, Hex Cap, 5/8-18 x 3.0 GR5	1
6	710-1010	Screw, Hex Cap, 1/2-20 x 3.0 GR8	1
7	710-1260A	Screw, Hex Wsh Hd Tap, 5/16-18 x .75	8
8	710-1336A	Bolt, Spindle, 3/4-16 x 4.25	2
9	712-0239	Nut, Hex Center Lock, 1/2-20	1
10	712-0431	Nut, Hex Flange Lock, 3/8-16	1
11	712-3078	Nut, Hex Flange, 3/4-16	2
12	716-3020	Snap Ring, Internal	2
13	721-3018A	Seal, Oil, 1.25 x 1.874 x .25	4
14	732-0262	Spring, Extension, .88 x 6.12	1
15	732-3115	Spring, Extension, 1.25 x 8.15	1
16	736-0100	Washer, Flat, .531 x 1.25 x .036	1
17	736-0179	Washer, Flat, .531 x 1.25 x .100	1
18	736-0237	Washer, Flat, .65 x 1.25 x .075 Hdn.	2
19	737-3000	Fitting, 3/16 Drive Lube	4
20	741-0338	Bearing, Flange, 3/4 ID x .53 Lg	2
21	741-1122	Bearing, .625 ID x 1.574 OD x 470	2
22	741-04089	Cone, Bearing	4
23	741-04091	Cup, Bearing	4
24	712-3087	Nut, Wing, 1/4-20	1
25	748-3065	Spacer, Deck Spindle	4
26	750-0656	Spacer, Idlr Brkt .50 ID x .75 OD x 2.25	1
27	750-3132	Spacer, Pulley .635 ID x .88 OD x 1.25	1
28	750-3190A	Spacer, Bearing, .780 x .963 x .777	2
30	754-3029	Belt, Spindle, A-Section x 59 Lg	1
31	754-04041	Belt, PTO, B-Section x 111.2 Lg	1
32	756-0627B	Pulley, Flat Idler, 3.5 OD	1
33	756-3113	Pulley, Double	1
	737-3000	Fitting, 3/16 Drive Lube (Not Incl. w/ #33)	2
34	756-3089	V-Pulley, 4.0 Dia	2
35	759-3829	Blade, 3 In One, 19.38 Lg	2
36	618-3129B	Spindle, Blade	2
37	731-2363	Plug, Mulch	1
38	710-0134	Screw, Carriage, 1/4-20 x .62	1

### FRONT AXLE AND CONNECTIONS



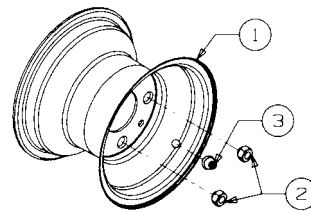
REF. NO.	PART NUMBER	DESCRIPTION	QTY.	REF. NO.	PART NUMBER	DESCRIPTION	QTY.
1	603-0066	Knuckle Assembly, Steering	2	9	719-3095	Axle, Front Pivot	1
2	710-3066	Screw, Hex Cap, 3/8-16 x 2.75 GR8	2	10	723-0156	Joint, Ball, 3/8-24	4
3	710-3103	Screw, Hex Cap, 5/16-18 x 2 GR5	2	11	736-0188	Washer, Flat, .760 x 1.49 x .06 Thk.	2
4	712-3054	Nut, Hex Lock, 3/8-24 GR5	2	12	737-3000	Fitting, Lube, 3/16 Drive Type	3
5	712-0431	Nut, Hex Flanged Lock, 3/8-16	2	13	738-3110	Bolt, Pivot Shoulder, 3/4 Dia x 2.23	1
6	712-0711	Nut, Hex Jam, 3/8-24 GR2	4	14	747-3171	Rod, Tie	2
7	712-3004A	Nut, Hex Flange Top Lock, 5/16-18	2	15	748-3049	Arm, Steering	2
8	712-3083	Nut, Hex Top Nylon Lock, 1/2-13	1				

### FRONT WHEEL



REF. NO.	PART NUMBER	DESCRIPTION	QTY.
	734-3186	Tire, Cub Tread, 15 x 6 x 6	2
1	634-3015	Rim Assy, Front	2
2	710-3119	Bolt, Hex Patch, 3/8-16 x .75 GR5	2
3	731-3020	Cap, Hub	2
4	734-0255	Valve, Tubeless Air	2
5	736-3039	Washer, Flat, .406 x 1.5 x .110	2
6	736-3040	Washer, Flat, .406 x 1.92 x .06	2
7	737-0224	Fitting, Grease	2
8	741-3032	Bearing, Ball	4

### REAR WHEEL



REF. NO.	PART NUMBER	DESCRIPTION	QTY.
	734-3189	Tire, Cub Tread, 20 x 9 x 8	2
1	634-3187	Rim Assy, Rear	2
2	712-3050	Nut, Lug, 7/16-14	8
3	734-0255	Valve, Tubeless Air	2



## Free Manuals Download Website

<http://myh66.com>

<http://usermanuals.us>

<http://www.somanuals.com>

<http://www.4manuals.cc>

<http://www.manual-lib.com>

<http://www.404manual.com>

<http://www.luxmanual.com>

<http://aubethermostatmanual.com>

Golf course search by state

<http://golfingnear.com>

Email search by domain

<http://emailbydomain.com>

Auto manuals search

<http://auto.somanuals.com>

TV manuals search

<http://tv.somanuals.com>