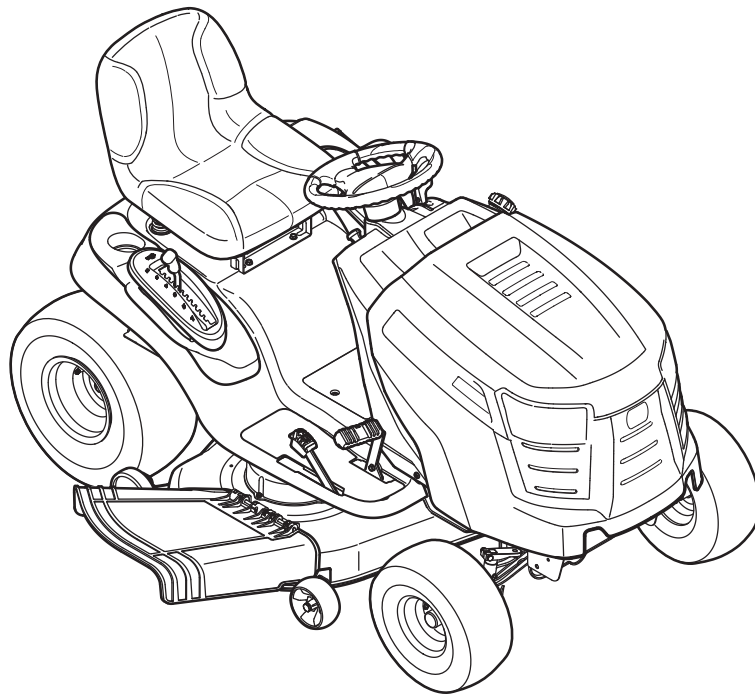

Cub Cadet[®]

ILLUSTRATED PARTS MANUAL



Hydrostatic Lawn Tractor — LTX1042 & LTX1045

CUB CADET LLC, P.O. BOX 361131 CLEVELAND, OHIO 44136-0019

Printed In USA

Form No. 769-07488
October 11, 2011

To The Owner

Thank you for purchasing an Cub Cadet Lawn Tractor. It was carefully engineered to provide excellent performance when properly operated and maintained.

All information in this manual is relative to the most recent product information available at the time of printing. Please be aware that this Illustrated Part's Manual may cover a range of product specifications for various models.

Components listed and/or illustrated in this manual may not be applicable to all models. We reserve the right to change product specifications, designs and equipment without notice and without incurring obligation.

Throughout this manual, all references to *right* (RH) and *left* (LH) are observed from the operating position.

Table of Contents

Axle, Front	4	Frame	6
Battery	6	Fuel Tank	10
Head Lamps	10	Hood	10
Mower Deck, 42-inch	16	Deck Lift Handle/Linkage	8
Mower Deck, 46-inch	18	Labels	30-31
Pedal Controls	12/14	Meter, Systems Indicator	10
Dash Panel	10	Muffler	27-29
Drive System (Hydro Gear)	12	PTO Lever	6
Drive System (Tuff Torq)	14	Seat	8
Electrical Schematic	32	Solenoid	6
Engine Accessories (Kohler)	27-28	Steering	4
Engine Accessories (Kawasaki)	29	Switches, Interlock	6
Engine, Kohler SV600-3225	34-46	Throttle Control	10
Engine, Kawasaki FR600V-AS06	47-60	Transmission, Hydrostatic (Hydro-Gear)	20
Engine, Kohler SV710-0033	62-77	Transmission, Hydrostatic (Tuff-Torq)	24
Fender	8	Wheels, Front & Rear	3

Record Product Information

To ease in ordering replacement parts, please locate the model plate on the equipment and record the information in the provided area to the right. You can locate the model plate by looking beneath the seat.

MODEL NUMBER

--	--	--	--	--	--	--	--	--	--	--

SERIAL NUMBER

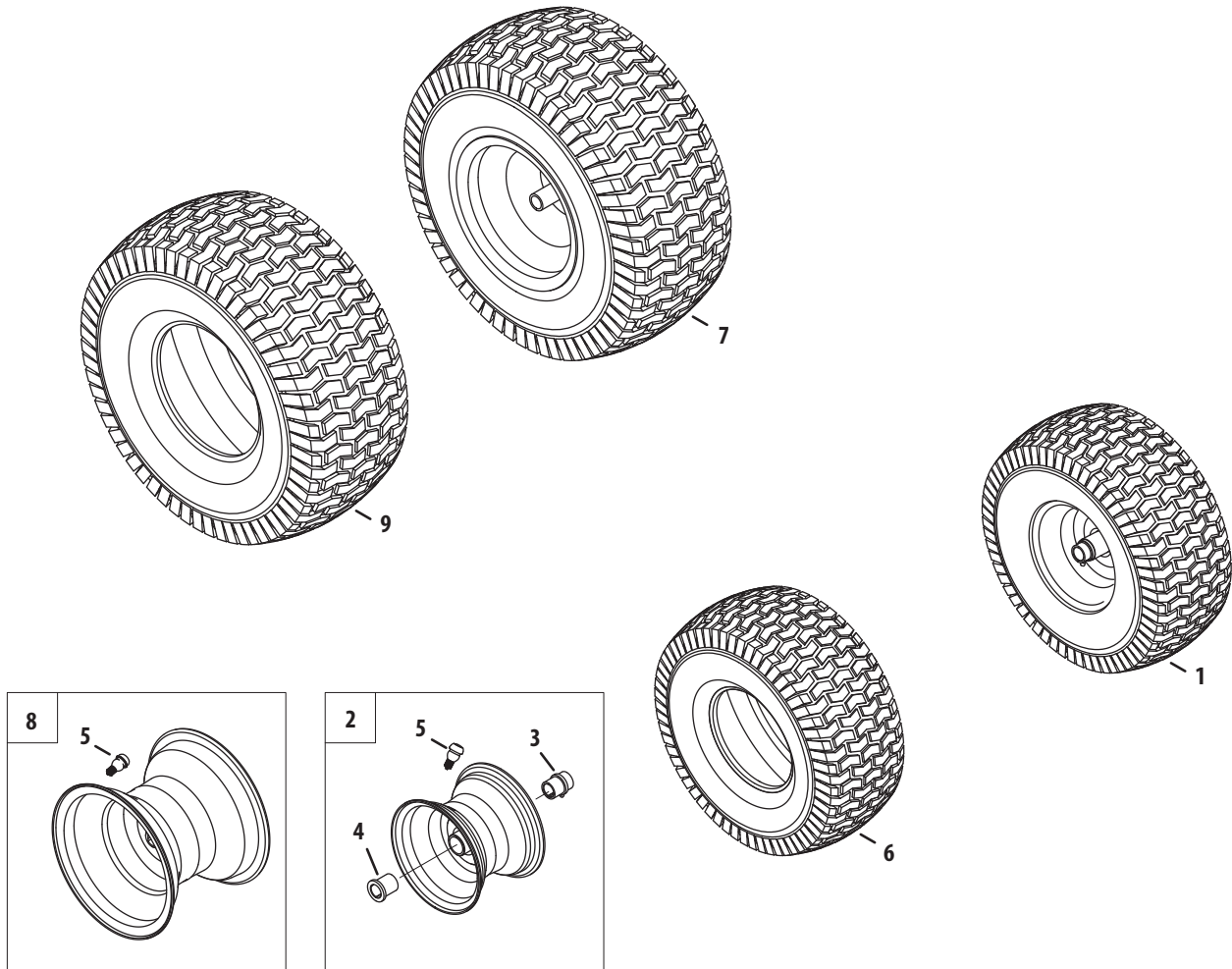
--	--	--	--	--	--	--	--	--	--	--

Painted Parts

When ordering painted service parts, a four digit color suffix must be added to the part number (e.g. 783-XXXXX-0637). Please refer to the table below for current color codes:

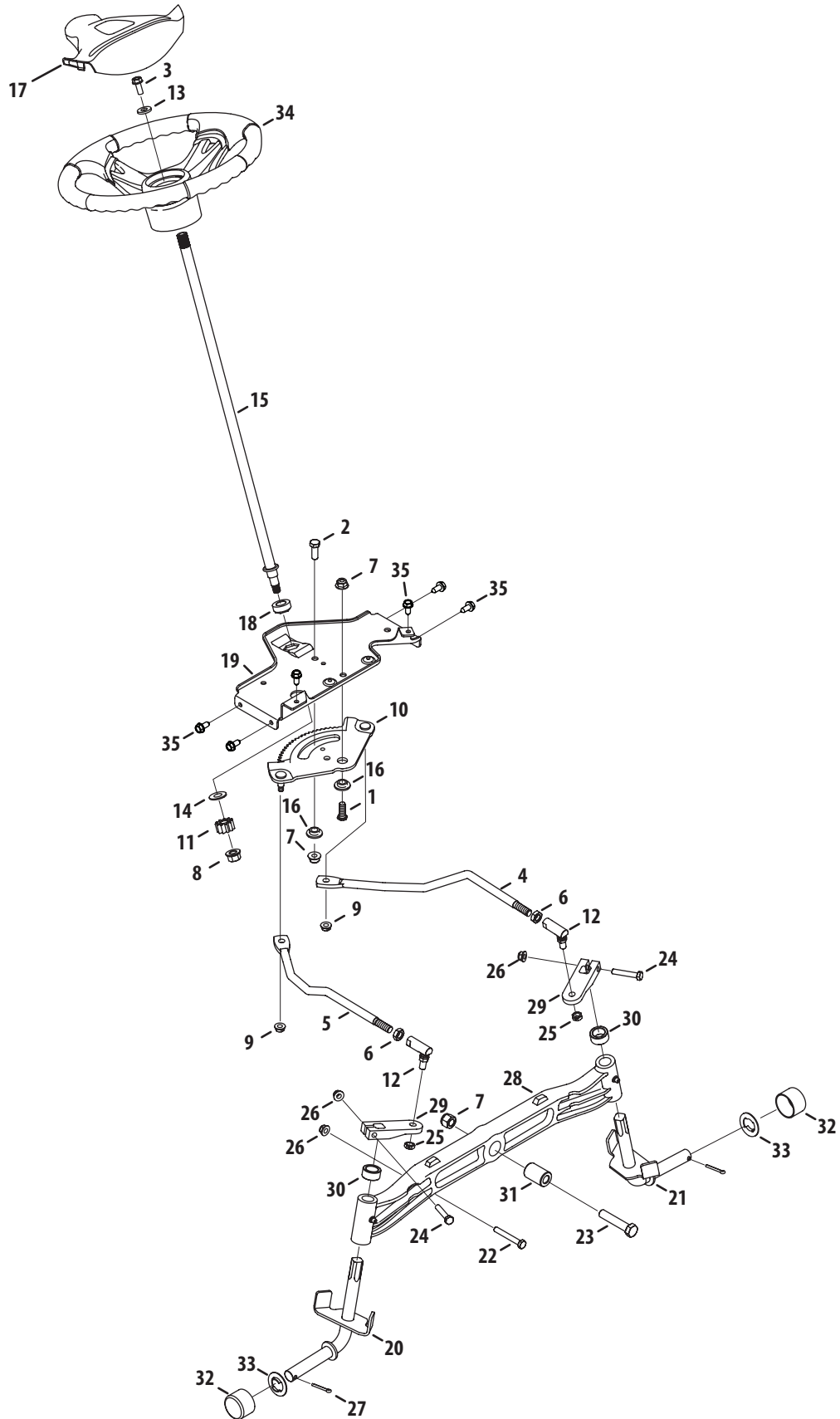
0637	Black
4021	Yellow (Cub Cadet)
0499	Beige (Cub Cadet)

0685	Blue (Cub Cadet)
0691	Black Jack (Cub Cadet Commercial)



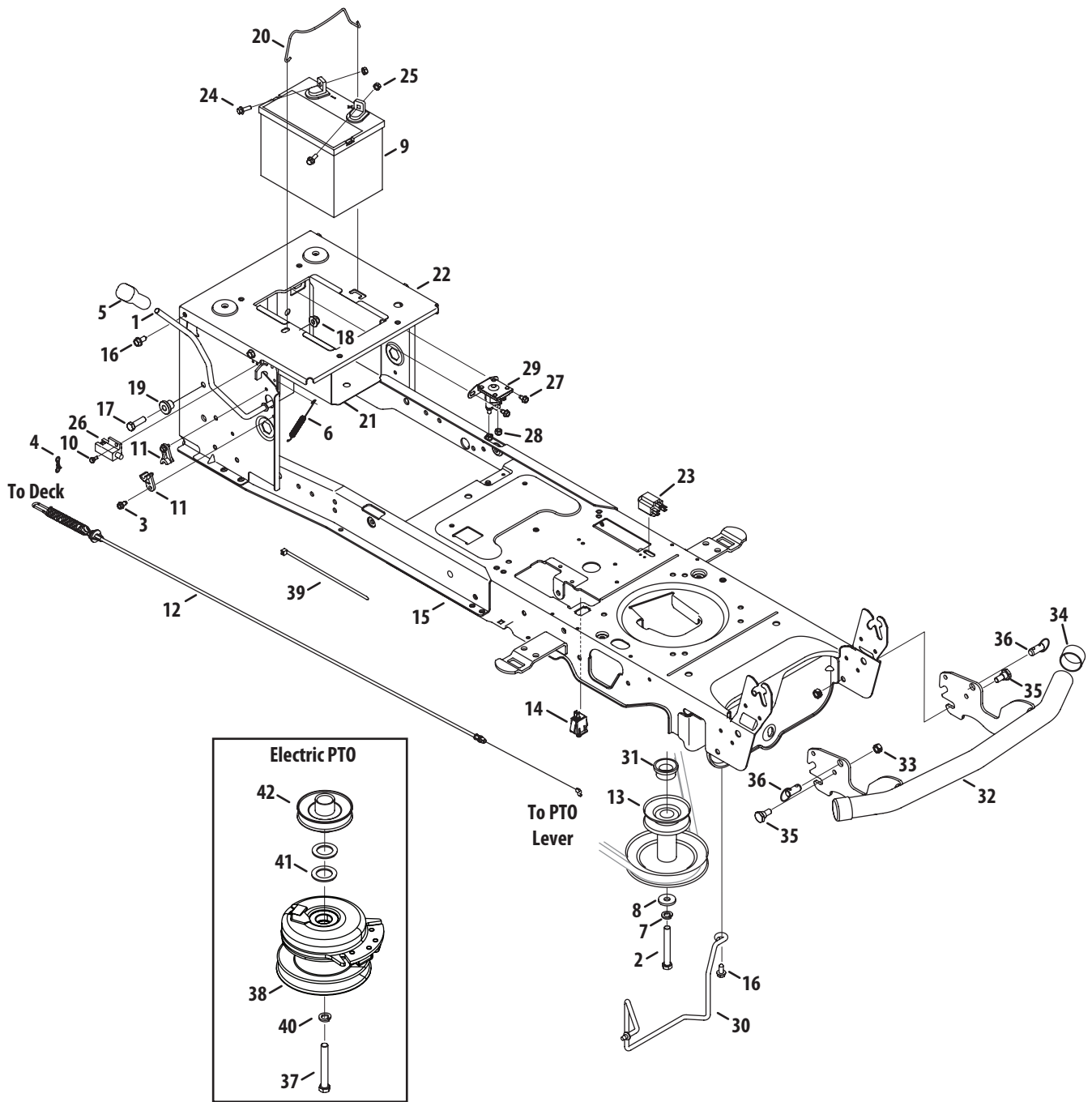
Ref.	Part Number	Description
1.	634-04406-0931	Wheel Ass'y, Complete, 15 x 6 x 6
2.	634-04405-0499	Rim Ass'y, 6.0 x 4.5, Plastic Bearings
3.	741-0990B	Bearing, Flange, .760 ID w/ Fitting
4.	741-0516B	Bearing, Flange, .760 x 1.00 x 1.20
5.	934-0255	Valve, Tubeless Air
6.	734-1731-0901	Tire, 15 x 6 x 6 Sq Shoulder
7.	634-0104-0931	Wheel, Complete, 20 x 8 x 8
8.	634-04369-0499	Rim Ass'y, 8.0 x 7.0 x .750 ID
9.	734-1730-0901	Tire, 20 x 8 x 8 Sq Shoulder

Steering



Ref.	Part Number	Description
1.	710-04095	Hex Screw, 3/8-16, 1.00, Gr5, Spec
2.	710-0514	Hex Screw, 3/8-16, 1.00, Gr5, Std
3.	710-0650	Hex Screw, 5/16-18, .875, Gr5, Lock
4.	711-04998	Link, Drag LH
5.	711-04999	Link, Drag RH
6.	912-0240	Nut, Jam, 7/16-20, Gr2
7.	712-04065	Nut, Flange Lock, 3/8-16, Grf,
8.	712-0459	Nut, Flange Lock, 7/16-20, Grb, Lock
9.	712-3004A	Nut, Flange Lock, 5/16-18, Gr5, Sd Lk
10.	717-1550F	Gear, Steering, 11/90 Ratio
11.	717-1554	Gear, Pinion, Steering
12.	923-0448A	Ball Joint, 7/16-20, Lock
13.	936-3004	Washer, Flat, .406 x .875 x .105
14.	736-3084	Washer, Flat, .51 x 1.12 x .06
15.	738-04262	Shaft, Steering, .625 OD x 25, Cub
16.	738-04363	Spacer, Shoulder, .385x 1.25 x .3025
17.	731-04532B	Cover, Steering Wheel, Cub Cadet
18.	741-04237B	Bearing, Flange, Hex 5/8 Pm
19.	783-06043	Bracket, Support, Steering
20.	638-04021	Axle Ass'y, RH .750 Dia. (42" Deck)
	638-04022	Axle Ass'y, RH .750 Dia. (46" Deck)
21.	638-04027	Axle Ass'y, LH .750 Dia. (42" Deck)
	638-04028	Axle Ass'y, LH .750 Dia. (46" Deck)
22.	710-0395	Hex Screw, 5/16-18, 2.25, Gr5, Std
23.	710-0859	Hex Screw, 3/8-16, 2.50, Gr5, Std
24.	710-3180	Hex Screw, 5/16-18, 1.75, Gr5, Std
25.	912-0214	Nut, Hex Lock, 3/8-24, Grb
26.	712-04063	Nut, Flange Lock, 5/16-18, Grf
27.	714-0162	Pin, Cotter, 5/32, 1.25
28.	719-04413A	Axle, Pivot Bar, Cast
29.	748-04065	Steering, Block
30.	748-04068	Spacer, .71 ID x .125 OD x .56
31.	750-05280	Spacer, .385 x 1.00 x 1.5075
32.	731-08049	Cap, Bumper
	731-2290A	Cap, Hub (International)
33.	736-04228A	Washer, Flat, .350 x 1.559 x .062
34.	631-04008A	Wheel, Steering, 3 Spoke, Softgrip
35.	710-04484	Screw, Self-tapping, 5/16-18, .750,

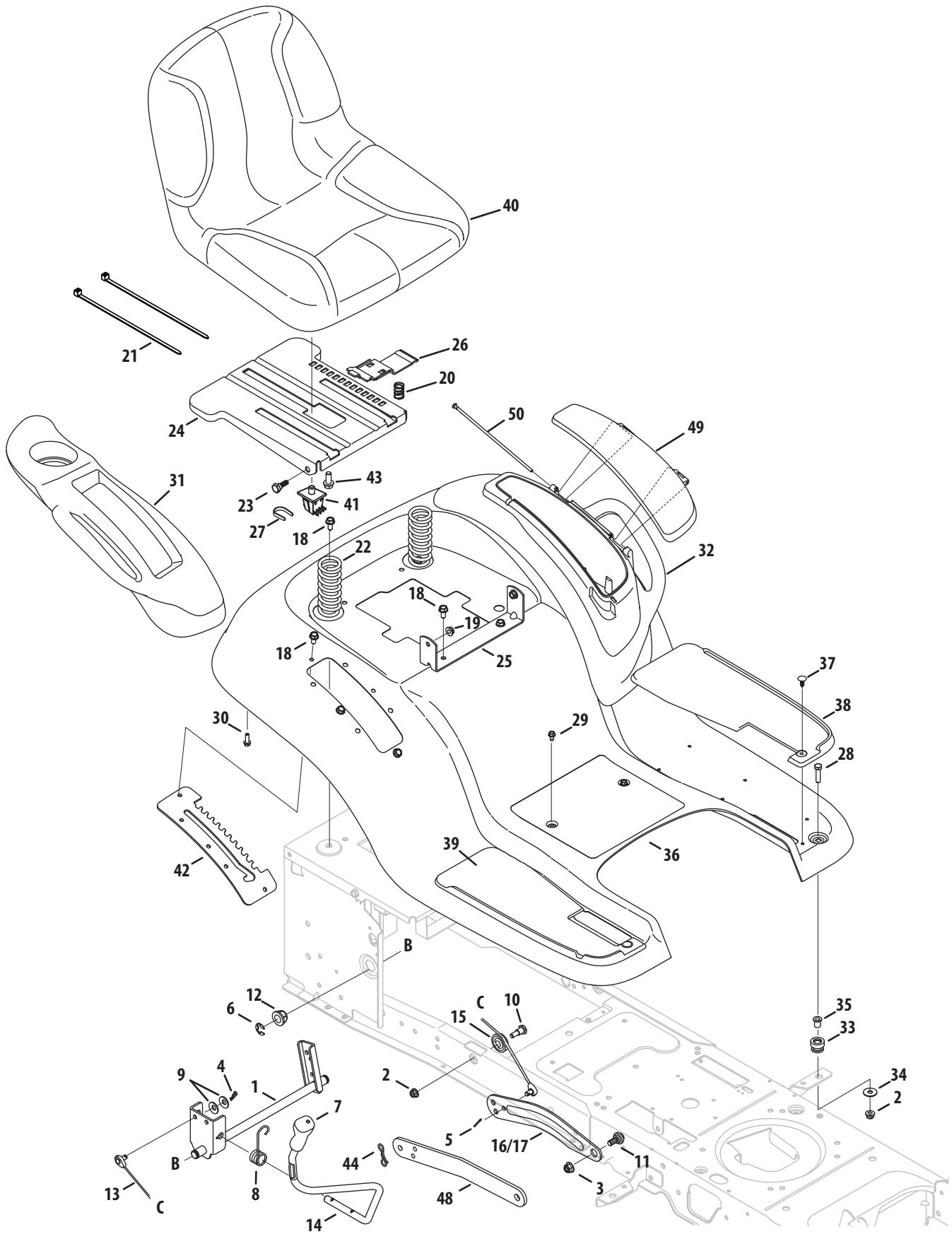
Frame, Electrical and PTO



Frame, Electrical and PTO

Ref.	Part Number	Description	Ref.	Part Number	Description
1.	647-04151	Handle Ass'y, PTO	23.	725-04232	Switch, 3-Pole
2.	710-04876	Hex Screw, 7/16-20, 3.50, Gr5	24.	710-04666	Hex Flange Screw, 1/4-20, .75, Gr5
3.	710-0599	Screw, Self-tapping, 1/4-20, 0.50	25.	712-0271	Nut, Sems, 1/4-20
4.	714-04040	Pin, Cotter, Bow-Tie 72	26.	725-04363	Switch, Interlock
5.	720-04140B	Grip, Handle, Cub	27.	710-0653	Screw, Self-tapping, 1/4-20, 0.375,
6.	732-0932	Spring, Ext, .38 Dia x 5.6	28.	712-04064	Nut, Flange Lock, 1/4-20, Grf,
7.	936-0171	Washer, Lock, 7/16, Regular Duty	29.	725-04439	Solenoid, 12V, 100 Amp, 4 term
8.	736-0322	Washer, Flat, .450 x 1.250 x .164	30.	747-05171A	Rod, Keeper
9.	925-1707D	Battery	31.	750-0956	Spacer, 1.010 x 1.40 x .825
10.	738-04237A	Screw, Shoulder, #10-32, .500	32.	683-04219B	Bumper Assembly, Universal
11.	741-04119A	Bearing, PTO	33.	912-3000	Nut, Hex Lock, 3/8-16, GrB
12.	946-04618A	Cable, Engag, Deck	34.	731-05674	Cap, Bumper
13.	956-04067A	Pulley, Engine, 3.56 x 6.12 Dia.	35.	738-0143	Bolt, Shoulder, .496 x .336, 3/8-16
14.	725-04807	Switch, Plunger, Snap Mount	36.	714-04061	Pin, Quick Release, 1/2 Dia x .50
15.	683-04469B	Frame Ass'y, Lower	37.	710-04379A	Hex Screw, 7/16-20, 3.50, Gr5, Lock
16.	710-04484	Screw, Self-tapping, 5/16-18, .750,	38.	917-04163A	Clutch, Electric PTO
17.	710-05097	Hex Screw, 3/8-16, 1.50, Gr2	39.	725-0157	Cable, Tie, 3/16 X .05 X 7.4
18.	712-04065	Nut, Flange Lock, 3/8-16, Grf,	40.	936-0171	Washer, Lock, 7/16, Regular Duty
19.	738-04058	Spacer, Shoulder, .38 x 1.0 x .70	41.	736-0277	Washer, Flat, 1.031 X1.620 X.095
20.	747-04121A	Rod, Battery	42.	756-0978B	Engine Pulley, Electric PTO
21.	783-0349	Tray, Battery	—	925-04094	Wire Harness, Main
22.	783-06089	Bracket, Frame, Seat	—	925-04093	Wire Harness, Main (International)

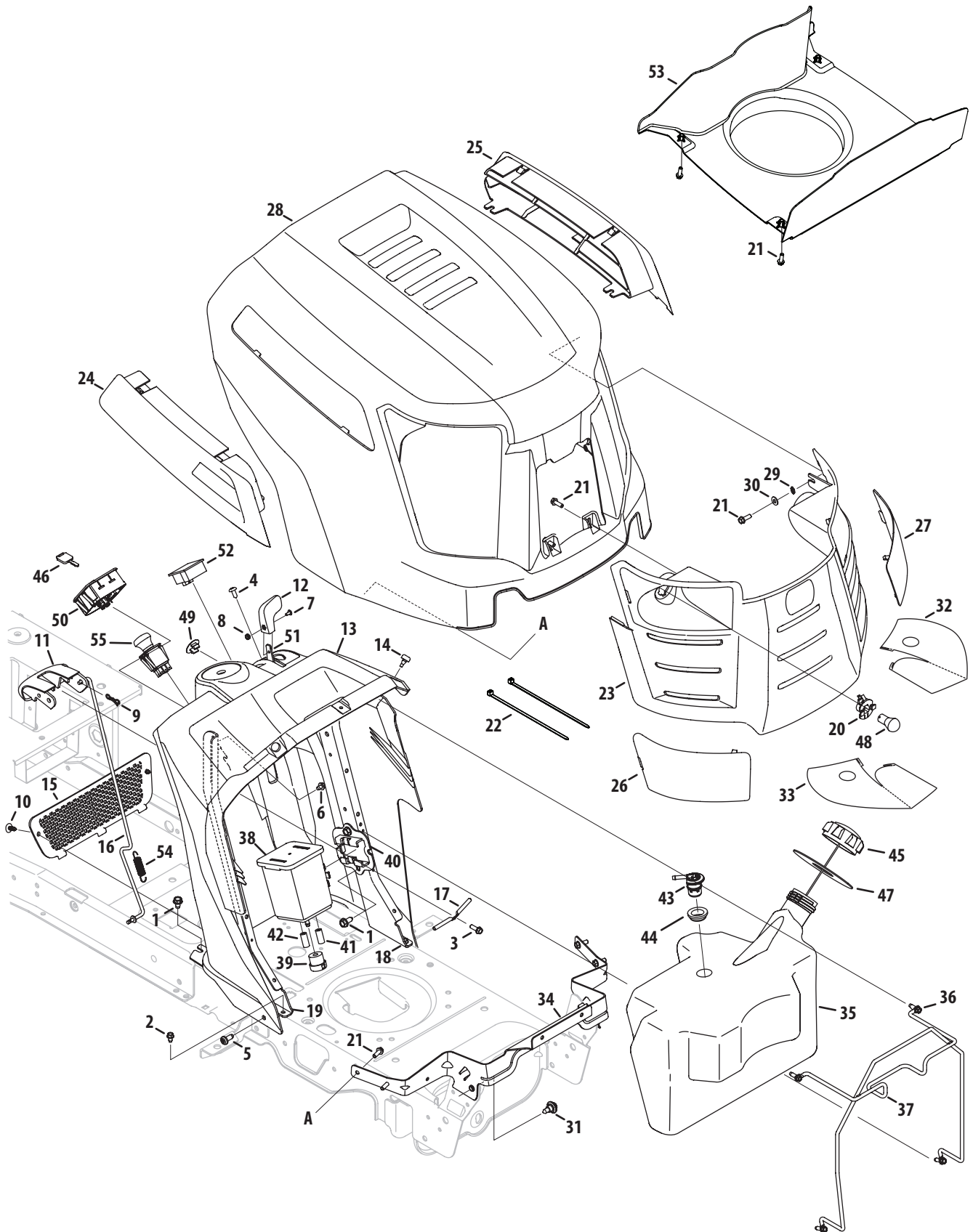
Seat, Fender and Lift



Seat, Fender and Lift

Ref.	Part Number	Description	Ref.	Part Number	Description
1.	683-04223	Shaft Ass'y, Lift	25.	783-06088	Bracket, Pivot, Seat
2.	712-04063	Nut, Flange Lock, 5/16-18, Grf	26.	783-06050	Lever, Seat Adjustment
3.	712-04065	Nut, Flange Lock, 3/8-16, Grf	27.	783-06448	Clip, Retaining, Switch
4.	914-0104	Pin, Cotter, .072 Dia. x 1.13	28.	710-0528	Hex Screw, 5/16-18, 1.25, Gr5, Std
5.	714-04040	Pin, Cotter, Bow-Tie 72 (42")	29.	710-0599	Screw, Self-tapping, 1/4-20, 0.500,
6.	716-0106A	Ring, E Type, .625 Dia. Shaft	30.	710-0895	Screw, HL, 1/4-15, 0.750,
7.	720-04139B	Grip, Handle, Cub, .50 ID	31.	731-06700	Cover, Fender, RH
8.	732-0874	Spring, Torsion	32.	731-06676	Cover, Fender, LH
9.	736-0105	Washer, Spring, .401 x .870 x .063	33.	735-0690	Grommet, .4375 ID x .750
10.	738-0138A	Screw, Shoulder, .437 x .470, 5/16-18	34.	736-3078	Washer, Flat .344 x 1.00 x .063
11.	738-04130	Bolt, Shoulder, .625, 3/8-16 (42")	35.	750-3310	Spacer, Flange, .3125 x .4375 x .625
	938-0380	Bolt, Shoulder, .50, 3/8-16 (46")	36.	783-06118	Fender, Cub Hydro
12.	941-0225	Bearing, Hex Flange	37.	726-3046	Clip, Ratchet, .250 Dia
13.	746-0968	Cable, Lift, 16.16	38.	735-04137	Pad, Foot, LH
14.	747-04962A	Handle, Lift,	39.	735-04139	Pad, Foot, RH
15.	756-04331	Pulley, Roller, Cable	40.	757-04131	Seat, High Back Cloth, Cub
16.	783-04494C	Arm, Lift, RH (42")		757-04085	Seat, Med back (International)
17.	783-04711C	Arm, Lift, LH (42")	41.	925-05013	Switch, Seat
18.	710-04484	Screw, Self-tapping, 5/16-18, .750,	42.	783-06443	Bracket, Lift, Man PTO, 6 Pos
19.	712-3004A	Nut, Flange Lock, 5/16-18, Gr5, Sd Lk		783-06181	Bracket, Lift, Elec PTO
20.	732-04563	Spring, Comp, .68 x 1.065 x .055	43.	710-04482	Hex Flange Screw, 3/8/16, .875, Gr5
21.	725-0157	Cable, Tie, 3/16 x .05 x 7.4	44.	714-04040	Pin, Cotter, Bow-Tie 72 (46")
22.	732-04849	Spring, Compr, 1.50 x 3.90 x .200	48.	783-05546A	Link, Lift (46")
23.	938-0296	Screw, Shoulder, .437 x .268, 5/16-18	49.	731-06584	Door, Cover, Fender
24.	783-06049	Bracket, Mounting, Seat	50.	747-05039	Pin, Door

Fuel Tank, Hood and Dash

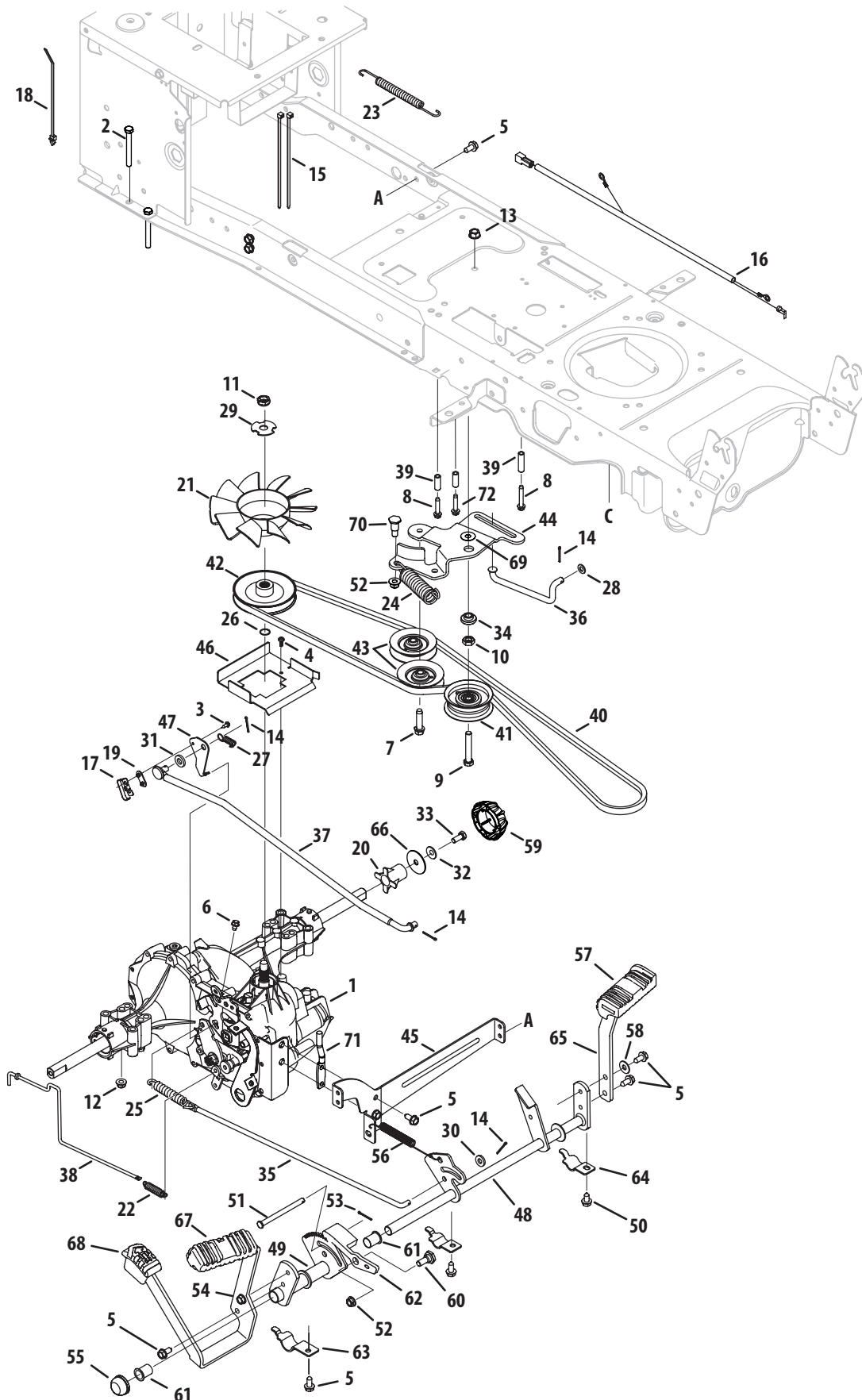


Fuel Tank, Hood and Dash

Ref.	Part Number	Description
1.	710-04484	Screw, Self-tapping, 5/16-18, .750
2.	710-0599	Screw, Self-tapping, 1/4-20, 0.500
3.	710-0895	Screw, HL, 1/4-15, 0.750
4.	710-1017	Screw, Ab, 1/4-14, 0.625,
5.	710-1611B	Screw, Self-tapping, 5/16-18, 0.750,
6.	710-1652	Screw, Self-tapping, 1/4-20 x .625
7.	710-3217	Screw, Mach, #8-32, 0.375
8.	712-0142	Nut, Hex, #8-32
9.	714-04040	Pin, Cotter, Bow-Tie 72
10.	726-3046	Clip, Ratchet, .250 Dia
11.	731-05447A	Lever, Dash, Cruise/Brake
12.	731-06593	Knob, Throttle
13.	931-06666	Dash Panel, A-Style, Man PTO
	731-06554	Dash Panel, A-Style (International)
14.	735-0271A	Bumper, .62 Dia X .3
15.	735-04076	Net
16.	747-05009B	Rod, Control, Latch Cub
17.	747-1196	Rod, Lever, Bent
18.	783-06098	Support, Dash, Plate LH
19.	783-06099	Support, Dash, Plate RH
20.	925-1649	Socket, Lamp
21.	710-05108	Screw, 1/4 Dia, .750
22.	926-0154	Tie, Cable, Push Mount 7.5 Lg
23.	931-04322	Grille Ass'y (Incl. 26, 27, 32 & 33)
24.	931-06542A	Scoop, Hood, RH A-Style
25.	931-06543A	Scoop, Hood, LH A-Style
26.	931-06558	Lens, Hood, RH A-Style
27.	931-06559	Lens, Hood, LH A-Style
28.	931-06634	Hood, A-Style
29.	936-0222	Washer, Lock, 1/4, External
30.	936-3020	Washer, Flat, .271, .630, .065
31.	738-04091A	Screw, Shoulder, .43x.29, 5/16-18
32.	777X44055	Reflector, Cub A Style, LH
33.	777X44056	Reflector, Cub A Style, RH

Ref.	Part Number	Description
34.	783-06114	Bracket, Pivot, Hood A-Style
35.	951-04311	Tank, Fuel, 3.30 Gal.
	751-10879B	Tank, Fuel, 3.75 Gal.
36.	710-0642	Screw, Self-tapping, 1/4-20, .75
	710-1652	Screw, Self-tapping, 1/4-20, .625
37.	747-05040A	Rod, Support, Fuel Tank
38.	951-10589	Cnstr, Carbon, 5 Gallon (CA)
39.	951-10590	Filter, Vent, Canister (CA)
40.	951-10610	Bracket, Adapter, Canister (CA)
41.	751-10749-14	Hose, Fuel, Low Perm, 3/16 Wht (CA)
42.	751-10750-28	Hose, Fuel, Low Perm, 7/32 Yel (CA)
43.	751-12118	Valve, Rollover Grommet
44.	735-04081	Grommet, Rubber, 23.0 ID
45.	951-12179A	Cap, Fuel
	751-0603A	Cap, Fuel
	951-12426	Cap, Fuel Carb
46.	925-2054A	Key, Ignition
47.	735-04170	Gasket, Fuel Tank
48.	925-0963	Lamp, 12v
49.	731-1999	Plug, Choke
	746-04120	Choke Control (Kaw.)
	746-04121	Choke Control, 24.0" (Koh. single)
	746-04120	Choke Control, 40.5" (Koh. twin)
50.	925-04227B	Module Switch, Ignition
	925-04230B	Switch, Ignition (international)
51.	946-04617	Cable, Throttle/Choke, 28"
	946-1100	Cable, Throttle, 38" (Kaw.)
	746-1087	Cable, Throttle, 27" (Koh. single)
	746-04352	Cable, Throttle, 38" (Koh. twin)
52.	925-04022B	Meter, Indicator
53.	731-06936	Plenum
54.	732-04580	Spring, .500 Dia. x 2.733
55.	725-04258	Switch, Electric PTO, Yellow

Drive System (Hydro Gear)

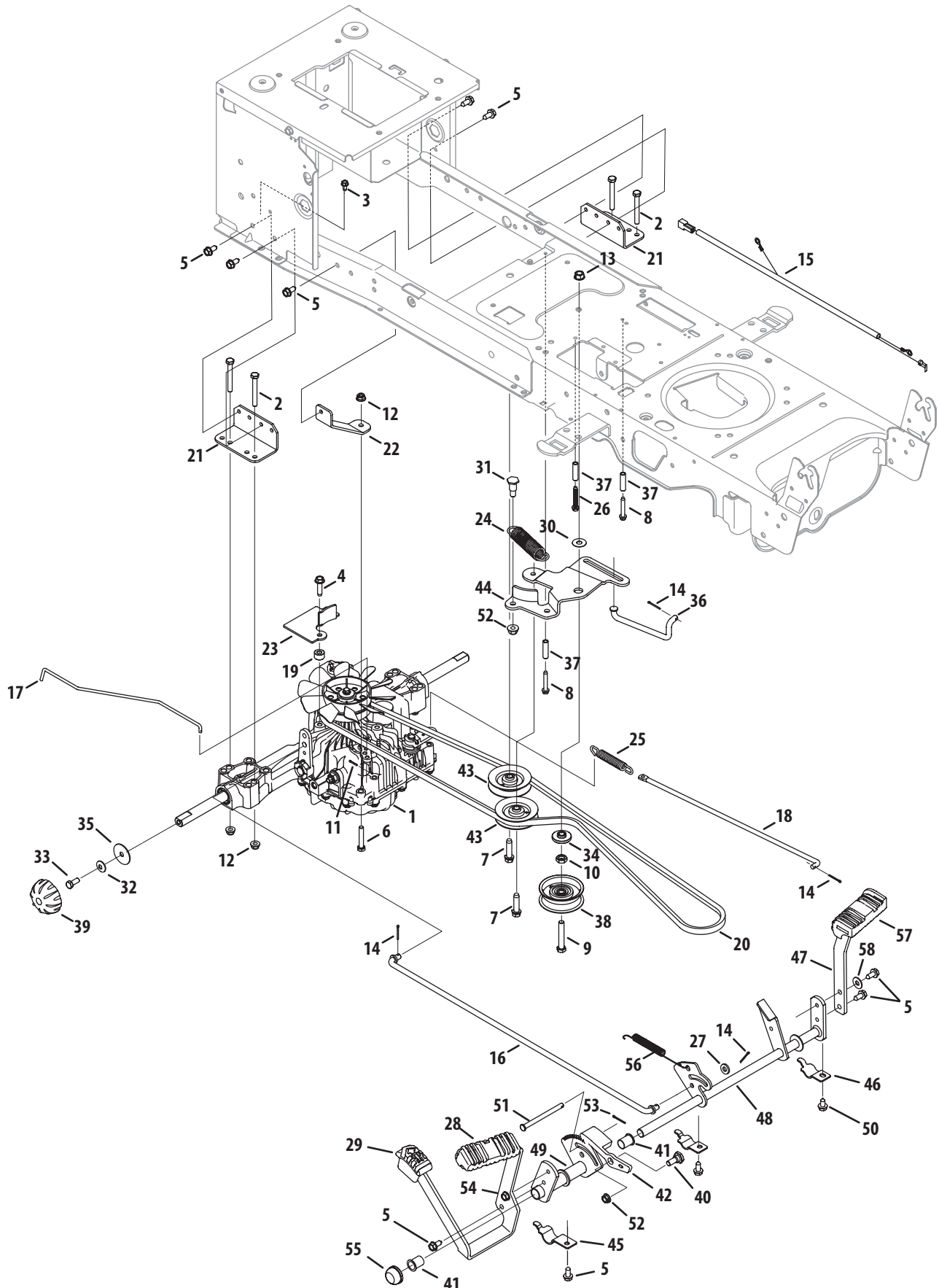


Drive System (Hydro Gear)

Ref.	Part Number	Description
1.	918-0319	Transmission, Hydro-Gear 0510
2.	710-0176	Hex Screw, 5/16-18, 2.75, Gr5, Std
3.	710-0227	Screw, #8-18, 0.500,
4.	710-0351	Screw, #10-16, 0.500
5.	710-04484	Screw, Self-tapping, 5/16-18, .750
6.	710-0653	Screw, Self-tapping, 1/4-20, 0.375
7.	710-1007	Screw, Self-tapping, 3/8-16, 1.500
8.	710-1325	Screw, Self-tapping, 1/4-20, 1.625
9.	710-3011	Hex Screw, 3/8-16, 2.25, Gr5
10.	912-0240	Nut, Jam, 7/16-20, Gr2
11.	912-0346	Nut, Jam Lock, 1/2-20, Gr5, Nylon
12.	712-04063	Nut, Flange Lock, 5/16-18, Nylon
13.	912-0431	Nut, Flange Lock, 3/8-16
14.	914-0111	Pin, Cotter, 3/32, 1.0
15.	725-0157	Cable, Tie, 3/16 x .05 x 7.4
16.	725-04791A	Jumper Harness, Ground & Reverse
17.	725-1644	Switch, Spring, Short
18.	926-0154	Tie, Cable, Push Mount 7.5
19.	926-0320	Plate, Insulator Nut
20.	731-05299A	Sleeve, .765 Id x 1.500
21.	731-06098	Fan, Hydro
22.	932-0209	Spring, Extension, .48 Od x 2.03
23.	732-04606	Spring, Extension, .500 Dia x 12.6
24.	732-04792	Spring, Extension, 1.00 Dia x 4.75
25.	732-0716D	Spring, Extension, .59 Od x 4.00
26.	732-0729	Ring, Wire
27.	732-3118	Spring, Extension, .375 Od x 1.44
28.	936-0264	Washer, Flat, .330 x .630 x .0635
29.	736-04263	Washer, Lock, Transmission Hydro
30.	936-3008	Washer, Flat, .344 x .750 x .120
31.	736-3010	Washer, Flat, .407x.812x.135, Ht
32.	736-0242	Washer, Bell, .340 x .872 x .060
33.	710-0627	Hex Screw, 5/16-24, .750, Gr5, Lock
34.	738-04420	Spacer, Shoulder, 1.375 x .380 x .183
35.	747-04139	Rod, Brake, LT Hydro
36.	747-04957A	Rod, Transmission, Bypass

Ref.	Part Number	Description
37.	747-04979	Rod, Control, Hydro
38.	747-04991	Rod, Hydro Bypass
39.	750-04456	Spacer, .260 x .372 x 1.420
40.	954-04207	Belt, V-Type
41.	756-04224	Pulley, Idler, Flat 2.75 OD
42.	756-04308	Pulley, Input, 4.13 Dia
43.	756-04325	Pulley, Idler, V-Type x 3.06
44.	783-06027A	Bracket, Idler, Center Double
45.	783-06133	Bracket, Mount, Hydro
46.	783-06260	Bracket, Support, Belt Disengage
47.	783-1019B	Bracket, Actuator, Switch
48.	647-04152D	Control Assembly, Brake
49.	683-04537	Bracket Assembly, Pedal, Hydro
50.	710-0604A	Screw, Self-tapping, 5/16-18, 0.625,
51.	711-05068	Pin, Clevis, 5/16 x 3.985
52.	712-04065	Nut, Flange Lock, 3/8-16, Nylon
53.	714-04040	Pin, Cotter, Bow-Tie 72
54.	783-06059	Bracket, Pedal, Hydro
55.	726-0214	Cap, Push 5/8
56.	732-04587	Spring, Extension, .63 Dia x 4.95
57.	735-04136	Pad, Pedal, Brake
58.	736-0242	Washer, Bell, .340 x .872 x .060
59.	731-2290A	Cap, Hub
60.	938-0380	Bolt, Shoulder, .500 x .270, 3/8-16
61.	741-0495	Bearing, Flange, .630 x .695 x .60
62.	748-04203	Latch, Cruise
63.	783-05914	Bracket, Support, Pedal Strap
64.	783-05940	Bracket, Support, Pedal Strap 5/8
65.	783-06103A	Bracket, Pedal, Brake
66.	736-0430	Washer, Flat, .350 x 1.59 x .062
67.	735-04118A	Pad, Pedal, Forward
68.	735-04135	Pad, Pedal, Reverse
69.	936-0344	Wash, Flat, .385 x 1.00 x .030
70.	738-0430	Scr, Shldr, .50 x .685 3/8-16
71.	747-05444	Belt Keeper Rod
72.	710-1026	Screw, Self-tapping, 1/4-20 x 1.75

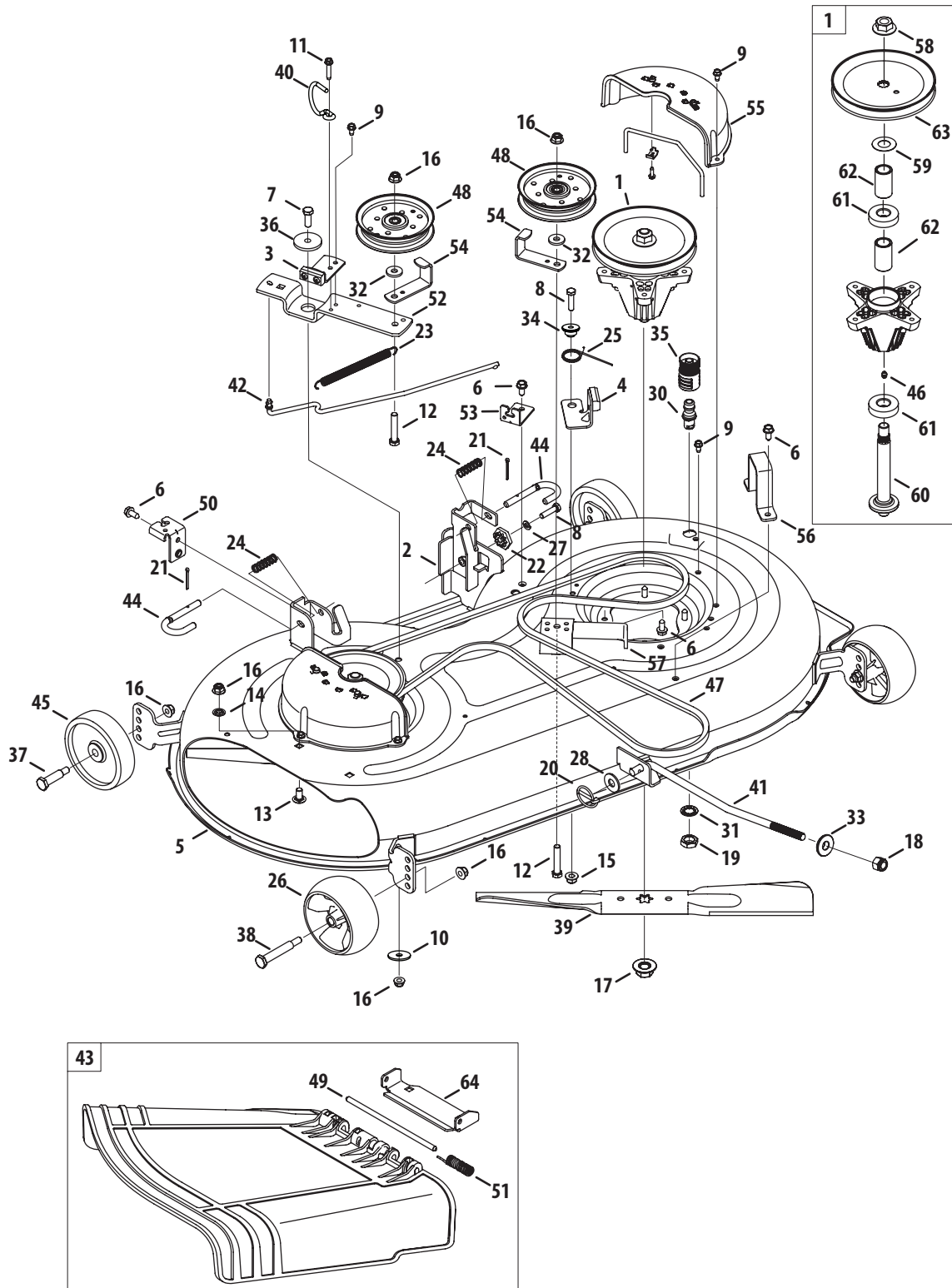
Drive System (Tuff Torq)



Drive System (Tuff Torq)

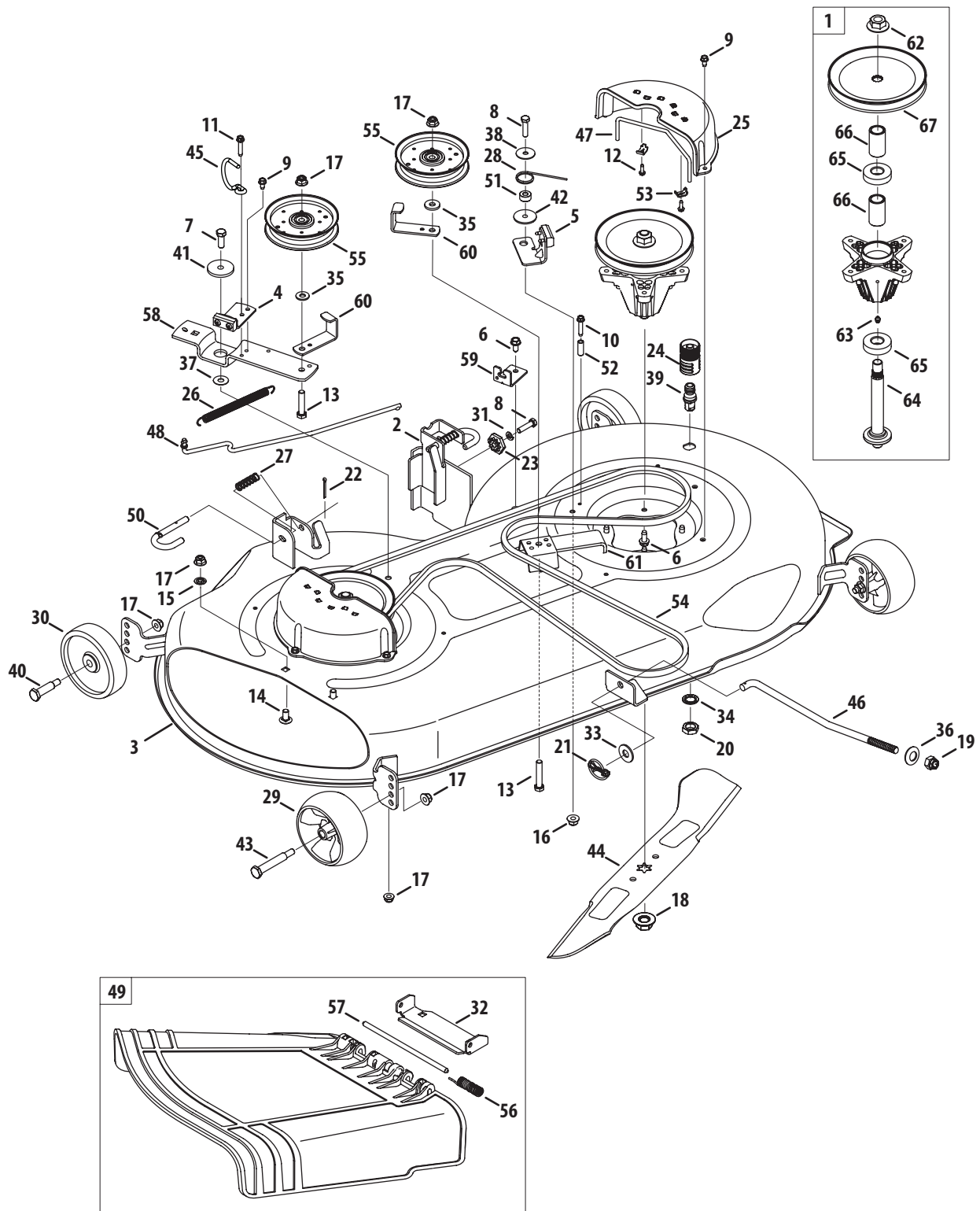
Ref.	Part Number	Description	Ref.	Part Number	Description
1.	918-05010	Transmission, Tuff Torq K46	30.	936-0344	Wash, Flat, .385 x 1.00 x .030
2.	710-0378	Hex Screw, 5/16-18, 2.50, Gr5, Std	31.	738-0430	Scr, Shldr, .50 x .685 3/8-16
3.	710-0599	Screw, Self-tapping, 1/4-20, 0.500	32.	736-0242	Washer, Bell, .340 x .872 x .060
4.	710-0817	Screw, Self-tapping, 5/16-18, 1.250	33.	710-0627	Hex Screw, 5/16-24, .750, Gr5, Lock
5.	710-04484	Screw, Self-tapping, 5/16-18, .750	34.	738-04420	Spacer, Shoulder, 1.375 x .380 x .183
6.	710-3180	Hex Screw, 5/16-18, 1.75, Gr5	35.	736-0430	Washer, Flat, .350 x 1.59 x .062
7.	710-1007	Screw, Self-tapping, 3/8-16, 1.500	36.	747-04957A	Rod, Transmission, Bypass
8.	710-1325	Screw, Self-tapping, 1/4-20, 1.625	37.	750-04456	Spacer, .260 x .372 x 1.420
9.	710-3011	Hex Screw, 3/8-16, 2.25, Gr5	38.	756-04224	Pulley, Idler, Flat 2.75 OD
10.	912-0240	Nut, Jam, 7/16-20, Gr2	39.	731-2290A	Cap, Hub
11.	914-0111	Pin, Cotter, 3/32, 1.0	40.	938-0380	Bolt, Shoulder, .500 x .270, 3/8-16
12.	712-04063	Nut, Flange Lock, 5/16-18, Nylon	41.	741-0495	Bearing, Flange, .630 x .695 x .60
13.	912-0431	Nut, Flange Lock, 3/8-16	42.	748-04203	Latch, Cruise
14.	914-0111	Pin, Cotter, 3/32, 1.0	43.	756-04325	Pulley, Idler, V-Type x 3.06
15.	725-05335	Jumper Harness, Ground & Reverse	44.	783-06027A	Bracket, Idler, Center Double
16.	747-05447	Rod, Control, Tuff-Torq	45.	783-05914	Bracket, Support, Pedal Strap
17.	747-05448	Rod, Hydro Bypass	46.	783-05940	Bracket, Support, Pedal Strap 5/8
18.	747-05452	Rod, Brake, NX9 Tuff-Torq	47.	783-06103A	Bracket, Pedal, Brake
19.	750-05512	Spacer, .330 x .715 x .430	48.	647-04152D	Control Assembly, Brake
20.	754-04297	Belt, V-Type	49.	683-04537	Bracket Assembly, Pedal, Hydro
21.	783-06849	Bracket, Mount, Tuff-Torq	50.	710-0604A	Screw, Self-tapping, 5/16-18, 0.625,
22.	783-06861	Bracket, Support	51.	711-05068	Pin, Clevis, 5/16 x 3.985
23.	783-07260	Bracket, Belt Keeper	52.	712-04065	Nut, Flange Lock, 3/8-16, Nylon
24.	732-04792	Spring, Extension, 1.00 Dia x 4.75	53.	714-04040	Pin, Cotter, Bow-Tie 72
25.	732-0716D	Spring, Extension, .59 Od x 4.00	54.	783-06059	Bracket, Pedal, Hydro
26.	710-1026	Screw, Self-tapping, 1/4-20 x 1.75	55.	726-0214	Cap, Push 5/8
27.	936-0185	Washer, Flat, .375 x .738 x .063	56.	732-04587	Spring, Extension, .63 Dia x 4.95
28.	735-04118A	Pad, Pedal, Forward	57.	735-04136	Pad, Pedal, Brake
29.	735-04135	Pad, Pedal, Reverse	58.	736-0242	Washer, Bell, .340 x .872 x .060

42-inch Deck



Ref.	Part Number	Description	Ref.	Part Number	Description
1.	918-04822A	Spindle Ass'y, Pulley, 6.3 Dia	34.	748-04272	Shoulder Spacer, .50 x .145
2.	683-0254B	Bracket Ass'y, Deck, Hanger LH	35.	921-04041	Adapter, Water Port
3.	983-04511	Brake Ass'y, Deck, 42/46	36.	738-04162A	Spacer, Shoulder, .8840 x .190
4.	983-04525	Brake Ass'y, Deck, 46"	37.	938-0373	Bolt, Shoulder, .496 x 1.525, 3/8-16
5.	983-04598	Deck Ass'y, Offset, 42"	38.	938-3056	Bolt, Shoulder, .496 x 2.50, 3/8-16
6.	710-04484	Screw, Self-tapping, 5/16-18, .750,	39.	942-04312	Blade, Cut, 21.23" 2-In-1, Cub
7.	710-3005	Hex Screw, 3/8-16, 1.25, Gr5, Std	40.	747-05323	Rod, Keepr, Belt 42 Idler
8.	710-0528	Hex Screw, 5/16-18, 1.25, Gr5, Std	41.	747-04944B	Rod, Lift, Deck, Frt, 13.7
9.	710-0599	Screw, Self-tapping, 1/4-20, 0.500,	42.	747-05105B	Rod, Control, Brake 42"
10.	936-3039	Washer, Flat, .406 x 1.50 x .105	43.	931-04293	Chute Ass'y, Deflector 42" Offset
11.	710-0642	Screw, Self-tapping, 1/4-20, .750,		631-04349	Chute Ass'y, Deflector (International)
12.	710-3144	Hex Screw, 3/8-16, 2.00, Gr5, Std	44.	747-1116	Rod, Handle, Deck Rel .375 Dia
13.	710-3178	Bolt, Carriage, 3/8-16, 0.75, Gr1	45.	734-0973	Wheel, Deck
14.	712-0229	Nut, Push, 3/8	46.	937-3000	Lube Fitting, 3/16
15.	712-04063	Nut, Flange Lock, 5/16-18, Grf,	47.	954-04060B	Belt, V Type, A Sec x 96.5
16.	712-04065	Nut, Flange Lock, 3/8-16, Grf,	48.	756-04129B	Pulley, Idler, 4.25" Dia
17.	712-0417A	Nut, Flange, 5/8-18	49.	711-04847B	Pin, Hinge, Dia .3125 x 7.96
18.	712-04243	Nut, Lock, 1/2-13	50.	783-04740	Bracket, Cable, Deck Engage
19.	912-0641	Nut, Hex, M16-1.5	51.	732-04372	Spring, Torsion, .44 I.D. x 2.0
20.	753-04070	Pin, Lynch, .1875	52.	783-05946	Bracket, Idler, Pivot, 46
21.	914-0470	Pin, Cotter, 1/8 x 1.25	53.	783-06243	Bracket, Cable, Deck Engage
22.	917-04074	Gear, Deck, Adjustment	54.	783-06368A	Bracket, Guard, Belt, 4.25 Pulley
23.	932-0384	Spring, Extension, .62 Dia x 6.12	55.	731-06496	Cover, Belt, Universal
24.	732-04652	Spring, Comp, .535 OD x 1.751	56.	783-06632	Stop, LH, 42 Deck
25.	732-04840	Spring, Torsion, .992 I.D x 1.17 O.D	57.	783-06643	Bracket, Support, Stationary Idler
26.	734-04155	Wheel, Deck, 5.0 Dia Ball	58.	712-0417A	Nut, Flange, 5/8-18
27.	936-0119	Washer, Lock, 5/16, Regular Duty	59.	936-0351	Washer, Flat, .760 Idx 1.50 OD
28.	936-0176	Washer, Flat, .265 x .938 x .120	60.	738-1186A	Shift, Spindle, 6.11.
29.	936-0179	Washer, Flat, .531 x 1.25 x .100	61.	941-0919	Bearing, Ball, .787id x 1.85 Odx.551
30.	737-04003D	Port, Water	62.	750-04936	Spacer, .792 x 1.060 x 1.860
31.	736-0225	Washer, Lock, 5/8, Int Tooth	63.	956-1227	Pulley, Deck, 6.3 Dia
32.	736-0262	Washer, Flat, .385 x .870 x .092	64.	783-05823	Bkrt, Chute, 42/46
33.	736-0317	Washer, Bell, .63 x 1.25 x .18			

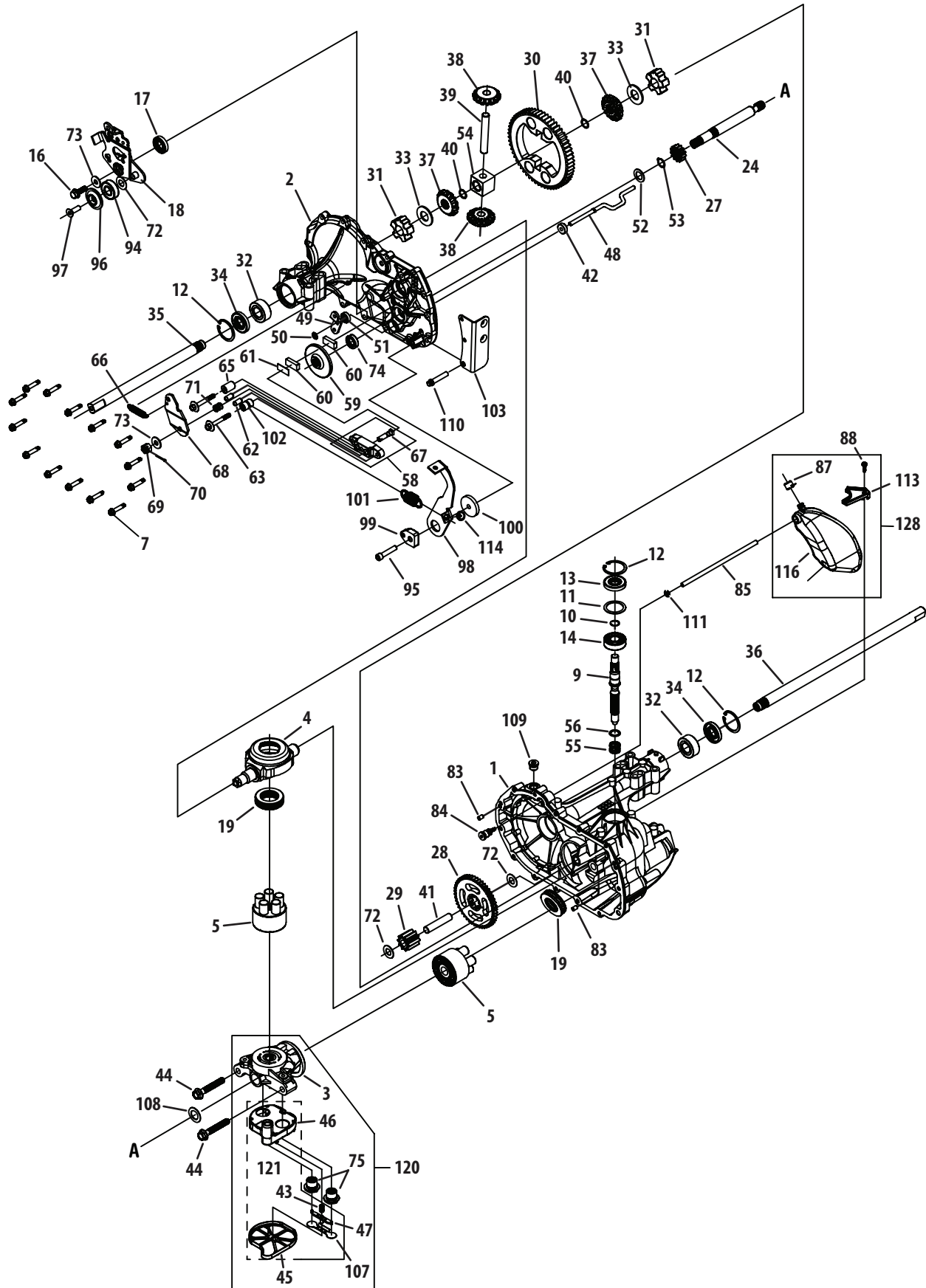
46-inch Deck



Ref.	Part Number	Description
1.	918-04865A	Spindle Assembly, Pul 6.93 Dia
2.	683-0254B	Bracket Assembly, Deck Hanger, LH
3.	983-04468A	Deck Assembly, Offset, 46"
4.	983-04511	Brake Assembly, Deck, 42/46
5.	983-04525	Brake Assembly, Deck, 46"
6.	710-04484	Screw, Self-tapping, 5/16-18, .750,
7.	710-0514	Hex Screw, 3/8-16, 1.00, Gr5, Std
8.	710-0528	Hex Screw, 5/16-18, 1.25, Gr5, Std
9.	710-0599	Screw, Self-tapping, 1/4-20, 0.500
10.	710-0778	Screw, Self-tapping, 1/4-20, 1.500
11.	710-0642	Screw, Self-tapping, 1/4-20, .750
12.	710-1003	Screw, B, #10-16, 0.625
13.	710-3144	Hex Screw, 3/8-16, 2.00, Gr5, Std
14.	710-3178	Bolt, Carriage, 3/8-16, 0.75, Gr1
15.	712-0229	Nut, Push, 3/8
16.	712-04063	Nut, Flange Lock, 5/16-18, Nylon
17.	712-04065	Nut, Flange Lock, 3/8-16, Nylon
18.	712-0417A	Nut, Flange, 5/8-18
19.	712-04243	Nut, Lock, 1/2-13
20.	912-0641	Nut, Hex, M16-1.5
21.	753-04070	Pin, Lynch, .1875
22.	914-0470	Pin, Cotter, 1/8 x 1.25
23.	917-04074	Gear, Deck Adjustment
24.	921-04041	Adapter, Water Port
25.	731-06496	Belt Cover, Universal
26.	932-0384	Spring, Extension, .62 x 6.12
27.	732-04652	Spring, Compression, .535 x 1.751
28.	732-04773	Spring, Torsion, .992 ID x 1.17 OD
29.	734-04155	Wheel, Deck, 5.0 Dia Ball
30.	734-0973	Wheel, Deck 5.0 x 1.38
31.	936-0119	Washer, Lock, 5/16, Regular Duty
32.	783-06074A	Bracket, Chute, 46
33.	936-0179	Washer, Flat, .531 x 1.25 x .100
34.	736-0225	Washer, Lock, 5/8, Int Tooth

Ref.	Part Number	Description
35.	736-0262	Washer, Flat, .385 x .870 x .092
36.	736-0317	Washer, Bell, .63 x 1.25 x .18
37.	936-0344	Washer, Flat, .385 x 1.0 x .030
38.	736-0362	Washer, Flat, .330 x 1.25 x .06, Ht
39.	737-04003D	Deck Port, Water
40.	938-0373	Bolt, Shoulder, .496 x 1.525, 3/8-16
41.	738-04162A	Spacer, Shoulder, .8840 x .190
42.	748-0234	Spacer, Shoulder
43.	938-3056	Bolt, Shoulder, .496 x 2.50, 3/8-16
44.	942-04244A	Blade, Cut, 23.25" 2-In-1, Cub
45.	747-05323	Rod, Belt Keepr, 42 Idler
46.	747-04944B	Rod, Lift, Deck, Frt, 13.7
47.	747-05011	Rod, Keeper, Belt
48.	747-05052	Rod, Control, Brake 46"
49.	631-04288	Chute Assembly, 46" Offset Cub
50.	747-1116	Rod, Deck Release
51.	750-0258	Spacer, .315 x .750 x .375
52.	750-0566A	Spacer, .260 x .375 x 1.030
53.	751B221535	Clamp, Casing
54.	954-04219	Belt, V-Type, A-Sec
55.	756-04129B	Pulley, Idler, 4.25" Dia
56.	732-04372	Spring, Torsion, .44 I.D. x 2.0
57.	711-04847B	Pin, Hinge, 7.96
58.	783-05946	Bracket, Idler, Pivot, 46
59.	783-06243	Bracket, Cable, Deck Engagement
60.	783-06368A	Bracket, Guard, Belt, 4.25 Pulley
61.	783-06643	Bracket, Support, Deck Idler
62.	712-0417A	Nut, Flange, 5/8-18
63.	937-3000	Lube Fitting, 3/16
64.	738-1186A	Shaft, Spindle, 6.11 Lg.
65.	941-0919	Bearing, Ball, .787 x 1.85 x .551
66.	750-04936	Spacer, .792 x 1.060 x 1.860 Lg
67.	756-04356	Pulley, Deck, 6.93 Dia

Hydrostatic Transmission (Hydro-Gear 311-0510)



Hydrostatic Transmission (Hydro-Gear 311-0510)

Ref.	Part Number	Description	Ref.	Part Number	Description
1	HG-70467	Main Housing Assembly	40	HG-44871	Ring, Spiral Retaining
		Main Housing, Machined	41	HG-51083	Pin, Jackshaft
		Bushing ,865 x 985 x .790	42	HG-51100	Magnet, Ring
2	HG-70483	Main Housing Assembly	43	HG-51136	Spring, Bypass
		Main Housing, Machined	44	HG-50016	Hydro Mtg Screw 3/8-24 x 2.5
		Bushing ,865 x 985 x .790	45	HG-51581	Bottom, Filter
		Bushing 624 x 719 x . 562	46	HG-51580	Base Filter W/ Poppet
3	HG-70477	Center Section Assembly	47	HG-51091	Actuator Bypass
		Center Section Machined	48	HG-51098	Rod Bypass Actuator
		Bushing. 707 x . 788 x . 591	49	HG-51135	Arm, Bypass
4	HG-51048	Swashplate, Trunnion Machined	50	HG-51116	Retaining Ring 0.250 External
5	HG-70331	Block - Assembly	51	HG-51081	Seal, Lip . 741 x .250 x .250 Tc
		Block - Cylinder	52	HG-44371	Flat Washer 5/8 Id x 1.0 Od x . 05
		Piston	53	HG-44145	Retaining Ring
		Spring, Compression	54	HG-51071	Bearing, Center Block
		Washer - Thrust	55	HG-2003014	Spring - Helical Compression
7	HG-53246	Hex Flange Screw 1/4-20 x-1,25	56	HG-2003017	Washer
9	HG-51062	Shaft, Input	58	HG-62589	Kit, Brake Yoke
10	HG-2000022	Ring - Retaining			Brake Yoke
11	HG-50951	Spacer			Sq. Hd, Bolt 5/16-24 Ribbed
12	HG-50329	Ring - Retaining	59	HG-51072	Rotor, Brake
13	HG-51161	SeaL Lip .67 x 1.58 x .276	60	917-0678	Brake Puck
14	HG-50315	Ball Bearing 17mm Id x 40mm Od	61	917-0682	Puck Plate
16	HG-51064	Bolt. Flange 5/16-24 x .94 (Patch)	62	941-0343	Brake Actuating Pin
17	HG-51140	Lip Seal 18 x 32 x 7	63	HG-51146	Hex Screw 1/4-20 x 2 w/ Patch
18	HG-51119	Arm Control	65	HG-23711	Spacer
19	HG-50551P	Bearing 30x52 x 13 Thrust	66	HG-70896	Kit, Spring
24	HG-50966	Shaft Motor	67	N/A	So. Hd, Bolt 5/16-24- Ribbed
27	HG-51130	Gear - Pinnion 13t	68	HG-44094	Arm, Brake
28	HG-51129	10t/48t Gear	69	912-0273	Slotted Hex Nut 5/16-24
29	HG-51043	Gear Jot Jackshaft	70	914-0507	Cotter Pin 3/32 x 3/4
30	HG-51044	60t Bull Gear	71	HG-50919	Comp. Spring Brake Anti-Drag
31	HG-51088	Sleeve Bearing . 75 x 1.750 x .625	72	HG-50132	Washer, Ht .5 I. D. x 1 OD, x .032
32	HG-51089	Sleeve Bearing .75 x 1.575 x ,625	73	736-0371	Flat Washer, 11/32 ID x 7/8 OD
33	HG-44875	Washer 3/4 Id x 1-1/2 Od x .13 Thk	74	HG-70719	Kit, Seal
34	HG-51066	Lip Seal Axle Seal			Oil, Seal 625 x Lo x .25
35	HG-51079	Shaft Axle . 75 x 11. 39 (Dd R. H,)			Ring, Ret-Star Washer
36	HG-51078	Shaft Axle .75 x 17. 99 (Dd, L, H.)			Bulletin, Shaft Seal
37	HG-71310	Miter Gear (Splined)	75	HG-51084	Check Plug Assem, .027 Washer
38	HG-44097	Miter Gear 15t (0 .5 Id)	83	HG-9004800-2506	Pin, Standard Headless
39	HG-50146	Shaft	84	HG-51143	Fitting, 5/16 Sae 5/32 Tube

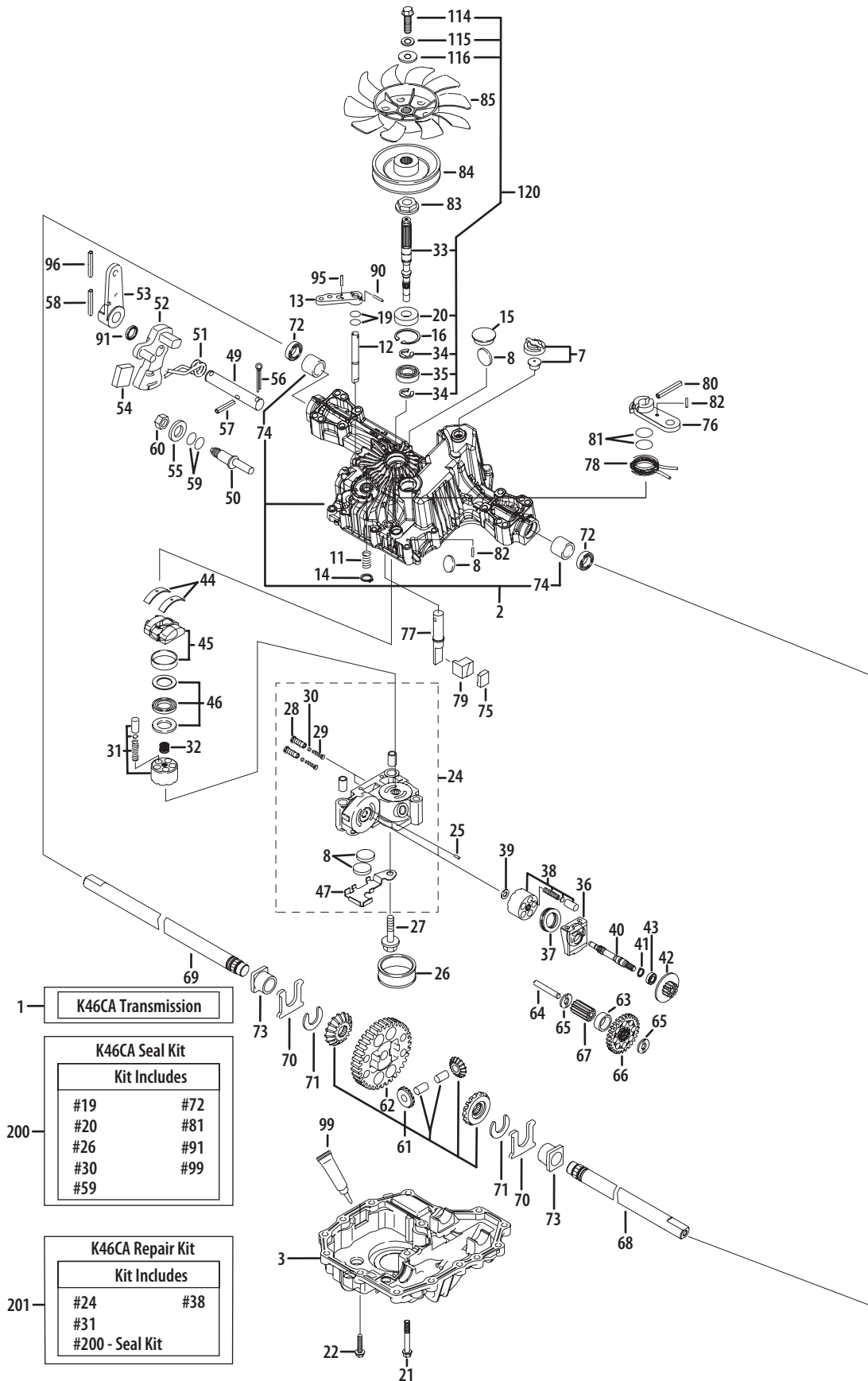
Continued on next page

Hydrostatic Transmission (Hydro-Gear 311-0510)

Ref.	Part Number	Description	Ref.	Part Number	Description
85	HG-51147	Hose, Expansion Tank	121	HG-70756	Filter Assembly
87	HG-51251	Cap., Vent			Bottom Filter
88	HG-50653	Bolt, Self Tapping 10-32 x 112			Base Filter w/ Poppet
94	HG-44147	Ball Bearing .62 Id x 1,38 x 44			Spring Bypass
95	HG-50837	Cap Screw, 5/16-24 x 1-112			Actuator Bypass
96	HG-51200	Spacer, Locating			Deflector
97	HG-50870	Screw, Sfhcs	128	HG-70503	Kit, Expansion Tank
98	HG-51120	Arm, Return			Tank, Expansion
99	HG-51097	Puck, Adjusting			Cap, Vent
100	HG-51122	Washer, .325 OD x 1.6 ID x .150			Bolt, Self Tapping 10-32 x 1/2
101	HG-51131	Spring, Extension			Bracket, Support Expansion Tank
102	HG-51123	Spacer, .56 x .26 x .87			Silicon-Sponge 112 x 1/2 x 3/16
103	HG-51223	Bracket, Torque	—	HG-50928	Sealant
107	HG-51134	Deflector	—	HG-70463	Seal, O-Ring Kit
108	HG-51069	Washer, Motor Shaft .71 Id 1.15 Od	—	—	20w-50 Oil (78.8 oz)
109	HG-9005110-5600	Plug, SAE #6			
110	HG-50868	Torx Head Screw, 5/16-18			
111	HG-51144	O-Ring, .07 x .301 ID			
113	HG-51179	Bracket, Support Expansion Tank			
114	HG-51184	Spring Guide			
116	HG-70503	Silicon Sponge			
120	HG-70759	Center Section - Bypass Assm			
		Center Section Machined			
		Base Filter w/ Poppet			
		Check Plug Assembly			
		Spring Bypass			
		Actuator Bypass			
		Deflector			
		Bottom, Filter			
		Bushing, .707 x .788 x .591			

Page Left Blank Intentionally

Hydrostatic Transmission (Tuff-Torq 918-05010)



Hydrostatic Transmission (Tuff-Torq 918-05010)

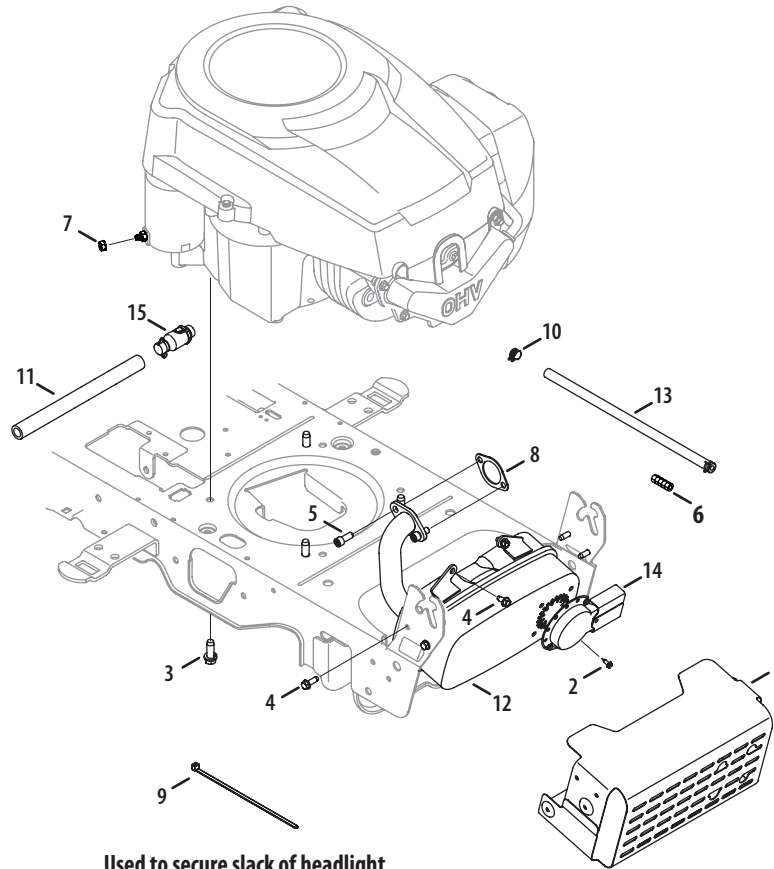
Ref.	Part Number	Description
1	918-05010	K46CA Transaxle
2	TT-1A646084431	Kit, Upper Case
3	TT-1A646084181	Lower Case
7	TT-168T2024250	Vent Valve 15
8	TT-19216324360	Magnet
11	TT-19215427281	Spring 25
12	TT-1A646029510	Bypass Shaft A
13	TT-1A632029520	Bypass Lever
14	TT-19216829570	Snap Ring 10
15	TT-168T2036300	Sealing Cap 30
16	TT-22252000350	Snap Ring C 35
19	TT-24311240100	O-Ring 1A P10A
20	TT-24421153507	Seal TC 153507
21	TT-26476080552	Tapping Screw 8 x 55
22	TT-26476080302	Tapping Screw 8 x 30
24	TT-1A646099070	Kit, Center Case C
25	TT-19216824760	Pin 3 x 9.8
26	TT-168T2025220	Filter 105
27	TT-168T2099990	Bolt 10 x 75
28	TT-1A646024800	IDS Valve 1.2
29	TT-1A646024761	IDS Spring
30	TT-1A646024790	IDS Filter 300
31	TT-168T2025090	Kit, Cylinder Block (Pump)
32	TT-1A646025200	Spring
33	TT-1A646025230	Pump Shaft
34	TT-19215485310	E-Ring 15
35	TT-24101062020	Bearing 6202C3
36	TT-19216824210	Motor Housing
37	TT-1A646034750	Thrust Bearing 51106
38	TT-168T2025080	Kit, Cylinder Block
39	TT-19216825230	Washer 12 x 24 x 1
40	TT-1A646025271	Motor Shaft
41	TT-19215425310	Snap Ring C15
42	TT-1A646025400	Brake Disc/Motor Gear (11T)
43	TT-168T2025280	Bearing 6202 RSR C3
44	TT-187T0027060	Thrust, Plastic
45	TT-168T2084530	Swash Plate Assembly
46	TT-19216399000	Kit, Thrust Bearing (Pump)
47	TT-1A646029010	Magnet Holder

Ref.	Part Number	Description
49	TT-1A646029911	Control Shaft
50	TT-168T2029920	Fulcrum
51	TT-168T2029800	Torsion Spring, Standard
52	TT-1A646029740	Control Arm A
53	TT-1A646029400	Control Lever F
54	TT-168T2029360	Jerky Plate
55	TT-22137120000	Washer 12
56	TT-1A646029940	Cotter Pin 1/8" x 3/4"
57	TT-22351060036	Spring Pin 6 x 36
58	TT-22351060040	Roll Pin 6 x 40
59	TT-24311000140	O-Ring P14
60	TT-26776120002	Nut 12
61	TT-1A646031570	Diff Gear Kit
62	TT-1A646033520	Final Gear (54T)
63	TT-1A646033250	Final Pinion Collar
64	TT-1A646033410	Reduction Shaft
65	TT-19216833420	Washer 12 x 32 x 3.2
66	TT-1A646033450	Reduction Gear (37T)
67	TT-168T2033540	Final Pinion Gear (10T)
68	TT-1A646034370	Axle Shaft, Left
69	TT-1A646034380	Axle Shaft, Right
70	TT-19216334261	Thrust Washer
71	TT-19216834270	Ring 17
72	TT-19216334280	Seal 19 x 32 x 8
73	TT-19216834350	Bushing 19 x 25
74	TT-19216334240	Bushing 19.05
75	TT-1A646036121	Brake Shoe
76	TT-1A646036160	Brake Lever
77	TT-1A646036171	Brake Shaft
78	TT-168T2036180	Brake Return Spring
79	TT-1A646036200	Brake Actuator
80	TT-22351050032	Spring Pin 5 x 32
81	TT-24311000120	O-Ring 1A P12
82	TT-22351040016	Spring Pin 4 x 16
83	TT-1A646025300	Spline Collar
84	TT-1A646025760	Pulley B
85	TT-1A646083070	Fan, Black
90	TT-22351030020	Spring Pin 3.0A x 20
91	TT-1A646024440	Oil Seal 16 x 22 x 03

Continued on next page

Hydrostatic Transmission (Tuff-Torq 918-05010)

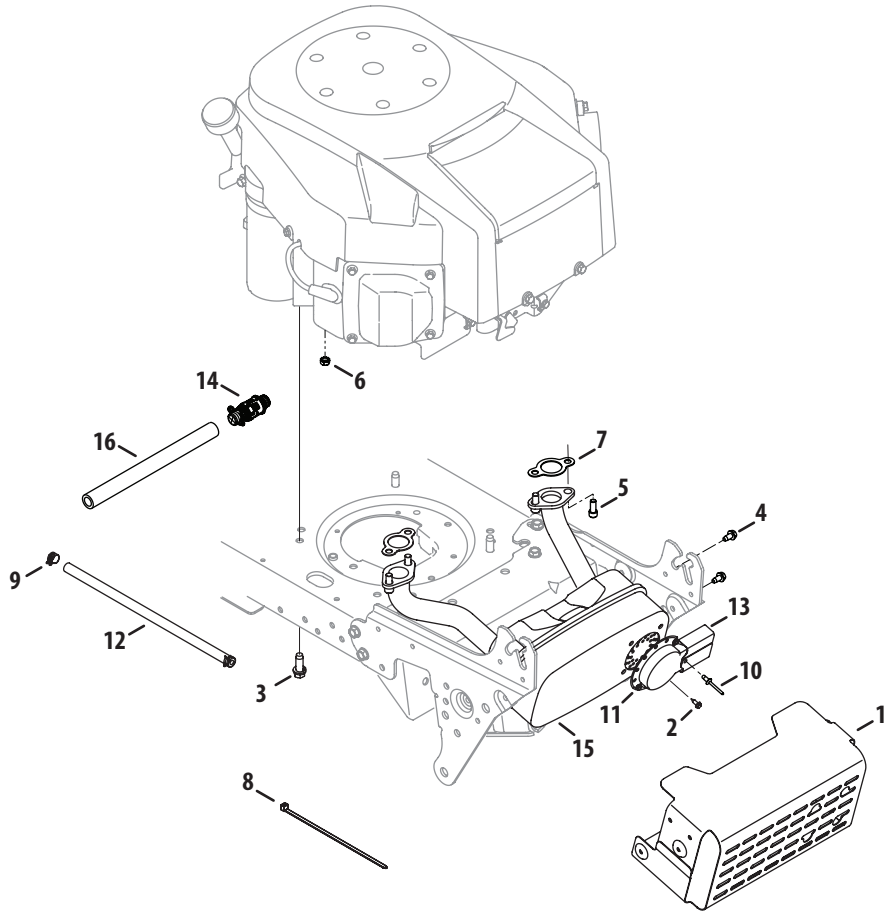
Ref.	Part Number	Description
95	TT-22351030016	Spring Pin 3.0A x 16
96	TT-22351035040	Roll Pin 3.5 x 40
99	N/A	Sealant
114	TT-1A646083090	Bolt
115	TT-1A646083100	Lock Washer
116	TT-1A646083110	Washer
120	TT-1A646099980	Pump Shaft/Bearing Kit
200	TT-1A646099140	Kit, Seal Incl. 19, 20, 26, 30, 59, 72, 81, 91 & 99
201	TT-1A646099600	Repair Kit, Incl. 24, 31, 38 & 200



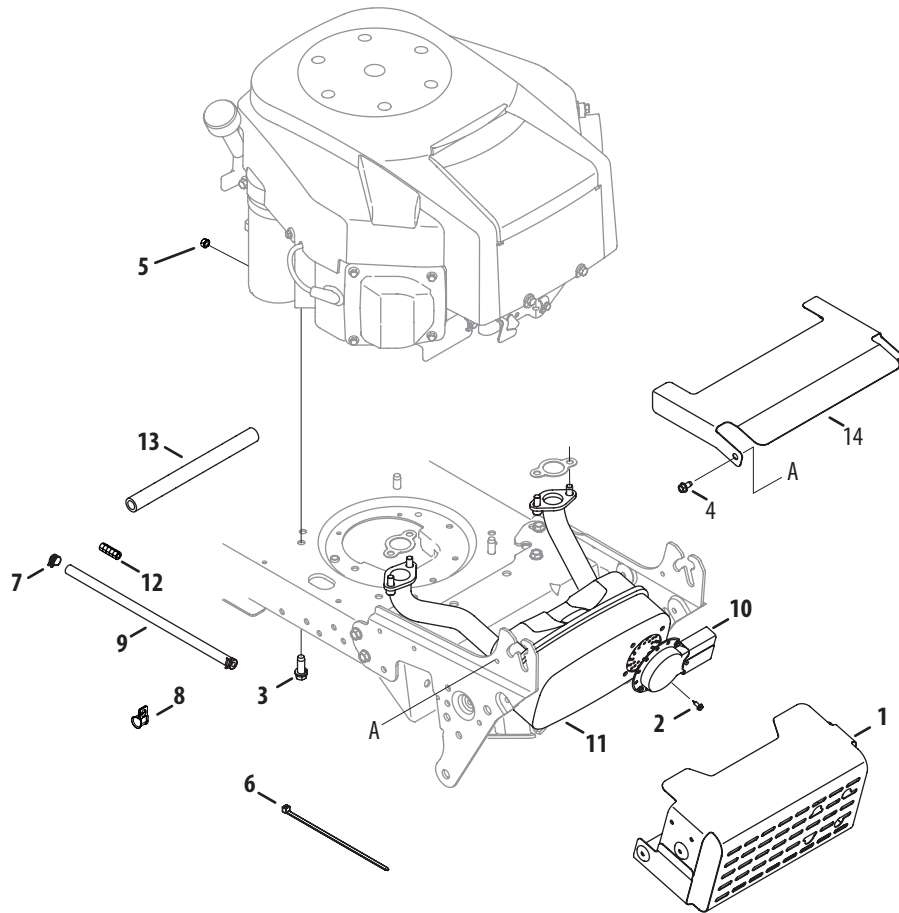
Used to secure slack of headlight harness to hood hinge

Ref.	Part Number	Description
1.	683-04549	Shield Ass'y, Muffler
2.	710-0227	Screw, Ab, #8-18, 0.500,
3.	710-04683	Screw, Self-tapping, 3/8-16, 1.000,
4.	710-0599	Screw, Self-tapping, 1/4-20, 0.500,
5.	710-1314A	Screw, Socket Head, 5/16-18, .750
6.	751-12089-28	Hose, Vent
7.	712-0271	Nut, Sems, 1/4-20
8.	KH-20-041-12-S	Gasket, Exhaust
9.	725-0157	Cable, Tie, 3/16 x .05 x 7.4
10.	726-0205	Clamp, Hose, .490 Dia.
11.	751-3141-14	Hose, Extension, Oil Drain
12.	751-11943	Muffler, Single, Kohler
13.	751-10349	Hose, Fuel, Low Permeation, 1/4
14.	751-11053	Deflector, Muffler, Long
15.	951-10517A	Drain, Oil

Engine Accessories (Kohler Twin)



Ref.	Part Number	Description
1.	683-04549	Shield Ass'y, Muffler
2.	710-0227	Screw, Ab, #8-18, 0.500,
3.	710-04683	Screw, Self-tapping, 3/8-16, 1.000,
4.	710-0599	Screw, Self-tapping, 1/4-20, 0.500,
5.	710-1314A	Screw, Socket Head, 5/16-18, .750
6.	712-0271	Nut, Sems, 1/4-20
7.	KH-20-041-12-S	Gasket, Exhaust
8.	725-0157	Cable, Tie, 3/16 x .05 x 7.4
9.	726-0205	Clamp, Hose, .490 Dia.
10.	728-04000	Pop Rivet, .188 Dia. x .300 Lg.
11.	751-0564B	Muffler Deflector
12.	751-10349	Hose, Fuel, Low Permeation, 1/4
13.	751-10353	Deflector, Muffler, Long
14.	951-10517A	Drain, Oil
15.	751-10528A	Muffler, Twin, Kohler
16.	751-3141-14	Hose, Extension, Oil Drain



Ref.	Part Number	Description
1.	683-04549	Shield Ass'y, Muffler
2.	710-0227	Screw, Ab, #8-18, 0.500,
3.	710-04683	Screw, Self-tapping, 3/8-16, 1.000,
4.	710-0599	Screw, Self-tapping, 1/4-20, 0.500,
5.	712-0271	Nut, Sems, 1/4-20
6.	725-0157	Cable, Tie, 3/16 x .05 x 7.4
7.	726-0205	Clamp, Hose, .490 Dia.
8.	726-0272	Clamp, 9/16 Dia.
9.	751-10349	Hose, Fuel, Low Permeation, 1/4
10.	751-11053	Deflector, Muffler, Long
11.	751-11278	Muffler, Twin, Kawasaki
12.	751-12089-28	Hose, Vent
13.	751-3141-14	Hose, Extension, Oil Drain
14.	783-06378A	Heat Shield

LTX 1042 Labels

777D15338



777S33185

⚠ DANGER
ROTATING BLADES CAUSE SERIOUS INJURY OR DEATH

- DO NOT MOW WHEN CHILDREN OR OTHERS ARE AROUND
- NEVER CARRY CHILDREN EVEN WITH BLADE(S) OFF.
- LOOK DOWN AND BEHIND BEFORE AND WHILE BACKING.
- MOWING IN REVERSE IS NOT RECOMMENDED.

⚠ WARNING
TO AVOID SERIOUS INJURY OR DEATH

- GO UP AND DOWN SLOPES, NOT ACROSS.
- AVOID SUDDEN TURNS.
- DO NOT OPERATE THE UNIT WHERE IT COULD SLIP OR TIP.
- IF MACHINE STOPS GOING UPHILL, STOP BLADE(S) AND BACK DOWNHILL SLOWLY.
- KEEP SAFETY DEVICES (GUARDS, SHIELDS, AND SWITCHES, ETC.) IN PLACE AND WORKING.
- REMOVE OBJECTS THAT COULD BE THROWN BY THE BLADE(S).
- KNOW LOCATION AND FUNCTION OF ALL CONTROLS.
- BE SURE BLADE(S) AND ENGINE ARE STOPPED BEFORE PLACING HANDS OR FEET NEAR BLADE(S).
- BEFORE LEAVING OPERATOR'S POSITION, DISENGAGE BLADE(S), ENGAGE PARKING BRAKE, SHUT OFF AND REMOVE KEY.

READ OPERATOR'S MANUAL

⚠ WARNING
 Operation of This Equipment May Create Sparks That Can Start Fires Around Dry Vegetation. A Spark Arrestor May Be Required. The Operator Should Contact Local Fire Agencies For Laws Or Regulations To Fire Prevention Requirements.

TO START

- DISENGAGE BLADES/PTO, (POWER TAKE OFF)
- ENGAGE THE TRACTOR'S PARKING BRAKE.
- ACTIVATE THE CHOKE CONTROL.
- TURN KEY TO START ENGINE. AFTER START RELEASE KEY & DEACTIVATE CHOKE BY PLACING THROTTLE TO FAST "RABBIT" POSITION.

OPERATING MODES

NORMAL MOWING
 YOU MUST DISENGAGE BLADES/PTO, (POWER TAKE OFF) BEFORE TRAVELING IN REVERSE.

REVERSE CAUTION MODE

- TURN KEY TO REVERSE CAUTION MODE POSITION.
- DEPRESS REVERSE PUSH BUTTON, (RED INDICATOR LIGHT "ON") WHEN RED LIGHT IS "ON" MACHINE CAN BE OPERATED IN REVERSE WITH MOWER BLADES ENGAGED.
- AFTER RESUMING FORWARD OPERATION, RETURN KEY TO "NORMAL MOWING" POSITION.

NOTE: IN BOTH MODES, WHEN OPERATOR LEAVES SEAT, ENGINE WILL STOP UNLESS PARKING BRAKE IS SET AND BLADES ARE DISENGAGED.

LOWER DASH

PARKING BRAKE

DEPRESS BRAKE PEDAL, PUSH PARKING BRAKE LEVER DOWN AND RELEASE PEDAL TO LOCK

CRUISE CONTROL

DEPRESS SPEED CONTROL PEDAL TO DESIRED SPEED, PUSH CRUISE CONTROL LEVER DOWN AND RELEASE PEDAL, PRESS BRAKE OR SPEED CONTROL TO RELEASE

FOR A LIST OF Optional Attachments, Please Refer To Your Operators Manual.

777D16533



777D16298



777I23301



777D15269



777D15268



777X45529

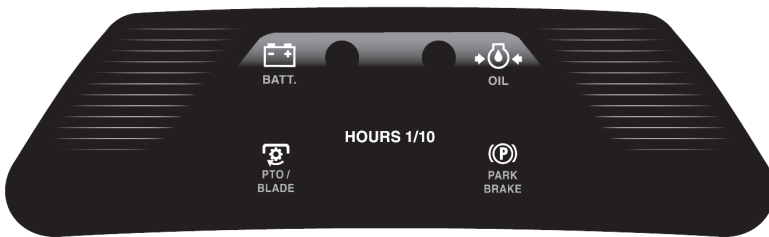
EMISSION CONTROL INFORMATION

MTD CONSUMER GROUP INC.
 This equipment meets U.S. EPA EVP regulations for 2012 model year.
 EVP Family: CMTDPNHEQNC1
 X45529

777D15397



777I23490



777I23295



777D15442



777D15443



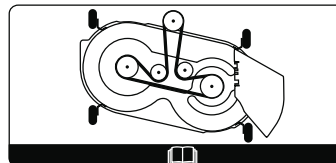
777S33183

⚠ DANGER
AVOID SERIOUS INJURY OR DEATH

- KEEP HANDS AND FEET AWAY FROM ROTATING PARTS.
- REMOVE OBJECTS THAT CAN BE THROWN BY THE BLADE IN ANY DIRECTION. WEAR SAFETY GLASSES.
- DO NOT MOW WHEN CHILDREN OR OTHERS ARE AROUND.
- NEVER CARRY CHILDREN EVEN WITH BLADES OFF.
- USE EXTRA CAUTION ON SLOPES. DO NOT MOW SLOPES GREATER THAN 15°. MOW ACROSS NOT UP AND DOWN. AVOID SUDDEN TURNS, USE LOW SPEED.

READ OPERATOR'S MANUAL, KEEP SAFETY DEVICES IN PLACE AND WORKING.

777I23092



777I23133

⚠ DANGER
KEEP HANDS AND FEET AWAY. DO NOT OPERATE MOWER UNLESS CHUTE DEFLECTOR OR ENTIRE GRASS CATCHER IS IN ITS PROPER PLACE.

ASSEMBLE CHUTE DEFLECTOR TO THIS UNIT BEFORE OPERATING.

777I23765



777X44919

MODEL LTX 1042 REPLACEMENT PARTS			
Use only Cub Cadet genuine factory parts			
Blades	942-04312 (2)	Ignition Key	925-2054A
Upper Drive Belt	954-04208	Solenoid	725-04439
Lower Drive Belt	954-0467	Oil Filter	KH-12-050-01-S
Engine To Deck Belt	954-040608	Air Filter W/ Pre-Cleaner	KH-20-883-02-S1
Deck Spindles	919-04689	Spark Plug	759-3336
		Fuel Filter	KH-25-050-21-S
		Oil Capacity	51.2 oz

www.cubcadet.com

777D15438

PROFESSIONAL GRADE

CAST IRON CYLINDER LINER
FULL-PRESSURE LUBRICATION
EXTENDED FILTRATION PACKAGE

777D12864



777D15437

PROFESSIONAL GRADE

CAST IRON CYLINDER LINER
FULL-PRESSURE LUBRICATION
EXTENDED FILTRATION PACKAGE

777I22679



777I23301



777D15269



777S33233

⚠ DANGER
ROTATING BLADES CAUSE SERIOUS INJURY OR DEATH

- DO NOT MOW WHEN CHILDREN OR OTHERS ARE AROUND
- NEVER CARRY CHILDREN EVEN WITH BLADE(S) OFF.
- LOOK DOWN AND BEHIND BEFORE AND WHILE BACKING.
- MOWING IN REVERSE IS NOT RECOMMENDED.

⚠ WARNING
TO AVOID SERIOUS INJURY OR DEATH

- GO UP AND DOWN SLOPES, NOT ACROSS.
- AVOID SUDDEN TURNS.
- DO NOT OPERATE THE UNIT WHERE IT COULD SLIP OR TIP.
- IF MACHINE STOPS GOING UPHILL, STOP BLADE(S) AND BACK DOWNHILL SLOWLY.
- KEEP SAFETY DEVICES (GUARDS, SHIELDS, AND SWITCHES, ETC.) IN PLACE AND WORKING.
- REMOVE OBJECTS THAT COULD BE THROWN BY THE BLADE(S).
- KNOW LOCATION AND FUNCTION OF ALL CONTROLS.
- BE SURE BLADE(S) AND ENGINE ARE STOPPED BEFORE PLACING HANDS OR FEET NEAR BLADE(S).
- BEFORE LEAVING OPERATOR'S POSITION, DISENGAGE BLADE(S), ENGAGE PARKING BRAKE, SHUT OFF AND REMOVE KEY.

READ OPERATOR'S MANUAL

⚠ WARNING
Operation Of This Equipment May Create Sparks That Can Start Fires Around Dry Vegetation. A Spark Arrestor May Be Required. The Operator Should Contact Local Fire Agencies For Laws Or Regulations To Fire Prevention Requirements.

TO START

- DISENGAGE BLADES/PTO, (POWER TAKE OFF)
- ENGAGE THE TRACTOR'S PARKING BRAKE,
- ACTIVATE THE CHOKE CONTROL.
- TURN KEY TO START ENGINE. AFTER START RELEASE KEY & DEACTIVATE CHOKE BY PLACING THROTTLE TO FAST "RABBIT" POSITION.

OPERATING MODES

NORMAL MOWING
YOU MUST DISENGAGE BLADES/PTO, (POWER TAKE OFF) BEFORE TRAVELING IN REVERSE.

REVERSE CAUTION MODE

- TURN KEY TO REVERSE CAUTION MODE POSITION.
- DEPRESS REVERSE PUSH BUTTON. (RED INDICATOR LIGHT "ON")

WHEN RED LIGHT IS "ON" MACHINE CAN BE OPERATED IN REVERSE WITH MOWER BLADES ENGAGED. (IMPORTANT: MOWING IN REVERSE IS NOT RECOMMENDED.)

- AFTER RESUMING FORWARD OPERATION, RETURN KEY TO "NORMAL MOWING" POSITION.

NOTE: IN BOTH MODES, WHEN OPERATOR LEAVES SEAT, ENGINE WILL STOP UNLESS PARKING BRAKE IS SET AND BLADES ARE DISENGAGED.

LOWER DASH

PARKING BRAKE
DEPRESS BRAKE PEDAL, PUSH PARKING BRAKE LEVER DOWN AND RELEASE PEDAL TO LOCK

CRUISE CONTROL
DEPRESS SPEED CONTROL PEDAL TO DESIRED SPEED, PUSH CRUISE CONTROL LEVER DOWN AND RELEASE PEDAL, PRESS BRAKE OR SPEED CONTROL TO RELEASE

FOR A LIST OF Optional Attachments, Please Refer To Your Operator's Manual.

777D15268



777D15402



777D15338



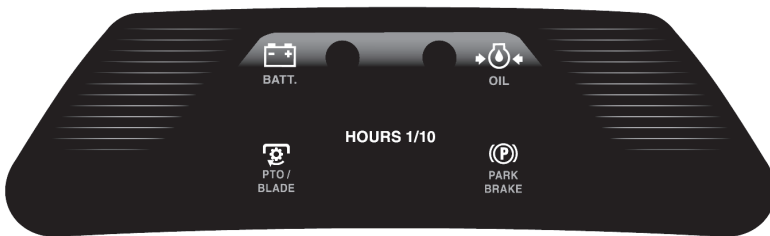
777X44930



777D15399



777I23490



777I23294



777D15435



777D15436



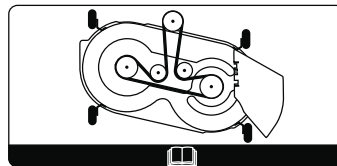
777S30018

⚠ DANGER
AVOID SERIOUS INJURY OR DEATH

- KEEP HANDS AND FEET AWAY FROM ROTATING PARTS
- REMOVE OBJECTS THAT CAN BE THROWN BY THE BLADE IN ANY DIRECTION. WEAR SAFETY GLASSES.
- DO NOT MOW WHEN CHILDREN OR OTHERS ARE AROUND. NEVER CARRY CHILDREN EVEN WITH BLADES OFF.
- USE EXTRA CAUTION ON SLOPES. DO NOT MOW SLOPES GREATER THAN 15°. MOW UP AND DOWN, NOT ACROSS. AVOID SUDDEN TURNS. USE LOW SPEED.

READ OPERATOR'S MANUAL. KEEP SAFETY DEVICES IN PLACE AND WORKING.

777I23092

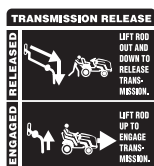


777S33896

⚠ DANGER
KEEP HANDS AND FEET AWAY. DO NOT OPERATE MOWER UNLESS CHUTE DEFLECTOR OR ENTIRE GRASS CATCHER IS IN ITS PROPER PLACE.

ASSEMBLE CHUTE DEFLECTOR TO THIS UNIT BEFORE OPERATING.

777I23132



777X44897

MODEL LTX 1045 REPLACEMENT PARTS

Use only Cub Cadet genuine factory parts

Blades	942-04244A (2)	Oil Filter	KH-12-050-01-S
Lower Drive Belt	954-04207	Air Filter W/ Pre-Cleaner	KH-20-883-02-S1
Engine To Deck Belt	954-04219	Spark Plug	759-3336
Deck Spindles	918-04965A	Fuel Filter	KH-25-050-21-S
Ignition Key	925-2054A	Oil Capacity	51.2 oz
Solenoid	725-04439		

www.cubcadet.com

777D15419

Cub Cadet
ADVANTAGES:

SERIES 1000 LTX

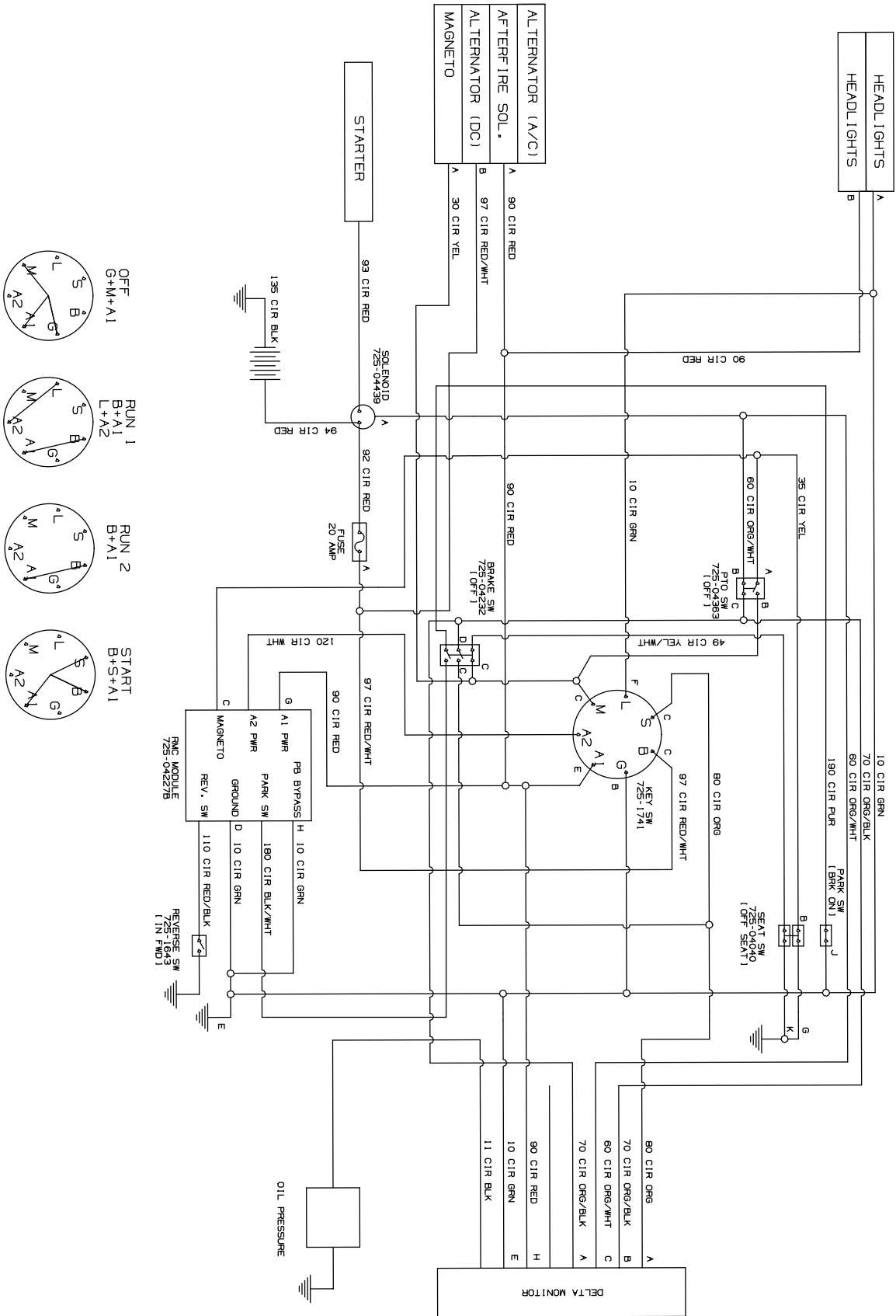
- Industry Leading 12" Turning Radius
- Cub Comfort™ Seat Breathable And Adjustable
- Extra Durable Fully Welded Steel Frame
- Advanced Cutting System For Unsurpassed Results
- 3-and 5-Year Limited Warranty

CAN BE REMOVED AFTER PURCHASE

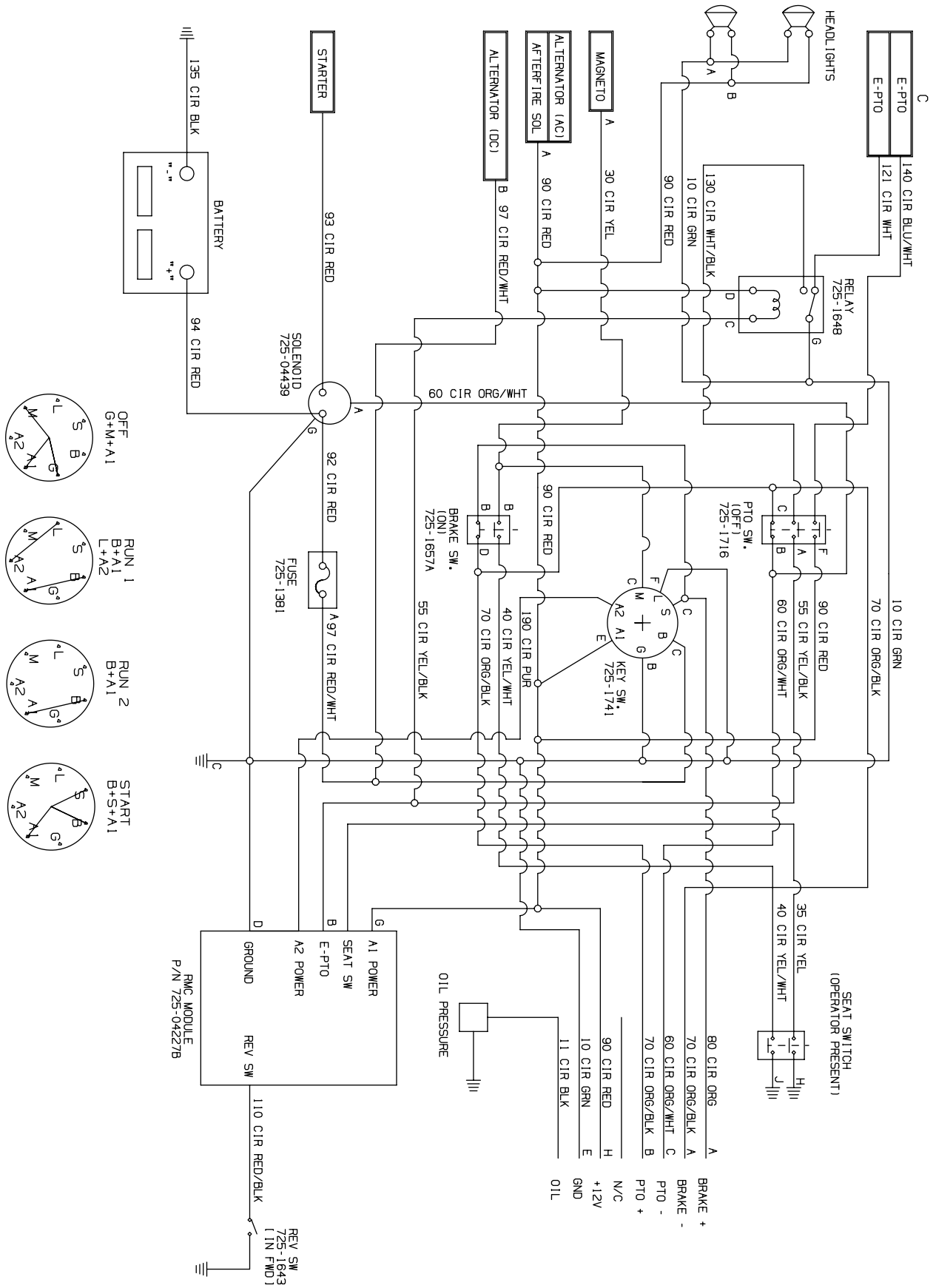
777I23133



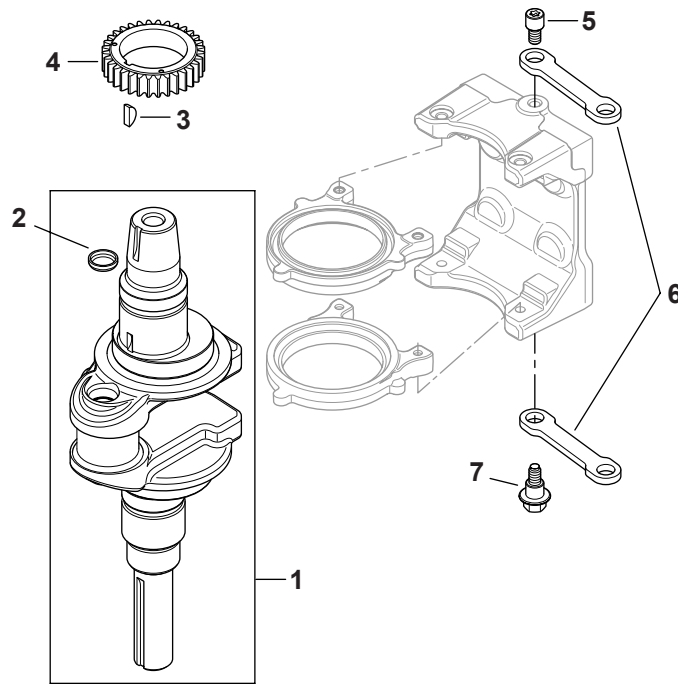
Electrical Schematic (725-04762B)



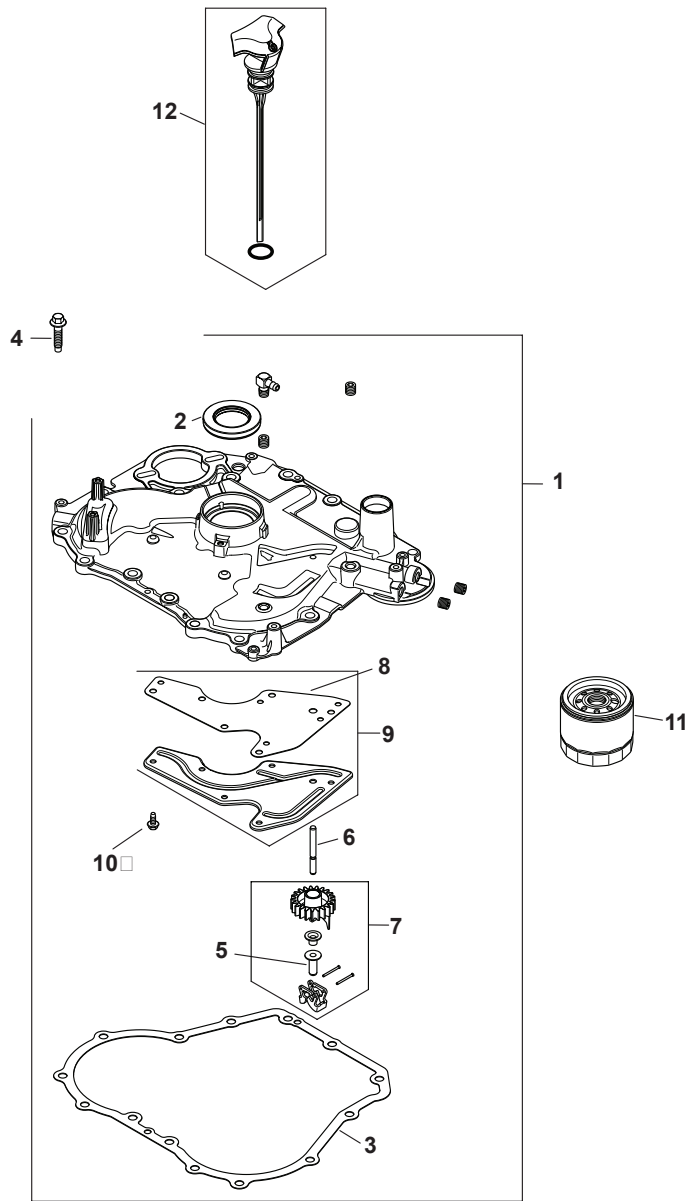
Electrical Schematic (725-04734B)



Kohler SV600-3225 Crankshaft



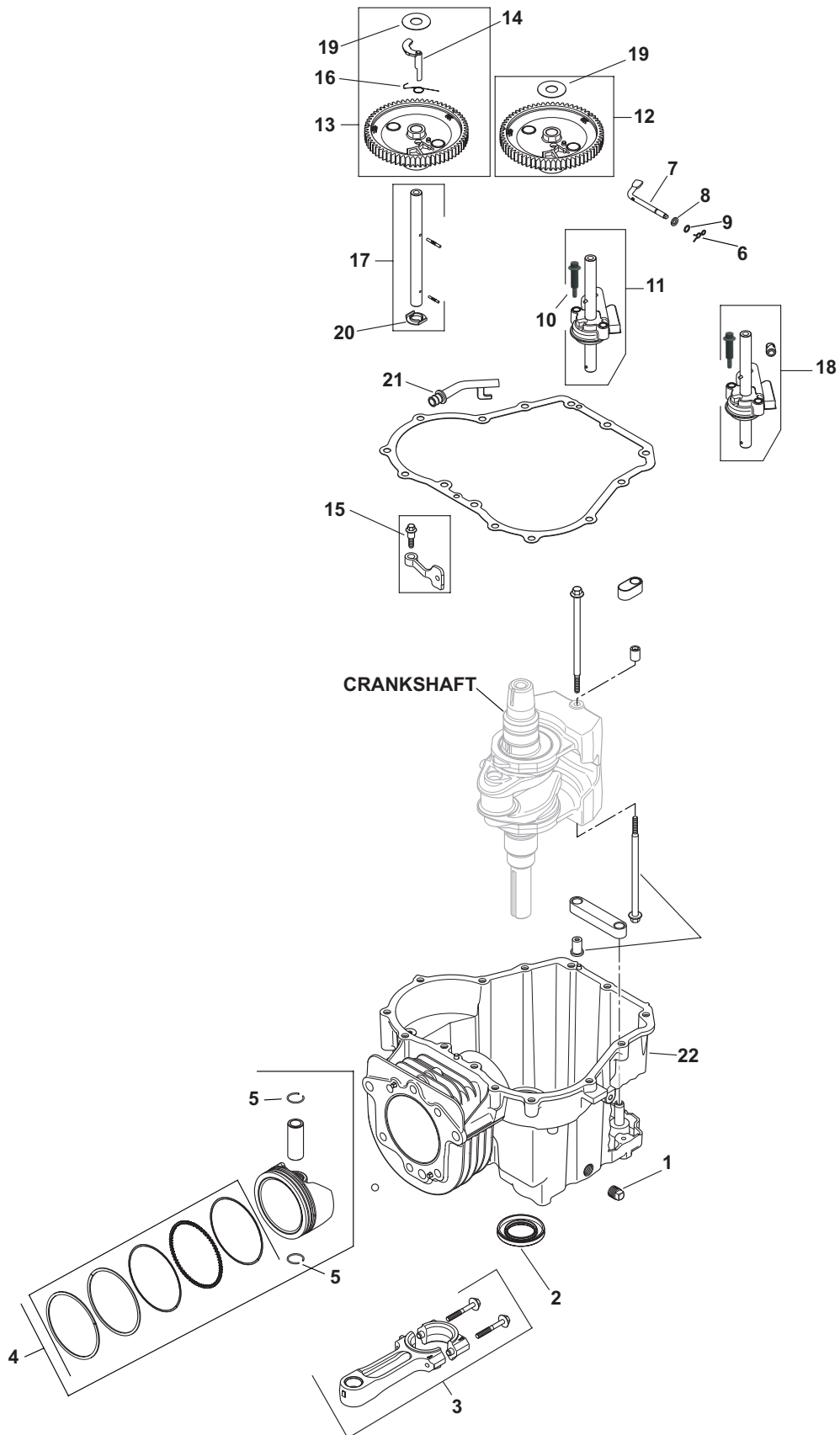
Ref.	Part Number	Description
1	KH-20-014-38-S	Crankshaft Assembly Kit (Inc. 2)
2	KH-25-139-27-S	Cup Plug
3	KH-X-42-15	Key, $\frac{3}{16}$ X $\frac{5}{8}$
4	KH-20-043-15-S	Crankshaft Gear
5	KH-25-086-214-S	Link Pivot Screw
6	KH-20-186-04-S	Balance Weight Linkage
7	KH-25-086-213-S	Shoulder Screw



Ref.	Part Number	Description
1	KH-20-009-30-S	Closure Plate Assembly
2	KH-20-032-08-S	Oil Seal
3	KH-20-041-01-S	Closure Plate Gasket
4	KH-25-086-127-S	Hex Flange Screw, ½
5	KH-12-380-01	Governor Regulating Pin
6	KH-20-144-03-S	Governor Cross Shaft

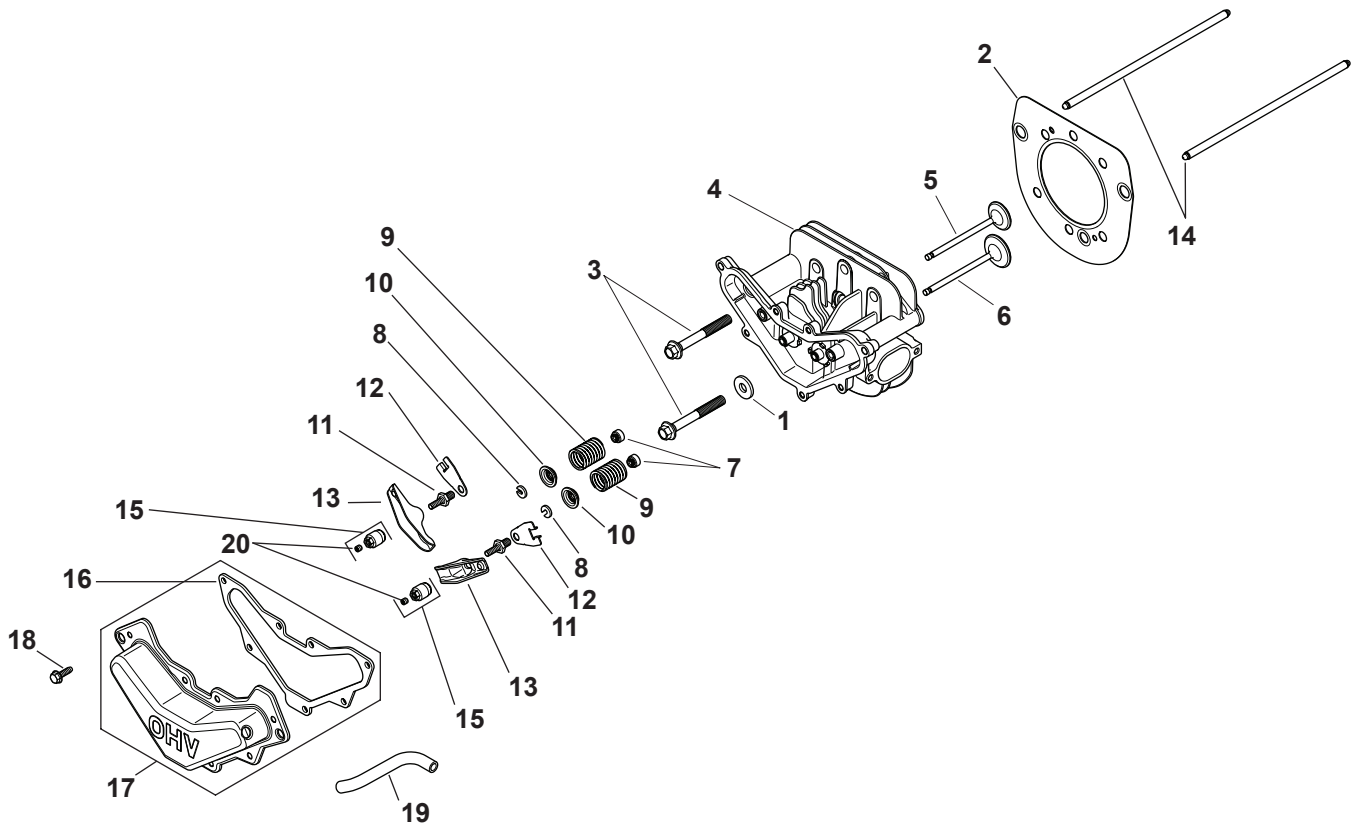
Ref.	Part Number	Description
7	KH-25-310-07-S	Governor Gear Assembly
8	KH-20-041-02-S	Oil Passage Gasket
9	KH-20-096-02-S	Oil Passage Cover Kit (Includes 7)
10	KH-M-545013-S	Flg. Thd. Frm. Screw, M5 X 0.8 X 13
11	KH-12-050-01-S	Oil Filter
12	KH-20-040-08-S	Dipstick Assembly Blade

Kohler SV600-3225 Crankcase



Ref.	Part Number	Description
1	KH-25-139-57-S	Square Head Pipe Plug, $\frac{3}{8}$
2	KH-20-032-08-S	Oil Seal
3	KH-20-067-05-S	Connecting Assembly Rod
4	KH-20-874-16-S	Piston W/ Ring Set Kit, 94mm
5	KH-62-018-04-S	Piston Pin Retainer
6	KH-12-154-05	Hitch Pin Clip
7	KH-20-144-02-S	Governor Cross Shaft
8	KH-M-631015	Flat Washer, 6 Mm
9	KH-X-25-102-S	Flat Washer, $\frac{1}{4}$
10	KH-20-086-12-S	Shd. Thd. Frm. Screw
11	KH-20-393-02-S	Oil Pump Assembly Kit
12	KH-20-010-07-S	Cam Lobe Assembly
13	KH-20-010-08-S	Cam Gear Assembly
14	KH-20-044-32-S	Acr. Weight and Follower Kit
15	KH-20-086-06-S	Shd. Thd. Frm. Screw, M6 x 1 x 26
16	KH-20-089-06-S	Acr. Spring
17	KH-20-144-11-S	Cam Center Shaft Kit
18	KH-20-393-01-S	Oil Pump Kit (Shallow 10mm)
19	KH-20-468-03-S	Thrust -Acr. Washer
20	KH-20-468-08-S	Thrust Washer
21	KH-20-123-02-S	Drainback Tube
22	N/A	Crankcase (Use: Short Block)

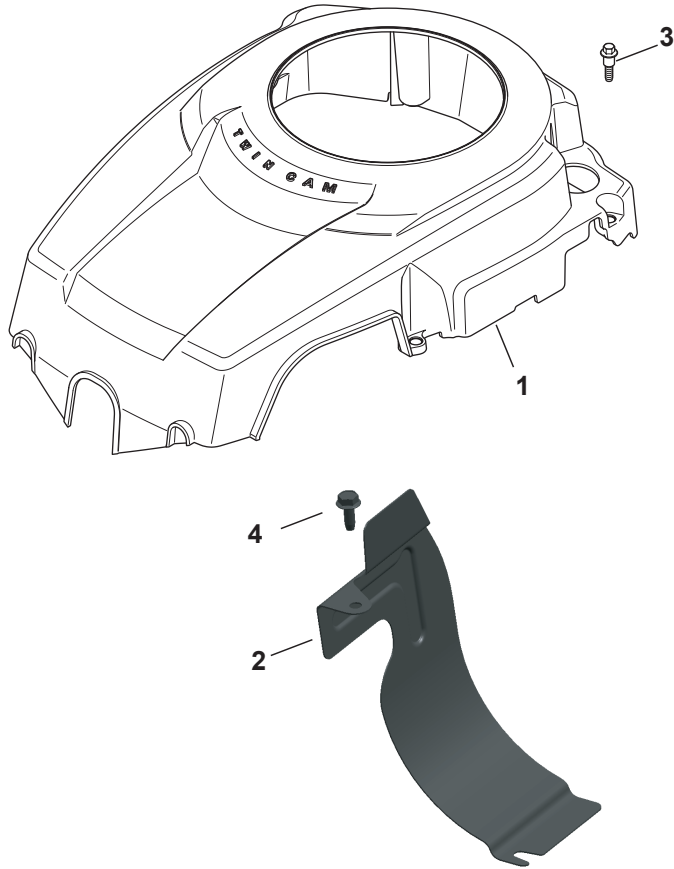
Kohler SV600-3225 Head/Valve/Breather



Ref.	Part Number	Description
1	KH-12-468-05	Flat Washer, $1\frac{3}{32}$
2	KH-20-841-01-S	Cylinder Head Gasket Kit
3	KH-20-086-02-S	Flange Screw, M10 X 1.5 X 80
4	KH-20-318-14-S	Cylinder Head Kit
5	KH-20-016-01-S	Exhaust Valve
6	KH-20-017-01-S	Intake Valve
7	KH-20-032-10-S	Valve Stem Seal
8	KH-20-062-01-S	Retainer Lock
9	KH-20-089-03-S	Valve Spring
10	KH-20-173-01-S	Valve Spring Cap

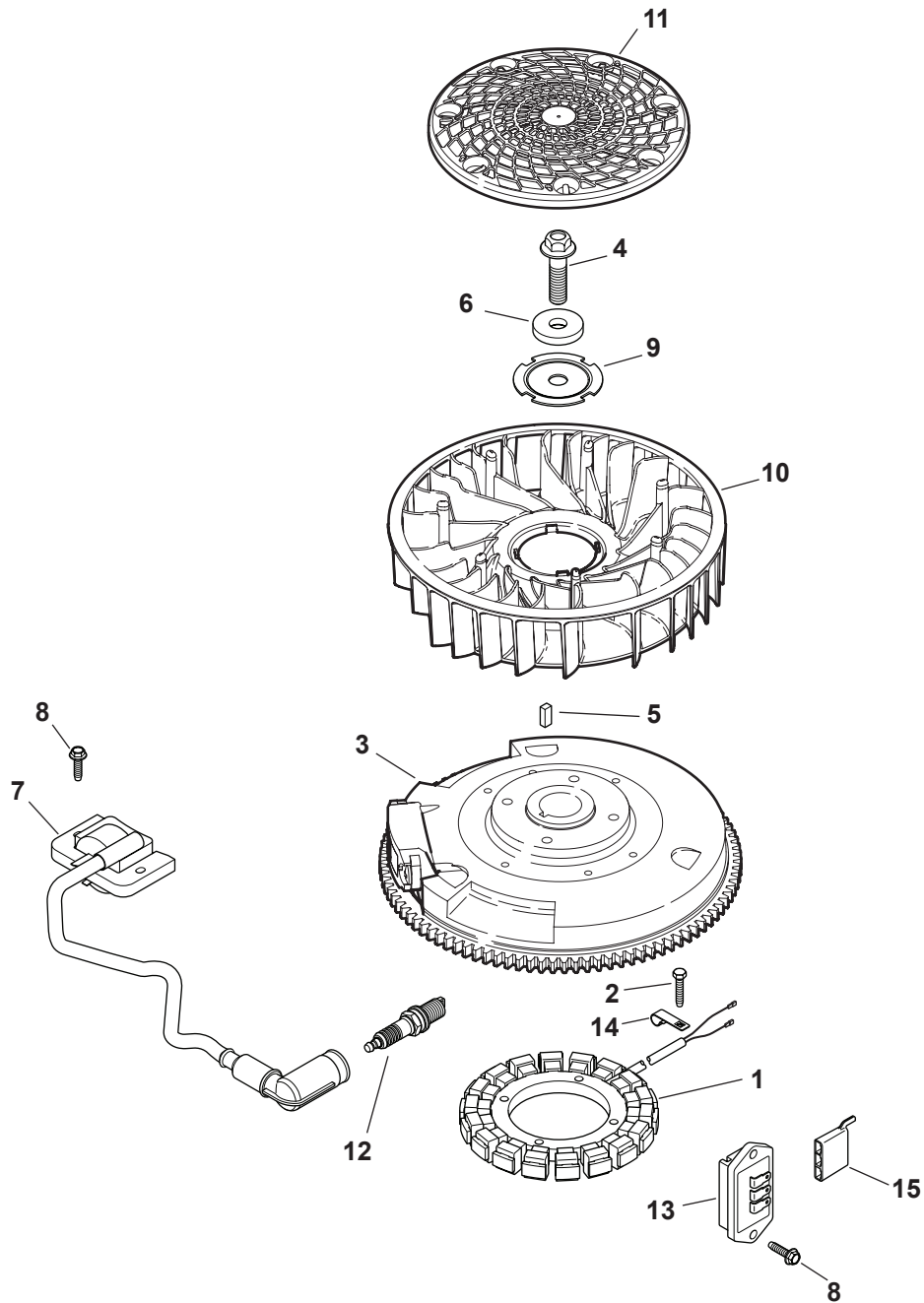
Ref.	Part Number	Description
11	KH-20-072-08-S	Rocker Stud
12	KH-20-146-03-S	Push Rod Guide Plate
13	KH-20-186-01-S	Rocker Arm
14	KH-20-411-05-S	Push Rod
15	KH-20-599-04-S	Rocker Pivot Assembly
16	KH-20-041-13-S	Valve Cover Gasket
17	KH-20-096-14-S	Valve Cover Kit
18	KH-M-645020-S	Flg. Thd. Frm. Screw, M6 X 1.0 X 20
19	KH-20-326-20-S	Breather Hose
20	KH-20-086-04-S	Set Screw

Kohler SV600-3225 Blower Housing & Baffles



Ref.	Part Number	Description
1	KH-20-027-07-S	Blower Housing Kit
2	KH-20-063-03-S	Barrel Baffle
3	KH-20-086-06-S	Shd. Thd. Frm. Screw, M6 X 1 X 26
4	KH-M-645016-S	Flg. Thd. Frm. Screw, M6 X 1.0 X 16

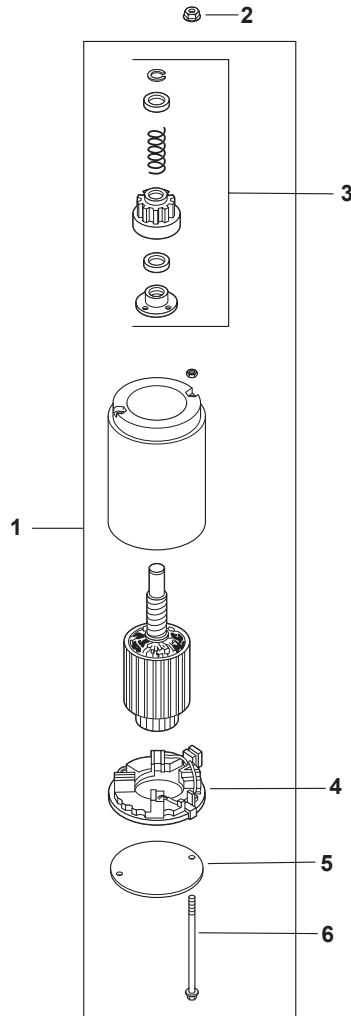
Kohler SV600-3225 Ignition/Electrical



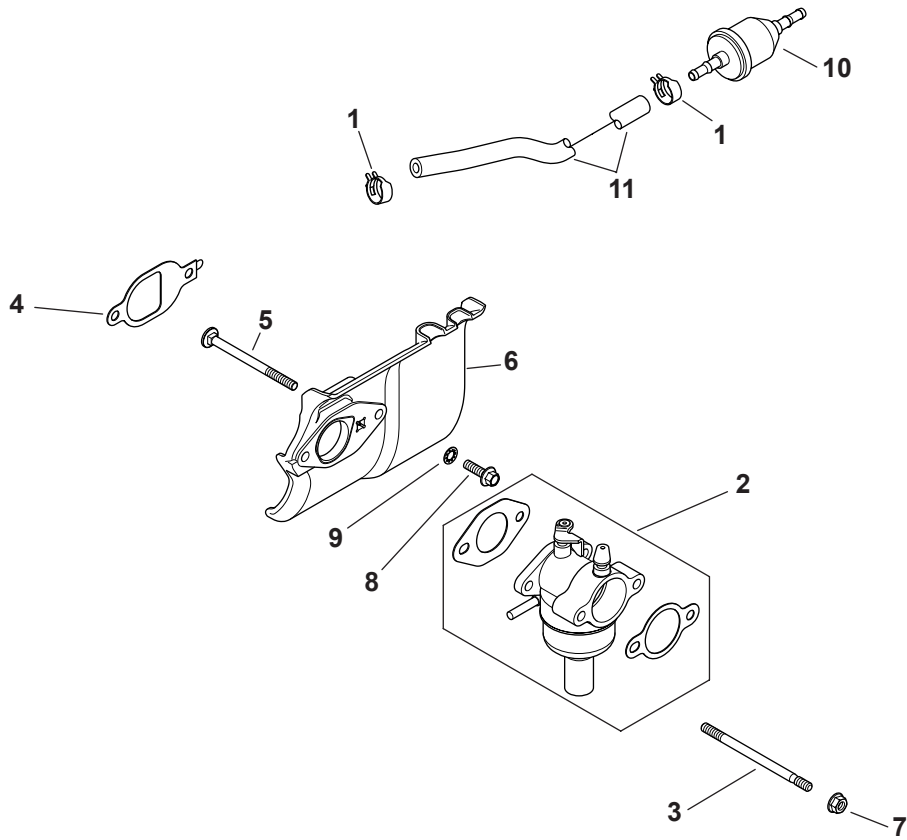
Kohler SV600-3225 Ignition/Electrical

Ref.	Part Number	Description
1	KH-237878	15 Amp Stator Kit
2	KH-M-548025-S	Thd. Frm. Screw, M5 X 0.8 X 25
3	KH-20-025-40-S	Flywheel
4	KH-25-086-362-S	Screw, Hex Flange
5	KH-25-340-04-S	Square Key
6	KH-25-468-09-S	Flat Washer
7	KH-20-584-04-S	Ignition Module
8	KH-M-545020-S	Flg. Thd. Frm. Screw, M5 X .8 X 20
9	KH-20-146-05-S	Fan Mounting Plate
10	KH-20-157-01-S	Fan
11	KH-20-162-02-S	Grass Screen
12	759-3336	Spark Plug
13	KH-41-403-10-S	Regulator/Rectifier
14	KH-20-154-04-S	Wire Clip
15	KH-25-155-41-S	Connector
—	KH-20-176-16-S	Wiring Harness
—	KH-25-454-05-S	Tie

Kohler SV600-3225 Starting System

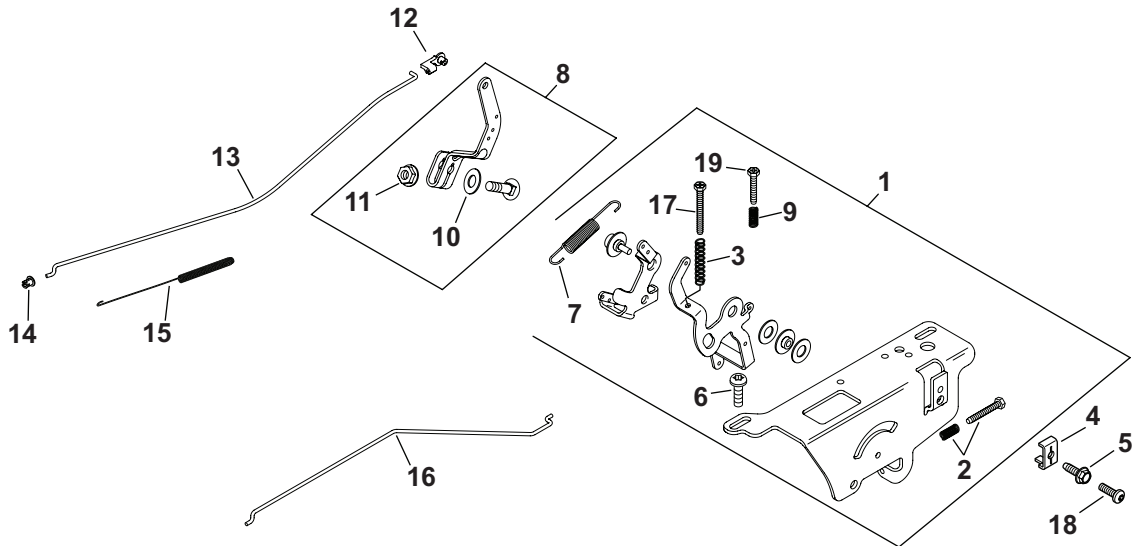


Ref.	Part Number	Description
1	KH-20-098-08-S	Starter Assembly (Inc. 3-6)
2	KH-25-100-31-S	Free Spinning Flg. Nut, #10-24
3	KH-20-755-12-S	Drive Kit (J.E.)
4	KH-12-221-02-S	Brush Kit
5	KH-20-227-01-S	Drive End Cap (J.E.)
6	KH-20-211-02-S	Thru Bolt



Ref.	Part-Number	Description
1	KH-25-237-31-S	Hose Clamp, ½
2	KH-20-853-71-S	Carburetor Kit
3	KH-20-072-05-S	Stud, M6 X 1.0 X 100
4	KH-20-041-18-S	Heat Deflector Gasket
5	KH-20-072-07-S	Carburetor Stud
6	KH-20-265-09-S	Heat Deflector Kit
7	KH-M-641060-S	Flange Nut, M6 X 1.0
8	KH-M-651020-S	Flange Screw, M6 X 1.0 X 20
9	KH-X-22-11	Int. Tooth Lock Washer, ¼
10	KH-25-050-22-S1	Fuel Filter
11	KH-25-111-72-S	Fuel Line
—	KH-25-454-05-S	Tie

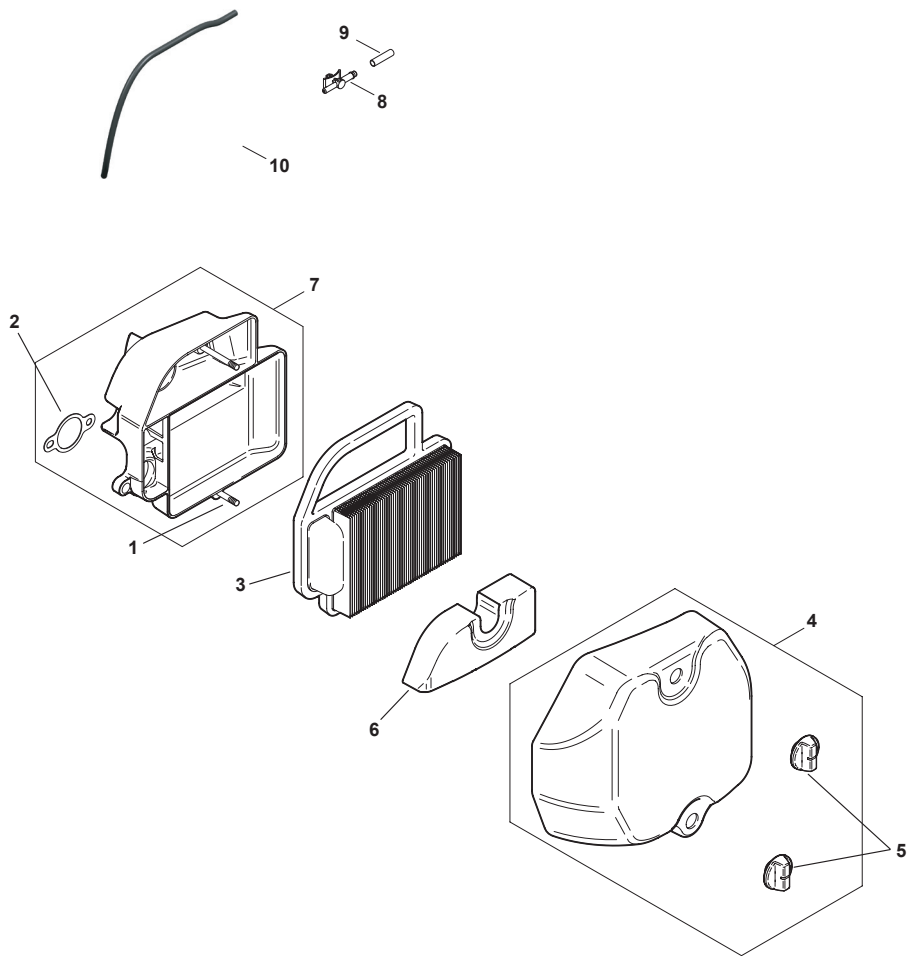
Kohler SV600-3225 Engine Controls



Ref.	Part-Number	Description
1	KH-20-536-06-S	Speed Control Assembly Kit (Inc. 2, 3, 6, 7, 17, 19, 20)
2	KH-25-086-297-S	Idle Adj. Screw & Spring Kit
3	KH-20-089-12-S	Speed Control Spring
4	KH-12-237-01	Cable Clamp
5	KH-M-545016-S	Flg. Thd. Frm. Screw, M5 X 0.8 X 16
6	KH-M-664020-S	Lbd. Skt. Screw, M6 X 1.0 X 20
7	KH-20-089-11-S	Governor Spring
8	KH-20-090-11-S	Governor Assembly Lever (Inc. 9-11)
9	KH-12-089-11-S	Speed Control Spring (Short)

Ref.	Part-Number	Description
10	KH-X-22-11	Int. Tooth Lock Washer, ¼
11	KH-12-100-07-S	Hex Flange Nut, ¼-20
12	KH-25-158-11	Throttle Linkage Bushing
13	KH-20-079-07-S	Throttle Linkage
14	KH-25-158-08	Linkage Retaining Bushing
15	KH-20-089-10-S	Linkage Spring
16	KH-20-079-05-S	Choke Linkage
17	KH-20-086-18-S	Phl. Thd. Frm. Screw, M4 X 0.7 X 38
19	KH-20-086-10-S	Phl. Thd. Frm. Screw, M4 X 0.7 X 25

Kohler SV600-3225 Air Intake/Filtration

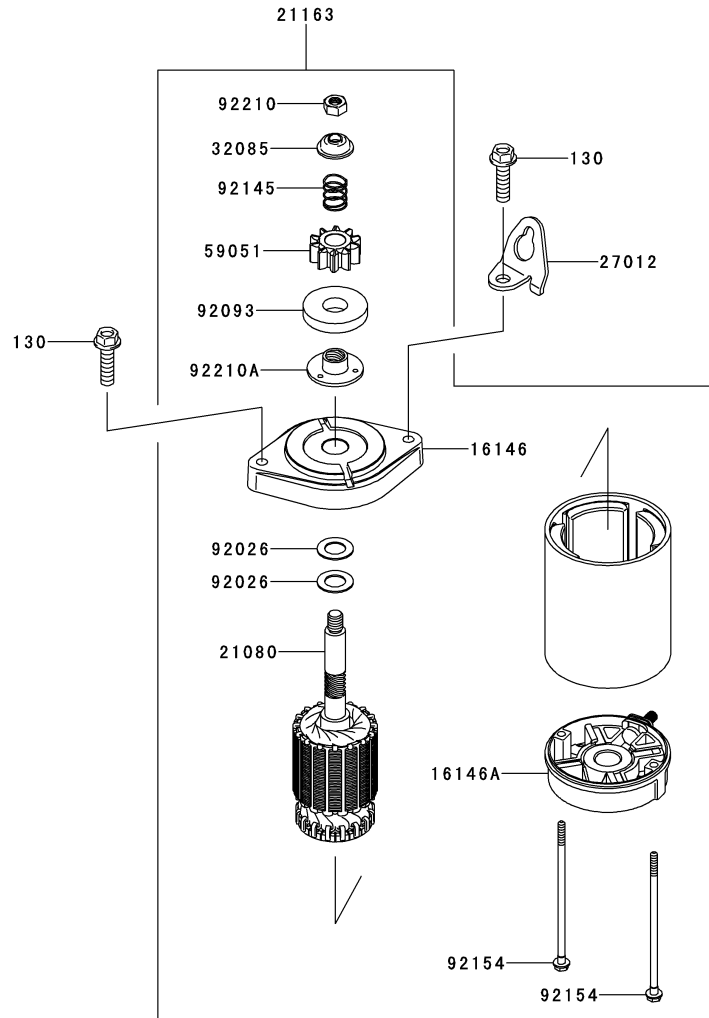


Ref.	Part Number	Description
1	KH-20-072-04-S	Air Cleaner Base Stud
2	KH-12-041-02	Air Cleaner Base Gasket
3	KH-20-883-02-S1	Air Cleaner Element
4	KH-20-096-04-S	Air Cleaner Cover Kit
5	KH-25-341-04-S	Cover Knob
6	KH-20-883-02-S1	Pre-Cleaner Element (Dry)
7	KH-20-094-06-S	Air Cleaner Base Kit
8	KH-25-155-51-S	Evaporative Connector
9	KH-25-173-33-S	Masking Cap
10	KH-25-326-08-S	Hose, Evaporative, 20"

Kohler SV600-3225 Miscellaneous

Ref.	Part Number	Description
N/A	Decals	
	KH-25-113-39-S	Clear Laminate Decal
	KH-20-113-14-S	20HP

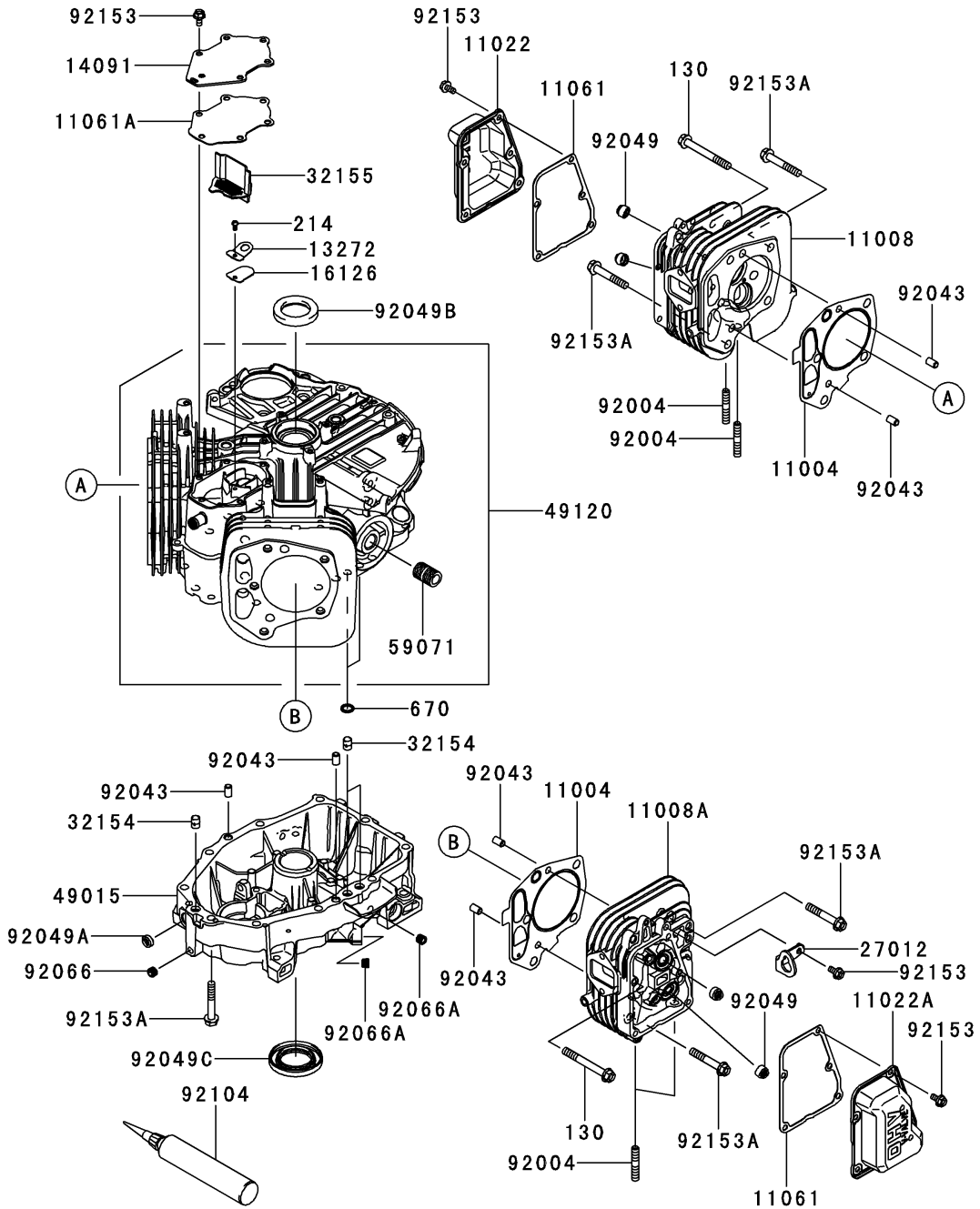
Kawasaki FR600V-AS06 Starter



Ref.	Part Number	Description
16146	KM-16146-0707	Cover Assembly
16146A	KM-16146-0708	Cover Assembly
21080	KM-21080-0002	Armature
21163	KM-21163-7036	Electric Starter
27012	KM-27012-7008	Hook
32085	KM-32085-0708	Stopper
59051	KM-59051-0719	Gear-Spur
92026	KM-92026-0720	Spacer
92093	KM-92093-0576	Seal
92145	KM-92145-0851	Spring
92154	KM-92154-0804	Bolt
92210	KM-92210-0741	Nut
92210A	KM-92210-0742	Nut
130	KM-130AA0830	Flanged Bolt, 8 X 30

Kawasaki FR600V-AS06 Cylinder/Crankcase

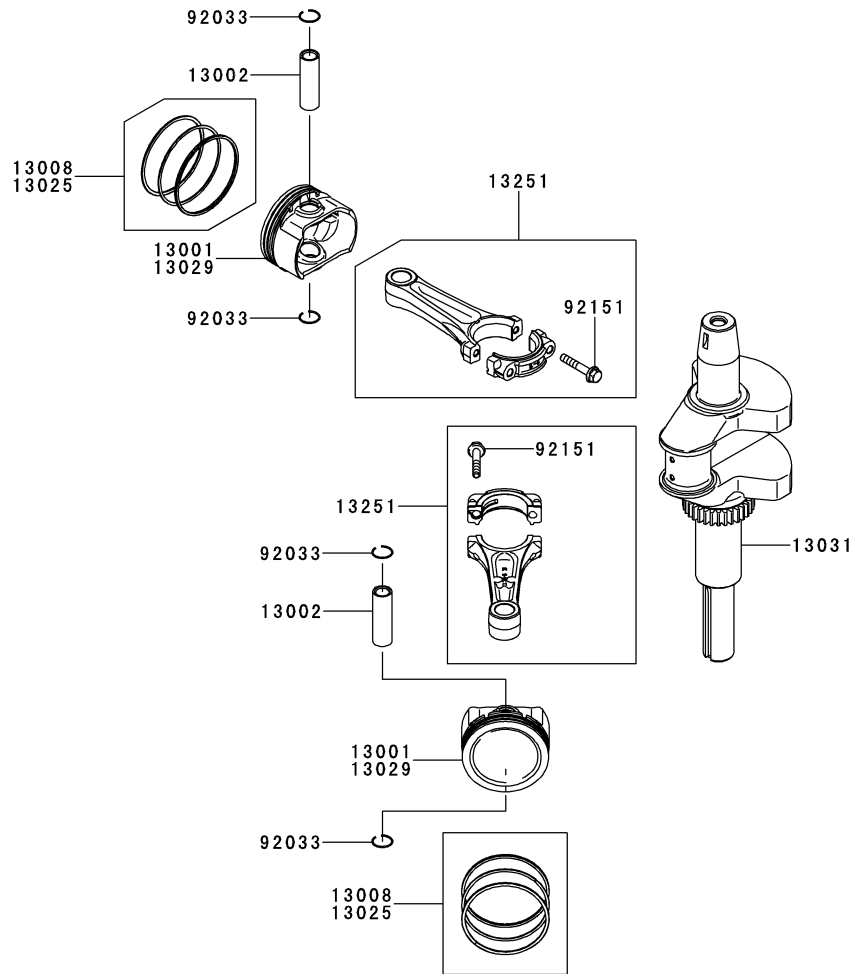
E0110-A716A



Kawasaki FR600V-AS06 Cylinder/Crankcase

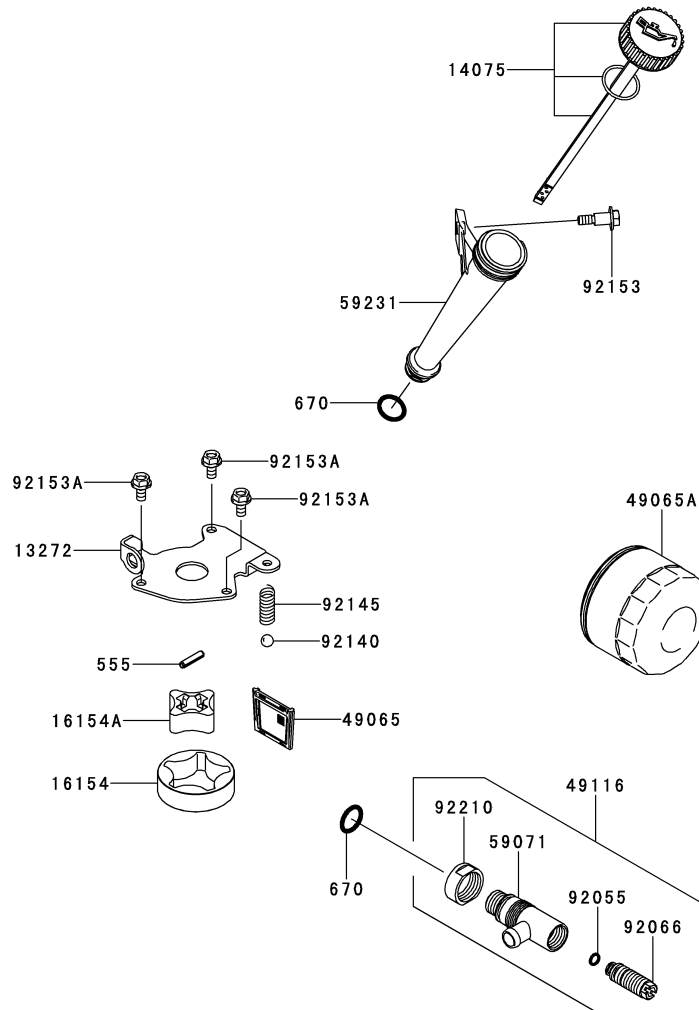
Ref.	Part Number	Description
11004	KM-11004-7027	Head Gasket
11008	KM-11008-7050	Complete Cylinder Head, #1
11008A	KM-11008-7051	Complete Cylinder Head, #2
11022	KM-11022-7034	Rocker Case, #1
11022A	KM-11022-7035	Rocker Case, #2
11061	KM-11061-7083	Rocker Case Gasket
11061A	KM-11061-7094	Breather Gasket
13272	KM-13272-7004	Breather Plate
14091	KM-14091-7064	Breather Cover
16126	KM-16126-7020	Breather Valve
27012	KM-27012-0721	Lift Hook
32154	KM-32154-7019	Pipe
32155	KM-32155-7003	Breather Pipe
49015	KM-49015-7110	Crankcase Cover
49120	KM-49120-7145	Complete Crankcase
59071	KM-59071-7025	Joint
92004	KM-92004-7024	Stud, 8 x 30
92043	KM-92043-1263	Pin
92049	KM-92049-7001	Oil Seal, RVC2, 6 X 11 X 10.2
92049A	KM-92049-7005	Oil Seal, So 8 X 14 X 5 HS
92049B	KM-92049-7010	Oil Seal, Sd 35 X 48 X 8 R HS
92049C	KM-92049-7028	Oil Seal, 38 X 62 X 8 MTCLV
92066	KM-92066-7023	Plug
92066A	KM-92066-7026	Plug
92153	KM-92153-7043	Bolt, 6 X 12
92153A	KM-92153-7054	Bolt, 8 X 50
130	KM-130CA0870	Flanged Bolt, 8 X 70
214	KM-214AA0408	Pan Screw +/-, 4 X 8
670	KM-670B2011	O-Ring, 11mm

Kawasaki FR600V-AS06 Piston/Crankshaft



Ref.	Part Number	Description
13001	KM-13001-7031	Engine Piston
13002	KM-13002-7001	Piston Pin
13008	KM-13008-7006	Piston Ring Set
13025	KM-13025-7010	Piston Ring Set L, 0.5
13029	KM-13029-7011	Engine Piston L, 0.5
13031	KM-13031-7097	Complete Crankshaft
13251	KM-13251-7021	Connecting Rod Assembly
92033	KM-92033-7002	Snap Ring
92151	KM-92151-7017	Bolt, 6 X 35

Kawasaki FR600V-AS06 Lubrication Equipment

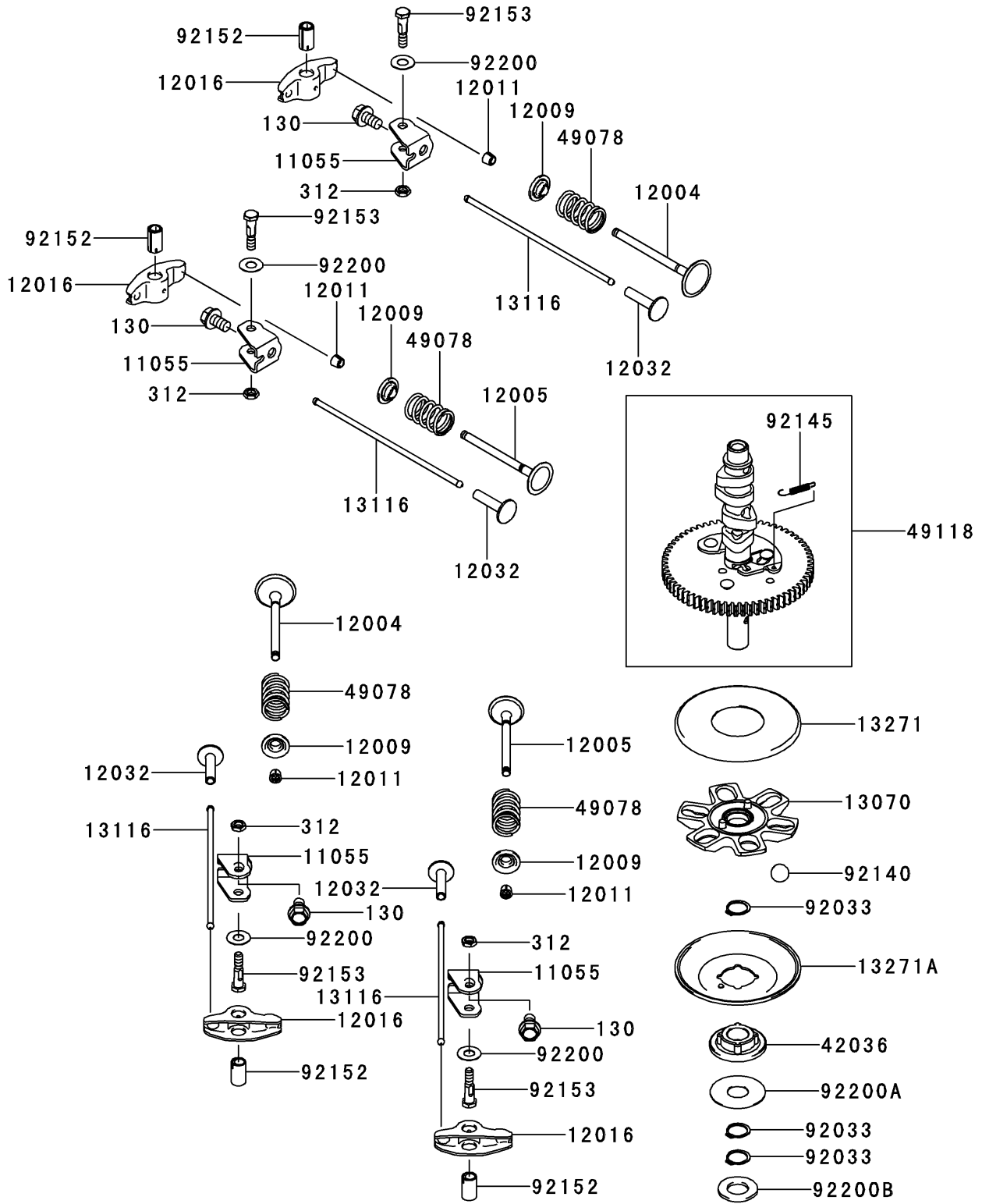


Ref.	Part Number	Description
13272	KM-13272-7011	Rotor Plate
14075	KM-14075-7013	Oil Gauge Cap Assembly
16154	KM-16154-7010	Outer Rotor Pump
16154A	KM-16154-7011	Inner Rotor Pump
49065	KM-49065-7006	Oil Filter
49065A	KM-49065-7007	Oil Filter
49116	KM-49116-7001	Valve Assembly
59071	KM-59071-7008	Joint
59231	KM-59231-7016	Filler

Ref.	Part Number	Description
92055	KM-92055-7002	O-Ring, 6mm
92066	KM-92066-7007	Plug
92140	KM-92140-7003	Ball
92145	KM-92145-7002	Spring
92153	KM-92153-7008	Bolt
92153A	KM-92153-7043	Bolt, 6 X 12
92210	KM-92210-7012	Nut, M22
555	KM-555A0420	Spring Pin, 4 X 20
670	KM-670D2016	O-Ring, 16mm

Kawasaki FR600V-AS06 Valve & Camshaft

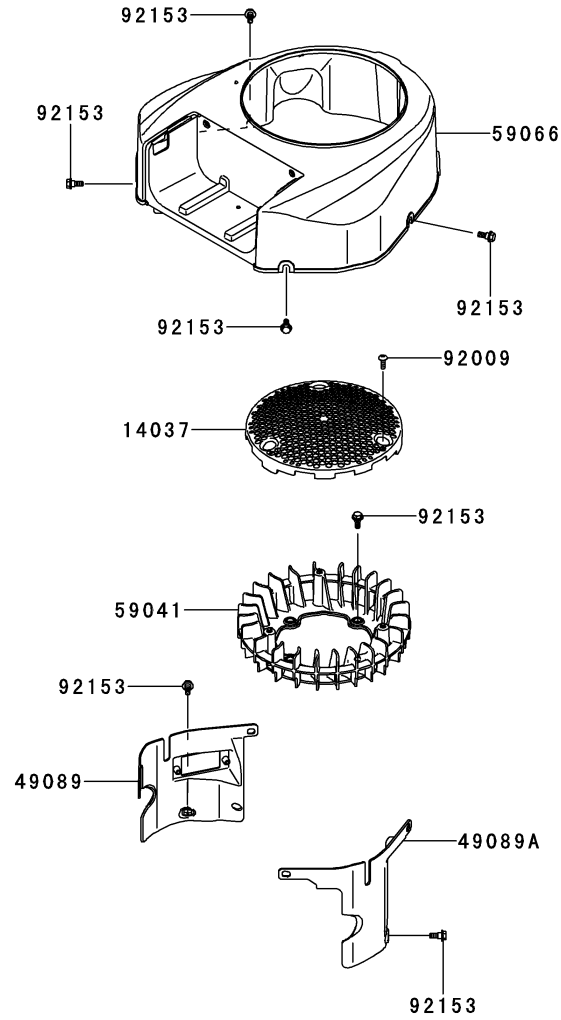
E0130-A197A



Kawasaki FR600V-AS06 Valve & Camshaft

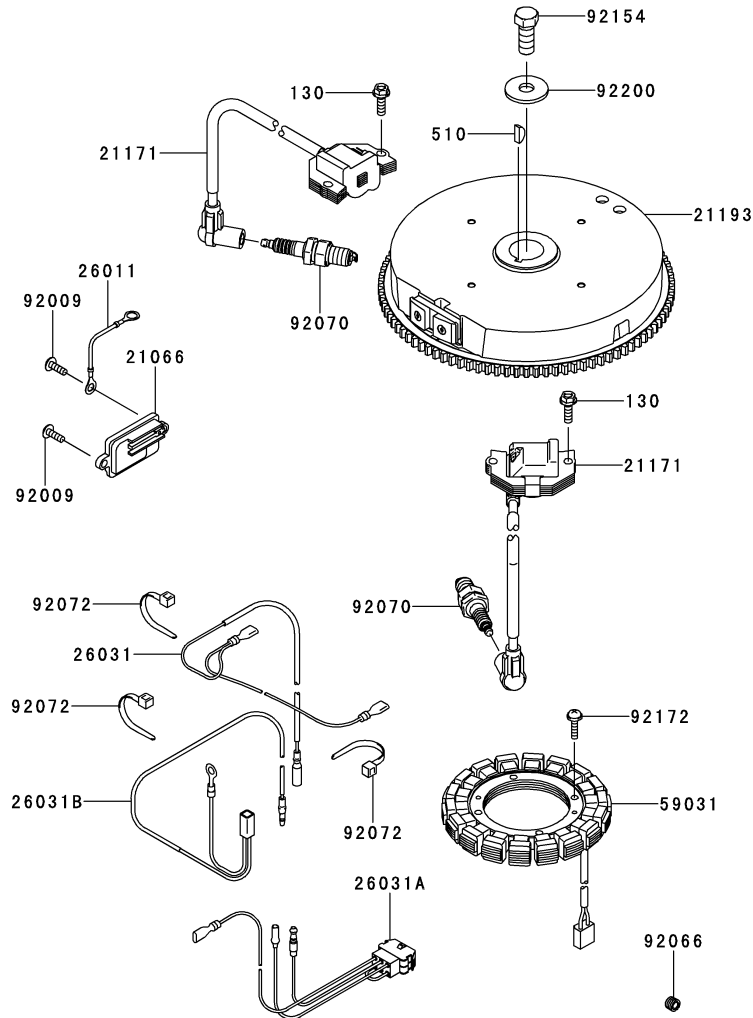
Ref.	Part Number	Description
11055	KM-11055-7009	Bracket
12004	KM-12004-7009	Intake Valve
12005	KM-12005-7010	Exhaust Valve
12009	KM-12009-7001	Valve Spring Retainer
12011	KM-12011-2056	Collet
12016	KM-12016-2066	Rocker Arm
12032	KM-12032-7001	Tappet
13070	KM-13070-7017	Governor Guide
13116	KM-13116-7008	Push Rod
13271	KM-13271-7007	Plate
13271A	KM-13271-7021	Governor Plate
42036	KM-42036-7021	Sleeve
49078	KM-49078-7002	Engine Valve Spring, IN
49118	KM-49118-7027	Complete Camshaft
92033	KM-92033-7001	Snap Ring
92140	KM-92140-7005	Ball
92145	KM-92145-7001	Spring
92152	KM-92152-7020	Collar
92153	KM-92153-7100	Bolt, 6 X 29.5
92200	KM-92200-2151	Washer, 8.1 X 18 X 0.5
92200A	KM-92200-7009	Washer, 16 X 42 X 0.91
92200B	KM-92200-7048	Washer, 16.3 X 30 X 2.28
130	KM-130AA0814	Flanged Bolt, 8 X 14
312	KM-312AA0600	Hex Nut, 6mm

Kawasaki FR600V-AS06 Cooling Equipment



Ref.	Part Number	Description
14037	KM-14037-7033	Screen
49089	KM-49089-7091	Engine Shroud
49089A	KM-49089-7092	Engine Shroud
59041	KM-59041-7020	Fan
59066	KM-59066-7067	Fan Housing
92009	KM-92009-2303	Screw
92153	KM-92153-7007	Bolt

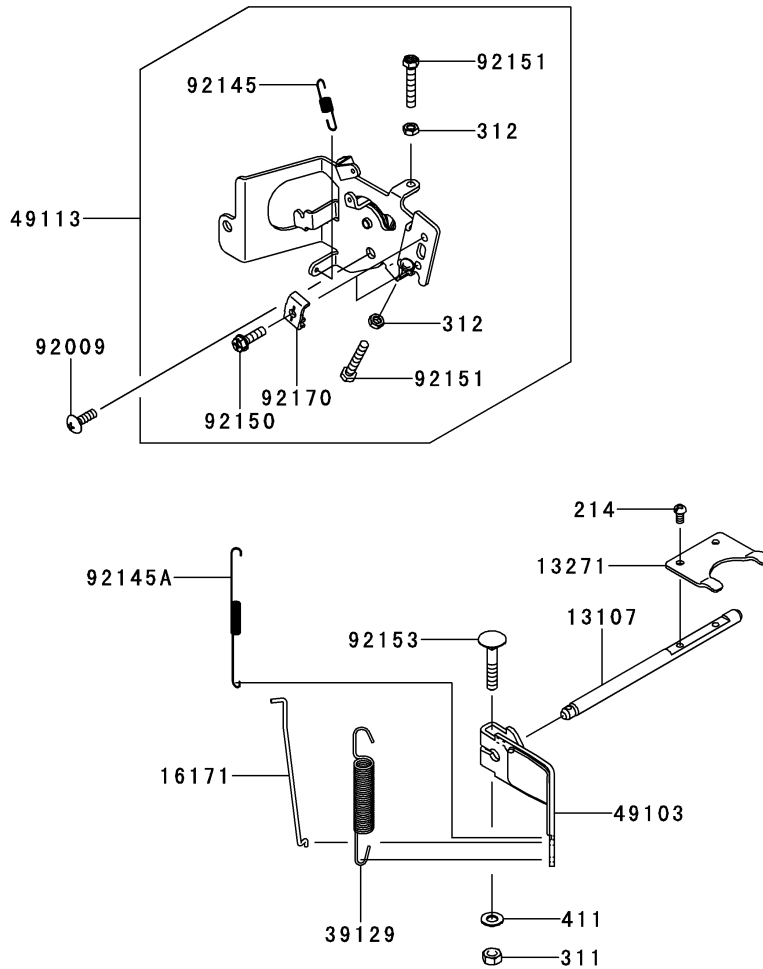
Kawasaki FR600V-AS06 Electric Equipment



Ref.	Part Number	Description
21066	KM-21066-7017	Voltage Regulator
21171	KM-21171-0711	Ignition Coil Assembly
21193	KM-21193-7061	Flywheel Assembly
26011	KM-26011-7025	Lead Wire, L = 95
26031	KM-26031-7040	Harness
26031A	KM-26031-7044	Harness
26031B	KM-26031-7047	Harness
59031	KM-59031-7017	Charging Coil
92009	KM-92009-2303	Screw

Ref.	Part Number	Description
92066	KM-92066-7026	Plug
92070	KM-BPR4ES	Spark Plug, BPR4ES (NGK)
92072	KM-92072-7003	Band
92154	KM-92154-7003	Bolt, 12 X 30
92172	KM-92172-7018	Screw, 5 X 20
92200	KM-92200-7002	Washer
130	KM-130AA0620	Flanged Bolt, 6 X 20
510	KM-510A5100	Woodruff Key

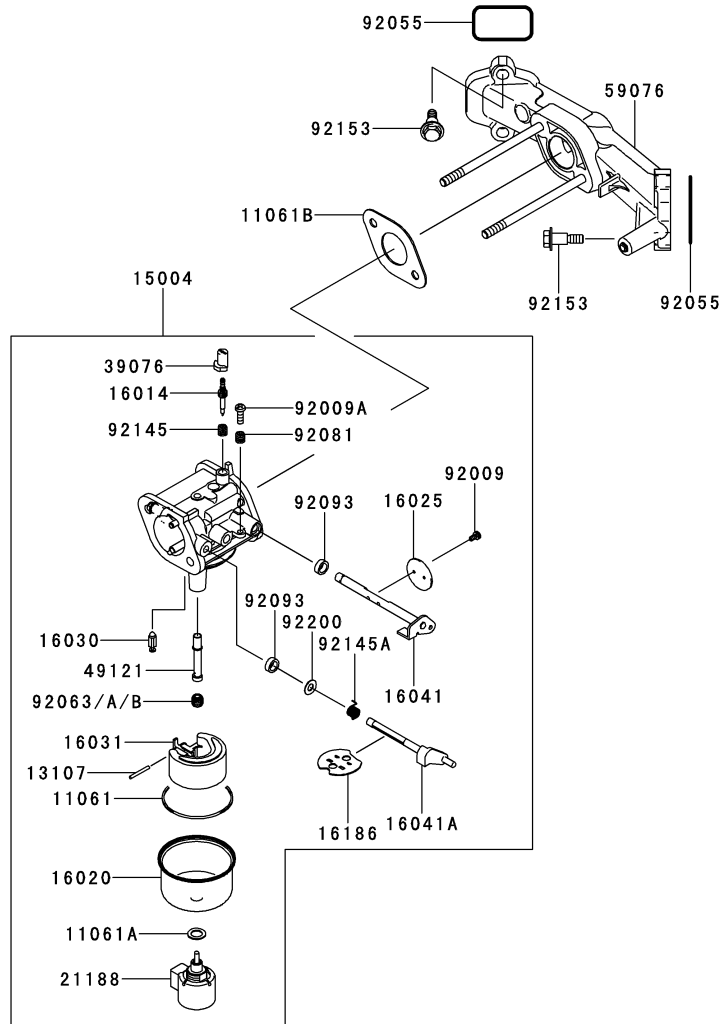
Kawasaki FR600V-AS06 Control Equipment



Ref.	Part Number	Description
13107	KM-13107-7049	Shaft
13271	KM-13271-7038	Plate
16171	KM-16171-7025	Link
39129	KM-39129-7033	Governor Spring
49103	KM-49103-7017	Governor Arm
49113	KM-49113-0716	Complete Control Panel
92009	KM-92009-2303	Screw
92145	KM-92145-7032	Spring
92145A	KM-92145-7057	Spring

Ref.	Part Number	Description
92150	KM-92150-2182	Bolt, 5 X 18
92151	KM-92151-7014	Bolt, 5 x 30
92153	KM-92153-7033	Bolt, 6 X 35
92170	KM-92170-7001	Clamp
214	KM-214AA0408	Pan Screw +-, 4 X 8
311	KM-311AA0600	Hex Nut, 6mm
312	KM-312AA0500	Hex Nut, 5mm
411	KM-411AA0600	Plain Washer, 6mm

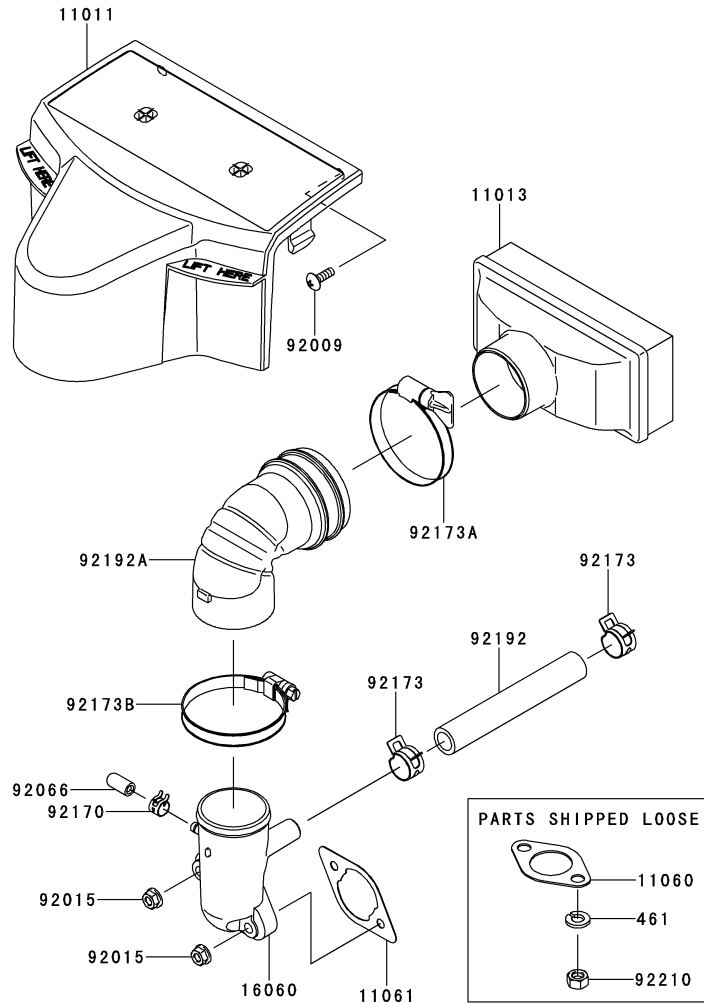
Kawasaki FR600V-AS06 Carburetor



Ref.	Part Number	Description
11061	KM-11061-7009	Chamber Gasket
11061A	KM-11061-7010	Screw Gasket
11061B	KM-11061-7103	Gasket
13107	KM-13107-7018	Shaft
15004	KM-15004-7053	Carburetor Assembly
16014	KM-16014-7011	Pilot Air Screw
16020	KM-16020-7003	Float Chamber
16025	KM-16025-7006	Throttle Valve
16030	KM-16030-7003	Float Valve
16031	KM-16031-7002	Float
16041	KM-16041-7018	Throttle Carburetor Shaft
16041A	KM-16041-7049	Choke Carburetor Shaft
16186	KM-16186-7001	Choke Valve Assembly
21188	KM-21188-7002	Solenoid
39076	KM-39076-7001	Limiter

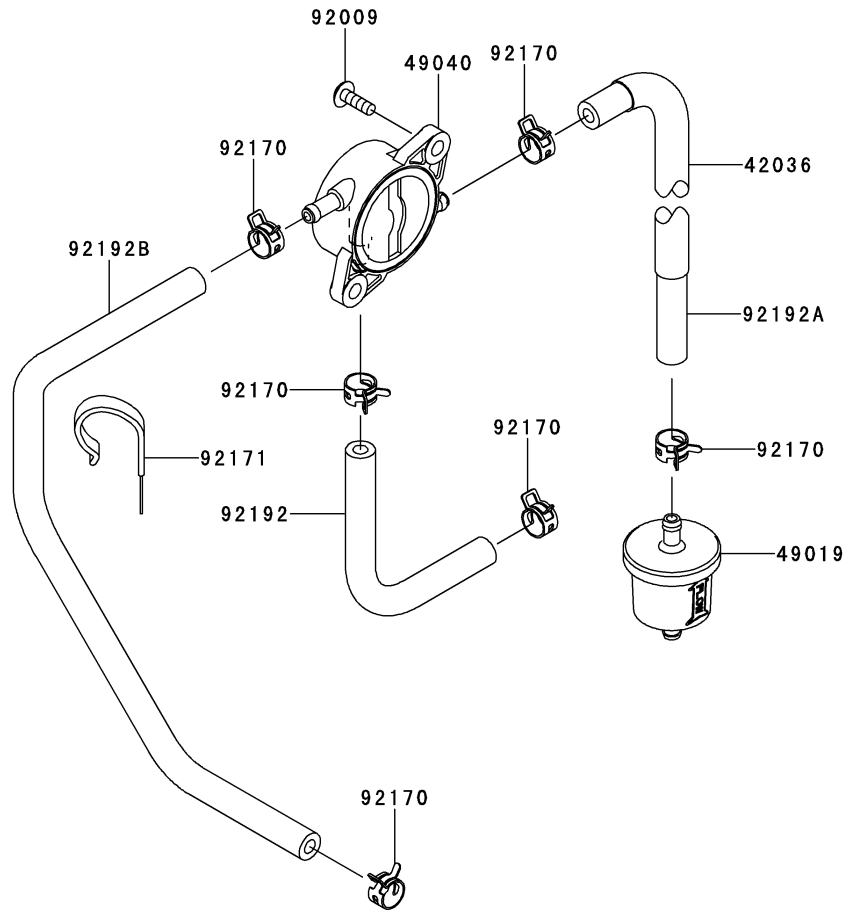
Ref.	Part Number	Description
49121	KM-49121-7019	Main Nozzle
59076	KM-59076-7026	Intake Manifold
92009	KM-92009-2083	Screw
92009A	KM-92009-2349	Screw
92055	KM-92055-7026	O-Ring, 42mm
92063	KM-92063-7046	Main Jet, #100
92063A	KM-92063-7047	Main Jet, #098
92063B	KM-92063-7156	Main Jet, #102
92081	KM-92081-2234	Spring
92093	KM-92093-2100	Seal
92145	KM-92145-7015	Spring
92145A	KM-92145-7061	Spring
92153	KM-92153-7008	Bolt
92200	KM-92200-2061	Washer, 9.8 x 5.5 x 1.0

Kawasaki FR600V-AS06 Air Filter/Muffler



Ref.	Part Number	Description
11011	KM-11011-8001	Air Filter Case
11013	KM-11013-7050	Air Filter Element
11060	KM-11060-7016	Muffler Gasket
11061	KM-11061-7095	Air Cleaner Gasket
16060	KM-16060-7039	Intake Pipe
92009	KM-92009-2303	Screw
92015	KM-92015-1367	Nut
92066	KM-92066-0095	Plug
92170	KM-92170-2042	Clamp
92173	KM-92173-7003	Clamp
92173A	KM-92173-7007	Clamp
92173B	KM-92173-7009	Clamp
92192	KM-92192-7146	Tube, 12.6 X 18.6 X 118
92192A	KM-92192-7164	Air Filter Tube
92210	KM-92210-7027	Nut, M8
461	KM-461DA0800	Washer-Spring Washer, 8mm

Kawasaki FR600V-AS06 Fuel Tank/Fuel Valve



Ref.	Part Number	Description
42036	KM-42036-7015	Sleeve
49019	KM-49019-7005	Fuel Filter
49040	KM-49040-7008	Fuel Pump
92009	KM-92009-2303	Screw
92170	KM-92170-2009	Clamp
92171	KM-92171-7005	Clamp
92192	KM-92192-7148	Tube, 6.4 X 12.7 X 150
92192A	KM-92192-7172	Tube, 6.35 X 12.7 X 185
92192B	KM-92192-7184	Tube, 6.35 X 12.7 X 360

Kawasaki FR600V-AS06 Engine Labels

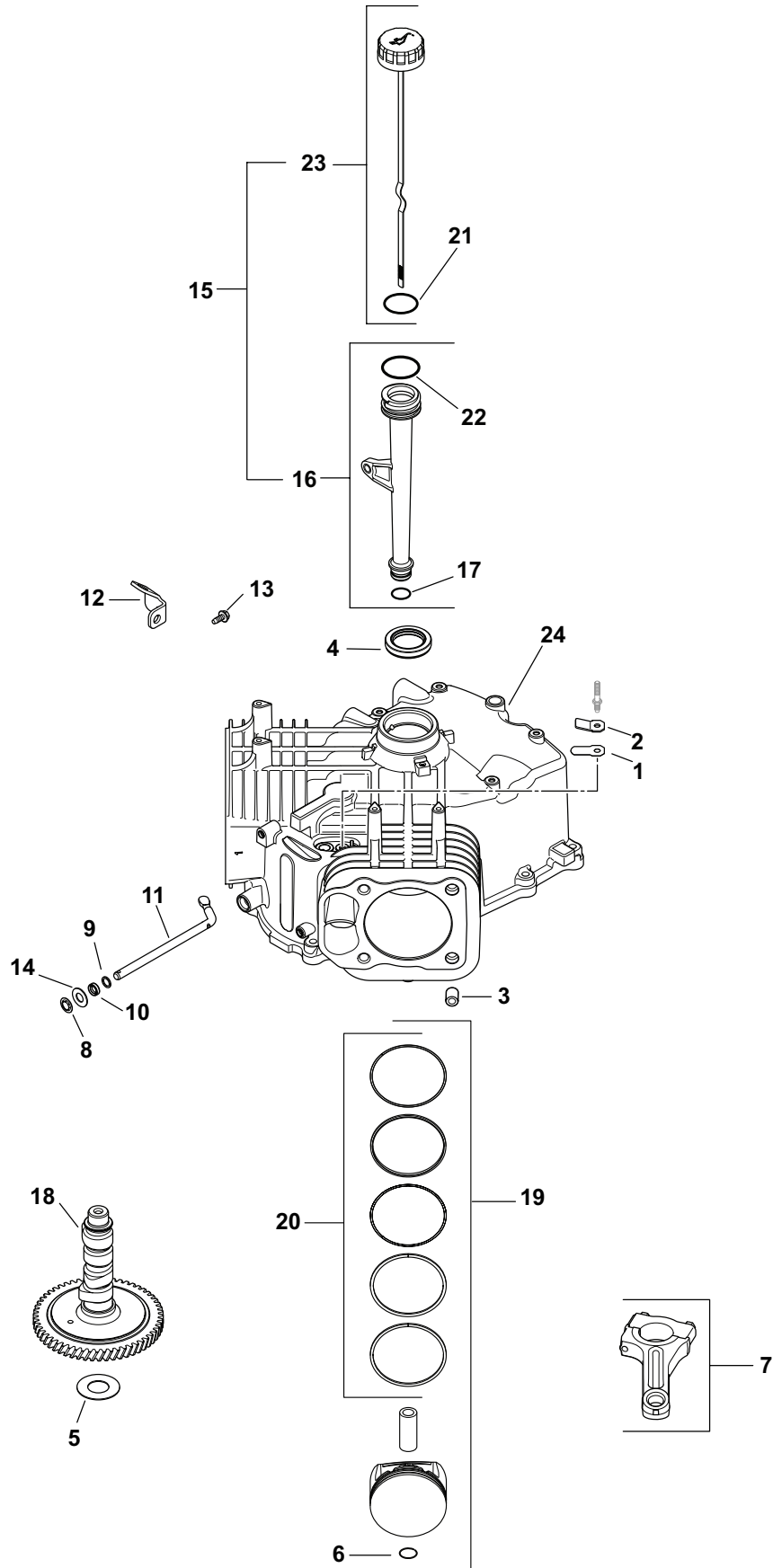
56070



Ref.	Part Number	Description
56070	KM-56070-7001	Warning Label

Page Left Blank Intentionally

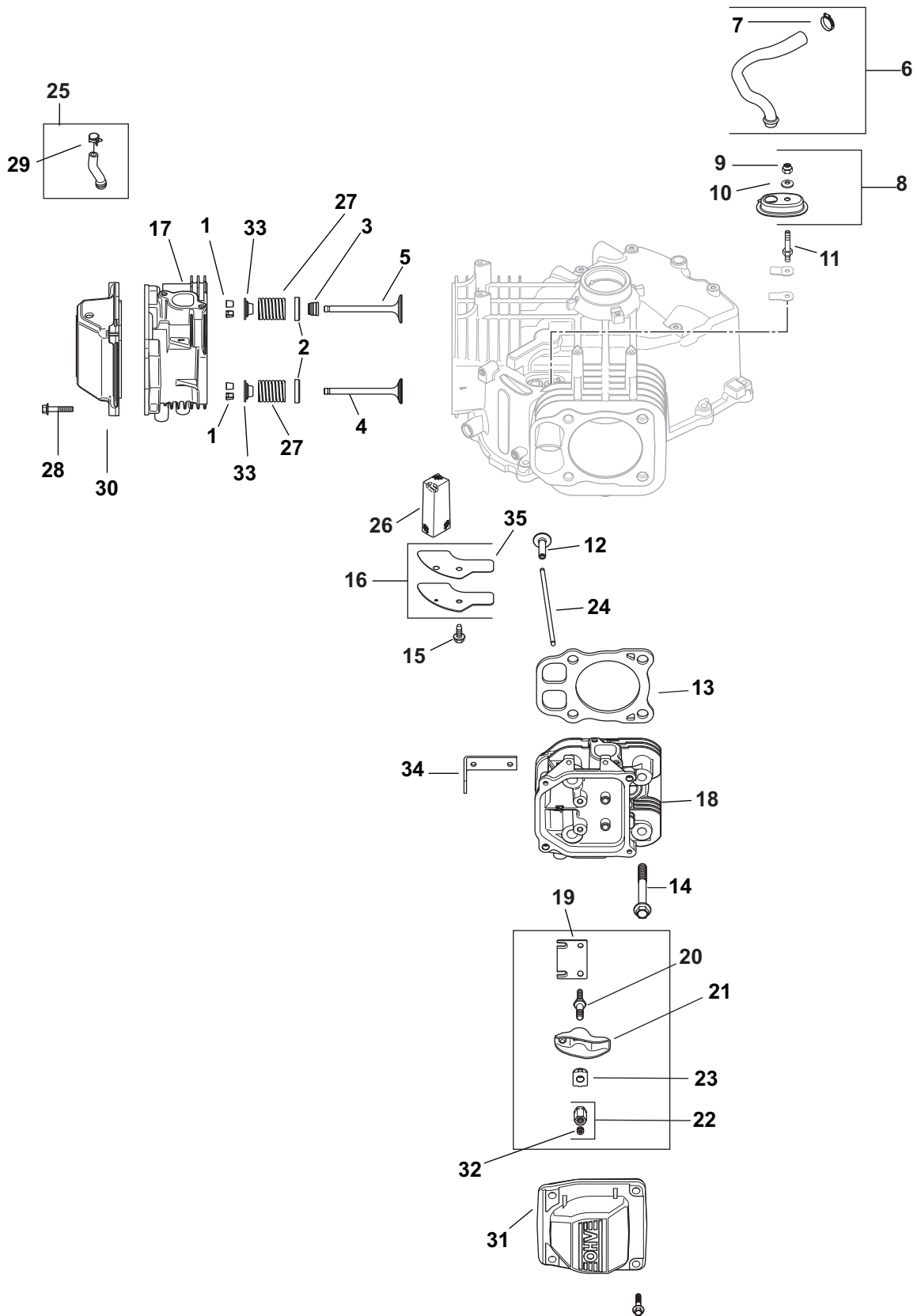
Kohler SV710-0033 Crankcase



Kohler SV710-0033 Crankcase

Ref.	Part Number	Description
1	KH-12-402-02	Breather Reed
2	KH-24-018-04-S	Breather Reed Retainer
3	KH-24-380-16-S	Locating Pin
4	KH-24-032-19-S	Oil Seal, 1.78 x 1.26
5	KH-12-422-07-S	Camshaft Shim (White, .028)
—	KH-12-422-08-S	Camshaft Shim (Blue, .03)
—	KH-12-422-09-S	Camshaft Shim (Red, .032)
—	KH-12-422-10-S	Camshaft Shim (Yellow, .034)
—	KH-12-422-11-S	Camshaft Shim (Green, .036)
—	KH-12-422-12-S	Camshaft Shim (Gray, .038)
—	KH-12-422-13-S	Camshaft Shim (Black, .04)
6	KH-24-018-01-S	Piston Pin Retainer
7	KH-24-067-28-S	Connecting Rod (STD)
8	KH-24-018-09-S	Ring Retainer
9	KH-24-468-15-S	Flat Washer, 1 ¹ / ₃₂
10	KH-28-032-09-S	Governor Cross Shaft Seal
11	KH-24-144-38-S	Governor Cross Shaft
12	KH-24-126-19	Oil Fill Tube Bracket
13	KH-M-545013-S	Flange Screw, M5 x .8 x 13
14	KH-M-931010-S	Flat Washer, 9mm
15	KH-32-755-04-S	Dipstick & Tube Kit
16	KH-32-755-04-S	Tube Assembly
17	KH-12-153-01-S	Lower Oil Fill Tube O-Ring
18	KH-32-012-01-S	Camshaft Assembly
19	KH-25-874-01-S	Piston W/ Ring Kit (STD)
—	KH-25-874-02-S	Piston W/ Ring Kit (0.08)
—	KH-25-874-03-S	Piston W/ Ring Kit (0.25)
20	KH-24-108-14-S	Ring Set (STD)
—	KH-24-108-15-S	Ring Set (0.08)
—	KH-24-108-16-S	Ring Set (0.25)
21	KH-25-153-02-S	O-Ring Dipstick
22	KH-12-153-02-S	O-Ring Upper Oil Fill Tube
23	KH-24-038-04-S	Dipstick Assembly
24	N/A	Crankcase (Use Short Block)

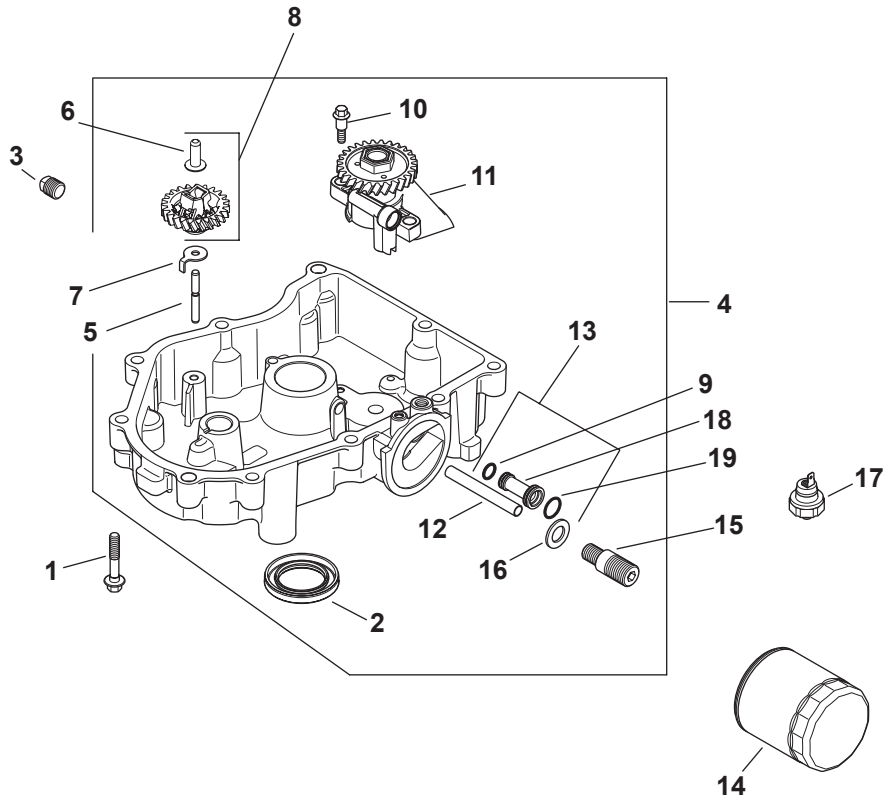
Kohler SV710-0033 Head/Valve/Breather



Kohler SV710-0033 Head/Valve/Breather

Ref.	Part Number	Description
1	KH-12-755-03	Retainer Kit
2	KH-235011-S	Spring Retainer
3	KH-66-032-05-S	Valve Stem Seal
4	KH-24-016-01	Exhaust Valve (STD)
5	KH-24-017-01	Intake Valve (STD)
6	KH-32-326-06-S	Breather Hose Kit (Inc. #7)
7	KH-25-237-31-S	Hose Clamp, ½
8	KH-32-081-02-S	Housing Breather Kit (Inc. #9 & 10)
9	KH-M-547050-S	Lock Nut, M5 x 8
10	KH-32-468-01-S	Sealing Washer
11	KH-32-072-03-S	Breather Cover Stud
12	KH-32-019-02-S	Tappet
13	KH-32-841-01-S	Cylinder Head Gasket Kit
14	KH-62-086-08-S	Flange Screw, M10 x 1.5 x 90
15	KH-M-645016-S	Flange Screw, M6 x 1.0 x 16
16	KH-32-096-04-S	Breather Cover
17	KH-32-318-13-S	Cylinder Head Assembly Kit, #1 (Inc. Exhaust Mounting Hardware)
18	KH-32-318-14-S	Cylinder Head Assembly Kit, #2 (Inc. Exhaust Mounting Hardware)
19	KH-32-146-09-S	Guide Plate
20	KH-32-072-04-S	Rocker Stud
21	KH-32-186-03-S	Rocker Arm
22	KH-32-100-05-S	Hex Nut Assembly (Inc. #32)
23	KH-25-599-01-S	Rocker Arm Pivot
24	KH-32-411-04-S	Push Rod
25	KH-32-326-07-S	Fuel Pump Hose Kit (Inc. #29)
26	KH-32-050-05-S	Breather Filter
27	KH-32-089-05-S	Valve Spring
28	KH-25-086-374-S	Pan Head Screw
29	KH-25-237-01-S	Hose Clamp
30	KH-25-096-10-S	Rocker Cover
31	KH-25-096-09-S	Rocker Cover
32	KH-25-086-168-S	Set Screw
33	KH-25-173-28-S	Valve Spring Cap
34	KH-25-445-03-S	Lifting Strap
35	KH-32-041-01-S	Breather Cover Gasket
NS	KH-32-755-03-S	Cylinder Head Hardware Kit
NS	KH-24-041-49-S	Exhaust Gasket
NS	KH-24-153-27-S	O-Ring Intake Port

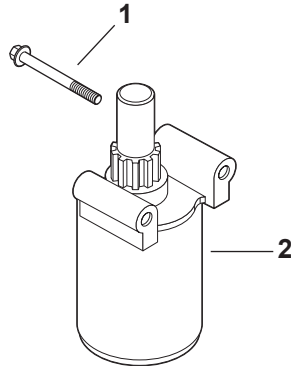
Kohler SV710-0033 Oil Pan/Lubrication



Ref.	Part Number	Description
1	KH-24-086-17-S	Flange Screw, M8 x 1.25 x 45
2	KH-25-032-06-S	Oil Seal, 2.38 x 1.45
3	KH-25-139-57-S	Square Head Pipe Plug, 3/8
4	KH-32-199-14-S	Oil Pan Assembly
5	KH-12-144-02	Governor Gear Shaft
6	KH-12-380-01	Governor Regulating Pin
7	KH-24-448-02-S	Locking Tab
8	KH-32-310-02-S	Governor Gear Kit
9	KH-24-153-01	Oil Pick-Up O-Ring
10	KH-32-086-01-S	Screw

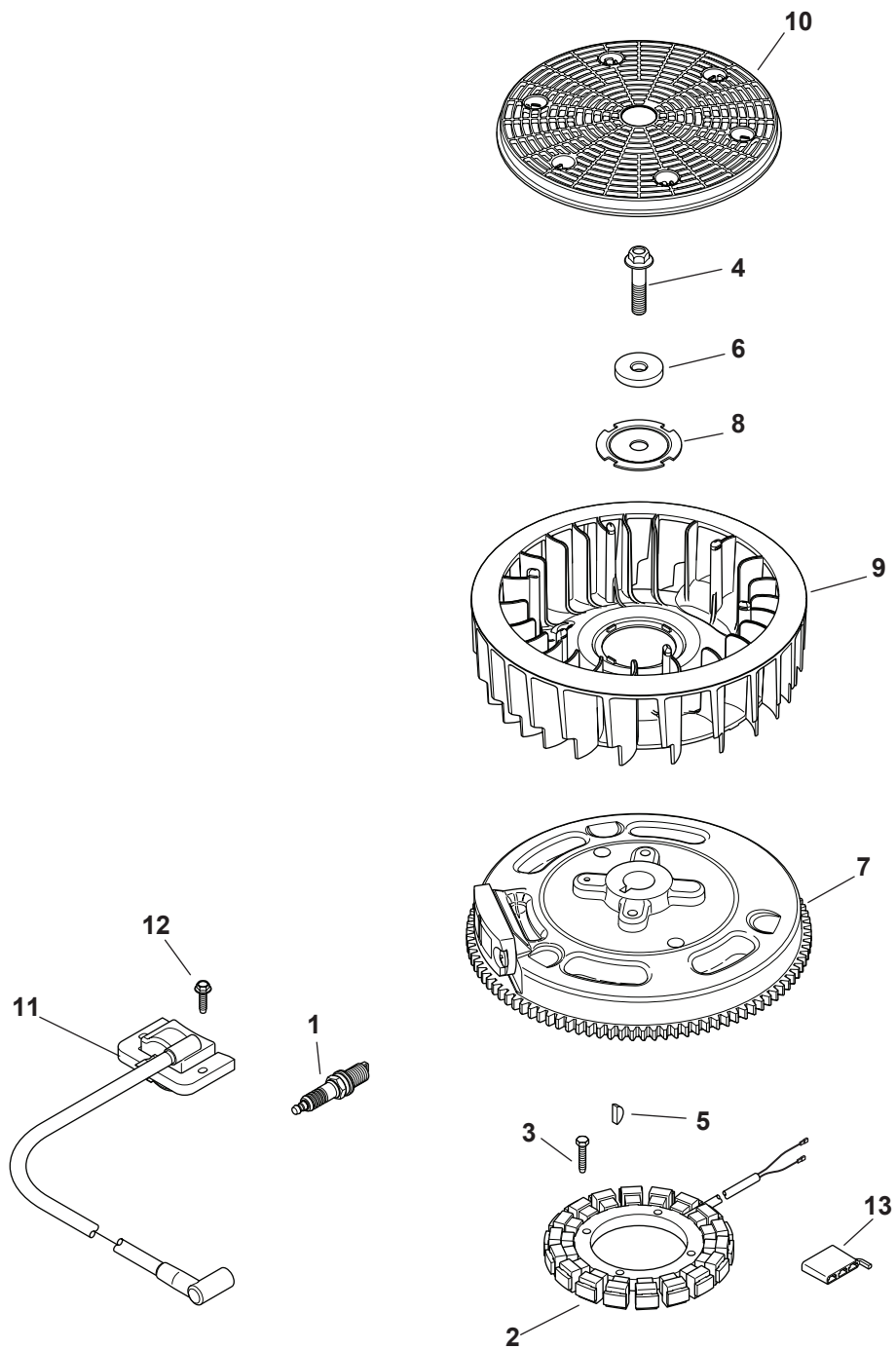
Ref.	Part Number	Description
11	KH-32-393-16-S	Oil Pump Assembly
12	KH-32-123-01-S	Oil Feed Tube (Filter to Oil Pan)
13	KH-32-123-09-S	Oil Feed Tube Assembly
14	KH-12-050-01-S	Oil Filter
15	KH-32-136-05-S	Oil Filter Nipple
16	KH-32-468-02-S	Flat Washer
17	KH-25-099-27-S	Oil Pressure Switch
18	KH-32-123-06-S	Oil Feed Tube
19	KH-32-153-05-S	O-Ring

Kohler SV710-0033 Starting System



Ref.	Part Number	Description
1	KH-M-851080-S	Flg. Screw, M8 X 1.25 X 80
2	KH-32-098-03-S	Starter Assembly
—	KH-12-243-04-S	Brush Assembly
—	KH-12-755-39-S	Kit, Drive W/ Gear
—	KH-32-211-01-S	Thru Bolt
—	KH-32-227-01-S	End Cap

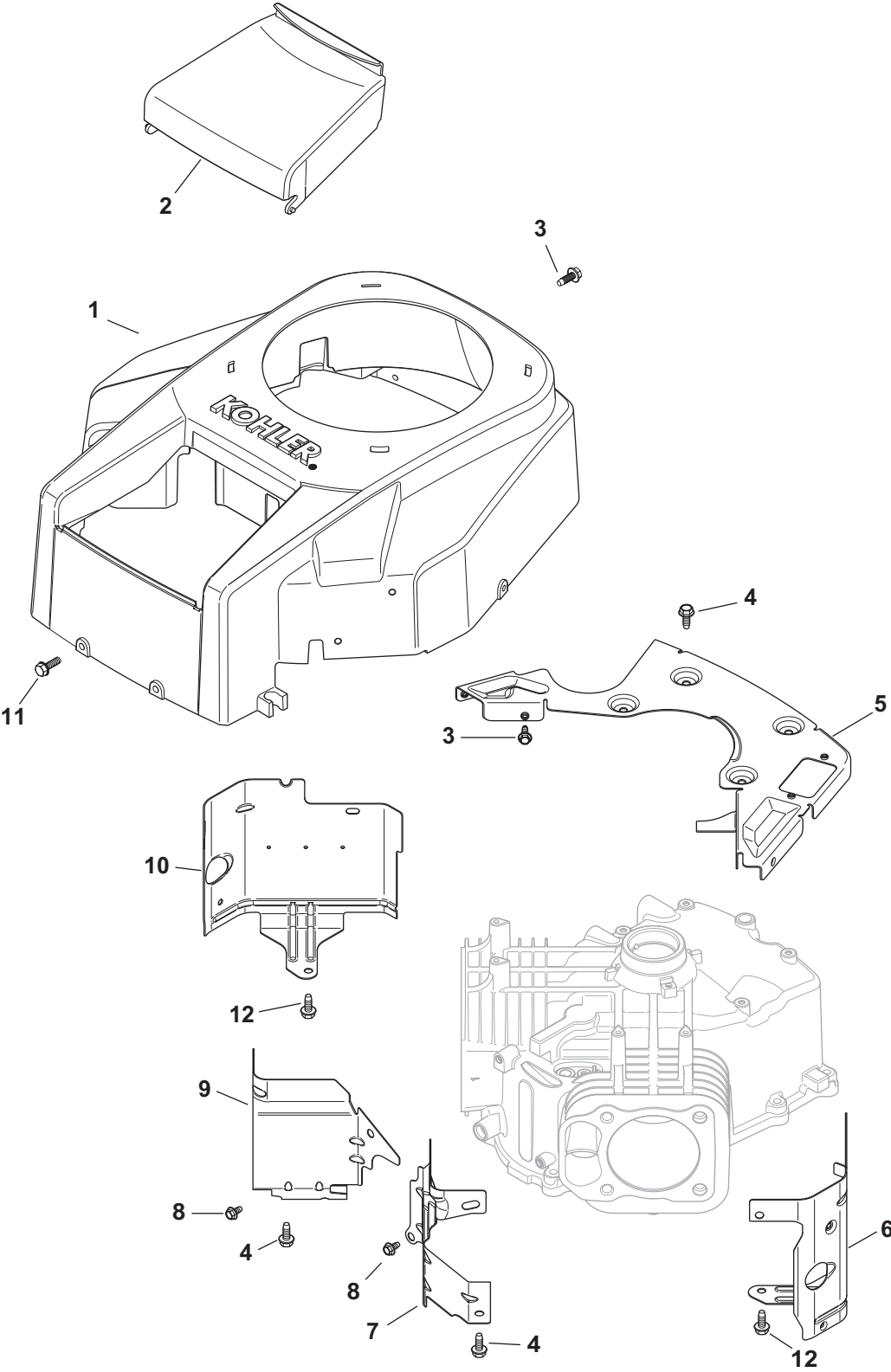
Kohler SV710-0033 Ignition/Electrical



Kohler SV710-0033 Ignition/Electrical

Ref.	Part Number	Description
1	KH-25-132-14-S	Spark Plug
2	KH-237878	15 Amp Stator Kit
3	KH-M-548025-S	Screw, M5 x 0.8 x 25
4	KH-25-086-361-S	Hex Flange Screw
5	KH-25-340-04-S	Square Key
6	KH-12-468-03	Flat Washer
7	KH-32-025-16-S	Flywheel Assembly
8	KH-20-146-05-S	Fan Mounting Plate
9	KH-32-157-01-S	Fan
10	KH-32-162-03-S	Grass Screen
11	KH-24-584-45-S	Module Ignition Kit
12	KH-M-545020-S	Screw, M5 x .8 x 20
13	KH-25-155-41-S	Connector
N/A	KH-25-454-03-S	Wire Tie
N/A	KH-32-176-24-S	Wiring Harness
N/A	KH-25-454-05-S	Tie
N/A	KH-25-452-01-S	Terminal

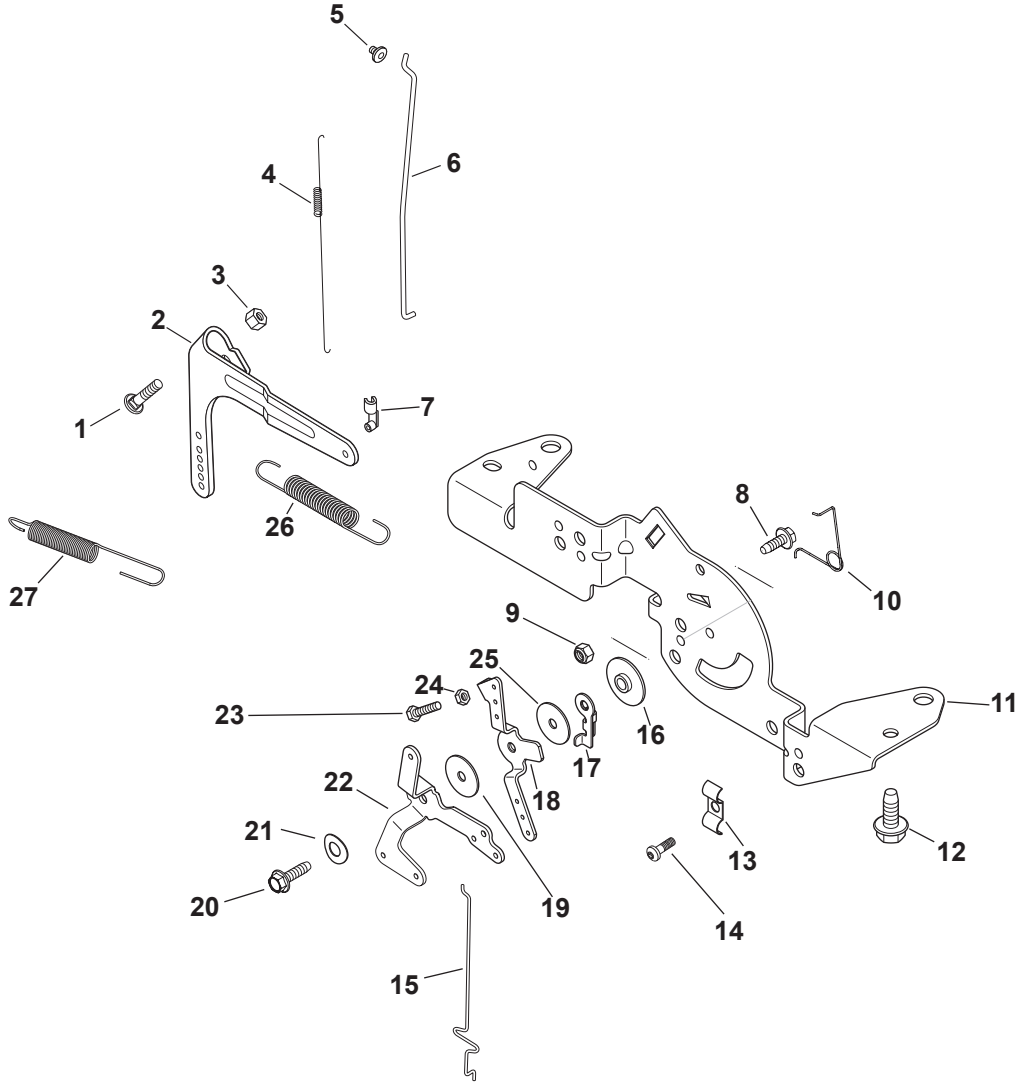
Kohler SV710-0033 Blower Housing & Baffles



Kohler SV710-0033 Blower Housing & Baffles

Ref.	Part Number	Description
1	KH-32-027-03-S	Blower Housing Kit
2	KH-32-096-08-S	Air Cleaner Cover
3	KH-M-545016-S	Flange Screw, M5 x .8 x 16
4	KH-M-645016-S	Flange Screw, M6 x 1.0 x 16
5	KH-32-146-05-S	Backing Plate Kit
6	KH-32-063-12-S	Cylinder Barrel Baffle, #2 Side
7	KH-24-063-94-S	Valley Baffle, #2 Cylinder
8	KH-M-0545010	Flange Screw, M5 x .8 x 10
9	KH-24-063-93-S	Valley Baffle, #1 Cylinder
10	KH-32-063-10-S	Cylinder Barrel Baffle, #1 Side
11	KH-24-086-12	Screw, M6 x 1.7 x 18
12	KH-25-086-158-S	Flange Screw, M6 x 1.0 x 10
NS	KH-41-037-10-S	Nameplate Service

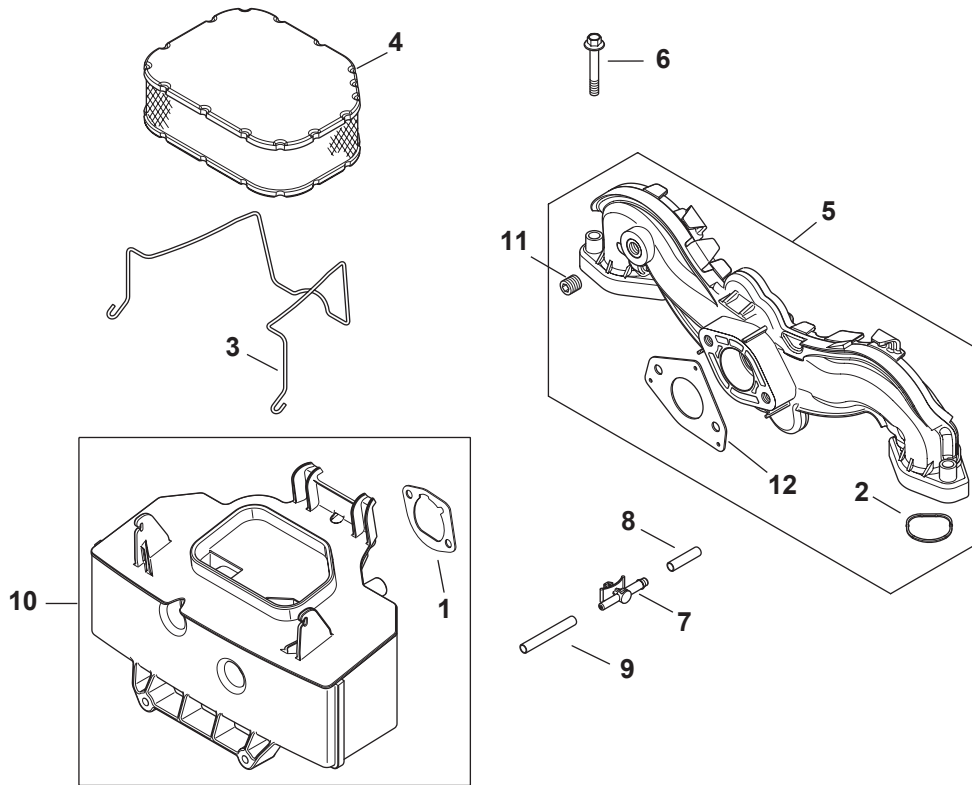
Kohler SV710-0033 Engine Controls



Kohler SV710-0033 Engine Controls

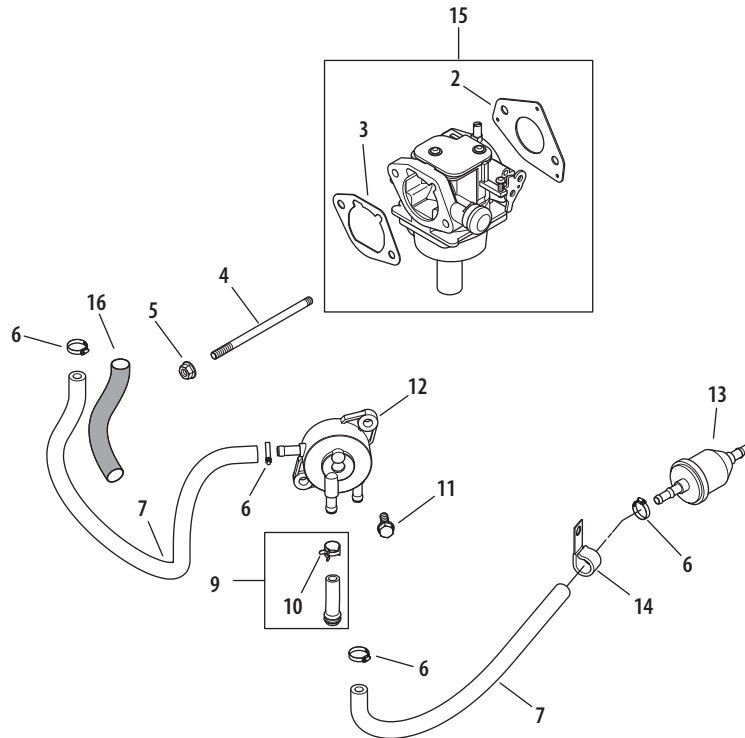
Ref.	Part-Number	Description
1	KH-24-211-03-S	Rd. Hd. Sq. Neck Bolt, M6 x 1.0 x 25
2	KH-24-090-51-S	Governor Lever
3	KH-M-641060-S	Flg. Nut, M6 x 1.0
4	KH-24-089-01	Linkage Spring
5	KH-25-158-08	Linkage Retaining Bushing
6	KH-24-079-04	Throttle Linkage
7	KH-25-158-11	Throttle Linkage Bushing
8	KH-M-545016-S	Screw, M5 x .8 x 16
9	KH-M-547050-S	Lock Nut, M5 x .8
10	KH-24-089-03	Choke Return Spring
11	KH-32-126-04-S	Control Bracket
12	KH-M-645016-S	Flg. Thd. Frm. Screw, M6 x 1.0 x 16
13	751K4723702	Dual Conduit Clamp
14	KH-24-086-43-S	Lbd. Thd. Frm. Screw, M5 x 0.8 x 16
15	KH-24-079-22-S	Choke Linkage
16	KH-24-112-27-S	Control Assembly Spacer
17	KH-24-090-47-S	Throttle Actuator Lever
18	KH-24-090-13	Throttle Control Lever
19	KH-24-468-01	Flat Washer, 5.5MM
20	KH-M-545020-S	Screw, M5 x .8 x 20
21	KH-41-468-03	Spring Washer, 1/4"
22	KH-24-090-05	Choke Lever
23	KH-M-403025	Screw, M4 x .7 x 25
24	KH-M-446030-S	Nut, M4 x .7
25	KH-24-468-20-S	Flat Washer, 5MM
26	KH-24-089-55-S	Governor Spring
27	KH-24-089-18	Governor Spring

Kohler SV710-0033 Air Intake/Filtration



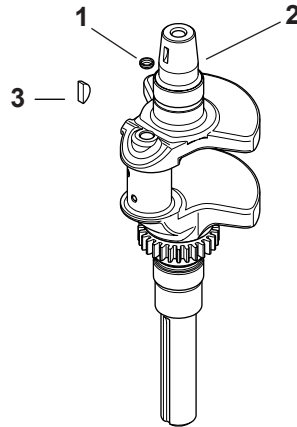
Ref.	Part Number	Description
1	KH-24-041-14	Air Cleaner Base Gasket
2	KH-24-153-27-S	Intake Port O-Ring
3	KH-32-344-02-S	Air Cleaner Element Latch
4	KH-32-883-03-S1	Air Filter Element
5	KH-24-164-91-S	Intake Manifold Kit
6	KH-M-651040-S	Flange Screw, M6 x 1.0 x 40
7	KH-25-155-51-S	Evaporative Connector
8	KH-25-173-33-S	Evaporative Mask
9	KH-25-326-08-S	Evaporative Hose, 20"
10	KH-32-094-08-S	Air Cleaner Base
11	KH-25-139-60-S	Pipe Plug, 1/8
12	KH-24-041-52-S	Carburetor Gasket

Kohler SV710-0033 Fuel System

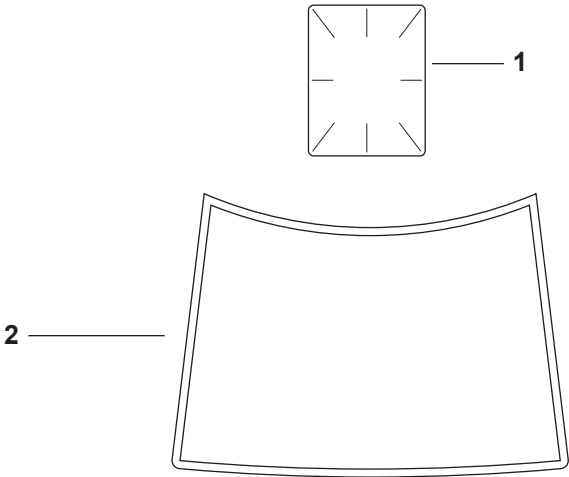


Ref.	Part Number	Description
2	KH-24-041-52-S	Carburetor Gasket
3	KH-24-041-14	Air Cleaner Base Gasket
4	KH-M-629105-S	Stud, M6 X 1.0 X 106
5	KH-M-641060-S	Flg. Nut, M6 X 1.0
6	KH-25-237-31-S	Hose Clamp, 1/2
7	KH-25-111-72-S	Fuel Line
9	KH-32-326-07-S	Fuel Pump Hose Kit
10	KH-25-237-01-S	Hose Clamp
11	KH-24-086-12	Tap Screw, M6 X 1.7 X 18
12	KH-24-393-16	Fuel Pump
13	KH-25-050-22-S1	Fuel Filter
14	KH-47-154-01-S	Cable Clip
15	KH-32-853-11-S	Carburetor Kit (Inc. 2 & 3)
16	KH-25-431-12-S	Sleeve
NS	KH-24-086-05	Screw, Throttle Stop

Kohler SV710-0033 Crankshaft



Ref.	Part Number	Description
1	KH-52-139-09-S	Cup Plug
2	KH-32-014-303-S	Crankshaft
3	KH-X-43-1-S	Key, 1/8" x 1/2"



Artwork is representative.
Actual labels may differ depending on model and specification number.

Ref.	Part Number	Description
1	KH-25-113-39-S	Clear Laminate Decal
2	KH-32-113-06-S	Decal, 20HP



To order replacement parts, call a Customer Support Representative at (800) 965-4CUB.
Locate your nearest Cub Cadet dealer at (877) 282-8684
or visit www.cubcadet.com to find the nearest Cub Cadet dealer in your area.

CUB CADET LLC, P.O. BOX 361131 CLEVELAND, OHIO 44136-0019

Free Manuals Download Website

<http://myh66.com>

<http://usermanuals.us>

<http://www.somanuals.com>

<http://www.4manuals.cc>

<http://www.manual-lib.com>

<http://www.404manual.com>

<http://www.luxmanual.com>

<http://aubethermostatmanual.com>

Golf course search by state

<http://golfingnear.com>

Email search by domain

<http://emailbydomain.com>

Auto manuals search

<http://auto.somanuals.com>

TV manuals search

<http://tv.somanuals.com>