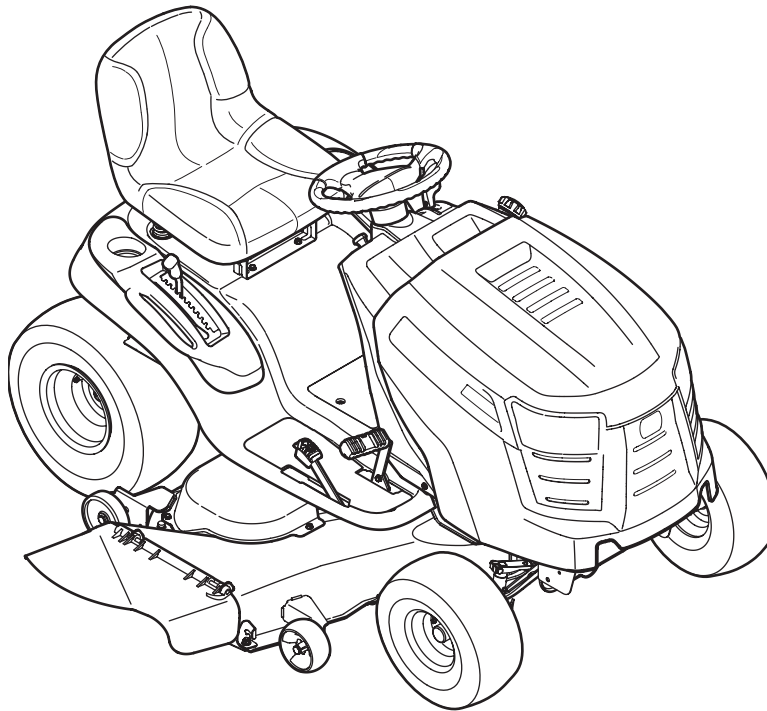

Cub Cadet[®]

ILLUSTRATED PARTS MANUAL



Hydrostatic Lawn Tractor — LTX1050/KW

CUB CADET LLC, P.O. BOX 361131 CLEVELAND, OHIO 44136-0019

Printed In USA

Form No. 769-07529
October 18, 2011

To The Owner

Thank you for purchasing an Cub Cadet Lawn Tractor. It was carefully engineered to provide excellent performance when properly operated and maintained.

All information in this manual is relative to the most recent product information available at the time of printing. Please be aware that this Illustrated Part's Manual may cover a range of product specifications for various models.

Components listed and/or illustrated in this manual may not be applicable to all models. We reserve the right to change product specifications, designs and equipment without notice and without incurring obligation.

Throughout this manual, all references to *right* (RH) and *left* (LH) are observed from the operating position.

Table of Contents

Axle, Front	4	Hood	10
Battery	6	Deck Lift Handle/Linkage	8
Head Lamps	10	Labels	26-27
Mower Deck, 50-inch	16	Meter, Systems Indicator	10
Pedal Controls	12/14	Muffler	25
Dash Panel	10	PTO	6
Drive System (Hydro-Gear)	12	Seat	8
Drive System (Tuff-Torq)	14	Solenoid	6
Electrical Schematic	28	Steering	4
Engine Accessories	25	Switches, Interlock	6
Engine, Kawasaki FR691-AS17	44-56	Throttle Control	10
Engine, Kohler SV725-3021	30-43	Transmission, Hydrostatic (Hydro-Gear)	18
Fender	8	Transmission, Hydrostatic (Tuff-Torq)	22
Frame	6	Wheels, Front & Rear	3
Fuel Tank	10		

Record Product Information

To ease in ordering replacement parts, please locate the model plate on the equipment and record the information in the provided area to the right. You can locate the model plate by looking beneath the seat.

MODEL NUMBER

--	--	--	--	--	--	--	--	--	--	--

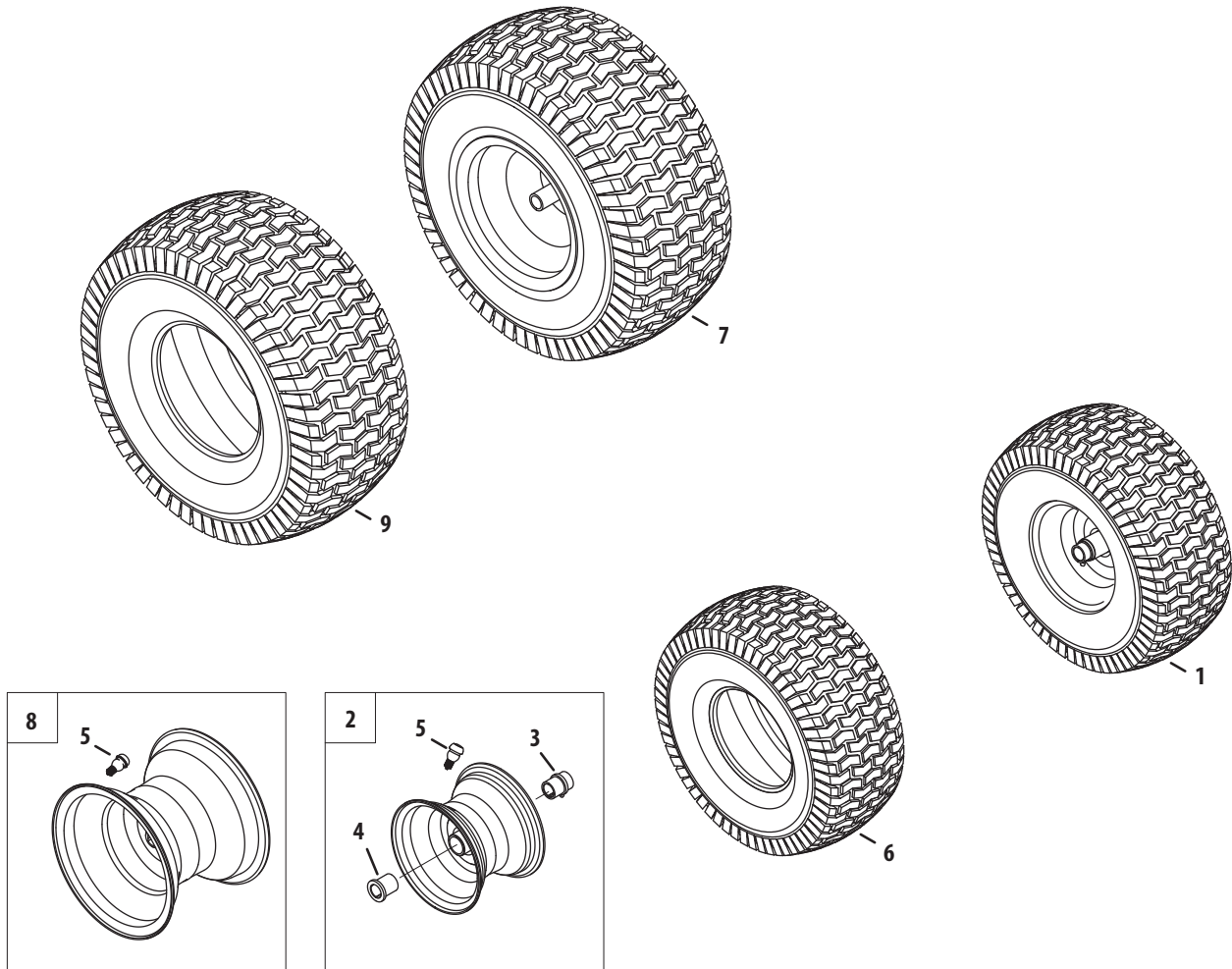
SERIAL NUMBER

--	--	--	--	--	--	--	--	--	--	--

Painted Parts

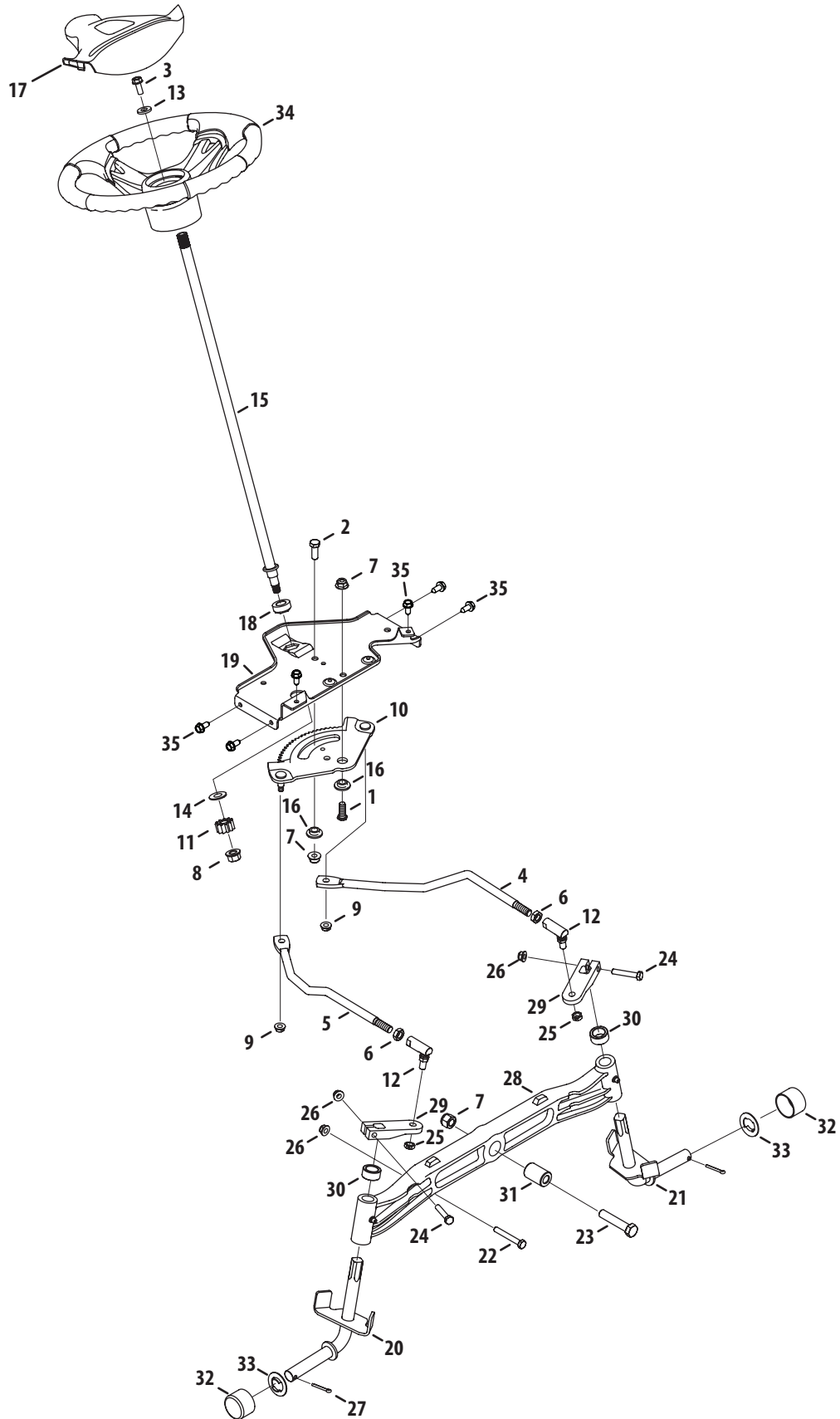
When ordering painted service parts, a four digit color suffix must be added to the part number (e.g. 783-XXXXX-0637). Please refer to the table below for current color codes:

0637	Black	0685	Blue (Cub Cadet)
4021	Yellow (Cub Cadet)	0691	Black Jack (Cub Cadet Commercial)
0499	Beige (Cub Cadet)		



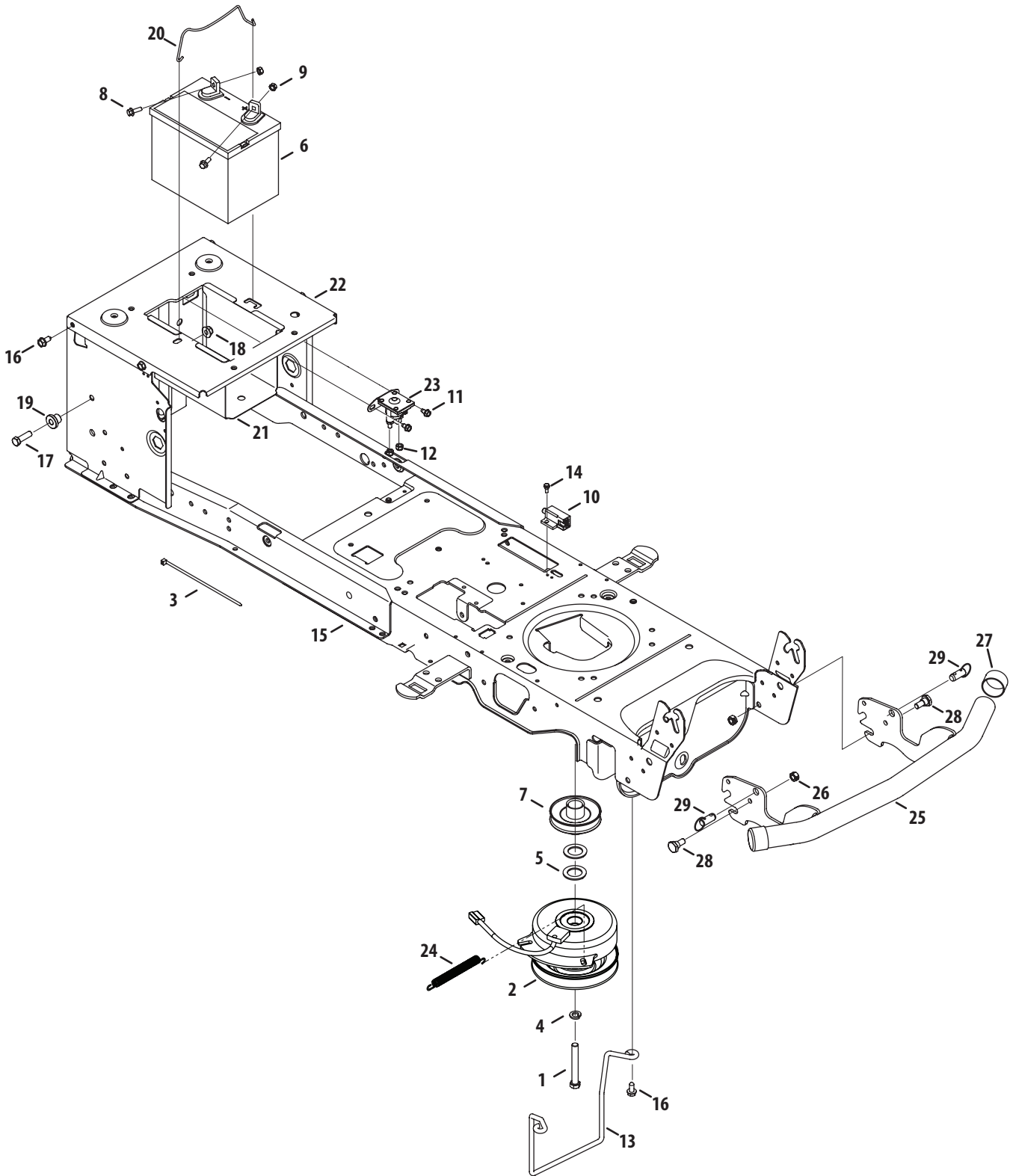
Ref.	Part Number	Description
1.	—	Wheel Ass'y, Complete, 15 x 6 x 6
2.	634-04405-0499	Rim Ass'y, 6.0 x 4.5, Plastic Bearings
3.	741-0990B	Bearing, Flange, .760 ID w/ Fitting
4.	741-0516B	Bearing, Flange, .760 x 1.00 x 1.20
5.	934-0255	Valve, Tubeless Air
6.	734-1731-0901	Tire, 15 x 6 x 6 Sq Shoulder
7.	634-0104-0931	Wheel, Complete, 20 x 8 x 8
8.	634-04369-0499	Rim Ass'y, 8.0 x 7.0 x .750 ID
9.	734-1730-0901	Tire, 20 x 8 x 8 Sq Shoulder

Steering



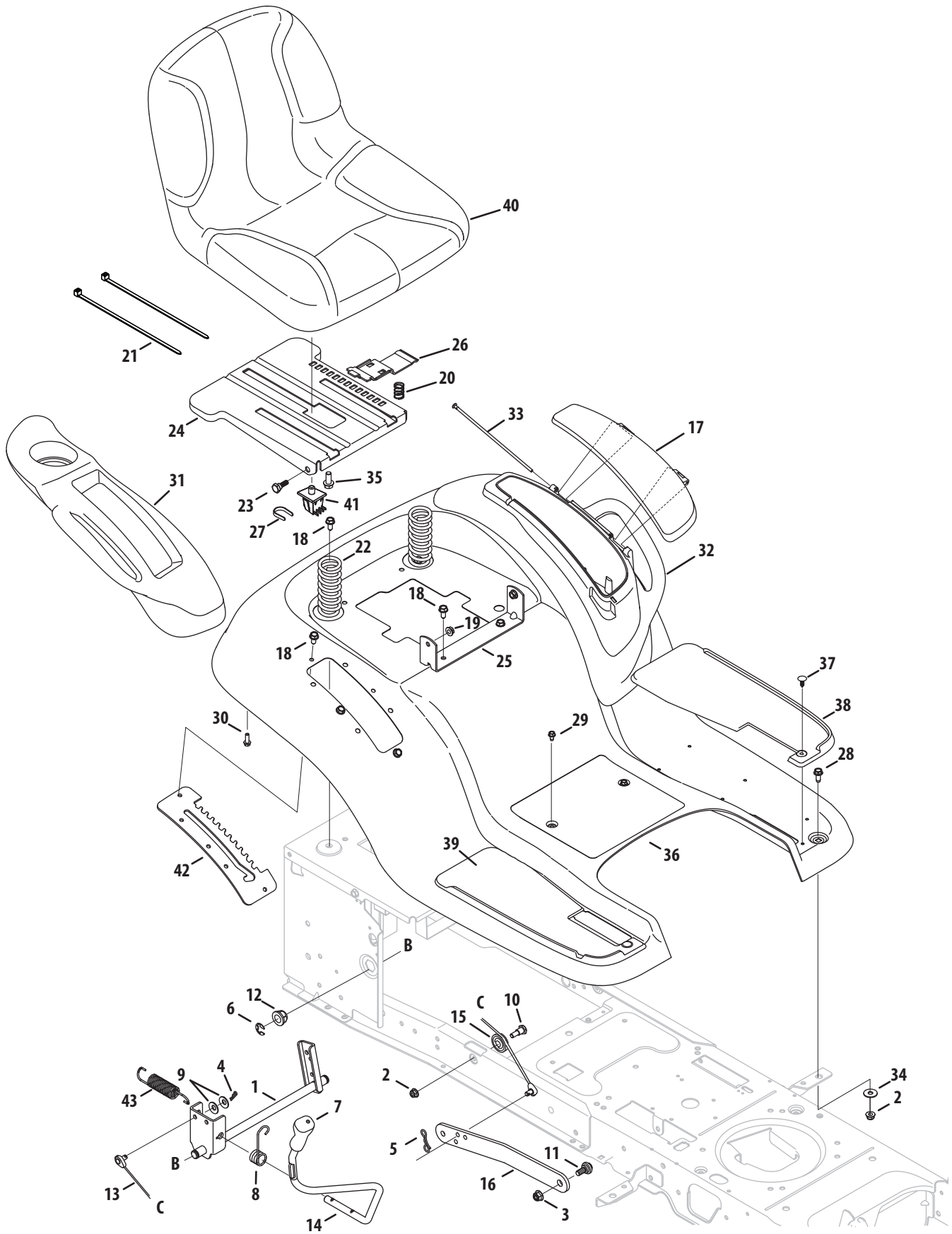
Ref.	Part Number	Description
1.	710-04095	Hex Screw, 3/8-16, 1.00, Gr5, Spec
2.	710-0514	Hex Screw, 3/8-16, 1.00, Gr5, Std
3.	710-0650	Hex Screw, 5/16-18, .875, Gr5, Lock
4.	711-04998	Link, Drag LH
5.	711-04999	Link, Drag RH
6.	912-0240	Nut, Jam, 7/16-20, Gr2
7.	712-04065	Nut, Flange Lock, 3/8-16, Grf,
8.	712-0459	Nut, Flange Lock, 7/16-20, Grb, Lock
9.	712-3004A	Nut, Flange Lock, 5/16-18, Gr5, Sd Lk
10.	717-1550F	Gear, Steering, 11/90 Ratio
11.	717-1554	Gear, Pinion, Steering
12.	923-0448A	Ball Joint, 7/16-20, Lock
13.	936-3004	Washer, Flat, .406 x .875 x .105
14.	736-3084	Washer, Flat, .51 x 1.12 x .06
15.	738-04262	Shaft, Steering, .625 OD x 25, Cub
16.	738-04363	Spacer, Shoulder, .385x 1.25 x .3025
17.	731-04532B	Cover, Steering Wheel, Cub Cadet
18.	741-04237B	Bearing, Flange, Hex 5/8 Pm
19.	783-06043	Bracket, Support, Steering
20.	638-04022	Axle Ass'y, RH .750 Dia.
21.	638-04028	Axle Ass'y, LH .750 Dia.
22.	710-0395	Hex Screw, 5/16-18, 2.25, Gr5, Std
23.	710-0859	Hex Screw, 3/8-16, 2.50, Gr5, Std
24.	710-3180	Hex Screw, 5/16-18, 1.75, Gr5, Std
25.	912-0214	Nut, Hex Lock, 3/8-24, Grb
26.	712-04063	Nut, Flange Lock, 5/16-18, Grf
27.	714-0162	Pin, Cotter, 5/32, 1.25
28.	719-04413A	Axle, Pivot Bar, Cast
29.	748-04065	Steering, Block
30.	748-04068	Spacer, .71 ID x .125 OD x .56
31.	750-05280	Spacer, .385 x 1.00 x 1.5075
32.	731-08049	Cap, Bumper
33.	736-04228A	Washer, Flat, .350 x 1.559 x .062
34.	631-04008A	Wheel, Steering, 3 Spoke, Softgrip
35.	710-04484	Screw, Self-tapping, 5/16-18, .750,

Frame, Electrical and PTO



Ref.	Part Number	Description
1.	710-04379A	Hex Screw, 7/16-20, 3.50, Gr5, Lock
2.	917-04174A	Clutch, Electric PTO
3.	725-0157	Cable, Tie, 3/16 X .05 X 7.4
4.	936-0171	Washer, Lock, 7/16 , Regular Duty
5.	736-0277	Washer, Flat, 1.031 X1.620 X.095
6.	925-1707D	Battery
7.	756-0978B	Engine Pulley, Electric PTO
8.	710-04666	Hex Flange Screw, 1/4-20, .75, Gr5
9.	712-0271	Nut, Sems, 1/4-20
10.	725-04363	Switch, Interlock
11.	710-0653	Screw, Self-tapping, 1/4-20, 0.375
12.	712-04064	Nut, Flange Lock, 1/4-20, Nylon
13.	747-05171A	Rod, Keeper (46")
	747-05195	Rod, Keeper (50")
14.	738-04237A	Screw, Shoulder, #10-32, .50
15.	683-04469B	Frame Assembly, Lower
16.	710-04484	Screw, Self-tapping, 5/16-18, .750
17.	710-05097	Hex Screw, 3/8-16, 1.50, Gr2
18.	712-04065	Nut, Flange Lock, 3/8-16, Nylon
19.	738-04058	Spacer, Shoulder, .38 X 1.0 X .70
20.	747-04121A	Rod, Battery
21.	783-0349	Tray, Battery
22.	783-06089	Bracket, Frame, Seat
23.	725-04439	Solenoid, 12V, 100 Amp, 4 term
24.	732-0814	Spr, Extn, .56 Dia X 5.52
25.	683-04219B	Bumper Assembly, Universal
26.	912-3000	Nut, Hex Lock, 3/8-16, GrB
27.	731-05674	Cap, Bumper
28.	738-0143	Bolt, Shoulder, .496 x .336, 3/8-16
29.	714-04061	Pin, Quick Release, 1/2 Dia x .50
—	925-04093	Harness Assembly, Main

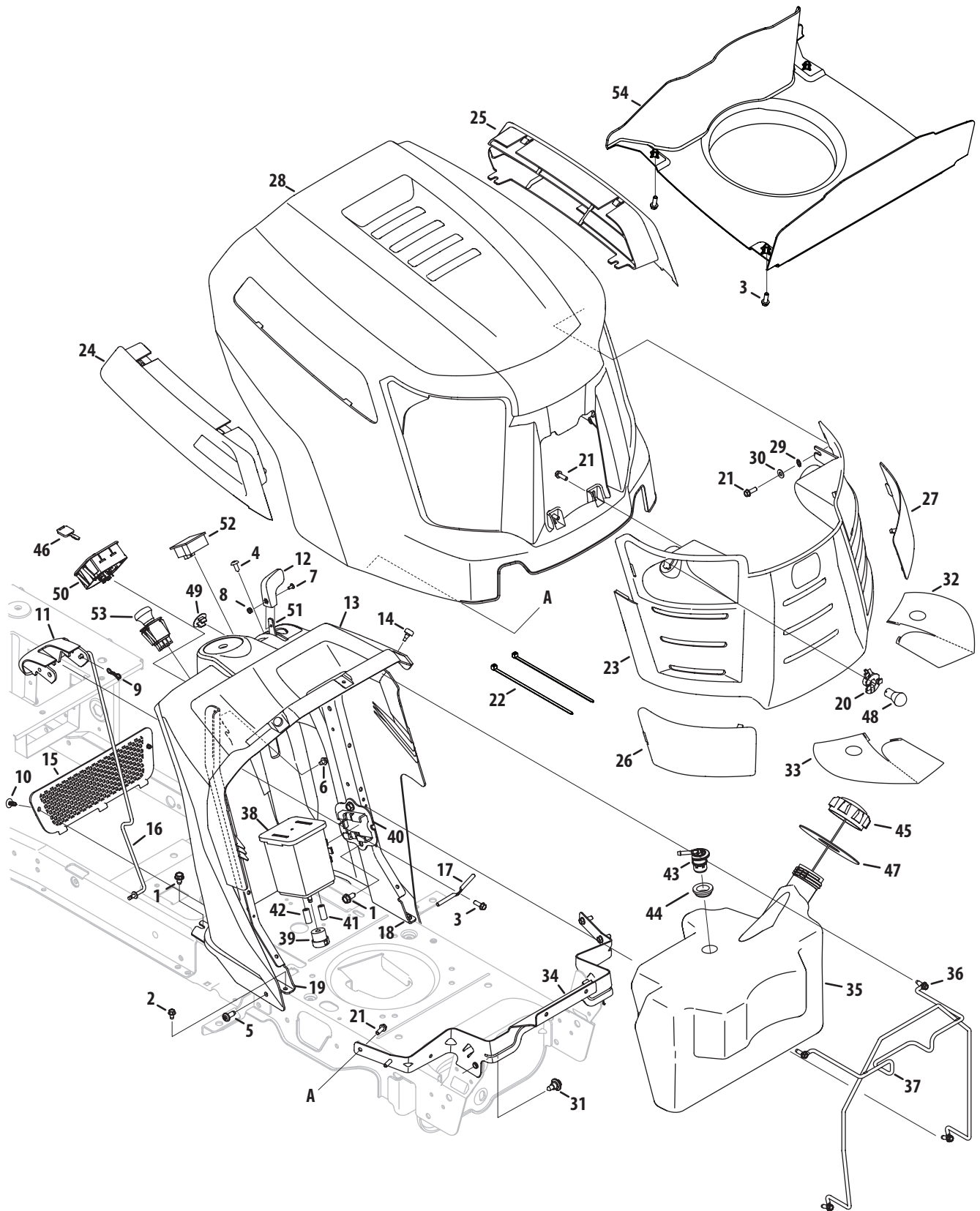
Seat, Fender and Lift



Seat, Fender and Lift

Ref.	Part Number	Description	Ref.	Part Number	Description
1.	683-04223	Shaft Ass'y, Lift	23.	938-0296	Screw, Shoulder, .437 x .268, 5/16-18
2.	712-04063	Nut, Flange Lock, 5/16-18, Grf	24.	783-06049	Bracket, Mounting, Seat
3.	712-04065	Nut, Flange Lock, 3/8-16, Grf	25.	783-06088	Bracket, Pivot, Seat
4.	914-0104	Pin, Cotter, .072 Dia. x 1.13	26.	783-06050	Lever, Seat Adjustment
5.	714-04040	Pin, Cotter, Bow-Tie 72	27.	783-06448	Clip, Retaining, Switch
6.	716-0106A	Ring, E Type, .625 Dia. Shaft	28.	710-1260A	Hex Screw, 5/16-18, .75, Gr5, Std
7.	720-04139B	Grip, Handle, Cub, .50 ID	29.	710-0599	Screw, Self-tapping, 1/4-20, 0.500,
8.	732-0874	Spring, Torsion	30.	710-0895	Screw, HL, 1/4-15, 0.750,
9.	736-0105	Washer, Spring, .401 x .870 x .063	31.	731-06700	Cover, Fender, RH
10.	738-0138A	Screw, Shoulder, .437 x .470, 5/16-18	32.	731-06676	Cover, Fender, LH
11.	938-0380	Bolt, Shoulder, .50, 3/8-16	33.	747-05039	Pin, Door
12.	941-0225	Bearing, Hex Flange	34.	736-3078	Washer, Flat .344 x 1.00 x .063
13.	746-0968	Cable, Lift, 16.16	35.	710-04482	Hex Flange Screw, 3/8/16, .875, Gr5
14.	747-04962A	Handle, Lift,	36.	783-06118	Fender, Cub Hydro
15.	756-04331	Pulley, Roller, Cable	37.	726-3046	Clip, Ratchet, .250 Dia
16.	783-05546A	Link, Lift	38.	735-04137	Pad, Foot, LH
17.	731-06584	Door, Cover, Fender	39.	735-04139	Pad, Foot, RH
18.	710-04484	Screw, Self-tapping, 5/16-18, .750,	40.	757-04131	Seat, High Back Cloth, Cub
19.	712-3004A	Nut, Flange Lock, 5/16-18, Gr5, Sd Lk	41.	925-05013	Switch, Seat
20.	732-04563	Spring, Compr', .68 x 1.065 x .055	42.	783-06181	Bracket, Lift
21.	725-0157	Cable, Tie, 3/16 x .05 x 7.4	43.	732-0934	Spring, Extension, 1.15 OD x 5.99
22.	732-04849	Spring, Compr, 1.50 x 3.90 x .200			

Fuel Tank, Hood and Dash

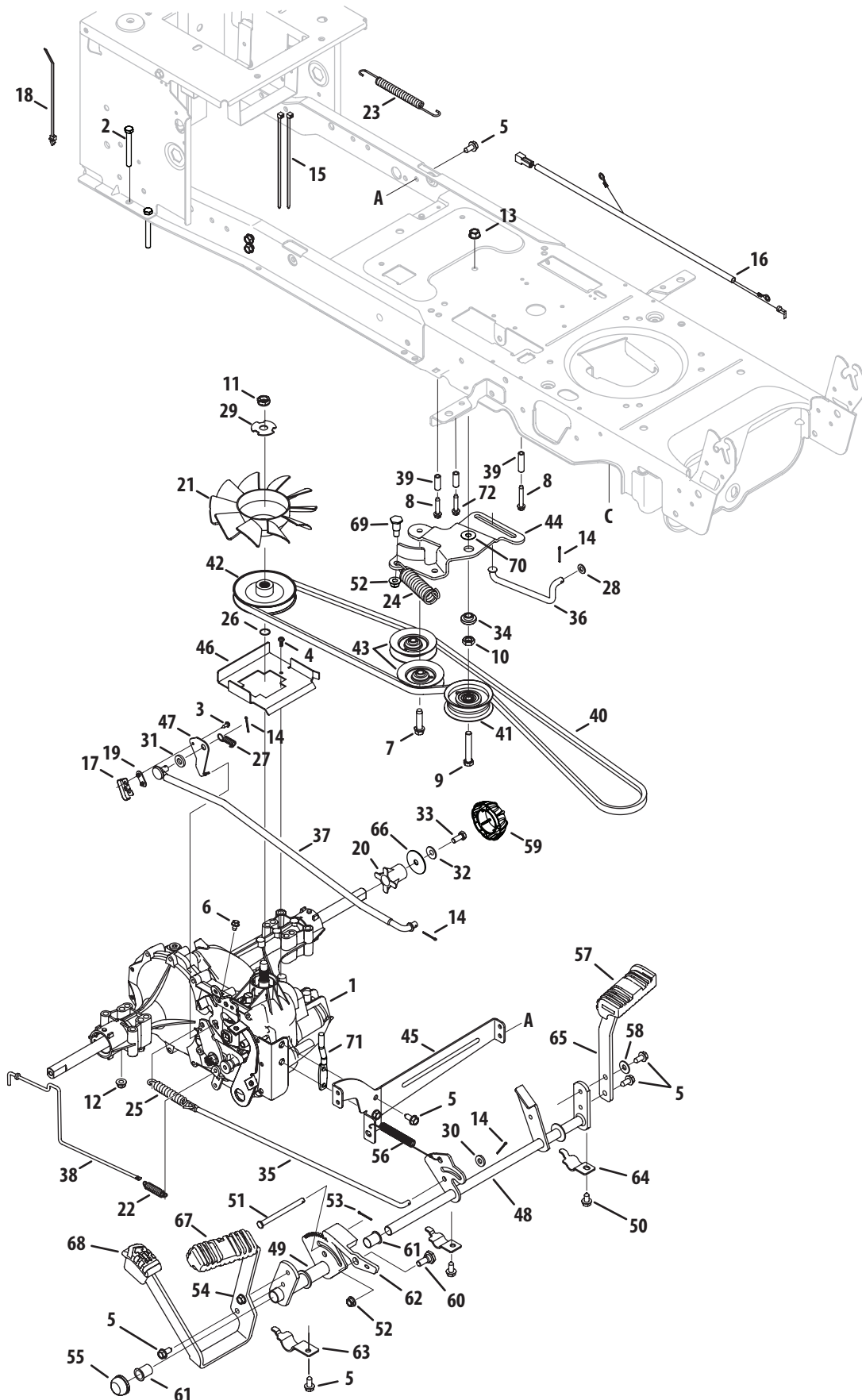


Fuel Tank, Hood and Dash

Ref.	Part Number	Description	Ref.	Part Number	Description
1.	710-04484	Screw, Self-tapping, 5/16-18, .750	30.	936-3020	Washer, Flat, .271, .630, .065
2.	710-0599	Screw, Self-tapping, 1/4-20, 0.500	31.	738-04091A	Screw, Shoulder, .43x.29, 5/16-18
3.	710-0895	Screw, HL, 1/4-15, 0.750	32.	777X44055	Reflector, Cub A Style, LH
4.	710-1017	Screw, Ab, 1/4-14, 0.625,	33.	777X44056	Reflector, Cub A Style, RH
5.	710-1611B	Screw, Self-tapping, 5/16-18, 0.750,	34.	783-06114	Bracket, Pivot, Hood A-Style
6.	710-1652	Screw, Self-tapping, 1/4-20 x .625	35.	951-04311	Tank, Fuel, 3.30 Gal..
7.	710-3217	Screw, Mach, #8-32, 0.375	36.	710-0642	Screw, Self-tapping, 1/4-20, .75
8.	712-0142	Nut, Hex, #8-32	37.	747-05040A	Rod, Support, Fuel Tank
9.	714-04040	Pin, Cotter, Bow-Tie 72	38.	951-10589	Canister, Carbon, 5 Gallon (CA)
10.	726-3046	Clip, Ratchet, .250 Dia	39.	951-10590	Filter, Vent, Canister (CA)
11.	731-05447A	Lever, Dash, Cruise/Brake	40.	951-10610	Bracket, Adapter, Canister (CA)
12.	731-06593	Knob, Throttle	41.	751-10749-14	Hose, Fuel, Low Perm, 3/16 Wht (CA)
13.	931-06554	Dash Panel, A-Style, Elect PTO	42.	751-10750-28	Hose, Fuel, Low Perm, 7/32 Yel (CA)
14.	735-0271A	Bumper, .62 Dia X .3	43.	751-12118	Valve, Rollover Grommet
15.	735-04076	Net	44.	735-04081	Grommet, Rubber, 23.0 ID
16.	747-05009B	Rod, Control, Latch Cub	45.	951-12179A	Cap, Fuel
17.	747-1196	Rod, Lever, Bent		951-12426	Cap, Fuel Carb
18.	783-06098	Support, Dash, Plate LH	46.	925-2054A	Key, Ignition
19.	783-06099	Support, Dash, Plate RH	47.	735-04170	Gasket, Fuel Tank
20.	925-1649	Socket, Lamp	48.	925-0963	Lamp, 12v
21.	710-05108	Screw, 1/4 Dia, .750	49.	731-1999	Plug, Choke
22.	926-0154	Tie, Cable, Push Mount 7.5 Lg		746-04120†	Control, Choke, 40.5 x 2, Yellow
23.	931-04322	Grille Ass'y (Incl. 26, 27, 32 & 33)	50.	925-04227B	Module Switch, Ignition
24.	931-06542A	Scoop, Hood, RH A-Style	51.	946-04556	Cable, Throttle/Choke, 38"
25.	931-06543A	Scoop, Hood, LH A-Style		946-1100†	Cable, Throttle, 38"
26.	931-06558	Lens, Hood, RH A-Style	52.	925-04022B	Meter, Indicator
27.	931-06559	Lens, Hood, LH A-Style	53.	725-04258	Switch, Electric PTO, Yellow
28.	931-06634	Hood, A-Style	54.	731-06936†	Plenum, A-Style
29.	936-0222	Washer, Lock, 1/4, External			

† If Equipped

Drive System (Hydro-Gear)

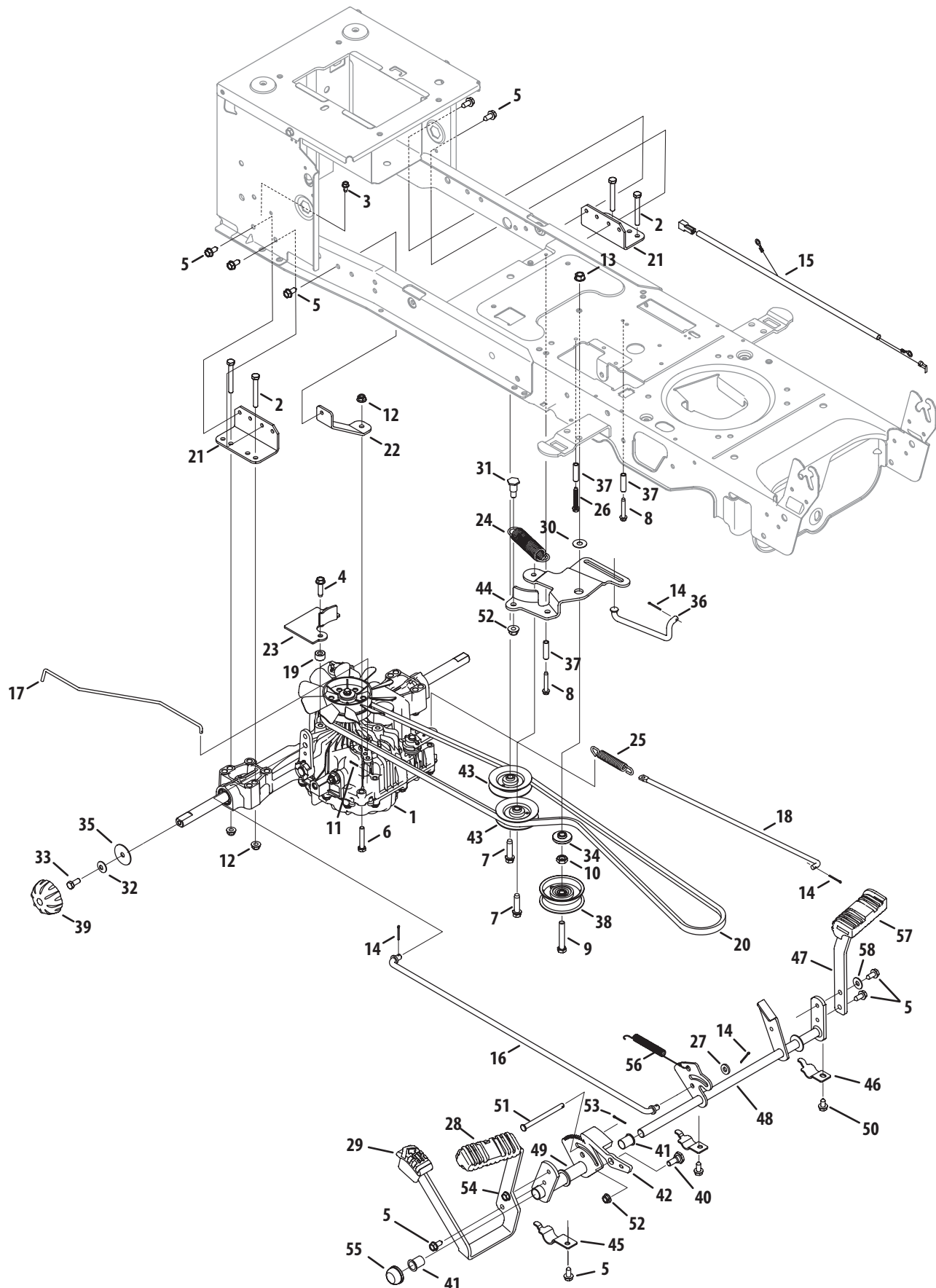


Drive System (Hydro-Gear)

Ref.	Part Number	Description
1.	918-0319	Transmission, Hydro-Gear 0510
2.	710-0176	Hex Screw, 5/16-18, 2.75, Gr5, Std
3.	710-0227	Screw, #8-18, 0.500,
4.	710-0351	Screw, #10-16, 0.500
5.	710-04484	Screw, Self-tapping, 5/16-18, .750
6.	710-0653	Screw, Self-tapping, 1/4-20, 0.375
7.	710-1007	Screw, Self-tapping, 3/8-16, 1.500
8.	710-1325	Screw, Self-tapping, 1/4-20, 1.625
9.	710-3011	Hex Screw, 3/8-16, 2.25, Gr5
10.	912-0240	Nut, Jam, 7/16-20, Gr2
11.	912-0346	Nut, Jam Lock, 1/2-20, Gr5, Nylon
12.	712-04063	Nut, Flange Lock, 5/16-18, Nylon
13.	912-0431	Nut, Flange Lock, 3/8-16
14.	914-0111	Pin, Cotter, 3/32, 1.0
15.	725-0157	Cable, Tie, 3/16 x .05 x 7.4
16.	725-04791A	Jumper Harness, Ground & Reverse
17.	725-1644	Switch, Spring, Short
18.	926-0154	Tie, Cable, Push Mount 7.5
19.	926-0320	Plate, Insulator Nut
20.	731-05299A	Sleeve, .765 Id x 1.500
21.	731-06098	Fan, Hydro
22.	932-0209	Spring, Extension, .48 Od x 2.03
23.	732-04606	Spring, Extension, .500 Dia x 12.6
24.	732-04624	Spring, Extension, 1.00 Dia x 4.75
25.	732-0716D	Spring, Extension, .59 Od x 4.00
26.	732-0729	Ring, Wire
27.	732-3118	Spring, Extension, .375 Od x 1.44
28.	936-0264	Washer, Flat, .330 x .630 x .0635
29.	736-04263	Washer, Lock, Transmission Hydro
30.	936-3008	Washer, Flat, .344 x .750 x .120
31.	736-3010	Washer, Flat, .407x.812x.135, Ht
32.	736-0242	Washer, Bell, .340 x .872 x .060
33.	710-0627	Hex Screw, 5/16-24, .750, Gr5, Lock
34.	738-04420	Spacer, Shoulder, 1.375 x .380 x .183
35.	747-04139	Rod, Brake, LT Hydro
36.	747-04957A	Rod, Transmission, Bypass

Ref.	Part Number	Description
37.	747-04979	Rod, Control, Hydro
38.	747-04991	Rod, Hydro Bypass
39.	750-04456	Spacer, .260 x .372 x 1.420
40.	954-04207	Belt, V-Type
41.	756-04224	Pulley, Idler, Flat 2.75 OD
42.	756-04308	Pulley, Input, 4.13 Dia
43.	756-04325	Pulley, Idler, V-Type x 3.06
44.	783-06027A	Bracket, Idler, Center Double
45.	783-06133	Bracket, Mount, Hydro
46.	783-06260	Bracket, Support, Belt Disengage
47.	783-1019B	Bracket, Actuator, Switch
48.	647-04152D	Control Assembly, Brake
49.	683-04537	Bracket Assembly, Pedal, Hydro
50.	710-0604A	Screw, Self-tapping, 5/16-18, 0.625,
51.	711-05068	Pin, Clevis, 5/16 x 3.985
52.	712-04065	Nut, Flange Lock, 3/8-16, Nylon
53.	714-04040	Pin, Cotter, Bow-Tie 72
54.	783-06059	Bracket, Pedal, Hydro
55.	726-0214	Cap, Push 5/8
56.	732-04587	Spring, Extension, .63 Dia x 4.95
57.	735-04136	Pad, Pedal, Brake
58.	736-0242	Washer, Bell, .340 x .872 x .060
59.	731-2290A	Cap, Hub
60.	938-0380	Bolt, Shoulder, .500 x .270, 3/8-16
61.	741-0495	Bearing, Flange, .630 x .695 x .60
62.	748-04203	Latch, Cruise
63.	783-05914	Bracket, Support, Pedal Strap
64.	783-05940	Bracket, Support, Pedal Strap 5/8
65.	783-06103A	Bracket, Pedal, Brake
66.	736-0430	Washer, Flat, .350 x 1.59 x .062
67.	735-04118A	Pad, Pedal, Forward
68.	735-04135	Pad, Pedal, Reverse
69.	738-0430	Scr, Shldr, .50 x .685 3/8-16
70.	936-0344	Washer, Flat, .385 x 1.0 x .030
71.	747-05444	Belt Keeper Rod
72.	710-1026	Screw, Self-tapping, 1/4-20 x 1.75

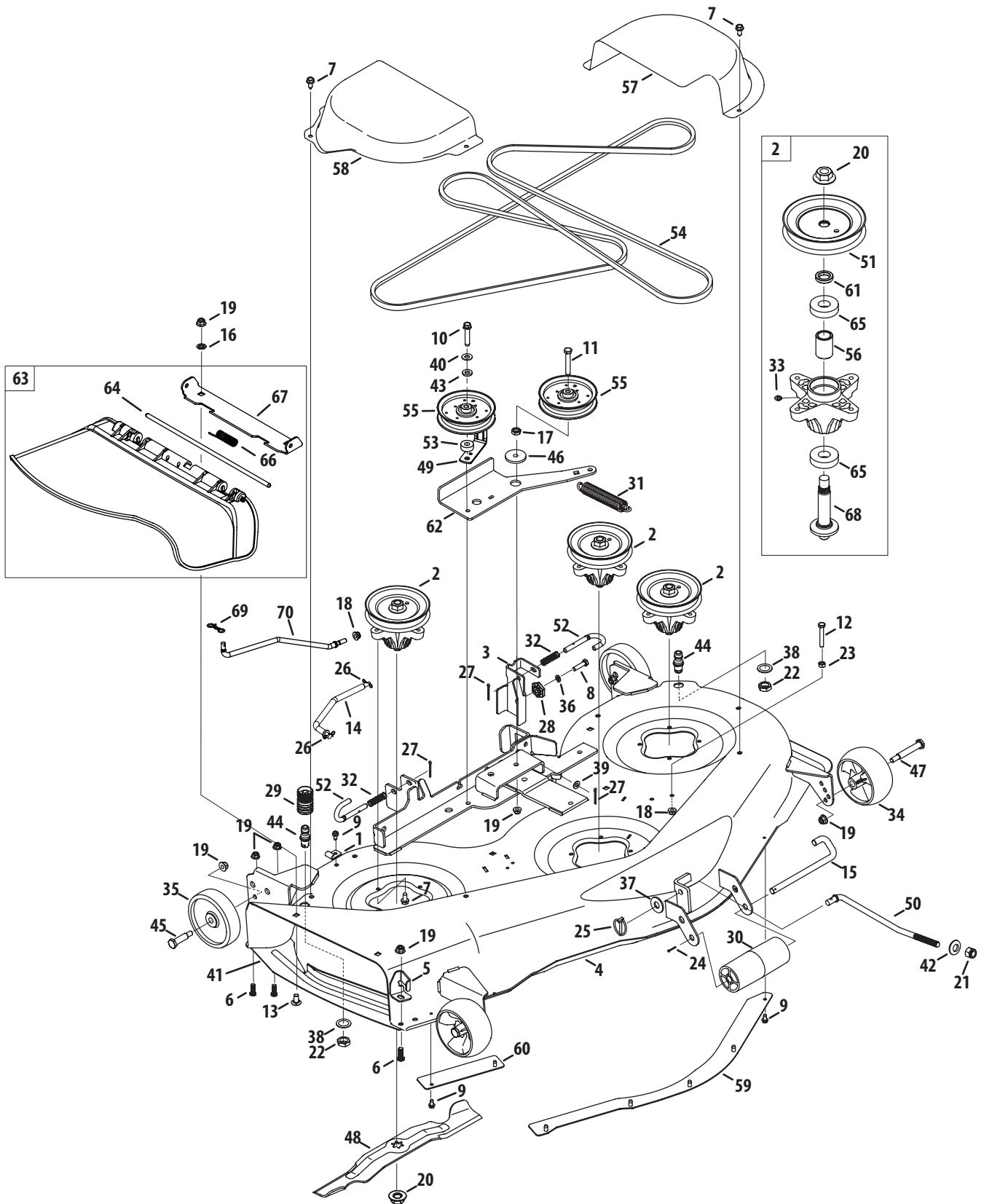
Drive System (Tuff Torq)



Drive System (Tuff Torq)

Ref.	Part Number	Description	Ref.	Part Number	Description
1.	918-05010	Transmission, Tuff Torq K46	30.	936-0344	Wash, Flat, .385 x 1.00 x .030
2.	710-0378	Hex Screw, 5/16-18, 2.50, Gr5, Std	31.	738-0430	Scr, Shldr, .50 x .685 3/8-16
3.	710-0599	Screw, Self-tapping, 1/4-20, 0.500	32.	736-0242	Washer, Bell, .340 x .872 x .060
4.	710-0817	Screw, Self-tapping, 5/16-18, 1.250	33.	710-0627	Hex Screw, 5/16-24, .750, Gr5, Lock
5.	710-04484	Screw, Self-tapping, 5/16-18, .750	34.	738-04420	Spacer, Shoulder, 1.375 x .380 x .183
6.	710-3180	Hex Screw, 5/16-18, 1.75, Gr5	35.	736-0430	Washer, Flat, .350 x 1.59 x .062
7.	710-1007	Screw, Self-tapping, 3/8-16, 1.500	36.	747-04957A	Rod, Transmission, Bypass
8.	710-1325	Screw, Self-tapping, 1/4-20, 1.625	37.	750-04456	Spacer, .260 x .372 x 1.420
9.	710-3011	Hex Screw, 3/8-16, 2.25, Gr5	38.	756-04224	Pulley, Idler, Flat 2.75 OD
10.	912-0240	Nut, Jam, 7/16-20, Gr2	39.	731-2290A	Cap, Hub
11.	914-0111	Pin, Cotter, 3/32, 1.0	40.	938-0380	Bolt, Shoulder, .500 x .270, 3/8-16
12.	712-04063	Nut, Flange Lock, 5/16-18, Nylon	41.	741-0495	Bearing, Flange, .630 x .695 x .60
13.	912-0431	Nut, Flange Lock, 3/8-16	42.	748-04203	Latch, Cruise
14.	914-0111	Pin, Cotter, 3/32, 1.0	43.	756-04325	Pulley, Idler, V-Type x 3.06
15.	725-05335	Jumper Harness, Ground & Reverse	44.	783-06027A	Bracket, Idler, Center Double
16.	747-05447	Rod, Control, Tuff-Torq	45.	783-05914	Bracket, Support, Pedal Strap
17.	747-05448	Rod, Hydro Bypass	46.	783-05940	Bracket, Support, Pedal Strap 5/8
18.	747-05452	Rod, Brake, NX9 Tuff-Torq	47.	783-06103A	Bracket, Pedal, Brake
19.	750-05512	Spacer, .330 x .715 x .430	48.	647-04152D	Control Assembly, Brake
20.	754-04297	Belt, V-Type	49.	683-04537	Bracket Assembly, Pedal, Hydro
21.	783-06849	Bracket, Mount, Tuff-Torq	50.	710-0604A	Screw, Self-tapping, 5/16-18, 0.625,
22.	783-06861	Bracket, Support	51.	711-05068	Pin, Clevis, 5/16 x 3.985
23.	783-07260	Bracket, Belt Keeper	52.	712-04065	Nut, Flange Lock, 3/8-16, Nylon
24.	732-04792	Spring, Extension, 1.00 Dia x 4.75	53.	714-04040	Pin, Cotter, Bow-Tie 72
25.	732-0716D	Spring, Extension, .59 Od x 4.00	54.	783-06059	Bracket, Pedal, Hydro
26.	710-1026	Screw, Self-tapping, 1/4-20 x 1.75	55.	726-0214	Cap, Push 5/8
27.	936-0185	Washer, Flat, .375 x .738 x .063	56.	732-04587	Spring, Extension, .63 Dia x 4.95
28.	735-04118A	Pad, Pedal, Forward	57.	735-04136	Pad, Pedal, Brake
29.	735-04135	Pad, Pedal, Reverse	58.	736-0242	Washer, Bell, .340 x .872 x .060

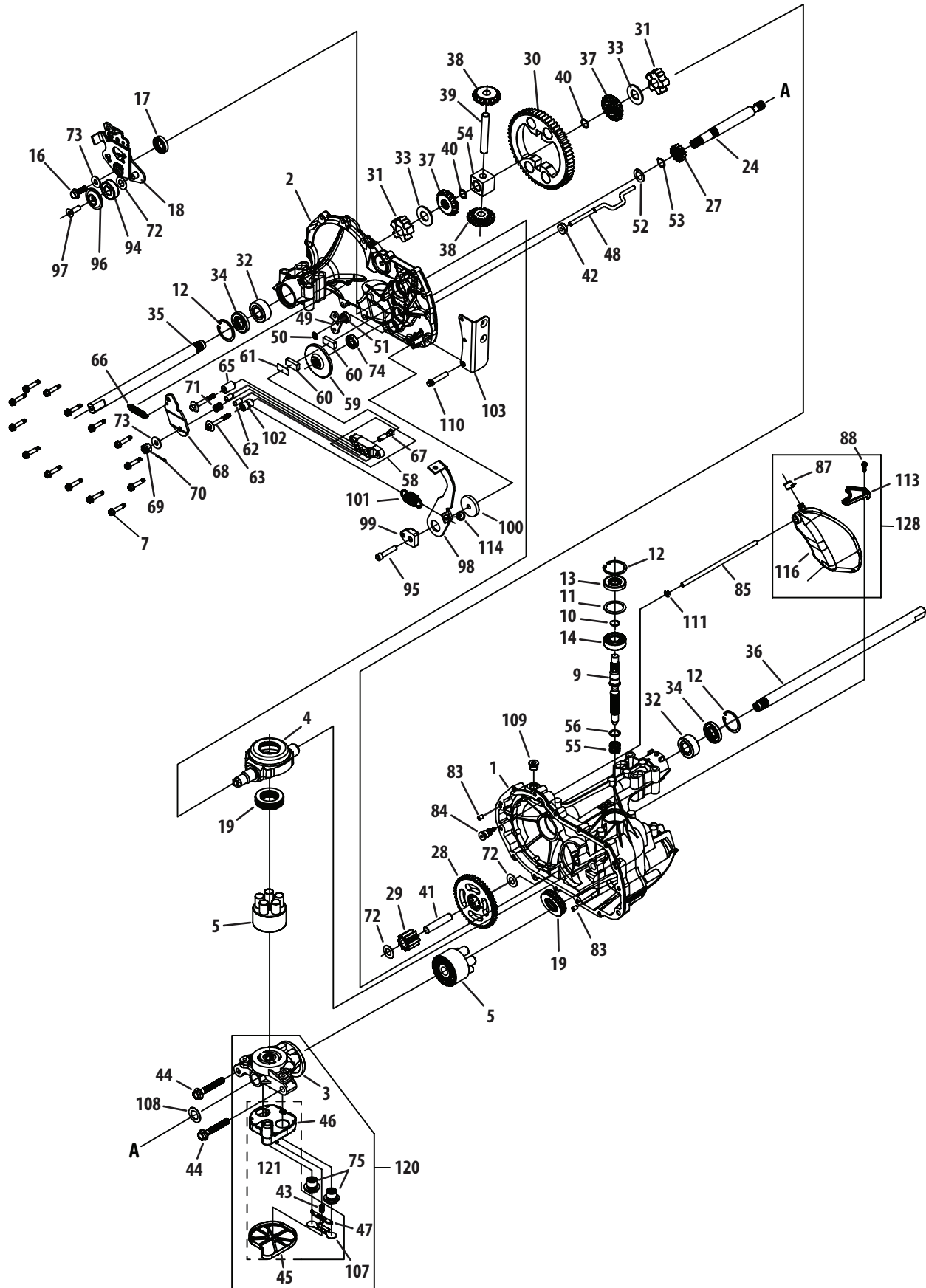
50-inch Deck



Ref.	Part Number	Description
1.	96606	Bracket, Hook, Retainer
2.	918-05016	Spindle Assembly, Pulley, 5.3 Dia.
3.	683-0254B	Bracket Assembly, Deck, Hanger LH
4.	983-04648	Deck Assembly, 50"
5.	703-3279	Stop, Chute, Deflector
6.	710-04095	Hex Screw, 3/8-16, 1.00, Gr5, Spec
7.	710-04484	Screw, Self-tapping, 5/16-18, .750,
8.	710-0528	Hex Screw, 5/16-18, 1.25, Gr5, Std
9.	710-0599	Screw, Self-tapping, 1/4-20, 0.500
10.	710-1008	Screw, Self-tapping, 3/8-16, 1.875
11.	710-3011	Hex Screw, 3/8-16, 2.25, Gr5, Std
12.	710-3103	Hex Screw, 5/16-18, 2.00, Gr5, Std
13.	710-3178	Bolt, Carriage, 3/8-16, 0.75, Gr1
14.	747-05279	Rod, Support, Deck
15.	911-3314	Roller Pin-1/2 Dia. x 7.31
16.	712-0229	Nut, Push, 3/8
17.	912-0240	Nut, Jam, 7/16-20, Gr2
18.	712-04063	Nut, Flange Lock, 5/16-18, Nylon
19.	712-04065	Nut, Flange Lock, 3/8-16, Nylon
20.	712-0417A	Nut, Flange, 5/8-18
21.	712-04243	Nut, 1/2-13
22.	912-0641	Nut, Hex, M16-1.5
23.	912-3010	Nut, Hex, 5/16-18, Gr5
24.	914-0111	Pin, Cotter, 3/32, 1.0
25.	753-04070	Pin, Lynch, .1875
26.	714-04040	Pin, Cotter, Bow-Tie
27.	914-0470	Pin, Cotter, 1/8 x 1.25
28.	917-04074	Gear, Deck, Adjustment
29.	921-04041	Coupler, Water
30.	731-05679	Roller, Front
31.	732-04649	Spring, Extension, 1.0 OD x 6.10
32.	732-04652	Spring, Compr', .535 OD x 1.751
33.	937-3000	Lube Fitting, 3/16
34.	734-04155	Wheel, Deck, 5.0 Dia. Ball
35.	734-0973	Wheel, Deck 5.0 x 1.38

Ref.	Part Number	Description
36.	936-0119	Washer, Lock, 5/16, Regular Duty
37.	936-0179	Washer, Flat, .531 x 1.25 x .100
38.	736-0225	Washer, Lock, 5/8, Int Tooth
39.	936-0275	Washer, Flat, .344 x .688 x .065
40.	936-0300	Washer, Flat, .406 x .875 x .059
41.	703-3511A	Finger Guard
42.	736-0317	Washer, Bell, .63 x 1.25 x .18
43.	736-3010	Washer, Flat, .407 x .812 x .135
44.	737-04003D	Port, Water
45.	938-0373	Bolt, Shoulder, .496 x 1.525, 3/8-16
46.	738-04162A	Spacer, Shoulder, .8840 x .190
47.	938-3056	Bolt, Shoulder, .496 x 2.50, 3/8-16
48.	942-04053C	Blade, 17.90 Star 2 In 1
49.	783-06368A	Belt Guard Bracket
50.	747-05067A	Rod, Lift, Deck, Front, 11.7
51.	756-04216	Pulley, Deck, 5.39 Dia.
52.	747-1116	Rod, Deck Release
53.	750-3119	Spacer, .406 Id x 1.00 OD x .38
54.	954-04240	Belt, V-Type
55.	756-04129B	Pulley, Idler, 4.25" Dia.
56.	750-1096	Spacer, .800 x 1.100 x 1.5300
57.	783-04399	Cover, Belt, LH 50"
58.	783-04400	Cover, Belt, Rh 50"
59.	783-04414A	Skirt, Center, 50"
60.	783-04415	Skirt, RH, 50"
61.	748-0434	Spacer, .750 x 1.150 x .230
62.	783-06361A	Bracket, Idler, Arm
63.	631-04070A	Chute Assembly
64.	711-04565	Pin, Hinge, .3175 Dia. x 14.06 ,1
65.	941-0919	Bearing, Ball, .787id x 1.85 Od x .551
66.	732-04372	Spring, Torsion, .44 I.D. x 2.0,
67.	783-05030	Bracket, Chute 50/54"
68.	738-0976	Shaft, Spindle, 4.1250
69.	714-04043	Pin, Cotter, Bow-Tie
70.	747-05701	Rod, Support, Deck (Tuff Torq)

Hydrostatic Transmission (Hydro-Gear 311-0510)



Hydrostatic Transmission (Hydro-Gear 311-0510)

Ref.	Part Number	Description	Ref.	Part Number	Description
1	HG-70467	Main Housing Assembly	40	HG-44871	Ring, Spiral Retaining
		Main Housing, Machined	41	HG-51083	Pin, Jackshaft
		Bushing ,865 x 985 x .790	42	HG-51100	Magnet, Ring
2	HG-70483	Main Housing Assembly	43	HG-51136	Spring, Bypass
		Main Housing, Machined	44	HG-50016	Hydro Mtg Screw 3/8-24 x 2.5
		Bushing ,865 x 985 x .790	45	HG-51581	Bottom, Filter
		Bushing 624 x 719 x .562	46	HG-51580	Base Filter W/ Poppet
3	HG-70477	Center Section Assembly	47	HG-51091	Actuator Bypass
		Center Section Machined	48	HG-51098	Rod Bypass Actuator
		Bushing. 707 x .788 x .591	49	HG-51135	Arm, Bypass
4	HG-51048	Swashplate, Trunnion Machined	50	HG-51116	Retaining Ring 0.250 External
5	HG-70331	Block - Assembly	51	HG-51081	Seal, Lip .741 x .250 x .250 Tc
		Block - Cylinder	52	HG-44371	Flat Washer 5/8 Id x 1.0 Od x .05
		Piston	53	HG-44145	Retaining Ring
		Spring, Compression	54	HG-51071	Bearing, Center Block
		Washer - Thrust	55	HG-2003014	Spring - Helical Compression
7	HG-53246	Hex Flange Screw 1/4-20 x-1,25	56	HG-2003017	Washer
9	HG-51062	Shaft, Input	58	HG-62589	Kit, Brake Yoke
10	HG-2000022	Ring - Retaining			Brake Yoke
11	HG-50951	Spacer			Sq. Hd, Bolt 5/16-24 Ribbed
12	HG-50329	Ring - Retaining	59	HG-51072	Rotor, Brake
13	HG-51161	Seal Lip .67 x 1.58 x .276	60	917-0678	Brake Puck
14	HG-50315	Ball Bearing 17mm Id x 40mm Od	61	917-0682	Puck Plate
16	HG-51064	Bolt. Flange 5/16-24 x .94 (Patch)	62	941-0343	Brake Actuating Pin
17	HG-51140	Lip Seal 18 x 32 x 7	63	HG-51146	Hex Screw 1/4-20 x 2 w/ Patch
18	HG-51119	Arm Control	65	HG-23711	Spacer
19	HG-50551P	Bearing 30x52 x 13 Thrust	66	HG-70896	Kit, Spring
24	HG-50966	Shaft Motor	67	N/A	So. Hd, Bolt 5/16-24- Ribbed
27	HG-51130	Gear - Pinnion 13t	68	HG-44094	Arm, Brake
28	HG-51129	10t/48t Gear	69	912-0273	Slotted Hex Nut 5/16-24
29	HG-51043	Gear Jot Jackshaft	70	914-0507	Cotter Pin 3/32 x 3/4
30	HG-51044	60t Bull Gear	71	HG-50919	Comp. Spring Brake Anti-Drag
31	HG-51088	Sleeve Bearing .75 x 1.750 x .625	72	HG-50132	Washer, Ht .5 I. D. x 1 OD, x .032
32	HG-51089	Sleeve Bearing .75 x 1.575 x .625	73	736-0371	Flat Washer, 11/32 ID x 7/8 OD
33	HG-44875	Washer 3/4 Id x 1-1/2 Od x .13 Thk	74	HG-70719	Kit, Seal
34	HG-51066	Lip Seal Axle Seal			Oil, Seal 625 x Lo x .25
35	HG-51079	Shaft Axle .75 x 11.39 (Dd R. H.)			Ring, Ret-Star Washer
36	HG-51078	Shaft Axle .75 x 17.99 (Dd, L, H.)			Bulletin, Shaft Seal
37	HG-71310	Miter Gear (Splined)	75	HG-51084	Check Plug Assem, .027 Washer
38	HG-44097	Miter Gear 15t (0.5 Id)	83	HG-9004800-2506	Pin, Standard Headless
39	HG-50146	Shaft	84	HG-51143	Fitting, 5/16 Sae 5/32 Tube

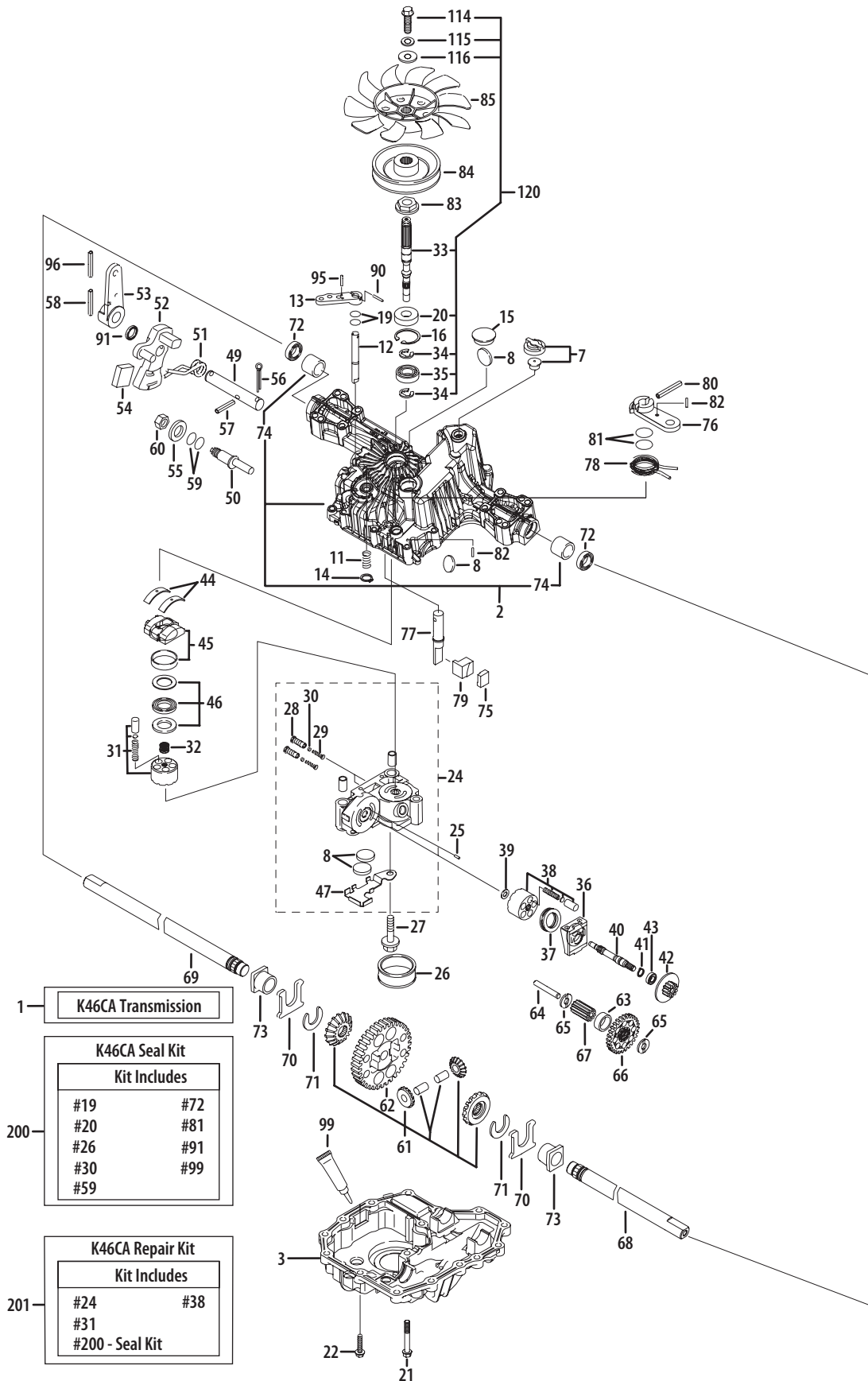
Continued on next page

Hydrostatic Transmission (Hydro-Gear 311-0510)

Ref.	Part Number	Description	Ref.	Part Number	Description
85	HG-51147	Hose, Expansion Tank	121	HG-70756	Filter Assembly
87	HG-51251	Cap,. Vent			Bottom Filter
88	HG-50653	Bolt, Self Tapping 10-32 x 112			Base Filter w/ Poppet
94	HG-44147	Ball Bearing .62 Id x 1,38 x 44			Spring Bypass
95	HG-50837	Cap Screw, 5/16-24 x 1-112			Actuator Bypass
96	HG-51200	Spacer, Locating			Deflector
97	HG-50870	Screw, Sfhcs	128	HG-70503	Kit, Expansion Tank
98	HG-51120	Arm, Return			Tank, Expansion
99	HG-51097	Puck, Adjusting			Cap, Vent
100	HG-51122	Washer, .325 OD x 1.6 ID x .150			Bolt, Self Tapping 10-32 x 1/2
101	HG-51131	Spring, Extension			Bracket, Support Expansion Tank
102	HG-51123	Spacer, .56 x .26 x .87			Silicon-Sponge 112 x 1/2 x 3/16
103	HG-51223	Bracket, Torque	—	HG-50928	Sealant
107	HG-51134	Deflector	—	HG-70463	Seal, O-Ring Kit
108	HG-51069	Washer, Motor Shaft .71 Id 1.15 Od	—	—	20w-50 Oil (78.8 oz)
109	HG-9005110-5600	Plug, SAE #6			
110	HG-50868	Torx Head Screw, 5/16-18			
111	HG-51144	O-Ring, .07 x .301 ID			
113	HG-51179	Bracket, Support Expansion Tank			
114	HG-51184	Spring Guide			
116	HG-70503	Silicon Sponge			
120	HG-70759	Center Section - Bypass Assm			
		Center Section Machined			
		Base Filter w/ Poppet			
		Check Plug Assembly			
		Spring Bypass			
		Actuator Bypass			
		Deflector			
		Bottom, Filter			
		Bushing, .707 x .788 x .591			

Page Left Blank Intentionally

Hydrostatic Transmission (Tuff-Torq 918-05010)



Hydrostatic Transmission (Tuff-Torq 918-05010)

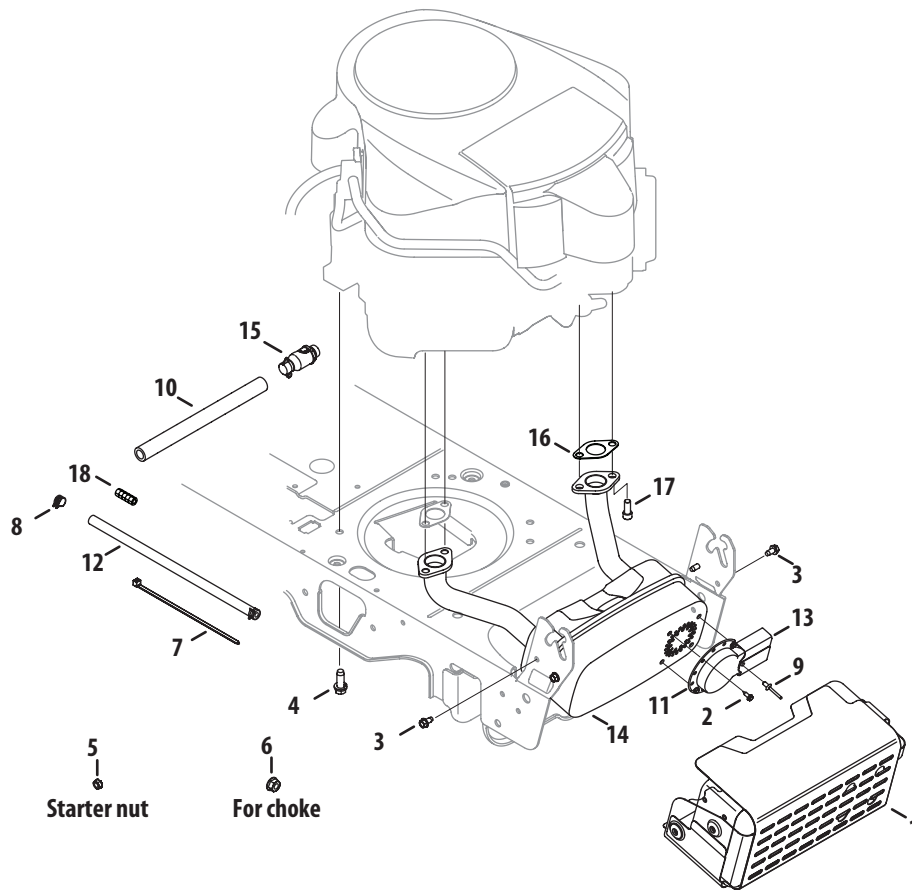
Ref.	Part Number	Description
1	918-05010	K46CA Transaxle
2	TT-1A646084431	Kit, Upper Case
3	TT-1A646084181	Lower Case
7	TT-168T2024250	Vent Valve 15
8	TT-19216324360	Magnet
11	TT-19215427281	Spring 25
12	TT-1A646029510	Bypass Shaft A
13	TT-1A632029520	Bypass Lever
14	TT-19216829570	Snap Ring 10
15	TT-168T2036300	Sealing Cap 30
16	TT-22252000350	Snap Ring C 35
19	TT-24311240100	O-Ring 1A P10A
20	TT-24421153507	Seal TC 153507
21	TT-26476080552	Tapping Screw 8 x 55
22	TT-26476080302	Tapping Screw 8 x 30
24	TT-1A646099070	Kit, Center Case C
25	TT-19216824760	Pin 3 x 9.8
26	TT-168T2025220	Filter 105
27	TT-168T2099990	Bolt 10 x 75
28	TT-1A646024800	IDS Valve 1.2
29	TT-1A646024761	IDS Spring
30	TT-1A646024790	IDS Filter 300
31	TT-168T2025090	Kit, Cylinder Block (Pump)
32	TT-1A646025200	Spring
33	TT-1A646025230	Pump Shaft
34	TT-19215485310	E-Ring 15
35	TT-24101062020	Bearing 6202C3
36	TT-19216824210	Motor Housing
37	TT-1A646034750	Thrust Bearing 51106
38	TT-168T2025080	Kit, Cylinder Block
39	TT-19216825230	Washer 12 x 24 x 1
40	TT-1A646025271	Motor Shaft
41	TT-19215425310	Snap Ring C15
42	TT-1A646025400	Brake Disc/Motor Gear (11T)
43	TT-168T2025280	Bearing 6202 RSR C3
44	TT-187T0027060	Thrust, Plastic
45	TT-168T2084530	Swash Plate Assembly
46	TT-19216399000	Kit, Thrust Bearing (Pump)
47	TT-1A646029010	Magnet Holder

Ref.	Part Number	Description
49	TT-1A646029911	Control Shaft
50	TT-168T2029920	Fulcrum
51	TT-168T2029800	Torsion Spring, Standard
52	TT-1A646029740	Control Arm A
53	TT-1A646029400	Control Lever F
54	TT-168T2029360	Jerky Plate
55	TT-22137120000	Washer 12
56	TT-1A646029940	Cotter Pin 1/8" x 3/4"
57	TT-22351060036	Spring Pin 6 x 36
58	TT-22351060040	Roll Pin 6 x 40
59	TT-24311000140	O-Ring P14
60	TT-26776120002	Nut 12
61	TT-1A646031570	Diff Gear Kit
62	TT-1A646033520	Final Gear (54T)
63	TT-1A646033250	Final Pinion Collar
64	TT-1A646033410	Reduction Shaft
65	TT-19216833420	Washer 12 x 32 x 3.2
66	TT-1A646033450	Reduction Gear (37T)
67	TT-168T2033540	Final Pinion Gear (10T)
68	TT-1A646034370	Axle Shaft, Left
69	TT-1A646034380	Axle Shaft, Right
70	TT-19216334261	Thrust Washer
71	TT-19216834270	Ring 17
72	TT-19216334280	Seal 19 x 32 x 8
73	TT-19216834350	Bushing 19 x 25
74	TT-19216334240	Bushing 19.05
75	TT-1A646036121	Brake Shoe
76	TT-1A646036160	Brake Lever
77	TT-1A646036171	Brake Shaft
78	TT-168T2036180	Brake Return Spring
79	TT-1A646036200	Brake Actuator
80	TT-22351050032	Spring Pin 5 x 32
81	TT-24311000120	O-Ring 1A P12
82	TT-22351040016	Spring Pin 4 x 16
83	TT-1A646025300	Spline Collar
84	TT-1A646025760	Pulley B
85	TT-1A646083070	Fan, Black
90	TT-22351030020	Spring Pin 3.0A x 20
91	TT-1A646024440	Oil Seal 16 x 22 x 03

Continued on next page

Hydrostatic Transmission (Tuff-Torq 918-05010)

Ref.	Part Number	Description
95	TT-22351030016	Spring Pin 3.0A x 16
96	TT-22351035040	Roll Pin 3.5 x 40
99	N/A	Sealant
114	TT-1A646083090	Bolt
115	TT-1A646083100	Lock Washer
116	TT-1A646083110	Washer
120	TT-1A646099980	Pump Shaft/Bearing Kit
200	TT-1A646099140	Kit, Seal Incl. 19, 20, 26, 30, 59, 72, 81, 91 & 99
201	TT-1A646099600	Repair Kit, Incl. 24, 31, 38 & 200



Ref.	Part Number	Description	Ref.	Part Number	Description
1.	683-04549	Shield Ass'y, Muffler	10.	751-3141-14	Hose, Extension, Oil Drain
2.	710-0227	Screw, Ab, #8-18, 0.500,	11.	751-0564B	Deflector, Muffler Koh.
3.	710-0599	Screw, Self-tapping, 1/4-20, 0.500,	12.	751-10349	Hose, Fuel, Low Permeation, 1/4
4.	710-04683	Screw, Self-tapping, 3/8-16, 1.0 Koh.	13.	751-11053	Deflector, Muffler, Long
	710-1315	Screw, Self-tapping, 3/8-16, 1.25 Kaw.	14.	751-10528A	Muffler, Kohler
5.	712-0271	Nut, Sems, 1/4-20		751-11471	Muffler, Kawasaki Twin
6.	912-3005	Nut, Flange Lock, 3/8-16 Kaw.	15.	951-10517A	Drain, Oil Koh.
7.	725-0157	Cable, Tie, 3/16 x .05 x 7.4	16.	KH-24-041-49-S	Gasket, Exhaust, Koh.
8.	726-0205	Clamp, Hose, .490 Dia.	17.	710-1314A	Screw, Sockt Head, 5/16-18, .750 Koh.
9.	728-04000†	Rivet, Pop, .188 Dia x .300	18.	751-12089-28	Hose, Vent

† If Equipped

LTX 1050KW Labels

777D15338



777S33185

⚠ DANGER
ROTATING BLADES CAUSE SERIOUS INJURY OR DEATH

- DO NOT MOW WHEN CHILDREN OR OTHERS ARE AROUND
- NEVER CARRY CHILDREN EVEN WITH BLADE(S) OFF.
- LOOK DOWN AND BEHIND BEFORE AND WHILE BACKING.
- MOWING IN REVERSE IS NOT RECOMMENDED.

⚠ WARNING
TO AVOID SERIOUS INJURY OR DEATH

- GO UP AND DOWN SLOPES, NOT ACROSS.
- AVOID SUDDEN TURNS.
- DO NOT OPERATE THE UNIT WHERE IT COULD SLIP OR TIP.
- IF MACHINE STOPS GOING UPHILL, STOP BLADE(S) AND BACK DOWNHILL SLOWLY.
- KEEP SAFETY DEVICES (GUARDS, SHIELDS, AND SWITCHES, ETC.) IN PLACE AND WORKING.
- REMOVE OBJECTS THAT COULD BE THROWN BY THE BLADE(S).
- KNOW LOCATION AND FUNCTION OF ALL CONTROLS.
- BE SURE BLADE(S) AND ENGINE ARE STOPPED BEFORE PLACING HANDS OR FEET NEAR BLADE(S).
- BEFORE LEAVING OPERATOR'S POSITION, DISENGAGE BLADE(S), ENGAGE PARKING BRAKE, SHUT OFF AND REMOVE KEY.

READ OPERATOR'S MANUAL

⚠ WARNING
 Operation Of This Equipment May Create Sparks That Can Start Fires Around Dry Vegetation. A Spark Arrestor May Be Required. The Operator Should Contact Local Fire Agencies For Laws Or Regulations To Fire Prevention Requirements.

TO START

1. DISENGAGE BLADES/PTO, (POWER TAKE OFF)
2. ENGAGE THE TRACTOR'S PARKING BRAKE.
3. ACTIVATE THE CHOKE CONTROL.
4. TURN KEY TO START ENGINE. AFTER START RELEASE KEY & DEACTIVATE CHOKE BY PLACING THROTTLE TO FAST "RABBIT" POSITION.

OPERATING MODES

NORMAL MOWING
 YOU MUST DISENGAGE BLADES/PTO, (POWER TAKE OFF) BEFORE TRAVELING IN REVERSE.

REVERSE CAUTION MODE

1. TURN KEY TO REVERSE CAUTION MODE POSITION.
2. DEPRESS REVERSE PUSH BUTTON. (RED INDICATOR LIGHT "ON")

WHEN RED LIGHT IS "ON" MACHINE CAN BE OPERATED IN REVERSE WITH MOWER BLADES ENGAGED.

3. AFTER RESUMING FORWARD OPERATION, RETURN KEY TO "NORMAL MOWING" POSITION.

NOTE: IN BOTH MODES, WHEN OPERATOR LEAVES SEAT, ENGINE WILL STOP UNLESS PARKING BRAKE IS SET AND BLADES ARE DISENGAGED.

LOWER DASH

PARKING BRAKE
 DEPRESS BRAKE PEDAL, PUSH PARKING BRAKE LEVER DOWN AND RELEASE PEDAL TO LOCK

CRUISE CONTROL
 DEPRESS SPEED CONTROL PEDAL TO REDUCE SPEED, PUSH CRUISE CONTROL LEVER DOWN AND RELEASE PEDAL TO RELEASE

(LOCATED ON DRIVERS RIGHT) DIRECTION/SPEED CONTROL PEDAL

For A List Of Optional Attachments, Please Refer To Your Operators Manual.

777D16533

777D16298

777123293

777D15269

777D15268

777123765

777D15400

777X45529

777123490

777123295

777D16883

777D16882

777S33183

⚠ DANGER
AVOID SERIOUS INJURY OR DEATH

- KEEP HANDS AND FEET AWAY FROM ROTATING PARTS.
- REMOVE OBJECTS THAT CAN BE THROWN BY THE BLADE IN ANY DIRECTION. WEAR SAFETY GLASSES.
- DO NOT MOW WHEN CHILDREN OR OTHERS ARE AROUND. NEVER CARRY CHILDREN EVEN WITH BLADES OFF.
- USE EXTRA CAUTION ON SLOPES. DO NOT MOW SLOPES GREATER THAN 15°. MOW ACROSS NOT UP AND DOWN, AVOID SUDDEN TURNS, USE LOW SPEED.

READ OPERATOR'S MANUAL. KEEP SAFETY DEVICES IN PLACE AND WORKING.

MAX 15°

777123150

777123133

777S30503

⚠ DANGER
KEEP HANDS AND FEET AWAY. DO NOT OPERATE MOWER UNLESS CHUTE DEFLECTOR OR ENTIRE GRASS CATCHER IS IN ITS PROPER PLACE.

ASSEMBLE CHUTE DEFLECTOR TO THIS UNIT BEFORE OPERATING.

777X45952

MODEL LTX 1050KW REPLACEMENT PARTS 03AP			
Use only Cub Cadet genuine factory parts			
Blades	942-04053C (3)	Oil Filter	KM-49065-7007
Lower Drive Belt	954-04297	Air Filter	KM-11013-7049
Engine To Deck Belt	954-04240	Spark Plug	KM-BPRA4ES
Deck Spindles	918-05016	Fuel Filter	KM-49019-7005
Ignition Key	925-2054A	Oil Capacity	70.4 oz
Solenoid	725-04439		

www.cubcadet.com

26

Download from Www.Somanuals.com. All Manuals Search And Download.

777D15460



777D16298



777D15459



777I22679



777I23293



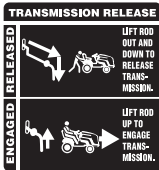
777D15269



777D15268



777I23132



777D15400



777D15338



777I23490



777I23294



777D15417



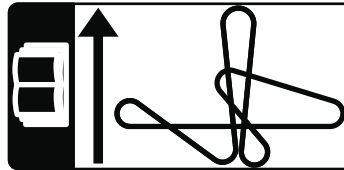
777D15418



777S33183



777I23150



777D16533



777I23133



777S30503



777X44920

MODEL LTX 1050 REPLACEMENT PARTS			
Use only Cub Cadet genuine factory parts			
Blades	942-04053C (3)	Oil Filter	WH-12-050-01-S
Lower Drive Belt	954-04207	Air Filter	WH-32-883-03-S1
Engine To Deck Belt	954-04240	Spark Plug	759-3336
Deck Spindles	918-05016	Fuel Filter	WH-25-050-22-S1
Ignition Key	925-2054A	Oil Capacity	57.6 oz
Solenoid	725-04439		

www.cubcadet.com

777X45529



⚠ DANGER
ROTATING BLADES CAUSE SERIOUS INJURY OR DEATH

- DO NOT MOW WHEN CHILDREN OR OTHERS ARE AROUND
- NEVER CARRY CHILDREN EVEN WITH BLADE(S) OFF.
- LOOK DOWN AND BEHIND BEFORE AND WHILE BACKING.
- MOWING IN REVERSE IS NOT RECOMMENDED.

TO START

1. DISENGAGE BLADES/PTO, (POWER TAKE OFF)
2. ENGAGE THE TRACTOR'S PARKING BRAKE.
3. ACTIVATE THE CHOKER CONTROL.
4. TURN KEY TO START ENGINE. AFTER START RELEASE KEY & DEACTIVATE CHOKER BY PULLING THROTTLE TO FAST "RABBIT" POSITION.

OPERATING MODES

NORMAL MOWING
YOU MUST DISENGAGE BLADES/PTO, (POWER TAKE OFF) BEFORE TRAVELING IN REVERSE.

REVERSE CAUTION MODE

1. TURN KEY TO REVERSE CAUTION MODE POSITION.
2. DEPRESS REVERSE PUSH BUTTON. (RED INDICATOR LIGHT "ON") WHEN RED LIGHT IS "ON" MACHINE CAN BE OPERATED IN REVERSE WITH MOWER BLADES ENGAGED. IMPORTANT: MOWING IN REVERSE IS NOT RECOMMENDED.
3. AFTER RESUMING FORWARD OPERATION, RETURN KEY TO "NORMAL MOWING" POSITION.

NOTE: IN BOTH MODES, WHEN OPERATOR LEAVES SEAT, ENGINE WILL STOP UNLESS PARKING BRAKE IS SET AND BLADES ARE DISENGAGED.

⚠ WARNING
TO AVOID SERIOUS INJURY OR DEATH

- GO UP AND DOWN SLOPES, NOT ACROSS.
- AVOID SUDDEN TURNS.
- DO NOT OPERATE THE UNIT WHERE IT COULD SLIP OR TIP.
- IF MACHINE STOPS GOING UPHILL, STOP BLADE(S) AND BACK DOWNHILL SLOWLY.
- KEEP SAFETY DEVICES (GUARDS, SHIELDS, AND SWITCHES, ETC.) IN PLACE AND WORKING.
- REMOVE OBJECTS THAT COULD BE THROWN BY THE BLADE(S).
- KNOW LOCATION AND FUNCTION OF ALL CONTROLS.
- BE SURE BLADE(S) AND ENGINE ARE STOPPED BEFORE PLACING HANDS OR FEET NEAR BLADE(S).
- BEFORE LEAVING OPERATOR'S POSITION, DISENGAGE BLADE(S), ENGAGE PARKING BRAKE, SHUT OFF AND REMOVE KEY.

READ OPERATOR'S MANUAL

⚠ WARNING
Operation Of This Equipment May Create Sparks That Can Start Fires Around Dry Vegetation. A Spark Arrestor May Be Required. The Operator Should Contact Local Fire Agencies For Laws Or Regulations To Fire Prevention Requirements.

LOWER DASH

PARKING BRAKE
DEPRESS BRAKE PEDAL TO ENGAGE. PUSH PARKING BRAKE LEVER DOWN AND RELEASE PEDAL TO LOCK.

CRUISE CONTROL
DEPRESS SPEED CONTROL PEDAL TO DEPRESS SPEED. PUSH CRUISE CONTROL LEVER DOWN AND RELEASE PEDAL. PRESS BRAKE OR SPEED CONTROL TO RELEASE.

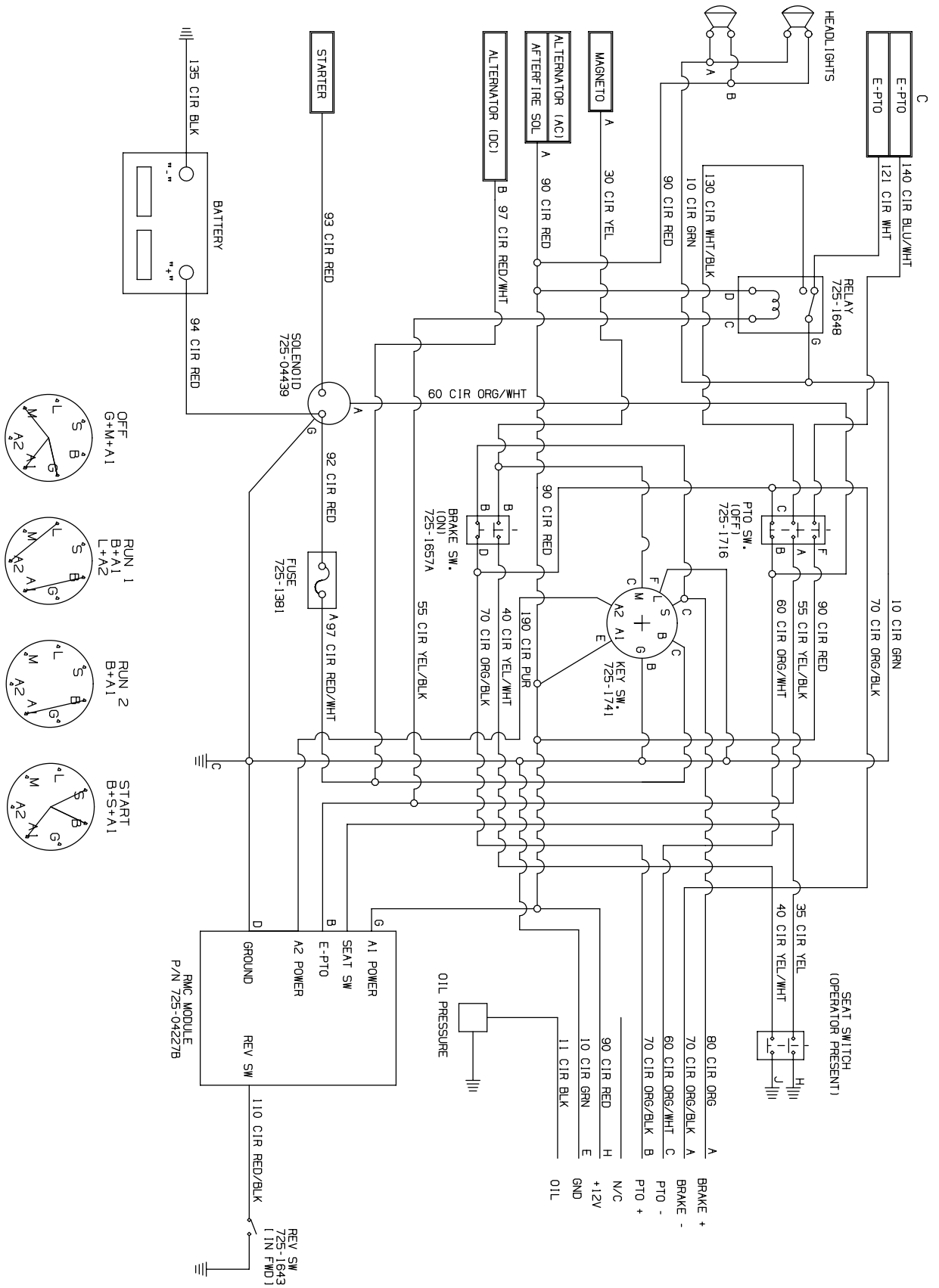
(LOCATED ON DRIVERS RIGHT) DIRECTIONAL SPEED CONTROL PEDAL

For A List Of Optional Attachments, Please Refer To Your Operators Manual.

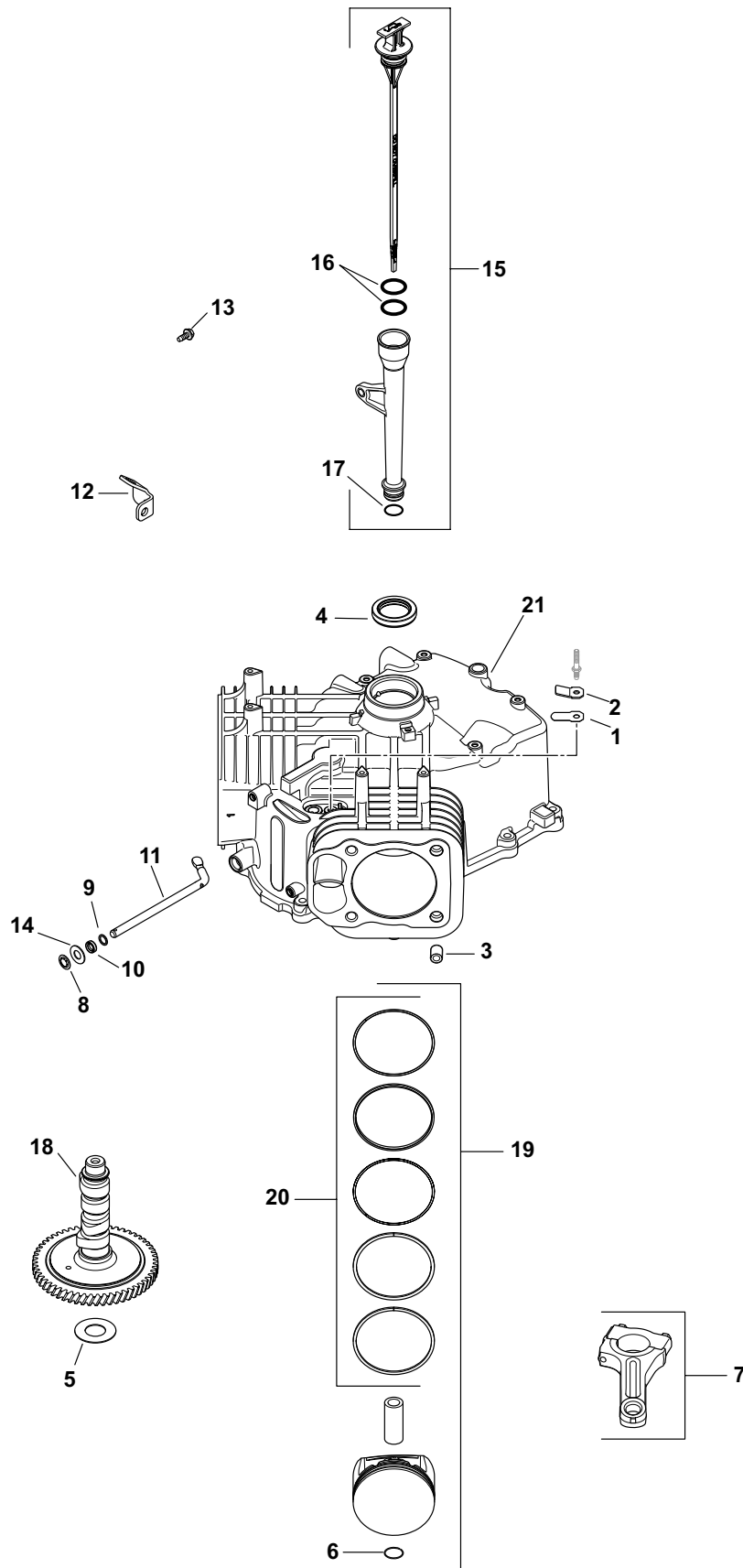
Download from Www.Somanuals.com. All Manuals Search And Download.

27

LTX 1050/KW Electrical Schematic

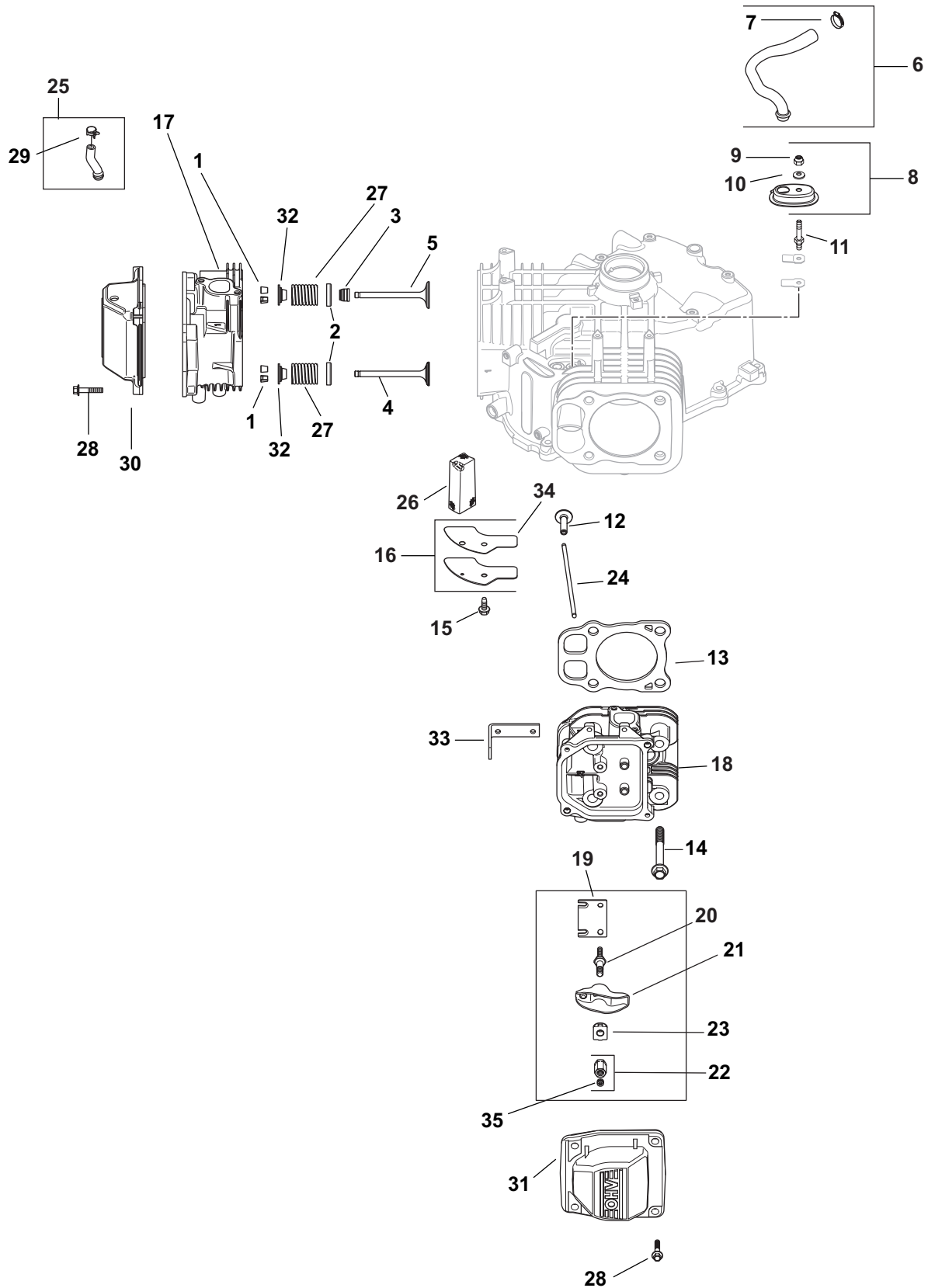


Kohler SV725 Crankcase



Ref.	Part Number	Description
1	KH-12-402-02	Breather Reed
2	KH-24-018-04-S	Breather Reed Retainer
3	KH-24-380-16-S	Locating Pin
4	KH-24-032-19-S	Oil Seal, 1.78 x 1.26
5	KH-12-422-07-S	Camshaft Shim, .028 (White)
—	KH-12-422-08-S	Camshaft Shim, .03 (Blue)
—	KH-12-422-09-S	Camshaft Shim, .032 (Red)
—	KH-12-422-10-S	Camshaft Shim, .034 (Yellow)
—	KH-12-422-11-S	Camshaft Shim, .036 (Green)
—	KH-12-422-12-S	Camshaft Shim, .038 (Gray)
—	KH-12-422-13-S	Camshaft Shim, .04 (Black)
6	KH-24-018-01-S	Piston Pin Retainer
7	KH-24-067-28-S	Connecting Rod (STD)
8	KH-24-018-09-S	Ring Retainer
9	KH-24-468-15-S	Flat Washer, 1 ¹ / ₂
10	KH-28-032-09-S	Governor Cross Shaft Seal
11	KH-24-144-38-S	Governor Cross Shaft
12	KH-24-126-19	Oil Fill Tube Bracket
13	KH-M-545013-S	Flange Screw, M5 x .8 x 13
14	KH-M-931010-S	Flat Washer, 9mm
15	KH-32-755-04-S	Dipstick & Tube Kit
16	KH-25-153-09-S	O-Ring
17	KH-12-153-01-S	Lower Oil Fill Tube O-Ring
18	KH-32-010-05-S	Camshaft Assembly
19	KH-32-874-13-S	Piston Kit w/ Ring
20	KH-32-108-01-S	Ring Set, Piston STD
21	N/A	Crankcase (Use Short Block)
NS	KH-25-357-14-S	Camshaft Lubricant

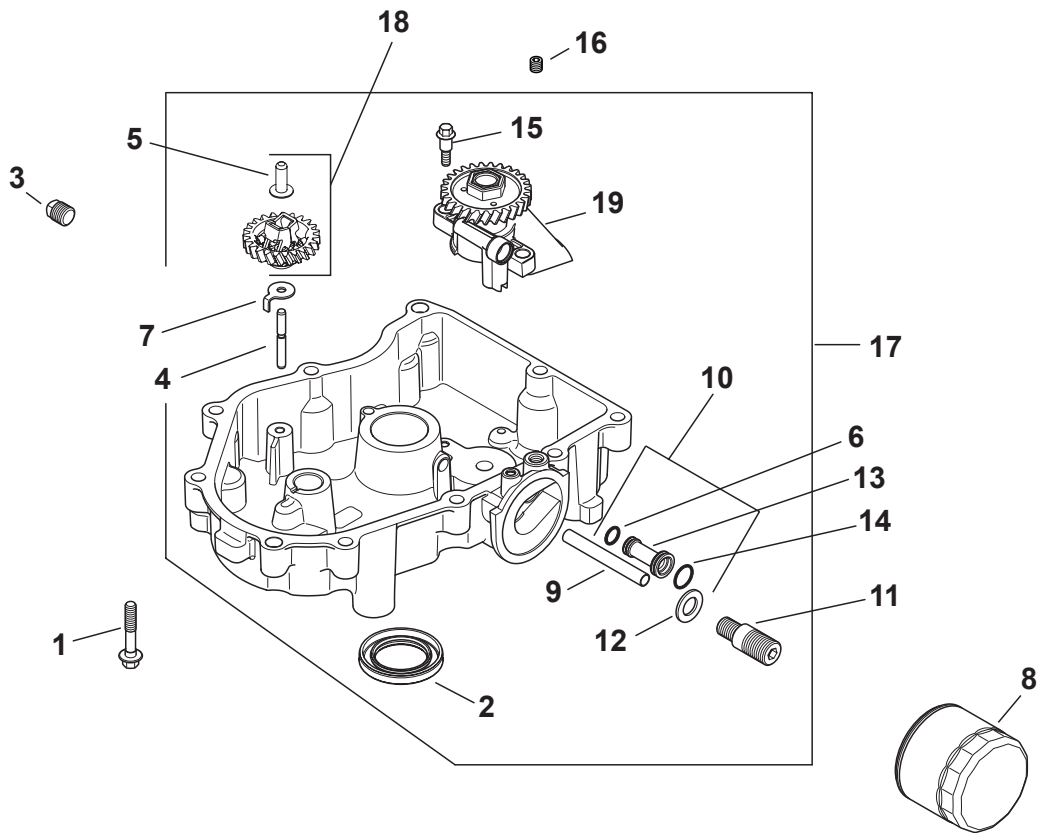
Kohler SV725 Head/Valve/Breather



Kohler SV725 Head/Valve/Breather

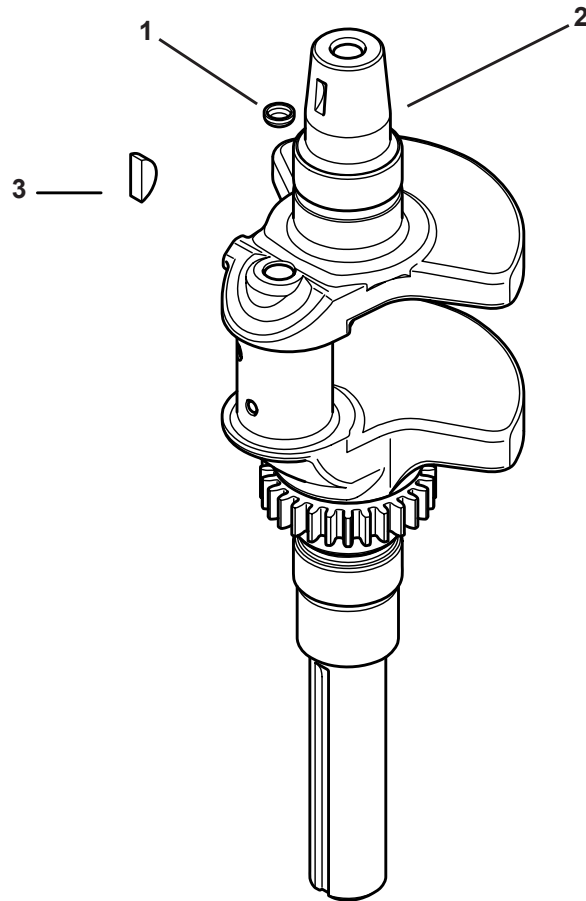
Ref.	Part Number	Description	Ref.	Part Number	Description
1	KH-12-755-03	Retainer Kit	19	KH-32-146-09-S	Guide Plate
2	KH-235011-S	Spring Retainer	20	KH-32-072-04-S	Rocker Stud
3	KH-66-032-05-S	Valve Stem Seal	21	KH-32-186-03-S	Rocker Arm
4	KH-24-016-01	Exhaust Valve (STD)	22	KH-32-100-05-S	Hex Nut Assembly
5	KH-24-017-01	Intake Valve (STD)	23	KH-25-599-01-S	Rocker Arm Pivot
6	KH-32-326-06-S	Breather Hose Kit (Inc. #7)	24	KH-32-411-04-S	Push Rod
7	KH-25-237-31-S	Hose Clamp, ½	25	KH-32-326-07-S	Fuel Pump Hose w/ Clamp Kit
8	KH-32-081-02-S	Breather Housing Kit (Inc. #9 & 10)	26	KH-32-050-05-S	Breather Filter
9	KH-M-547050-S	Lock Nut, M5 x .8	27	KH-32-089-05-S	Valve Spring
10	KH-32-468-01-S	Sealing Washer	28	KH-25-086-374-S	Pan Head Screw
11	KH-32-072-03-S	Breather Cover Stud	29	KH-25-237-01-S	Hose Clamp
12	KH-32-019-02-S	Tappet	30	KH-25-096-10-S	Rocker Stamped Steel Cover
13	KH-32-841-01-S	Cylinder Head Gasket Kit	31	KH-25-096-09-S	Rocker Stamped Steel Cover
14	KH-62-086-08-S	Flange Screw, M10 x 1.5 x 90	32	KH-25-173-28-S	Valve Spring Cap
15	KH-M-645016-S	Flange Screw, M6 x 1.0 x 16	33	KH-25-445-03-S	Lifting Strap
16	KH-32-096-04-S	Breather Cover Kit	34	KH-32-041-01-S	Breather Cover
17	KH-32-318-13-S	#1 Cylinder Head Assembly Kit (Inc. Exhaust Mounting Hardware)	35	KH-25-086-168-S	Set Screw
18	KH-32-318-14-S	#2 Cylinder Head Assembly Kit (Inc. Exhaust Mounting Hardware)	NS	KH-32-755-03-S	Cylinder Head Hardware Kit (Inc. #1-5, 19-22, 23-24)

Kohler SV725 Oil Pan/Lubrication



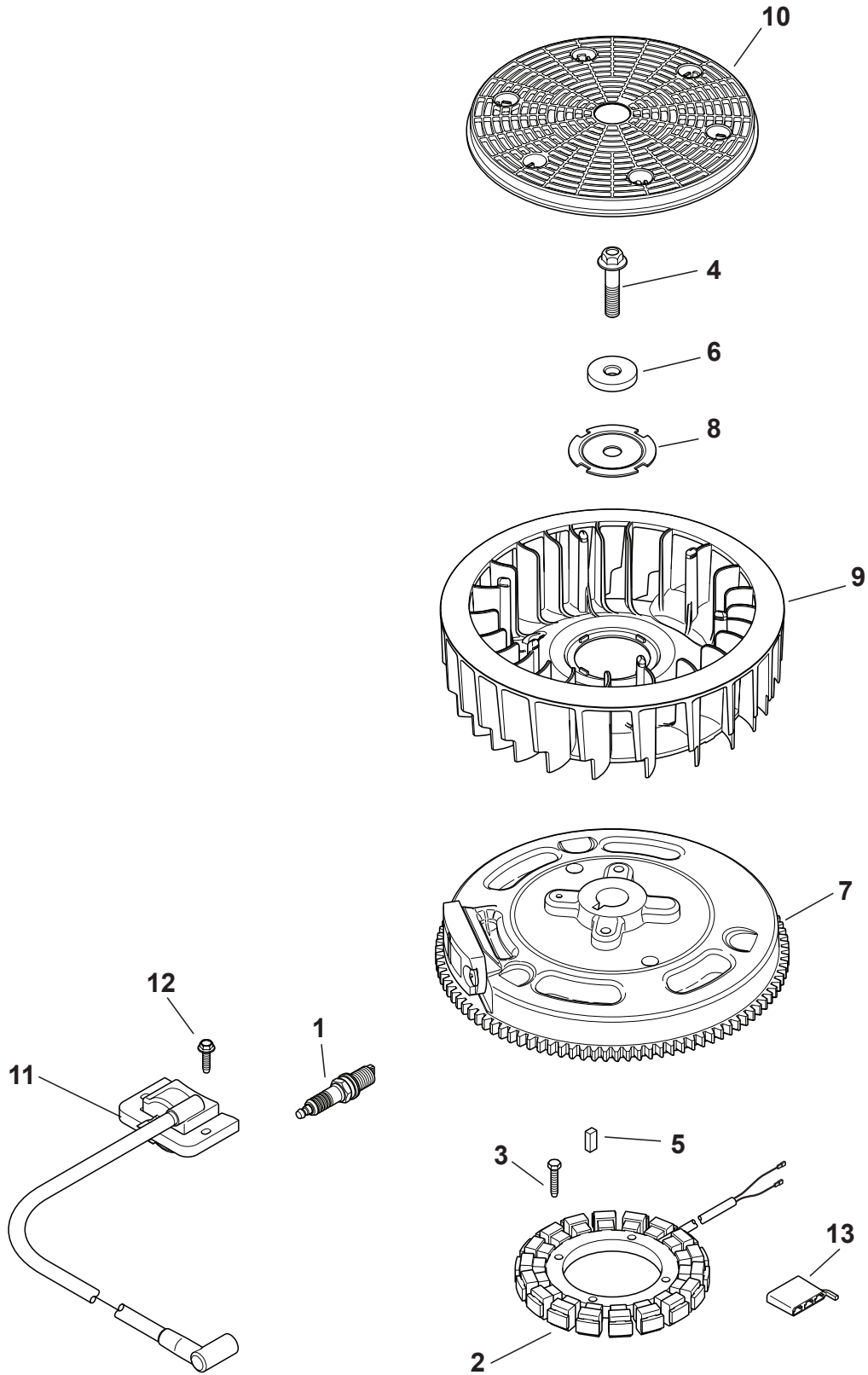
Ref.	Part Number	Description
1	KH-24-086-17-S	Flange Screw, M8 x 1.25 x 45
2	KH-25-032-06-S	Oil Seal, 2.38 x 1.45
3	KH-25-139-57-S	Square Head Pipe Plug, 3/8
4	KH-12-144-02	Governor Gear Shaft
5	KH-12-380-01	Governor Regulating Pin
6	KH-24-153-01	Oil Pick-Up O-Ring
7	KH-24-448-02-S	Locking Tab
8	KH-12-050-01-S	Oil Filter
9	KH-32-123-01-S	Oil Feed Tube (Filter to Pan)
10	KH-32-123-09-S	Oil Feed Tube Assembly

Ref.	Part Number	Description
11	KH-32-136-05-S	Oil Filter Nipple
12	KH-32-468-02-S	Flat Washer
13	KH-32-123-06-S	Oil Feed Tube
14	KH-32-153-05-S	O-Ring
15	KH-32-086-01-S	Screw, M6 x 6.5
16	KH-25-139-60-S	Pipe Plug, 1/8
NS	KH-32-199-14-S	Oil Pan Assembly
NS	KH-32-310-02-S	Governor Gear Kit
NS	KH-32-393-16-S	Oil Pump Assembly



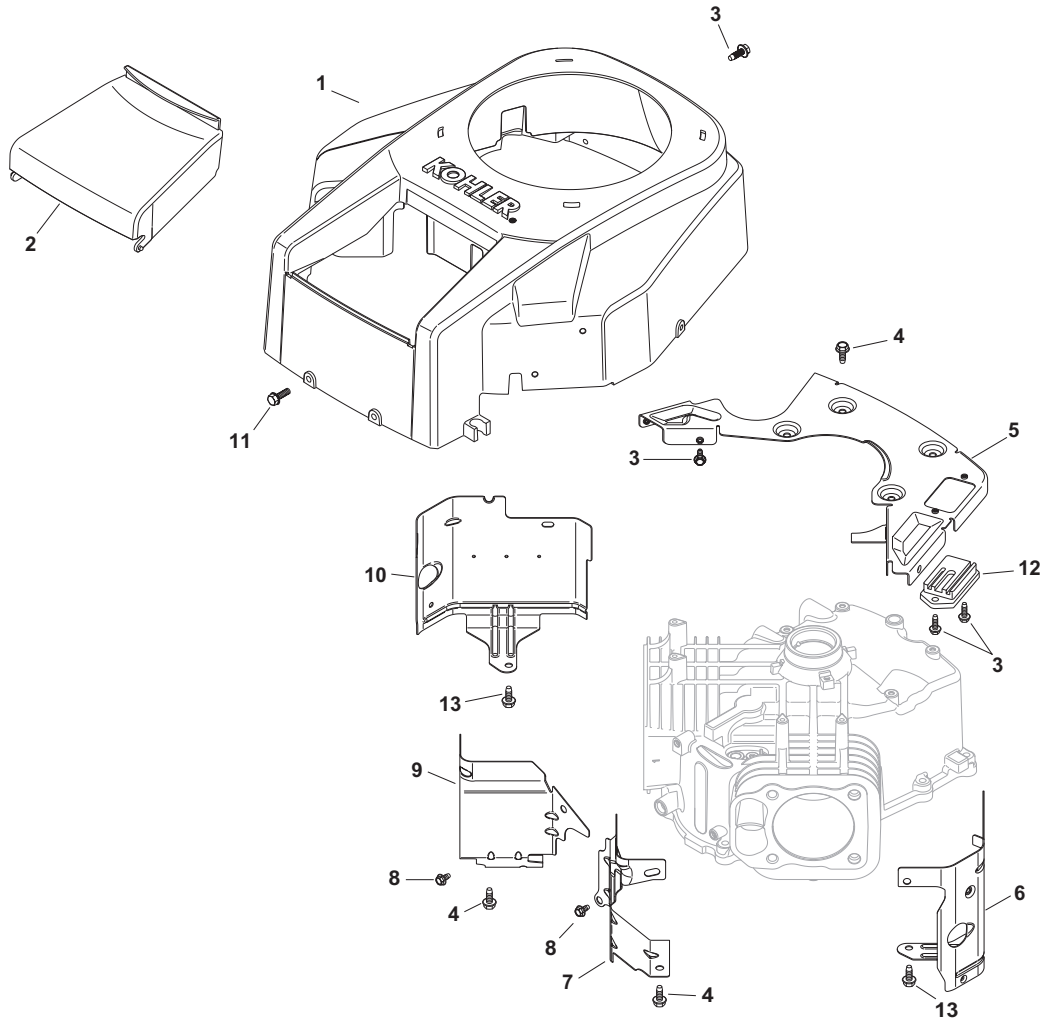
Ref.	Part Number	Description
1	KH-52-139-09-S	Cup Plug
2	KH-32-014-305-S	Crankshaft
3	KH-X-43-1-S	Key, 1/8 x 1/2

Kohler SV725 Ignition/Electrical

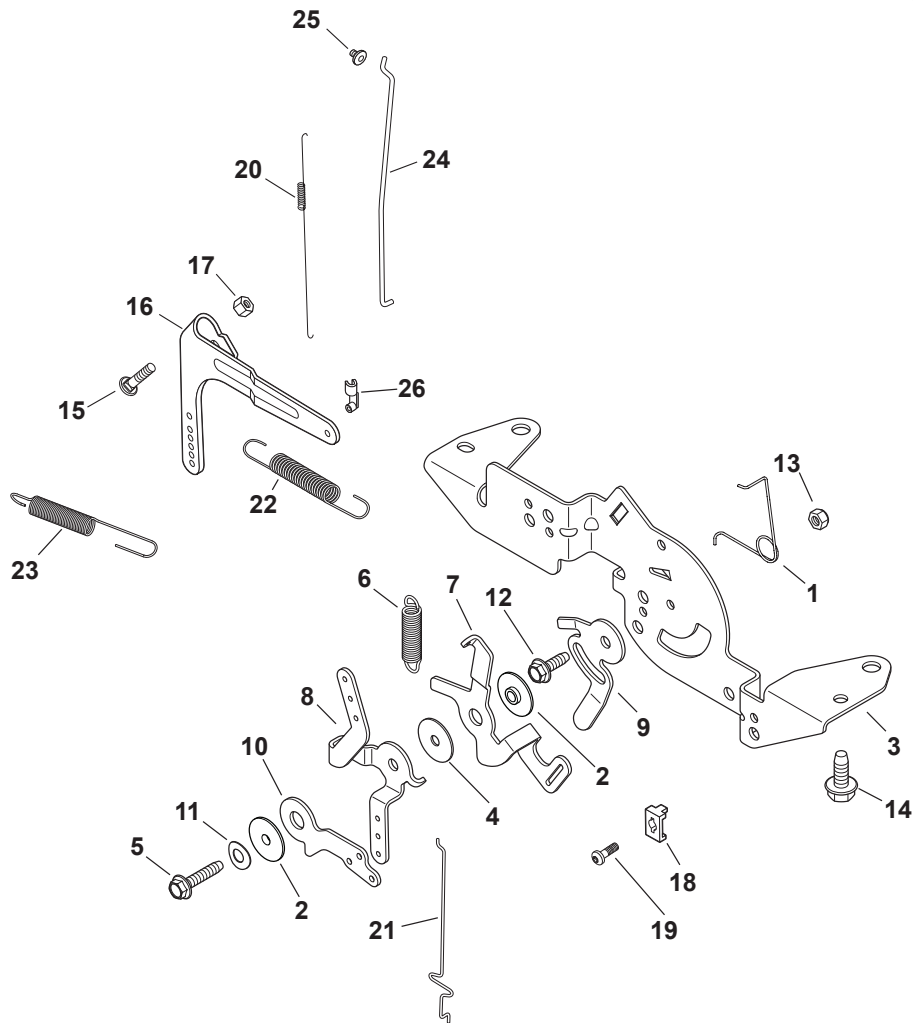


Ref.	Part Number	Description
1	759-3336	Spark Plug
2	KH-237878	15 Amp Stator Kit (Inc. KH-25-452-01-S)
3	KH-M-548025-S	Screw, M5 x 0.8 x 25
4	KH-25-086-361-S	Hex Flange Screw
5	KH-25-340-04-S	Square Key
6	KH-25-468-09-S	Flat Washer
7	KH-32-025-16-S	Flywheel Assembly
8	KH-20-146-05-S	Fan Mounting Plate
9	KH-32-157-01-S	Fan
10	KH-32-162-03-S	Grass Screen
11	KH-24-584-45-S	Module Ignition Kit
12	KH-M-545020-S	Flange Screw, M5 x .8 x 20
13	KH-25-155-41-S	Connector
NS	KH-25-454-03-S	Wire Tie
NS	KH-25-454-05-S	Tie
NS	KH-32-176-24-S	Wiring Harness

Kohler SV725 Blower Housing & Baffles



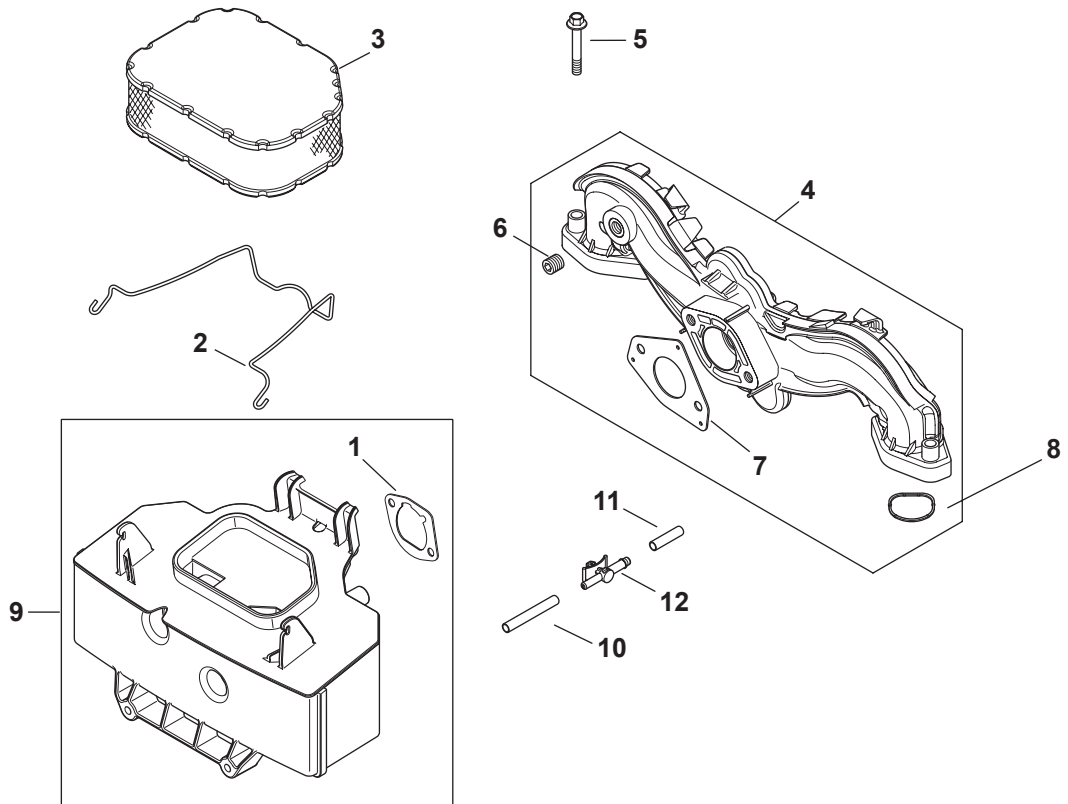
Ref.	Part Number	Description
1	KH-32-027-03-S	Blower Housing Kit (Fixed Guard) (Inc. KH-41-037-10-S)
2	KH-32-096-08-S	Air Cleaner Cover
3	KH-M-545016-S	Flange Screw, M5 x .8 x 16
4	KH-M-645016-S	Flange Screw, M6 x 1.0 x 16
5	KH-32-146-05-S	Backing Plate Kit
6	KH-32-063-12-S	Cylinder Barrel Baffle, #2 Side
7	KH-24-063-94-S	Valley Baffle, #2 Cylinder
8	KH-M-0545010	Flange Screw, M5 x .8 x 10
9	KH-24-063-93-S	Valley Baffle, #1 Cylinder
10	KH-32-063-10-S	Cylinder Barrel Baffle, #1 Side
11	KH-24-086-12	Tap Screw, M6 x 1.7 x 18
12	KH-41-403-10-S	Regulator/Rectifier
13	KH-25-086-158-S	Screw, M6 x 1.0 x 10
NS	KH-41-037-10-S	Service Nameplate



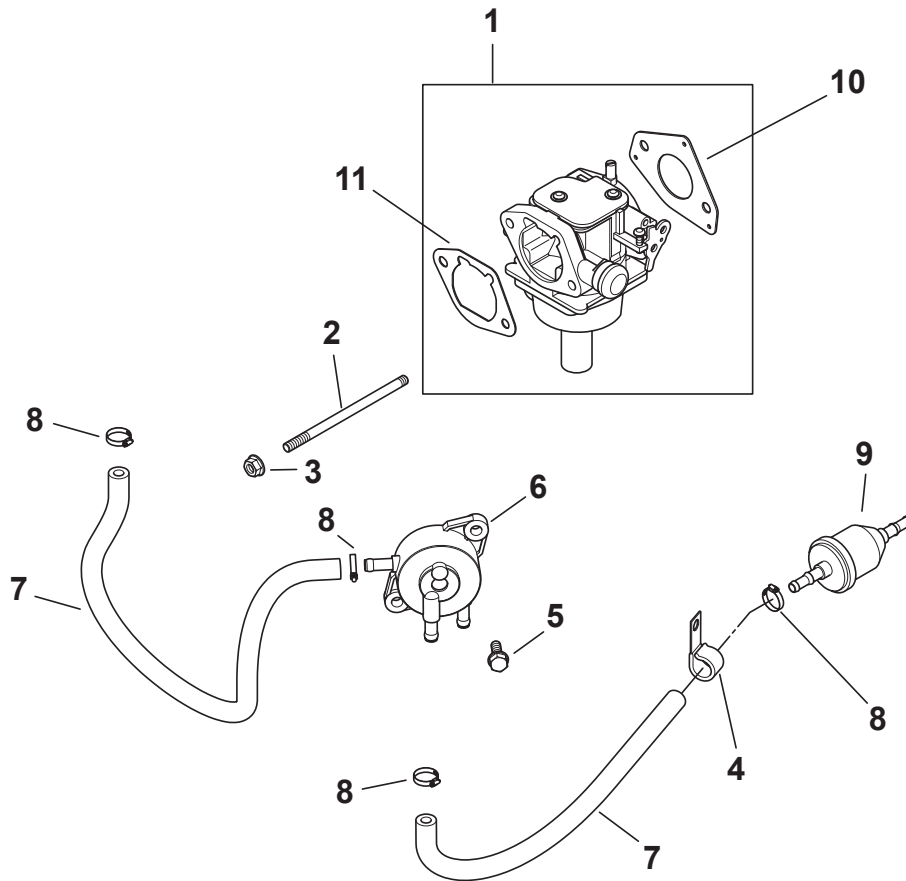
Ref.	Part-Number	Description
1	KH-24-089-03	Choke Return Spring
2	KH-24-112-27-S	Spacer
3	KH-32-126-04-S	Control Bracket
4	KH-24-468-01	Flat Washer, 5.5mm
5	KH-25-086-151-S	Screw, M5 x 0.8 x 25mm
6	KH-32-089-03-S	Speed Control Spring
7	KH-32-090-07-S	Governor Spring Lever
8	KH-32-090-08-S	Speed Control Lever
9	KH-32-090-09-S	Speed Setting Lever
10	KH-32-090-12-S	Choke Lever
11	KH-41-468-03	Spring Washer, ¼
12	KH-M-545016-S	Flange Screw, M5 x .8 x 16
13	KH-M-547050-S	Lock Nut, M5 x 8

Ref.	Part-Number	Description
14	KH-M-645016-S	Flange Screw, M6 x 1.0 x 16
15	KH-24-211-03-S	Bolt, M6 x 1.0 x 25
16	KH-24-090-51-S	Governor Lever
17	KH-M-641060-S	Flange Nut, M6 x 1.0
18	KH-12-237-01	Cable Clamp
19	KH-24-086-43-S	Screw, M5 x .8 x 16
20	KH-24-089-01	Linkage Spring
21	KH-24-079-22-S	Choke Linkage
22	KH-24-089-55-S	Governor Spring
23	KH-24-089-25-S	Governor Spring
24	KH-24-079-04	Throttle Linkage
25	KH-25-158-08	Linkage Retaining Bushing
26	KH-25-158-11	Throttle Linkage Bushing

Kohler SV725 Air Intake/Filtration

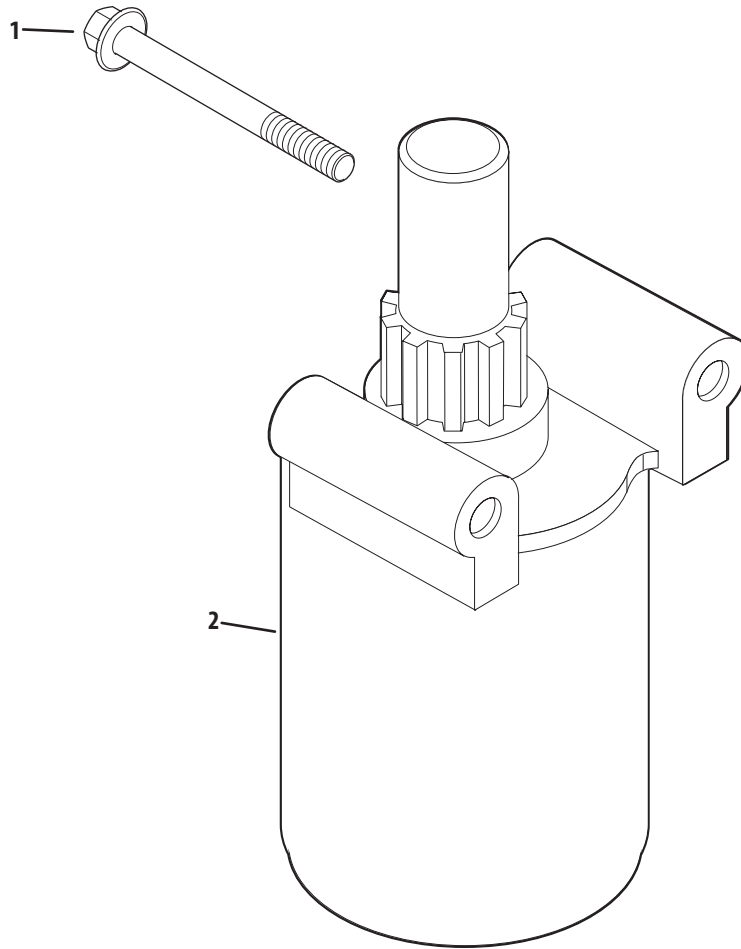


Ref.	Part Number	Description
1	KH-24-041-14	Air Cleaner Base Gasket
2	KH-32-344-02-S	Air Cleaner Element Latch
3	KH-32-883-03-S1	Air Filter Element
4	KH-24-164-91-S	Intake Manifold Kit
5	KH-M-651040-S	Screw, M6 x 1.0 x 40
6	KH-25-139-60-S	Pipe Plug, 1/8
7	KH-24-041-52-S	Carburetor Gasket
8	KH-24-153-27-S	O-Ring, Intake Port
9	KH-32-094-08-S	Air Cleaner Base
10	KH-25-326-08-S	Evaporative Hose, 20"
11	KH-25-173-33-S	Masking Cap
12	KH-25-155-51-S	Evaporative Connector



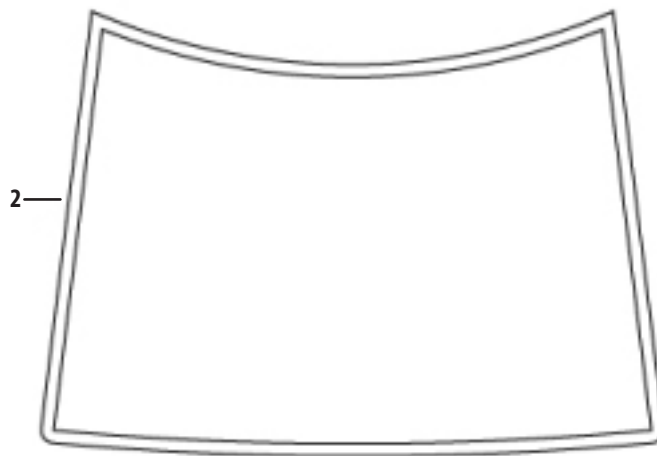
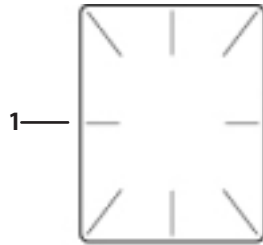
Ref.	Part-Number	Description
1	KH-32-853-25-S	Carburetor Kit
2	KH-M-629105-S	Stud, M6 x 1.0 x 106
3	KH-M-641060-S	Flange Nut, M6 x 1.0
4	KH-47-154-01-S	Cable Clip
5	KH-24-086-12	Screw, M6 x 1.7 x 18
6	KH-24-393-16	Fuel Pump
7	KH-25-111-72-S	Fuel Line
8	KH-25-237-31-S	Hose Clamp, 1/2
9	KH-25-050-22-S1	Fuel Filter
10	KH-24-041-52-S	Carburetor Gasket
11	KH-24-041-14	Air Cleaner Base Gasket

Kohler SV725 Starting System



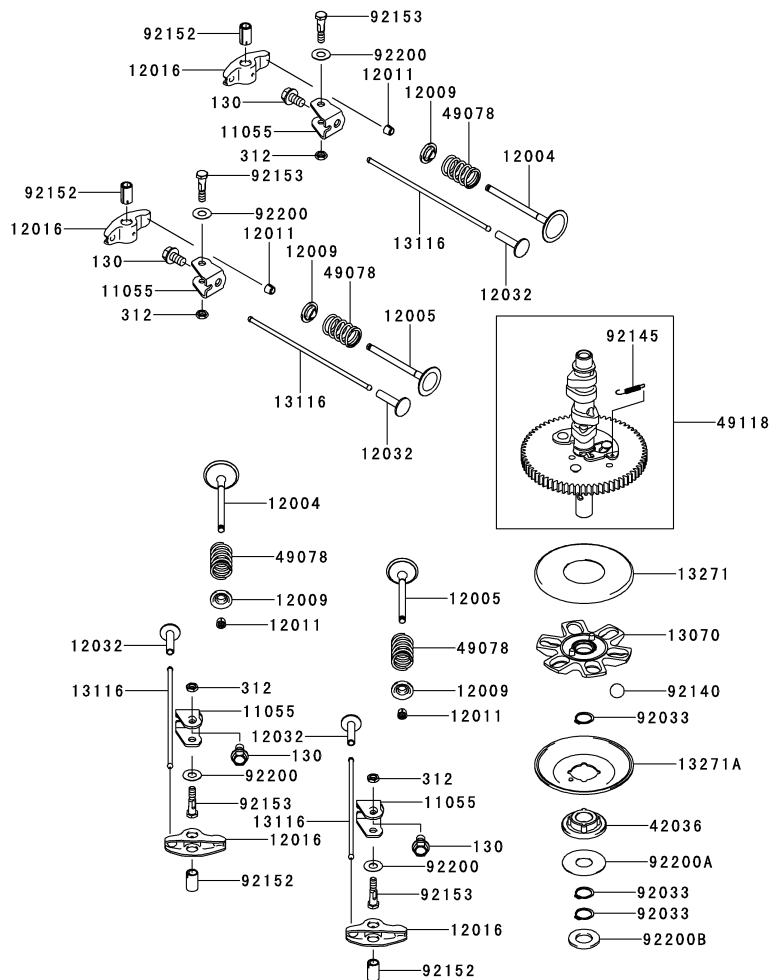
Ref.	Part Number	Description
1	KH-32-098-03-S	Starter Assembly
2	KH-M-851080-S	Flange Screw, M8 x 1.25 x 80
—	KH-12-243-04-S	Brush Assembly
—	KH-12-755-39-S	Drive Kit w/Gear
—	KH-32-211-01-S	Thru Bolt
—	KH-32-227-01-S	End Cap

Kohler SV725 Miscellaneous



Ref.	Part Number	Description
1	KH-25-113-39-S	Clear Laminate Decal
2	KH-32-113-39-S	Decal, 24 HP

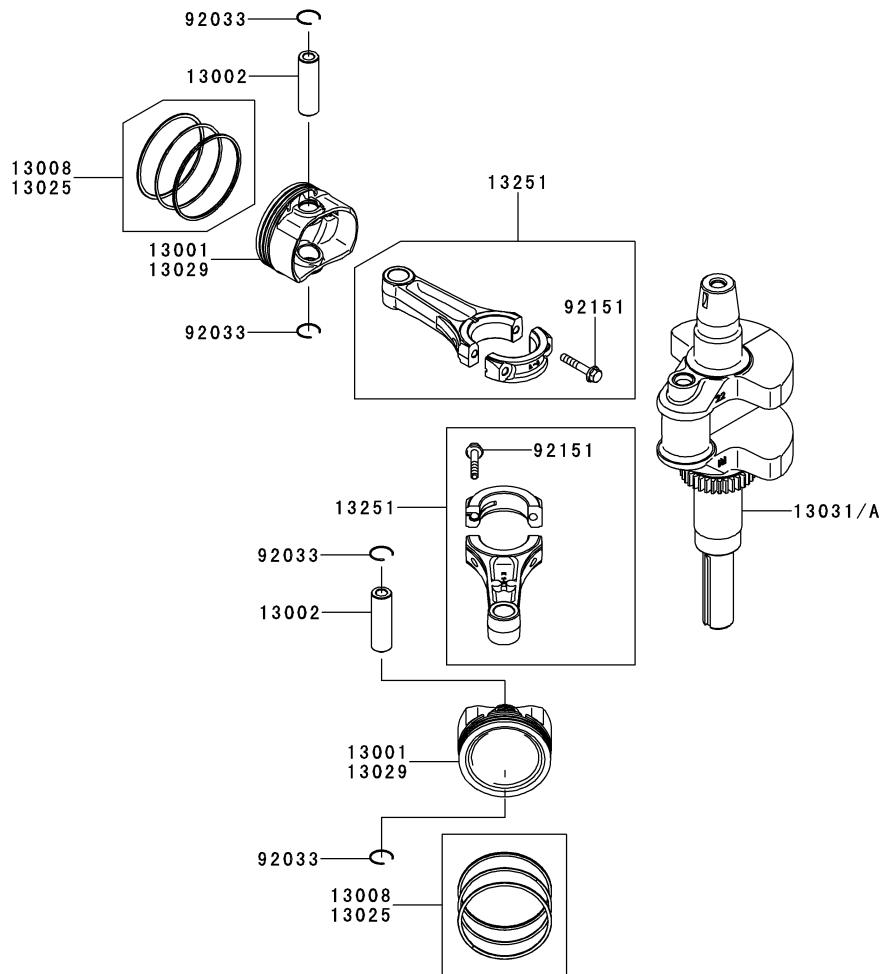
Kawasaki FR691V-AS17 Valve/Camshaft



Ref.	Part Number	Description
11055	KM-11055-7009	Bracket
12004	KM-12004-7008	Intake Valve
12005	KM-12005-7009	Exhaust Valve
12009	KM-12009-7001	Valvespring Retainer
12011	KM-12011-2056	Collet
12016	KM-12016-2066	Rocker Arm
12032	KM-12032-7001	Tappet
13070	KM-13070-7017	Governor Guide
13116	KM-13116-7007	Push Rod
13271	KM-13271-7007	Plate
13271A	KM-13271-7021	Governor Plate
42036	KM-42036-7021	Sleeve

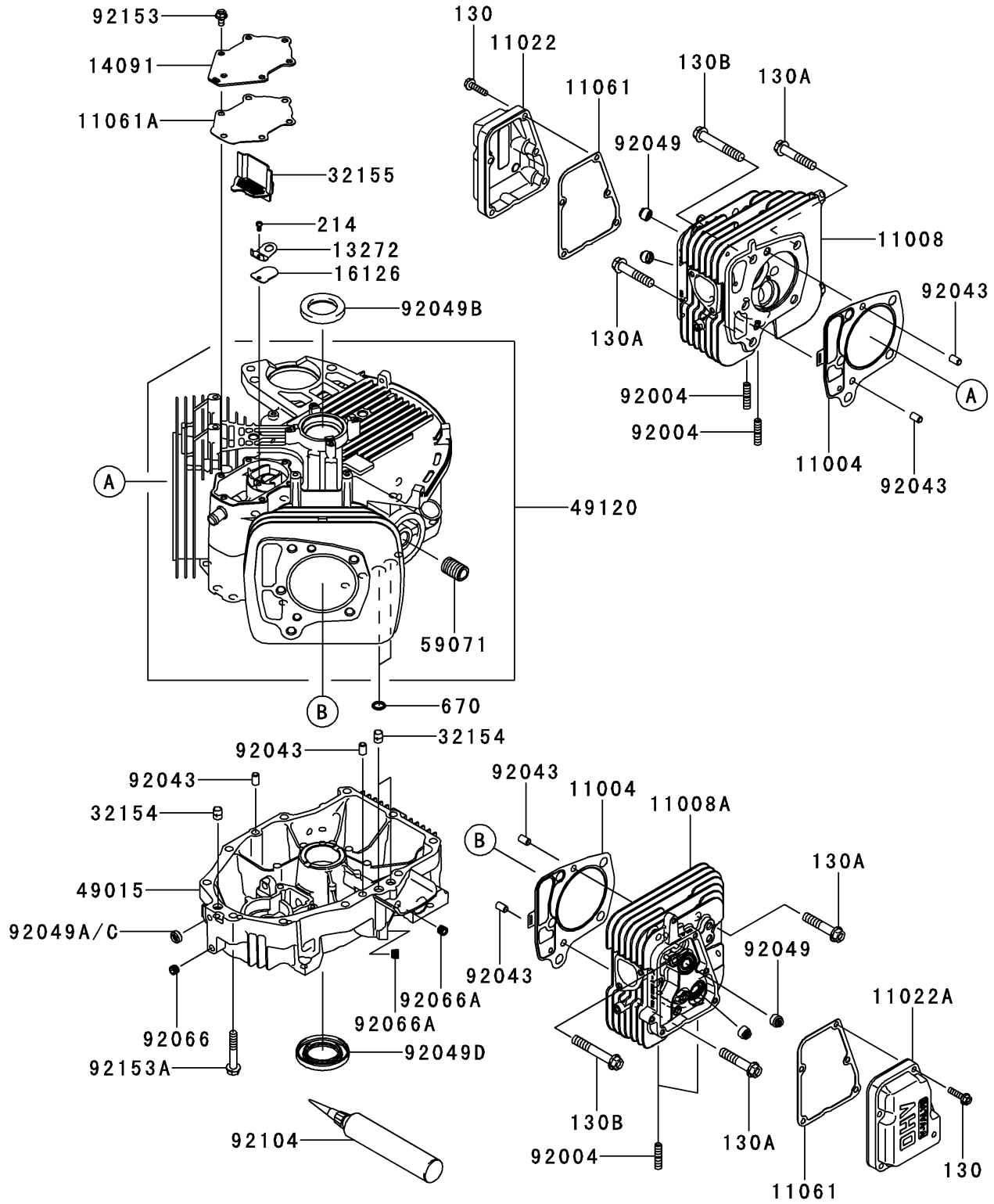
Ref.	Part Number	Description
49078	KM-49078-7002	Engine Valve Spring, IN
49118	KM-49118-7022	Complete Camshaft
92033	KM-92033-7001	Snap Ring
92140	KM-92140-7005	Ball
92145	KM-92145-7001	Spring
92152	KM-92152-7020	Collar
92153	KM-92153-7100	Bolt, 6 X 29.5
92200	KM-92200-2151	Washer, 8.1 X 18 X 0.5
92200A	KM-92200-7009	Washer, 16 X 42 X 0.91
92200B	KM-92200-7048	Washer, 16.3 X 30 X 2.28
130	KM-130AA0814	Flanged Bolt, 8 X 14
312	KM-312AA0600	Hex Nut, 6mm

Kawasaki FR691V-AS17 Piston/Crankshaft



Ref.	Part Number	Description
13001	KM-13001-7027	Engine Piston
13002	KM-13002-0704	Piston Pin
13008	KM-13008-7005	Piston Ring Set
13025	KM-13025-7009	Piston Ring Set, L ,0.5
13029	KM-13029-7010	Engine Piston, L, 0.5
13031	KM-13031-0747	Complete Crankshaft
13031A	KM-13031-7084	Complete Crankshaft
13251	KM-13251-7025	Connecting Rod Assembly
92033	KM-92033-7018	Snap Ring
92151	KM-92151-7017	Bolt, 6 X 35

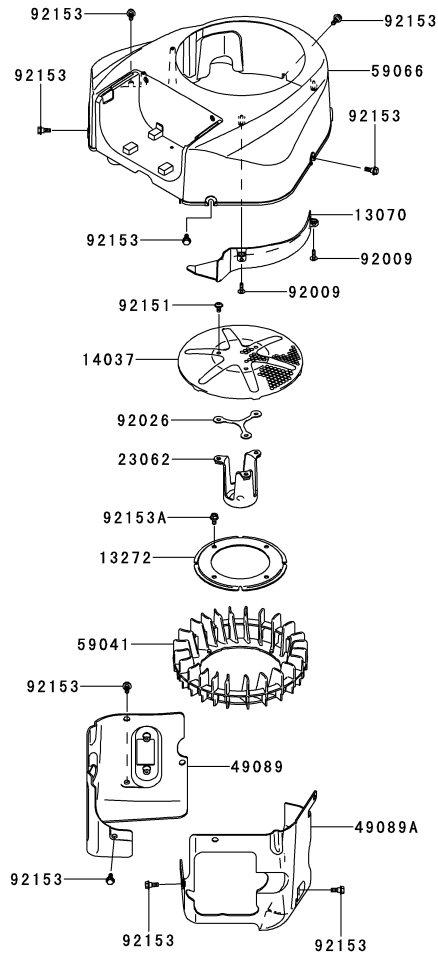
Kawasaki FR691V-AS17 Cylinder/Crankcase



Kawasaki FR691V-AS17 Cylinder/Crankcase

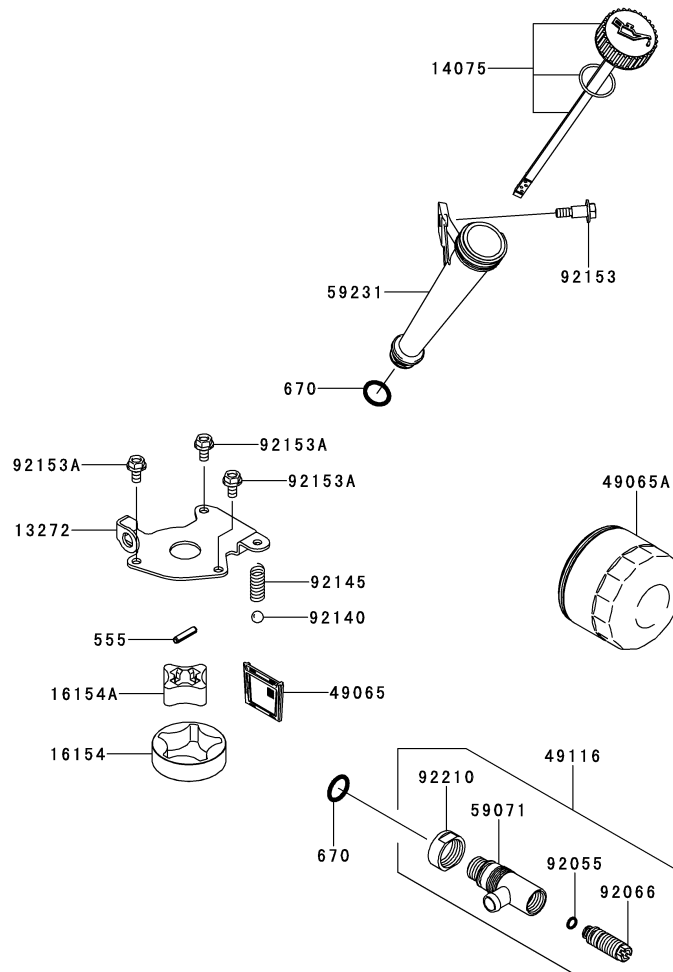
Ref.	Part Number	Description
11004	KM-11004-7026	Head Gasket
11008	KM-11008-7039	Complete Cylinder Head, #1
11008A	KM-11008-7040	Complete Cylinder Head, #2
11022	KM-11022-0710	Rocker Case, #1
11022A	KM-11022-0711	Rocker Case, #2
11061	KM-11061-7083	Rocker Case Gasket
11061A	KM-11061-7094	Breather Gasket
13272	KM-13272-1374	Breather Plate
14091	KM-14091-7064	Breather Cover
16126	KM-16126-7020	Breather Valve
32154	KM-32154-7019	Pipe
32155	KM-32155-7003	Breather Pipe
49015	KM-49015-7106	Crankcase Cover
49120	KM-49120-0733	Complete Crankcase
59071	KM-59071-7025	Joint
92004	KM-92004-7024	Stud, 8x30
92043	KM-92043-1263	Pin
92049	KM-92049-7001	Oil Seal, RVC 26 x 11 x 10.2
92049A	KM-92049-7005	Oil Seal, SO 8 x 14 x 5 HS
92049B	KM-92049-7010	Oil Seal, SD 35 x 48 x 8 RHS
92049C	KM-92049-7019	Oil Seal, 8 x 14 x 5 HS
92049D	KM-92049-7028	Oil Seal, 38 x 62 x 8 MTCLV
92066	KM-92066-7023	Plug
92066A	KM-92066-7026	Plug
92104	KM-92104-7001	Gasket, TB1217H
92153	KM-92153-7043	Bolt, 6 x 12
92153A	KM-92153-7054	Bolt, 8 x 50
130	KM-130AA0625	Flanged Bolt, 6 x 25
130A	KM-130CA1050	Flanged Bolt, 10 x 50
130B	KM-130CA1065	Flanged Bolt, 10 x 65
214	KM-214AA0408	Pan Screw +-, 4 x 8
670	KM-670B2011	O-Ring, 11mm

Kawasaki FR691V-AS17 Cooling Equipment



Ref.	Part Number	Description
13070	KM-13070-7019	Cooling Air Guide
13272	KM-13272-7006	Fan Plate
14037	KM-14037-70089H	Screen
23062	KM-23062-7022	Complete Bracket
49089	KM-49089-7079	Engine Shroud
49089A	KM-49089-7080	Engine Shroud
59041	KM-59041-7014	Fan
59066	KM-59066-7052	Fan Housing
92009	KM-92009-2303	Screw
92026	KM-92026-7007	Spacer
92151	KM-92151-7012	Bolt, 6 X 12
92153	KM-92153-7007	Bolt
92153A	KM-92153-7043	Bolt, 6 X 12

Kawasaki FR691V-AS17 Lubrication Equipment

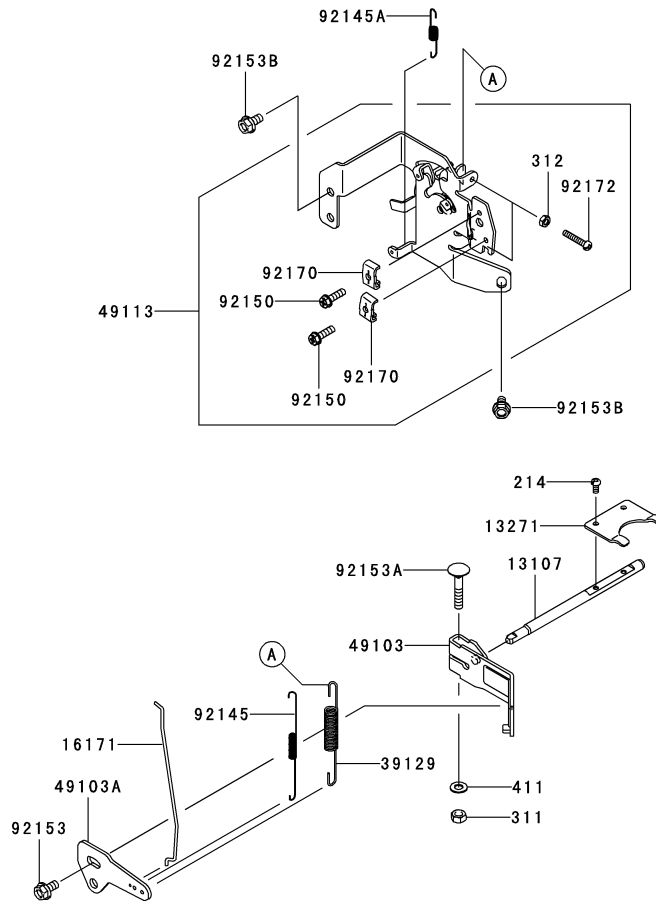


Ref.	Part Number	Description
13272	KM-13272-7011	Rotor Plate
14075	KM-14075-7013	Oil Gauge Cap Assembly
16154	KM-16154-7010	Outer Pump Rotor
16154A	KM-16154-7011	Inner Pump Rotor
49065	KM-49065-7006	Oil Filter
49065A	KM-49065-7007	Oil Filter
49116	KM-49116-7001	Valve Assembly
59071	KM-59071-7008	Joint
59231	KM-59231-0712	Filler

Ref.	Part Number	Description
92055	KM-92055-7002	O-Ring, 6MM
92066	KM-92066-7007	Plug
92140	KM-92140-7003	Ball
92145	KM-92145-7002	Spring
92153	KM-92153-7008	Bolt
92153A	KM-92153-7043	Bolt, 6 X 12
92210	KM-92210-7012	Nut, M22
555	KM-555A0420	Spring Pin, 4 X 20
670	KM-670D2016	O-Ring, 16mm

Kawasaki FR691V-AS17 Control Equipment

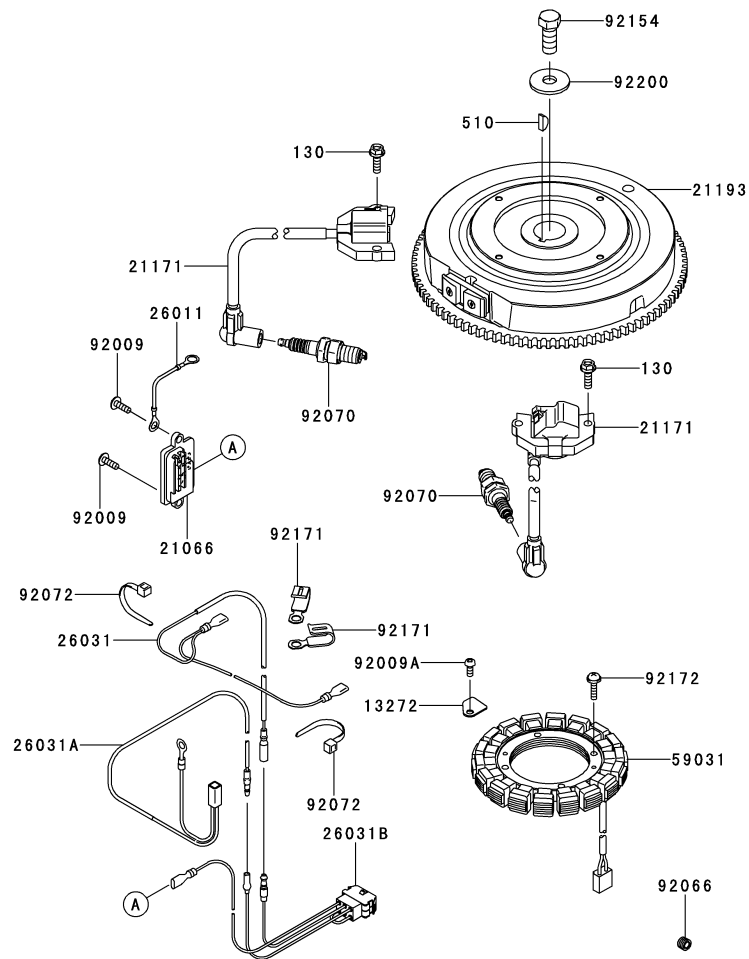
E0170-A652A



Ref.	Part Number	Description
13107	KM-13107-7047	Shaft
13271	KM-13271-7038	Plate
16171	KM-16171-7022	Link
39129	KM-39129-7035	Governor Spring
49103	KM-49103-7014	Governor Arm
49103A	KM-49103-7015	Governor Arm
49113	KM-49113-0727	Complete Control Panel
92145	KM-92145-7057	Spring
92145A	KM-92145-7058	Spring
92150	KM-92150-2182	Bolt, 5 X 18

Ref.	Part Number	Description
92153	KM-92153-0009	Bolt, 6 X 12
92153A	KM-92153-7033	Bolt, 6 X 35
92153B	KM-92153-7043	Bolt, 6 X 12
92170	KM-92170-7001	Clamp
92172	KM-92172-0792	Screw, 5 X 35
214	KM-214AA0408	Pan Screw +-, 4 X 8
311	KM-311AA0600	Hex Nut, 6mm
312	KM-312AA0500	Hex Nut, 5mm
411	KM-411AA0600	Plain Washer, 6mm

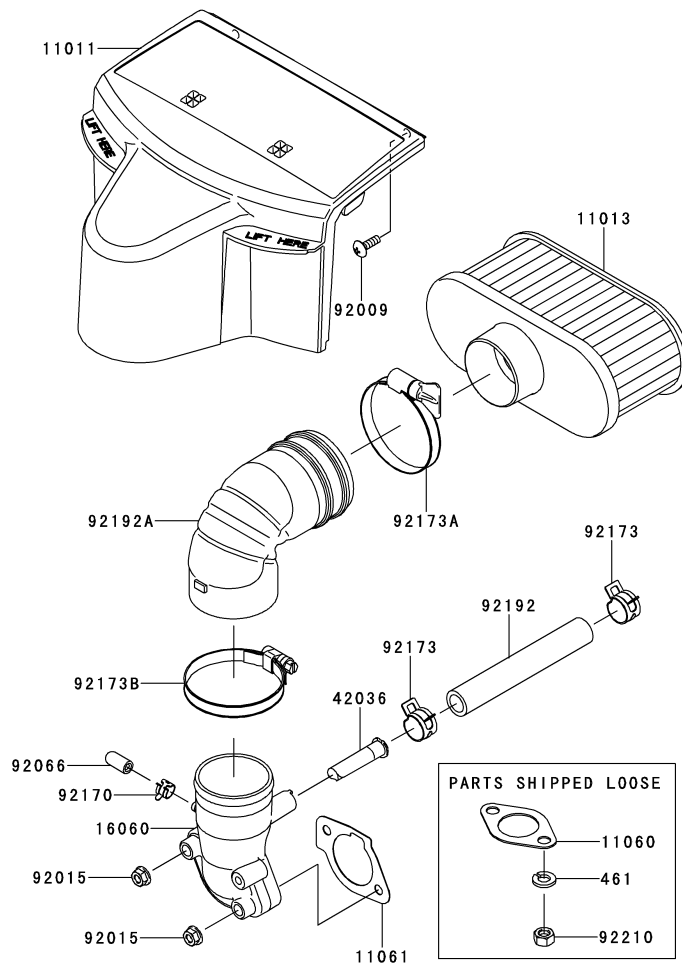
Kawasaki FR691V-AS17 Electric Equipment



Ref.	Part Number	Description
13272	KM-13272-7012	Plate
21066	KM-21066-7017	Voltage Regulator
21171	KM-21171-0711	Ignition Coil Assembly
21193	KM-21193-7038	Flywheel Assembly
26011	KM-26011-7025	Lead Wire, L = 95
26031	KM-26031-7040	Harness
26031A	KM-26031-7041	Harness
26031B	KM-26031-7044	Harness
59031	KM-59031-7017	Charging Coil
92009	KM-92009-2303	Screw

Ref.	Part Number	Description
92009A	KM-92009-2308	Screw
92066	KM-92066-7026	Plug
92070	KM-BPR4ES	Spark Plug
92072	KM-92072-7003	Band
92154	KM-92154-7003	Bolt, 12 X 30
92171	KM-92171-7008	Clamp
92172	KM-92172-7018	Screw, 5 X 20
92200	KM-92200-7002	Washer
130	KM-130AA0620	Flanged Bolt, 6 X 20
510	KM-510A5100	Woodruff Key

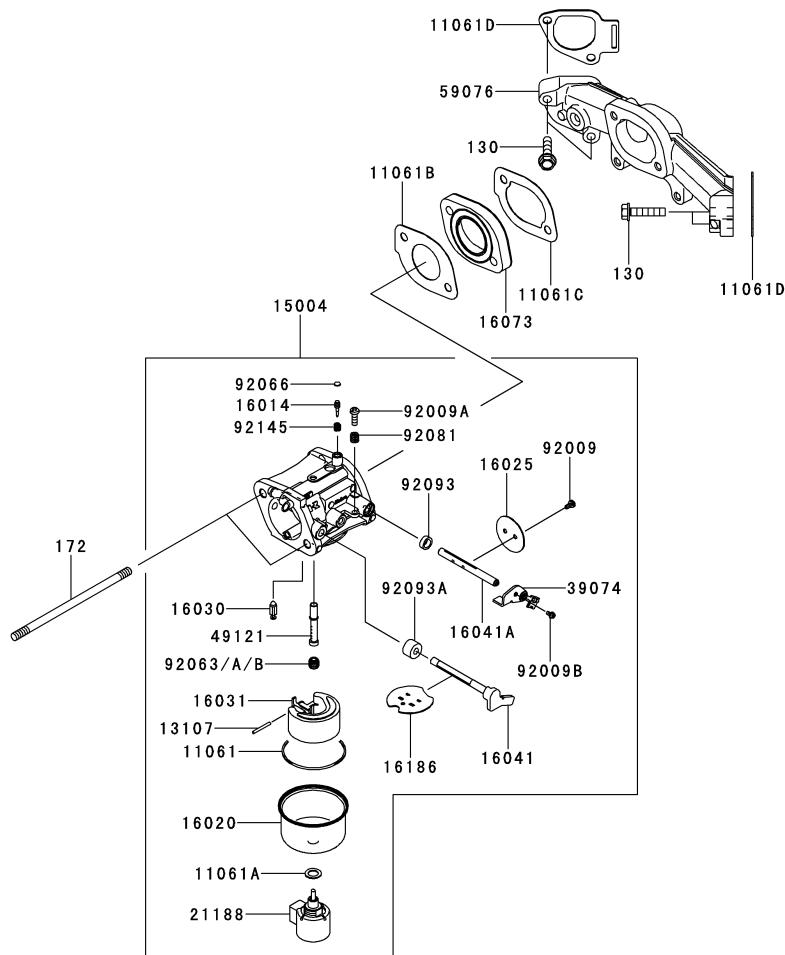
Kawasaki FR691V-AS17 Air Filter/Muffler



Ref.	Part Number	Description
11011	KM-11011-7054	Air Filter Case
11013	KM-11013-7049	Air Filter Element
11060	KM-11060-7016	Muffler Gasket
11061	KM-11061-7086	Carburetor/Pipe Intake Gasket
16060	KM-16060-7038	Intake Pipe
42036	KM-42036-7022	Breather Sleeve
92009	KM-92009-2303	Screw
92015	KM-92015-1367	Nut
92066	KM-92066-0095	Plug

Ref.	Part Number	Description
92170	KM-92170-2042	Clamp
92173	KM-92173-7003	Clamp
92173A	KM-92173-7007	Clamp
92173B	KM-92173-7007	Clamp
92192	KM-92192-7146	Tube, 12.6 X 18.6 X 118
92192A	KM-92192-7165	Air Filter Tube
92210	KM-92210-7027	Nut, M8
461	KM-461DA0800	Spring Washer, 8mm

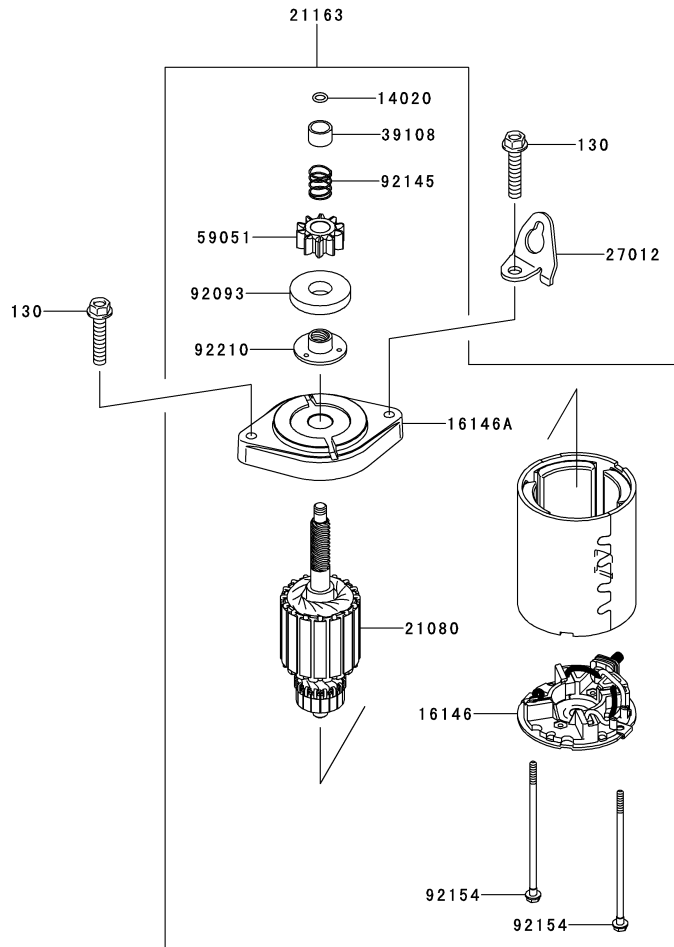
Kawasaki FR691V-AS17 Carburetor



Ref.	Part Number	Description
11061	KM-11061-7009	Chamber Gasket
11061A	KM-11061-7010	Screw Gasket
11061B	KM-11061-7087	Insulator Gasket
11061C	KM-11061-7088	Insulator/Manifold Gasket
11061D	KM-11061-7093	Manifold Gasket
13107	KM-13107-7018	Shaft
15004	KM-15004-7063	Carburetor Assembly
16014	KM-16014-7010	Pilot Air Screw
16020	KM-16020-7003	Float Chamber
16025	KM-16025-7017	Throttle Valve
16030	KM-16030-7003	Float Valve
16031	KM-16031-7002	Float
16041	KM-16041-7050	Choke Carburetor Shaft
16041A	KM-16041-7051	Throttle Carburetor Shaft
16073	KM-16073-7013	Insulator
16186	KM-16186-7006	Choke Valve Assembly
21188	KM-21188-7002	Solenoid

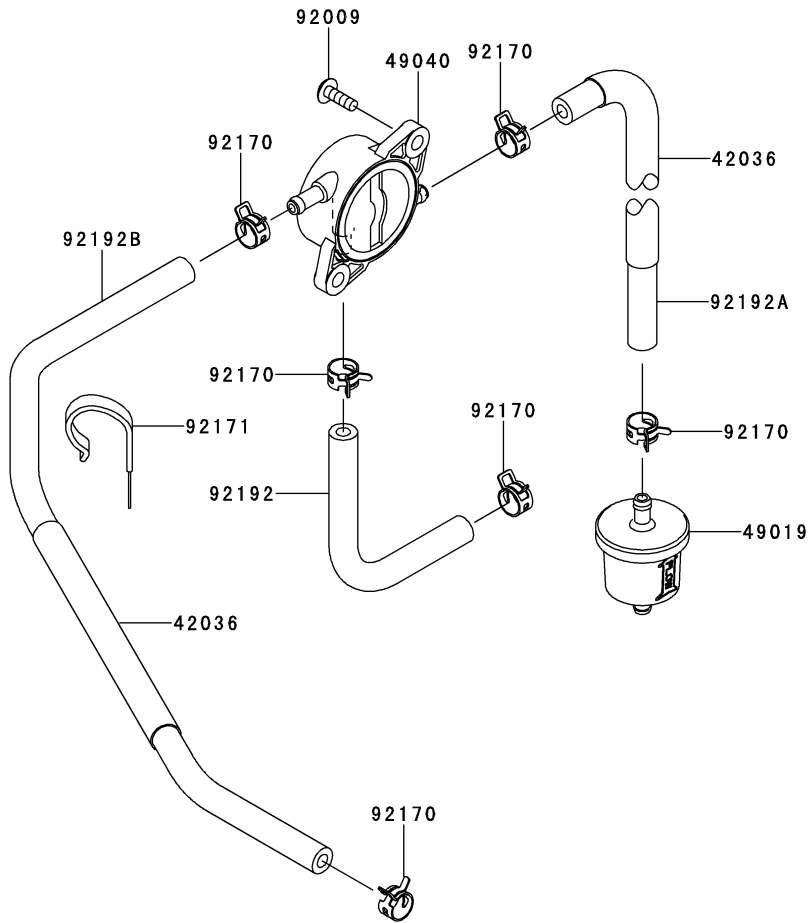
Ref.	Part Number	Description
39074	KM-39074-7001	Throttle Lever Assembly
49121	KM-49121-7018	Main Nozzle
59076	KM-59076-7019	Intake Manifold
92009	KM-92009-2083	Screw
92009A	KM-92009-2349	Screw
92009B	KM-92009-2402	Screw
92063	KM-92063-7141	Main Jet, #122
92063A	KM-92063-7142	Main Jet, #124
92063B	KM-92063-7149	Main Jet, #120
92066	KM-92066-7032	Plug
92081	KM-92081-2234	Spring
92093	KM-92093-2100	Seal
92093A	KM-92093-7003	Seal
92145	KM-92145-2122	Spring
130	KM-130AA0630	Flanged Bolt, 6 X 30
172	KM-172BA06115	Stud Bolt, 6 X 115

Kawasaki FR691V-AS17 Starter



Ref.	Part Number	Description
14020	KM-14020-7002	Retainer
16146	KM-16146-7027	Cover Assembly
16146A	KM-16146-7030	Cover Assembly
21080	KM-21080-0003	Armature
21163	KM-21163-0714	Electric Starter
27012	KM-27012-7008	Hook
39108	KM-39108-0552	Spring Retainer
59051	KM-59051-7034	Spur Gear
92093	KM-92093-7007	Seal
92145	KM-92145-7060	Spring
92154	KM-92154-7001	Bolt
92210	KM-92210-7017	Nut
130	KM-130AA0840	Flanged Bolt, 8 X 40

Kawasaki FR691V-AS17 Fuel Tank/Fuel Valve



Ref.	Part Number	Description
42036	KM-42036-7015	Sleeve
49019	KM-49019-7005	Fuel Filter
49040	KM-49040-7008	Fuel Pump
92009	KM-92009-2303	Screw
92170	KM-92170-2009	Clamp
92171	KM-92171-7005	Clamp
92192	KM-92192-7148	Tube, 6.4 X 12.7 X 150
92192A	KM-92192-7172	Tube, 6.35 X 12.7 X 185
92192B	KM-92192-7188	Tube, 6.35 X 12.7 X 390

Kawasaki FR691V-AS17 Engine Labels

56033



56071



56080



Ref.	Part Number	Description
56033	KM-56033-7001	Manual Label
56071	KM-56071-0216	Warning Label
56080	KM-56080-0815	Brand Label



To order replacement parts, call a Customer Support Representative at (800) 965-4CUB.
Locate your nearest Cub Cadet dealer at (877) 282-8684
or visit www.cubcadet.com to find the nearest Cub Cadet dealer in your area.

CUB CADET LLC, P.O. BOX 361131 CLEVELAND, OHIO 44136-0019

Free Manuals Download Website

<http://myh66.com>

<http://usermanuals.us>

<http://www.somanuals.com>

<http://www.4manuals.cc>

<http://www.manual-lib.com>

<http://www.404manual.com>

<http://www.luxmanual.com>

<http://aubethermostatmanual.com>

Golf course search by state

<http://golfingnear.com>

Email search by domain

<http://emailbydomain.com>

Auto manuals search

<http://auto.somanuals.com>

TV manuals search

<http://tv.somanuals.com>