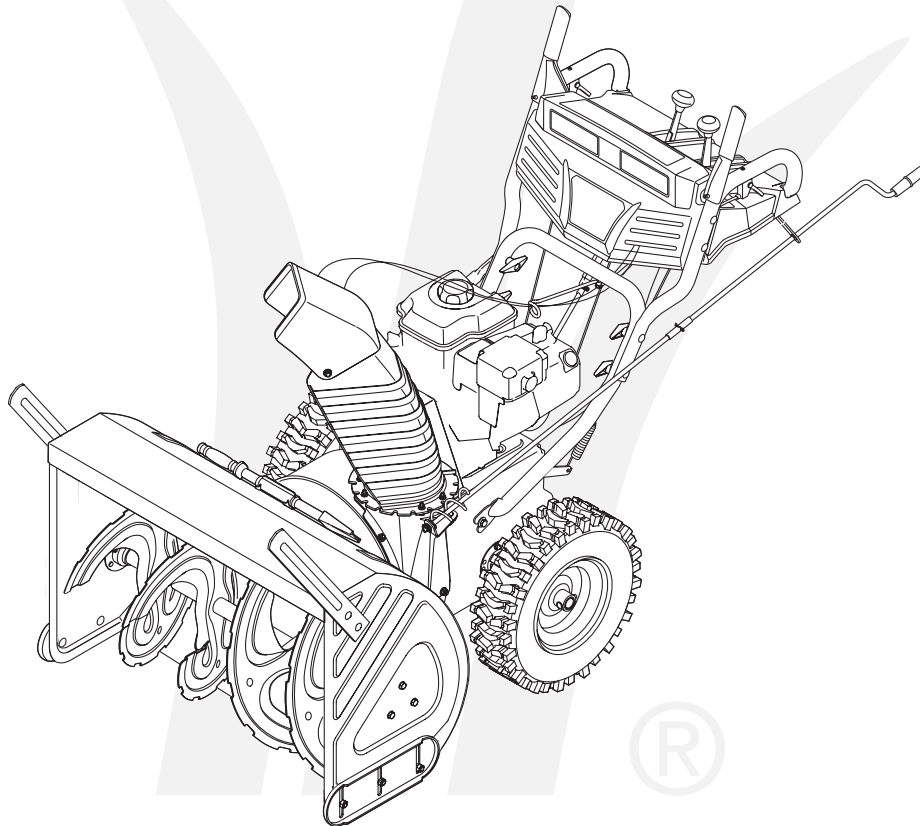


OPERATOR'S MANUAL



28", 30", 33" & 45" Two-Stage Snow Throwers

**IMPORTANT:
READ SAFETY RULES AND
INSTRUCTIONS CAREFULLY
BEFORE OPERATION**

This Operator's Manual is an important part of your new snow thrower. It will help you assemble, prepare and maintain the unit for best performance. Please read and understand what it says.


Table of Contents

Safety Symbols.....	3	Maintaining Your Snow Thrower.....	16
Safe Operation Practices.....	4	Off-Season Storage.....	20
Setting Up Your Snow Thrower.....	6	Trouble Shooting.....	21
Operating Your Snow Thrower.....	10	Warranty.....	22
Making Adjustments.....	14	Illustrated Parts Lists.....	24

Finding and Recording Model Number

BEFORE YOU START ASSEMBLING YOUR NEW EQUIPMENT, please locate the model plate on the equipment and copy the model number and the serial number to the sample model plate provided to the right. You can locate the model plate by standing at the operating position and looking down at the frame.

Model Number Numéro de modèle	Serial Number Numéro de série
XXX-XXXXXX	XXXXXXXXXXXX

 CUB CADET CANADA
KITCHENER, ON N2G 4J1

Customer Support

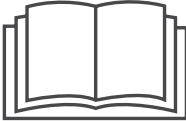







Please do **NOT** return the unit to the retailer from which it was purchased, without first contacting Customer Support.

If you have difficulty assembling this product or have any questions regarding the controls, operation or maintenance of this unit, you can seek help from the experts. Choose from the options below:

1. Visit www.cubcadet.ca/cubcadet for many useful suggestions, click on Customer Support button.
2. Call a Customer Support Representative at **1-800-668-1238**.
3. The engine manufacturer is responsible for all engine-related issues in terms of performance, power-rating, specifications, warranty, and service. Depending on the engine manufacturer, more information is included in this publication or packed separately with this product.

Please have your unit's model number and serial number ready when you call. See previous section to locate this information. You will be asked to enter the serial number in order to process your call.

This page depicts and describes safety symbols that may appear on this product. Read, understand, and follow all instructions on the machine before attempting to assemble and operate.

Symbol	Description
	READ THE OPERATOR'S MANUAL(S) Read, understand, and follow all instructions in the manual(s) before attempting to assemble and operate.
	WARNING— ROTATING BLADES Keep hands out of inlet and discharge openings while machine is running. There are rotating blades inside.
	WARNING— ROTATING BLADES Keep hands out of inlet and discharge openings while machine is running. There are rotating blades inside.
	WARNING— ROTATING AUGER Do not put hands or feet near rotating parts, in the auger/impeller housing or chute assembly. Contact with the rotating parts can amputate hands and feet.
	WARNING—THROWN OBJECTS This machine may pick up and throw and objects which can cause serious personal injury.
	WARNING—GASOLINE IS FLAMMABLE Allow the engine to cool at least two minutes before refueling.
	WARNING— CARBON MONOXIDE Never run an engine indoors or in a poorly ventilated area. Engine exhaust contains carbon monoxide, an odorless and deadly gas.
	WARNING— ELECTRICAL SHOCK Do not use the engine's electric starter in the rain.

1

Safety Symbols



WARNING

This symbol points out important safety instructions which, if not followed, could endanger the personal safety and/or property of yourself and others. Read and follow all instructions in this manual before attempting to operate this machine. Failure to comply with these instructions may result in personal injury. When you see this symbol, **HEED ITS WARNING!**

Your Responsibility
Restrict the use of this power machine to persons who read, understand and follow the warnings and instructions in this manual and on the machine.

2

Safe Operation Practices



WARNING

This symbol points out important safety instructions which, if not followed, could endanger the personal safety and/or property of yourself and others. Read and follow all instructions in this manual before attempting to operate this machine. Failure to comply with these instructions may result in personal injury. When you see this symbol, HEED

ITS WARNING!

Your Responsibility

Restrict the use of this power machine to persons who read, understand and follow the warnings and instructions in this manual and on the machine.



WARNING: Engine Exhaust, some of its constituents, and certain vehicle components contain or emit chemicals known to State of California to cause cancer and birth defects or other reproductive harm.

DANGER: This machine was built to be operated according to the safe operation practices in this manual. As with any type of power equipment, carelessness or error on the part of the operator can result in serious injury. This machine is capable of amputating hands and feet and throwing objects. Failure to observe the following safety instructions could result in serious injury or death.

Training

1. Read, understand, and follow all instructions on the machine and in the manual(s) before attempting to assemble and operate. Keep this manual in a safe place for future and regular reference and for ordering replacement parts.
2. Be familiar with all controls and their proper operation. Know how to stop the machine and disengage them quickly.
3. Never allow children under 14 years old to operate this machine. Children 14 years old and over should read and understand the instructions and safe operation practices in this manual and on the machine and be trained and supervised by an adult.
4. Never allow adults to operate this machine without proper instruction.
5. Thrown objects can cause serious personal injury. Plan your snow-throwing pattern to avoid discharge of material toward roads, bystanders and the like.
6. Keep bystanders, helpers, pets and children at least 75 feet from the machine while it is in operation. Stop machine if anyone enters the area.
7. Exercise caution to avoid slipping or falling, especially when operating in reverse.

Preparation

Thoroughly inspect the area where the equipment is to be used. Remove all doormats, newspapers, sleds, boards, wires and other foreign objects, which could be tripped over or thrown by the auger/impeller.

1. Always wear safety glasses or eye shields during operation and while performing an adjustment or repair to protect your eyes. Thrown objects which ricochet can cause serious injury to the eyes.
2. Do not operate without wearing adequate winter outer garments. Do not wear jewelry, long scarves or other loose clothing, which could become entangled in moving parts. Wear footwear which will improve footing on slippery surfaces.
3. Use a grounded three-wire extension cord and receptacle for all units with electric start engines.
4. Adjust collector housing height to clear gravel or crushed rock surfaces.
5. Disengage all control levers before starting the engine.
6. Never attempt to make any adjustments while engine is running, except where specifically recommended in the operator's manual.
7. Let engine and machine adjust to outdoor temperature before starting to clear snow.

Safe Handling of Gasoline

To avoid personal injury or property damage use extreme care in handling gasoline. Gasoline is extremely flammable and the vapors are explosive. Serious personal injury can occur when gasoline is spilled on yourself or your clothes, which can ignite. Wash your skin and change clothes immediately.

- a. Use only an approved gasoline container.
- b. Extinguish all cigarettes, cigars, pipes and other sources of ignition.
- c. Never fuel machine indoors.
- d. Never remove gas cap or add fuel while the engine is hot or running.
- e. Allow engine to cool at least two minutes before refueling.
- f. Never over fill fuel tank. Fill tank to no more than ½ inch below bottom of filler neck to provide space for fuel expansion.
- g. Replace gasoline cap and tighten securely.
- h. If gasoline is spilled, wipe it off the engine and equipment. Move machine to another area. Wait 5 minutes before starting the engine.
- i. Never store the machine or fuel container inside where there is an open flame, spark or pilot light (e.g. furnace, water heater, space heater, clothes dryer etc.).
- j. Allow machine to cool at least 5 minutes before storing.
- k. Never fill containers inside a vehicle or on a truck or trailer bed with a plastic liner. Always place containers on the ground away from your vehicle before filling.
- l. If possible, remove gas-powered equipment from the truck or trailer and refuel it on the ground. If this is not possible, then refuel such equipment on a trailer with a portable container, rather than from a gasoline dispenser nozzle.
- m. Keep the nozzle in contact with the rim of the fuel tank or container opening at all times until fueling is complete. Do not use a nozzle lock-open device.

Operation

1. Do not put hands or feet near rotating parts, in the auger/impeller housing or chute assembly. Contact with the rotating parts can amputate hands and feet.
2. The auger/impeller control lever is a safety device. Never bypass its operation. Doing so makes the machine unsafe and may cause personal injury.
3. The control levers must operate easily in both directions and automatically return to the disengaged position when released.
4. Never operate with a missing or damaged chute assembly. Keep all safety devices in place and working.
5. Never run an engine indoors or in a poorly ventilated area. Engine exhaust contains carbon monoxide, an odorless and deadly gas.
6. Do not operate machine while under the influence of alcohol or drugs.
7. Muffler and engine become hot and can cause a burn. Do not touch.
8. Exercise extreme caution when operating on or crossing gravel surfaces. Stay alert for hidden hazards or traffic.
9. Exercise caution when changing direction and while operating on slopes.
10. Plan your snow-throwing pattern to avoid discharge towards windows, walls, cars etc. Thus, avoiding possible property damage or personal injury caused by a ricochet.
11. Never direct discharge at children, bystanders and pets or allow anyone in front of the machine.
12. Do not overload machine capacity by attempting to clear snow at too fast of a rate.
13. Never operate this machine without good visibility or light. Always be sure of your footing and keep a firm hold on the handles. Walk, never run.
14. Disengage power to the auger/impeller when transporting or not in use.
15. Never operate machine at high transport speeds on slippery surfaces. Look down and behind and use care when backing up.
16. If the machine should start to vibrate abnormally, stop the engine, disconnect the spark plug wire and ground it against the engine. Inspect thoroughly for damage. Repair any damage before starting and operating.
17. Disengage all control levers and stop engine before you leave the operating position (behind the handles). Wait until the auger/impeller comes to a complete stop before unclogging the chute assembly, making any adjustments, or inspections.
18. Never put your hand in the discharge or collector openings. Always use the clean-out tool provided to unclog the discharge opening. Do not unclog chute assembly while engine is running. Shut off engine and remain behind handles until all moving parts have stopped before unclogging.
19. Use only attachments and accessories approved by the manufacturer (e.g. wheel weights, tire chains, cabs etc.).
20. When starting engine, pull cord slowly until resistance is felt, then pull rapidly. Rapid retraction of starter cord (kickback) will pull hand and arm toward engine faster than you can let go. Broken bones, fractures, bruises or sprains could result.
21. If situations occur which are not covered in this manual, use care and good judgment. Call customer assistance for the name of your nearest servicing dealer.

Maintenance & Storage

1. Never tamper with safety devices. Check their proper operation regularly. Refer to the maintenance and adjustment sections of this manual.
2. Before cleaning, repairing, or inspecting machine disengage all control levers and stop the engine. Wait until the auger/impeller come to a complete stop. Disconnect the spark plug wire and ground against the engine to prevent unintended starting.
3. Check bolts and screws for proper tightness at frequent intervals to keep the machine in safe working condition. Also, visually inspect machine for any damage.
4. Do not change the engine governor setting or over-speed the engine. The governor controls the maximum safe operating speed of the engine.
5. Snow thrower shave plates and skid shoes are subject to wear and damage. For your safety protection, frequently check all components and replace with original equipment manufacturer's (OEM) parts only. "Use of parts which do not meet the original equipment specifications may lead to improper performance and compromise safety!"
6. Check controls periodically to verify they engage and disengage properly and adjust, if necessary. Refer to the adjustment section in this operator's manual for instructions.
7. Maintain or replace safety and instruction labels, as necessary.
8. Observe proper disposal laws and regulations for gas, oil, etc. to protect the environment.
9. Prior to storing, run machine a few minutes to clear snow from machine and prevent freeze up of auger/impeller.
10. Never store the machine or fuel container inside where there is an open flame, spark or pilot light such as a water heater, furnace, clothes dryer etc.
11. Always refer to the operator's manual for proper instructions on off-season storage.
12. Check fuel line, tank, cap, and fittings frequently for cracks or leaks. Replace if necessary.
13. Do not crank engine with spark plug removed.

Do not modify engine

To avoid serious injury or death, do not modify engine in any way. Tampering with the governor setting can lead to a runaway engine and cause it to operate at unsafe speeds. Never tamper with factory setting of engine governor.

Notice regarding Emissions

Engines which are certified to comply with California and federal EPA emission regulations for SORE (Small Off Road Equipment) are certified to operate on regular unleaded gasoline, and may include the following emission control systems: Engine Modification (EM) Oxidizing Catalyst (OC), Secondary Air Injection (SAI) and Three Way Catalyst (TWC) if so equipped.

Average Useful Life

According to the Consumer Products Safety Commission (CPSC) and the U.S. Environmental Protection Agency (EPA), this product has an *Average Useful Life* of seven (7) years, or 60 hours of operation. At the end of the *Average Useful Life*, have the machine inspected annually by an authorized service dealer to ensure that all mechanical and safety systems are working properly and not worn excessively. Failure to do so can result in accidents, injuries or death.

2

Safe Operation Practices



WARNING

This symbol points out important safety instructions, which if not followed, could endanger the personal safety and/or property of yourself and others. Read and follow all instructions in this manual before attempting to operate this machine. Failure to comply with these instructions may result in personal injury. When you see this symbol, HEED IT'S WARNING!

Your Responsibility
Restrict the use of this power machine to persons who read, understand and follow the warnings and instructions in this manual and on the machine.

05.08.08

3

Setting Up Your Snow Thrower



NOTE: This Operator's Manual covers several models. Snowthrower features vary by model. Not all features referenced in this manual are applicable to all snowthrower models.

NOTE: References to right or left side of the snow thrower are determined from behind the unit in the operating position.

NOTE: Replacement auger shear pins and cotter pins are provided for your convenience. Store these safely until needed.

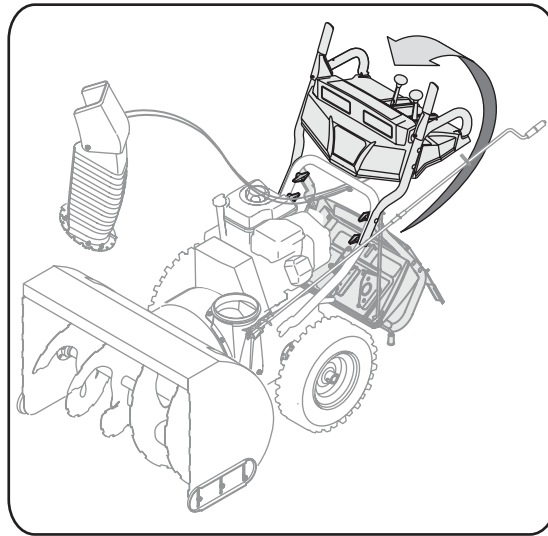


Figure 3-1

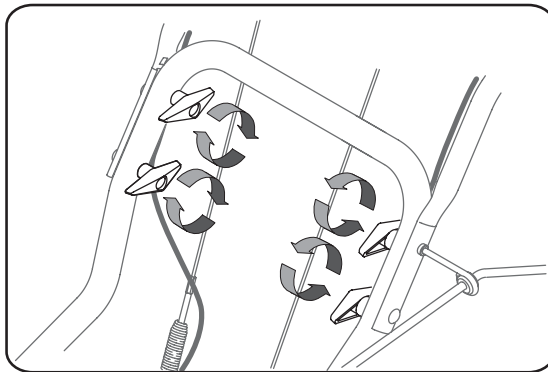


Figure 3-2

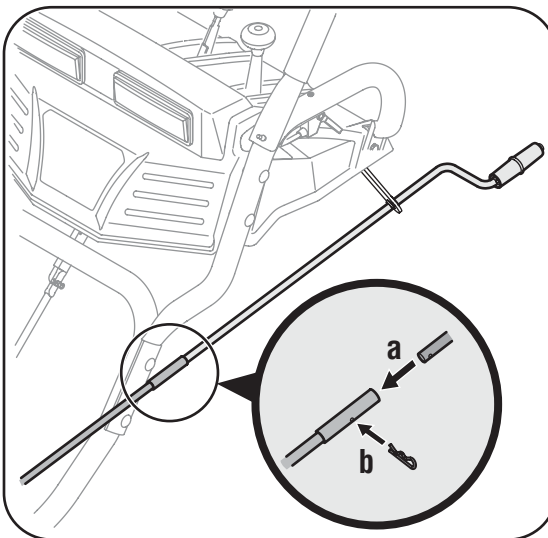


Figure 3-3

IMPORTANT: The snow thrower is shipped with oil and WITHOUT GASOLINE. After assembly, refer to separate engine manual for proper fuel and engine oil recommendations.

Loose Parts

- The augers are secured to the auger shaft with shear pins and bow tie cotter pins. If you hit a foreign object or ice jam, the snow thrower is designed so that the pins may shear. Replacement shear pins and cotter pins are provided for your convenience. Store these safely until needed.

Items Required For Assembly

Pair of pliers 7/16" Wrenches or adjustables
Fresh gasoline

Assembling Handle

- Look at the lower rear of the snow thrower frame to be sure the spring (found at the end of each cable) is attached to its actuator bracket.
- Remove the lower handle knobs, washers and carriage bolts from each side of the upper handle. See Figure 3-2.
- Raise the upper handle assembly until it locks over the lower handle. See Figure 3-1.
- Secure the upper handle and lower handle with the handle knobs, washers and carriage bolts previously removed.
- Tighten the handle knobs already in place on the upper holes and secure the handles firmly.

Attaching Chute Crank

- Remove the hairpin clip from the upper chute crank and slide the upper chute crank into the lower chute crank. A pair of pliers may help in this job. See Figure 3-3.
 - a. Align the two holes on both chute cranks. See Figure 3-3.
 - b. Secure with the hairpin clip removed earlier.

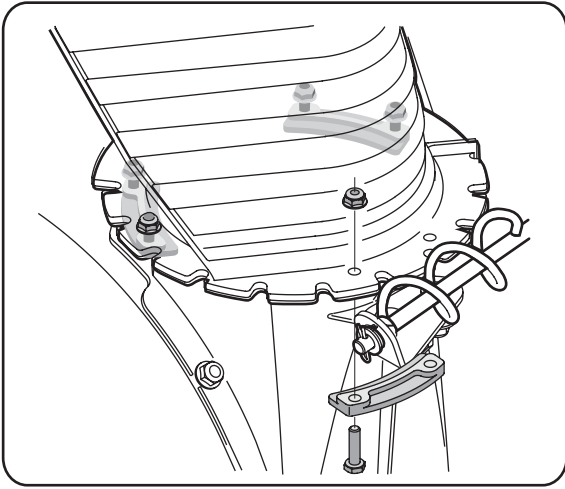


Figure 3-4

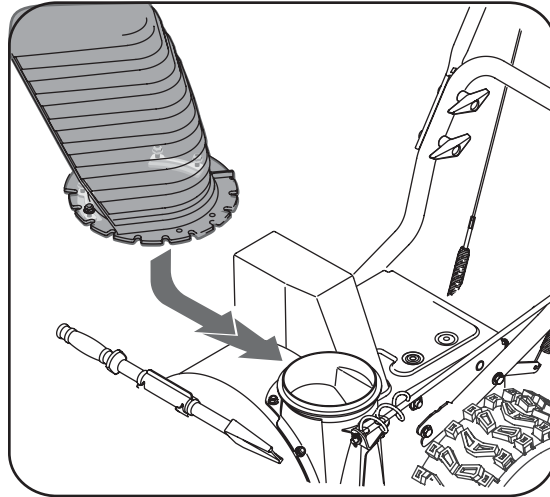


Figure 3-5

Attaching the Chute Assembly

- Remove locknuts and screws securing one of the flange keepers to the chute assembly. See Figure 3-4.
- Loosen but do not remove the locknuts and screws on the other two flange keepers.
- Slide chute assembly over chute opening, making sure the flange keepers are beneath lip of chute adapter. The notches should engage with the spiral end of the chute crank. See Figure 3-5.
- Secure flange keeper, locknuts and screws previously removed. Tighten all flange keepers and hardware with two 7/16" wrenches. Do not over tighten.

NOTE: If necessary the chute crank support bracket can be adjusted so the spiral on the chute crank fully engages the teeth on the chute assembly. Refer to the Adjustment Section.

Attaching the Shift Rod

- Align the upper and lower shift rods, then slide the shift rod connector down over the end of the lower shift rod. Tap the connector until the lower rod is completely through the connector. See Figure 3-6.

NOTE: If the connector is not properly assembled, the shift rod will pivot and you will not be able to change speeds or direction.

NOTE: If the full range of speeds (forward and reverse) cannot be achieved, refer to the Adjustment Section.

- Normally the cable ties holding the steering cables against the handle are loosely installed on each side of the lower handle at the factory. Pull the cable ties tight to secure. Cut the excess from the ends of cable ties.
- If not already attached, slip the cables that run from the handle panel to the discharge chute into the cable guide. See Figure 3-7.

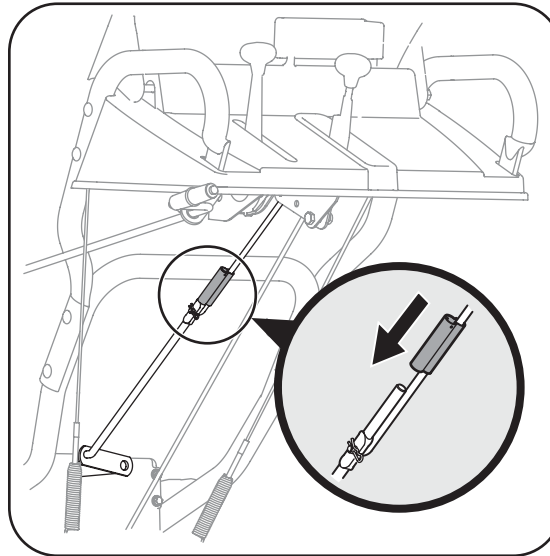


Figure 3-6

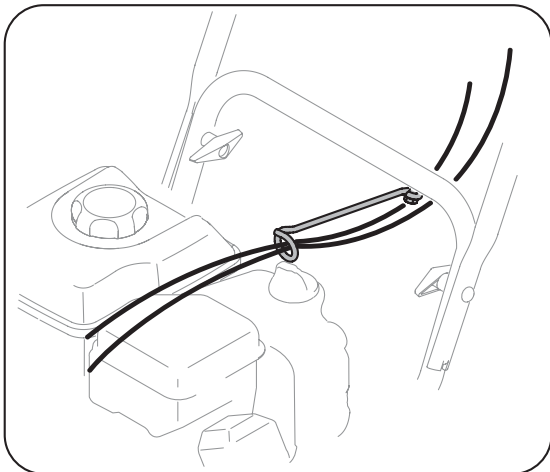


Figure 3-7

3

Setting Up Your Snow Thrower



WARNING

Prior to operating your snow thrower, refer to Auger Control on page 9. Read and follow all instructions carefully and perform all adjustments to verify your unit is operating safely and properly.

3

Setting Up Your Snow Thrower



WARNING

Never use your hands to clean snow and ice from the chute assembly or auger housing.



IMPORTANT

Under any circumstance do not exceed manufacturer's recommended psi. Equal tire pressure should be maintained at all times. Excessive pressure when seating beads may cause tire/rim assembly to burst with force sufficient to cause serious injury. Refer to sidewall of tire for recommended pressure.

Lamp Wiring

- Wrap the wire from the head lamp down the right handle until the wire can be plugged into the alternator lead wire under the fuel tank. See Figure 3-8.

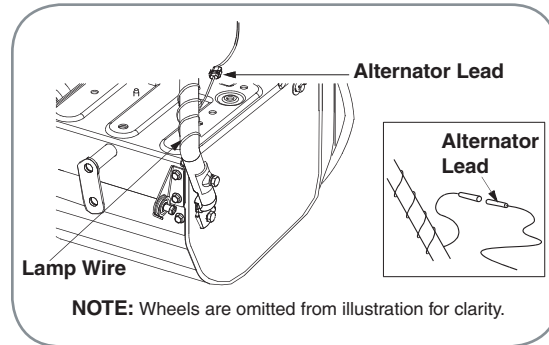


Figure 3-8

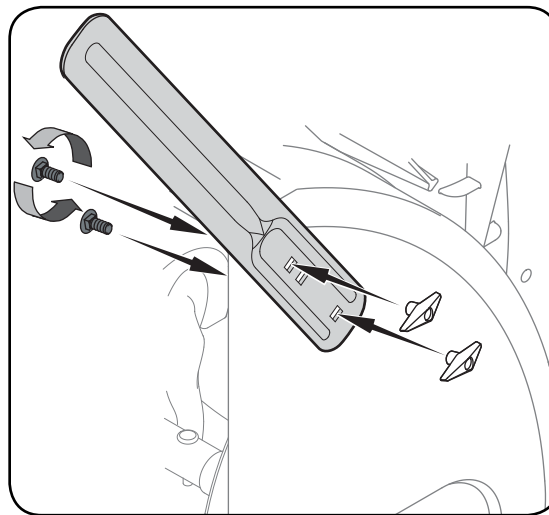


Figure 3-9

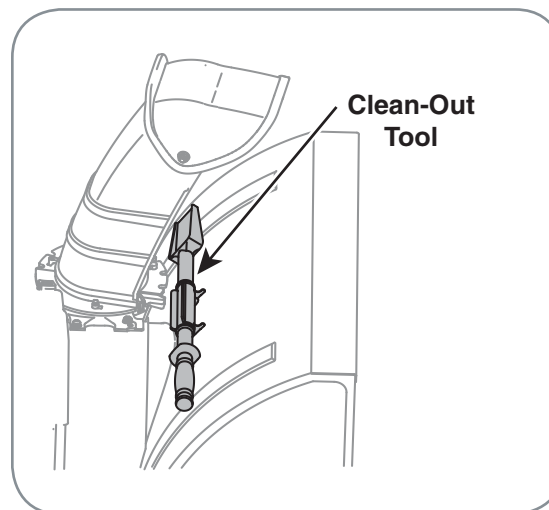


Figure 3-10

Drift Cutters (If Equipped)

Drift cutters should be used when operating the snow thrower in heavy drift conditions.

- On models so equipped, drift cutters and hardware are assembled to the auger housing inverted.
- Remove the carriage bolts and wingnuts securing the drift cutters to the housing.
- Reposition drift cutters so they face forward as shown in Figure 3-9. Secure with hardware previously removed, wingnuts should be fastened on the **outside** of the housing as shown.

If your unit is **not** equipped with drift cutters, you may contact Customer Support as instructed on page 2 for information regarding price and availability.

Snowthrower Model	Drift Cutter Kit:
All models	OEM-390-679

Clean-Out Tool

The clean-out tool is mounted to the rear of the auger housing and is designed to clear a clogged chute. See Figure 3-10. Refer to the Operation section for more detailed information regarding the chute clean-out tool.

NOTE: This item is fastened with a cable tie to the rear of the auger housing at the factory. Cut the cable tie before operating the snow thrower.



WARNING: Never use your hands to clean snow and ice from the chute assembly or auger housing.

Final Adjustments

Make these final adjustments before operating your snow thrower for the first time. Failure to follow these instructions may cause damage to the snow thrower.

Wheel Drive Control & Shift Lever

Perform the following test to determine need for adjustment:

- Move the shift lever into sixth (6) position. See Figure 4-1.
- With the drive control released (see Figure 3-11A), push the snow thrower forward, then pull it back. The machine should move freely.
- Engage the drive control and attempt to move the machine both forward and back, resistance should be felt.
- Move the shift lever into the fast reverse (R2) position and repeat the previous two steps.

If you experienced resistance rolling the unit, either when repositioning the shift lever from 6 to R2 or when attempting to move the machine with the drive control released, adjust the drive control immediately. To adjust, proceed as follows:

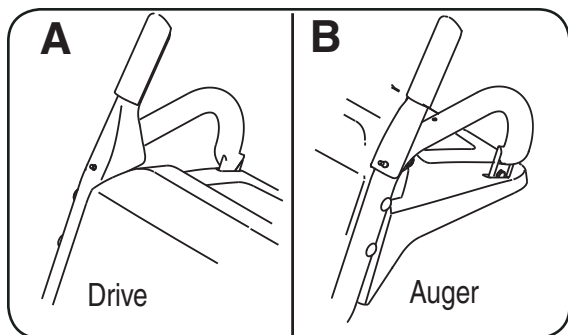


Figure 3-11

- Loosen the Nylock nut on the drive control cable and unthread the cable one full turn. See Figure 3-13.
- Recheck adjustment.
- Retighten the Nylock nut to secure the cable when correct adjustment is reached.

NOTE: For more details, refer to *Drive Control Adjustment* in the *Adjustment* Section of this manual.

Auger Control

Check the adjustment of the auger control as follows:

- When the auger control is released and in the disengaged “up” position (see Figure 3-11B), the cable should have very little slack, but should NOT be tight. See Figure 3-12.



WARNING: Do not over-tighten the cable. Over-tightening may prevent the auger from disengaging and compromise the safety of the snow thrower.

- In a well-ventilated area, start the snow thrower engine as instructed on page 12.
- While standing in the operator’s position (behind the snow thrower) engage the auger.
- Allow the auger to remain engaged for approximately ten seconds before releasing the auger control. Repeat this several times.
- With the auger control lever in the disengaged “up” position, walk to the front of the machine.
- Confirm that the auger has completely stopped rotating and shows no signs of motion.

IMPORTANT: If the auger shows any signs of rotating, immediately return to the operator’s position and shut off the engine. Wait for all moving parts to stop before readjusting the auger control cable.

- To readjust the control cable, unhook the spring (found on the end of the auger cable) from the auger actuator bracket. See Figure 3-12.
- Push the cable coupler through the end of the spring to expose the lock nut. See Figure 3-13.
- Thread the Nylock nut outward (down the coupler) three full turns to provide more slack in the cable and reattach the spring to the bracket.

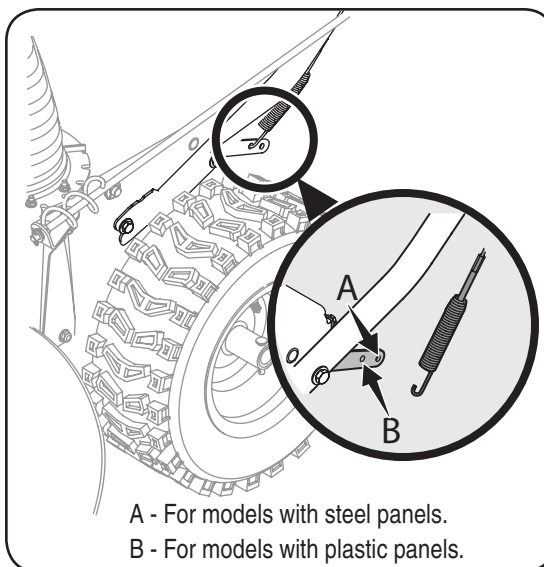


Figure 3-12

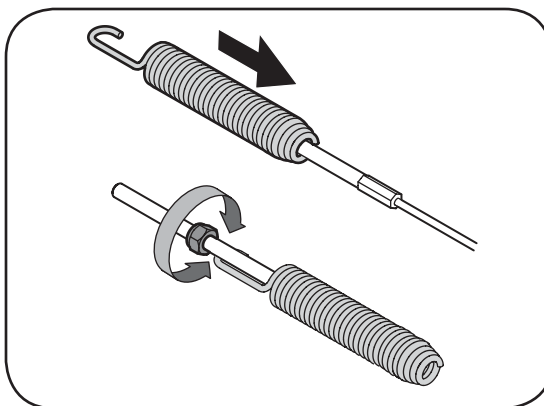


Figure 3-13

- Repeat auger control test to verify for proper adjustment. Repeat previous steps to adjust more, if necessary.

Skid Shoes

Position the skid shoes based on surface conditions. Adjust upward for hard-packed snow. Adjust downward when operating on gravel or crushed rock surfaces. See “Making Adjustment” Section.

Tire Pressure (Pneumatic Tires)

The tires are over-inflated for shipping purposes. Check the tire pressure before operating the snow thrower. Refer to the tire side wall for tire manufacturer’s recommended psi and deflate (or inflate) the tires as necessary.

3

Setting Up Your Snow Thrower



WARNING

Never use your hands to clean snow and ice from the chute assembly or auger housing.



IMPORTANT

If the tire pressure is not equal in both tires, the unit may not travel in a straight path and the shave plate may wear unevenly.

4

Operating Your Snow Thrower



WARNING

Read, understand, and follow all instructions and warnings on the machine and in this manual before operating.

Use extreme care when handling gasoline. Gasoline is extremely flammable and the vapors are explosive. *Never* fuel the machine indoors or while the engine is hot or running. Extinguish cigarettes, cigars, pipes and other sources of ignition.

Know Your Snow Thrower

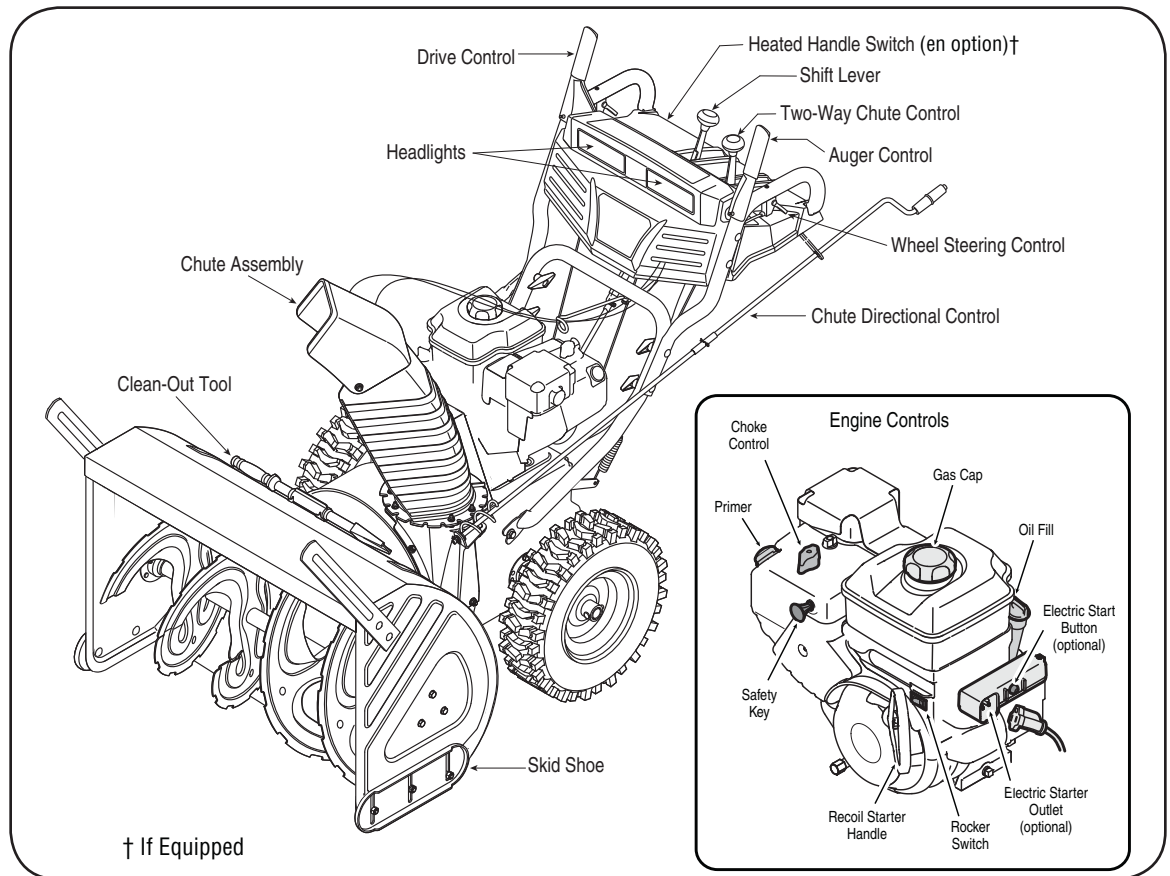


Figure 4-1

Now that you have set up your snow thrower for operation, get acquainted with its controls and features. These are described below and illustrated on this page. This knowledge will allow you to use your new equipment to its fullest potential.

NOTE: For detailed starting instructions and more information on all engine controls, refer to the separate engine manual packed with your unit.

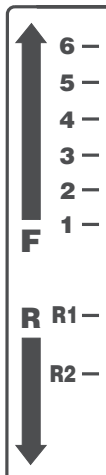
Shift Lever

The shift lever is located in the center of the handle panel and is used to determine ground speed and direction of travel. It can be moved into any of eight positions.

IMPORTANT: Always release drive control before changing speeds.

Forward: The snow thrower has six forward (F) speeds. Position one (1) is the slowest and position six (6) is the fastest.

Reverse: The snow thrower has two reverse (R) speeds—R1 is the slower of the two.



Choke Control

The choke control is found on the top of the engine and is activated by rotating the knob counter clockwise. Activating the choke control closes the choke plate on the carburetor and aids in starting the engine.



Primer

Depressing the primer forces fuel directly into the engine's carburetor to aid in cold-weather starting.

Oil Fill

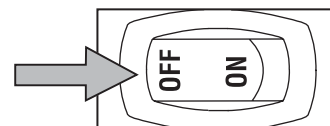
Engine oil level can be checked and oil added through the oil fill.

Safety Key

The safety key must be pushed in place in order for the engine to start. Pull the safety key out to prevent unauthorized use of equipment.

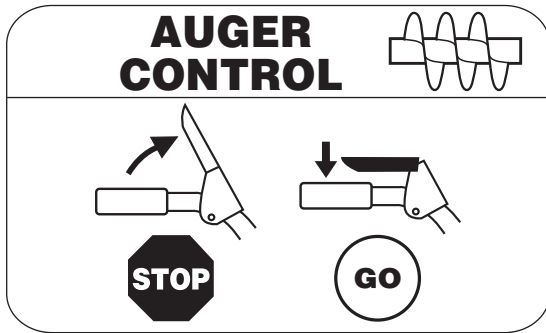
Rocker Switch

The rocker switch is used to stop the engine. The switch must be in the "ON" position in order to start the engine.



Auger Control

The auger control is located on the left handle. Squeeze the auger control to engage the augers. Release to stop the snow throwing action. The drive control must also be released in order to stop auger.

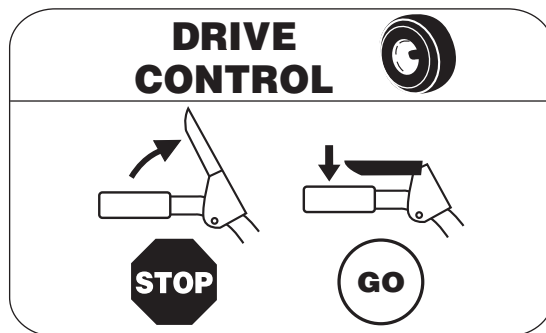


Drive Control / Auger Control Lock

The drive control is located on the right handle. Squeeze the drive control to engage the wheel drive. Release to stop.

This same lever also locks the auger control so you can operate the chute crank without interrupting the snow throwing process. If the auger control is engaged simultaneously with the drive control, the operator can release the auger control (on the left handle) and the augers will remain engaged. Release the drive control to stop the augers and wheel drive (the auger control must also be released).

IMPORTANT: NEVER reposition the shift lever (change speeds or direction of travel) without first releasing the drive control and bringing the snow thrower to a complete stop. Doing so will result in premature wear to the snow thrower's drive system.



Heated Handles Switch (If Equipped)

This switch is located on the right side of the snow thrower dash panel. To activate the heated handles, toggle the switch to the "ON" position to generate heat within the handle grips. Toggle the switch to the "OFF" position after using the snow thrower.

NOTE: The heated handles grips are a compliment to, not a substitute for, proper cold weather outerwear for the operator's hands. It is recommended that the snow thrower operator wear gloves/mittens to avoid extremities of winter while operating this equipment.

Two-Way Chute Control™)

This two-way control lever is meant to control the distance of snow discharge from the chute. Tilt the lever forward or rearward to adjust the distance snow will be thrown.



Chute Directional Control

The chute directional control is located on left side of the snow thrower.

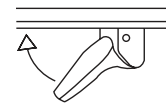
To change the direction in which snow is thrown, turn chute directional control as follows:

- Crank clockwise to discharge to the left.
- Crank counterclockwise to discharge to the right.



Wheel Steering Controls

The left and right wheel steering controls are located on the underside of the handles. Squeeze the right control to turn right; squeeze the left control to turn left.



NOTE: Operate the snow thrower in open areas until you are familiar with these controls.

Chute Clean-Out Tool



WARNING: Never use your hands to clear a clogged chute assembly. Shut off engine and remain behind handles until all moving parts have stopped before unclogging.

The clean-out tool is conveniently fastened to the rear of the auger housing with a mounting clip.

1. Release both the auger control and the drive/auger control lock.
2. Stop the engine by pushing the rocker switch to the "OFF" position, pull out the safety key.
3. Remove the clean-out tool from the mounting clip.
4. Use the shovel-shaped end of the clean-out tool to remove any snow and ice in the chute assembly.
5. Re-fasten the clean-out tool to the mounting clip on the rear of the auger housing and restart engine.
6. While standing in the operator's position (behind the snow thrower), engage the auger control for a few seconds to clear any remaining snow or ice from the chute assembly before continuing to clear snow.

Skid Shoes

Position the skid shoes based on surface conditions. Adjust upward for hard-packed snow. Adjust downward when operating on gravel or crushed rock surfaces. See "Making Adjustment" Section.

Headlight

The headlight is on whenever the engine is running.

4

Operating Your Snow Thrower



WARNING

The operation of any snow thrower can result in foreign objects being thrown into the eyes, which can damage your eyes severely. Always wear safety glasses while operating the snow thrower, or while performing any adjustments or repairs on it.

Be sure no one other than the operator is standing near the snow thrower while starting engine or operating snow thrower. Never run engine indoors or in enclosed, poorly ventilated areas. Engine exhaust contains carbon monoxide, an odorless and deadly gas. Keep hands, feet, hair and loose clothing away from any moving parts on engine and snow thrower.

4

Operating Your Snow Thrower



WARNING


Read, understand, and follow all instructions and warnings on the machine and in this manual before operating.


Use extreme care when handling gasoline. Gasoline is extremely flammable and the vapors are explosive. *Never* fuel the machine indoors or while the engine is hot or running. Extinguish cigarettes, cigars, pipes and other sources of ignition.

Gas & Oil Fill-Up

Service the engine with gasoline and oil as instructed in the separate engine manual packed with your unit. Read instructions carefully.

Starting The Engine

1. Make certain both the auger control and drive control are in the disengaged (released) position.
2. Open fuel shut-off valve (If equipped) and make sure the Rocker switch is in the On position (if equipped).
3. Push in the safety key.
4. Rotate choke control to FULL choke position  (for a cold engine start).

NOTE: If the engine is already warm, place choke control in the OFF position  instead of FULL.

5. Push the primer two times if temperature is above 15°F (-9°C), four times if temperature is below 15°F (-9°C) for cold engine start, making sure to cover vent hole in the center of the primer when pushing.

NOTE: DO NOT use primer to restart a warm engine after a short shutdown.


Electric Starter (If Equipped)

1. Determine that your home's wiring is a three-wire grounded system. Ask a licensed electrician if you are not certain.



WARNING: The optional electric starter is equipped with a grounded three-wire power cord and plug, and is designed to operate on 120 volt AC household current. It must be used with a properly grounded three-prong receptacle at all times to avoid the possibility of electric shock. Follow all instructions carefully prior to operating the electric starter.

If you have a grounded three-prong receptacle, proceed as follows:

1. Plug the extension cord into the outlet located on the engine's surface. Plug the other end of extension cord into a three-prong 120-volt, grounded, AC outlet in a well-ventilated area.
2. Push starter button to start engine.
3. Once the engine starts, immediately release starter button.
4. As the engine warms, slowly rotate the choke control to the OFF position . If the engine falters, quickly rotate the choke control back to FULL and then slowly into the OFF position again.
5. When disconnecting the extension cord, always unplug the end at the three-prong wall outlet before unplugging the opposite end from the snow thrower.

Recoil Starter

1. Grasp the recoil starter handle and slowly pull the rope out. At the point where it becomes slightly harder to pull the rope, slowly allow the rope to recoil.
2. Pull the starter handle with a firm, rapid stroke. Do not release the handle and allow it to snap back. Keep a firm hold on the starter handle and allow it to slowly recoil.
3. As the engine warms, slowly rotate the choke control to the OFF position. If the engine falters, quickly rotate the choke control back to the FULL position and then slowly into the OFF position again.

NOTE: Allow the engine to warm up for a few minutes after starting. The engine will not develop full power until it reaches operating temperatures.

Stopping The Engine

Run engine for a few minutes before stopping to help dry off any moisture on the engine.

- Push the rocker switch to the "OFF" position.
- Pull out the safety key.
- Close fuel shut-off valve (If equipped).
- Wipe all snow and moisture from the area around the engine as well as the area in and around the drive control and auger control. Also, engage and release both controls several times.

To Engage Drive

1. With the engine running near top speed, move shift lever to one of six FORWARD positions or two REVERSE positions. Select a speed appropriate for the snow conditions that exist.
2. Squeeze drive control against the right handle and the snow thrower will move. Release it and the drive motion will stop.

To Engage Augers

1. To engage augers and start snow throwing, squeeze the left hand auger control against the left handle. Release to stop augers.
2. While the auger control is engaged, squeeze the drive control to move, release to stop. Do not shift speeds while the drive is engaged.

NOTE: The drive control lever also locks auger control so you can turn the chute control without interrupting the snow throwing process.

3. Release the auger control; the interlock mechanism should keep the auger control engaged until the drive control is released.
4. Release the drive control to stop both the augers and the wheel drive. To stop the auger, both levers must be released.

Operating Tips

NOTE: Allow the engine to warm up for a few minutes. The engine will not develop full power until it reaches operating temperature.



WARNING: The temperature of the muffler and the surrounding areas may exceed 150° F (65° C). Avoid these areas.

1. If possible, remove snow immediately after it falls.
2. Discharge snow downwind whenever possible.
3. Slightly overlap each previous path.
4. Set the skid shoes 1/4" below the shave plate for normal usage. Adjust them upward for hard-packed snow and downward when using on gravel or crushed rock.

General Recommendations

1. Always observe safety rules when performing any maintenance.
2. The warranty on this snow thrower does not cover items that have been subjected to operator abuse or negligence. To receive full value from warranty, operator must maintain the snow thrower as instructed here.
3. Some adjustments will have to be made periodically to maintain your unit properly.
4. Periodically check all fasteners and make sure these are tight.

4

Operating Your Snow Thrower



WARNING

The muffler, engine and surrounding areas become hot and can cause a burn 150°F (65°C). Do not touch.



NOTE: Use slower speeds in higher snow and/or until you are familiar with the snow thrower operation.

IMPORTANT

NEVER move the shift lever without first releasing the wheel drive control. Doing so will cause premature wear on the drive system's friction wheel.

5

Making Adjustments



WARNING

Read, understand, and follow all instructions and warnings on the machine and in this manual before operating.

Never attempt to make any adjustments while the engine is running, except where specified in operator's manual.

Run the engine completely dry of gasoline before tipping snowthrower.

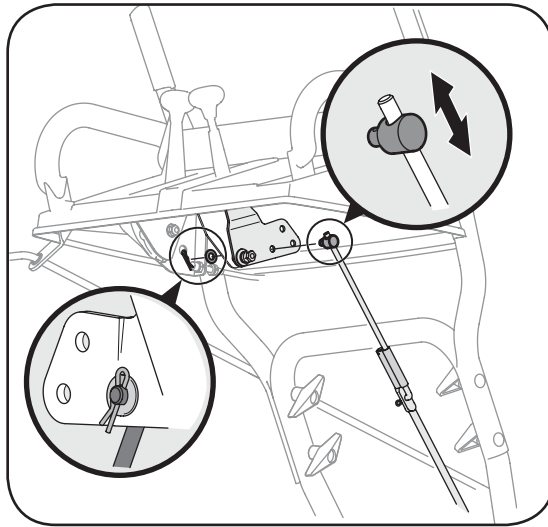


Figure 5-1

Shift Rod

If the full range of speeds (forward and reverse) cannot be achieved, refer to Figure 5-1 and adjust the shift rod as follows:

1. Looking underneath the handle panel, note which of the three holes in the shift lever the ferrule is inserted into. Also note the direction of insertion. Then remove the internal cotter pin and flat washer from the ferrule and withdraw the ferrule from the shift lever. See Figure 5-1.
2. Place shift lever in sixth (6) position or fastest forward speed.
3. Push shift rod and shift arm assembly down sharply, as far as it will go to put the drive into the fastest forward position.
4. As necessary, rotate the ferrule up or down the shift rod until the ferrule lines up with the hole from which it was earlier removed. See Figure 5-1.
5. From the direction noted earlier, insert the ferrule into the proper hole.
6. Reinstall the washer and the internal cotter pin.

Drive Control



WARNING: Run the engine completely dry of gasoline before tipping snowthrower.

Refer to the Final Adjustment section of the Set-Up instructions to adjust the drive control. To further check the adjustment, proceed as follows:

1. Tip the snow thrower forward, allowing it to rest on the auger housing.
2. Remove the frame cover underneath the snow thrower by removing the self-tapping screws. See Figure 5-2.
3. With the wheel drive control released, check if there is clearance between friction wheel and drive plate in all positions of the shift lever. See Figure 5-3.

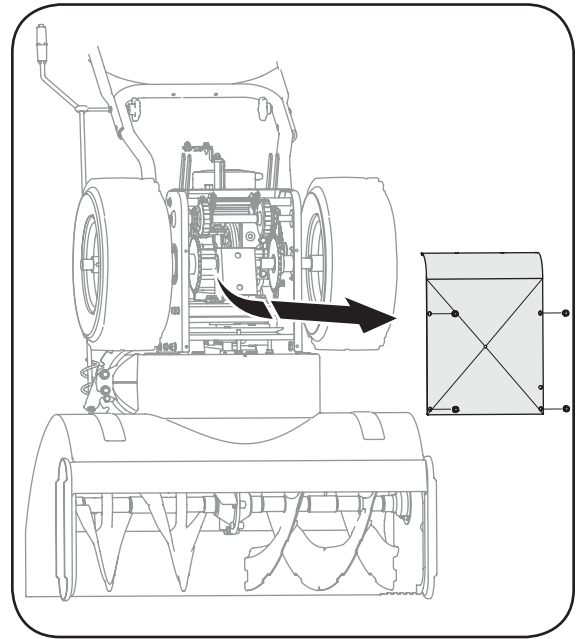


Figure 5-2

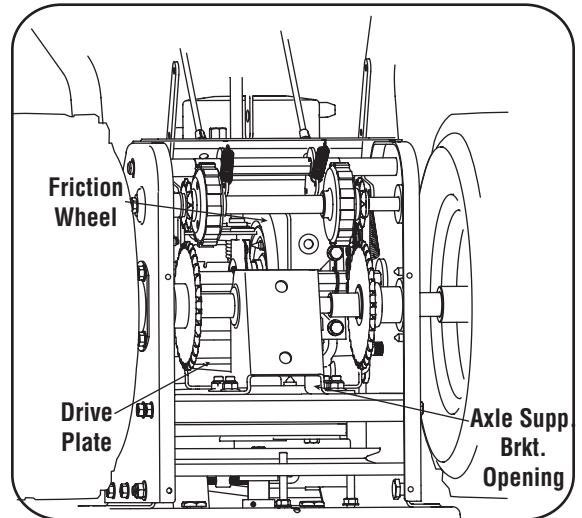


Figure 5-3

4. With the drive control lever engaged, check if the friction wheel solidly contacts the drive plate. See Figure 5-3. If not, adjust as follows:
 - a. Loosen the jam nut on the drive cable and thread the cable in or out as necessary.
 - b. Retighten the jam nut to secure the cable when correct adjustment is reached.
5. Reassemble the frame cover.

Skid Shoes

The space between the shave plate and the ground can be adjusted by raising or lowering the skid shoes. For close snow removal, as when using on a smooth concrete or asphalt driveway, place the skid shoes in the low position. Use the middle or high position when the area to be cleared is uneven. When operating on gravel, always put skid shoes in the high position. See Figure 5-4.

Adjust skid shoes as follows:

1. Loosen, but do not remove, the hex flange locknuts which fasten the skid shoe to the auger housing.
2. Raise or lower the skid shoe to desired position.
3. Retighten the hex nuts loosened earlier.

NOTE: Make certain the bottom surface of skid shoe is flat against the ground to avoid uneven wear.

4. Repeat on the other side of the snow thrower.

Auger Control

Refer to instructions on page 9 to adjust the auger control. Make certain to check for correct adjustment as instructed before operating the snow thrower.

Chute Assembly

The distance snow is thrown can be adjusted by adjusting the angle of the chute assembly. Refer to page 9 for instructions.

The remote chute control cables have been pre-adjusted at the factory. Move the remote chute lever on the control panel back and forward to adjust angle of the chute assembly.

Chute Bracket Adjustment

If the spiral at the bottom of the chute directional control is not fully engaging with the chute assembly, the chute bracket can be adjusted. To do so:

1. Loosen the two nuts which secure the chute bracket and reposition it slightly. See Figure 5-5.
2. Retighten the nuts.

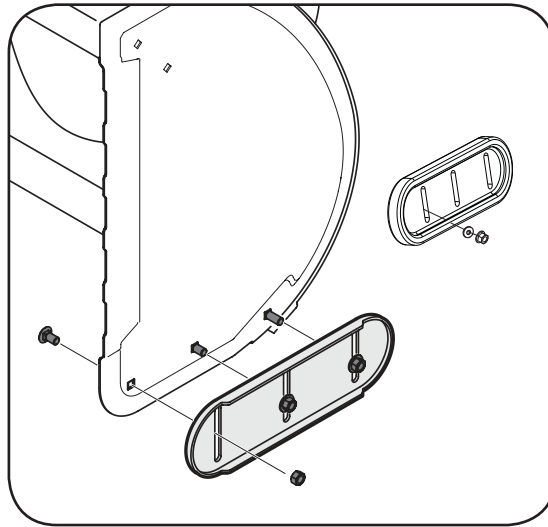


Figure 5-4

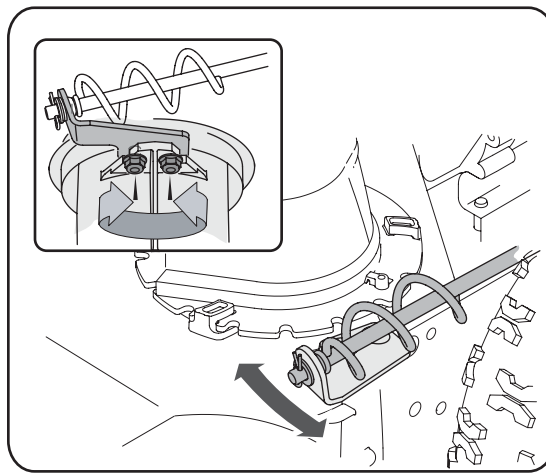


Figure 5-5

5

Making Adjustments



IMPORTANT: It is not recommended that you operate this snow thrower on gravel as loose gravel can be easily picked up and thrown by the auger causing personal injury or damage to the snow thrower.

If for some reason, you have to operate the snow thrower on gravel, keep the skid shoe in the highest position for maximum clearance between the ground and the shave plate.

6

Maintaining Your Snow Thrower



WARNING

Before lubricating, repairing or inspecting, disengage all controls and stop engine. Wait until all moving parts have come to a complete stop. Remove the safety key to prevent unintended firing of the engine.



IMPORTANT

Avoid oil spillage on rubber friction wheel and aluminum drive plate.

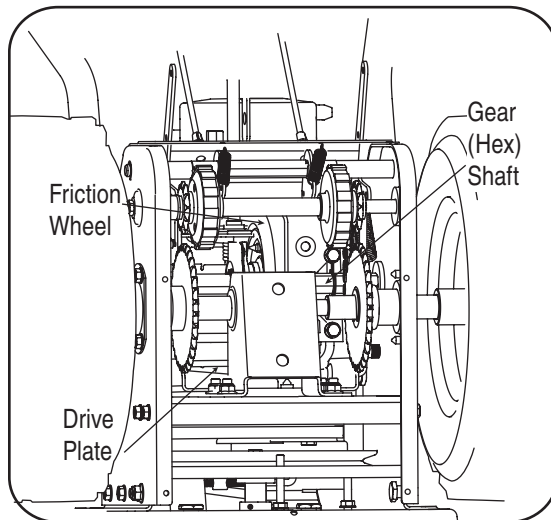


Figure 6-1

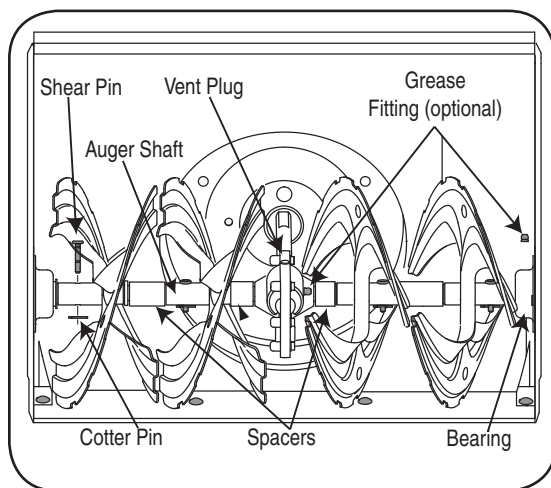


Figure 6-2

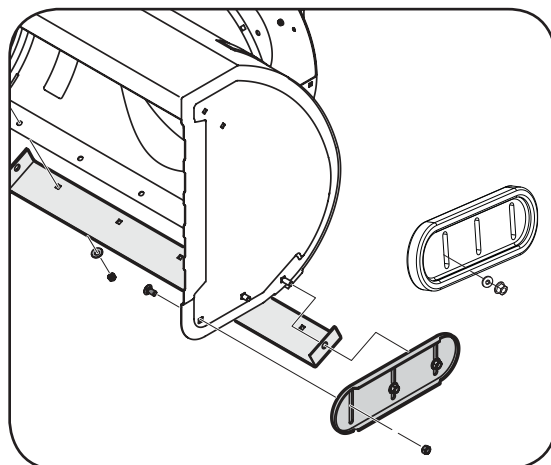


Figure 6-3

Engine

Refer to the separate engine manual packed with your unit for all engine maintenance and lubrication instructions.

Lubrication

Drive and Shifting Mechanism

At least once a season or after every 25 hours of operation, remove rear cover. Lubricate any chains, sprockets, gears, bearings, shafts, and the shifting mechanism at least once a season. Use engine oil or a spray lubricant. Refer to Figure 6-1.

IMPORTANT: Keep all grease and oil off the rubber friction wheel and drive plate.

Wheels

At least once a season, remove wheels. Clean and coat the axles with a multipurpose automotive grease before reinstalling wheels.

Auger Shaft

At least once a season, remove the shear pins on auger shaft. Spray lubricant inside shaft, around the spacers. Also lubricate the flange bearings found at either end of the shaft. See Figure 6-2.

Augers

- The augers are secured to the spiral shaft with shear pins and cotter pins. If the auger should strike a foreign object or ice jam, the snow thrower is designed so that the pins may shear. See Figure 6-2.
- If the augers will not turn, check to see if the pins have sheared. Replacement shear pins have been provided with the snow thrower. When replacing pins, spray an oil lubricant into shaft before inserting new pins.

Shave Plate and Skid Shoes

The shave plate and skid shoes on the bottom of the snow thrower are subject to wear. They should be checked periodically and replaced when necessary. To remove skid shoes:

1. Remove the carriage bolts (and washers if equipped) and hex flange nuts which secure the skid shoes to the snow thrower.
2. Reassemble new skid shoes with previously removed hardware. Refer to Figure 6-3.

To remove shave plate:

1. Remove the carriage bolts and hex nuts which attach it and the skid shoes to the snow thrower housing.
2. Reassemble new shave plate, making sure heads of carriage bolts are to the inside of housing. Tighten securely.

Replacing Belts

To remove and replace either the auger belt or the drive belt, follow the steps below and then proceed to the specific steps listed under respective sub-headings.

1. Disconnect the chute crank assembly at the discharge chute end by removing the hairpin clip and the flat washer. See Figure 6-8.

2. Remove the plastic belt cover, located near the engine, by removing the three self-tapping screws that secure it. See Figure 6-4.
3.
 - a. Loosen the bolt shown in Figure 6-5 securing the belt keeper bracket and remove the other bolt.
 - b. Push the belt keeper and bracket up off the engine pulley. See Figure 6-5.

Auger Belt

4. Remove the clip and flat washer from the ferrule in order to disconnect the auger idler rod from the brake bracket assembly. See Figure 6-6.
5. Slip the auger belt (the front belt) off the engine pulley.
6. Pull the brake bracket assembly towards the cable guide roller and unhook the auger cable "Z" fitting. See Figure 6-7.
7. From both sides of the the frame assembly, use a 1/2" wrench to remove the three hex tap screws securing the frame to the auger housing assembly. See Figure 6-8.

NOTE: Do not remove the lower hex flange lock nut on each side.

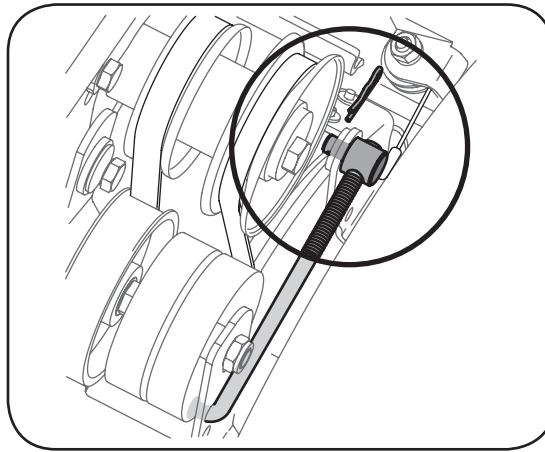


Figure 6-6

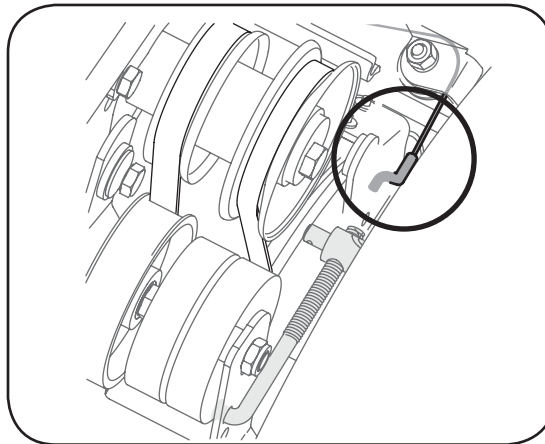


Figure 6-7

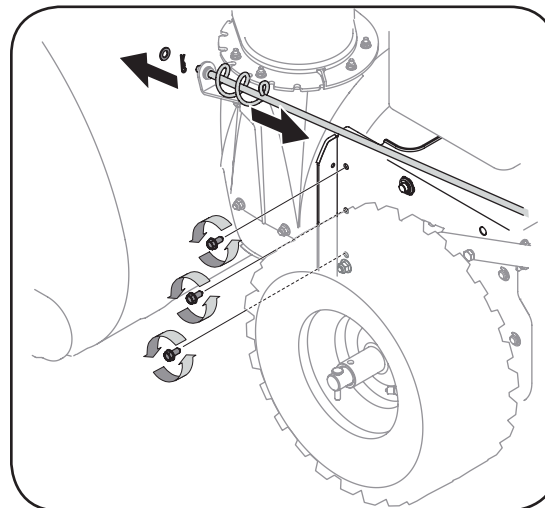


Figure 6-8

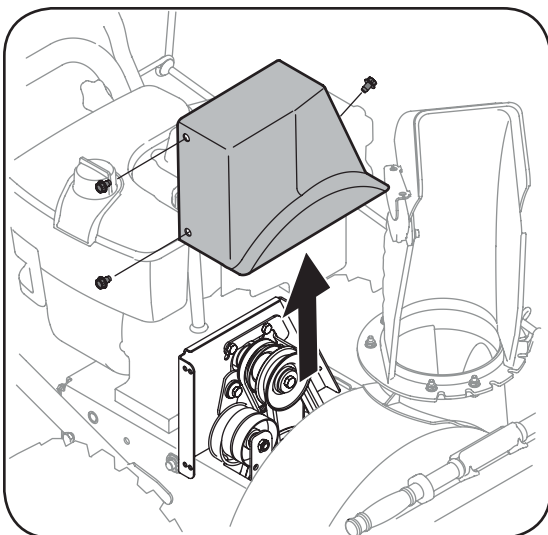


Figure 6-4

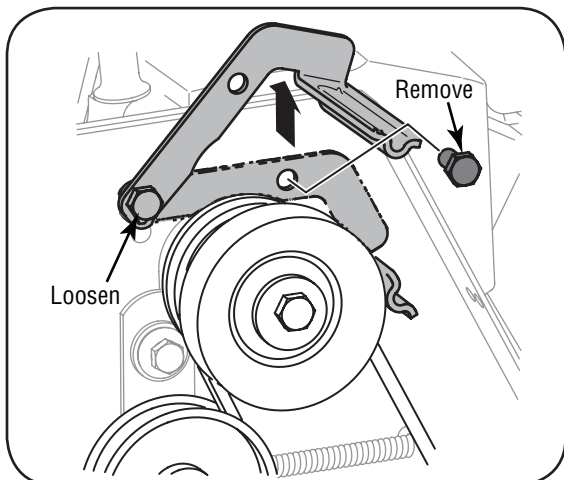


Figure 6-5

6

Maintaining Your Snow Thrower



IMPORTANT

NEVER replace the auger shear pins with standard pins. Any damage to the auger gearbox or other components, as a result of doing so, will NOT be covered by your snow thrower's warranty.

Check the condition of both auger belt and drive belt every 25 hours of snow thrower operation. Replace if either shows signs of wear and tear.

Specifications are subject to change without notification or obligation. Images may not reflect your exact model and are for reference purposes only.

6

Maintaining Your Snow Thrower



WARNING

Before lubricating, repairing or inspecting, disengage all controls and stop engine. Wait until all moving parts have come to a complete stop. Remove the safety key to prevent unintended firing of the engine.



IMPORTANT

Refer to the Final Adjustment section of the Set-Up instructions after replacing drive and auger belts.

- Place a block of wood underneath the auger housing as shown in Figure 6-9 and separate auger housing from the frame by tilting the housing forward and pulling up the handles.
- Block the impeller with a piece of wood to prevent it from spinning and use a 1/2" wrench to remove the hex screw and washer from the center of the pulley on the auger housing. See Figure 6-10.
- Lift the brake bracket assembly out of the pulley groove and slide the pulley assembly off the posts of the auger pulley adapter to remove the old belt. Refer to Figure 6-10.

NOTE: The pulley adapter may slide off the auger input shaft when removing the pulley. Use extra caution to ensure the adapter does not fall and/or get damaged when removing the pulley.

- Place the new auger belt in the V-groove of the auger pulley and place the pulley w/belt inside the belt keepers.
- Turn the pulley as necessary to align its three slots approximately with the posts of the pulley adapter, then move the brake bracket assembly away from the input shaft. While aligning the pulley slots and adapter posts, push the auger pulley fully onto the adapter. Refer to Figure 6-10.

NOTE: If the pulley adapter was removed with the pulley, align the splines of the pulley adapter and auger input shaft, and push the pulley and adapter onto the input shaft. Refer to Figure 6-10.

- Slide the washer onto the hex screw removed earlier and apply Loctite 262 to the threads of the hex screw.
- Insert the hex screw through the pulley assembly and into the threads of the input shaft. Torque the hex screw to 250-325 in./lbs. to secure the auger pulley assembly on the input shaft.

If also replacing the drive belt, proceed to the "Drive Belt" instruction. If not, reassemble by performing the previous steps in the opposite order and manner of removal.

NOTE: Make sure to remove the piece of wood blocking the impeller.

Proper Adjustment: With the auger clutch lever in the disengaged position, the top surface of the new belt should be even with the outside diameter of the pulley.

- To adjust, disconnect ferrule from brake bracket assembly and thread ferrule in (towards idler) to increase tension on belt, and out to decrease tension. See Figure 6-6.

NOTE: The brake puck must always be firmly seated in the pulley groove when auger control is disengaged.

IMPORTANT: Repeat the "Auger Drive Control Test" from the Assembly section before operating snow thrower.

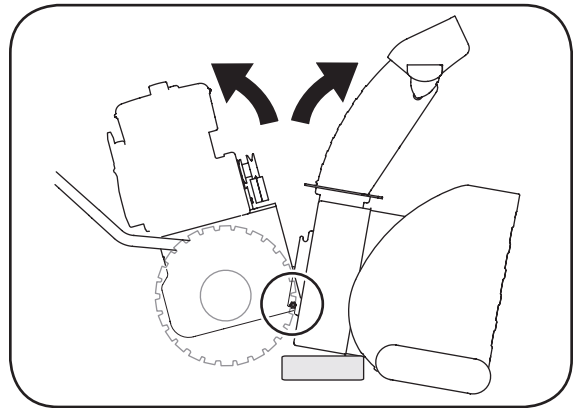


Figure 6-9

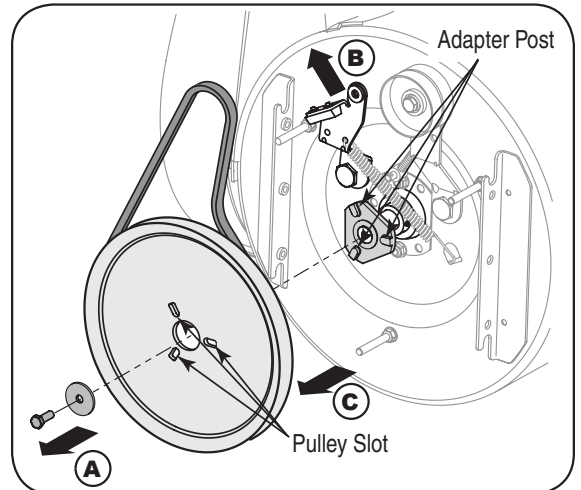


Figure 6-10

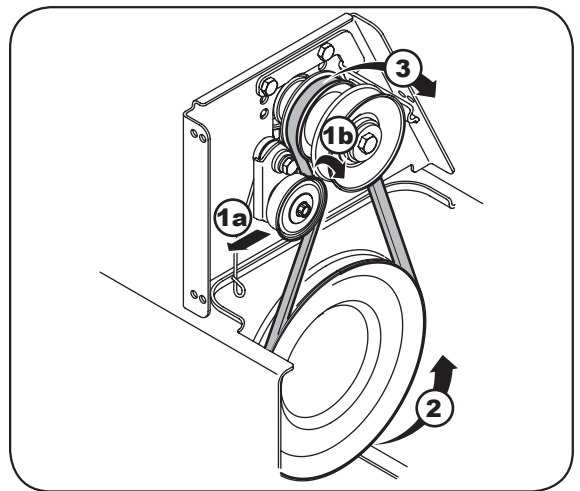


Figure 6-11

Drive Belt

- If not already done, remove auger belt as previously instructed.
 - Pull the idler pulley away from the backside of the drive belt to relieve the tension.
 - Slide the drive belt off the idler pulley. See Figure 6-11. Carefully release the idler pulley.
- Remove the belt from the bottom drive pulley.
- Remove the belt from the engine pulley.

4. Install the new belt on the pulleys in the reverse order and re-tension with the idler pulley.
5. Reassemble your unit by performing the previous steps in the opposite order.

Changing Friction Wheel Rubber



WARNING: Run the engine completely dry of gasoline before tipping snowthrower.

- Tip the snow thrower up and forward, so that it rests on the housing.
- Remove screws from the frame cover underneath the snow thrower. See Figure 5-2.
- Remove the right wheel(s) from the axle.
- Using a 3/4" wrench, hold the hex shaft and remove the hex bolts and cupped washer and bearing from left side of the frame. Refer to Figure 6-12.
- Holding the friction wheel assembly, slide the hex shaft out of the right side of the unit. The spacer on the left side of the hex shaft will fall and the sprocket should remain hanging loose in the chain.
- Lift the friction wheel assembly out between the axle shaft and the drive shaft assemblies.
- Remove four screws securing the friction wheel rubber between the friction wheel plates. See Figure 6-13. Discard old rubber.
- Reassemble the new friction wheel rubber to the friction wheel assembly, tightening the four screws in rotation and with equal force. It is important to assemble the rubber on the friction wheel symmetrically for proper functioning.
- Insert the pin from the shift arm assembly into the friction wheel assembly and hold assembly in position. Refer to Figure 6-14 .
- Slide the hex shaft through the right side of the housing and through the friction wheel assembly.
- Insert the hex shaft through the sprocket and the spacer. Make certain that the chain engages both the large and the small sprocket.

NOTE: If the sprocket fell from the snow thrower while removing the hex shaft, align sprocket on chain, place the sprocket on the hex shaft. Position the hex hub of the sprocket toward the friction wheel when sliding the sprocket on to the hex shaft.

- Slide the bearing onto the left end of the hex shaft and press into the hole on the left side the frame.
- Secure with the cupped washer and hex bolt removed earlier.
- Secure the frame cover with self-tapping screws. Put the snow thrower down to its normal operating position.

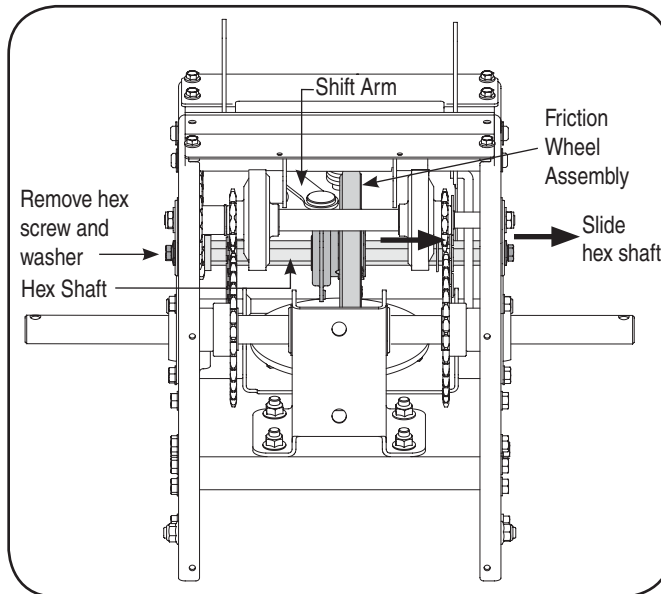


Figure 6-12

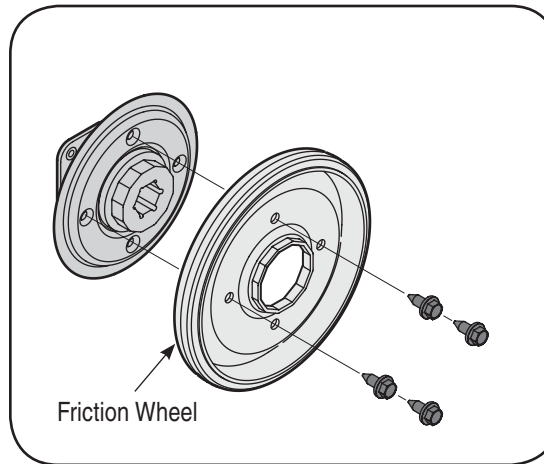


Figure 6-13

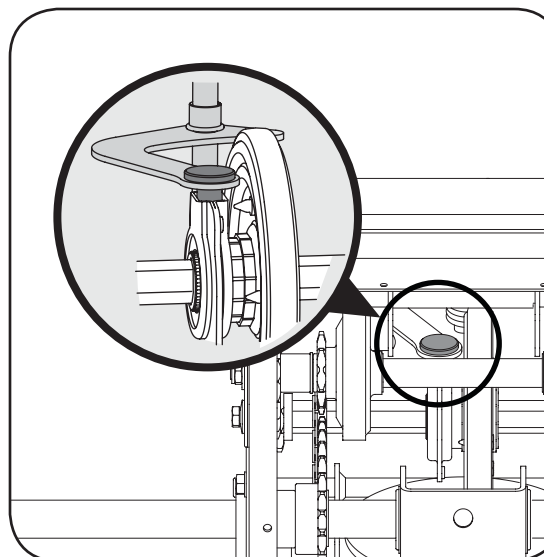


Figure 6-14

6

Maintaining Your Snow Thrower



WARNING

The rubber on the friction wheel is subject to wear and should be checked periodically. Replace the friction wheel rubber if any signs of wear or cracking are found.

7

Off-Season Storage



WARNING

Never store snow thrower with fuel in tank indoors or in poorly ventilated areas, where fuel fumes may reach an open flame, spark or pilot light as on a furnace, water heater, clothes dryer or gas appliance.

If unit is to be stored over 30 days, prepare for storage as instructed in the separate engine manual packed with your snow thrower.

- Clean snow thrower thoroughly.
- Lubricate as instructed in the Maintenance section of this manual.
- Refer to engine manual for correct engine storage instructions.
- Store the snow thrower in a clean, dry area.
- When storing any type of power equipment in a poorly ventilated or metal storage shed, care should be taken to rustproof the equipment, especially springs, cables and all moving parts.

8

Trouble-Shooting



NOTE: This section addresses minor service issues. For further details, contact customer assistance.

Problem	Cause	Remedy
Engine fails to start	<ol style="list-style-type: none"> 1. Choke not in ON position. 2. Spark plug wire disconnected. 3. Fuel tank empty or stale fuel. 4. Engine not primed. 5. Faulty spark plug. 6. Blocked fuel line. 7. Safety key not in ignition on engine. 8. Fuel shut-off valve closed. (If Equipped) 	<ol style="list-style-type: none"> 1. Move choke to ON position. 2. Connect wire to spark plug. 3. Fill tank with clean, fresh gasoline. 4. Prime engine as instructed in "Operating Your Snow Thrower". 5. Clean, adjust gap, or replace. 6. Clean fuel line. 7. Insert key fully into the switch. 8. Open fuel shut-off valve.
Engine runs erratic	<ol style="list-style-type: none"> 1. Unit running on CHOKE. 2. Blocked fuel line or stale fuel. 3. Water or dirt in fuel system. 4. Carburetor out of adjustment. 	<ol style="list-style-type: none"> 1. Move choke lever to OFF position. 2. Clean fuel line; fill tank with clean, fresh gasoline. 3. Drain fuel tank. Refill with fresh fuel. 4. Contact Service Center.
Engine overheats	<ol style="list-style-type: none"> 1. Carburetor not adjusted properly. 	<ol style="list-style-type: none"> 1. Contact Service Center.
Excessive Vibration	<ol style="list-style-type: none"> 1. Loose parts or damaged auger. 	<ol style="list-style-type: none"> 1. Stop engine immediately and disconnect spark plug wire. Tighten all bolts and nuts. If vibration continues, have unit serviced by a Service Center.
Loss of power	<ol style="list-style-type: none"> 1. Spark plug wire loose. 2. Gas cap vent plugged. 3. Exhaust port plugged. 	<ol style="list-style-type: none"> 1. Connect and tighten spark plug wire. 2. Remove ice and snow from gas cap. Be certain vent is clear. 3. Contact Service Center.
Unit fails to propel itself	<ol style="list-style-type: none"> 1. Drive control cable in need of adjustment. 2. Drive belt loose or damaged. 3. Friction wheel worn. 	<ol style="list-style-type: none"> 1. Adjust drive control cable. Refer to "Adjustments". 2. Replace drive belt. 3. Replace friction wheel.
Unit fails to discharge snow	<ol style="list-style-type: none"> 1. Chute assembly clogged. 2. Foreign object lodged in auger. 3. Auger control cable in need of adjustment. 4. Auger belt loose or damaged. 5. Shear pin(s) sheared. 	<ol style="list-style-type: none"> 1. Stop engine immediately and disconnect spark plug wire. Clean chute assembly and inside of auger housing with clean-out tool or a stick. 2. Stop engine immediately and disconnect spark plug wire. Remove object from auger with clean-out tool or a stick. 3. Refer to "Auger Control Test". 4. Refer to Maintenance section. 5. Replace with new shear pin(s).

9

Warranty



Failure to comply with suggested maintenance and lubrication specifications will void warranty.

THREE YEAR LIMITED WARRANTY

The limited warranty set forth below is given by MTD Products Limited with respect to new merchandise purchased and used in Canada and/or its territories and possessions (either entity respectively, "MTD").

MTD warrants this product (excluding its normal wear parts as described below) against defects in material and workmanship for a period of three (3) years commencing on the date of original purchase and will, at its option, repair or replace, free of charge, any part found to be defective in materials or workmanship. This limited warranty shall only apply if this product has been operated and maintained in accordance with the Operator's Manual furnished with the product, and has not been subject to misuse, abuse, commercial use, neglect, accident, improper maintenance, alteration, vandalism, theft, fire, water, or damage because of other peril or natural disaster. Damage resulting from the installation or use of any part, accessory or attachment not approved by MTD for use with the product(s) covered by this manual will void your warranty as to any resulting damage.

Normal wear parts are warranted to be free from defects in material and workmanship for a period of thirty (30) days from the date of purchase. Normal wear parts include, but are not limited to items such as: batteries, belts, blades, blade adapters, grass bags, rider deck wheels, seats, snow thrower skid shoes, friction wheels, shave plates, auger spiral rubber, tires, engine oil, air filters and spark plugs.

HOW TO OBTAIN SERVICE: Warranty service is available, WITH PROOF OF PURCHASE, through your local authorized service dealer. To locate the dealer in your area contact MTD Products Limited, Kitchener, ON N2G 4J1, or call 1-800-668-1238 or log on to our Web site at www.mtdcanada.com.

This limited warranty does not provide coverage in the following cases:

- a. The engine or component parts thereof. These items may carry a separate manufacturer's warranty. Refer to applicable manufacturer's warranty for terms and conditions. The Powermore engine is not excluded under this agreement.
- b. Log splitter pumps, valves, and cylinders have a separate one-year warranty.
- c. Routine maintenance items such as lubricants, filters, blade sharpening, tune-ups, brake adjustments, clutch adjustments, deck adjustments, and normal deterioration of the exterior finish due to use or exposure.
- d. Service completed by someone other than an authorized service dealer.
- e. MTD does not extend any warranty for products sold or exported outside of Canada, including possessions and territories.
- f. Replacement parts that are not genuine MTD parts.
- g. Transportation charges and service calls.
- h. If Products are used commercially. (MTD may separately offer Limited Commercial Warranties on certain select products. Ask your dealer or retailer for details or contact MTD Service for more information.)

No implied warranty, including any implied warranty of merchantability of fitness for a particular purpose, applies after the applicable period of express written warranty above as to the parts as identified. No other express warranty, whether written or oral, except as mentioned above, given by any person or entity, including a dealer or retailer, with respect to any product, shall bind MTD. During the period of the warranty, the exclusive remedy is repair or replacement of the product as set forth above.

The provisions as set forth in this warranty provide the sole and exclusive remedy arising from the sale. MTD shall not be liable for incidental or consequential loss or damage including, without limitation, expenses incurred for substitute or replacement lawn care services or for rental expenses to temporarily replace a warranted product.

Some jurisdictions do not allow the exclusion or limitation of incidental or consequential damages, or limitations on how long an implied warranty lasts, so the above exclusions or limitations may not apply to you.

In no event shall recovery of any kind be greater than the amount of the purchase price of the product sold. **Alteration of safety features of the product shall void this warranty.** You assume the risk and liability for loss, damage, or injury to you and your property and/or to others and their property arising out of the misuse or inability to use the product.

This limited warranty shall not extend to anyone other than the original purchaser or to the person for whom it was purchased as a gift.

HOW LOCAL LAWS RELATE TO THIS WARRANTY: This limited warranty gives you specific legal rights, and you may also have other rights that vary in different jurisdictions.

IMPORTANT: Owner must present Original Proof of Purchase to obtain warranty coverage.
MTD Products Ltd., P. O. BOX 1386, KITCHENER, ON N2G 4J1; Phone: 1-800-668-1238

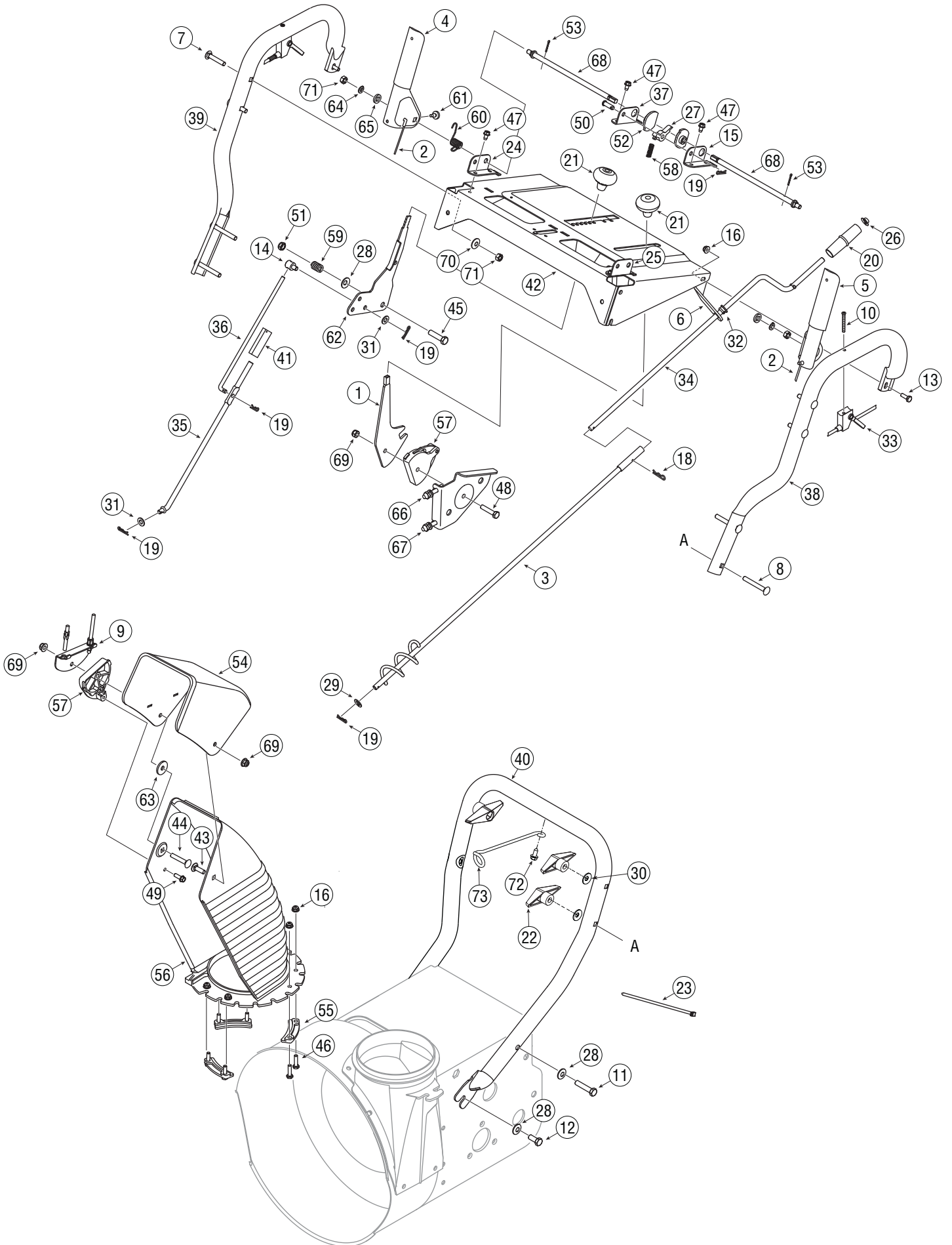
05.28.08

NOTES:



For parts and/or accessories refer to customer support on page 2.

Adressez-vous au «Service après-vente» à la page 2 pour ce qui concerne les pièces et/ou accessoires.



REF NO. N° DE RÉF	PART NO. N° DE PIÈCE	DESCRIPTION	DESCRIPTION
1	784-5604A	Chute Tilt Handle	Poignée de la bouche d'évacuation
2	646-0012	Cable Ass'y (Auger/Drive)	Câble (Tarière/Entraînement)
3	684-0053B	Lower Chute Crank Assembly	Manivelle de la goulotte inférieure
4	705-5218	Engage Handle RH Black	Poignée d'entraînement CD noir
5	705-5219	Engagement Handle LH Black	Poignée d'entraînement CG noir
6	705-5266	Upper Chute Crank Support	Support de la manivelle de la goulotte supérieure
7	710-0458	Carriage Bolt 5/16-18 x 1.75" Lg.	Boulon à collet carré 5/16-18 x 1,75 po de lg
8	710-0572	Carriage Bolt 5/16-18 X 2.50	Boulon ordinaire 5/16-18 x 2,50
9	784-5594	Cable Bracket Chute Tilt	Support de câble
10	710-1625	Screw, #10-24 x 1.75	Vis n°. 10-24 x 1,75
11	710-04682	Hex Screw 3/8-16 x 2.0 Gr. 5	Vis à tête hex. 3/8-16 x 2,0 Qual. 5
12	710-3118	Hex TT Screw 3/8-16 x .75	Vis taraudée 3/8-16 x 0,75
13	710-3015	Hex Cap Bolt 1/4-20 x .75" Lg.	Boulon 1/4-20 x 0,75 po de lg.
14	711-0677	Adjustment Ferrule	Virole de réglage
15	784-5679	LH Handle Support Brkt. 5/8"	Support de guidon-gauche 5/8 po
16	712-04064	Hex L-Flanged Nut 1/4-20 Gr. F Nylon	Contre-écrou à embase 1/4-20 Qual. F nylon
18	714-0101	Internal Cotter Pin	Goupille fendue - int.
19	714-0104	Int. Cotter Pin .072 x 1.13" Lg.	Goupille fendue int. 0,072 x 1,13 po de lg.
20	720-0201A	Knob 1.0 x 3.2	Bouton 1,0 x 3,20
21	720-04039	Shift Knob	Bouton
22	720-0284	Knob	Bouton
23	725-0157	Cable Tie	Attache-câble
24	784-5682	RH Handle Support Brkt. 3/8"	Support de guidon-droit 3/8 po
25	784-5681	LH Handle Support Brkt. 3/8"	Support de guidon-gauche 3/8 po
26	726-0100	Push Nut 3/8" Rod	Écrou pour tige de 3/8 po
27	748-0363	Cam Lock Pawl	Cliquet
28	736-0105	Cupped Washer .375 ID x .870 OD x .063	Rondelle creuse 0,375 DI x 0,875 DE x 0,063
29	736-0185	Flat Washer .406" I.D. x .75" O.D.	Rondelle plate 0,406 DI x 0,75 DE
30	736-0242	Cupped Washer .345 ID x .88 OD x .06	Rondelle creuse 0,345 DI x 0,88 DE x 0,06
31	736-0275	Flat Washer .34 ID x .688 OD x .065	Rondelle plate 0,34 DI x 0,688 DE x 0,065
32	741-0475	Plastic Bushing .380 ID	Manchon en plastique de 0,38 po de D.I.
33	746-0950A	Steering Trigger	Câble à chenilles de direction
34	747-0624	Upper Chute Crank Assembly	Manivelle de la goulotte supérieure
35	747-0983A	Lower Shift Rod	Tige de commande inférieur
36	747-0997	Upper Shift Rod	Tige de commande supérieur
37	784-5680	RH Handle Support Brkt. 5/8"	Support de guidon-droit 5/8 po
38	749-0989A	Upper Handle LH	Guidon supérieur CG
39	749-0990A	Upper Handle RH	Guidon supérieur CD
40	749-0991	Lower Handle	Guidon supérieur
41	750-0963	Connector - Shift Rod	Raccord - tige de changement de la vitesse
42	684-0102A	Handle Panel Support Ass'y	Ensemble de support de panneau
43	710-0276	Carriage Bolt 5/16-18 x 1.00" Lg	Boulon ordinaire de 5/16-18 x 1,00 po de lg
44	710-0458	Carriage Bolt 5/16-18 x 1.75" Lg.	Boulon à collet carre 5/16-18 x 1,75 po de lg
45	710-0459A	Hex Scr 3/8-24 x 1.50	Vis à tête hexagonale 3/8-24 x 1,50
46	710-0597	Screw 1/4-20 x 1.0	Vis 1/4-20 x 1,0
47	710-0599	Hex Wash S-Tapp Scr 1/4-20 x .50	Vis autotaraudeuse à rondelle hex. 1/4-20 x 0,50
48	710-0805	Hex Bolt 5/16-18 x 1,50" Lg. Gr. 5	Boulon hex. 5/16-18 x 1,50 po de lg Qual. 5
49	710-0895	Hex Tapp Scr 1/4 x .75" Lg.	Vis taraudée à tête hex de 1/4 x 0,75 po de lg
50	711-0653	Clevis Pin .31 Dia. x 1.0" Lg.	Axe d'attelage 0,31 dia. x 1,0 po de lg.
51	712-0116	Hex Nut 3/8-24	Écrou hexagonal 3/8-24
52	748-0362	Cam Handle Lock	Came
53	714-0507	Cotter Pin 3/32 x .75	Goupille fendue 3/32 x 0,75
54	731-0846C	Upper Chute	Partie supérieur noir de la goulotte
55	731-0851A	Chute Flange Keeper	Guide de la goulotte
56	731-0903E	Lower Chute	Partie inférieur noir de la goulotte
57	731-1313C	Cable Guide	Guide de la câble
58	732-0145	Compression Spring .62 OD x 6.12" Lg.	Ressort de compression 0,62 DE x 6,12 po de lg.
59	732-0193	Compression Spring .38 ID x .88 Lg	Ressort de compression 0,38 DI x 0,88 po de lg.
60	732-0746	Torsion Spring	Ressort de torsion
61	735-0199A	Rubber Bumper	Pare - chocs en caoutchouc
62	784-5619B	Shift Lever	Levier de changement de la vitesse
63	736-0231	Flat Washer .344 ID x 1.125 OD x .125	Rondelle plate 0,344 DI x 1,125 DE x 0,125
64	736-0119	L-Wash 5/16 ID	Rondelle frein 5/16 DI
65	736-0509	Flat Washer (special) .350 sq. x .72 x .134	Rondelle plate (spéciale) 0,350 x 0,72 x 0,134
66	746-0902	Chute Control Cable 66"	Câble de la commande de la goulotte
67	746-0903	Chute Control Cable w/clip	Câble de la commande de la goulotte
68	747-0877	Cam Rod	Tige de came
69	712-04063	Hex L-Flanged Nut 5/16-18 Gr. F Nylon	Contre-écrou à embase 5/16-18 Qual. F nylon
70	736-0159	Flat Washer .349 ID x .879 OD x .063	Rondelle plate 0,349 DI x 0,879 DE x 0,063
71	712-3068	Hex Patch L-Nut 5/16-18	Écrou de blocage à six pans 5/16 - fil. 18
72	710-04484	Hex TT Screw 5/16-18 x .75	Vis taraudée 5/16-18 x 0,75
73	747-04786	Cable Guide	Guide de la câble

31A-9006
5.22.08

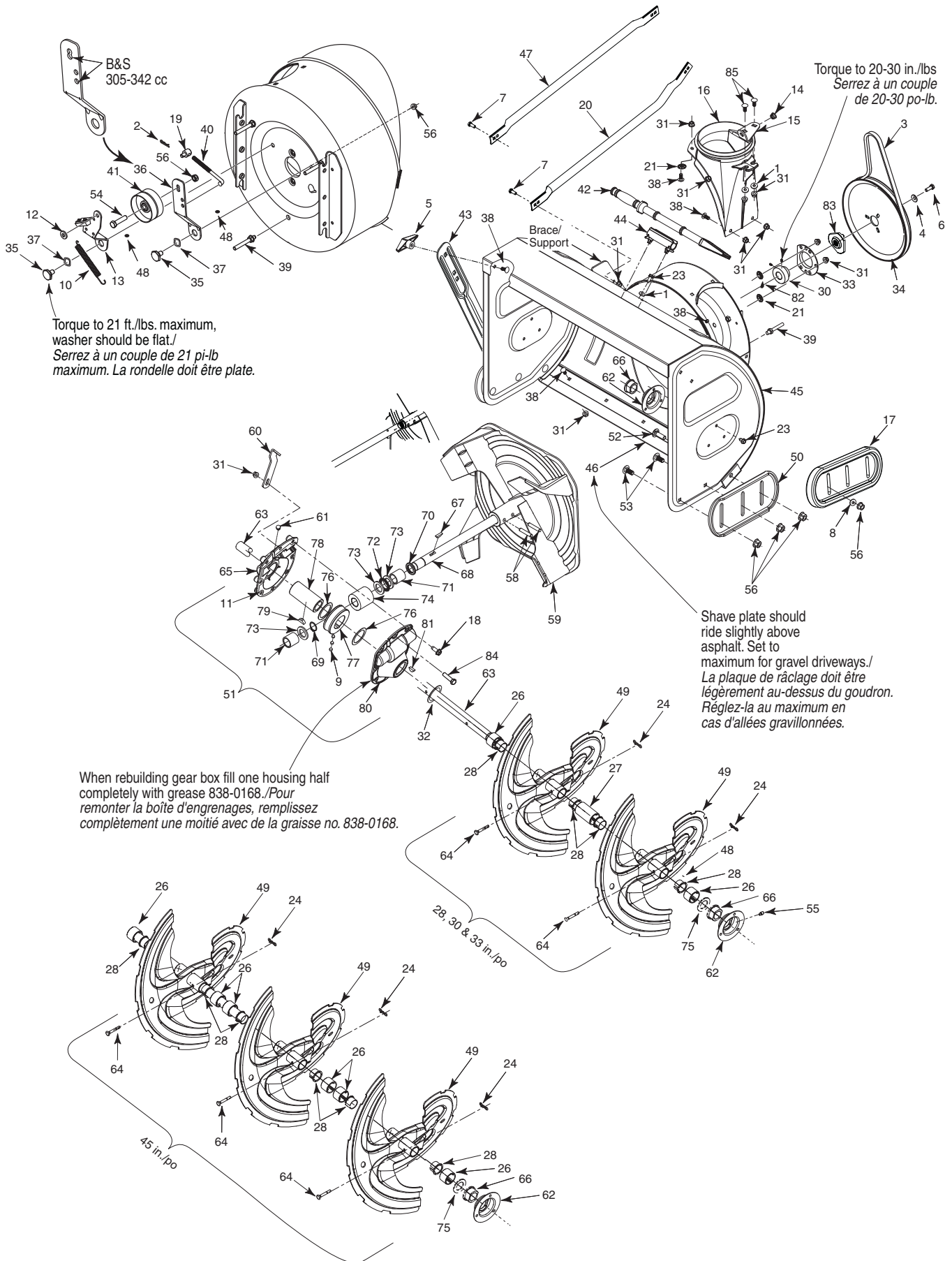
10

Parts List Pièces détachées



For parts and/or accessories refer to customer support on page 2.

Adressez-vous au «Service après-vente» à la page 2 pour ce qui concerne les pièces et/ou accessoires.



REF NO. N° DE RÉF	PART NO. N° DE PIÈCE	DESCRIPTION	DESCRIPTION
1	736-0159	Flat Washer .349 ID x .879 OD x .063	Rondelle plate 0,349 DI x 0,879 DE x 0,063
2	714-0104	Int. Cotter Pin	Goupille fendue
3	754-0222A	V-Belt 1/2 x 44" Lg.	Courroie trapézoïdale 1/2 x 44 po de lg
	754-04131	V-Belt 1/2 x 42" Lg.	Courroie trapézoïdale 1/2 x 42 po de lg
4	736-0505	Flat Washer .34 x 1.5 x .150	Rondelle plate 0,34 x 1,5 x 0,150
5	720-0284	Handle Knob Assembly	Bouton
6	710-1245B	Hex Screw 5/16-24 x .875 Gr. 8 Lock	Vis à tête hexagonale 5/16-24 x 0,875 Qual. 8
7	710-3008	Hex Hd Cap Scr. 5/16-18 x .75 Gr. 5	Vis à tête hex. 5/16-18 x 0,75 Qual. 5
8	736-0262	Flat Washer .385 x .870 x .092	Rondelle plate 0,385 x 0,870 x 0,092
9	737-0168	Shell Alvania Grease (3 oz.)	Graisse (3oz.)
10	732-0858	Extension Spring .470 Dia. x 4.75	Ressort d'extension 0,470 diam. x 4,75
11	721-0328	Ultra Grey Loctite #5699	Loctite n°. 5699
12	736-3008	Flat Washer .344 ID x .75 OD x .120	Rondelle plate 0,344 DI x 0,75 DE x 0,120
13	618-0281A	Brake Bracket Ass'y (900 Series)	Support du frein (séries 900)
14	741-0475	Plastic Bushing .380 ID	Coussinet plastique 0,380 DI
15	784-5123	Chute Brkt.	Support de la bouche d'évacuation
16	731-1696B	Chute Adapter	Adaptateur
17	731-06007	Reversible Slide Shoe (Plastic)	Sabot coulissant réversible (Plastique)
18	710-1260A	Screw, 5/16-18 x .5	Vis taraudée 5/16-18 x 0,5
19	711-0677	Adjustment Ferrule	Virole de réglage
20	749-04489	Support Tubing RH (w/plastic panel)	Support de la tuyau CD (avec panneau en plastique)
	749-04485	Support Tubing LH (w/plastic panel)	Support de la tuyau CG (avec panneau en plastique)
21	726-04012	Push-on Nut .25 diam	Poussée écrou -0,25 diam.
23	710-04484	Hex TT Screw 5/16-18 x .75	Vis taraudée 5/16-18 x 0,75
24	714-04040	Bow Tie Cotter Pin	Goupille fendue
26	731-05163	Spacer 1.5 x 1.0 ID x 1.0" Lg.	Entretoise 1,50 x 1,0 DI x 1,0 po de lg.
27	731-05162	Spacer 1.5 x 1.0 ID x 2.5" Lg.	Entretoise 1,50 x 1,0 DI x 2,50 po de lg.
28	741-0494	Flange Bushing 1.05 ID x 1.16 OD	Coussinet 1,05 DI x 1,16 DE
30	741-04024	Self-Aligning Bearing .875 ID	Roulement autoaligner 0,875 DI
31	712-04063	Hex Fig. L-Nut 5/16-18 Gr. F Nylon	Contre-écrou à embase 5/16-18 Qual. F nylon
32	736-3046A	Flat Washer 1.010 x 1.88 x .060	Rondelle plate 1,010 x 1,88 x 0,06
33	05244B	Bearing Housing	Boîtier de roulement
34	756-04244A	Pulley .5 ID x 10 OD	Poulie 0,5 DI x 10,0 DE
35	738-0281	Shoulder Scr .625 Dia x .170	Vis à épaulement dia 0,625 x 0,170 po
36	784-0385B	Auger Idler Bracket	Support de tension de la tarière
37	736-0174	Wave Washer .625 ID x .885 OD x .015	Rondelle ondulée 0,625 DI x 0,885 DE x 0,015
38	710-0451	Carriage Bolt 5/16-18 x .75	Boulon ordinaire 5/16-18 x 0,75
39	710-04606	Screw 5/16-18 x .43 (w/stud)	Vis 5/16-18 x 0,43 (avec clou)
40	747-0980A	Auger Idler Rod	Tige de tension de la tarière
41	756-0178	Flat Idler Pulley	Poulie de tendeur plate
42	731-2643	Cleanout Tool	Outil de dégagement de la goulotte
43	790-00181	Drift Cutter	Barre de coupe
44	731-2635	Cleanout Tool Mount	Support-outil de dégagement de la goulotte
45	*	Snowthrower Housing Ass'y	Logement du chasse-neige
46	*	Shave Plate	Plaque de raclage
47	749-04384	Support Tubing (w/steel panel)	Tuyau (avec panneau en acier)
48	737-0318	Arctic Grease	Graisse Arctic
49	*	Augers	Tarières
50	784-5697	Reversible Slide Shoe	Sabot coulissant réversible
51	618-04515	Worm Gear Box Ass'y (w/o grease fitting)	Boîte d'assemblage de vis sans fin (sans raccord graisse)
	618-04514	Worm Gear Box Ass'y (w/ grease fitting)	Boîte d'assemblage de vis sans fin (avec raccord graisse)
52	710-3168	Carriage Bolt 3/8-16 x 1.00" (w/steel shoe)	Boulon ordinaire 3/8-16 x 1,00 (avec sabot en acier)
	710-3034	Carriage Bolt 3/8-16 x 1.25" (w/plastic shoe)	Boulon ordinaire 3/8-16 x 1,25 (avec sabot en plastique)
53	710-0389	Carriage Bolt 3/8-16 x .75" (w/steel shoe)	Boulon ordinaire 3/8-16 x 0,75 (avec sabot en acier)
	710-3168	Carriage Bolt 3/8-16 x 1.00" (w/plastic shoe)	Boulon ordinaire 3/8-16 x 1,00 (avec sabot en plastique)
54	710-0347	Hex Hd. Cap Scr 3/8-16 x 1.75 Gr. 5	Vis à tête hexagonale 3/8-16 x 1,75 Qual. 5
55	737-3000	Grease Fitting	Raccord graisseur
56	712-04065	Hex Flange L-Nut 3/8-16 Gr. F Nylon	Contre écrou hex 3/8-16 Qual. F nylon
58	715-0118	Spring Spirol Pin Heavy - 5/16 dia x 1.7	Goupille en spirale 5/16 dia x 1,75 po de lg
59	684-0090B	Blower Fan Ass'y Complete	Ventilateur du chasse-neige complet
60	790-00264A	Gear Housing Support Bracket	Support du carter d'engrenage
61	721-0325	Barbed Plug	Bouchon
62	05845C	Bearing Housing	Boîtier de roulement
	784-0315A	Bearing Housing (w/grease fitting)	Boîtier de roulement (avec raccord de graisseur)

* See chart on next page./ Voir le tableau à la page prochaine

Continued on next page/Suite à la page prochaine

10

Parts List Pièces détachées



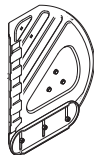
For parts and/or accessories refer to customer support on page 2.

Adressez-vous au «Service après-vente» à la page 2 pour ce qui concerne les pièces et/ou accessoires.

REF NO. N° DE RÉF	PART NO. N° DE PIÈCE	DESCRIPTION	DESCRIPTION
63	*	Auger Shaft	Arbre de tarière
64	738-04155	Shear Pin 5/16-18 x 1.75	Goupille de cisaillement 5/16-18 x 1,75
65	618-0246	Gear Housing Half - RH	Carter d'engrenage au moitié - droit
66	741-0192	Flange Bearing	Roulement à bride
67	714-0126	#9 HI-Pro Key 3/16 x 3/4 Dia HT	Clavette Hi-Pro n° 9 - 3/16 x 3/4 diam
68	711-04714	Auger Drive Shaft	Arbre d'entraînement
69	716-0111	Snap Ring for .875 dia. shaft	Jonc d'arrêt pour arbre de 0,875 dia.
70	721-0145	Oil seal for .875 ID Garlock (76 x 6133)	Joint d'étanchéité d'huile (76 x 6133)
71	741-0217	Sleeve Bearing .875 ID	Palier à douille 0,875 DI
72	741-0184	Thrust Bearing .88 ID x 1.44 OD x .078	Palier à butée 0,88 DI x 1,44 DE x 0,078
73	736-0291	Flat Washer .88 ID x 1.4 OD x .125	Rondelle plate 0,88 DI x 1,40 DE x 0,125
74	717-0299	Worm Gear LH Double Thread	Vis sans fin à double filetage gauche
75	750-04020	Spacer	Entretoise
76	736-0266	Flat Washer 1.5 ID x 2.0 OD x .03	Rondelle plate 1,50 DI x 2,0 DE x 0,03
77	717-1425	Worm Gear LH Double Thread (Bronze)	Vis sans fin à double filetage - gauche bronze
78	738-0275	Worm Gear Shaft	Support du carter d'engrenage
79	714-0135	#91 Woodruff Key 1/4 x 3/4 Dia.	Clavette Woodruff n° 91 1/4 x 3/4
80	618-0247	Gear Housing Half LH	Carter d'engrenages - moitié - CG
	618-0435	Gear Housing Half LH (w/grease fitting hole)	Carter d'engrenages - moitié - CG (avec raccord graisse)
81	714-0135	#91 Woodruff Key 1/4 x 3/4 Dia.	Clavette Woodruff n° 91 1/4 x 3/4
82		Low Temperature grease	Graisse
83	748-04067A	Pulley Adapter .75 Dia. w/pins	Adaptateur de poulie 0,75 diam. avec attaches
84	710-0376	Hex Hd. Cap Scr. 5/16-18 x 1.0 Gr. 5	Vis à tête hex. 5/16-18 x 1,0 Qual. 5
85	710-0276	Carriage Bolt 5/16-18 x 1.00" Lg	Boulon ordinaire de 5/16-18 x 1,00 po de lg



Standard Housing/
Logement standard



Reinforced Housing/
Logement renforcé

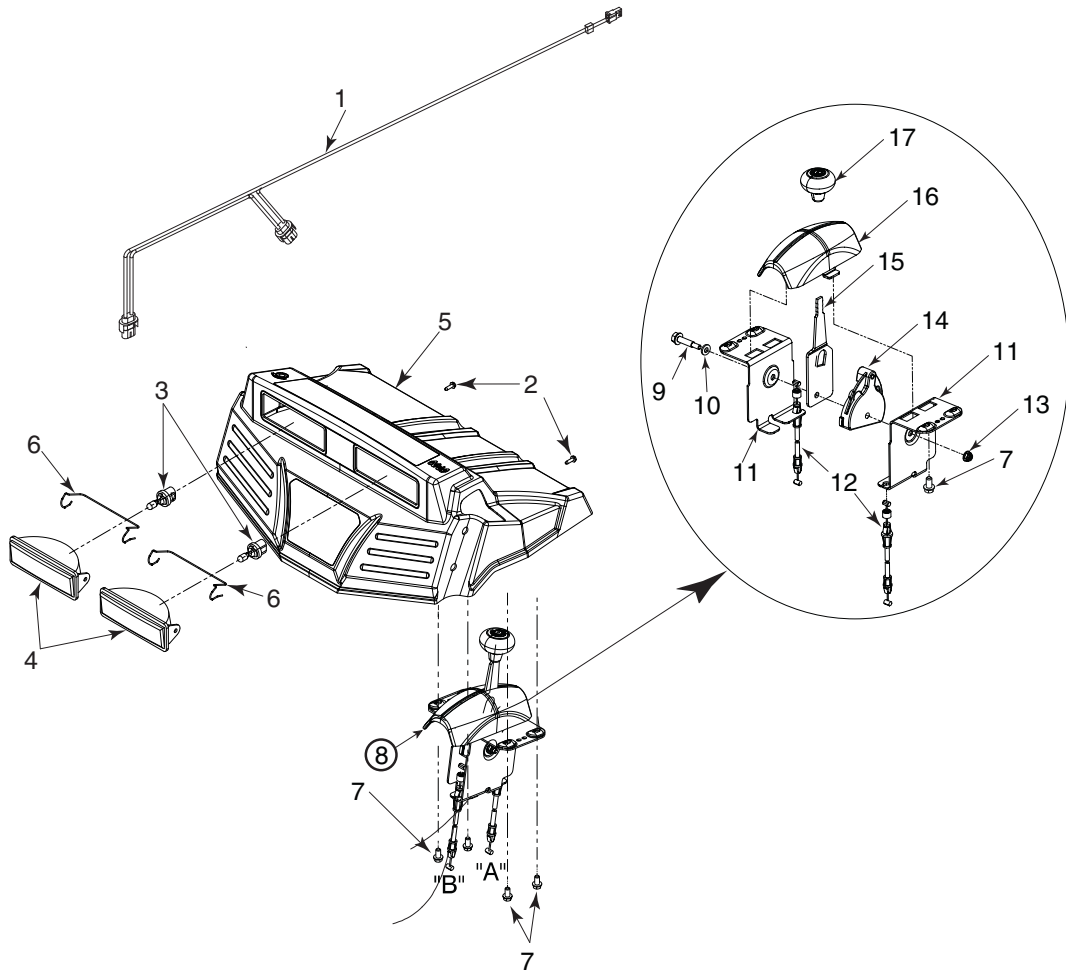
31A-8012
6.9.08

AUGER HOUSING COMPONENTS/COMPOSANTS DU LOGEMENT DES TARIÈRES

SIZE TAILLE	DESCRIPTION	AUGER HSG. LOGEMENT DES TARIÈRES	LH AUGERS TARIÈRES GAUCHE	RH AUGERS TARIÈRES DROIT	AUGER SHAFT ARBRE DES TARIÈRES	SHAVE PLATE PLAQUE DE RACLAGE
28"/28 po	Standard Housing* Logement Standard	684-04213	684-04151	684-04152	738-04156	784-5716B
28"/28 po	Heavy Duty Housing (w/brace) Robuste avec tuyau	684-04332	684-04151	684-04152	738-04156	784-5716B
30"/30 po	Standard Housing* Logement Standard	684-04215	684-04151	684-04152	738-04157	784-5715B
30"/30 po	Heavy Duty Housing (w/brace) Robuste avec tuyau	684-04333	684-04151	684-04152	738-04157	784-5715B
30"/30 po	Reinforced Housing Logement renforcé	684-04225	684-04151	684-04152	738-04157	784-5715B
33"/33 po	Standard Housing* Logement Standard	684-04214	684-04151	684-04152	738-04158	784-5714B
33"/33 po	Heavy Duty Housing (w/brace) Robuste avec tuyau	684-04220	684-04151	684-04152	738-04158	784-5714B
33"/33 po	Reinforced Heavy Duty Hsg. w/brace Logement renforcé avec tuyau	684-04222	684-04151	684-04152	738-04158	784-5714B
45"/45 po	Heavy Duty Housing (w/brace) Robuste avec tuyau	684-04224	684-04151	684-04152	738-04159	790-00280
45"/45 po	Reinforced Heavy Duty Hsg. w/brace Logement renforcé avec tuyau	684-04223	684-04151	684-04152	738-04159	790-00280

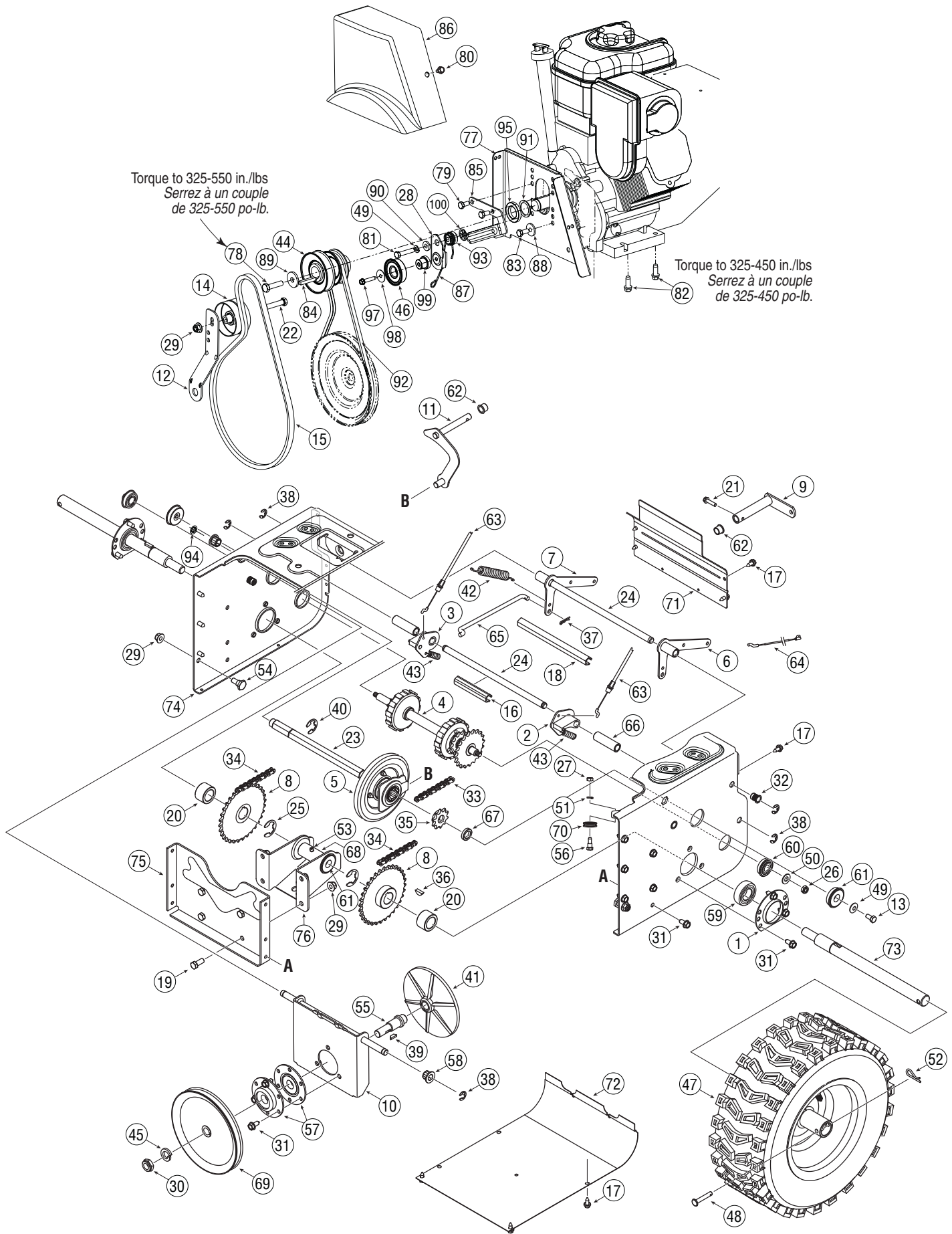
* with or without grease fittings
* avec ou sans raccords de graissage

N/A = Not available
N/D = Non disponible



REF NO. N° DE RÉF	PART NO. N° DE PIÈCE	DESCRIPTION	DESCRIPTION
	STYLE 7		
1	629-04010A	Wire Harness	Faisceau de fil
2	710-1003	Hex Tapp Wash Hd. Scr. #10 x 5/8	Vis n° 10 x 5/8
3	725-1658	Bulb #890, 12 V, 27 Watt	Ampoule n° 890
4	725-1672	Headlight Housing	Phare-carter
5	731-04069	Black Handle Panel	Panneau-noir
6	747-1136	Retainer	Attache
7	710-04187	Hi-Lo Screw 1/4-15 x .5	Vis 1/4-15 x 0,5
8	684-04230	2 Way Chute Control Assembly	Ens. - commande de la goulotte à 2 fonctions
9	738-04185	Flg Shlder Sscrow .310 x .995: 1/4-20	Vis épaulée 0,390 x 0,995: 1/4-20
10	736-0413	Spring Washer .390 x .625 x .012	Rondelle ressort 0,390 x 0,625 x 0,012
11	790-00200	Mounting Bracket - 2 Way	Support - 2 fonctions
12	746-04338	Cable - w/standard chute	Câble - avec goulotte ordinaire
13	712-04064	Hex L-Flanged Nut 1/4-20 Gr. F Nylon	Contre-écrou à embase 1/4-20 Qual. F nylon
14	731-1313C	Cable Guide	Guide de la câble
15	790-00210A	Lever - 2 Way	Levier - 2 fonctions
16	731-05307	Control Cover - 2 Way	Couvercle (2 fonctions)
17	720-04039	Knob	Bouton

HP7A
6.9.08



REF NO. N° DE RÉF	PART NO. N° DE PIÈCE	DESCRIPTION	DESCRIPTION
1	05244B	Bearing Housing	Boîtier de roulement
2	618-0279	LH Dog Assembly	Bride gauche
3	618-0280	RH Dog Assembly	Bride droite
4	618-0282E	Steering Shaft Assembly	Arbre de direction
5	618-04178	Wheel Ass'y Bearing 6.0" OD	Roulement 6,0 po diam.
	718-04034	Friction Wheel Bonded	Roue de friction
	710-0896	Hex Wash. Hd. TT Scr. 1/4-14 x .625	Vis taraudée 1/4-14 x 0,625
6	684-0118B	Actuator Auger Bracket Ass'y	Support
7	684-0119B	Actuator Drive Bracket Ass'y	Support
8	684-04235	32T Sprocket Ass'y	Pignon-32 dents
9	684-0161	Shift Arm Ass'y	Bras de commande
10	684-04212	Friction Drive Support	Support
11	684-04103	Shift Ass'y Rod	Tige de commande
12	784-0385B	Auger Idler Bracket	Support de tension de la tarière
13	710-0538	Hex L-Bolt 5/16-18 x .62	Boulon hex 5/16-18 x 0,62
14	756-0178	Flat Idler Pulley	Poulie de tendeur plate
15	754-04131	V-Belt 1/2 x 42" Lg.	Courroie trapézoïdale 1/2 x 42
16	750-04718	Spacer .51 ID x 3.66" Lg.	Entretoise 0,51 DI x 3,66 po de lg.
17	710-1652	Hex Wash Hd TT Scr. 1/4-20 x .625	Vis taraudée 1/4-20 x 0,625
18	750-04717	Spacer .51 ID x 7.895" Lg.	Entretoise 0,51 DI x 7,895 po de lg.
19	710-3001	Hex Hd. C-Sunk Scr. 3/8-16 x .880 Gr. 5	Vis à chapeau 3/8-16 x 0,880 po de lg
20	750-04703	Spacer 1.0 ID x 1.5" Lg.	Entretoise 1,0 DI x 1,50 po de lg.
21	710-0788	Hex Bolt 1/4-20 x 1.00	Vis à tête hex 1/4-20 x 1,00
22	710-0347	Hex Screw 3/8-16 x 1.75	Vis à tête hex 3/8-16 x 1,75
23	711-04279	Hex Drive Shaft	Arbre d'entraînement
24	711-04605	Actuator Shaft	Arbre
25	716-04048	Retaining Ring	Bague de retenue
26	712-0116	Hex Nut 3/8-24	Écrou hexagonal 3/8-24
27	712-0138	Hex Nut 1/4-28	Écrou hexagonal 1/4-28
28	784-5726	Drive Idler Bracket	Support
29	712-04065	Flange L-Nut 3/8-16 Gr. F Nylon	Contre-écrou à embase 3/8-16 Qual. F nylon
30	712-0413	Hex Jam Locknut 5/8-18 Gr. 5 Nylon	Contre-écrou de blocage 5/8-18 Qual. 5
31	710-04484	TT Screw, 5/16-18 x .75	Vis taraudée 5/16-18 x 0,75
32	712-0717	Nut Insert 3/8-16 UNC	Écrou insérer 3/8-16 UNC
33	713-0284	#41 Chain 1/2" pitch x 36 links- Endless	Chaîne n° 41, pas de 1/2 po x 36 maillons
34	713-0286	#420 Chain 1/2" pitch x 40 links-Endless	Chaîne n° 420, pas de 1/2 po x 40 maillons
35	713-04015	10T Sprocket #41 x .500	Pignon, 10 dents
36	714-0135	Woodruff Key	Clavette
37	714-0104	Int. Cotter Pin 5/16 DIA	Goupille fendue 5/16 DIA.
38	716-0104	E-ring	Bague en «E»
39	714-0388	No. 61 Hi-Pro Key 3/16 x 5/8	Clavette Hi-Pro N° 61-3/16 x 5/8
40	716-0136	Retaining Ring E-Type .875 dia.	Bague en «E» 0,875 diam.
41	717-0302	Aluminum Drive Plate	Plaque d'entraînement en aluminium
42	732-0121	Idler Extension Spring	Ressort extérieur de tendeur
43	732-0209	Extension Spring .47 OD x 2.03 Lg.	Ressort d'extension 0,47 DE x 2,03 po de lg
44	756-0241B	Pulley, Dbl (w/342 cc engine)	Poulie (avec 342 cc moteur)
	756-04351	Pulley, Dbl (w/305 cc engine)	Poulie (avec 305 cc moteur)
45	736-0158	Lockwasher 5/16 ID	Rondelle frein 5/16 DI
46	756-0240	Flat Idler Pulley 3.0 OD	Poulie tendeur 3,0 DE
47		See tire chart on next page.	Voir tableau de la page prochaine
48	711-04615	Clevis Pin	Axe de chape
49	736-0242	Cupped Washer .345 ID x .88 OD x .06	Rondelle creuse 0,345 DI x 0,88 DE x 0,060
50	736-0300	Flat Washer .385 ID x .87 OD x .06	Rondelle plate 0,385 DI x 0,87 DE x 0,06
51	736-0329	L-Wash 1/4 ID	Rondelle frein 1/4 DI
52	714-0149B	Int. Cotter Pin	Goupille fendue
53	737-3000	Grease	Graisse
54	738-0143	Shld. Scr. .500 Dia. x .335" Lg.	Vis à épaulement 0,500 po x 0,335 po de lg
55	738-0279	Drive Plate Spindle	Fusée de plaque d'entraînement
56	738-0924A	Hex Shld.Scr.1/4-28 x .375	Vis à épaulement 1/4-28 x 0,375
57	741-0163A	Bearing Hsg. Ass'y.	Boîtier à roulement à billes
58	741-04108	Hex Flange Bearing	Roulement
59	741-04025	Self aligning brg. 1.0 ID	Palier à alignement automatique
60	741-04076	Ball Bearing .5625 ID x 1.3750 x .437	Roulement à billes 0,5625 DI x 1,3750 x 0,437

Continued on next page/Suite à la page prochaine

10

Parts List Pièces détachées



For parts and/or accessories refer to customer support on page 2.
Adressez-vous au «Service après-vente» à la page 2 pour ce qui concerne les pièces et/ou accessoires.

REF NO. N° DE RÉF	PART NO. N° DE PIÈCE	DESCRIPTION	DESCRIPTION
61	741-0563	Ball Bearing w/snap ring	Roulement à billes avec bague
62	741-0748	Flange Bushing .500 ID x .627 OD	Coussinet 0,500 DI x 0,627 DE
63	746-0949A	Steering Cable	Câble
64	746-0951	Auger Idler Cable	Câble
65	747-0973	Drive Clutch Rod	Tige d'entraînement
66	750-0903B	Split Spacer 1/2 x 5/8 x 2.69	Entretoise 1/2 x 5/8 x 2,69
67	750-0997	Spacer .625 ID x 1.0 OD x .23	Entretoise 0,625 DI x 1,0 DE x 0,23
68	750-1302B	Spacer .6725ID x 1.125OD x 2.485	Entretoise 0,6725 DI x 1,125 DE x 2,485 po de lg.
69	756-0344	1/2" "V" Pulley .625 ID x 7.50 OD	Poulie de 1/2 po 0,625 DI x 7,50 DE
70	756-0625	Cable Guide Roller	Galet de guidage
71	790-00257	Upper Frame Cover	Couvercle du châssis supérieur
72	790-00259	Lower Frame Cover	Couvercle du châssis inférieur
73	711-04608	Axle .995 x 12.6" Lg. (28")	Essieu 0,995 x 12,6" po de lg. (28 po)
	711-04607	Axle.995 x 14.10" Lg (30" & 33")	Essieu 0,995 x 14,10" po de lg. (30 po et 33 po)
	711-04606	Axle .995 x 20.4" Lg. (45")	Essieu 0,995 x 20,4" po de lg. (45 po)
74	790-00255A	Transmission Frame Ass'y (900)	Bâti (900)
75	784-0406A	Frame Support Bracket	Support
76	784-0407	Axle Brg. Support Bracket	Support de roulement
77	790-00254A	Belt Cover Bracket	Support de couvercle
78	710-1044	Hex Screw 3/8-24 x 1.5 Gr. 5	Vis à tête hexagonale 3/8-24 x 1,5 Qual. 5
79	710-0237	Hex Screw 5/16-24 x .625 Gr. 5	Vis à tête hexagonale 5/16-24 x 0,625 Qual. 5
80	710-0607	Hex Wash HD S-Tapp Scr 5/16-18 x .50	Vis auto-taraudeuse hexagonal 5/16-18 x 0,50
81	710-0624	Hex HD. Cap Scr. 5/16-24 x 1.5 Lg. Gr. 5	Vis à tête hexagonal 5/16-24 x 1,5 po de lg Qual. 5
82	710-0654A	Hex Wash HD Tap Scr 3/8-16 x 1.00	Vis autotaraudée 3/8-16 x 1,00
83	710-0627	Hex Hd.Cap Scr. 5/16-24 x 0.75 Gr. 5	Boulon hex 5/16-24 x 0,75 Qual. 5
84	714-0118	Square Key 1/4 x 1/4 x 1.50" Lg.	Clavette 1/4 x 1/4 x 1,50 po de lg
85	790-00167A	Belt Keeper Bracket	Support du protecteur de la courroie
86	731-2531	Belt Cover	Couvercle de la courroie
87	732-04308A	Torsion Spring .850 x 3.33" Lg.	Ressort de torsion 0,850 x 3,33 po de lg.
88	748-0234	Shoulder Spacer .25 THK	Entretoise épaulée
89	736-0247	Flat Washer .406 ID x 1.25 OD x .160	Rondelle plate 0,406 DI x 1,25 DE x 0,160
90	748-04112B	Shoulder Spacer .3175 x .5 x .094	Entretoise épaulée 0,349 x 0,5 x 0,094
91	GW-1166-1	Flat Washer 1.015 x 1.375 x .062	Rondelle plate 1,015 x 1,375 x 0,062
92	754-0367	V-Belt 3/8 x 34.4" Lg.	Courroie trapézoïdale 3/8 x 34,4 po de lg
93	750-04821	Shoulder Spacer .340 x 1.0	Entretoise 0,340 x 1,0
94	726-0221	Speed Nut .50	Écrou rapide 0,50
95	750-04020	Spacer 1.004 x 1.375 x .25	Entretoise 1,004 x 1,375 x 0,25
97	710-0809	Hex Bolt 1/4-20 x 1.25	Boulon hex. 1/4-20 x 1,25
98	736-3092	Flat Washer .265 ID x 1.0 OD x 0.030 HT	Rondelle plate 0,265 DI x 1,0 DE x 0,030
99	750-04571	Shoulder Spacer	Entretoise
100	726-04012	Push on Nut	Écrou poussée

31A-9005
6.3.08

Wheel Assembly Ensemble de roue	Description Description	Tire Roue	Rim Jante	Bearing Roulement	Air Valve Soupape d'air
634-0225 (LH)	16 x 6.5 x 8 X-Trac	734-2031	734-1124	741-0246A	734-0255
634-0226 (RH)	16 x 6.5 x 8 X-Trac	734-2031	734-1124	741-0246A	734-0255
634-04179A (LH)	16 x 4.8 x 8 X-Trac	734-2038	734-1532	741-0246A	734-0255
634-04180A (RH)	16 x 4.8 x 8 X-Trac	734-2038	734-1532	741-0246A	734-0255

5.29.08

NOTES:



For parts and/or accessories refer to customer support on page 2.

Adressez-vous au «Service après-vente» à la page 2 pour ce qui concerne les pièces et/ou accessoires.

NOTES:

For parts and/or accessories refer to customer support on page 2.
Adressez-vous au «Service après-vente» à la page 2 pour ce qui concerne les pièces et/ou accessoires.

GARANTIE LIMITÉE DE TROIS ANS

La garantie limitée qui est énoncée ci-dessous est offerte par MTD Products Limited, pour toutes les marchandises achetées et utilisées au Canada et/ou ses territoires (« l'une ou l'autre entité respectivement appelée « MTD »). « MTD » garantit que ce produit (à l'exception des pièces à usure normale énumérées ci-dessous) est exempt de tout vice de matière et de fabrication pour une durée de trois (3) ans à compter de la date de l'achat initial et s'engage à réparer ou à remplacer, gratuitement et à son choix, toute pièce qui s'avère défectueuse en raison d'un vice de matière ou de fabrication. Cette garantie limitée n'est applicable que si ce produit a été utilisé et entretenu conformément aux instructions de la notice d'utilisation qui l'accompagne. De plus, le produit ne doit pas avoir fait l'objet d'un emploi incorrect ou abusif, d'une utilisation à des fins commerciales, d'une négligence, d'un accident, d'un entretien incorrect, d'une modification, d'un acte de vandalisme, d'un vol, d'un incendie, d'une inondation ou de tout autre dégât causé par tout incident ou désastre naturel. Les dégâts causés par l'installation ou l'utilisation d'une pièce, d'un accessoire ou d'un équipement anexe, dont l'emploi avec le produit faisant l'objet de la notice d'utilisation n'est pas homologué par MTD, rendront la garantie nulle et non avenue.

Les pièces ou composants à usure normale sont garantis exempts de tout vice de matière et de fabrication pour une période de 30 jours à compter de la date d'achat. Les pièces et composants à usure normale comprennent, sans s'y limiter, les batteries, courroies, lames, adaptateurs de lame, sacs à herbe, roues du plateau de coupe des tondeuses à siège, sièges, patins de souffluses, roues de trottement, lames de racle, le caoutchouc de la tarrière et pneus l'huile à moteur, les filtres à air et bougies.

POUR FAIRE HONORER LA GARANTIE : Présentez UNE PREUVE D'ACHAT à la station technique agréée de votre localité. Pour localiser une station technique agréée ou un concessionnaire dans votre région, adressez-vous à MTD Products Limited, Kitchener, Ontario, N2G 4J1 ou appelez le 1-800-668-1238 ou visitez notre site web au www.mtdcanada.com

a. Le moteur ou ses composants. Ces articles peuvent être couverts par une garantie séparée du fabricant. Consultez la garantie du fabricant quant aux conditions. Le moteur Powermore à soupapes à tête n'est pas exclus aux termes de cette garantie.

b. Les pompes, soupapes et pistons des tenduses à bois sont couverts par une garantie séparée d'un an.

c. Les articles d'entretien courant tels que les lubrifiants, filtres, aiguillages de lame et révisions, les réglages de frein, de l'embrayage ou du plateau de coupe et la détérioration normale de la finition du fait de l'utilisation de la machine ou de son exposition aux intempéries.

d. L'entretien ou les réparations effectuées par quiconque autre qu'une station technique agréée.

e. MTD ne garantit pas les produits vendus ou exportés du Canada, de ses possessions et territoires.

f. Les pièces de rechange si elles ne sont pas des pièces MTD authentiques.

g. Les frais de transport des machines et de déplacement des techniciens.

h. Les produits utilisés dans un but commercial. (Certains produits peuvent être accompagnés d'une garantie limitée MTD séparée pour usage commercial. Renseignez-vous auprès du concessionnaire ou détaillant pour plus de détails ou adressez-vous directement au service après-vente de MTD.)

Aucune garantie tacite, y compris toute garantie tacite de qualité marchande ou d'adaptabilité dans un but particulier, ne s'applique aux pièces identifiées ci-dessus après la période de vigueur de la garantie écrite ci-dessus. Aucune autre garantie expresse, qu'elle soit verbale ou écrite, à l'exception des stipulations ci-dessus, n'engage MTD. Pendant la période de garantie, la réparation ou le remplacement du produit ci-dessus constitue le recours exclusif à la disposition du client.

Les stipulations énoncées dans cette garantie offrent le seul recours à la suite de la vente. MTD ne peut être tenue responsable pour toute perte ou tout dommage accessoire ou immatériel comprenant, sans s'y limiter, les frais de remplacement ou de substitution des services d'entretien des pelouses ou les frais de location pour remplacer temporairement un article sous garantie.

Certains juridictions ne permettent pas l'inclusion ou la restriction des dommages accessoires ou matériels ou une limite à la durée de la garantie tacite. Par conséquent, les exclusions ci-dessus peuvent ne pas s'appliquer dans votre situation.

Le remboursement ou remplacement quel qu'il soit ne sera en aucun cas supérieur au montant du prix d'achat du produit vendu. **Toute modification des caractéristiques de sécurité rendra la garantie nulle et non avenue.** L'utilisateur assume tout risque et toute responsabilité en cas de perte, de dommage matériel ou de blessure résultant de l'utilisation incorrecte du produit ou de l'incapacité de l'employer.

LES LOIS LOCALES ET CETTE GARANTIE : Cette garantie limitée n'est offerte qu'à l'acheteur initial ou à la personne à laquelle le produit a été offert en cadeau. Cette garantie limitée n'est offerte qu'à l'acheteur initial ou à la personne à laquelle le produit a été offert en cadeau. Vous pouvez bénéficier d'autres droits qui varient selon les juridictions.

IMPORTANT : Le propriétaire doit présenter le reçu original pour faire honorer la garantie.

MTD Products Ltd., C.P. 1386, Kitchener, Ontario N2G 4J1; téléphone: 1-800-668-1238

05.28.08

Garantie

6



Le non-respect des conseils d'entretien et de lubrification annule la garantie.

Problème	Cause(s)	Solution
Le moteur ne démarre pas	<ol style="list-style-type: none"> 1. Volet de départ n'est pas fermé. 2. Fil de la bougie débranché. 3. Réservoir vide ou essence éventée. 4. Bouton de l'amorceur n'étant pas employé correctement. 5. Bougie défectueuse. 6. Canalisation de carburant bouchée. 7. La clé de contact du moteur n'est pas mise. 8. Robinet d'arrivée de carburant fermé. 	<ol style="list-style-type: none"> 1. Sélectionner la position "volet de départ". 2. Branchez le fil de la bougie. 3. Faites le plein avec une essence propre et fraîche. 4. Consultez le chapitre "Utilisation de la Souffleuse". 5. Nettoyez, réglez l'écartement ou remplacez la bougie. 6. La nettoyez. 7. Mettez la clé. 8. Ouvrez le robinet.
Fonctionnement irrégulier	<ol style="list-style-type: none"> 1. Machine fonctionnant avec le volet de départ fermé. 2. Canalisation de carburant bouchée ou essence éventée. 3. Eau ou saleté dans le système d'essence. 4. Carburateur est mal réglé. 	<ol style="list-style-type: none"> 1. Enlever de la position "volet de départ". 2. Nettoyez la canalisation; faites le plein avec une essence propre. 3. Débranchez la canalisation d'essence au carburateur pour vider le réservoir d'essence. Faites le plein avec une essence fraîche. 4. Adressez-vous à une station technique.
Moteur surchauffe	<ol style="list-style-type: none"> 1. Carburateur est mal réglé. 	<ol style="list-style-type: none"> 1. Adressez-vous à une station technique.
Vibration excessives	<ol style="list-style-type: none"> 1. Pièces desserrées ou vis sans fin endommagée. 	<ol style="list-style-type: none"> 1. Arrêtez immédiatement le moteur et débranchez le fil de la bougie. Serrez tous les boulons et écrous. Si les vibrations persistent, faites vérifier la machine par une station technique agréée.
Perte de puissance	<ol style="list-style-type: none"> 1. Fil de la bougie desserré. 2. Chapeau d'échappement d'aération bouché. 3. Le port d'échappement est bouché. 	<ol style="list-style-type: none"> 1. Branchez et serrez le fil de la bougie. 2. Dégagez la glace et la neige du chapeau. 3. Adressez-vous à une station technique.
La souffleuse n'avance pas	<ol style="list-style-type: none"> 1. Câble d'entraînement mal réglé. 2. Courroie d'entraînement abîmée ou ayant du jeu. 3. La roue de frottement est usée. 	<ol style="list-style-type: none"> 1. Réglez le câble d'entraînement. 2. Remplacez la courroie d'entraînement. 3. Remplacez la roue de frottement.
La souffleuse n'évacue pas la neige	<ol style="list-style-type: none"> 1. Goulotte d'évacuation bouchée. 2. Présence de corps étranger dans la tarière. 3. Câble d'entraînement de la tarière mal réglé. 4. Courroie d'entraînement de la tarière abîmée ou ayant du jeu. 5. Goupille de cisaillement est cisailée. 	<ol style="list-style-type: none"> 1. Arrêtez immédiatement le moteur et débranchez le fil de la bougie. Nettoyez la goulotte d'évacuation et l'intérieur du logement de la tarière. 2. Arrêtez immédiatement le moteur et débranchez le fil de la bougie. Dégagez le corps étranger de la tarière avec l'outil de dégagement de la goulotte ou un bâton. 3. Voir Test de commande de la tarière. 4. Voir le Régime d'entretien. 5. Remplacez la goupille de cisaillement.

Dépannage

8



REMARQUE: Ce

chapitre concerne

des problèmes

d'entretien mineurs.

Pour plus de détails,

adressez-vous au

service après-vente.

- Si le moteur doit être entreposé pendant plus de 30 jours, préparez-le de la façon selon les instructions fournies dans la notice d'utilisation du moteur qui accompagne votre souffeuse.
- Consultez la notice d'utilisation du moteur.
- Enlevez tout les débris sur l'extérieur de la souffeuse.
- Suivez les renseignements de lubrification à la page 16.
- Entreposez la souffeuse dans un endroit sec et propre.
- Prenez soin, avant de remettre une machine à moteur dans un abri métallique ou mal aéré, de bien la protéger contre la rouille. Enduisez la machine en particulier les chaînes, ressorts, roulements et câbles, d'une couche d'huile légère ou de silicone.

Remisage hors saison



AVERTISSEMENT

N'entreposez jamais le moteur avec du carburant dans le réservoir à l'intérieur ou dans des endroits fermés si la ventilation n'est pas adéquate et si les vapeurs de carburant peuvent venir en contact avec une flamme ou une étincelle ou veilleuse d'un chauffe-eau, un radiateur, un fourneau, un sèche-linge ou autre appareil à gaz.

AVERTISSEMENT



La bague de caoutchouc de la roue de frottement a tendance à s'user et devrait être vérifiée périodiquement. Remplacez la bague en caoutchouc de la roue de frottement dès l'apparition de signes d'usure ou si vous apercevez des fendillements.

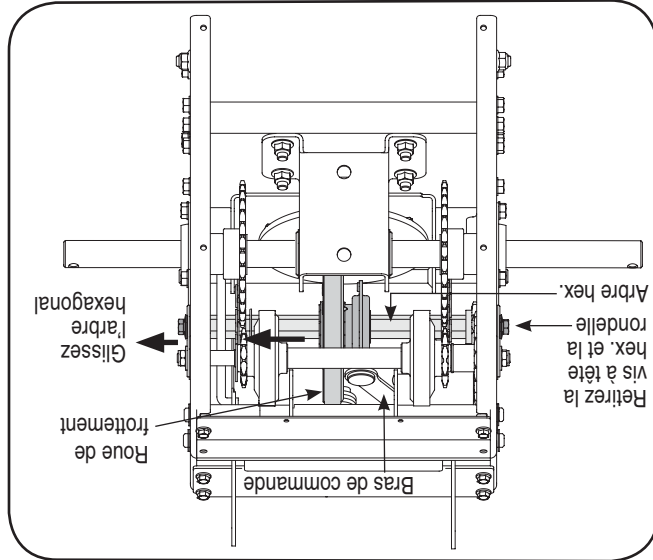


Figure 6-12

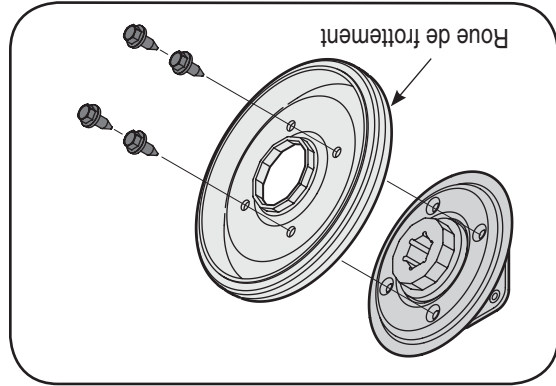


Figure 6-13

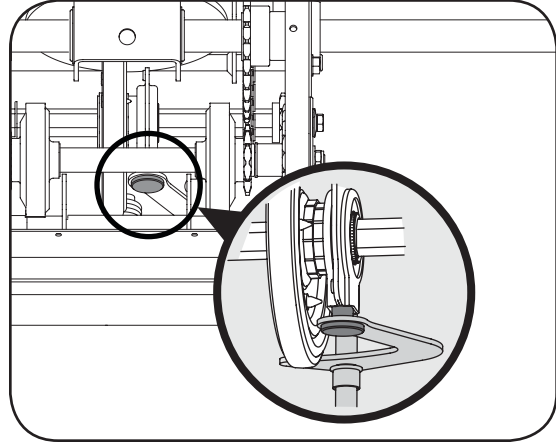


Figure 6-14

- Faites glisser le roulement sur l'extrémité gauche de l'arbre hexagonal par l'extérieur du châssis et serrez le roulement dans le trou du côté gauche du châssis. Maintenez en place avec la rondelle creuse et le boulon hex. enlevée précédemment.
- Maintenez le couvercle du châssis en place avec les six vis auto-taranduses. Reposez la souffeuse dans sa position de fonctionnement normale.

4. Installez la courroie neuve sur les poulies en procédant dans l'ordre inverse et ajustez la tension avec la poulie de tension.
5. Remontez la machine en effectuant les étapes précédentes dans l'ordre inverse.

Changement de la bague en caoutchouc de la roue de frottement



AVERTISSEMENT: Laissez tourner le moteur jusqu'à ce qu'il tombe en panne d'essence avant de faire basculer la souffeuse.

- Basculez la souffeuse vers l'avant pour la faire reposer sur l'habitacle.
- Enlevez les vis auto-taranduses du couvercle du châssis, sous la souffeuse. Voir la Figure 6-12.
- Enlevez la roue (les roues) droite et dégagez celle-ci de l'essieu.
- Utilisez une clé de 3/4 po pour maintenir l'arbre hexagonal, puis retirez la vis à tête hex. et la rondelle creuse du côté gauche du châssis. Voir la Figure 6-12.
- Tenez la roue de frottement et dégagez l'arbre hexagonal de la machine en le glissant vers le côté droit. La rondelle d'écartement sur la gauche de l'arbre hex. va tomber et le pignon devrait rester accroché dans la chaîne.
- Dégagez la roue de frottement entre l'arbre de l'essieu et l'arbre d'entraînement.
- Enlevez les quatre vis de l'ensemble de la roue de frottement et retirez le caoutchouc de la roue de frottement de la plaque de serrage. Voir la Figure 6-13. Jetez le vieux caoutchouc.
- Installez le nouveau caoutchouc de la roue de frottement sur la roue de frottement. Serrez les quatre vis l'une après l'autre dans l'ordre avec une force égale. Pour un fonctionnement correct, il est très important que la bague de caoutchouc soit bien montée de façon symétrique.
- Positionnez la roue de frottement sur la goupille du levier de vitesses. Voir la Figure 6-14.
- Faites passer l'arbre hexagonal à travers le côté droit de l'habitacle et à travers la roue de frottement.
- Glissez l'arbre hexagonal dans le trou du pignon, dans la rondelle d'espacement et dans le roulement à billes du côté gauche. Assurez-vous que la chaîne engage le grand et petit pignons.

REMARQUE: Si le pignon est tombé de la souffeuse pendant le démontage de l'arbre hex., alignez le pignon sur la chaîne puis placez-le sur l'arbre hex. Tournez le moyeu hex. du pignon vers la roue de frottement en glissant le pignon sur l'arbre hex.

9. Bloquez la turbine avec une cale en bois pour empêcher de tourner et utilisez une clé de 1/2 po pour enlever la vis à tête hex. et la rondelle du milieu de la poulie sur l'habillage de la tarière. Voir la Figure 6-10.

REMARQUE : L'adaptateur de la poulie peut se dégager de l'arbre d'admission de la tarière pendant le montage de la poulie. Assurez-vous que l'adaptateur ne tombe pas et/ou ne soit pas endommagé en démontant la poulie.

11. Placez la courroie neuve dans la gorge en V de la poulie de la tarière et positionnez la poulie et la courroie sur l'intérieur des guides de courroie.

12. Tournez la poulie selon le besoin pour aligner les trois fentes avec les taquets de l'adaptateur de la poulie, puis éloignez le support du frein de l'arbre d'admission. Poussez la poulie de la tarière à fond sur l'adaptateur tout en alignant les fentes de la poulie et les taquets de l'adaptateur. Voir la Figure 6-10.

REMARQUE : Si l'adaptateur de la poulie a été démonté en même temps que la poulie, alignez les cannelures de l'adaptateur de la poulie et l'arbre d'admission de la tarière et poussez la poulie et l'adaptateur sur l'arbre d'admission. Voir la Figure 6-10.

13. Glissez la rondelle sur la vis à tête hex. enlevée plus tôt et appliquez le produit Loctite 262 sur les filets de la vis à tête hex.

14. Enfoncez la vis à tête hex. dans la poulie et dans les filets de l'arbre d'admission. Serrez la vis à tête hex. à un couple de 250-325 po/lb pour bien maintenir la poulie de la tarière sur l'arbre d'admission.

Si vous remplacez aussi la courroie d'entraînement, suivez les instructions du paragraphe « Courroie d'entraînement ». Sinon, procédez dans le sens inverse au démontage.

REMARQUE : N'oubliez pas d'enlever la cale en bois qui bloque la turbine.

Réglage correct : Quand la commande de la tarière n'est pas enclenchée, la surface supérieure de la courroie neuve doit être de niveau avec la diamètre extérieur de la poulie.

1. Pour faire le réglage, dégagez la vis du support du frein et tournez-la vers la poulie de tension pour augmenter la tension de la courroie ou dans l'autre sens pour la réduire.

REMARQUE : Le galet du frein, qui fait partie du support du frein, doit toujours être bien enfoncé dans la gorge de la poulie quand la commande de la tarière n'est pas enclenchée.

IMPORTANT : Effectuez à nouveau le « Test de la commande des tarières » avant d'utiliser la souffeuse.

Entretien

6

AVERTISSEMENT



Débrayez toutes les commandes et arrêtez le moteur avant de lubrifier, de réparer ou d'inspecter la machine. Attendez que toutes les pièces en mouvement se soient immobilisées. Enlevez la clé de sûreté pour empêcher tout démarrage accidentel du moteur.



Consultez la partie concernant le Réglage final dans le chapitre Instructions de Montage après avoir remplacé la courroie d'entraînement et de la tarière.

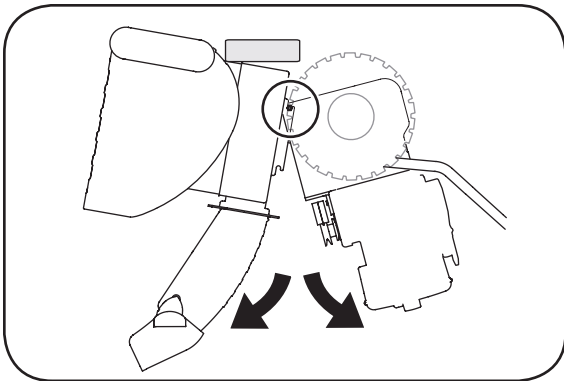


Figure 6-9

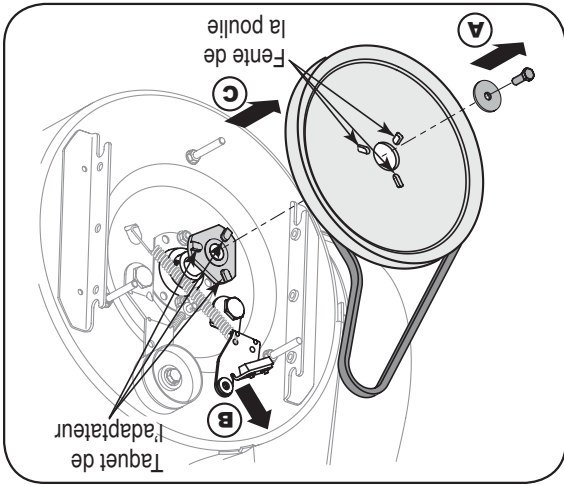


Figure 6-10

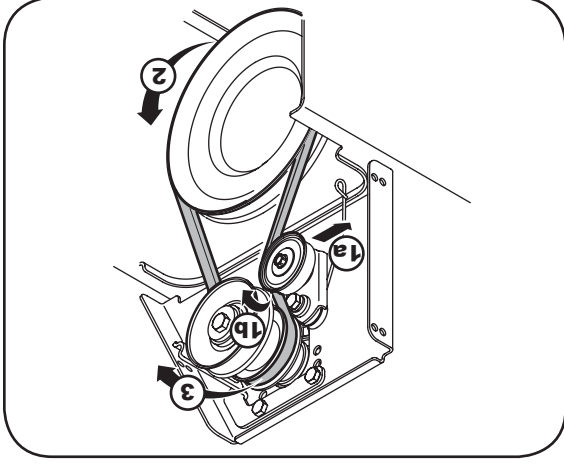


Figure 6-11

- Courroie d'entraînement :**
1. Si cela n'a pas encore été fait, démontez la courroie de la tarière selon les instructions fournies précédemment.
 - a. Éloignez la poulie de tension de l'arrière de la courroie d'entraînement pour relâcher la tension.
 - b. Dégagez la courroie de la poulie de tension. Voir la Figure 6-11. Relâchez la poulie de tension doucement.
 2. Dégagez la courroie d'entraînement de la poulie d'entraînement du bas.
 3. Dégagez la courroie d'entraînement de la poulie de moteur.

IMPORTANT



Ne remplacez JAMAIS les goupilles de cisaillement avec des boulons ordinaires. Les dégâts à l'ensemble de la vis sans fin ou à d'autres composants en résultant ne seront pas couverts par la garantie de votre souffeuse.

Vérifiez l'état de la courroie des tarières

et de la courroie d'entraînement

toutes les 25 heures d'utilisation de la souffeuse. Remplacez toute courroie qui paraît usée.

Les caractéristiques techniques peuvent être modifiées sans préavis ni obligation. Les photos sont fournies à titre indicatif seulement et peuvent ne pas représenter votre modèle exact.

- Tirez le support du frein vers le galet de guidage du câble et décrochez le raccord en «Z» du câble de la tarière. Voir la Figure 6-7.
- Utilisez une clé de 1/2es de po pour retirer les trois vis taraudées à tête hex. de chaque côté du châssis. Ces vis maintiennent le châssis sur l'habillage de la tarière. Voir la Figure 6-8.
- REMARQUE :** N'enlevez pas l'érou de blocage à six pans à bride de chaque côté.
- Placez une cale en bois sous l'habillage de la tarière, comme à la Figure 6-9 et séparez l'habillage de la tarière du châssis en faisant basculer l'habillage vers l'avant et en tirant sur les poignées.

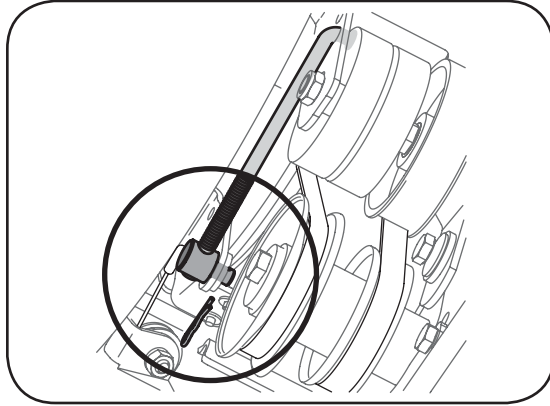


Figure 6-6

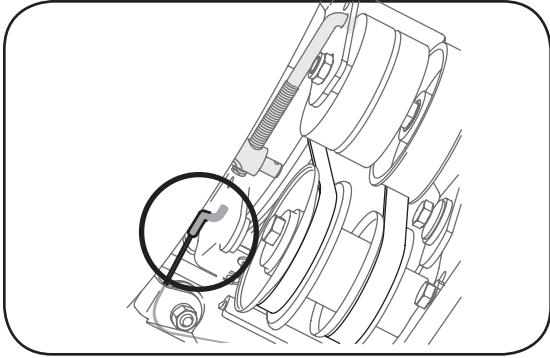


Figure 6-7

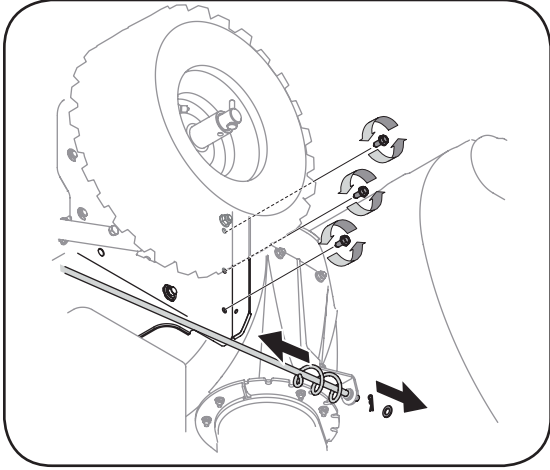


Figure 6-8

Remplacement de les courroies

- Débranchez la manivelle de la goulotte à la goulotte en retirant la goupille fendue et la rondelle plate. Voir la Figure 6-8.
- Enlevez le couvre-courroie en plastique sur le devant du moteur en retirant les trois vis autotaraudées. Voir la Figure 6-4.
- Desserrez le boulon, représenté à la Figure 6-5, qui maintient le support du guide de courroie, puis retirez l'autre boulon.
 - Eloignez le guide de courroie et le support de la poulie motrice. Voir la Figure 6-5.
- Retirez la goupille fendue et la rondelle plate de la vis pour dégager la tige de tension de la tarière du support du frein, comme à la Figure 6-6.
- Dégagez la courroie d'entraînement de la tarière (courroie avant) de la poulie motrice.

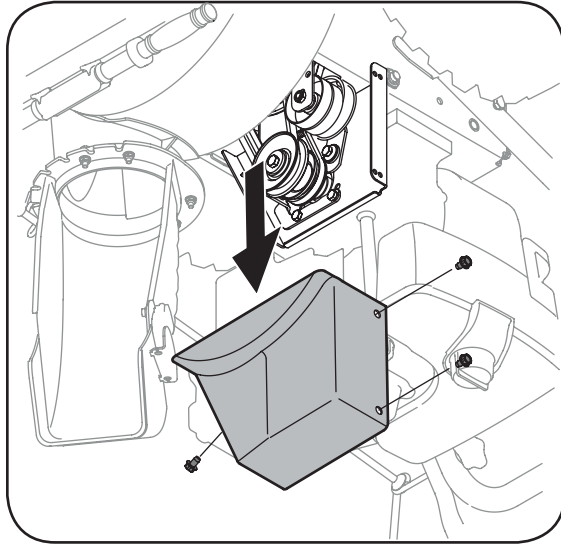


Figure 6-4

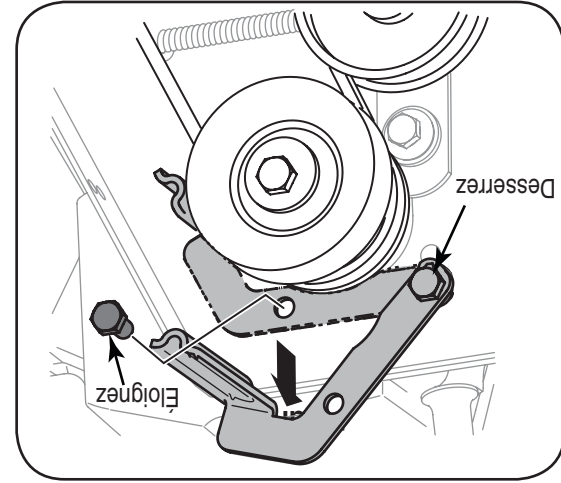


Figure 6-5

Lubrification

Mécanisme d'entraînement et de changement de vitesse

Démontez le capot arrière au moins une fois par saison ou toutes les 25 heures d'utilisation. Lubrifiez les chaînes, pignons, engrenages, roulements, arbres et le mécanisme de changement de vitesse au moins une fois par saison. Utilisez une huile à moteur ou un lubrifiant à vaporiser. Voir la Figure 6-1.

IMPORTANT: Évitez de répandre de l'huile sur la roue de frottement en caoutchouc et sur la plaque d'entraînement. Huilez ou vaporisez du lubrifiant sur les roulements des roues au moins une fois par saison. Démontez les roues, nettoyez et enduisez les essieux d'une graisse automobile à usages multiples.

Roues

Arbre de la tarière

Enlevez les goupilles de cisaillement sur l'arbre de la tarière, au moins une fois par saison. Vaporisez un lubrifiant à l'intérieur de l'arbre et autour des entretoises. Lubrifiez aussi les roulements à bride trouvés à chaque extrémité de l'arbre de la tarière. Voir la Figure 6-2.

Tarières

- Les goupilles de cisaillement et goupilles fendues maintiennent les tarières sur l'arbre de la tarière. Les goupilles sont sensées se cisailier si la souffeuse heurte un objet ou un bloc de glace. Voir la Figure 6-2.
- Si les tarières ne tournent pas, vérifiez si les goupilles se sont cisailées. Deux goupilles de cisaillement et deux goupilles fendues de recharge sont fournies. Vaporisez un lubrifiant à base d'huile sur l'arbre avant d'installer les goupilles.

Lame et patins

La lame plate et les patins sont installés sous la souffeuse et ils risquent de s'user. Vérifiez-les régulièrement et remplacez-les au besoin.

Pour démonter les patins:

1. Enlevez les boulons ordinaires (et la rondelle plate cas échéant) et les contre-écrous à embase qui les maintiennent sur la souffeuse.
2. Remontez les nouveaux patins avec la boulonnerie enlevée précédemment. Assurez-vous que les patins sont ajustés pour être de niveau. Voir la Figure 6-3.

Pour démonter la lame plate:

1. Enlevez les boulons ordinaires et les contre-écrous à embase qui la maintiennent sur l'habitacle de la souffeuse.
2. Installez la lame plate neuve en vous assurant que la tête des boulons ordinaires se trouve sur l'intérieur de l'habitacle. Serrez à fond.

Moteur
Consultez la notice d'utilisation du moteur, fournie avec votre machine quant aux instructions d'entretien et de lubrification du moteur.

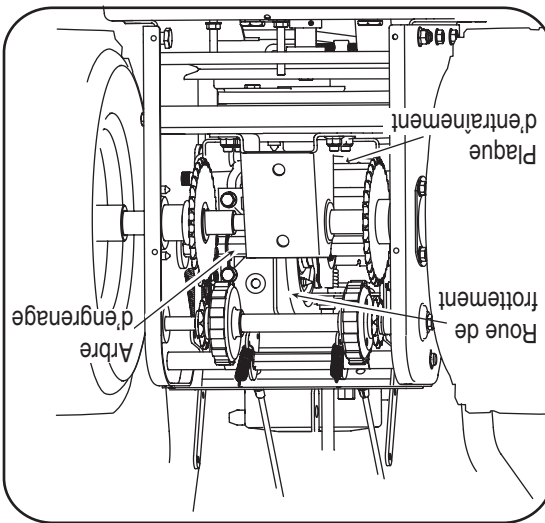


Figure 6-1

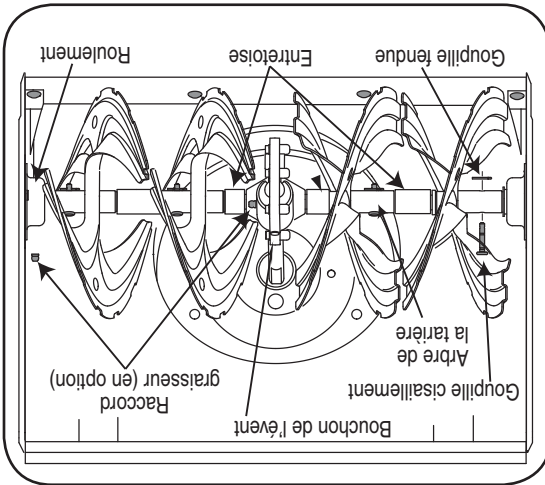


Figure 6-2

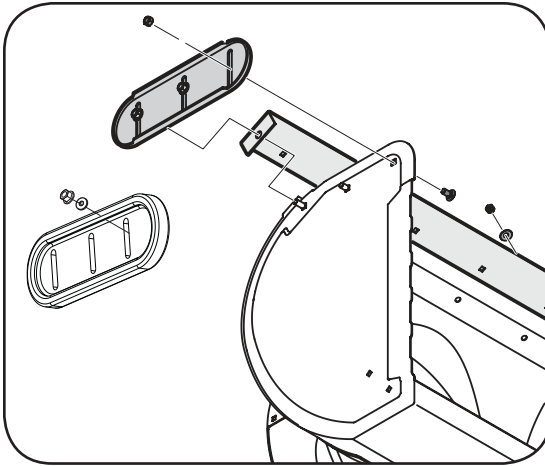


Figure 6-3

6

Entretien



AVERTISSEMENT

Débrayez toutes les commandes et arrêtez le moteur avant de lubrifier, de réparer ou d'inspecter la machine. Attendez que toutes les pièces en mouvement se soient immobilisées. Enlevez la clé de sûreté pour empêcher tout démarrage accidentel du moteur.



Évitez de répandre de l'huile sur la roue de frottement en caoutchouc et sur la plaque d'entraînement.

Patins

L'espace entre la lame plate et le sol peut être modifié en relevant ou en abaissant les patins.

Pour débayer la neige d'une surface lisse en béton ou en goudron, placez les patins à la position basse. Utilisez la position haute ou intermédiaire si la zone à dégager est irrégulière. Sur une surface recouverte de gravier, placez toujours les patins à la position la plus haute. Voir la Figure 5-4.

Procédez comme suit pour ajuster les patins :

1. Desserrez les écrous à six pans qui maintiennent les patins sur l'habillage de la tarière, mais ne les retirez pas.

2. Relevez ou abaissez le patin à la position voulue.

3. Serrez les écrous à six pans desserrés plus tôt.

REMARQUE: Vérifiez que toute la surface inférieure des patins est de niveau et en contact avec le sol pour éviter leur usure inégale.

4. Répétez l'ajustement sur l'autre patin.

Commande de la tarière

Consultez les instructions à la page 9 pour ajuster la commande de la tarière. Vérifiez bien que l'ajustement est correct avant d'utiliser la souffluse.

Goulotte d'éjection

Il est possible d'ajuster la distance de projection de la neige en modifiant l'inclinaison de la goulotte. Référez-vous au chapitre «Commandes de la souffluse». Les câbles de la commande à distance de la goulotte ont été réglés à l'usine. Déplacez la commande à distance d'avant en arrière sur le tableau de commande pour ajuster l'angle de la goulotte.

Ajustement du support de la goulotte

Il est possible d'ajuster le support de la goulotte si la vis sans fin, à la base de la commande de direction de la goulotte, ne s'enclenche pas avec la goulotte. Procédez comme suit :

1. Desserrez les deux écrous qui maintiennent le support de la goulotte et ajustez légèrement la position de celui-ci. Voir la Figure 5-5.

2. Resserrez les écrous.

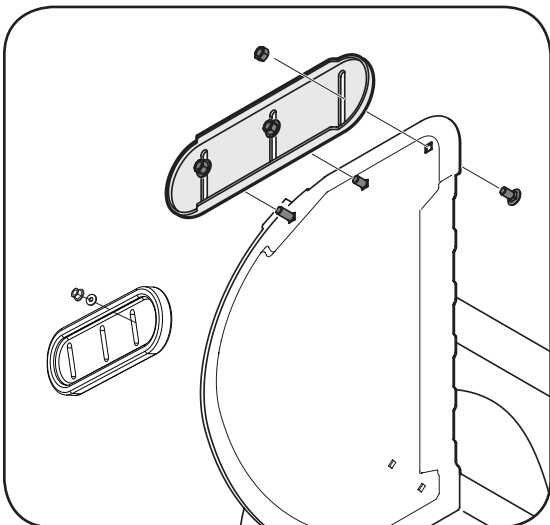


Figure 5-4

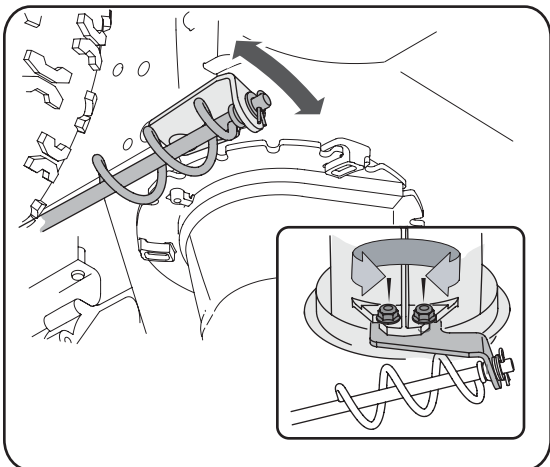


Figure 5-5

IMPORTANT: Il est déconseillé d'utiliser la souffluse sur une surface recouverte de gravier qui, s'il est projeté par la tarière, peut causer des blessures corporelles et des dégâts matériels.

Si pour une raison quelconque, vous devez utiliser la souffluse sur une surface recouverte de gravier, réglez les patins à la position la plus haute pour assurer un dégagement maximal entre le sol et la lame plate.



Réglages

5

5

Réglages

AVERTISSEMENT



Lisez, comprenez, et suivez toutes les instructions et les consignes sur la machine et dans ce notice avant le fonctionnement.

N'essayez jamais d'effectuer un réglage quelconque pendant que le moteur tourne, sauf en cas d'instructions spéciales dans la notice d'utilisation.

Laissez tourner le moteur jusqu'à ce qu'il tombe en panne d'essence avant de faire basculer la souffeuse.

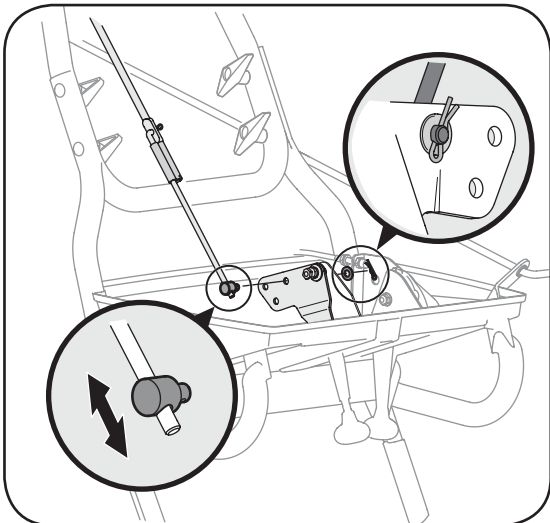


Figure 5-1

Tige du levier de vitesses

S'il n'est pas possible d'utiliser toutes les vitesses (avant et arrière), voir la Figure 5-1 et ajustez le levier de vitesses comme suit:

1. Regardez sous le tableau de bord et notez dans lequel des trois trous du levier de vitesses la virole a été insérée. Notez aussi le sens de l'insertion. Retirez ensuite la goupille fendue interne et la rondelle plate qui se trouvent sur la virole et dégagez la virole du levier de vitesses. Voir la Figure 5-1.
2. Placez le levier de vitesses à la 6e position ou marche avant la plus rapide.
3. Abaissez le levier de vitesses le plus bas possible.
4. Vissez ou dévissez la virole sur la tige du levier de vitesses selon le besoin, jusqu'à ce que la virole soit alignée avec le trou dans lequel elle se trouvait plus tôt. Voir la Figure 5-1.
5. Installez la virole dans le trou approprié, dans le sens noté précédemment.
6. Ré-installez la rondelle et la goupille fendue interne.

Commande de l'entraînement des roues



AVERTISSEMENT: Laissez tourner le moteur jusqu'à ce qu'il tombe en panne d'essence avant de faire basculer la souffeuse.

Consultez la partie concernant le Réglage final dans le chapitre Instructions de Montage pour régler la commande d'entraînement. Pour vérifier ce réglage, procédez comme suit:

1. Basculez la souffeuse vers l'avant et faites-la reposer sur l'habillage de la tarrière.
2. Retirez le couvre-châssis du dessous de la souffeuse en enlevant les vis auto-taraudeuses. Voir la Figure 5-2.

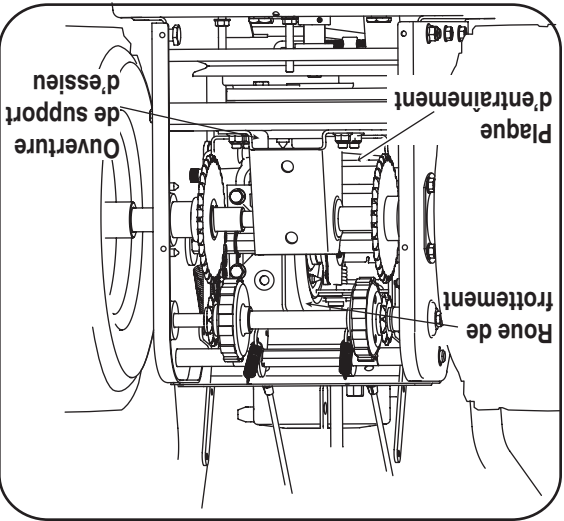


Figure 5-3

3. Débrayez la commande de l'entraînement et vérifiez s'il y a suffisamment d'espace entre la roue de trottinement et la plaque d'entraînement, à toutes les positions du levier de vitesses. Voir la Figure 5-3.
4. Embrayez la commande de l'entraînement, vérifiez si la roue de trottinement touche la plaque d'entraînement. Voir la Figure 5-3. Sinon, faites l'ajustement suivant :
 - a. Desserrez le contre-écrou sur le câble de l'entraînement et vissez ou dévissez le câble selon le besoin.
 - b. Resserrez le contre-écrou pour maintenir le câble lorsque l'ajustement voulu est obtenu.
5. Remontez le couvre-châssis.

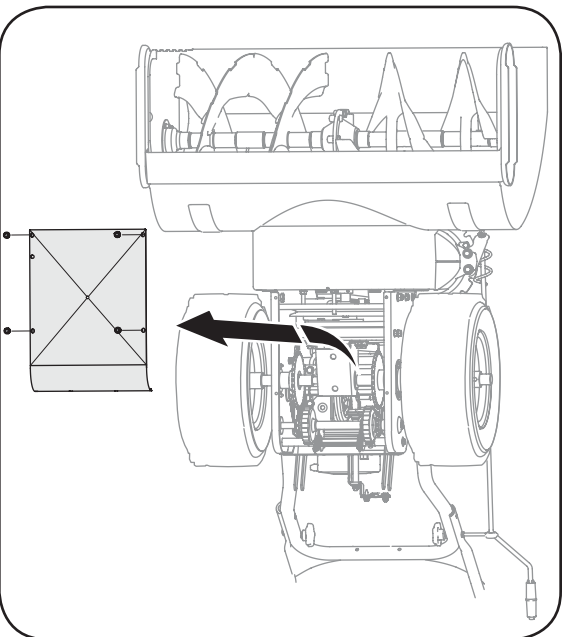


Figure 5-2

Arrêt du moteur

- Laissez tourner le moteur pendant quelques minutes pour sécher toute l'humidité qui aurait pu s'y accumuler.
- Placez l'interrupteur à bascule à la position « Off ».
 - Enlevez la clé de sécurité.
 - Enlevez la soupape d'arrêt du carburant (le cas échéant).
 - Enlevez toute la neige et l'humidité du couvercle du carburateur et près des manettes de commande.

Déplacez celle-ci plusieurs fois.

Pour embrayer la transmission

- Avec le moteur en marche, placez le levier de changement de vitesse à l'une des six positions de marche avant (F) ou à l'une des deux positions de marche arrière (R). Choisissez la vitesse adaptée aux conditions présentes.
- Pressez la commande de la transmission contre le guidon droit pour avancer la souffluse; lâchez-la pour arrêter.

Pour embrayer les tarières

- Pour embrayer les tarières et pour commencer à projeter la neige, pressez la poignée d'embrayage gauche de la tarière contre le guidon gauche. Lâchez la poignée pour arrêter les tarières.
- Alors que la commande de la tarière est embrayée, pressez la commande de la transmission pour avancer. Lâchez-la pour arrêter. Ne changez pas de vitesse quand la commande de la transmission est embrayée.

REMARQUE: La commande de la transmission permet de bloquer la commande de la tarière pour permettre au conducteur d'orienter la goulotte sans cesser de projeter la neige.

- Débrayez la commande de la tarière; le mécanisme de blocage maintient la tarière engagée jusqu'à ce que la commande de la transmission soit débrayée.
- Lâchez la commande de la transmission pour arrêter la tarière et les roues. Pour arrêter la tarière les deux poignées doivent être débrayées.

Conseils d'utilisation

REMARQUE: Laissez le moteur tourner pendant quelques minutes, car il ne développe toute sa puissance que lorsqu'il atteint sa température de fonctionnement normale.



AVERTISSEMENT: La température du silencieux et des zones voisines peut dépasser 150°F (65°C). Évitez de les toucher.

- Le déblaiement sera plus facile s'il est effectué peu de temps après une chute de neige.
- Dans la mesure du possible, projetez la neige dans le sens du vent.
- Chevauchez légèrement les passages successifs.
- Régalez les patins à 1/4 de po en dessous de la lame plate pour un déblaiement normal. On peut relever les patins en cas de neige tassée. Abaissez-les sur les allées recouvertes de gravier.

Recommandations d'ordre général

- Suivez toujours les consignes de sécurité lors de tout entretien de la souffluse.
- La garantie de cette souffluse ne couvre pas les articles et pièces qui ont fait l'objet d'un abus ou d'une négligence de la part de l'utilisateur. Pour bénéficier pleinement de la garantie, l'utilisateur doit entretenir la souffluse selon les instructions de cette notice d'utilisation.
- Il est nécessaire d'effectuer certains ajustements périodiquement pour bien entretenir votre souffluse.
- Vérifiez régulièrement que toute la boulonnerie est bien serrée.



Utilisation de la souffluse



AVERTISSEMENT

La température du silencieux et des zones voisines peut dépasser 150°F (65°C). Évitez de les toucher.



REMARQUE: Servez-vous des vitesses plus lentes jusqu'à ce que vous connaissiez mieux la souffluse.

IMPORTANT

Ne déplacez JAMAIS le levier de vitesses sans avoir d'abord lâché l'embrayage de l'entraînement des roues. Ceci causera l'usage prématuré sur la roue de frotement de système.

5. Pressez deux fois sur l'amorçeur si la température est supérieure à 15°F (-9°C), quatre fois si elle est inférieure à 15°F (-9°C) pour faire démarrer un moteur froid. N'oubliez pas de recouvrir l'évent au milieu de l'amorçeur pendant que vous appuyez.
- REMARQUE:** N'AMORCEZ PAS un moteur chaud après un arrêt bref.
- Démarrateur électrique (sur certains modèles)**
- Vérifiez que le câblage de votre maison comporte trois fils reliés à la terre. Si vous n'êtes pas certain, renseignez-vous auprès d'un électricien.



AVERTISSEMENT: Ce démarreur (en option) est équipé d'un fil et d'une prise électrique à trois fils et il est conçu pour fonctionner sur un courant de 120 volts, C.A. Il doit toujours être relié à la terre pour éviter la possibilité d'une décharge électrique qui pourrait blesser le conducteur. Suivez soigneusement toutes les instructions avant d'utiliser le démarreur électrique.

- Si vous avez une prise de courant à trois trous relié à la terre, procédez comme suit:
1. Branchez le fil électrique dans le démarreur, sur le moteur. Branchez l'autre extrémité du fil dans une prise de courant de 120 volts C.A. à trois trous mise à la terre dans un endroit bien-aéré.
 2. Appuyez sur le bouton du démarreur jusqu'à ce que le moteur se mette en route.
 3. Quand le moteur démarre, lâchez le bouton du démarreur immédiatement.
 4. Au fur et à mesure que le moteur chauffe, tournez lentement le bouton du volet de départ à la position SANS VOLLET | | . Si le moteur hésite, tournez à nouveau le bouton du volet de départ à la position SANS VOLLET | | . Si le moteur hésite, tournez à nouveau le bouton du volet de départ à la position SANS VOLLET | | .
 5. Débranchez d'abord le fil électrique de la prise de courant avant de débrancher l'autre extrémité de la souffeuse.

Démarrateur à lanceur

1. Tirez lentement sur la poignée du démarreur à lanceur jusqu'à ce que vous sentiez une légère résistance. Laissez la corde s'enrouler lentement.
 2. Tirez à nouveau, mais rapidement. Ne laissez pas la poignée revenir brusquement contre le moteur, mais laissez-la s'enrouler lentement tout en le retenant.
 3. Au fur et à mesure que le moteur chauffe, tournez lentement le bouton du volet de départ vers la position SANS VOLLET | | . Si le moteur hésite, tournez à nouveau le bouton du volet de départ à la position SANS VOLLET | | .
- REMARQUE:** Laissez le moteur tourner pendant quelques minutes, car il ne développe toute sa puissance que lorsqu'il atteint sa température de fonctionnement normale.

Outil de dégagement de la goulotte

AVERTISSEMENT: Ne dégagez jamais une goulotte bouchée à la main.

Arrêtez le moteur et restez derrière le guidon jusqu'à ce que toutes les pièces se soient immobilisées avant d'essayer de dégager la goulotte.



1. Débrayez la manette de commande de la tarière et la manette de blocage de la traction/tarière.
2. Arrêtez le moteur en déplaçant l'interrupteur à bascule à la position « Off ». Enlevez la clé de sécurité.
3. Détachez l'outil de dégagement de la goulotte de sa position sur l'arrière de l'habitacle de la tarière.
4. Utilisez l'extrémité en forme de pelle pour déloger et retirer la neige ou la glace qui s'est accumulée dans la goulotte.
5. Remplacez l'outil de dégagement sur l'attache à l'arrière de l'habitacle de la tarière et faites démarrer la souffeuse.
6. Tenez-vous au poste de conduite (derrière la souffeuse) et embraquez la commande de la tarière pendant quelques secondes pour dégager tout reste de neige ou de glace de la goulotte d'éjection.

Patins

Positionnez les patins en fonction de la surface de travail. Redressez-les si la neige est tassée et abaissez-les pour travailler sur des surfaces recouvertes de gravier ou de pierre concassée. Consultez le chapitre «Réglages».

Phare

Le phare s'allume quand le moteur tourne.

Pleins d'essence et d'huile

Vérifiez le niveau d'huile et d'essence et ajoutez au besoin. Suivez les instructions fournies dans la notice d'utilisation du moteur qui accompagne la souffeuse. Veuillez lire ces instructions attentivement.

Pour faire démarrer le moteur

1. Assurez-vous que les commandes de la tarière et de l'entraînement sont débrayées (relâchées).
2. Ouvrez la soupape d'arrêt du carburant (le cas échéant) et vérifiez que l'interrupteur à bascule se trouve en position « On » pour mettre le moteur en marche.
3. Enfoncez la clé de sécurité.
4. Tournez le bouton du volet de départ à la position VOLLET PLEIN | | (démarrage à froid).

REMARQUE: Si le moteur est chaud, tournez le volet de départ à la position SANS VOLLET | | au lieu de VOLLET PLEIN.

AVERTISSEMENT



Utilisation de la souffeuse



Lisez, comprenez, et suivez toutes les instructions et les consignes sur la machine et dans ce notice avant le fonctionnement.

Faites très attention en manipulant de l'essence. L'essence est extrêmement inflammable et les vapeurs sont explosif. Ne faites jamais le plein d'essence à l'intérieur, pendant que le moteur tourne ou quand le moteur est chaud. Éteignez toute cigarettes ou pipe, tout cigare ou toute autre source incandescente.

Utilisation de la souffluse

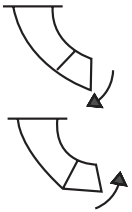


AVERTISSEMENT

Toute souffluse en cours de fonctionnement peut projeter un objet vers les yeux, d'où le risque de blessures graves. Portez toujours des lunettes de sécurité en travaillant avec une souffluse et en effectuant toute réparation ou tout ajustement sur la souffluse.

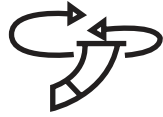
Assurez-vous que personne ne se tient à proximité de la souffluse lors du démarrage ou pendant son utilisation. Ne faites jamais tourner le moteur à l'intérieur ou dans un local clos ou mal ventilé. Les gaz d'échappement du moteur contiennent du monoxyde de carbone, un gaz inodore mortel. Éloignez toujours vos mains, pieds, cheveux et vêtements non ajustés de toutes les pièces en mouvement du moteur et de la souffluse.

Commande de la goulotte à 2 fonctions



Cette manette à 2 fonctions permet de contrôler la distance de projection de la neige par la goulotte. Inclinez la manette vers l'avant ou vers l'arrière pour ajuster la distance de projection.

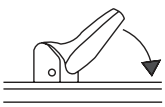
Commande de direction de la goulotte



La commande de direction de la goulotte est placée sur le côté gauche de la souffluse. Pour changer la direction dans laquelle la neige est projetée, tournez la manivelle de la commande de direction de la goulotte comme suit:

- Tournez la manivelle dans le sens des aiguilles d'une montre pour décharger la neige à gauche.
- Tournez la manivelle en sens inverse pour décharger la neige à droite.

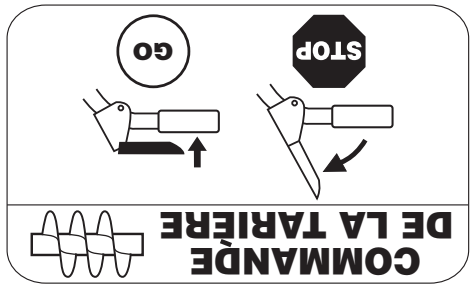
Commande d'orientation des roues



Les commandes d'orientation des roues de droite et de gauche se trouvent en dessous des poignées. Serrez la commande de droite pour tourner vers la droite ou serrez celle de gauche pour tourner vers la gauche.

REMARQUE: Utilisez la souffluse dans des espaces dégagés jusqu'à ce que vous soyez plus habitué aux commandes.

Commande de la tarière



Elle se trouve sur la poignée gauche. Serrez la commande pour embrayer la tarière. Lâchez-la pour arrêter la projection de la neige. Cette commande doit aussi être débrayée pour arrêter la tarière.

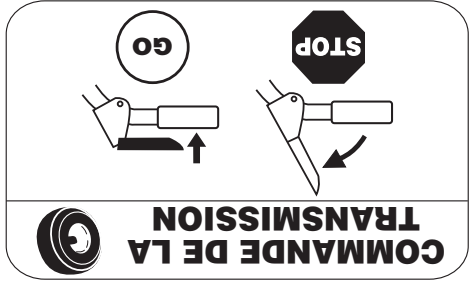
Commande de l'entraînement/Blocage de la commande de la tarière

Cette commande se trouve sur la poignée droite. Serrez la commande pour embrayer les roues. Lâchez-la pour les arrêter.

Cette même manette sert aussi à bloquer la commande de la tarière, ce qui permet de manœuvrer la manivelle de la goulotte sans interrompre la projection de la neige. Si la commande de la tarière et la commande de l'entraînement sont embrayées simultanément, il est possible de lâcher la commande de la tarière (sur la poignée gauche) et de garder la tarière enclenchée. Lâchez la commande de l'entraînement pour arrêter la tarière et les roues (la commande de la tarière doit aussi être lâchée).

Commuteur de chauffage des poignées (le cas échéant)

IMPORTANT: Ne déplacez JAMAIS le levier de vitesses (pour changer de vitesse ou de sens de déplacement) sans avoir au préalable débrayé la commande de la transmission et avoir complètement arrêté la souffluse. Ceci pourrait causer l'usure prématurée de la transmission de la souffluse.



REMARQUE: Les poignées chauffées sont à utiliser en conjonction avec des gants ou mouflés appropriés. Nous recommandons le port de gants ou mouflés lors de l'utilisation de la souffluse.

Commandes de la souffeuse

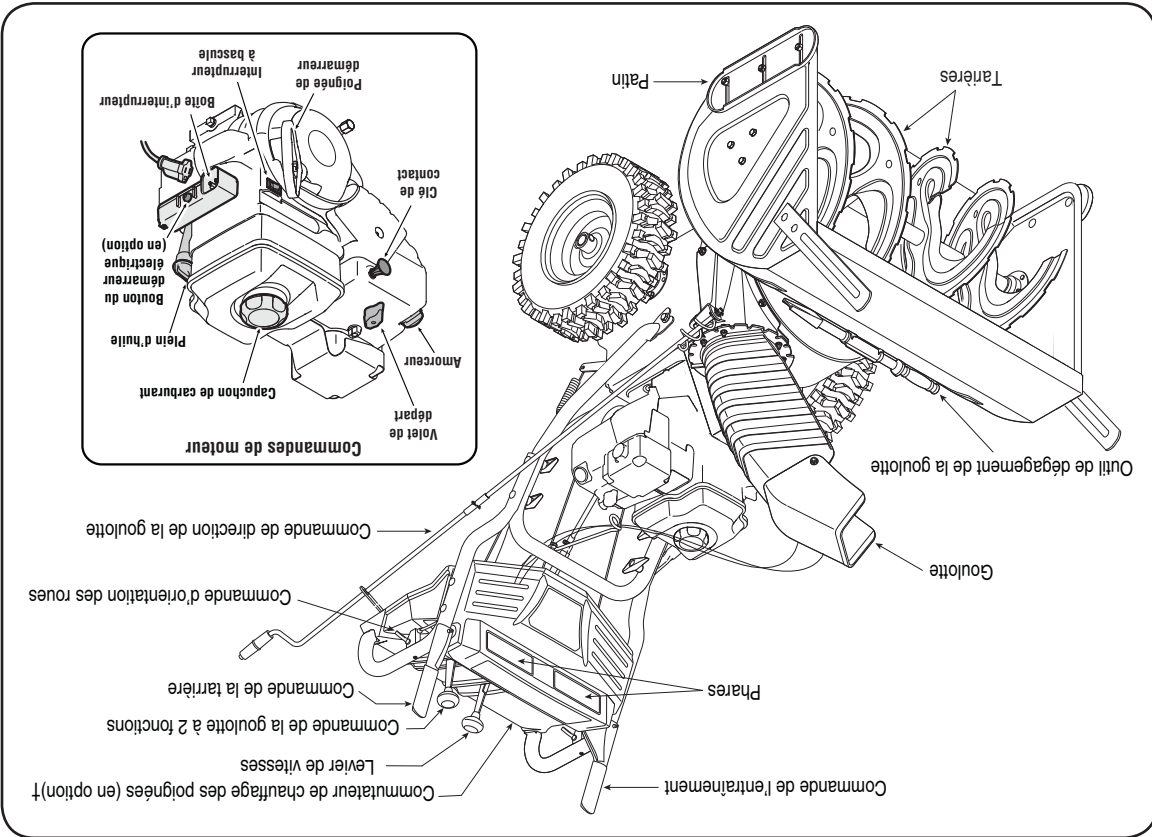


Figure 4-1

Volet de départ

Le volet de départ est trouvé sur le haut du moteur et est activé en tournant le bouton dans le sens inverse des aiguilles d'une montre. Le bouton du volet de départ ferme la plaque sur le carburateur et facilite le démarrage du moteur.



Amorceur

L'entonnement du bouton d'amorçage force le carburant directement dans le carburateur du moteur pour aider à faire démarrer le moteur en temps froid.

Plein d'huile

Il est possible de vérifier le niveau d'huile à moteur et de faire le plein par le goulot de remplissage.

Cle de sécurité

La cle de sécurité doit être bien enfoncée pour que le moteur démarre. Enlevez la cle de sécurité pour éviter toute utilisation non autorisée de l'équipement.

Interrupteur à bascule

Il sert à arrêter le moteur et doit se trouver à la position « On » pour la mise en marche du moteur.



Levier de vitesses

Il se trouve au milieu du tableau de bord et sert à choisir la vitesse et la direction de déplacement. Il peut être placé à l'une quelconque de huit positions.

IMPORTANT: Débrayez toujours la commande de l'entraînement des roues avant de changer de vitesse.

Marche avant: La souffeuse a six marches avant (F). La position 1 est la plus lente et la position 6 la plus rapide.

Marche arrière: La souffeuse a deux marches arrière (R), R1 étant la plus lente des deux.



AVERTISSEMENT



Utilisation de la souffeuse



Lisez, comprenez, et suivez toutes les instructions et les consignes sur la machine et dans ce notice avant le fonctionnement.

Faites très attention en manipulant de l'essence. L'essence est extrêmement inflammable et les vapeurs sont explosif. Ne faites *jamais* le plein d'essence à l'intérieur, pendant que le moteur tourne ou quand le moteur est chaud. Éteignez toute cigarettes ou pipe, tout cigare ou toute autre source incandescente.

3

Instructions de montage



AVERTISSEMENT

Ne dégagez jamais dans la goulotte à la glace ou la neige près de la tarière ou dans la goulotte à la main.



IMPORTANT

Si la pression n'est pas égale dans tous les pneus, la machine risque de tirer d'un côté plus que de l'autre et l'usure de la plaque de raclage sera irrégulière.

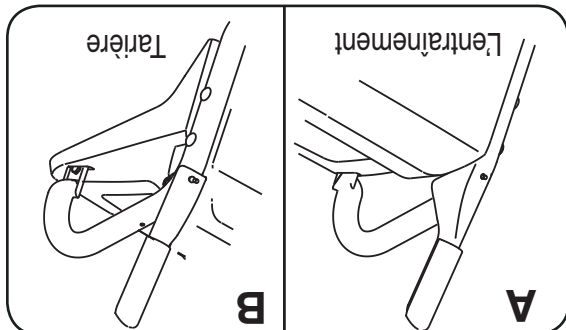


Figure 3-11

- Vérifiez l'ajustement.
- Resserrez le contre-écrou sur le câble quand l'ajustement est satisfaisant.

REMARQUE: Pour plus de détails, consultez la section «Commande de l'entraînement des roues» dans le chapitre «Réglages».

Commande de la tarière

Vérifiez le réglage de cette commande de la façon suivante:

- Débrayez la commande et placez-la en position «relevée» (voir la Figure 3-11B). Le câble doit présenter très peu de jeu sans toutefois être tendu. Voir la Figure 3-12.

AVERTISSEMENT: Ne serrez pas excessivement le câble car ceci pourrait compromettre votre sécurité.



- Choisissez un endroit bien aéré et faites démarrer la souffluse selon les instructions de la page 12.
- Tenez-vous à la position de conduite (derrière la souffluse) et enclenchez la tarière.
- Attendez environ dix secondes avant de débrayer la tarière. Répétez cette opération plusieurs fois.
- Avec la commande de la tarière à la position débrayée et «relevée», Placez-vous devant la machine.
- Vérifiez que la tarière est totalement immobilisée et qu'aucune pièce ne bouge.

IMPORTANT: Si la tarière n'est pas complètement

immobile, retournez immédiatement à la position de conduite et arrêtez le moteur. Attendez que toutes les pièces se soient immobilisées avant d'ajuster à nouveau le câble de la tarière.

- Pour ajuster à nouveau le câble de commande, décrochez le ressort (sur l'extrémité du câble de la tarière) du support de l'actionneur. Voir la Figure 3-12.
- Poussez le raccord du câble dans l'extrémité du ressort pour dégager l'écrou de blocage. Voir la Figure 3-13.

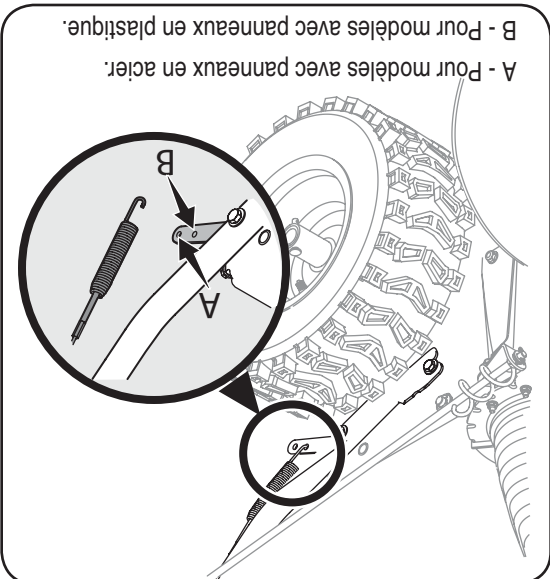


Figure 3-12

A - Pour modèles avec panneaux en acier.
B - Pour modèles avec panneaux en plastique.

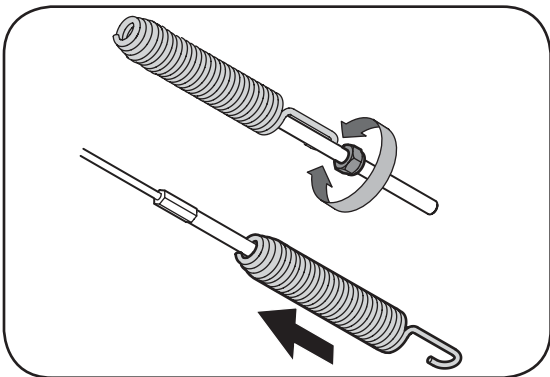


Figure 3-13

- Vissez l'écrou de blocage vers l'extérieur (en descendant sur le raccord) de trois tours complets pour donner plus de jeu au câble et raccrochez le ressort sur le support.

Répétez le test pour vérifier l'ajustement de la commande de la tarière. Répétez les instructions précédentes pour effectuer des ajustements supplémentaires si besoin est.

Patins

Positionnez les patins en fonction de la surface de travail. Redressez-les si la neige est tassée et abaissez-les pour travailler sur des surfaces recouvertes de gravier ou de pierre concassée. Consultez le chapitre «Réglages».

Pression des pneus (Bandages pneumatiques)

Les pneus sont gonflés excessivement pour l'expédition. Avant l'utilisation, vérifiez la pression des pneus avant d'utiliser la souffluse. La pression recommandée par le fabricant est indiquée sur le flanc des pneus et réduisez (ou augmentez) la pression dans les pneus selon le besoin.

- Enlevez les boulons ordinaires en dévissant les écrous à oreilles qui maintiennent les barres de coupe en place.
 - Positionnez les barres de coupe pour qu'elles font face à l'avant comme illustré à la Figure 3-9.
 - Maintenez-les en place avec la boulonnerie enlevée précédemment, les écrous à oreilles devraient être attachés sur l'**extérieur** du logement comme illustré. Si votre souffluse n'est **pas** équipée de barres de coupe, adressez-vous au service après-vente pour tout renseignement concernant le prix et la disponibilité en stock.
 - Modèle de souffluse Barres de coupe
Tous les modèles OEM 390-679
- Outil de dégagement de la goulotte**
- Un outil de dégagement de la goulotte est maintenu sur le dessus de l'habitacle de la tarière avec une attache. L'outil sert à dégager une goulotte bouchée. Voir la Figure 3-10. Consultez le chapitre « Utilisation de la souffluse » pour plus de renseignements concernant cet outil de dégagement de la goulotte.
- REMARQUE:** Cette pièce est à être fixée avec un attache-câble sur l'arrière de l'habitacle de la tarière à l'usine. Coupez l'attache-câble avant de mettre la souffluse en marche.
- AVERTISSEMENT:** Ne dégagez jamais la neige ou la glace près de la tarière ou dans la goulotte à la main.
- Derniers réglages**
- Faites ces derniers réglages avant d'utiliser la souffluse pour la première fois. Sinon, vous risquez de l'endommager.
- Commande de l'entraînement des roues et levier de vitesses**
- Faites le test suivant pour décider si un ajustement est nécessaire:
- Placez le levier de vitesses à la sixième (6e) position. Voir la Figure 4-1.
 - La commande de l'entraînement débrayée (voir la Figure 3-11A), poussez la souffluse, puis tirez-la. La machine doit bouger facilement.
 - Embrayez la commande de l'entraînement et essayez de déplacer la souffluse vers l'avant ou vers l'arrière. Vous devez sentir une résistance.
 - Placez le levier de vitesses à la position de marche arrière rapide (R2) et répétez les deux tests précédents. Si la machine résiste au mouvement quand le levier de vitesses est déplacé de la 6e position à la position R2, soit quand vous essayez de déplacer la machine alors que la commande de l'entraînement est débrayée, ajustez immédiatement la commande de l'entraînement des roues comme suit :
 - Desserrez le contre-écrou qui se trouve sur le câble de la commande de l'entraînement et dévissez le câble d'un tour complet. Voir la Figure 3-13.

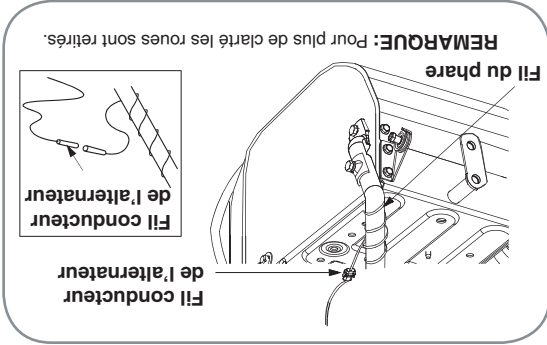


Figure 3-8

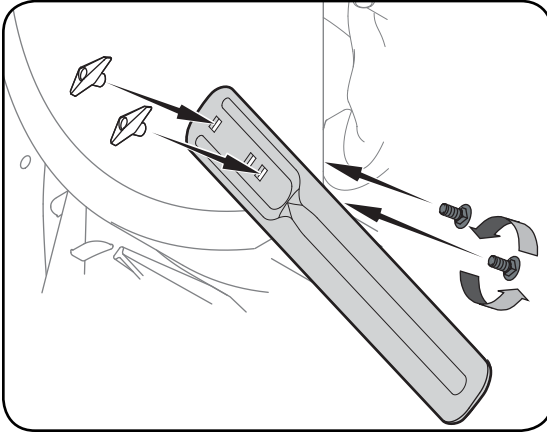


Figure 3-9

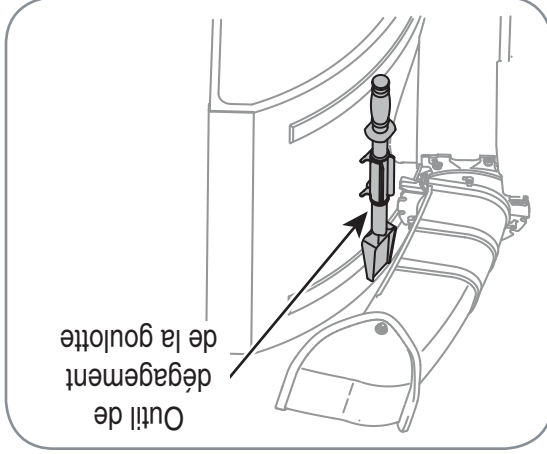


Figure 3-10

3

Instructions de montage



AVERTISSEMENT

Ne dégagez jamais la neige ou la glace près de la tarière ou dans la goulotte à la main.



IMPORTANT

Ne dépassez jamais la pression recommandée par le fabricant. La pression doit toujours être égale dans tous les pneus. Une pression excessive à l'installation des talons peut provoquer l'explosion de l'ensemble pneu et jante et causer des blessures graves. La pression recommandée est indiquée sur le flanc du pneu.

Instructions de montage

3

AVERTISSEMENT



Avant d'utiliser votre souffluse, référez-vous à «Commande de la tarière» à la page 9. Lisez et suivez soigneusement les instructions et effectuez tous les ajustements pour vérifier que votre souffluse fonctionne sans risque et correctement.

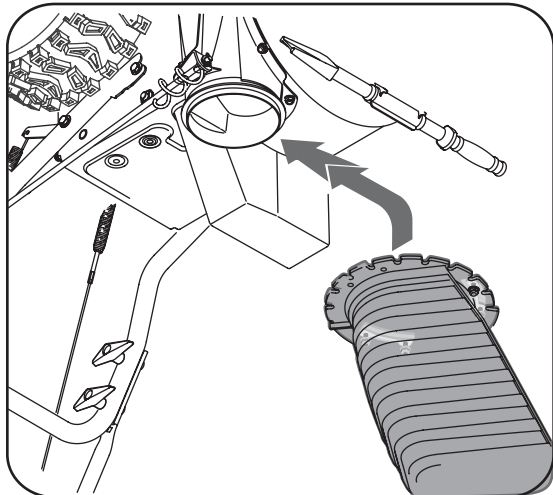


Figure 3-5

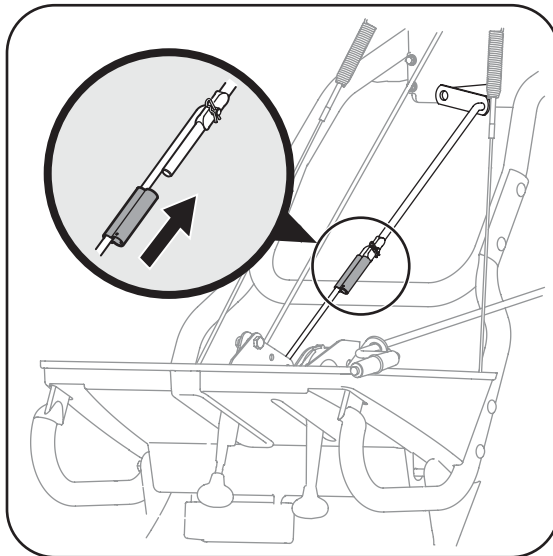


Figure 3-6

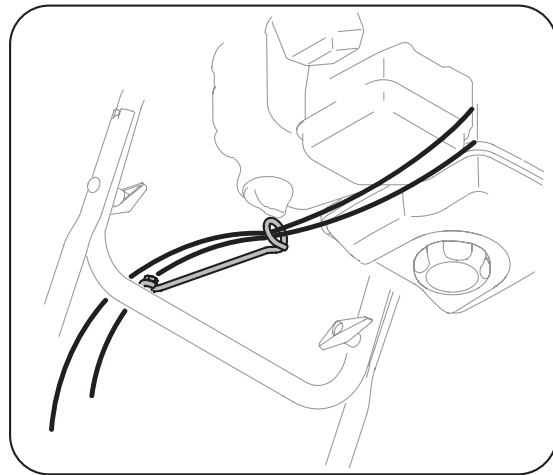


Figure 3-7

Installation de la goulotte

- Retirez les contre-écrous et les vis qui maintiennent l'un des guides des collets sur la goulotte. Voir la Figure 3-4.

- Desserrez mais n'enlevez pas les contre-écrous et les vis sur les deux autres guides des collets.

- Glissez la goulotte sur l'ouverture prévue en orientant l'encoche de la goulotte vers l'avant de la souffluse. Voir la Figure 3-5.

- Remplacez le guide de collet, les contre-écrous et les vis enlevés précédemment. Serrez tous les guides 7/16 po. Ne serrez pas excessivement.

- REMARQUE:** Si besoin est, le support de la manivelle de la goulotte peut être ajusté de manière que la partie hélicoïdale de la manivelle s'engrène bien avec les dents de la goulotte. Consultez le chapitre «Réglages».

Installation de la tige du levier de vitesses

- Alignez les tiges du levier de vitesses inférieure et supérieure et abaissez le raccord des tiges sur l'extrémité de la tige du levier de vitesses inférieure. Tapez sur le raccord jusqu'à ce qu'il passe bien à travers la tige du levier de vitesses inférieure. Voir la Figure 3-6.

- REMARQUE:** Si le raccord n'est pas bien installé, la tige du levier de vitesses pivotera et il sera impossible de changer de vitesse ou de direction.

REMARQUE: S'il n'est pas possible d'utiliser toutes les vitesses (avant et arrière), consultez le chapitre «Réglages».

- Normalement, les attache-câbles retenant les câbles de direction de chaque côté du guidon inférieur ne sont pas serrés à l'usine. Tirez-les bien pour les serrer et coupez toute longueur inutile.
- S'il ne sont pas déjà installés, insérez les câbles, allant du tableau de bord à la goulotte, dans le fil de commande de la goulotte. Voir la Figure 3-7.

Instructions de montage



3

REMARQUE: Cette notice d'utilisation cou-

vre plusieurs modèles. Les traits du souffluse

varient par le modèle. Pas toutes les traits

discutées dans ce notice sont applicables

à tous les modèles de souffluse.

REMARQUE: Les côtés droit et gauche

de la souffluse sont déterminés du poste

de conduite, derrière la souffluse.

REMARQUE: Des goupilles de

cisaillissement et des goupilles fendues de

remplacement sont fournis à cet effet.

Gardez-les dans un endroit sûr.

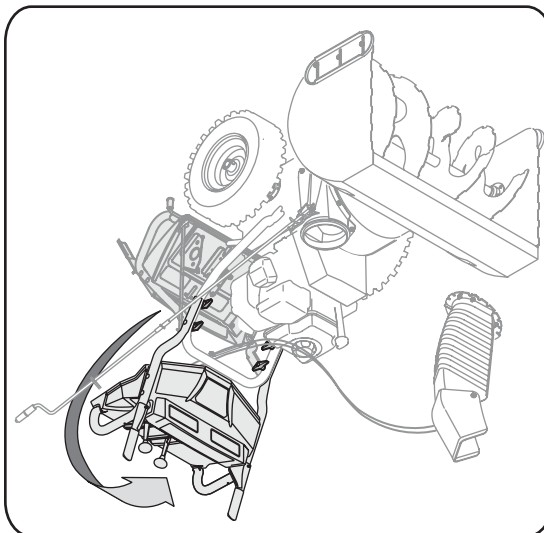


Figure 3-1

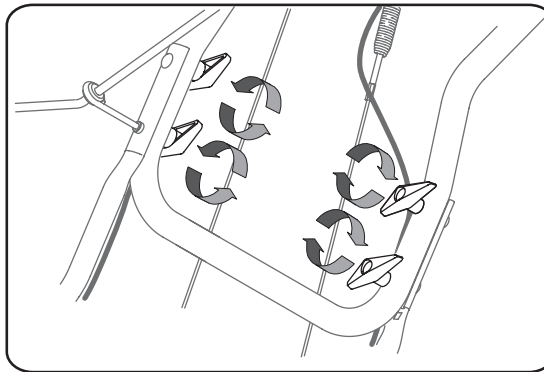


Figure 3-2

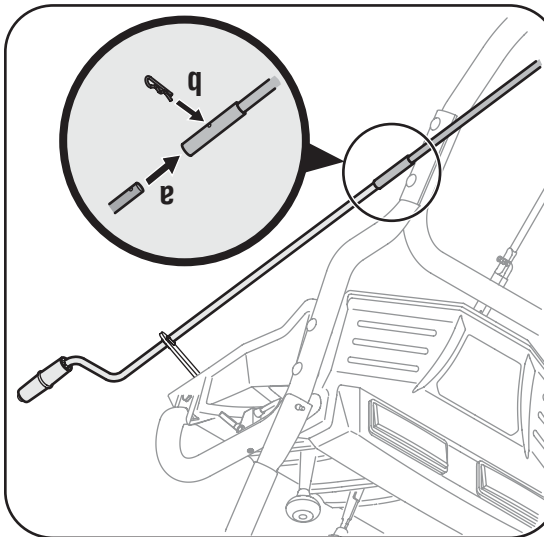


Figure 3-3

IMPORTANT: La souffluse a été expédiée avec le plein d'huile mais SANS ESSENCE. Après l'assemblage veuillez consulter la notice d'utilisation du moteur quant au carburant et à l'huile à employer.

Boulons de cisaillissement

- Les tarières sont fixées sur l'arbre à l'aide de des goupilles de cisaillissement et des goupilles fendues. Les goupilles sont sensées de peut être cisailler si la souffluse heurte un objet ou un bloc de glace. Des goupilles de cisaillissement et des goupilles fendues de remplacement sont fournis à cet effet. Gardez-les dans un endroit sûr.

Articles requis pour l'assemblage

Pinces
Deux clés de 7/16 po ou à molette
Essence fraîche

Montage du guidon

- Vérifiez que tous les câbles sont alignés avec les galets de guidage sur l'arrière du châssis de la souffluse, avant de redresser le guidon. Assurez- vous que le ressort (qui se trouve à l'extrémité de chaque câble) est attaché à son support.
- Enlevez les boutons, rondelles et les boulons ordi- naires intérieurs de chaque côté du guidon supérieur. Voir la Figure 3-2.
- Relevez le guidon supérieur jusqu'à ce qu'il s'emboîte sur le guidon inférieur. See Figure 3-1.
- Attachez les guidons supérieur et inférieur avec les boutons, rondelles et les boulons ordinaires enlevés précédemment.
- Serrez les boutons déjà en place sur les trous supérieurs et fixez les guidons fermement.

Montage de la manivelle de la goulotte

- Dégagez la goupille fendue de l'extrémité de la manivelle supérieure de la goulotte. Entoncez la manivelle supérieure dans la manivelle inférieure. Des pinces peut aider dans ce travail. Voir la Figure 3-3.
- Alignez les trous sur les manivelles. Voir la Figure 3-3.
- Maintenez en place avec la goupille fendue enlevé précédemment.

5. Ne faites jamais fonctionner la machine dans un local clos ou mal aéré car les gaz d'échappement du moteur contiennent du monoxyde de carbone, un gaz inodore très dangereux.
6. Ne vous servez pas de la machine après avoir bu des boissons alcoolisées ou après avoir pris des médicaments.
7. Le silencieux et le moteur deviennent très chauds et peuvent causer des brûlures. Ne les touchez pas.
8. Soyez extrêmement prudent à proximité des routes, allées ou chemins en gravier. Faites attention aux dangers non évidents et à la circulation.
9. Faites très attention en changeant de direction et en travaillant sur une pente.
10. Prévoyez de travailler de projeter la neige vers des fenêtres, murs, voitures, etc. car les débris peuvent ricocher et causer des blessures graves ou des dégâts matériels.
11. Ne dirigez jamais la neige vers des enfants, des spectateurs et des animaux de compagnie et ne permettez jamais à quiconque de se tenir devant la machine.
12. Ne fatiguez pas la machine en essayant de débayer la neige trop rapidement.
13. N'utilisez pas la machine si la visibilité est mauvaise ou si la lumière est insuffisante. Gardez toujours un bon équilibre et tenez fermement le guidon. Marchez, ne courez pas.
14. Débrayez la commande de l'ensemble de la tarrière et de la turbine pour transporter la machine et lorsqu'elle n'est pas utilisée.
15. Ne déplacez jamais rapidement la souffluse sur des surfaces glissantes. Soyez prudent en reculant.
16. Arrêtez le moteur, débranchez le fil de la bougie et mettez-le à terre contre le moteur si la machine commence à vibrer de façon anormale. Vérifiez que la machine n'est pas endommagée. Réparez tout dégât éventuel avant de la remettre en marche.
17. Débrayez toutes les commandes et arrêtez le moteur avant de quitter le poste de conduite (derrière les guidons). Attendez que la tarrière/turbine se soit complètement immobilisée avant de déboucher la goulotte d'éjection, de faire un ajustement quelconque ou d'examiner la machine.
18. Ne placez jamais votre main dans la goulotte d'éjection ou près de l'admission. Utilisez toujours l'outil de dégagement pour déboucher l'ouverture de la goulotte. Ne débouchez pas la goulotte d'éjection pendant que le moteur tourne. Arrêtez le guidon jusqu'à ce que toutes les pièces en mouvement se soient immobilisées avant de déboucher la goulotte.
19. N'utilisez que des accessoires homologués par le fabricant de la machine. (ex. poids de roues, chaînes, cabine etc.)
20. Pour mettre le moteur en marche, tirez lentement sur la corde jusqu'à ce que vous sentiez une légère résistance, puis tirez plus rapidement. La rétraction rapide de la corde du démarreur (recul) attire la main et le bras vers le moteur plus vite qu'il n'est possible de lâcher la corde. Ceci peut causer une fracture, des ecchymoses ou une entorse.
21. Faites toujours preuve de bon sens dans des situations qui n'ont pas été abordées par cette notice d'utilisation. Adressez-vous au service après-vente pour obtenir le nom du concessionnaire le plus proche de chez vous.

Entretien et Remisage

1. Ne modifiez jamais les dispositifs de sécurité. Vérifiez souvent l'entretien et les réglages dans cette notice d'utilisation.
 2. Avant de nettoyer, de réparer ou d'examiner la machine, débrayez toutes les commandes et arrêtez le moteur. Attendez que la tarrière/turbine se soit complètement immobilisée. Débranchez le fil de la bougie et mettez-le à la terre pour empêcher tout démarrage accidentel pendant le nettoyage, la réparation ou l'examen de la machine.
 3. Vérifiez régulièrement que les boulons et vis sont bien serrés et maintenez la machine en bon état de marche. Examinez soigneusement la machine pour vous assurer qu'elle n'est pas endommagée.
- 06.09.08
- mortelles.
- D'après la Consumer Product Safety Commission (CPSC - Commission sur la sécurité des produits de consommation) et la "U.S. Environmental Protection Agency" (EPA - Agence américaine de protection de l'environnement), ce produit a une *durée de vie utile moyenne* de sept (7) ans, ou 60 heures de fonctionnement. Au terme de cette *durée de vie utile moyenne*, achetez une machine neuve ou faites inspecter la machine chaque année par une station technique agréée pour vous assurer que tous les dispositifs mécaniques et de sécurité sont en bon état de marche et ne sont pas usés de façon excessive. Le non-respect de ces recommandations peut causer des accidents et des blessures graves ou mortelles.
- ### Durée de vie utile moyenne
- Le non-respect de ces instructions peut entraîner des blessures corporelles.
- ### AVIS CONCERNANT LES ÉMISSIONS DE GAZ
- Les moteurs certifiés conformes aux normes régulatrices de la Californie et de l'agence EPA fédérales pour SOHC (petit équipe-ment hors route) sont certifiés pour fonctionner avec de l'essence sans plomb ordinaire et peuvent être dotés des systèmes de contrôle des émissions de gaz suivants : Engine Modification (EM) et Three Way Catalyst (TWC) le cas échéant.
- ### Durée de vie utile moyenne
- Le non-respect de ces instructions peut entraîner des blessures corporelles.
- ### AVIS CONCERNANT LES ÉMISSIONS DE GAZ
- Les moteurs certifiés conformes aux normes régulatrices de la Californie et de l'agence EPA fédérales pour SOHC (petit équipe-ment hors route) sont certifiés pour fonctionner avec de l'essence sans plomb ordinaire et peuvent être dotés des systèmes de contrôle des émissions de gaz suivants : Engine Modification (EM) et Three Way Catalyst (TWC) le cas échéant.
- ### Durée de vie utile moyenne
- Le non-respect de ces instructions peut entraîner des blessures corporelles.

Cette machine ne doit être utilisée que par des personnes qui peuvent lire, comprendre et respecter les avertissements et instructions qui figurent dans cette notice et sur la machine.

Votre responsabilité

CE SYMBOLE!

L'AVERTISSEMENT

RESPECTEZ

ce symbole

qui figure dans cette notice d'utilisation avant d'essayer de vous servir de cette machine. Le non-respect de ces instructions peut entraîner des blessures corporelles.

AVERTISSEMENT



sécurité

de

Consignes



AVERTISSEMENT: Les gaz d'échappement de ce produit contiennent des produits chimiques reconnus dans l'Etat de Californie comme causant le cancer, des anomalies congénitales ou d'autres problèmes liés à la reproduction.



DANGER: Cette machine doit être utilisée conformément aux consignes de sécurité qui figurent dans la notice d'utilisation. Comme avec tout appareil motorisé, une négligence ou une erreur de la part de l'utilisateur peut entraîner des blessures graves. Cette machine peut amputer mains et pieds et projeter des débris. Par conséquent, le non-respect de ces consignes peut causer des blessures corporelles graves et même mortelles.

Manipulation de l'essence

Pour éliminer tout risque de blessure grave, faites très attention en manipulant de l'essence. Il s'agit d'un produit extrêmement inflammable et les vapeurs risquent d'exploser. Vous pouvez être grièvement blessé si des éclaboussures sur votre peau ou sur vos vêtements s'enflamment. Rincez votre peau et changez immédiatement de vêtements.

- Remisez le carburant dans des bidons homologués seulement.
- Éteignez toute cigarette ou pipe, tout cigare ou toute autre source incandescente.
- Ne faites jamais le plein à l'intérieur.
- N'enlevez jamais le capuchon d'essence et n'ajoutez pas d'essence pendant que le moteur tourne.
- Laissez le moteur refroidir pendant au moins deux minutes avant de faire le plein.
- Ne faites jamais déborder le réservoir. Laissez un espace d'un demi-pouce environ pour permettre l'expansion du carburant.
- Ressortez bien le capuchon d'essence.
- En cas de débordement, essayez toute éclaboussure sur le moteur et la machine. Déplacez la machine et attendez 5 minutes avant de la remettre en marche.
- Ne remisez jamais la machine ou les bidons d'essence à l'intérieur s'il y a une flamme, une étincelle ou une veilleuse (d'un chauffe-eau, un padlock, un fourneau, un sèche-linge ou autre appareil à gaz).
- Laissez la machine refroidir pendant au moins 5 minutes avant de la remiser.
- Ne remplissez jamais les contenants d'essence dans un véhicule, un camion ou une remorque à revêtement en plastique. Placez toujours les contenants au sol, loin de tout véhicule, déchargez l'équipement motorisé du camion ou de la remorque et faites le plein au sol. Si ce n'est pas possible, faites le plein de l'équipement motorisé sur le camion s'il y a une remorque en utilisant un contenant d'essence plutôt qu'avec le pistolet de distribution de la pompe d'essence. Maintenez toujours le contact entre le pistolet de distribution et le bord du réservoir d'essence ou l'ouverture du contenant pendant le remplissage. N'utilisez pas un pistolet des surfaces glissantes.

Formation

- Assurez-vous de lire et de bien comprendre toutes les instructions qui figurent sur la machine et dans la notice d'utilisation avant de la mettre en marche. Conservez cette notice d'utilisation à un endroit sûr pour toute consultation ultérieure et pour commander des pièces de rechange.
- Familiarisez-vous avec les commandes et la bonne utilisation de cette machine avant de vous en servir. Apprenez à arrêter la machine et à débayer rapidement les commandes.
- Ne permettez jamais à des enfants de moins de 14 ans de se servir de la machine. Des adolescents plus âgés doivent lire la notice d'utilisation, bien comprendre le fonctionnement de la machine et respecter les consignes de sécurité. Ils doivent apprendre à utiliser la machine et s'en servir sous la surveillance étroite d'un adulte.
- Ne permettez jamais à des adultes ne connaissant pas bien le fonctionnement de la machine de s'en servir.
- Les objets projetés par la machine peuvent causer des blessures graves. Prévoyez de travailler en évitant de projeter la neige vers la route, des spectateurs, etc.
- Gardez les spectateurs, les animaux de compagnie et les enfants à une distance d'au moins 75 pieds de la machine quand elle est en marche. Arrêtez la machine si quelque un s'approche.
- Soyez toujours prudent pour ne pas glisser ou tomber, surtout en reculant.

Préparation

- Portez toujours des lunettes de sécurité en utilisant la machine ou en effectuant un réglage ou une réparation. Un objet peut en effet être projeté, ricocher et vous blesser aux yeux.
- Ne travaillez pas sans porter des vêtements d'hiver adéquats. Ne portez pas de bijoux, d'écharpes longues ou de vêtements amples qui risquent de se prendre dans les pièces en mouvement. Portez des chaussures qui améliorent votre stabilité sur des surfaces glissantes.
- Utilisez une rallonge à 3 fils et une prise de courant mises à la terre avec toutes les machines équipées d'un moteur à démarrage électrique.
- Réglez la hauteur de l'habitacle pour éviter tout contact avec les surfaces en gravier ou en pierre concassée.
- Débayer toutes les commandes avant de mettre le moteur en marche.
- N'essayez jamais de régler le moteur pendant qu'il tourne (à moins d'indications contraires de la part du fabricant).
- Laissez le moteur et la machine s'habituer à la température extérieure avant de commencer à débayer.

Utilisation

- Ne placez jamais vos mains ou vos pieds près d'une pièce en mouvement, dans l'habitacle de la tarèle ou de la turbine ou dans la goulotte d'éjection. Les pièces en mouvement peuvent amputer mains et pieds.
- La manette de commande de l'ensemble de la tarèle et de son rôle ce qui rendrait dangereux l'emploi de la machine et pourrait causer des blessures corporelles.
- Toutes les manettes de commande doivent fonctionner facilement dans les deux directions et revenir automatiquement à la position de débayerage lorsqu'elles sont relâchées.
- Ne travaillez jamais sans la goulotte d'éjection ou si elle est endommagée. Laissez tous les dispositifs de sécurité en place et assurez-vous qu'ils sont en bon état.

Consignes de sécurité



AVERTISSEMENT

Ce symbole attire votre attention sur des consignes de sécurité importantes qui, si elles ne sont pas respectées, peuvent mettre en danger non seulement votre personne et vos biens, mais aussi ceux d'autrui. Prière de lire toutes les instructions figurant dans cette notice d'utilisation avant d'essayer de vous servir de cette machine. Le non-respect de ces instructions peut entraîner des blessures corporelles.

RESPECTEZ

L'AVERTISSEMENT QUI ACCOMPAGNE CE SYMBOLE!

Votre responsabilité

Cette machine ne doit être utilisée que par des personnes qui peuvent lire, comprendre et respecter les avertissements et instructions qui figurent dans cette notice et sur la machine.

Cette page illustre et explique les symboles de sécurité qui peuvent se trouver sur cette machine. Veuillez lire et suivre toutes les instructions sur la machine et vous assurer de bien les comprendre avant d'essayer d'assembler et d'utiliser la machine.

Description	Symbole
VEUILLEZ LIRE LA OU LES NOTICES D'UTILISATION. Veuillez lire et suivre toutes les instructions sur la machine et vous assurer de bien les comprendre avant d'essayer d'assembler et d'utiliser la machine.	
AVERTISSEMENT – LAMES EN MOUVEMENT N'approchez pas les mains de l'ouverture d'éjection pendant que la machine fonctionne. Des lames en mouvement sont à l'intérieur.	
AVERTISSEMENT – LAMES EN MOUVEMENT N'approchez pas les mains de l'ouverture d'éjection pendant que la machine fonctionne. Des lames en mouvement sont à l'intérieur.	
AVERTISSEMENT – TARIÈRES EN MOUVEMENT N'approchez pas les mains ou les pieds des pièces en mouvement, de l'habitacle des tarières/de la turbine ou de la goulotte. Les pièces en mouvement peuvent amputer mains et pieds.	
AVERTISSEMENT – OBJETS PROJÉTÉS Cette machine peut ramasser et projeter des objets, ce qui peut causer des blessures graves.	
AVERTISSEMENT – L'ESSENCE EST UN PRODUIT INFLAMMABLE. Laissez le moteur refroidir pendant au moins deux minutes avant de refaire le plein.	
AVERTISSEMENT – MONOXYDE DE CARBONE Ne faites jamais fonctionner un moteur à l'intérieur ou dans un bâtiment mal ventilé. Les gaz d'échappement contiennent du monoxyde de carbone, un gaz inodore et mortel.	

Symboles de sécurité



AVERTISSEMENT

Ce symbole attire votre attention sur des consignes de sécurité importantes qui, si elles ne sont pas respectées, peuvent mettre en danger non seulement votre personne et vos biens, mais aussi ceux d'autrui. Prière de lire toutes les instructions figurant dans cette notice d'utilisation avant d'essayer de vous servir de cette machine. Le non-respect de ces instructions peut entraîner des blessures corporelles.

RESPECTEZ

L'AVERTISSEMENT QUI ACCOMPAGNE CE SYMBOLE!

Votre responsabilité

Cette machine ne doit être utilisée que par des personnes qui peuvent lire, comprendre et respecter les avertissements et instructions qui figurent dans cette notice et sur la machine.

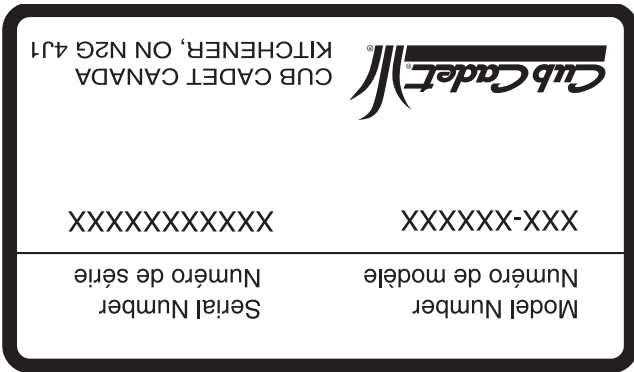
Cette notice d'utilisation est une pièce importante de votre nouvel équipement. Elle vous fournit les renseignements nécessaires à l'assemblage, à la préparation et à l'entretien de votre machine. Veuillez donc la lire attentivement et vous assurer de bien comprendre toutes les instructions.

Table des matières

3	3
4	4
6	6
10	10
14	14
16	16
20	20
21	21
22	22

AVANT DE PROCÉDER À L'ASSEMBLAGE DE VOTRE NOUVELLE SOUFFLEUSE, localiser la plaque signalétique sur l'équipement, et recopier le numéro de modèle et le numéro de série sur le modèle de plaque signalétique fourni sur la droite. Pour localiser la plaque signalétique, placez-vous derrière la souffleuse à la poste de conduite et regardez à l'arrière du châssis de la souffleuse.

Pour trouver le numéro de modèle



Service après-vente

Veuillez ne pas retourner la machine au détaillant qui vous l'a vendue, sans vous adresser d'abord au service après-vente.

Si l'assemblage de cette machine vous pose des problèmes ou pour toute question concernant les commandes, le fonctionnement ou l'entretien de la machine, les spécialistes sont à votre disposition. Choisissez l'une des options ci-dessous :

1. Visitez le site www.cubcadet.ca/cubcadet où vous trouverez de nombreuses suggestions utiles, et choisissez service après-vente.

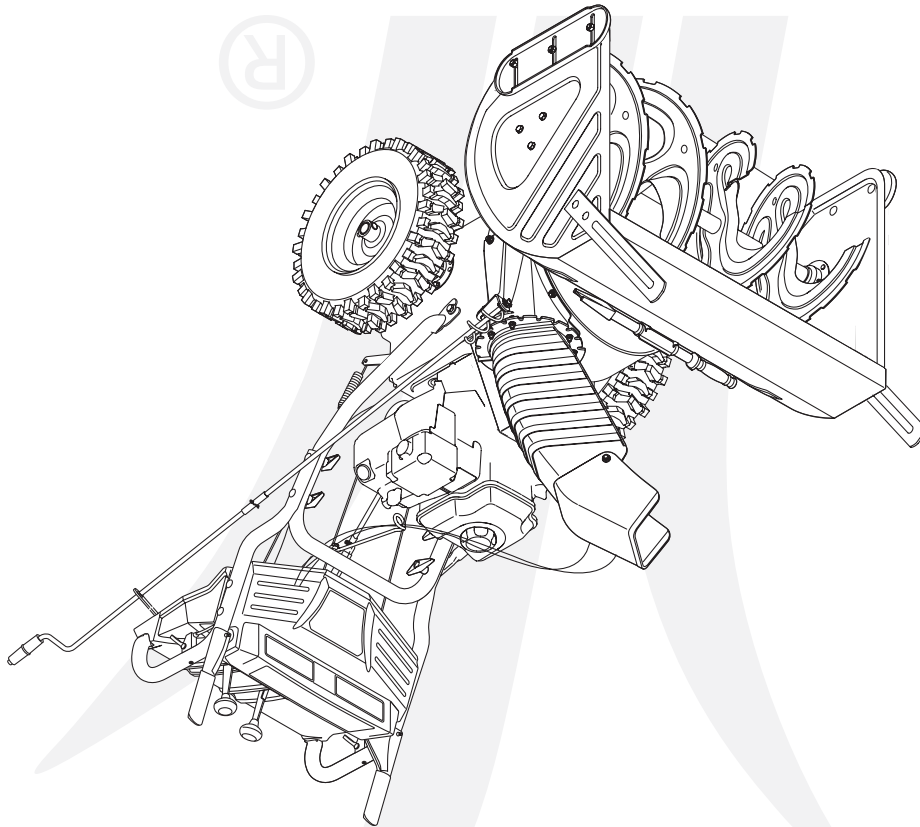
2. Appelez un agent du service après-vente au **1-800-668-1238**.

3. Le fabricant du moteur est responsable de tout aspect lié à celui-ci, y compris la performance, la puissance nominale, les caractéristiques, la garantie et le service. De plus amples renseignements se trouvent, en fonction du fabricant, soit dans cette notice d'utilisation soit dans celle qui est emballée séparément avec le produit.

Préparez vos numéros de modèle et de série avant de téléphoner. Veuillez lire le chapitre précédent pour déterminer l'emplacement de ces numéros. On vous demandera d'enregistrer le numéro de série avant de pouvoir poursuivre votre

IMPORTANT:
LISEZ ATTENTIVEMENT LES RÈGLES DE
SÉCURITÉ ET LES INSTRUCTIONS AVANT
DE METTRE EN MARCHÉ LA MACHINE.

Souffleuses à neige à deux phases de 28 po, 30 po, 33 po, et 45 po



NOTICE D'UTILISATION

Sécurité * Assemblage * Fonctionnement * Réglages * Entretien
Dépannage * Listes des pièces détachées * Garantie

Free Manuals Download Website

<http://myh66.com>

<http://usermanuals.us>

<http://www.somanuals.com>

<http://www.4manuals.cc>

<http://www.manual-lib.com>

<http://www.404manual.com>

<http://www.luxmanual.com>

<http://aubethermostatmanual.com>

Golf course search by state

<http://golfingnear.com>

Email search by domain

<http://emailbydomain.com>

Auto manuals search

<http://auto.somanuals.com>

TV manuals search

<http://tv.somanuals.com>