



80 LB Stainless Steel Rotary Spreader

Professional Turf Equipment

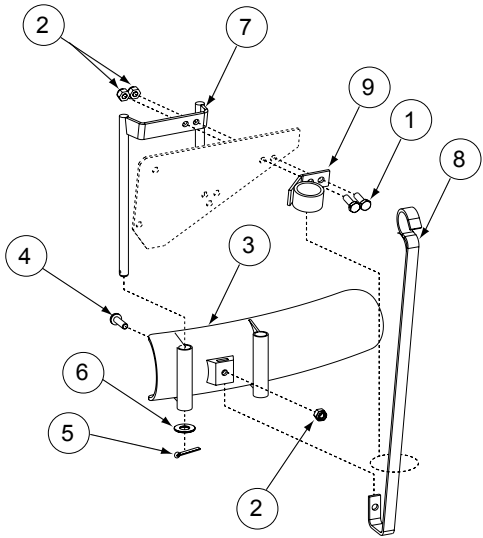


PARTS LIST AND INSTRUCTIONS

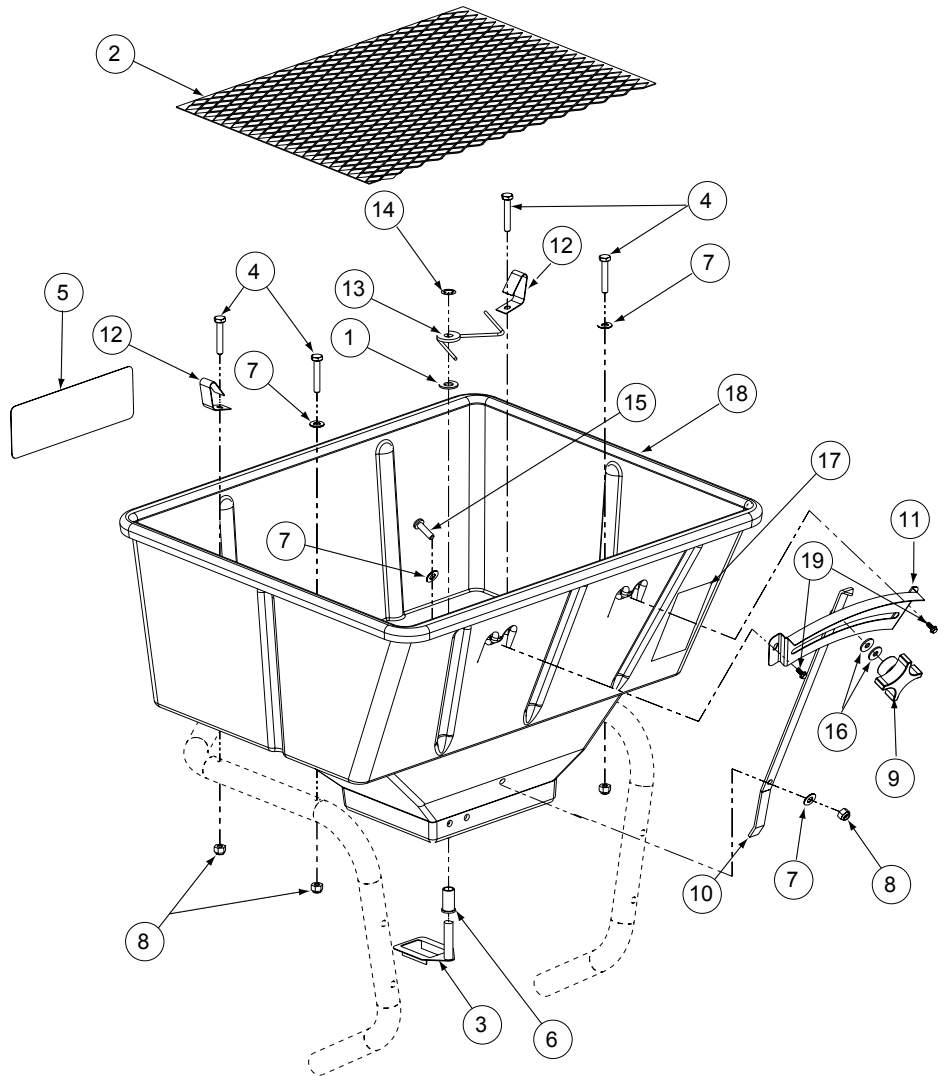
This product may be covered by one or more of the following patents:
4,511,090, Pending

80LB. Hopper Assembly - Figure 1 and Parts List

The Optional Jet-Action Deflector Part No. 02004523



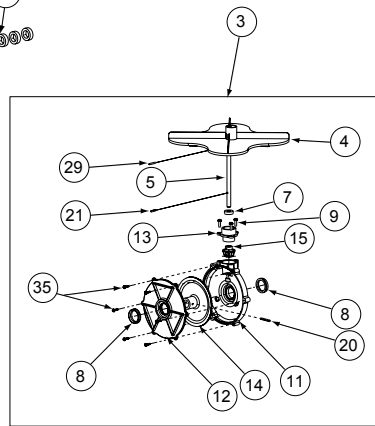
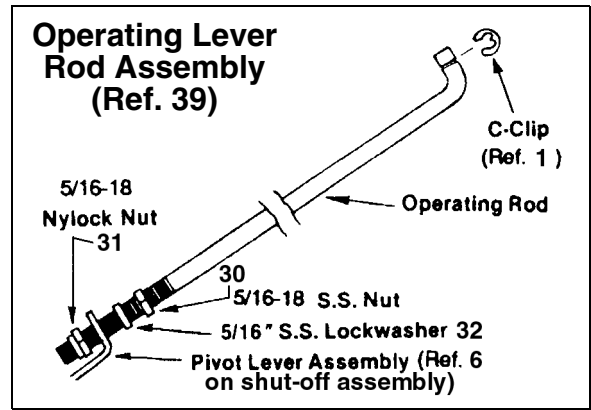
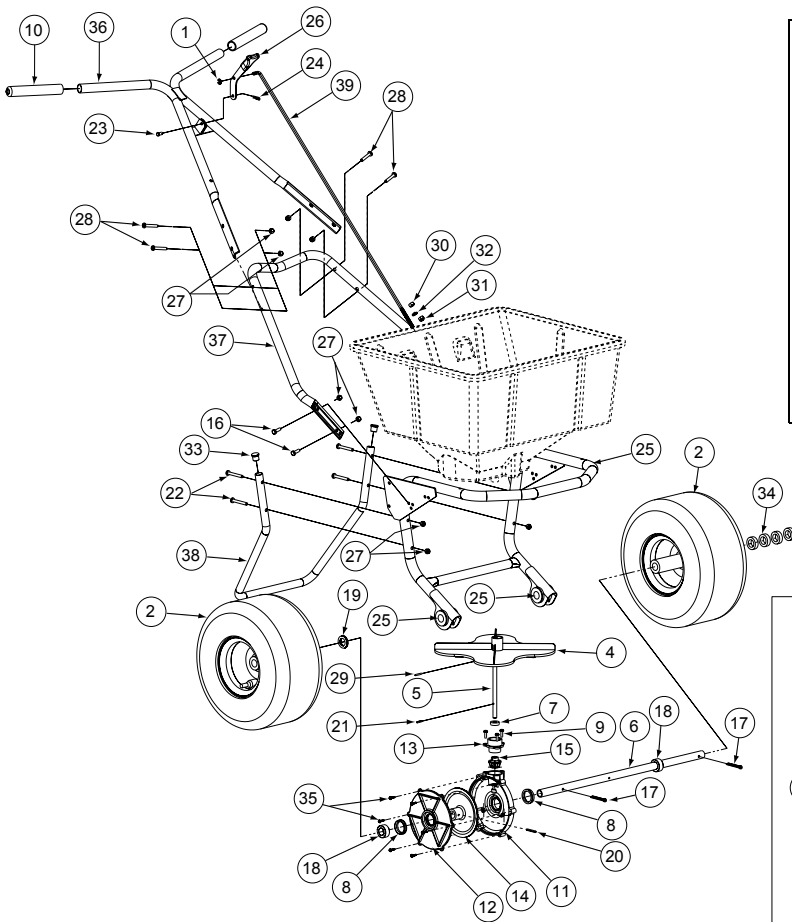
Ref. Part No.	Part No.	Description	Qty.
1	00031168	Screw, 1/4-20 x .75	2
2	00060036	Lock Nut, 1/4-20	3
3	00061066	Deflector	1
4	00060057	Screw, 1/4-20 x 7/8	1
5	00061052	Cotter Pin	1
6	00061053	Flat Washer	1
7	01006254	Mounting Tube	1
8	01006305	Handle	1
9	01006308	Ring Support	1



GD: 02004175-T00

Ref. No.	Part No.	Description	Qty.	Ref. No.	Part No.	Description	Qty.
1	00005530	Nylon Flat Washer, 3/8	1	11	01006772	Control Plate Rate	1
2	01010116	Screen, SS	1	12	00060046	Screen Clip	2
3	00030322	Agitator Assembly	1	13	00060049	Agitator Arm Assembly	1
4	00031167	Hex Cap Screw, 1/4-20, 1.50	4	14	00060050	3/8 Retainer Spring Clip	1
5	777D09015	CCC Decal, 2-3/8 x 7-1/8	1	15	00031168	Screw, 1/4-20 x .75	1
6	00060027	Agitator Shaft Bearing	1	16	00018628	Nylon Flat Washer, 1/4	2
7	00060033	Flat Washer, 1/4"	4	17	01002048	4" x 2" Vinyl Decal	1
8	00060036	Nylock Nut, 1/4-20	5	18	02004176	Hopper Yellow	1
9	00060043	Control Rate Knob	1	19	01005631	Index Washer Hex Screw, #8 x 3/8	2
10	00060044	Control Arm Rate	1	20	01001251	Hopper Cover (not shown)	1

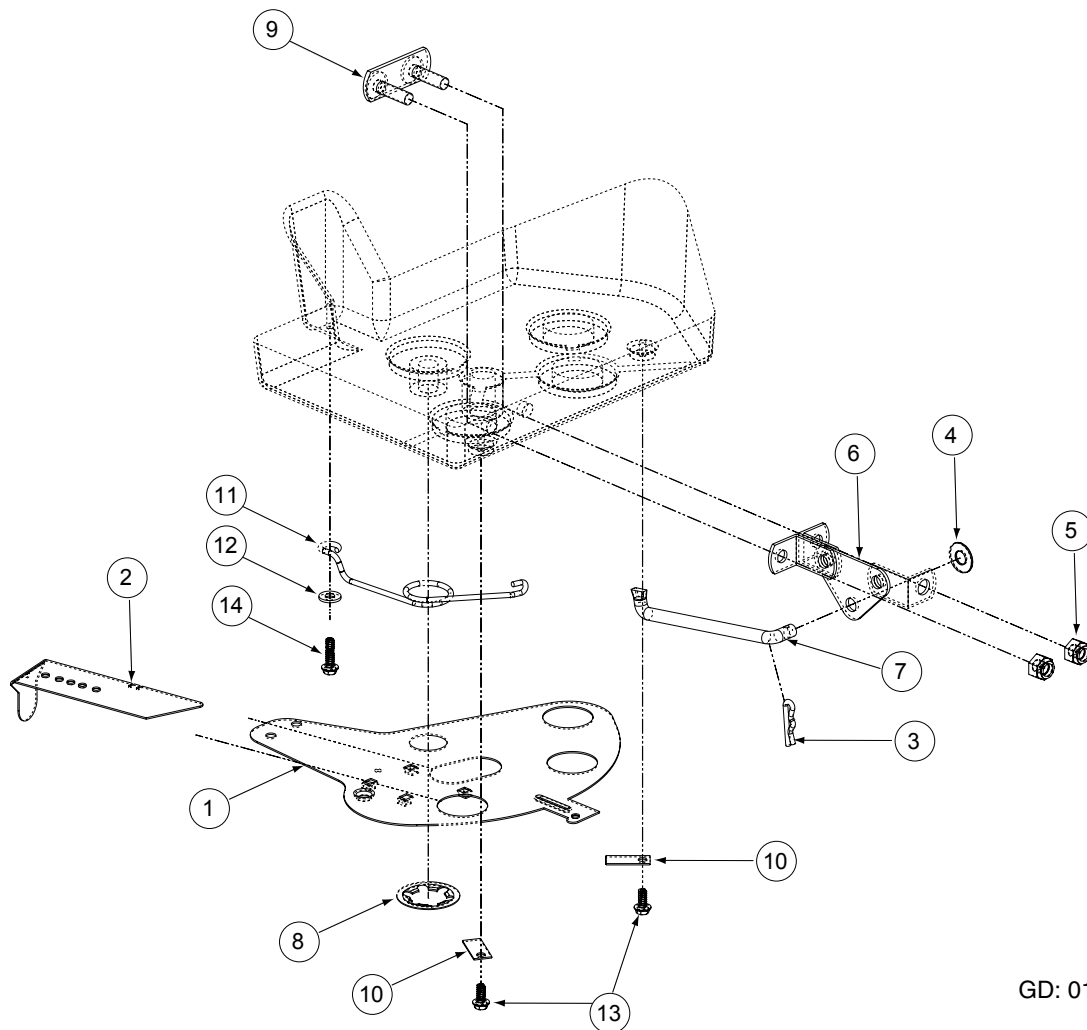
80LB Frame Assembly - Figure 2 and Parts List



GD: 01004977-P05

Ref. No.	Part No.	Description	Qty.	Ref. No.	Part No.	Description	Qty.
1	00010171	Retainer Clip "C"	1	24	00060032	Cotter Pin, 3/32 x 1	1
2	00018901	Drive Wheel	2	25	01006129	FRAME/BEARING ASSEMBLY, SS	1
3	02004758	KIT, IMPELLER and GEAR SET	1		01006128	FRAME/BEARING ASSEMBLY, EPOXY	1
4	00030317	Impeller	1		00060078	GREASE FITTING, 1/4-28 X 3/16	2
5	00030382	Impeller Shaft	1		00018963	PLASTIC AXLE BEARING	4
6	00030383	Axle	1	26	00060034	Operating Lever, Rubber Handle Assembly	1
7	00030384	Gearset Oil Seal	1	27	00060036	Lock Nut Nylon Insert, 1/4-20	12
8	00030385	Gearset Seal	2	28	00031167	Hex Cap Screw, 14-20 x 1.5	4
9	00030415	Tap Screw	3	29	00060069	Roller Pin, 1/8 x 7/8	1
10	00030446	Handle Grip	2	30	00060071	Hex Lock Nut, 5/16	1
11	00030591	Gearset Housing	1	31	00060072	Nut, Nylon Insert, 5/16-18	1
12	00030592	Gearset Cover	1	32	00060073	Lock Washer, 5/16	1
13	00030593	Gearset Cap	1	33	00060080	Plastic Plug, Epoxy	2
14	00030594	Gearset Bevel Gear	1		00020913	Plastic Plug, SS	2
15	00030595	Gearbox Pinion Gear	1	34	00060017	Flat Washer, 1.25 x .776 x .062 SS	4
16	00031168	Hex Cap Screw, 1/4-20 x .75	4	35	01000129	Washer Hex Screw	6
17	00060012	Cotter Pin, 3/16 x 1-3/4	2	36	01004875	Handle Assembly, SS	1
18	00060014	Collar Axle w/set screw Assembly	2		01005637	Handle Assembly, Epoxy	1
19	00060017	Flat Washer, .06, .776, 1.25	6	37	01004876	Lower Handle, SS	1
20	00060019	Roller Pin, 5/32 x 1-1	1		01005640	Lower Handle, Epoxy	1
21	00060022	Roller Pin, 1/8 x 5/8	1	38	01004878	Support Leg, SS	1
22	01005552	Hex Cap Screw, 1/4-20 x 2	4		01005643	Support Leg, Epoxy	1
23	00060031	Clevis Pin, 1/4 x 1/2	1	39	01006035	Operating Rod Lever	1

Shut-Off Assembly - Figure 3 and Parts List



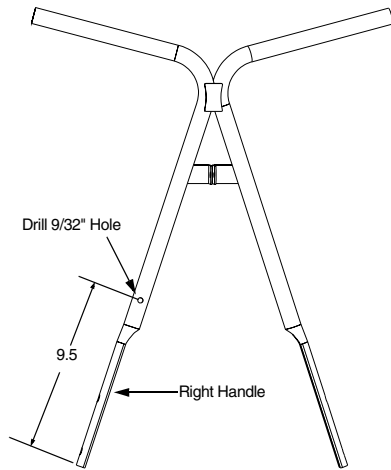
GD: 01005667-P02

Ref. No.	Part No.	Description	Qty.	Ref. No.	Part No.	Description	Qty.
1	01006825	Shut-off Plate	1	8	01004186	Spring Clip	1
2	00020492	Slide Lever	1	9	01004539	Two Hole Weldment Plate	1
3	01009945	Cotter Pin, 3/32 x 1/2 Lg	1	10	01004955	Plate Shut-off Clip	2
4	00060033	Flat Washer, 1/4"	1	11	01004956	Plate Shut-off Spring	1
5	00060036	Nylock Nut, 1/4-20	2	12	01005630	Flat Washer	1
6	00060060	Pivot Lever Assembly	1	13	01005631	Index Washer Hex Screw, 8 x 3/8	2
7	00060061	Pivot Lever Rod	1	14	01005632	Index Washer Hex Screw, 8 x 5/8	1

The Optional Remote Deflector - Part No. 02004519

Mounting Instructions

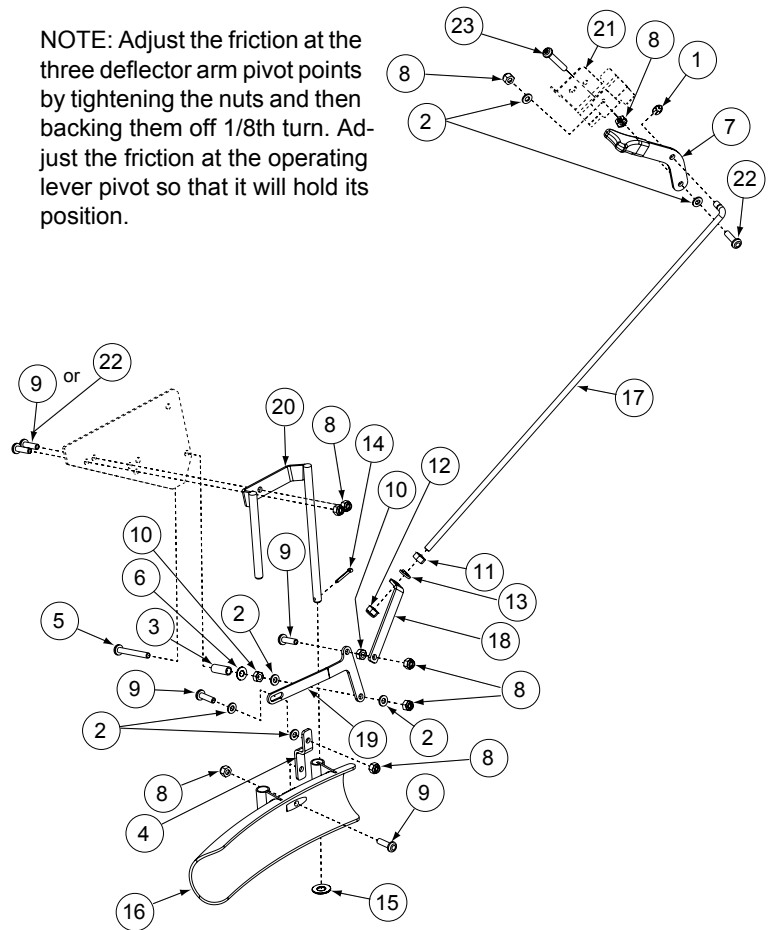
1. Install the deflector tube mount (ref. 20) onto the right side of the spreader frame (from the inside) as shown.
2. Install the tube bracket mount (ref. 19) to the right side of the frame using appropriate hardware as shown.
 - a. Install 1/4-20 x 2 (ref. 5) through frame plate using spacer (ref. 3), washer (ref. 6), and tighten using 1/4-20 nut (ref. 10).
 - b. Install nylon washer (ref. 2), bracket mount (ref. 19) nylon washer (ref. 2) and tighten nut (ref. 8) until bracket mount (ref. 19) easily turns.
3. Install offset bracket (ref. 4) onto deflector (ref. 16)
 - a. Slide Long end of offset bracket into slot on deflector (ref. 16)
 - b. Install 1/4-20 screw (ref. 9) and tighten sub assembly using 1/4-20 nut (ref. 8)



4. Slide deflector subassembly onto deflector tube mount (ref. 20)
 - a. Install washer (ref. 15) onto deflector tube mount and lock in place using cotter pin (ref. 14)
5. Fasten offset bracket (ref. 4) to bracket mount (ref. 19) using appropriate hardware.
 - a. Install 1/4-20 screw (ref. 9) and tighten sub assembly using 1/4-20 nut (ref. 8) until deflector (ref. 16) moves easily on deflector tube mount (ref. 20)
6. Install lever rod bracket (ref. 18) to bracket mount (ref. 19).
 - a. Install, making sure small flange of lever rod bracket faces to the inside of the spreader, using appropriate hardware.
7. Install remote bracket (ref. 21) onto right side of upper handle.
 - a. Install using one 1/4-20 (ref. 23) and one 1/4-20 nut (ref. 8)
8. Install operating lever (ref. 7) using appropriate hardware
9. Install rod (ref. 17) into operating lever (ref. 7) and into lever rod bracket (ref. 18)
10. Slide deflector up toward the bottom of the hopper as far as it will go.
11. Place the operating lever (ref. 7) in the "OFF" position and adjust the lock nut (ref. 11) so it is down against the lever rod bracket (ref. 18).
 - a. Tighten nylock nut (ref. 12) up against the underside of the lever rod bracket (ref. 18)

Ref. No.	Part No.	Description	Qty.
1	00010171	Retainer "C" Clip	1
2	00018628	Nylon Washer, 1/4	6
3	00030503	Deflector Arm Mount Spacer	1
4	00035030	Offset Bracket Deflector	1
5	00060029	Machine Screw, 1/4-20x2	1
6	00060033	Flat Washer, 1/4"	1
7	00060034	Operating Lever and Rubber	1
8	00060036	Lock Nut, Nylon Insert, 1/4	8
9	00060057	Machine Screw Pan Head, 1/4-20x7/8	5
10	00060059	Hex Nut, 1/4-20	2
11	00060071	Hex Lock Nut, 5/16-18	1
12	00060072	Nut, Nylon Insert, 5/16-18	1
13	00060073	Lock Washer, 5/16	1
14	00061052	Cotter Pin, 1/8 x 1	1
15	00061053	Flat Washer, 3/8	1
16	00061066	Deflector Tube, Plastic Only	1
17	01006251	Deflector Actuator Rod	1
18	01006252	Lever Rod Deflector Bracket	1
19	01006253	Tube Bracket Mount, Lever, Deflector	1
20	01006254	Deflector Tube Mount	1
21	00030418	Remote Bracket	1
22	00031168	HHCS, 1/4-20 x .75, SS	3
23	00060047	Machine Screw, 1/4-20 x 1.50, SS	1

NOTE: Adjust the friction at the three deflector arm pivot points by tightening the nuts and then backing them off 1/8th turn. Adjust the friction at the operating lever pivot so that it will hold its position.



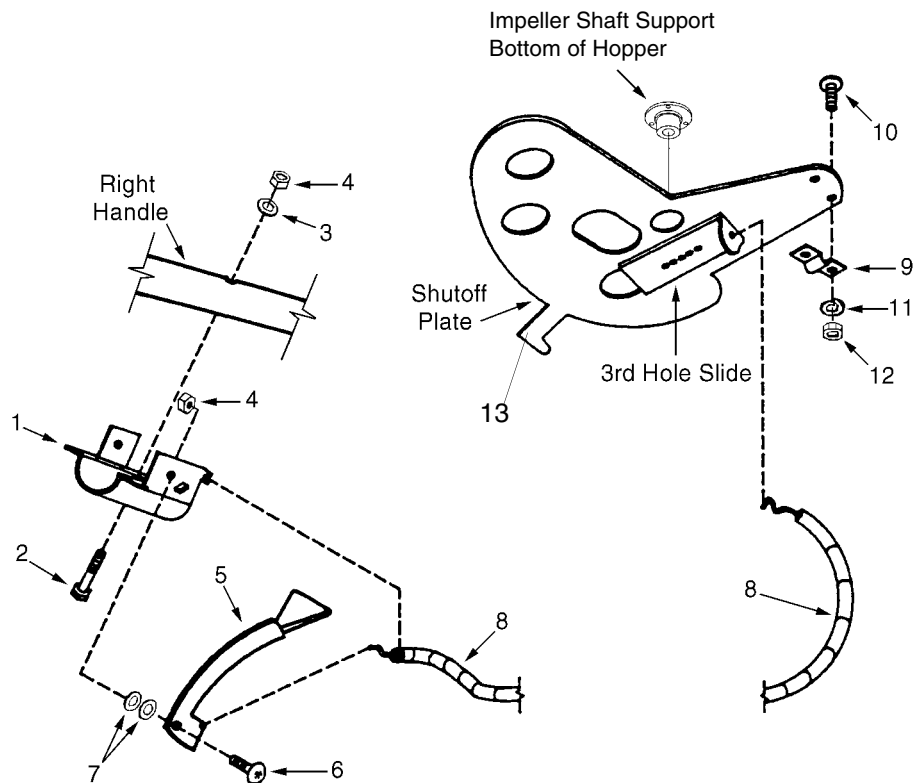
The Optional Remote 3rd Hole Slide - Part No. 02004521

Mounting Instructions

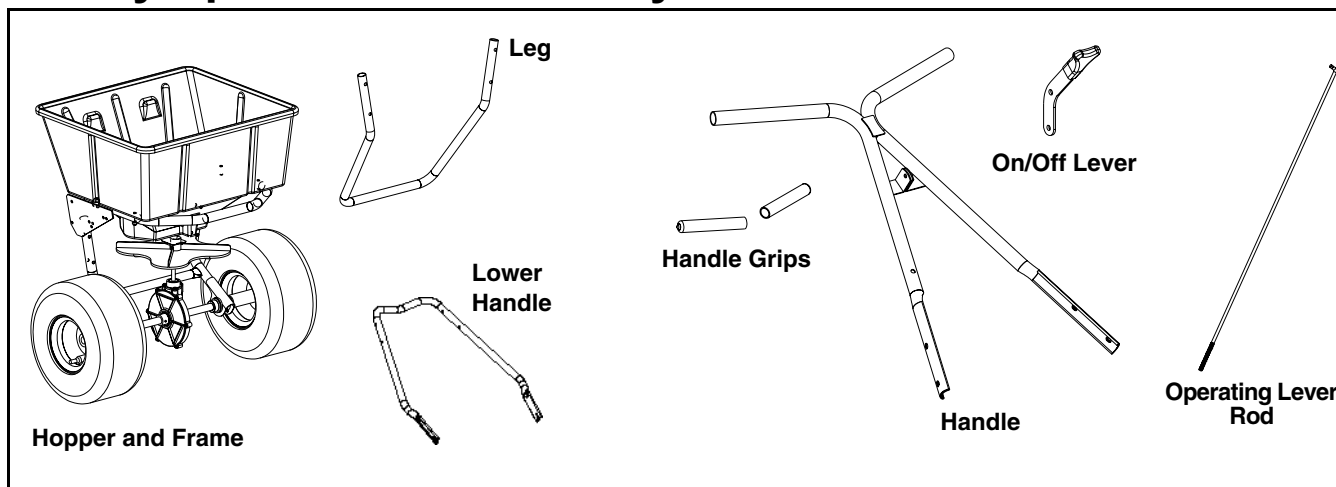
1. Mount the dual lever bracket (Ref. 1) to the right handle using one machine screw (Ref. 2), one flat washer (Ref. 3) and one hex nut (Ref. 4) as shown below.
2. Mount the dual remote lever (Ref. 5) to the dual lever bracket (Ref. 1) using one machine screw (Ref. 6), two nylon flat washers (Ref. 7) and one hex nut (Ref. 4) as shown below.
3. Slide the control cable (Ref. 8) through the hole in the dual remote lever and the cable housing into the fork of the dual lever bracket and pinch the forks around the cable groove.
4. With the dual remote lever pushed all the way forward attach the other end of the control cable to the hole in the 3rd hole slide. Push the slide fully closed and mount the cable housing to the shut off plate using the cable clamp (Ref. 9), two machine screws (Ref. 10), two lock washers (Ref. 11) and two hex nuts (Ref. 12) as shown below.
5. Work the dual remote lever back and forth to be sure that you are getting the full open and full closed positions of the 3rd hole slide. If not, loosen the cable clamp and adjust the cable.

Parts List

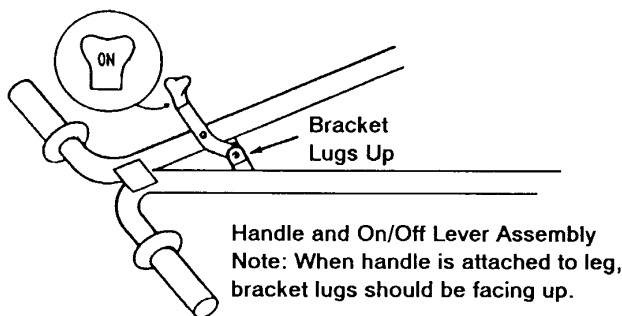
Ref. No.	Part No.	Description	Qty.
1	00030418	Bracket, Dual Lever	1
2	00060047	Machine Screw	1
3	00060033	Flat Washer 1/4	1
4	00060036	Hex Nut, 1/4-20 Nylock	2
5	00030416	Lever, Dual Remote	1
6	00060057	Machine Screw	1
7	00018628	Flat Washer, 1/4 Nylon	2
8	00030450	Control Cable	1
9	00020511	Cable Clamp	1
10	00031686	Machine Screw	2
11	00060083	Lock Washer #8	2
12	00060056	Hex Nut, #8-32	2
13	00060054	Shut off Plate Assembly	1
	00020491	Remote Shut off Plate	1
	00020492	Slide Lever	1



Rotary Spreaders - Assembly Instructions



- Remove the spreader components from the carton. You should find all of the parts shown above plus the Hardware Package. The Hardware Package contains:
 - C-Clip
 - Calibration Gauge (ODD)
 - Calibration Gauge (EVEN)
 - Calibration Gauge Chain
 - Clevis Pin, 1/4 x 1/2
 - Cotter Pin, 3/32 x 1
 - Hex Nut, 5/16-18
 - Hex Nut, 5/16-18, Nylock
 - Lock Washer, 5/16
 - Hex Head Machine Screw, 1/4-20 x 2"
 - Machine Screw, 1/4-20 x 1-1/2"
 - Hex Screw, 1/4-20 x 3/4"
 - Nylock Nut, 1/4-20
- Install the leg to the hopper and frame assembly by fastening with 4 hex head machine screws, 1/4-20 x 2 and 4 locknuts, 1/4-20.
- Attach the lower handle to the frame (with the "V" section of the closed section of the handle facing down) using 4 hex head screws, 1/4-20 x 3/4, and 4 nylock nuts, 1/4-20.
- Attach the upper handle to the lower handle (with the on/off bracket lugs facing up) using 4 machine screws, 1/4-20 x 1 1/2 and 4 nylock nuts, 1/4-20.
- Fasten the on/off lever to the handle's bracket lugs using the clevis pin in the bottom hole of the lever. Insert the clevis pin from left to right, facing the rear of the hopper. Lock with the 3/32 x 1/2 cotter pin.
- Attach the operating lever rod to the pivot lever assembly at the bottom-rear of the hopper. First screw the 5/16 hex nut on the threaded end of the operating lever rod, add the 5/16 lock washer, then insert the rod through the hole in the pivot lever assembly and install the 5/16 locknut.
- Attach the operating lever rod to the on/off lever by inserting the bent end of the rod into the top hole of the lever from left to right and install the C-clip.
- Pull the on/off lever to the off position and move the shutoff plate assembly to the fully closed position by adjusting the 5/16 hex nuts on the bottom of the operating lever rod.
- Place the handle grips on the handles.
- Grease the axle bearings and the gear support.
- Read the Spreader Calibration instructions packed with your spreader and calibrate following the instructions.



- Attach the upper handle to the lower handle (with the on/off bracket lugs facing up) using 4 machine

Spreader Calibration

Two items must be considered when calibrating a spreader. The first is the distribution pattern of the spreader. That is, the pattern the product makes as it strikes the ground after being thrown out by the spreader's impeller. There are many factors which affect the distribution pattern of a rotary spreader and some of them relate directly to the product. For this reason, we recommend that the spreader be calibrated separately for every product to be applied. Spreader calibration should be checked at least once a month, or more often when the spreader is used frequently.

The second item is the product application rate, that is the amount of product applied per thousand square feet. This is important because over-application can be costly and may cause plant injury, while under-application will reduce the effectiveness of the product.

TO CALIBRATE A SPREADER, FOLLOW THESE STEPS:

Check the spreader discharge holes with the operating lever in the closed position. If the discharge holes are not fully closed, thread the upper jam nut on the operating lever rod further up the rod. Tighten the lower locknut and recheck. Repeat this procedure until the holes are fully closed.

TO ACHIEVE A UNIFORM DISTRIBUTION PATTERN:

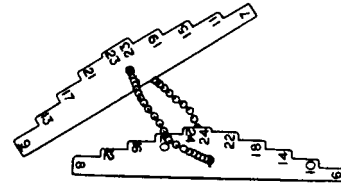
The accurate method for checking pattern uniformity is to lay out shallow boxes or pans in a row on a line perpendicular to the direction of spreader travel. Eleven boxes or pans, two inches high placed on one-foot centers will provide accurate calibration. To conduct the test, begin with the pattern slide completely open and set the rate control arm at the suggested approximate setting. Make three passes over the boxes, pushing the spreader in the same direction each time. The product caught in each box is then evaluated to determine the distribution pattern. Weighing the product in each box is the most accurate, but a simpler method is to pour the contents of each box into a separate small vial or bottle. Then set the eleven vials or bottles side-by-side in order. This makes the pattern variation quite visible.

To reduce the amount of discharge to the right side (operator's right) the pattern slide should be partially closed and the test repeated until the distribution pattern is uniform.

TO ACHIEVE THE CORRECT PRODUCT APPLICATION RATE:

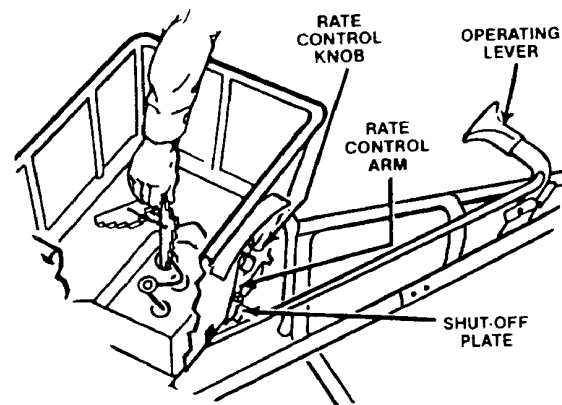
The approximate spreader settings printed on any product label should only be used as the initial setting for calibration. Set the rate control arm at this approximate setting. Using the collection boxes or pans, make a single pass over them to determine the effective pattern width. The effective pattern width is twice (2x) the distance to the point where the rate drops to one-half the average rate at the center. Example: If the product in the vials from the center boxes averages two inches in depth, count out to the vial which has one inch of product. If this is the fifth vial from the center and the boxes were on one-foot centers, the effective pattern width is ten feet (2 x 5 ft.).

Knowing the effective pattern width (ten feet), measure out a lineal distance to equal 1,000 sq. ft. (10 ft. x 100 ft. = 1,000 sq. ft.). Weigh 20 lbs. of product and place it in the spreader hopper and spread it over the distance necessary to equal 1,000 sq. ft. (100 ft.). Then weigh the product left in the hopper and subtract this amount from the amount with which you started. The result is the application rate for this product in pounds per 1,000 sq. ft. that your spreader is currently adjusted to disperse. Adjust the rate control arm up or down as needed and repeat this procedure until the correct application rate is achieved.



TO USE THE CALIBRATION GAUGES:

The Calibration Gauges provide a series of "steps", numbered in 1/32-inch increments, that will allow you to "fine-tune" the spreader. Once you have calibrated your rotary spreader for the product chosen, open the operating lever and insert the calibration gauges until you determine which step fits tightly into one of the open holes in the hopper bottom. Record that step number for future reference when using that product. You may choose to set other rotary spreaders for application of the same product by adjusting the shut off plate to that calibration gauge step. This will provide consistent settings for all of your spreaders. To recalibrate your rotary spreader after a period of use, adjust the rate control arm to the "24" position. Open the operating lever and insert the even-numbered Calibration Gauge into one of the open holes in the hopper bottom. Close the operating lever and let the shut off plate on the underside of the hopper make contact with the number 10 step on the Calibration Gauge. Move the rate control arm back toward the "6" position until the bottom of the arm makes contact with the shut off plate. If your spreader is properly adjusted, the top of the rate control arm should be at setting "10". To correct variances, remove the rate control arm, place the bottom of the arm (up to the bolt hole) in a vise, and bend either to the right or the left.



SPREADER TIPS:

1. Always push the spreader; do not pull.
2. Push the spreader at a consistent speed (approximately 3 m.p.h. is recommended).
3. Always close the operating lever before filling the hopper.
4. Be sure the screen is in place to prevent lumps or paper scraps from plugging the holes in the hopper bottom.
5. Always start walking forward before opening the operating lever; close the operating lever before forward motion is stopped.
6. Hold the handle at a height that will keep the impeller level.
7. Empty the spreader after each use. Wash the spreader thoroughly and allow it to dry. Keep the impeller clean.
8. Lubricate all moving parts. Apply grease to the five grease fittings; two in the axle supports, two in the gear support and one in the idler wheel (if the idler wheel has a steel hub).

General Requirements-Personal Protective Equipment:

OSHA Standard 1910.132 through 1910.139

OSHA standard 1910.132 states in relevant part:

- a. Protective equipment, including personal protective equipment (PPE) for eyes, face, head, and extremities, protective clothing, respiratory devices, and protective shields and barriers, shall be provided, used, and maintained in a sanitary and reliable condition wherever it is necessary by reason of hazards of processes or environment, chemical hazards, radiological hazards, or mechanical irritants encountered in a manner capable of causing injury or impairment in the function of any part of the body through absorption, inhalation or physical contact.

This standard is subject to change. Please check www.osha.gov for the latest regulatory updates

General

Sometimes, it is not possible to reduce a hazard by eliminating it, substituting a less hazardous process or product, making changes to equipment, or even by changing how you do the job. That's when you need personal protection.

PPE includes items like gloves, goggles, boots, hearing protection and respirators. Respirators filter out particles or block gases and vapors that can harm the respiratory system. With a surface area well supplied with blood vessels and equal in size to a tennis court, the lungs are the quickest and most direct route for absorbing harmful substance into your body.

Note: PPE does not prevent accidents, but it does prevent or reduce injury and even fatalities when used properly.

Equipment (PPE)

Protective equipment must be selected carefully. Always test fit the protective equipment to be sure it fits properly and comfortably. If it isn't comfortable -- it won't be worn; if it isn't worn -- it won't protect. PPE includes:

- respirators
- chemical-resistant clothing
- hearing protectors
- gloves
- safety goggles and glasses
- hard hats
- sensors to detect hazardous substance
- communication devices used for safe deployment of workers

Inhaling pesticide fumes and mists is a very common entry route of pesticides into the body. Absorption through the lungs is great and the sensitivity is high.

The National Institute for Occupational Safety and Health (NIOSH), under authority of the Federal Mine Safety and Health

Act of 1977 and the Occupational Safety and Health Act of 1970, tests, approves, and certifies respiratory equipment as being safe for its intended purpose.

Note: Always be certain that the NIOSH compliance number is on the product before purchasing respiratory equipment.

Two systems of respiratory protection are available, depending on the type of respiratory risk involved: air-purification (filtering) and air-supplying. For most pesticide work, the air-purifying equipment is adequate and safe.

Protective equipment is usually required by the pesticide label in one form or another and is integral to safe pesticide application. Chemical-protective clothing consists of multilayered garments made out of various materials that protect against a variety of hazards. Because no single material can protect against all chemicals, multiple layers of various materials usually are used to increase the degree of protection. Protection is maximized by total encapsulation (completely covering the wearer). An assortment of types of chemical-protective hats, hoods, gloves, and boot covers are used with the garments.

There are many brands and models of protective equipment available for use in pesticide application. Price is not always an indicator of quality, so shop carefully.

Note: Select equipment that is **NIOSH tested and approved**.

Protective equipment, appropriate for the task and hazards that an employee could be exposed, shall be provided by the employer. Since comfort and proper fit must be considered, the person who is going to use it must select the proper size to ensure correct fit and function. Unused protective equipment does not help anyone.

Note: Many supply centers, hardware stores, chemical retailers, and equipment/machinery dealers keep protective equipment in stock.

Training

Written procedures shall be developed for PPE use. These procedures shall include all information and guidance necessary for their proper selection, use and care. The employer shall provide fitting instructions including demonstrations and practice in how the PPE should be worn. It is essential that both supervisors and workers be properly instructed in PPE selection, use, and maintenance. Training shall provide the workers an opportunity to handle PPE, and have it fitted properly.

When to replace PPE

All PPE shall be inspected routinely before and after each use. A program for maintenance and care of PPE shall be initiated and be adjusted to the type of work place, working conditions, and hazards. It shall include the following:

- inspection for defects and damage
- cleaning and disinfecting
- repair
- storage

Many factors influence how long PPE (especially respirators) remains effective. As well as hours of use, an air-purifying respirator's service life is affected by the concentration of dust and other contaminants in the environment; the user's body size; how strenuously the user works while the respirator is worn; and how the respirator is stored.

Note: As a result, it's not possible to specify a length of time after which a respirator should be replaced.

In general, replace a mask or filter when it is visibly dirty or damaged, or when you experience difficulty breathing through it. Replace respirator cartridges when you can smell or taste chemical while or after using the respirator, or according to the manufacturer's recommendations. Replacement or repairs shall be done only by experienced person with parts designed for the PPE. No attempts shall be made to replace components or to make adjustments or repairs beyond the manufacturer's recommendations.

MANUFACTURER'S LIMITED WARRANTY FOR CUB CADET COMMERCIAL LAWN APPLICATION EQUIPMENT



IMPORTANT: To obtain warranty coverage owner may be required present proof of purchase and applicable maintenance records to the servicing dealer. Please see the operator's manual for information on required maintenance and service intervals. In addition, Cub Cadet may deny warranty coverage if the hour meter, or any part thereof, is altered, modified, disconnected or otherwise tampered with.

The limited warranty set forth below is given by Cub Cadet LLC with respect to new merchandise used for commercial and related purposes purchased and used in the United States and/or its territories and possessions, and by MTD Products Limited with respect to new merchandise purchased and used in Canada and/or its territories and possessions (either entity respectively, "Cub Cadet").

Cub Cadet warrants this product (excluding its *No-Fault Components*, as described below) against defects in material and workmanship for a period of one (1) year from the date of original retail purchase or lease and will, at its option, repair or replace, free of charge, any part found to be defective in materials or workmanship.

No-Fault Components include only belts, tires, and seats which are warranted to be free from defects in material and workmanship for a period of thirty (30) days from the date of original purchase or lease.

HOW TO OBTAIN SERVICE: Warranty service is available, WITH PROOF OF PURCHASE AND APPLICABLE MAINTAINANCE RECORDS, through your local authorized service dealer. To locate the dealer in your area;

In the U.S.A.:

Check your Yellow Pages, or contact Cub Cadet LLC at P.O. Box 361131, Cleveland, Ohio 44136-0019, or call 1-877-282- 8684, or log on to our Web site at www.cubcadetcommercial.com.

In Canada:

For all provinces excluding Quebec contact Modern Power Products d/o MTD Canada Ltd. At 60 Ottawa Street South, Kitchener, Ontario N2G 3S7 or call 1-800-567-6775 or log on to our website at www.cubcadet.ca.

In Quebec contact Les Distributions RVI Ltee. d/o MTD Canada Ltd. 2955 Jean-Baptiste Deschamps, Ville Lachine, Quebec H8T 1C5 or call 1-800-361-5770 or log on to our website at www.cubcadet.info.

This limited warranty does not provide coverage in the following cases:

- a. Routine maintenance items such as lubricants, filters, tune-ups, brake adjustments, clutch adjustments, control linkages, drive system, engines, and normal deterioration of the exterior finish due to use or exposure.
- b. Service completed by someone other than an authorized service dealer.
- c. For products sold or exported outside of the United States and/or Canada, and their respective possessions and territories, except those sold through Cub Cadet's authorized channels of export distribution.
- d. Damage or failure resulting from the use of defective or improper replacement parts and/or accessories other than genuine Cub Cadet parts.
- e. Transportation charges and service calls.
- f. Failure to operate and maintain the product in accordance with the Operator's Manual furnished with the product,
- g. Damages and failures resulting from misuse, abuse, neglect, accident, improper maintenance, alteration, vandalism, theft, fire, water, or damage because of other peril or natural disaster.

There are no implied warranties, including without limitation any implied warranty of merchantability or fitness for a particular purpose. No warranties shall apply after the applicable period of express written warranty above. No other express warranties beyond those mentioned above, given by any person or entity, including a dealer or retailer, with respect to any product, shall bind Cub Cadet. The exclusive remedy is repair or replacement of the product as set forth above. The terms of this warranty provide the sole and exclusive remedy arising from the sale and/or lease of the products covered hereby. Cub Cadet shall not be liable for any incidental or consequential loss or damage including, without limitation, expenses incurred for substitute or replacement lawn care services or for rental expenses to temporarily replace a warranted product.

Some jurisdictions do not allow the exclusion or limitation of incidental or consequential damages, or limitations on how long an implied warranty lasts, so the above exclusions or limitations may not apply to you. This limited warranty gives you specific legal rights, and you may also have other rights that vary in different jurisdictions.

In no event shall recovery of any kind be greater than the amount of the purchase price of the product sold. **Alteration of safety features of the product shall void this warranty.** You assume the risk and liability for loss, damage, or injury to you and your property and/or to others and their property arising out of improper use, misuse or inability to use the product. This limited warranty shall not extend to anyone other than the original purchaser/Leasee or to the person for whom it was purchased or leased as a gift.

Cub Cadet LLC - P.O. Box 361131, Cleveland, Ohio 44136-0019; Phone 1-877-282-8684

Free Manuals Download Website

<http://myh66.com>

<http://usermanuals.us>

<http://www.somanuals.com>

<http://www.4manuals.cc>

<http://www.manual-lib.com>

<http://www.404manual.com>

<http://www.luxmanual.com>

<http://aubethermostatmanual.com>

Golf course search by state

<http://golfingnear.com>

Email search by domain

<http://emailbydomain.com>

Auto manuals search

<http://auto.somanuals.com>

TV manuals search

<http://tv.somanuals.com>