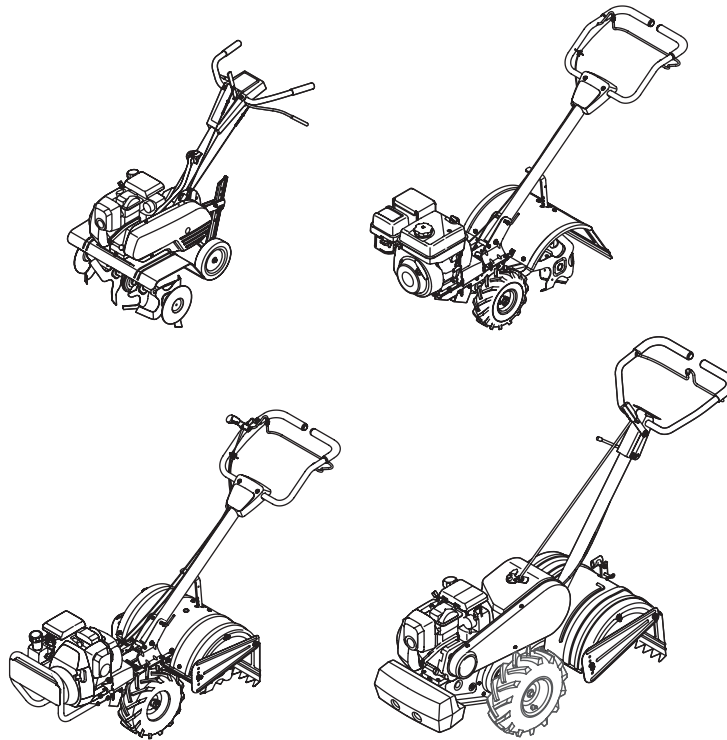

Cub Cadet.

ILLUSTRATED PARTS MANUAL



Front Tine & Rear Tine Tillers Model FT24, RT 35, RT 45 & RT 65

CUB CADET LLC, P.O. BOX 361131 CLEVELAND, OHIO 44136-0019

Printed In USA

Form No. 769-08415
(September 17, 2012)

To The Owner

Thank You

Thank you for purchasing a Cub Cadet Tiller. It was carefully engineered to provide excellent performance when properly operated and maintained.

All information in this manual is relative to the most recent product information available at the time of printing. Please be aware that this Illustrated Part's Manual may cover a range of product specifications for various models.

Components listed and/or illustrated in this manual may not be applicable to all models. We reserve the right to change product specifications, designs and equipment without notice and without incurring obligation.

Throughout this manual, all references to *right* (RH) and *left* (LH) are observed from the operating position.

Table of Contents

<i>Engine Honda GC190LA</i>	28	<i>Model Series 300</i>	4
<i>Engine Model-170-TU</i>	52	<i>Model Series 400</i>	10
<i>Engine Model-170-VU</i>	62	<i>Model Series 450</i>	16
<i>Engine Model-270-V0</i>	42	<i>Model Series 620</i>	22

Record Product Information

To ease in ordering replacement parts, please locate the model plate on the equipment and record the information in the provided area to the right. You can locate the model plate by looking beneath the seat.

MODEL NUMBER

--	--	--	--	--	--	--	--	--	--	--	--

SERIAL NUMBER

--	--	--	--	--	--	--	--	--	--	--	--

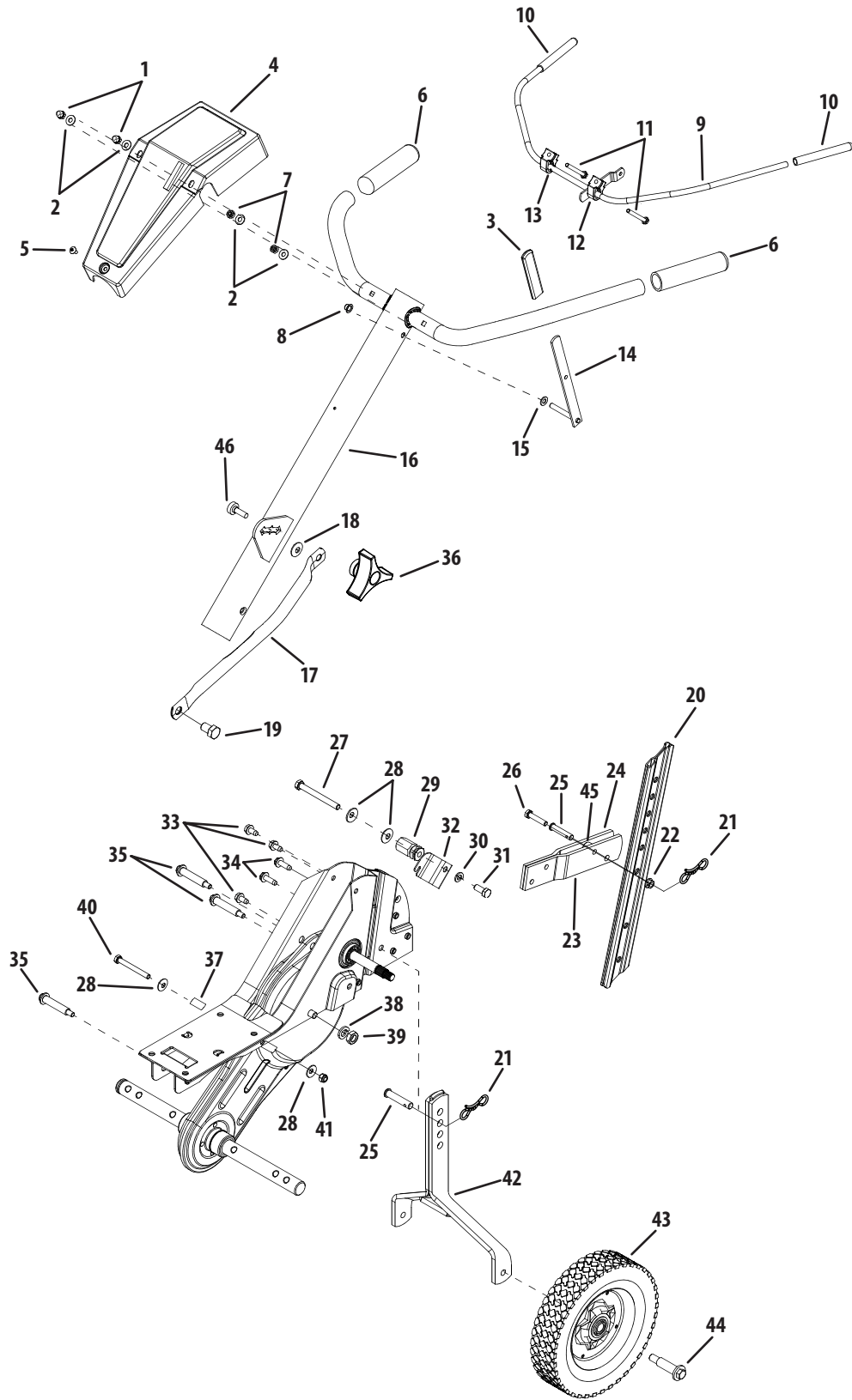
Painted Parts

When ordering painted service parts, a four digit color suffix must be added to the part number (e.g. 783-XXXX-0637). Please refer to the table below for current color codes:

0637	Black	0685	Blue (Cub Cadet)
4021	Yellow (Cub Cadet)	0691	Black Jack (Cub Cadet Commercial)
0499	Beige (Cub Cadet)		

Page Left Blank Intentionally

Model Series 300

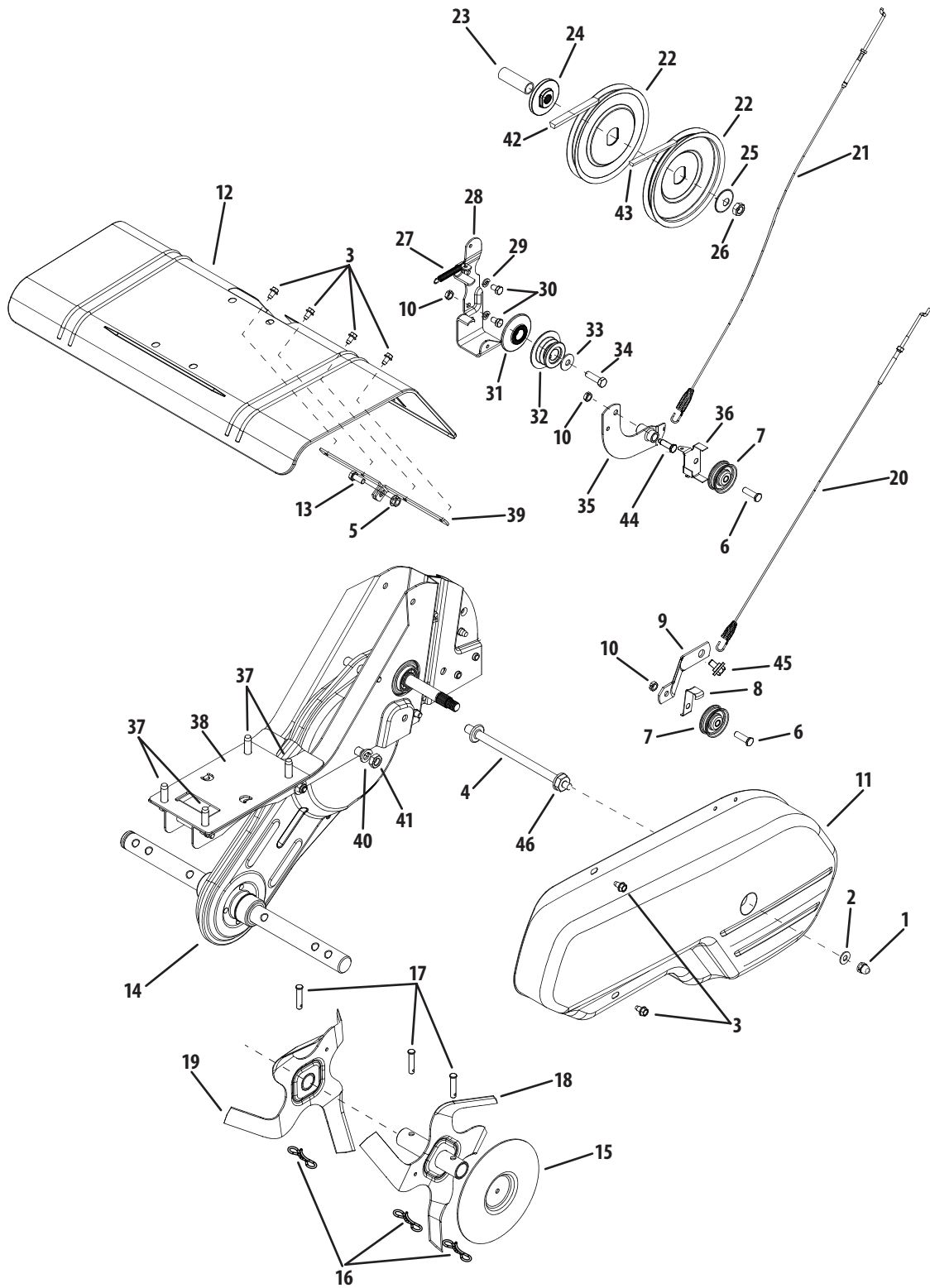


Ref.	Part Number	Description
1.	912-0442	Acorn Lock Nut, ¼-20
2.	936-3020	Flat Washer, .271" x.630"
3.	720-0270A†	Reverse Handle Grip
4.	731-1600	Handle Cover w/o throttle (390)
—	731-06253A	Handle Cover (340)
5.	710-0779A	Truss Machine Screw, #10 x ½"
6.	720-0274	Handle Grip
7.	712-3006	Hex Nut, ¼-20 (390)
—	912-0298	Jam Nut, 1/4-20 (340)
8.	726-0135†	Cap Speed Nut
9.	686-0083	Clutch Handle Assembly
10.	720-0269	Clutch Grip
11.	710-0641	Hex Bolt, ¼-20 x 2.25"
12.	931-1645B	Clutch Handle Holder
13.	936-0140	Flat Washer, .385" x .62"
14.	686-0014C†	Reverse Handle Assembly
15.	936-0264†	Flat Washer, .344" x .62"
16.	649-04040	Handle Assembly Complete
17.	749-1401A	Handle Brace
18.	736-0242	Bell Washer, .34"
19.	710-06053	Hex Bolt, ½-20
20.	786-0005	Depth Bar
21.	714-04043	Cotter Pin, Bow Tie
22.	712-04063	Hex Flange L-Nut, ⅝-18

Ref.	Part Number	Description
23.	786-0003	Tail Piece Bracket, Left
24.	786-0004	Tail Piece Bracket, Right
25.	911-0415	Clevis Pin
26.	710-0805	Hex Bolt, ⅝-18 x 1.5"
27.	710-0189	Hex Bolt, ⅝-18 x 3"
28.	736-0242	Bell Washer, .340" x .872"
29.	711-1036A	Hex Nut
30.	936-0119	L-Washer, ⅝"
31.	710-3008	Hex Bolt, ⅝-18
32.	786-0129	Cable Guide Bracket
33.	710-0604A	Hex Washer Screw, ⅝-18 x .62"
34.	710-0602	Hex Washer TT-Tap Screw
35.	738-0934A	Shoulder Bolt, ⅝-18
36.	720-0195	Hand Knob
37.	750-0470	Spacer
38.	936-0171	Lock Washer, ⅞
39.	912-0240	Jam Nut, ⅞-20
40.	710-0176	Hex Bolt, ⅝-18 x 2.75"
41.	912-0429	Nylon Hex Nut, ⅝-18
42.	686-0081A	Wheel Hanger Bracket Assembly
43.	734-04623	Wheel, 8 x 1.75
44.	738-0929	Shoulder Screw, .496 x 1.445
45.	750-0890	Spacer
46.	710-1236	Carriage Bolt, ⅝-18 x 1

† If Equipped

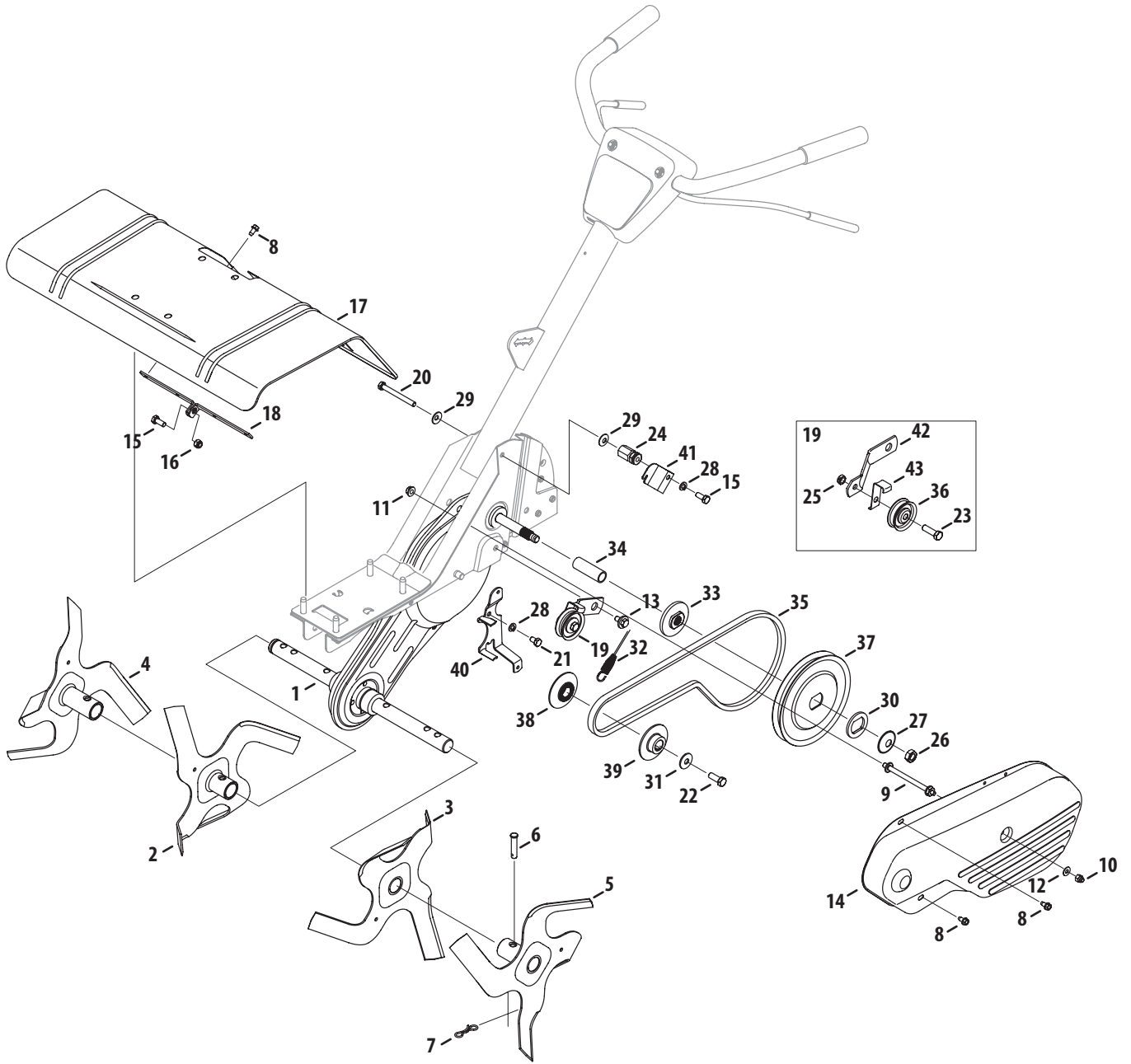
Model Series 390



Ref.	Part Number	Description
1.	712-0392	Hex L-Stop Nut, 1/4-28
2.	936-3020	Flat Washer, 2.66" x .625"
3.	710-0599	Hex Washer TT-Tap Screw, 1/4-20 x .5"
4.	711-0920	Belt Cover Bolt
5.	712-04063	Hex Flange Top L-Nut, 5/16-18
6.	710-3005	Hex Head Screw, 3/8-16 x 1.25"
7.	756-0313	Flat Idler Pulley, 2.12"
8.	786-0149	Idler Belt Keeper
9.	786-0144	Idler Bracket
10.	712-0266A	Hex Center Jam Nut, 3/8-16
11.	786-0057	Belt Cover w/ rev.
12.	786-0043A	Tine Shield
13.	710-3008	Hex Head Cap Screw, 5/16-18 x .75"
14.	986-0091	Chain Case Assembly Complete
15.	686-0106	Outer Disc Plate Assembly
16.	714-04043	Cotter Pin, Bow Tie
17.	911-0415	Clevis Pin
18.	642-0023	Outer Tine Assembly, LH,
—	642-0024	Outer Tine Assembly, RH
19.	642-0003	Inner Tine Assembly, Left
—	642-0002	Inner Tine Assembly, Right
20.	946-0918	Forward Clutch Cable
21.	946-0953	Reverse Clutch Cable
22.	756-0585	Flat Pulley, 6"

Ref.	Part Number	Description
23.	950-0892	Spacer, .64" x 2.4"
24.	948-0350	Pulley Mounting Adapter
25.	736-0112	Bell Washer, 5.25" x 1.5"
26.	712-3029	Hex Jam Nut, 1/2-20
27.	732-0697	Return Spring
28.	786-0040B	Reverse Bracket
29.	936-0119	Lock Washer, 5/16
30.	710-0237	Hex Bolt, 5/16-24 x .625"
31.	756-0971	Engine Inner Pulley
32.	756-0600	Reverse Engine Pulley
33.	936-0452	Bell Washer, .396" x 1/4"
34.	710-1039	Hex Bolt, 3/8-24 x 1.00"
35.	686-0013	Reverse Arm Assembly
36.	786-0041	Reverse Belt Keeper
37.	710-0502A	Hex L-Washer TT-Tap, 3/8-16 x 1.25"
38.	786-0145A	Engine Plate
39.	786-0053	Tine Shield Bracket
40.	936-0171	L-Washer, 7/16"
41.	912-0240	Hex Nut, 7/16-20
42.	954-0428	Forward Drive Belt, 1/2 x 41.9"
43.	954-0429	Reverse Drive Belt, 3/8 x 45.68"
44.	938-0102	Shoulder Screw, .498 x 1.445
45.	738-0930	Shoulder Screw, .560 x .165
46.	712-3004A	Flangelock Nut, 5/16 - 18

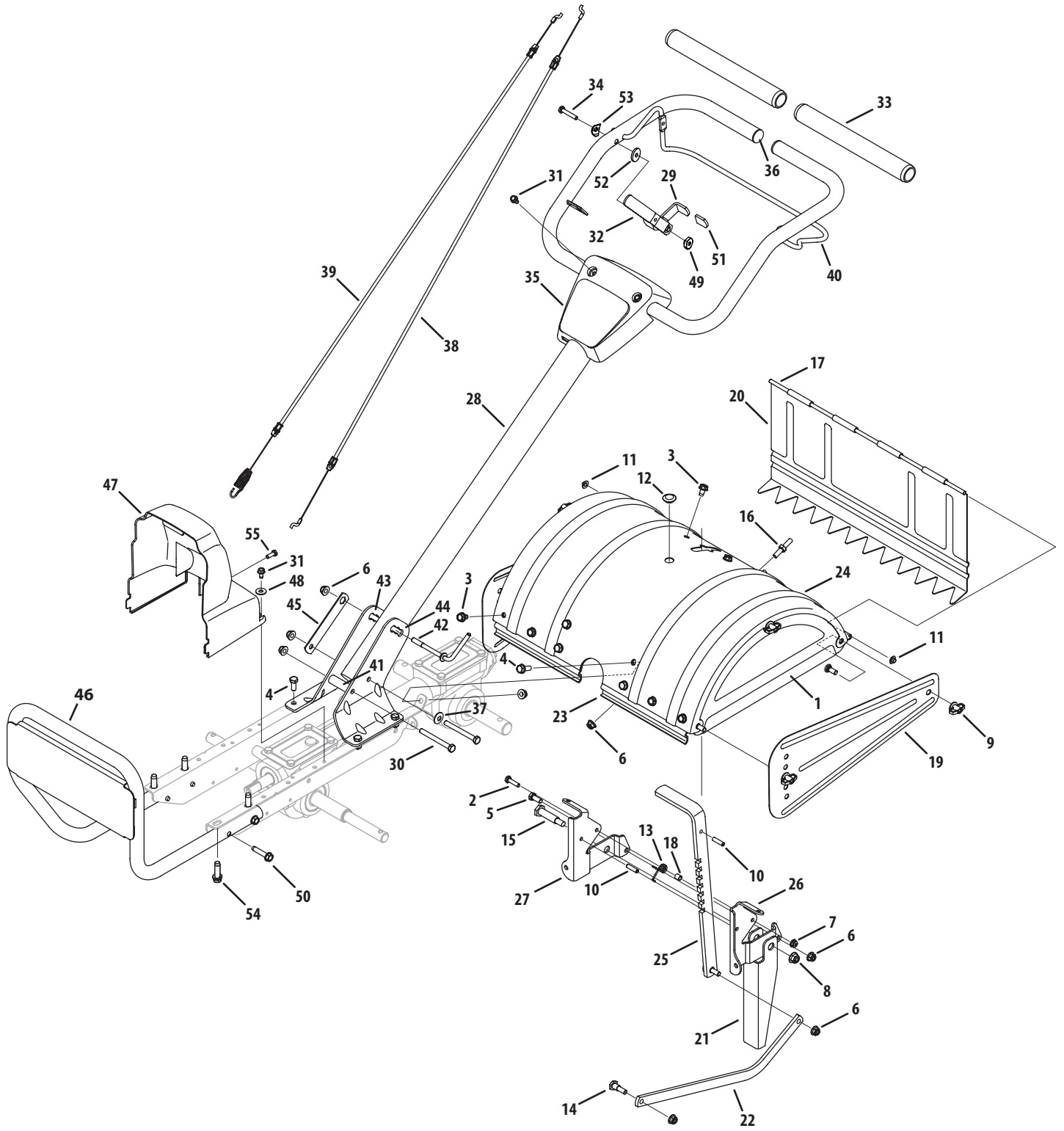
Model Series 340



Ref.	Part Number	Description
1.	986-0091	Chain Case Assembly
2.	642-0002	Inner Tine Assembly, RH
3.	642-0003	Inner Tine Assembly, LH
4.	642-0004	Outer Tine Assembly, RH
5.	642-0005	Outer Tine Assembly, LH
6.	911-0415	Clevis Pin, .375 x 1.75
7.	714-04043	Bow Tie Cotter Pin
8.	710-0599	Screw, 1/4-20 x 0.500
9.	711-0919	Bolt, Belt Cover
10.	712-0392	Nut, 1/4-28, Lock
11.	712-3004A	Nut, 5/16-18, Flange Lock
12.	936-3020	Flat Washer, .271 x .630 x .065
13.	738-0930	Shoulder Screw, .560 x .165 5/16-18
14.	786-0056	Belt Cover
15.	710-3008	Hex Head Screw, 5/16-18 x .75
16.	712-04063	Nut, 5/16-18, Flange Lock
17.	786-0043A	Tine Shield
18.	786-0053	Bracket, Tine Shield
19.	686-0088	Idler Bracket Assembly
20.	710-0189	Hex Head Screw, 5/16-18 x 3.00
21.	710-0237	Hex Head Screw, 5/16-24 x .625
22.	710-1039	Hex Head Screw, 3/8-24 x 1.00

Ref.	Part Number	Description
23.	710-3005	Hex Head Screw, 3/8-16 x 1.25
24.	711-1036A	Hex Nut, 5/16-18
25.	712-0266A	Jamlock Nut, 3/8-16
26.	712-3029	Nut, 1/2-20, Jam
27.	736-0112	Washer, .531 x 1.62 x .045
28.	936-0119	Lock Washer, 5/16
29.	736-0242	Bell Washer, .340 x .872 x .060
30.	736-0312	Flat Washer, 1.26 x 1.87 x .150
31.	936-0452	Bell Washer, .396 x 1.140 x .095
32.	946-0918	Forward Clutch Cable
33.	948-0350	Pulley Adaptor
34.	950-0892	Spacer, .64 ID x 2.4
35.	954-0428	Belt, 4L x 41.9 LG
36.	756-0313	Pulley 1.88 OD
37.	756-0585	Pulley 6.00 OD
38.	756-0971	Inner Engine Pulley
39.	756-0972	Outer Engine Pulley
40.	786-0039B	Belt Keeper Bracket
41.	786-0129	Cable Guide Bracket
42.	786-0144	Idler Bracket
43.	786-0149	Belt Keeper

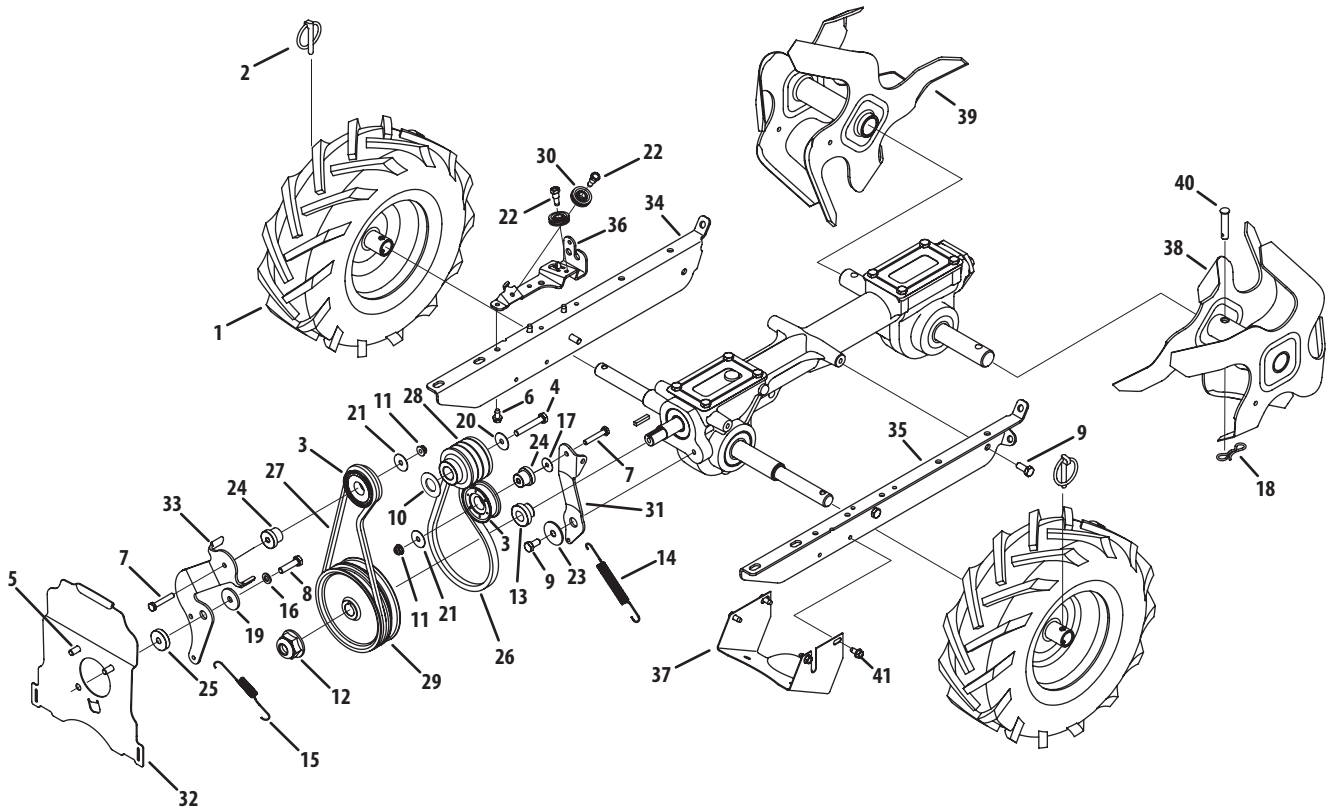
Model Series 400



Ref.	Part Number	Description
1.	686-0044B	End Cover Assembly
2.	710-0597	Hex Head Screw, ¼-20 x 1
3.	710-0604A	Hex Head Screw, ⅝-18 x .625
4.	710-1238	Hex Head Screw, ⅝-18 x .875
5.	710-3008	Hex Head Screw, ⅝-18 x .75
6.	712-04063	Nylon Hex Lock Nut, ⅝-18
7.	712-04064	Nylon Hex Lock Nut, ¼-20
8.	712-04065	Flange Lock Nut, ⅜-16
9.	712-0421	Wing Nut, ⅝-18
10.	715-0108	Spirol Pin
11.	926-0106	Cap Nut, ¼ Rod
12.	731-05512	Hole Plug
13.	732-04320	Torsion Spring
14.	738-04320	Shoulder Screw, .405 x .435 ⅝-18
15.	938-0533	Shoulder Screw, .498 x 1.635
16.	938-0849	Stop Screw
17.	747-0432	Tiller Flap Rod
18.	750-05349	Spacer
19..	786-0090A	Side Shield
20.	786-0113A	Rear Tine Shield
21.	786-04092	Reverse Stop Arm
22.	786-04104	Drag Bar
23.	786-04352A	Tine Shield Mounting Bracket
24.	786-04355A	Tine Shield
25.	786-04356	Adjustable Depth Bar
26.	786-04363	Tail Bracket, LH
27.	786-04364	Tail Bracket, RH
28.	649-04098A	Upper Handle Assembly

Ref.	Part Number	Description
29.	686-04135	Reverse Handle Assembly
30.	710-0189	Hex Head Screw, ⅝-18 x 3.00
31.	710-0599	Self-Tapping Screw, ¼-20 x ½
32.	731-04735	Handle Select
33.	720-0278A	Foam Handle Grip
34.	710-3288	Hex Head Screw, ¼-20 x 1.62
35.	731-06253A	Handle Cover
36.	735-04105	Plug End
37.	736-0242	Bell Washer, .340 x .872 x .060
38.	946-04504	Reverse Cable
39.	946-04506	Forward Cable
40.	747-04789	Clutch Bail
41.	750-0885A	Spacer, .322 x .625 x 2.00
42.	786-0340B	Handle Crank
43.	786-04344	Handle Bracket, RH
44.	786-04345	Handle Bracket, LH
45.	786-04358	Retainer Nut Bracket
46.	686-04144	Front Bumper
47.	731-06529	Belt Cover
48.	736-0173	Flat Washer, .28 x .74 x .063
49.	738-0440	Spacer, .375 x .165
50.	710-04605	Hex Head Screw, ⅝-18 x 1.50
51.	720-04173	Reverse Handle Grip
52.	936-0176	Flat Washer, .265 x .938 x .120
53.	936-0451	Saddle Washer, .320 x .930 x .060
54.	710-0502A	SEMS Screw, ⅜-16
55.	710-0896	Self Tapping Screw, ¼-14 x .625

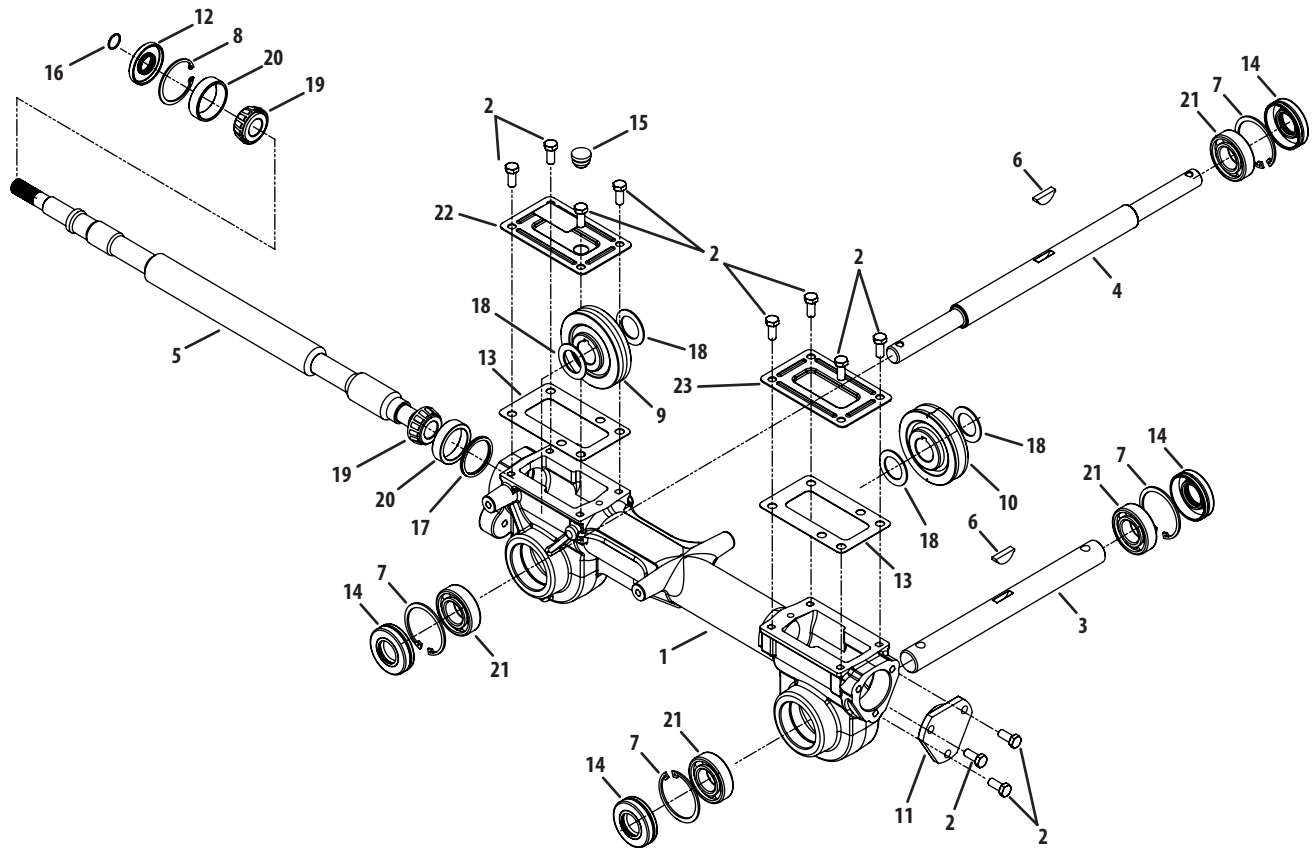
Model Series 400



Ref.	Part Number	Description
1.	934-04736	Complete Whl. Ass., 13 x 5 x 6
	634-04735	Rim, 6.0 X 3.25
	734-04163A	Tire, 13 x 5 x 6
2.	714-0143A	Klik Pin
3.	684-04168	Idler Pulley Assembly
4.	710-0331	Hex Head Screw, 3/8-24 x 2.25
5.	710-0170	Hex Head Screw, 5/16-24 x .625
6.	710-0599	Self Tapping Screw, 1/4-20 x .500
7.	710-0606	Hex Head Screw, 1/4-20 x 1.50
8.	710-0672	Hex Head Screw, 5/16-18 x 1.25
9.	710-1880	Hex Head Screw, 5/16-18 x .75, Patch
10.	736-0315	Washer, Flat, .760 x 1.50 x .120
11.	712-04064	Nylon Hex Lock Nut, 1/4-20
12.	712-0700	Nut, 9/16-18, Flange Lock
13.	718-04407	Hub, 5/8 Spline
14.	732-04085	Extension Spring, .480 OD X 5.00 LG
15.	732-04276A	Extension Spring, LT5 PTO
16.	936-0119	Lock Washer, 5/16
17.	736-0173	Washer, .28 x .74 x .063
18.	714-04043	Cotter Pin, Bow Tie
19.	736-0343	Flat Washer, .330 X 1.25 X .120
20.	936-0452	Bell Washer, .396 x 1.140 x .095

Ref.	Part Number	Description
21.	736-3092	Flat Washer, .265 x 1.0 x .030
22.	738-04425	Shoulder Screw, .342 x .335 1/4-28
23.	748-04087A	Pivot Idler Spacer
24.	750-04571	Shoulder Spacer, .260 x .785 x .538
25.	750-04907	Pivot Idler Spacer
26.	954-04090	V-Belt, 4L x 25.375 Long
27.	954-04091	V-Belt, 3L x 29.125 Long
28.	756-04198A	Engine Pulley
29.	756-04355	Transmission Pulley
30.	756-0625	Cable Roller
31.	786-04312	Idler Bracket, Forward
32.	786-04343	Cover Plate
33.	786-04346	Idler Bracket, Reverse
34.	786-04416A	Mounting Frame, RH
35.	786-04415B	Mounting Frame, LH
36.	786-04357	Pulley Bracket
37.	786-04371	Pulley Shield
38.	642-04071	Tine Assembly, LH
39.	642-04072	Tine Assembly, RH
40.	911-0415	Clevis Pin, .375 x 1.75
41.	710-0896	Self Tapping Screw, 1/4-14 x .625

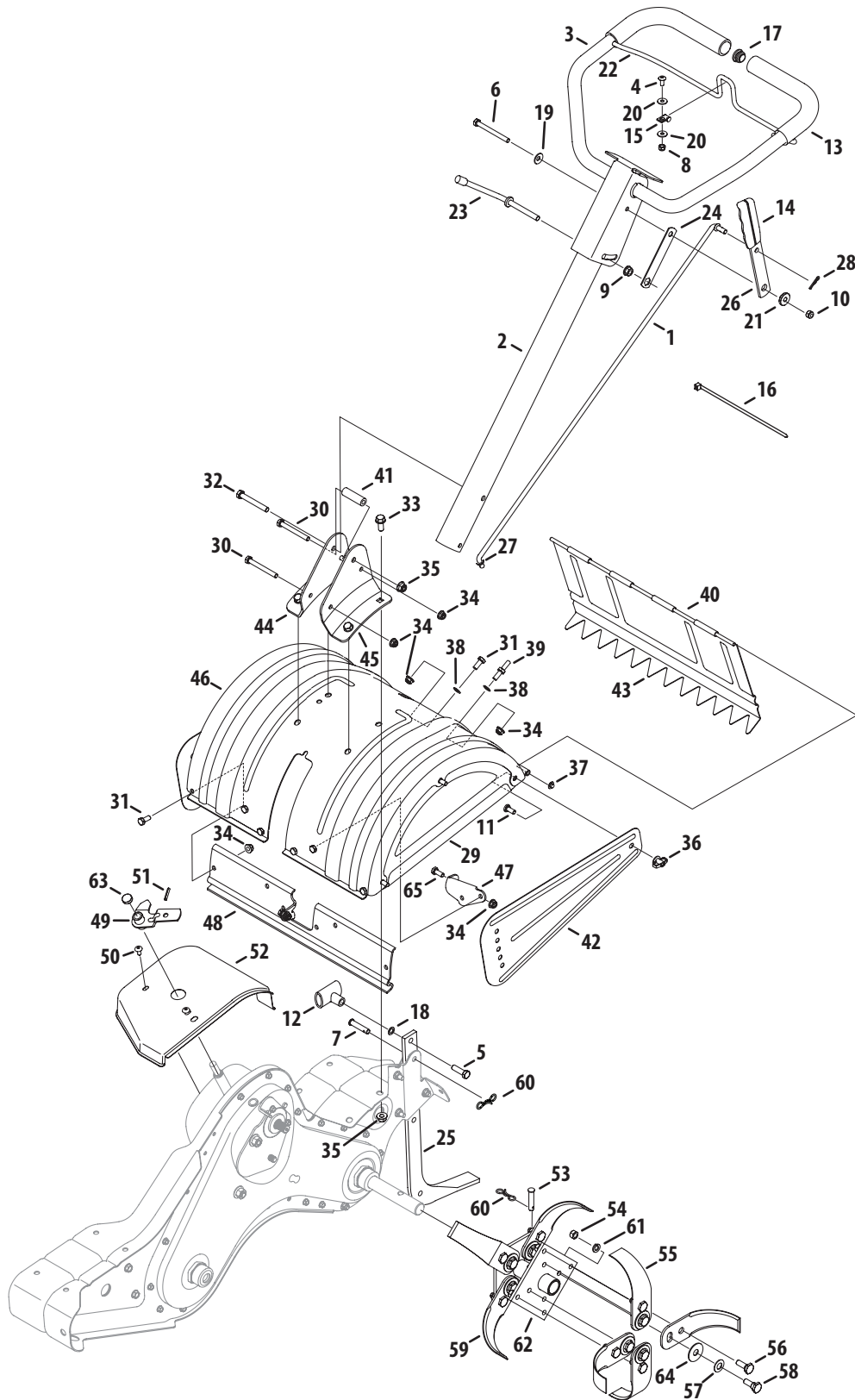
Model Series 400



Ref.	Part Number	Description
	918-04815A	Transmission Assembly
1.	919-04184A	Housing, Transmission
2.	710-3008	Hex Screw, 5/16-18, .75, Gr5
3.	911-04844	Shaft, Tiller
4.	911-04854	Shaft, Wheel
5.	911-05028	Shaft, Worm
6.	714-04059	Key, Hi Pro .25 x 1.062
7.	716-0204	Retaining Ring
8.	716-04102	Retaining Ring, Int
9.	917-04380	Worm Gear, 61t, RH
10.	917-04381	Worm Gear, 30t, LH
11.	918-04435	Bearing Cover
12.	921-04030	Seal, Oil, .750 Shaft x 1.783 Bore
13.	921-04229	Gasket, Gear Housing
14.	721-04232	Seal, Oil, 1.00 Shaft x 2.00 Bore
15.	721-04271	Rubber Plug, Oil
16.	732-0614	Wire Ring
17.	736-04305	Washer, Flat, 1.50 x 1.75 x .062
—	736-04306	Washer, Flat, 1.50 x 1.75 x .005
—	736-04307	Washer, Flat, 1.50 x 1.75 x .03
—	736-04308	Washer, Flat, 1.50 x 1.75 x .010
18.	736-0745	Washer, Flat, 1.010 x 1.56 x .060
19.	941-04298	Cone Bearing
20.	941-04299	Bearing Cup
21.	741-3114	Ball Bearing
22.	786-04366	Cover, Transmission
23.	786-04392	Cover, Transmission

* — The flat washers listed are used as required to obtain .005 to .015 in allowable end play on the drive shaft.

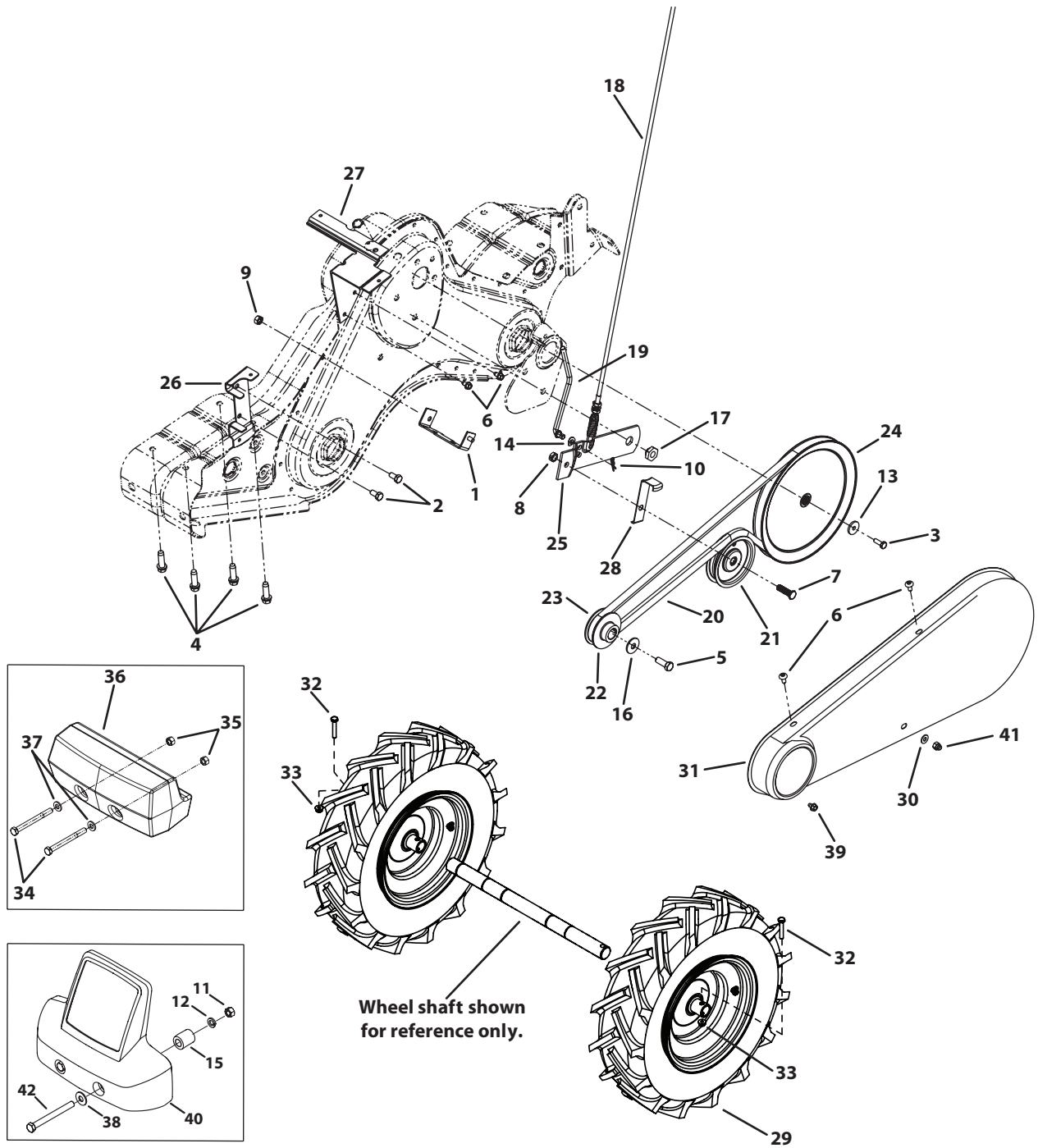
Model Series 450



Ref.	Part Number	Description
1.	747-1152	Shaft Rod
2.	649-0034	Lower Handle Tube Assembly
3.	649-0041A	Upper Handle Assembly
4.	710-0946	Screw, 1/4-20 x 0.625
5.	710-3005	Hex Head Screw, 3/8-16:1.25
6.	710-3056	Hex Head Screw, 5/16-18 x 3.25
7.	911-0415	Clevis Pin, .375 X 1.75
8.	712-0324	Hexlock Nut, 1/4-20
9.	712-0379	Flangelock Nut, 3/8-24
10.	912-0429	Hexlock Nut, 5/16-18
11.	710-1307	Stud, 5/16-18 x .75
12.	720-0210A	Small Tee Knob
13.	720-0278A	Foam Grip, .970 x 11.0
14.	720-0313	Grip, .1875 x 1.00
15.	726-0273	Battery Clamp, 5/16
16.	726-0317	Cable Tie, 8.5 LG
17.	735-0246A	End Plug
18.	936-0117	Washer, Flat, .385 x .620 x .033
19.	736-0242	Washer, Bell, .340 x .872 x .060
20.	736-3090	Washer, Flat, .260 x .720 x .060
21.	938-0958	Spacer, Shoulder, .50 x .190 x .360
22.	747-1219A	Clutch Bail
23.	784-0190	Handle Adjustment Crank
24.	784-0191	Hex Nut Retainer Bracket
25.	786-0120	Tiller Depth Control
26.	786-0181	Shaft Rod Lever
27.	735-0127	Washer, Rubber, .33 ID x .125
28.	914-0104	Cotter Pin, .072 x 1.12 LG
29.	686-0044B	End Cover Assembly
30.	710-0176	Hex Head Screw, 5/16-18 x 2.75
31.	710-3008	Hex Head Screw, 5/16-18 x .75
32.	710-3022	Hex Head Screw, 3/8-16 x 2.75
33.	710-04482	Hex Head Flange, 3/8-16 x .875

Ref.	Part Number	Description
34.	712-04063	Flangelock Nut, 5/16-18
35.	712-04065	Flangelock Nut, 3/8-16
36.	712-0421	Wing Nut, 5/16-18 W/ Bell Washer
37.	926-0106	Speed Nut Cap, 1/4 ROD
38.	736-0204	Washer, Flat, .344 x .62 x .033
39.	938-0849	Screw, Hex, 5/16-18 x .75
40.	747-0432	Tiller Flap Rod
41.	750-0885A	Spacer, .322 x .625 x 2.00
42.	786-0090A	Side Shield
43.	786-0113A	Rear Tine Shield
44.	786-0176	RH Handle Mount Bracket
45.	786-0177	LH Handle Mount Bracket
46.	786-0178A	Tine Shield
47.	786-0179	FRT Tine Shield Bracket
48.	786-0180	FRT Tine Shield Spacer Bracket
49.	686-0109A	Shift Crank Assembly
50.	710-1652	Screw, 1/4-20 x .625
51.	715-0120	Spiral Pin, 3/16 x 1.0
52.	784-0208D	Shift Cover
53.	911-0415	Clevis Pin
54.	712-3054	Hex Nut, 3/8-24
55.	742-0305A	13" Articulating Tine
56.	938-0689	Shoulder Bolt
57.	936-0253	Bell Washer, .515" ID x 1.14" OD
58.	938-0688	Shoulder Bolt
59.	784-0160	Tine Adapter Assembly, 18"
60.	714-04043	Internal Cotter Pin
61.	936-0169	Lock Washer
62.	784-0161	Tine Adapter Plate
63.	731-07556	Cap
64.	936-0208	Washer, Flat, .51 x 1.5 x .07
65.	710-0376	Hex Head Screw, 5/16-18 x 1.00

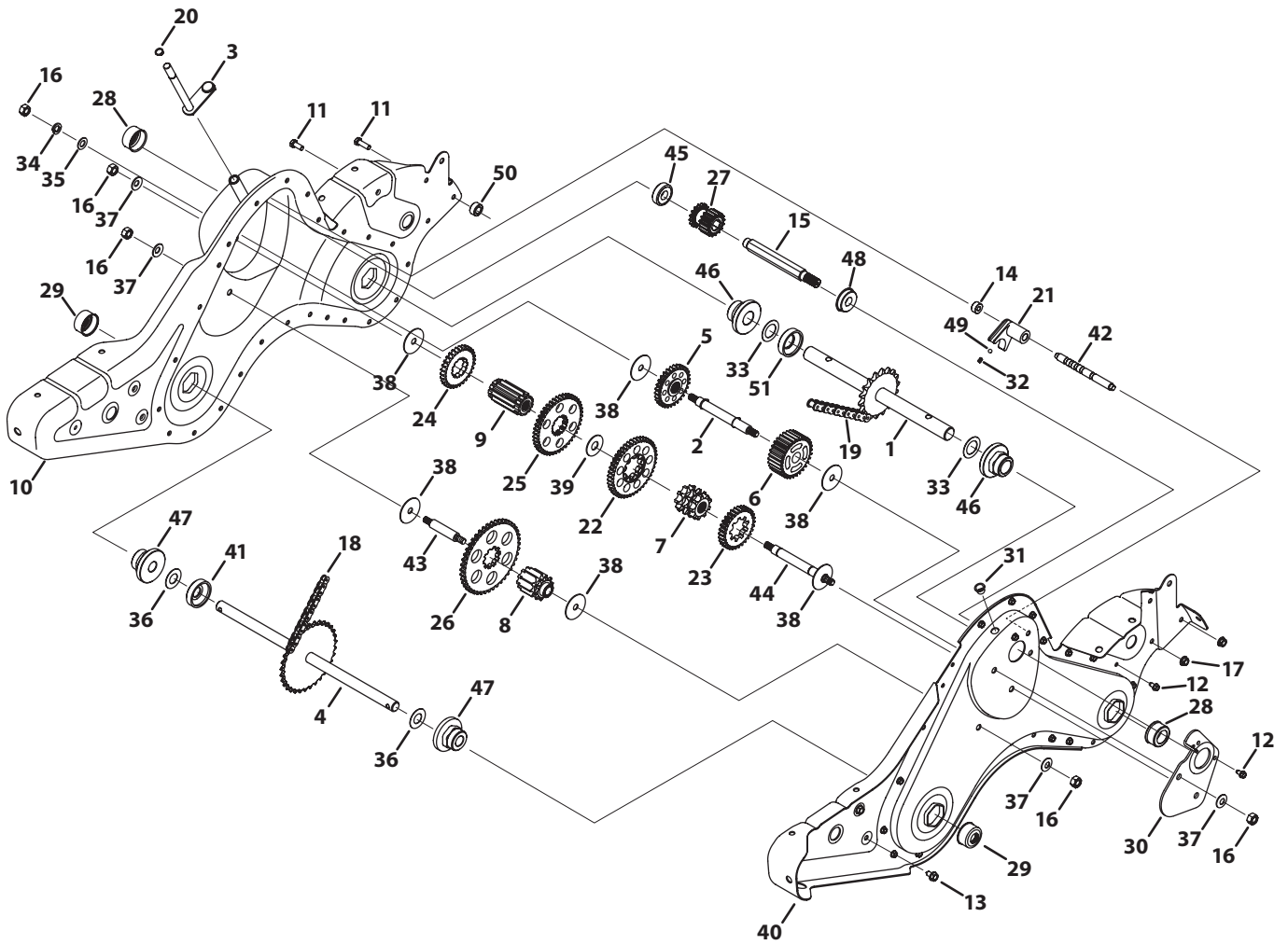
Model Series 450



Ref.	Part Number	Description	Ref.	Part Number	Description
1.	686-0111	Belt Cover Bracket Assembly	22.	756-0971	Outer Engine Pulley Half
2.	710-0170	Hex Bolt, 5/16-24 x .625	23.	756-0972	Inner Engine Pulley Half
3.	710-0513	Hex Bolt, 1/4-28 x .75"	24.	756-1162	Input Pulley
4.	710-0520	Hex Washer Screw, 3/8-16 x 1.50"	25.	786-0064A	Idler Bracket
5.	710-1039	Hex Bolt, 3/8-24 x 1.0	26.	786-0185A	Belt Keeper Bracket
6.	710-1652	Hex Washer Screw	27.	786-0187	Shift Cover Bracket
7.	710-3005	Hex Cap Screw, 3/8-16 x 1.25	28.	786-0193	Idler Belt Keeper
8.	712-0266A	Lock Jam Nut, 3/8-16	29.	934-04365A	Wheel Assembly, 16.0 x 4.6 x 8
9.	712-04063	Flangelock Nut, 5/16-18	30.	936-3020	Flat Washer, .271 ID x .630 OD
10.	914-0104	Internal Cotter Pin	31.	784-0158A	Belt Cover
11.	912-3066	Hex Nut, 1/2-20	32.	710-05289	Hex Head Screw, 1/4-20
12.	936-0921	Washer, Lock, 1/2	33.	712-04064	Flange Lock Nut, 1/4-20
13.	936-0176	Flat Washer, .25 ID x .93 OD	34.	710-0382	Hex Bolt, 1/2-13 x 5.0
14.	936-0271	Spring Washer, .317 ID x .625 OD	35.	712-04150	Flange Lock Nut, 1/2-13
15.	750-0194	Hub, .636 ID x 1.00 OD x .94	36.	723-0381†	Counterweight, 40 lbs.
16.	936-0452	Bell Washer, .396 ID x 1.14 OD	37.	936-0326	Flat Washer
17.	738-0876A	Shoulder Nut, 7/16-20	38.	936-0179	Washer, Flat, 1/2 x 1.25 x .100
18.	946-1117	Clutch Cable	39.	710-0653	Hex Screw, 1/4-20 x .375
19.	747-1159	Idler Pulley Rod	40.	731-1595†	Counterweight
20.	954-0434	V-Belt	41.	712-0392	Lock Nut
21.	756-0405	Flat Idler w/ Flange, 3.75 OD	42.	710-0506	Hex Head Screw, 1/2-13 x 5.50

† If Equipped

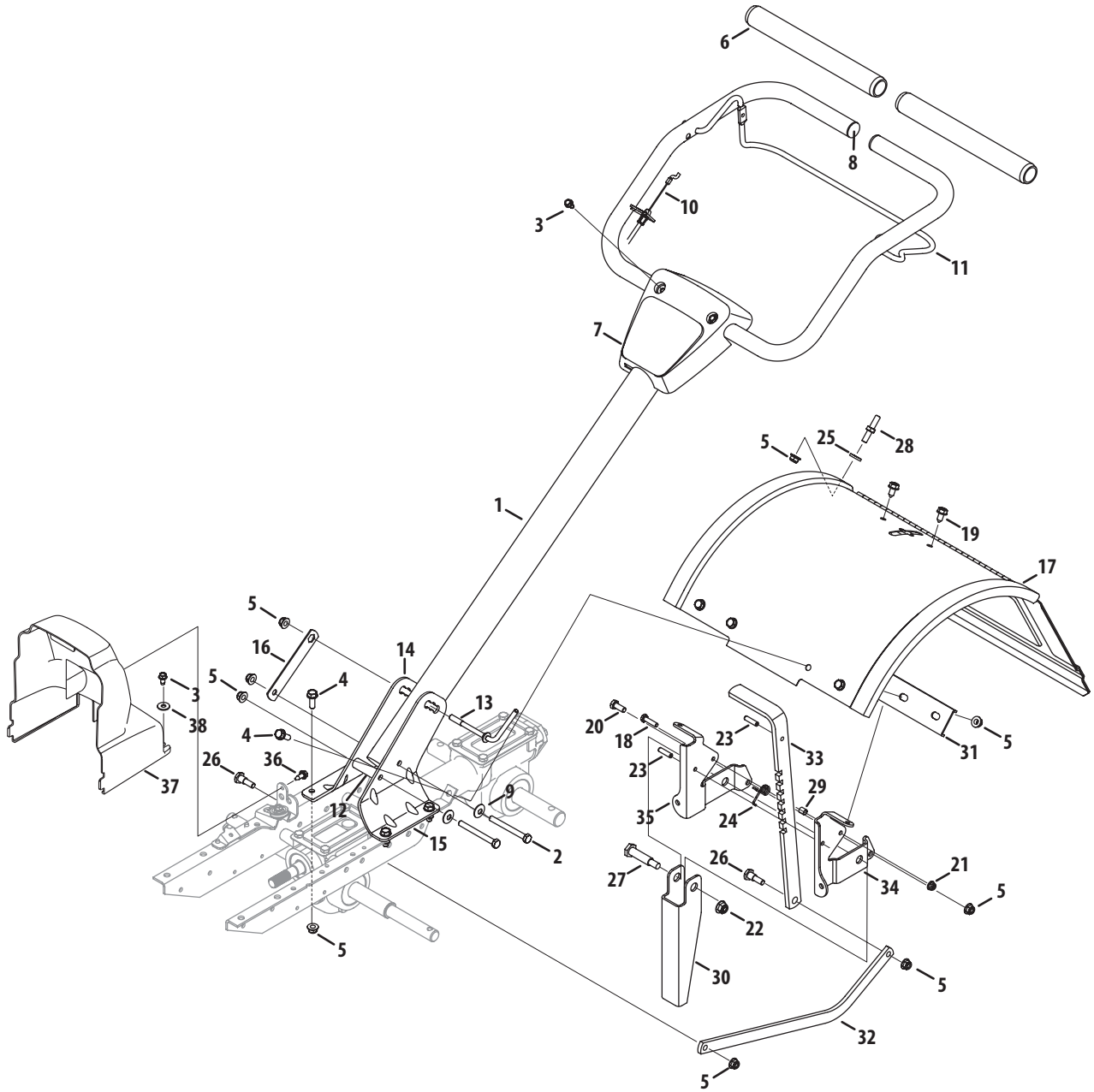
Model Series 450



Ref.	Part Number	Description
1.	611-0021	Shaft Assembly, Tine, 18T
2.	611-0128	Shaft Assembly, Jack
3.	611-0129	Shaft Assembly, Shift Input
4.	611-04074A	Shaft Assembly, Wheel, 33T
5.	617-0058	Gear Assembly, 30T Reverse Idler
6.	617-0059	Gear Assembly, 30T Tine Idler
7.	617-0060	Sprocket Assembly, 9T Tine Input
8.	617-0061	Sprocket Assembly, 10T Whl Input
9.	617-0062	Gear Assembly, 11T
10.	686-0108A	RH Chain Case Housing Assembly
11.	710-0376	Hex Head Screw, 5/16-18 x 1.00
12.	710-1652	Screw, 1/4-20 x 0.625
13.	710-04484	Screw, :5/16-18 x 0.75
14.	750-0664	Spacer, .505 ID x .88 OD x .440
15.	711-1349A	Input Shaft, .75
16.	712-0378	Nut, Hex, 7/16-20
17.	712-04063	Nut, Flangelock, 5/16-18
18.	913-0367	Endless Chain, #420 x 50 Links
19.	913-0484	Endless Chain, #50 x 54 Links
20.	716-0865	Snap Ring, .500
21.	717-0853A	Clutch Collar
22.	717-1582A	Gear Spur, 44T
23.	717-1583	Gear Spur, 30T
24.	717-1584	Gear Spur, 30T
25.	717-1585	Gear Spur, 44T
26.	717-1587	Gear Spur, 44T

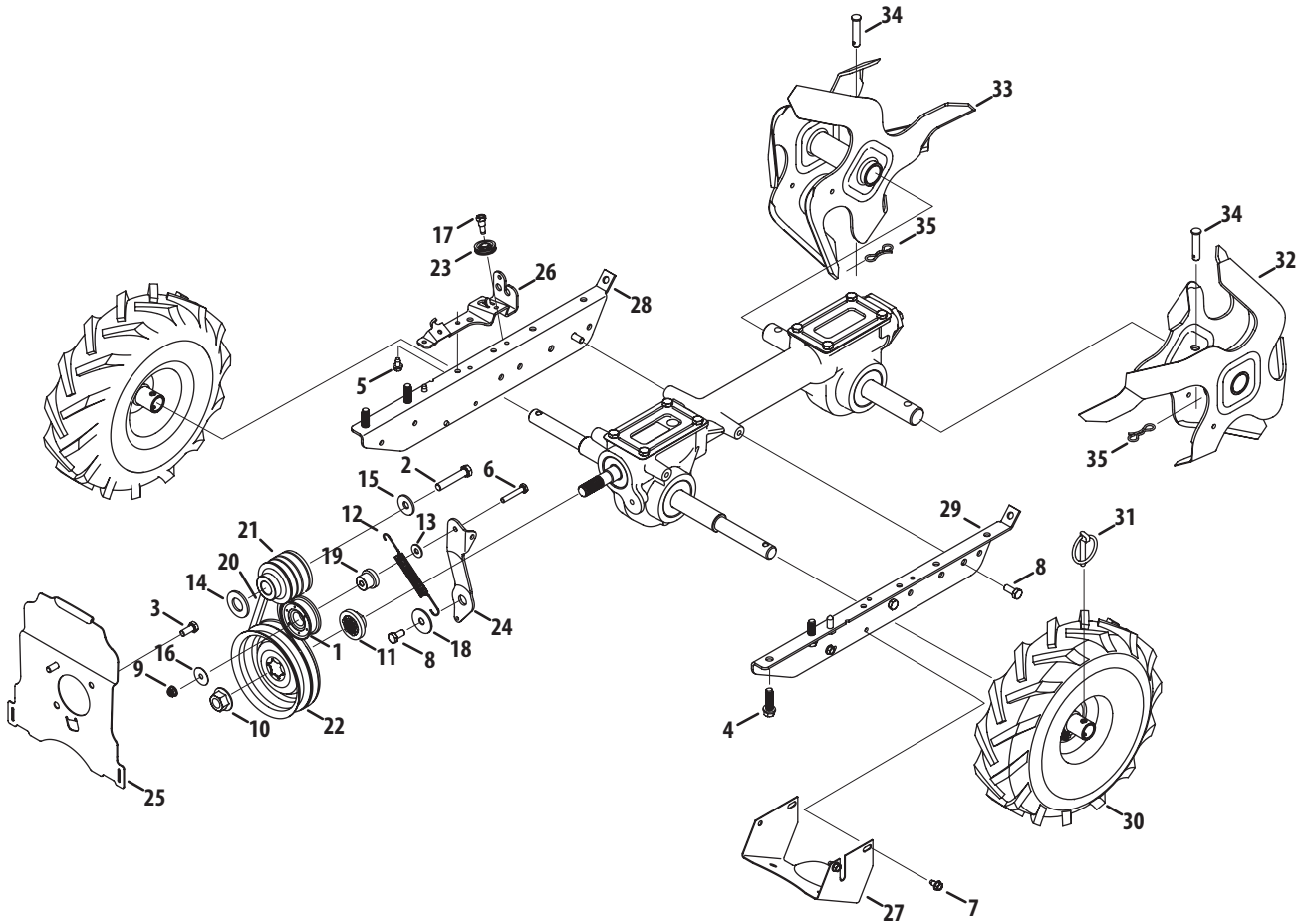
Ref.	Part Number	Description
27.	717-1594	Gear Spur, 16T
28.	921-0378	Shaft Seal, 1.0
29.	721-0379	Shaft Seal, .75
30.	786-0238	Positioner Gear Bracket
31.	726-0277	Tapered Cap Plug
32.	732-04778	Compression Spring, .230 OD
33.	936-0163	Washer, Flat, 1.03 x 1.62 x .03
34.	936-0171	Washer, Lock, 7/16
35.	936-0226	Washer, Flat,.474 x .879 x .064
36.	936-0351	Washer, Flat, .760 ID x 1.50 OD
37.	736-0407	Washer, Bell,.45 x 1.00 x .062
38.	736-0518	Washer, Thrust, .445 x 1.92 x .060
39.	736-3088	Washer, Flat,1.595 x .635 x .062
40.	686-04129	LH Chain Case Housing
41.	950-0671	Spacer, .75 x 2.0 x .50
42.	738-0645	Shaft Detent, .5 DIA
43.	738-0648	Shaft, Jack, .625 x 2.385
44.	738-04424A	Shaft, Jack, .6250 x 5.0050
45.	941-0600	Ball Bearing, 17 x 40 x 12:6203
46.	941-0420	Flange Bearing, 1.0 x 2.5 x 1.38
47.	741-0421	Flange Bearing, .75 x 2.5 x 1.38
48.	941-0563	Ball Bearing, 17 x 40 x 12:6203
49.	741-0862	Ball, Detent, .250
50.	750-0258	Spacer, .315 x .750 x .375 LG
51.	950-0570	Spacer, 1.0 ID x 2.0 OD x .5 LG
—	986-04074B	Gear Case Assembly Complete

Model Series 620



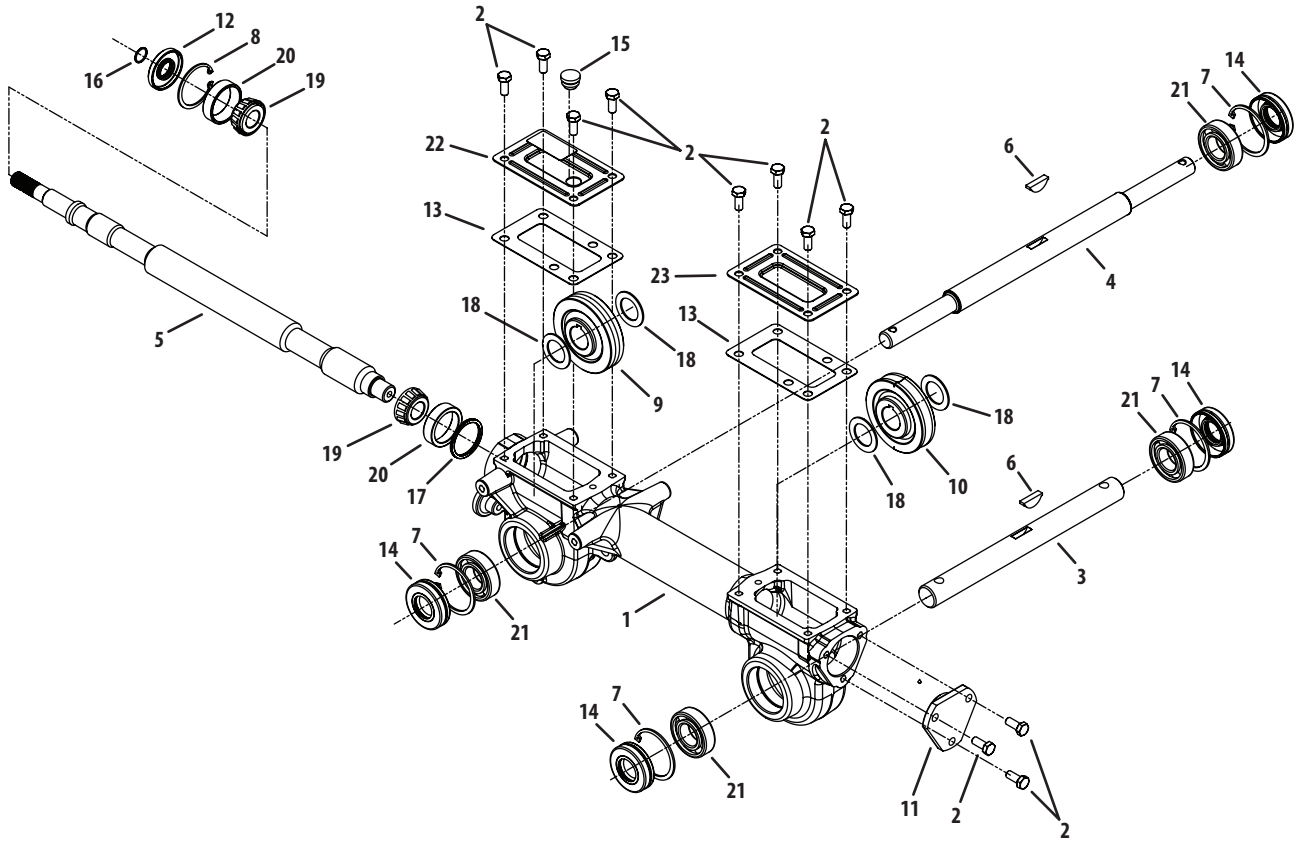
Ref.	Part Number	Description
1.	649-04098A	Upper Handle Assembly
2.	710-0189	Hex Head Screw, 5/16-18 x 3.00
3.	710-0599	Self-Tapping Screw, 1/4-20 x 1/2
4.	710-1238	Hex Head Screw, 5/16-18 x .875
5.	712-04063	Nylon Hex Lock Nut, 5/16-18
6.	720-0278A	Foam Handle Grip
7.	731-06253A	Handle Cover
8.	735-04105	Plug End
9.	736-0242	Bell Washer, .340 x .872 x .060
10.	946-04506	Forward Cable
11.	747-04789	Clutch Bail
12.	750-0885A	Spacer, .322 x .625 x 2.00
13.	786-0340B	Handle Crank
14.	786-04344	Handle Bracket, RH
15.	786-04345	Handle Bracket, LH
16.	786-04358	Retainer Nut Bracket
17.	686-05000	Tine Shield Assembly
18.	710-0597	Hex Head Screw, 1/4-20 x 1
19..	710-0604A	Hex Head Screw, 5/16-18 x .625
20.	710-3008	Hex Head Screw, 5/16-18 x .75
21.	712-04064	Nylon Hex Lock Nut, 1/4-20
22.	712-04065	Flange Lock Nut, 3/8-16
23.	715-0108	Spirol Pin
24.	732-04320	Torsion Spring
25.	936-3008	Flat Washer, .344 x .750 x .120
26.	738-04320	Shoulder Screw, .405 x .435 5/16-18
27.	938-0533	Shoulder Screw, .498 x 1.635
28.	938-0849	Stop Screw
29.	750-05349	Spacer
30.	786-04092	Reverse Stop Arm
31.	786-04098	Support Bracket
32.	786-04104	Drag Bar
33.	786-04356	Adjustable Depth Bar
34.	786-04363	Tail Bracket, LH
35.	786-04364	Tail Bracket, RH
36.	710-0896	Self Tapping Screw, 1/4-14 x .625
37.	731-06529	Belt Cover
38.	736-0173	Flat Washer, .28 x .74 x .063

Model Series 620



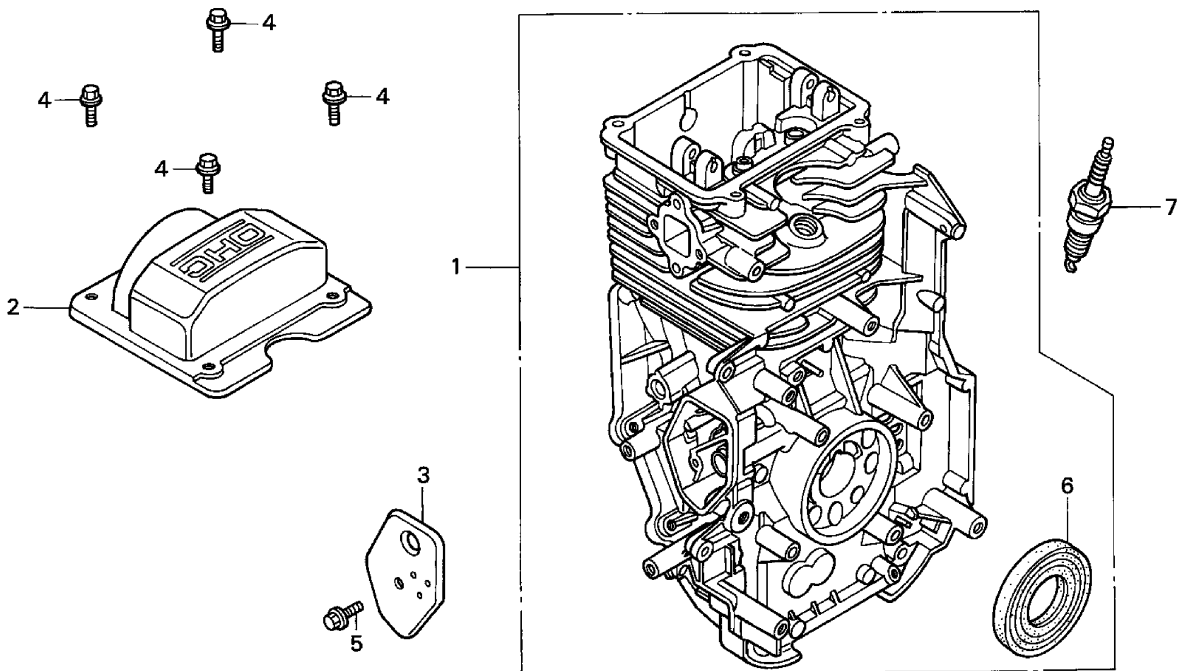
Ref.	Part Number	Description
1.	684-04168	Idler Pulley Assembly
2.	710-0151	Hex Head Screw, $\frac{3}{8}$ -24 x 2.00
3.	710-0170	Hex Head Screw, $\frac{5}{16}$ -24 x .625
4.	710-0502A	Hex L-Washer TT-Tap, $\frac{3}{8}$ -16 x 1.25"
5.	710-0599	Self Tapping Screw, $\frac{1}{4}$ -20 x .500
6.	710-0606	Hex Head Screw, $\frac{1}{4}$ -20 x 1.50
7.	710-0896	Self Tapping Screw, $\frac{1}{4}$ -14 x .625
8.	710-1880	Hex Head Screw, $\frac{5}{16}$ -18 x .75, Patch
9.	712-04064	Nylon Hex Lock Nut, $\frac{1}{4}$ -20
10.	712-0700	Nut, 9/16-18, Flange Lock
11.	718-04407	Hub, $\frac{5}{8}$ Spline
12.	732-04085	Extension Spring, .480 OD X 5.00 LG
13.	736-0173	Washer, .28 x .74 x .063
14.	736-0315	Washer, Flat, .760 x 1.50 x .120
15.	936-0452	Bell Washer, .396 x 1.140 x .095
16.	736-3092	Flat Washer, .265 x 1.0 x .030
17.	738-04425	Shoulder Screw, .342 x .335 $\frac{1}{4}$ -28
18.	748-04087A	Pivot Idler Spacer
19.	750-04571	Shoulder Spacer, .260 x .785 x .538
20.	954-04090	V-Belt, 4L x 25.375 Long
21.	756-04198A	Engine Pulley
22.	756-04355	Transmission Pulley
23.	756-0625	Cable Roller
24.	786-04312	Idler Bracket, Forward
25.	786-04343	Cover Plate
26.	786-04357	Pulley Bracket
27.	786-04371	Pulley Shield
28.	786-04418A	Mounting Frame, RH
29.	786-04419B	Mounting Frame, LH
30.	934-05049	Wheel Assembly, 11 x 4 x 4
	934-0255	Valve, Tubeless Air
	734-04354	Tire, 11 x 4 x 4
31.	714-0143A	Klik Pin
32.	642-05003	Tine Assembly, LH
33.	642-05004	Tine Assembly, RH
34.	911-0415	Clevis Pin, .375 x 1.75
35.	714-04043	Cotter Pin, Bow Tie

Model Series 620



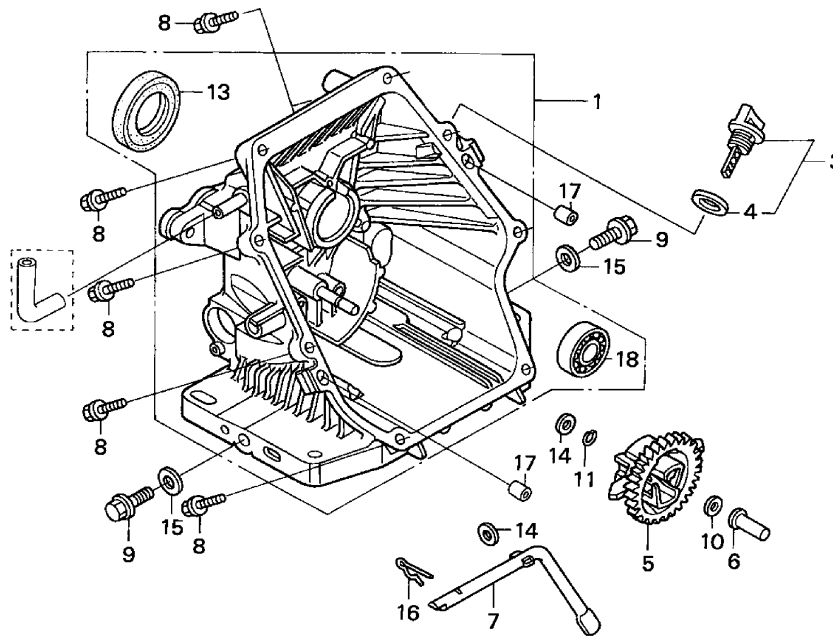
Ref.	Part Number	Description
	918-04934	Transmission Assembly
1.	919-04202B	Housing, Transmission
2.	710-3008	Hex Screw, 5/16-18, .75, Gr5
3.	911-04844	Shaft, Tiller
4.	911-04854	Shaft, Wheel
5.	711-05035	Shaft, Worm
6.	714-04059	Key, Hi Pro .25 x 1.062
7.	716-0204	Retaining Ring
8.	716-04102	Retaining Ring, Int
9.	917-04380	Worm Gear, 61t, RH
10.	917-04381	Worm Gear, 30t, LH
11.	918-04435	Bearing Cover
12.	921-04030	Seal, Oil, .750 Shaft x 1.783 Bore
13.	921-04229	Gasket, Gear Housing
14.	721-04232	Seal, Oil, 1.00 Shaft x 2.00 Bore
15.	721-04271	Rubber Plug, Oil
16.	732-0614	Wire Ring
17.	736-04305	Washer, Flat, 1.50 x 1.75 x .062
—	736-04306	Washer, Flat, 1.50 x 1.75 x .005
—	736-04307	Washer, Flat, 1.50 x 1.75 x .03
—	736-04308	Washer, Flat, 1.50 x 1.75 x .010
18.	736-0745	Washer, Flat, 1.010 x 1.56 x .060
19.	941-04298	Cone Bearing
20.	941-04299	Bearing Cup
21.	741-3114	Ball Bearing
22.	786-04366	Cover, Transmission
23.	786-04392	Cover, Transmission

Honda GC190LA Cylinder



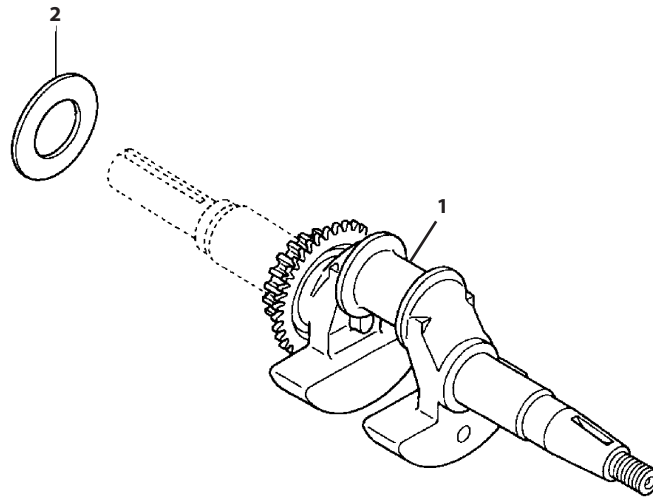
Ref.	Part Number	Description
1.	12000-Z1A-0000	Cylinder Assembly
2.	12310-Z0J-000	Head Cover
3.	12355-ZL8-000	Breather Cover
4.	90013-883-000	Flange Bolt, 6 X 12
5.	90014-952-000	Flange Bolt, 6 X 14
6.	91201-ZL8-003	Oil Seal, 25.4 X 62 X 6
7.	98079-56846	Spark Plug (BPR6ES NGK)

Honda GC190LA Crankcase Cover



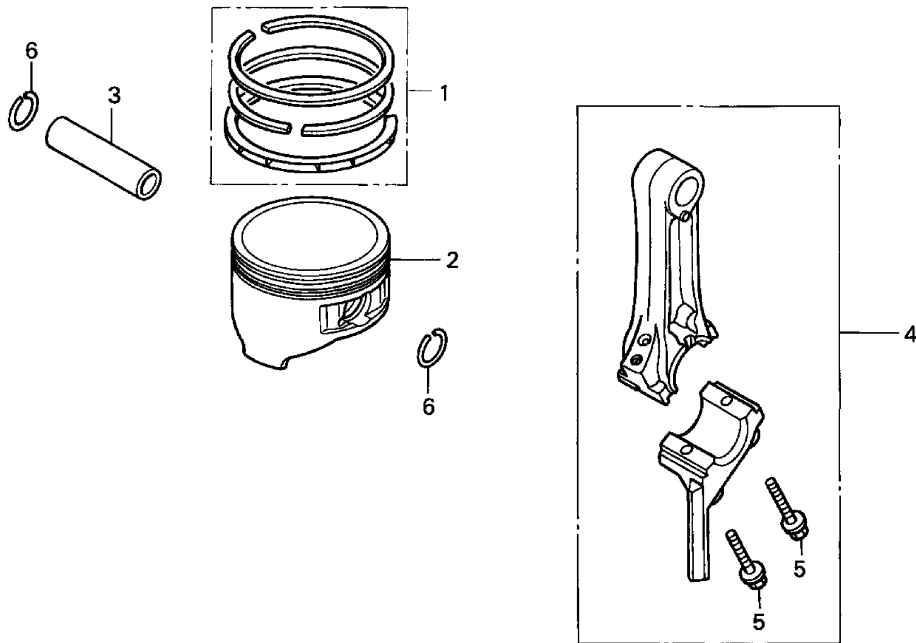
Ref.	Part Number	Description
1.	11300-Z1A-600	Crankcase Cover Assembly
3.	15600-ZF0-003	Oil Filler Cap Assembly
4.	15625-ZE1-003	Oil Filler Cap Gasket
5.	16510-ZL8-000	Governor Assembly
6.	16531-ZE1-000	Governor Slider
7.	16541-ZL8-000	Governor Arm Shaft
8.	90121-952-000	Flange Bolt, 6 x 25
9.	90131-896-650	Drain Plug Bolt
10.	90451-ZE1-000	Thrust Washer, 6mm
11.	90602-ZE1-000	Governor Holder Clip
13.	91202-ZL8-003	Oil Seal, 28 x 41.25 x 6
14.	94101-06800	Plain Washer, 6mm
15.	94109-12000	Drain Plug Washer, 12mm
16.	94251-08000	Lock Pin, 8mm
17.	94301-08200	Dowel Pin, 8 x 20

Honda GC190LA Crankshaft



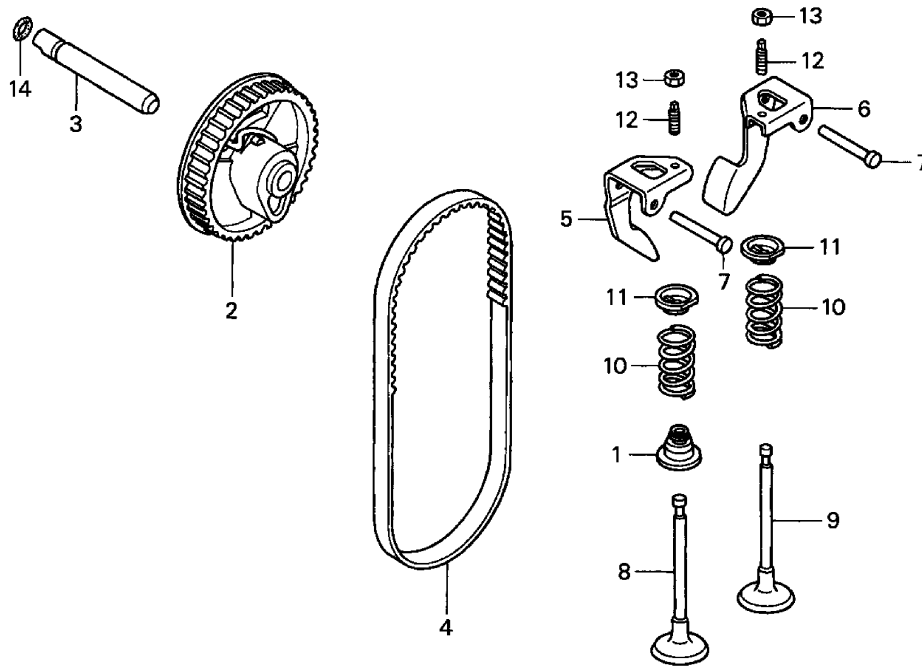
Ref.	Part Number	Description
1.	13310-Z1A-660	Crankshaft
2.	90402-ZL8-000	Thrust Washer

Honda GC190LA Piston



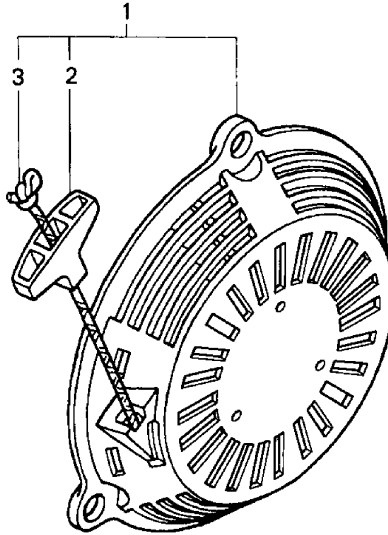
Ref.	Part Number	Description
1.	13010-Z0Y-014	Piston Ring Set (Teikoku)
2.	13101-Z0Y-010	Piston
3.	13111-Z0Y-000	Piston Pin
4.	13200-Z0Y-010	Connecting Rod Assembly
5.	90001-ZE1-000	Connecting Rod Bolt
6.	90551-ZE0-000	Piston Pin Clip, 13mm

Honda GC190LA Camshaft



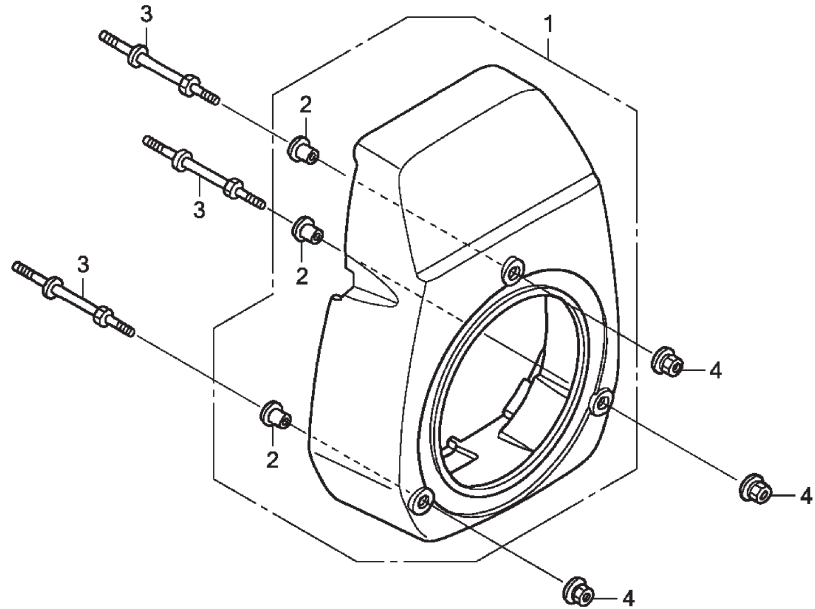
Ref.	Part Number	Description
1.	12209-ZM0-003	Valve Stem Seal
2.	14320-Z0Y-000	Cam Pulley
3.	14324-ZL8-000	Cam Pulley Shaft
4.	14400-Z0J-014	Timing Belt, 84HU& G-200
5.	14431-Z0J-000	Internal Valve Rocker Arm
6.	14441-Z0J-000	External Valve Rocker Arm
7.	14461-ZL8-000	Rocker Arm Shaft
8.	14711-Z0J-000	Internal Valve
—	14711-Z0J-000	Internal Valve
9.	14721-ZL8-000	External Valve
10.	14751-ZL8-000	Valve Spring
11.	14771-Z0J-000	Internal Valve Spring Retainer
12.	90012-333-000	Tappet Adjustable Screw
13.	90206-001-000	Tappett Adjustble Nut
14.	91301-ZM0-V31	O-Ring, 6.8 x 1.9

Honda GC190LA Recoil Starter



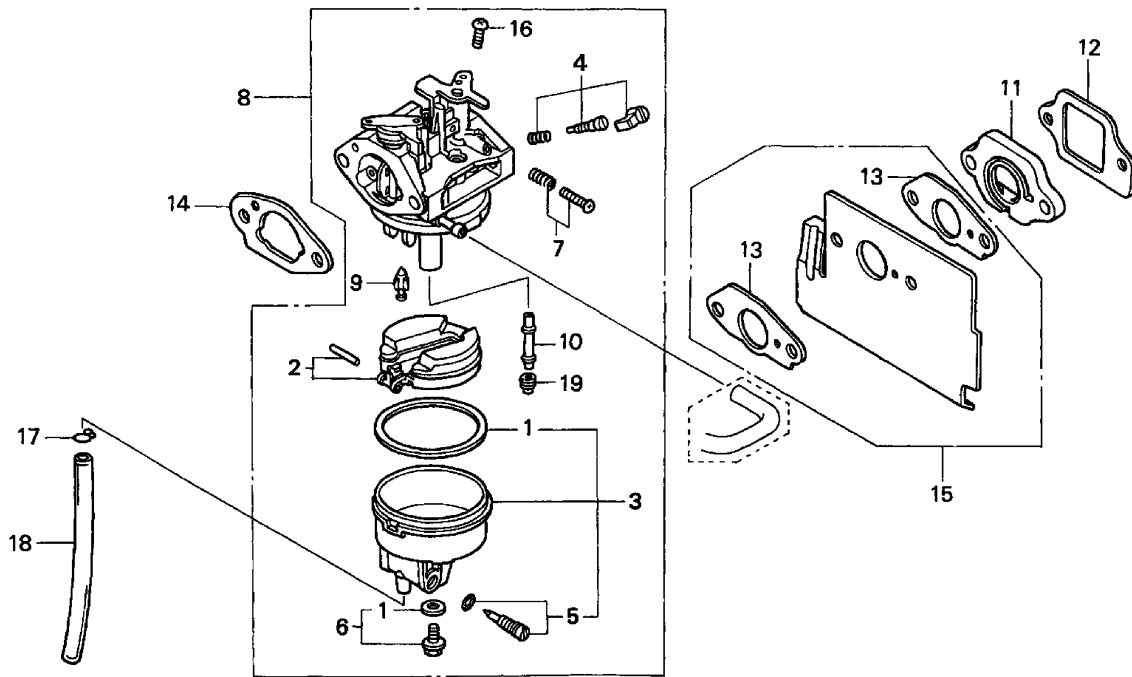
Ref.	Part Number	Description
1.	28400-Z1A-013ZA	Recoil Starter Assembly
2.	28461-ZL8-003	Recoil Starter Knob
3.	28462-ZL8-003	Recoil Starter Rope, #3.5 x 52"

Honda GC190LA Fan Cover



Ref.	Part Number	Description
1.	19611-Z1A-000ZA	Fan Cover
2.	19619-ZL8-300	Fan Cover Collar
3.	90043-ZL8-000	Stud Bolt
4.	90201-ZM0-000	Flange Nut, 6mm

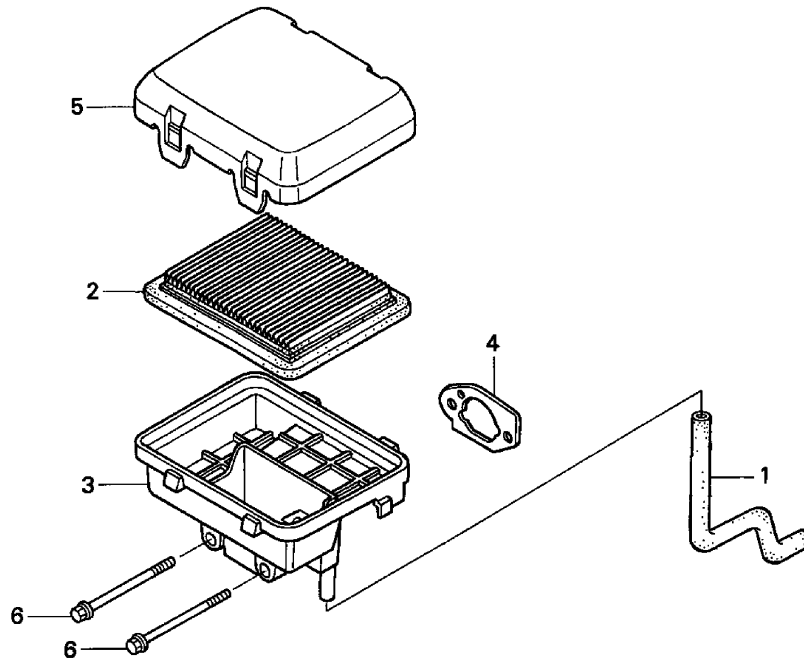
Honda GC190LA Carburetor



Ref.	Part Number	Description
1.	16010-883-015	Gasket Set
2.	16013-ZL1-003	Float Set
3.	16015-ZL8-003	Float Chamber Set
4.	16016-Z1A-003	Screw Set
5.	16024-124-760	Drain Screw Set
6.	16028-ZK7-591	Screw Set
7.	16029-ZG0-901	Screw Set
8.	16100-Z1A-801	Carburetor Assembly, BB61K A
9.	16155-ZL8-013	Float Valve
10.	16166-Z1A-003	Main Nozzle
11.	16211-ZL8-000	Carburetor Insulator

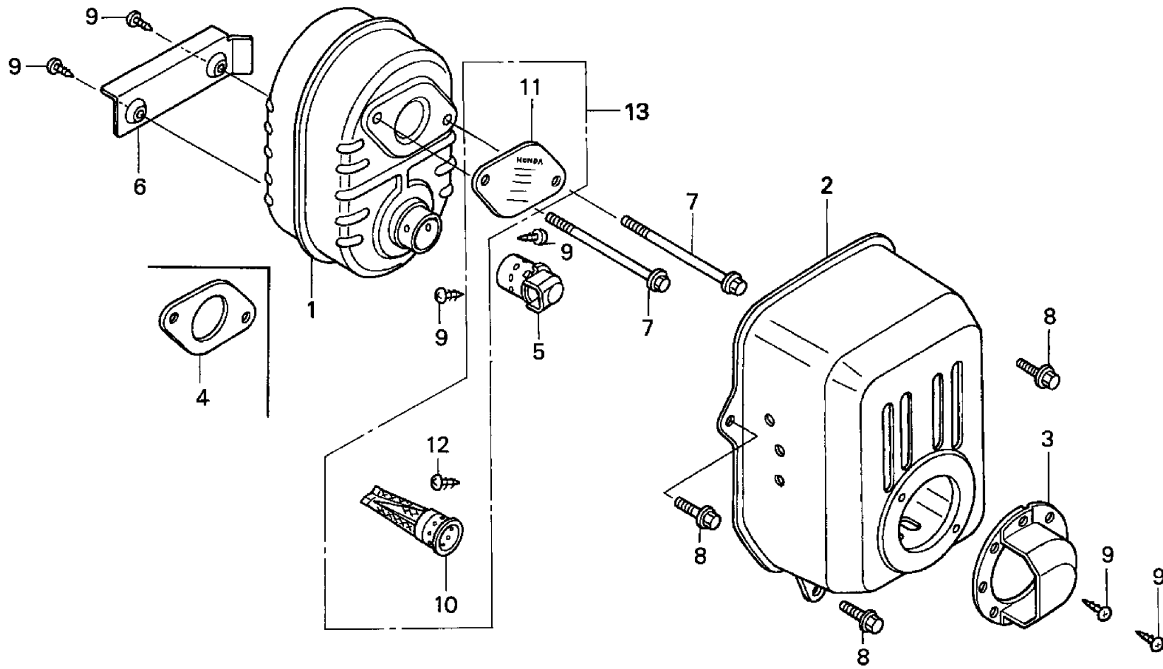
Ref.	Part Number	Description
12.	16212-ZL8-000	Insulator Gasket
13.	16221-887-800	Carburetor Gasket
14.	16228-ZL8-000	Carburetor Gasket (Choke Side)
15.	19650-ZL8-000	Air Guide
16.	93500-05006-1H	Pan Screw, 5 x 6
17.	95002-02650	Tube Clip, B6.5
18.	95003-07008-60M	Vinyl Bulk Hose (4X7X8000, 4X7X150)
19.	99101-124-0620	Main Jet, #62
—	99101-124-0650	Main Jet, #65
—	99101-124-0680	Main Jet, #68

Honda GC190LA Air Filter



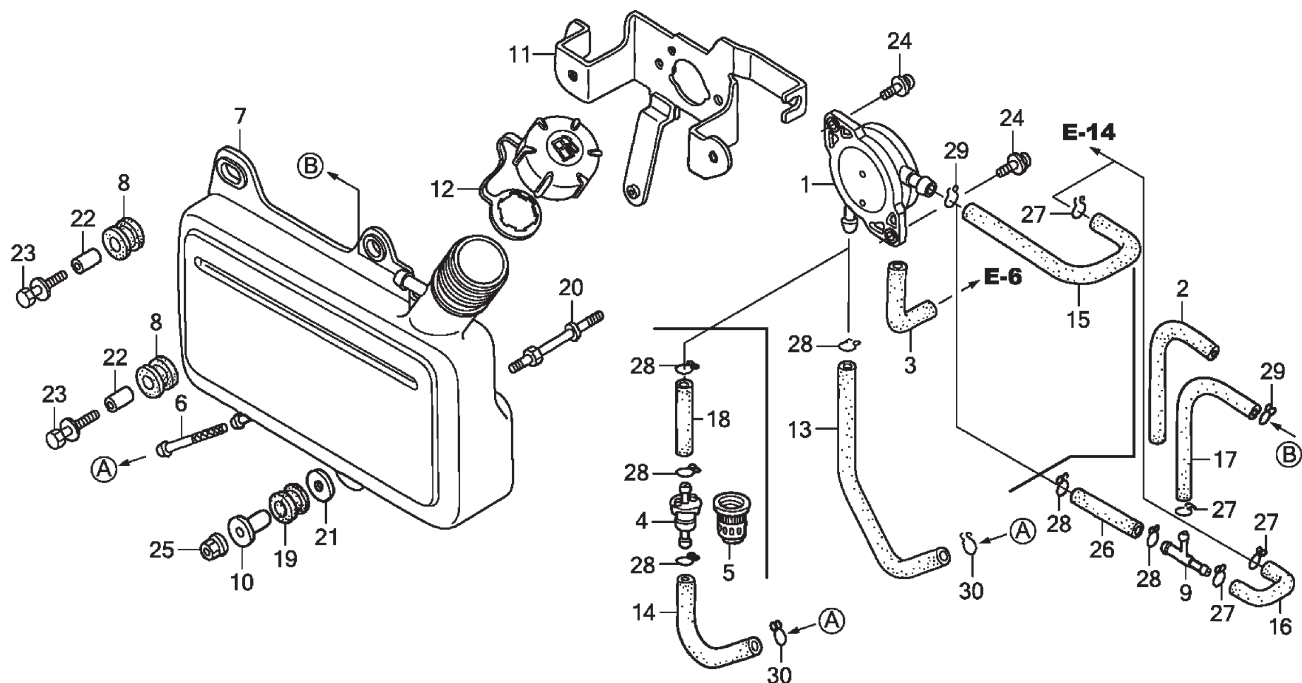
Ref.	Part Number	Description
1.	15721-ZL8-000	Breather Tube
2.	17211-ZL8-023	Air Cleaner Element
3.	17220-ZL8-000	Air Cleaner Housing
4.	17228-ZL8-000	Air Cleaner Gasket
5.	17231-Z0J-020	Air Cleaner Cover
6.	90003-ZL8-000	Flange Bolt, 6 x 112

Honda GC190LA Muffler



Ref.	Part Number	Description
1.	18310-Z0Y-000	Muffler
2.	18321-Z0L-000	Muffler Protector
4.	18381-ZL8-305	Muffler Gasket
7.	90004-ZL8-000	Flange Bolt, 6 x 79
8.	90013-883-000	Flange Bolt, 6 x 12
10.	18350-ZL8-000	Spark Arrester
11.	18356-ZL8-000	Arrester Number Plate
12.	90055-ZE1-000	Tapping Screw, 4 x 6
13.	06180-Z0J-000	Spark Arrester Kit

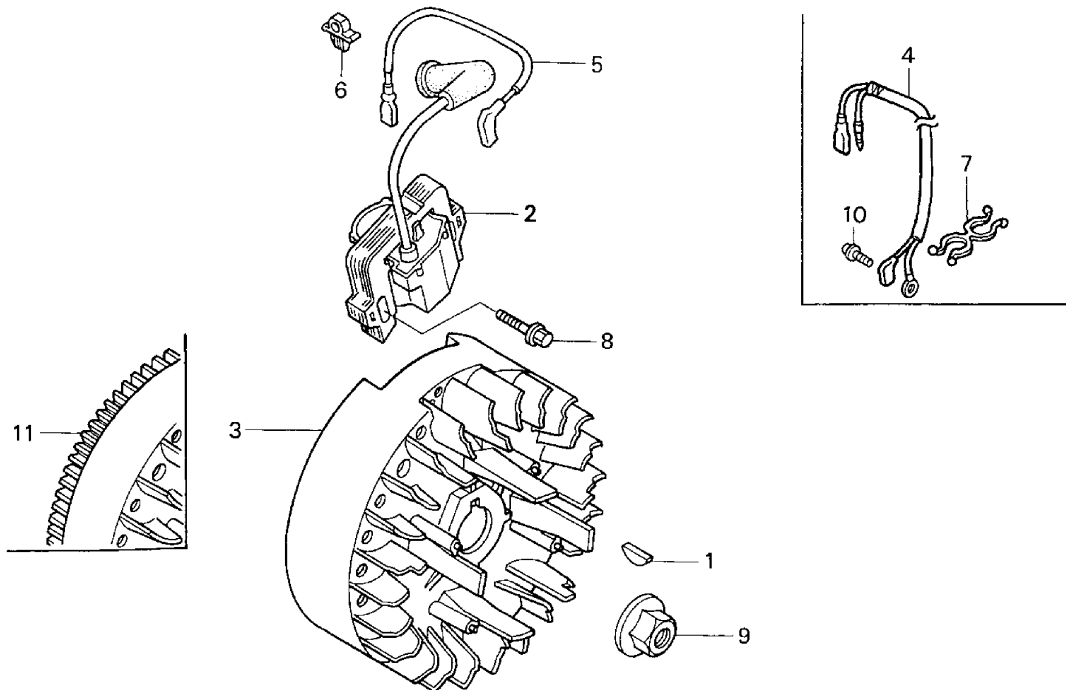
Honda GC190LA Fuel System



Ref.	Part Number	Description
1.	16700-Z0J-003	Fuel Pump Assembly
2.	16854-ZH8-000	Supporter Rubber, 107mm
3.	16882-ZL8-000	Tube, Diaphragm
4.	16910-ZV4-015	Fuel Strainer
5.	16915-ZV4-000	Strainer, Suspension
6.	17511-Z0J-800	Fuel Tank
7.	17516-ZV0-000	Tank Mounting Rubber, B
8.	17519-ZL8-800	Fuel Tube
9.	17535-KE7-000	Collar
10.	17561-Z0J-000	Stay A, Fuel Tank
11.	17620-Z0J-800	Fuel Cap Assembly
12.	17701-ZL8-800	Fuel Tank Tube
13.	17702-ZL8-800	Fuel Tube
14.	17703-ZL8-800	Fuel Return Tube

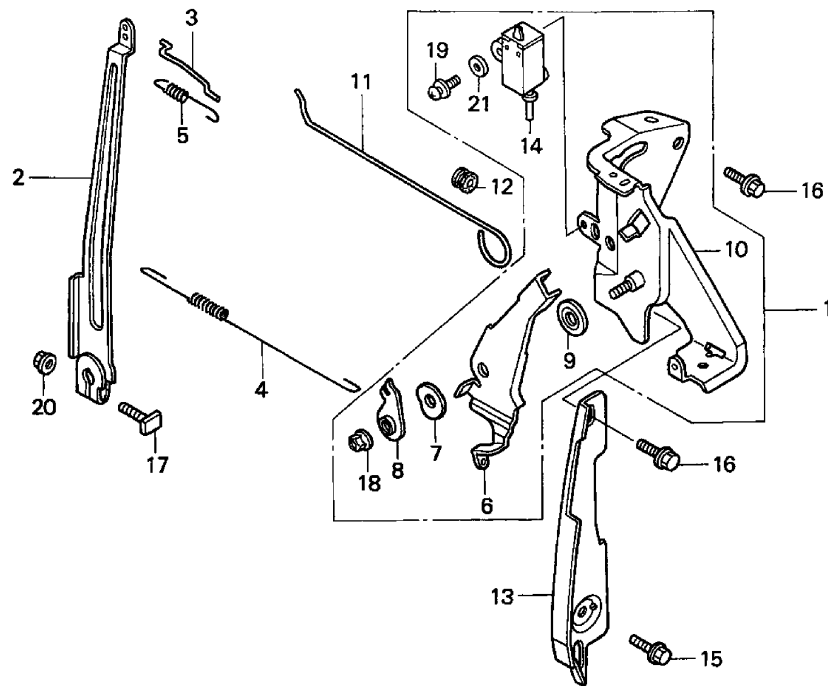
Ref.	Part Number	Description
15.	17704-ZL8-800	Fuel Pump Tube
16.	80103-MG2-000	Rear Fender Cushion
17.	90041-ZL8-000	Fuel Tank Stud Bolt, 30mm
18.	90473-896-000	Washer, 6Mm
19.	90501-KA2-640	Collar, 14 X 6.1
20.	93404-06025-00	Bolt-Washer, 6 X 25
21.	93894-05014-00	Screw-Washer, 5 X 14
22.	94050-06000	Nut, Flange, 6mm
23.	95001-55033-40	Fuel Tube, 5.3 X 33
24.	95002-02080	Tube Clip, B8
25.	95002-02100	Tube Clip, B10
26.	95002-50000	Tube Clip, C9
27.	95002-70000	Tube Clip, C11

Honda GC190LA Flywheel



Ref.	Part Number	Description
1.	13331-357-000	Special Woodruff Key, 25 x 18
2.	30500-Z0J-003	Ignition Coil Assembly
3.	31110-Z0J-013	Flywheel
5.	32195-Z0J-000	Stop Switch Wire
6.	36103-ZE1-000	Stop Switch Wire Holder
	51125-Z0L-003	Stop Switch Wire Holder
8.	90022-888-010	Flange Bolt, 6 x 20
9.	90213-S3Y-000	Flange Nut, 14mm

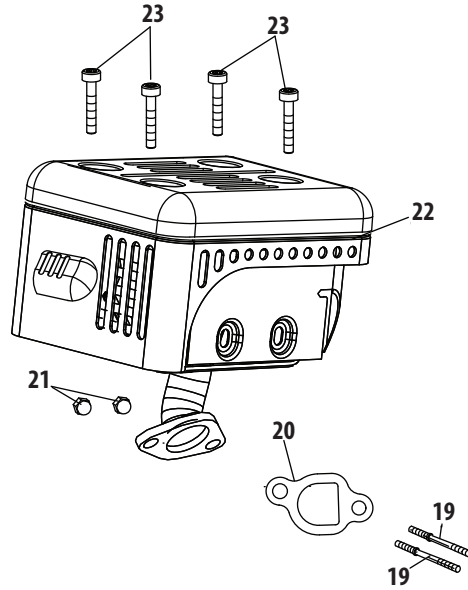
Honda GC190LA Controls



Ref.	Part Number	Description
1.	16500-ZL8-000	Control Assembly
2.	16551-ZL8-010	Governor Arm
3.	16555-ZL8-000	Governor Rod
4.	16561-ZOJ-000	Governor Spring
5.	16562-ZL8-800	Throttle Return Spring
6.	16571-ZL8-000	Control Lever
7.	16574-ZE1-000	Lever Spring
8.	16575-ZL8-000	Control Lever Washer
9.	16578-ZE1-000	Control Lever Spacer
10.	16500-ZL8-000	Control Base
11.	16611-ZL8-000	Choke Control Rod

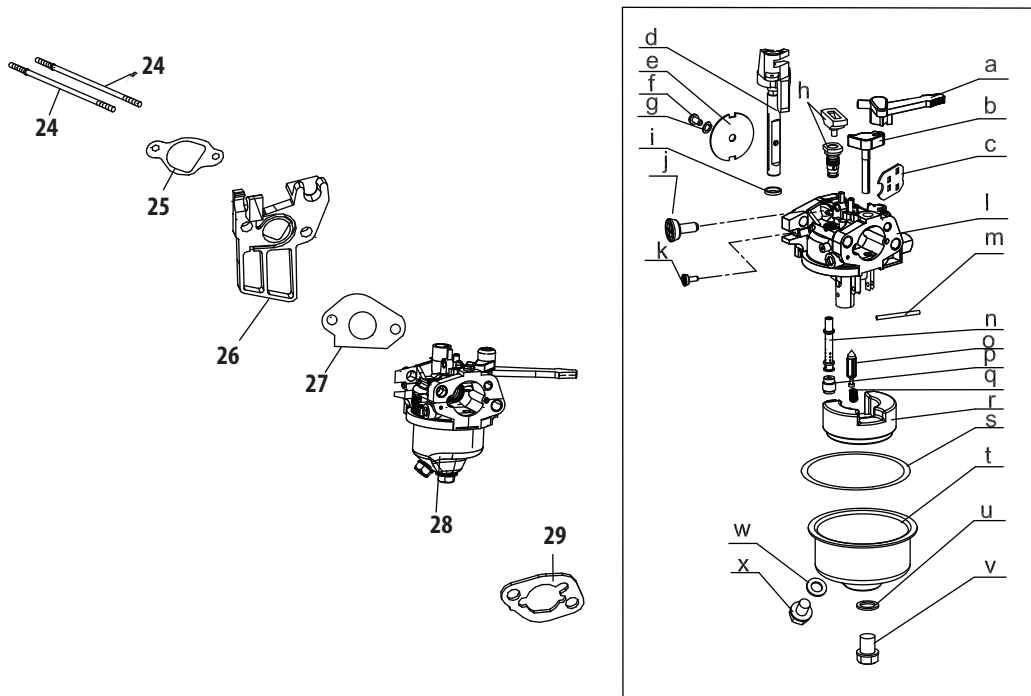
Ref.	Part Number	Description
12.	16613-893-000	Choke Rod Grommet
13.	19612-ZOL-000	Side Plate
14.	35120-ZL8-003	Engine Stop Switch Assembly
15.	90013-883-000	Flange Bolt, 6 x 12
16.	90014-952-000	Flange Bolt, 6 x 14
17.	90015-ZE5-010	Governor Arm Bolt
18.	90114-SA0-000	Self-lock Nut, 6mm
19.	93892-04012-00	Screw-Washer, 4 x 12
20.	94050-06000	Flange Nut, 6mm
21.	94103-04000	Plain Washer, 4mm

270-V0 Muffler



Ref.	Part Number	Description
19	710-04911	Muffler Stud M8×36
19	951-12027	Muffler Stud Assembly
20	951-11285	Muffler Gasket
21	712-04214	Nut,M8
22	951-12294	Muffler Assembly
23	710-05002	Bolt

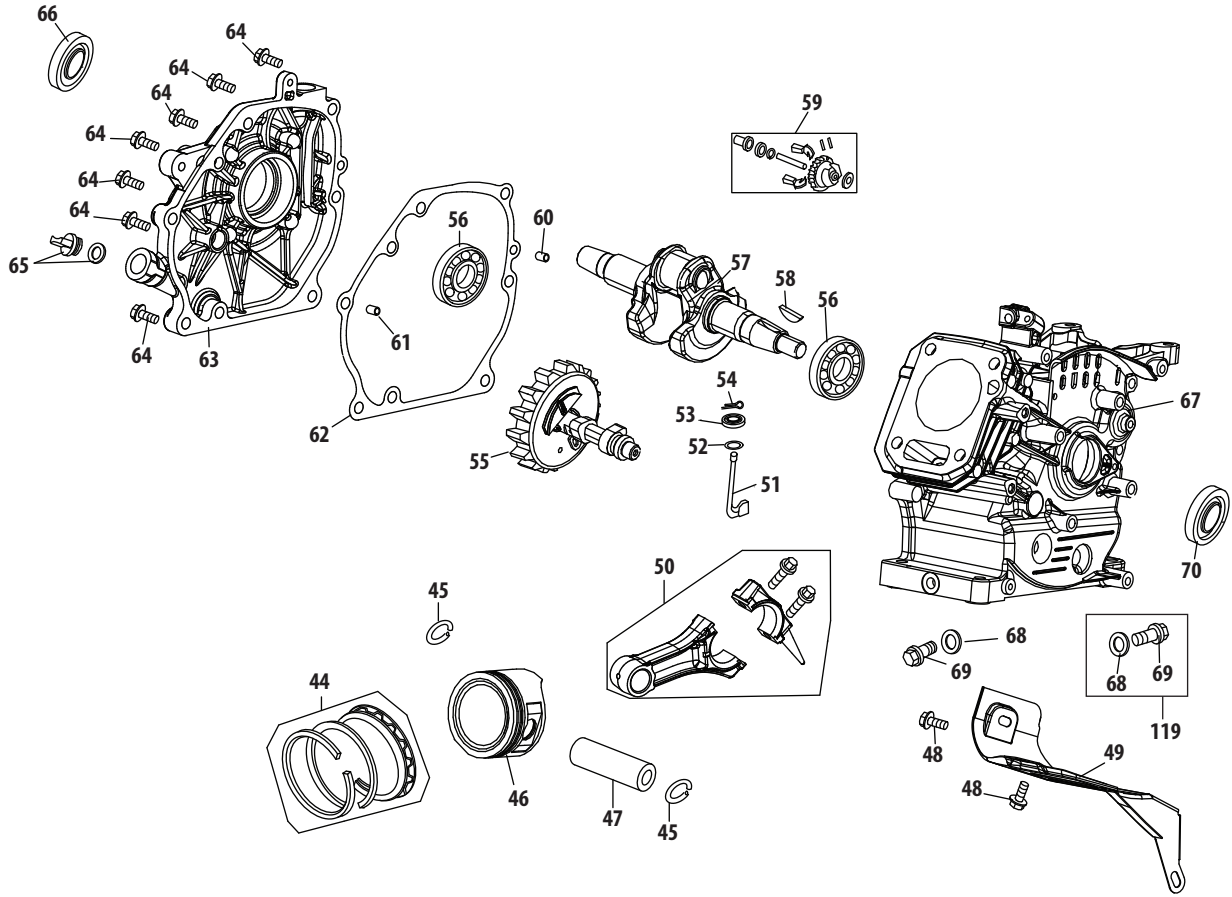
270-V0 Carburetor Assembly



Ref.	Part Number	Description
24	710-05101	Carburetor Stud M6x110
25	951-11567	Carburetor Insulator Gskt
26	951-11568	Carburetor Insulator Plate
27	951-11569	Carburetor Gasket
28	951-10797	Carburetor Assembly
29	951-11571	Carburetor Gasket Plate
a	N/A	Control Lever,Choke
b	N/A	Choke Shaft
c	N/A	Choke Plate
d	N/A	Throttle Shaft
e	N/A	Throttle Plate
f	N/A	Screw M3x5
g	N/A	Lock Washer
h	N/A	Idle Jet Assembly
i	N/A	Gasket, Throttle Plate
j	N/A	Idle Speed Adjusting Screw

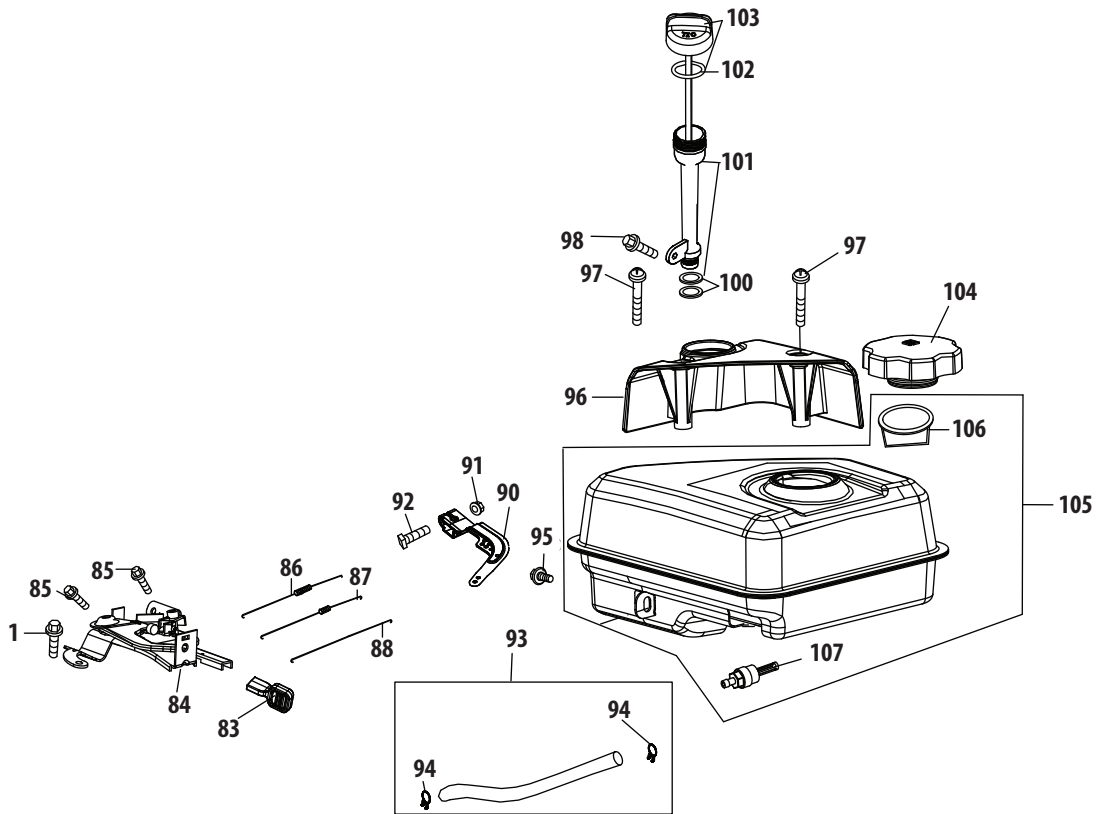
Ref.	Part Number	Description
k	N/A	Mixture Screw
l	N/A	Carburetor Body
m	N/A	Float Pin
n	N/A	Emulsion Tube
o	N/A	Needle Valve
p	N/A	Main Jet
q	N/A	Needle Valve Spring
r	N/A	Float
s	951-11589	Fuel Bowl Gasket
t	N/A	Fuel Bowl
u	951-11348	Fuel Bowl Gasket
v	710-04945	Fuel Bowl Mounting Bolt
w	951-11349	Fuel Drain Plug Gasket
x	710-04938	Fuel Drain Plug
	951-10800A	Carburetor Kit - Major (Incl. A,H-J,M-S,U,W)

270-V0 Crankcase



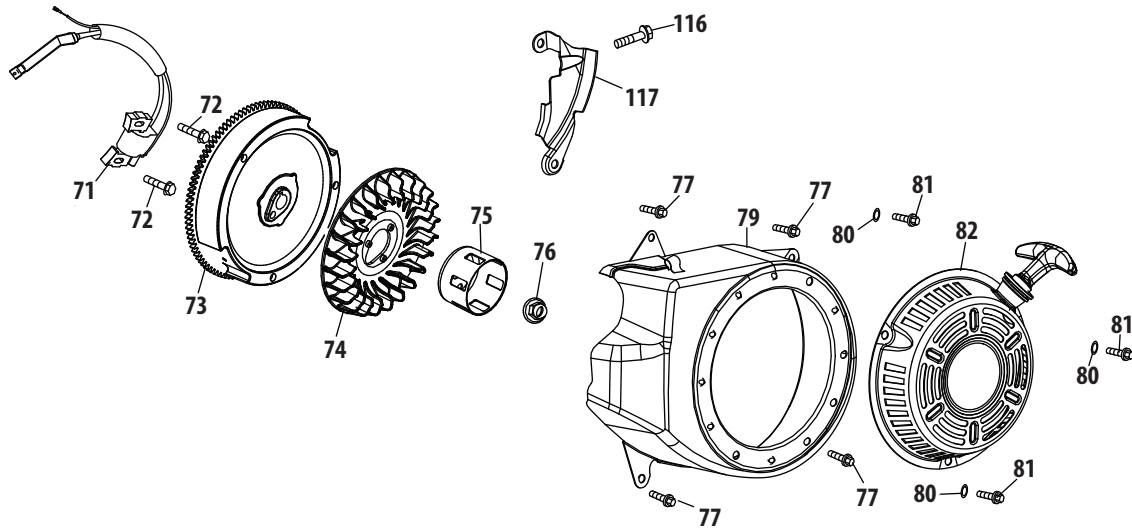
Ref.	Part Number	Description
44	951-11253	Piston Ring Set
45	951-11632	Piston Pin Snap Ring
46	951-12007	Piston
47	951-11633	Piston Pin
48	710-04915	Bolt M6x12
49	951-11113	Air Shield
50	951-11573	Connecting Rod Assembly
51	951-11356	Governor Arm Shaft
52	736-04461	Washer 5.2x1.9
53	951-11574	Governor Seal
54	714-04074	Cotter Pin
55	951-11575	Camshaft Assy.
56	951-11369	Radial Ball Bearing,6205
57	951-12160	Crankshaft Assembly
58	951-10307	Woodruff Key
59	951-11576	Governor Gear/Shaft Asm
60	715-04092	Dowel Pin 7x14
61	715-04089	Dowel Pin 9x14
62	951-11371	Crankcase Cover Gasket
63	951-12125	Cover Comp,Left Crankcase
64	710-04932	Bolt M8x32
65	951-11377	Dipstick Assembly
66	951-11578	Oil Seal,25x41.25x6
67	951-10798A	Short Block (Incl. 4,20,25,26,29,38,40,44-47,50-70)
68	736-04440	Washer 10x16x1.5
69	710-04906	Oil Drain Plug
70	951-12126	Oil Seal 25x41.25x6
119	951-10370	Oil Drain Plug & Washer Assembly
	951-12121	Gasket Kit Complete (Incl. 4,20,25-27,29,38,52,53,62,66,68,70)
	951-12120	Gasket Kit - External (Incl. 2,4,25-27,29,68)

270-V0 Fuel Tank



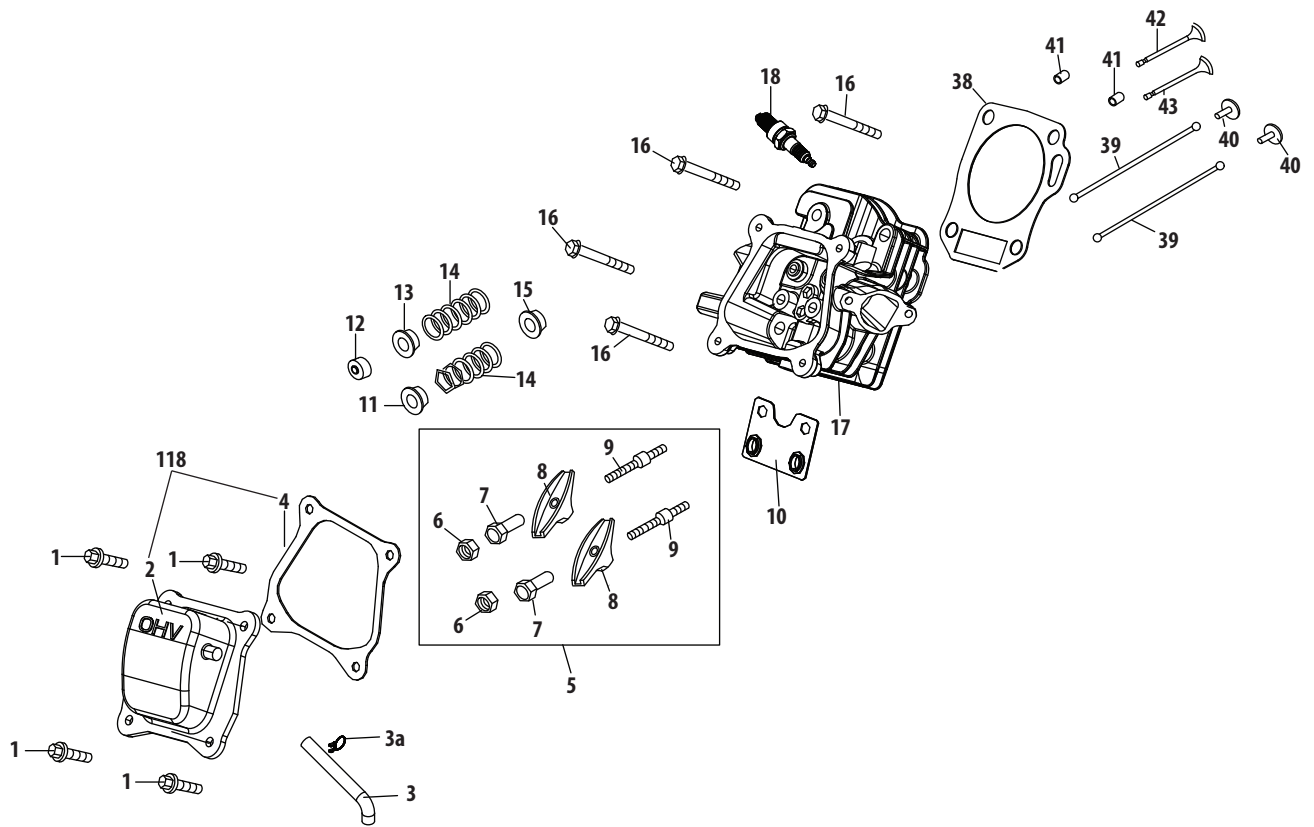
Ref.	Part Number	Description
1	710-04968	Bolt M6×16
83	951-11067	Throttle Control Knob
84	951-12131	Primer Bracket
85	710-04928	Bolt M6×12
86	951-11585	Governor Spring
87	951-10664	Throttle Linkage Spring
88	951-10665	Throttle Linkage
90	951-11106	Governor Arm Bracket
91	712-04212	Nut M6
92	710-04908	Governor Arm Bolt
93	951-10650	Fuel Line Kit
94	951-10650	Fuel Hose Clamp

Ref.	Part Number	Description
95	710-04915	Bolt M6×12
96	951-11914	Dipstick Decoration Cover
97	710-04905	Bolt
98	710-04915	Bolt M6×12
100	951-11381	Oil Fill Tube O-Ring
101	951-11913	Oil Fill Tube Assembly (Incl. 100)
102	951-11904	Dipstick O-Ring
103	951-11912	Dipstick Assembly (Incl. 102)
104	951-10917A	Fuel Cap Assembly
105	951-10653B	Fuel Tank Assembly
106	951-11933	Fuel Filter
107	951-10651	Fuel Tank Nipple



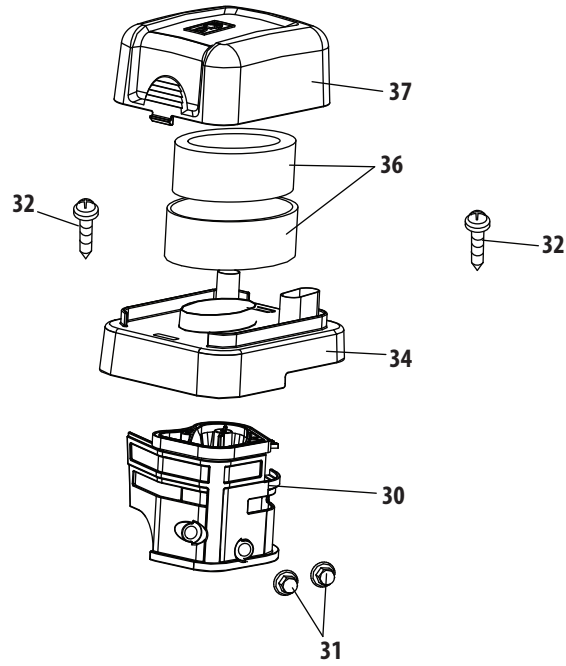
Ref.	Part Number	Description
71	951-10792	Ignition Coil Assembly
72	710-04919	Bolt M6x25
73	951-12416	Flywheel
74	951-10909	Fan, Cooling
75	951-10911	Pulley, Starter
76	712-04209	Nut, Special, M14x1.5
77	710-04915	Bolt M6x12
79	951-12417	Blower Housing
80	736-04455	Flat Washer
81	710-04974	Bolt M6x10
82	951-12418	Recoil Starter Assembly
116	710-04979	Bolt M6x18
117	951-11109	Blower Housing Shield

270-V0 Cylinder Head

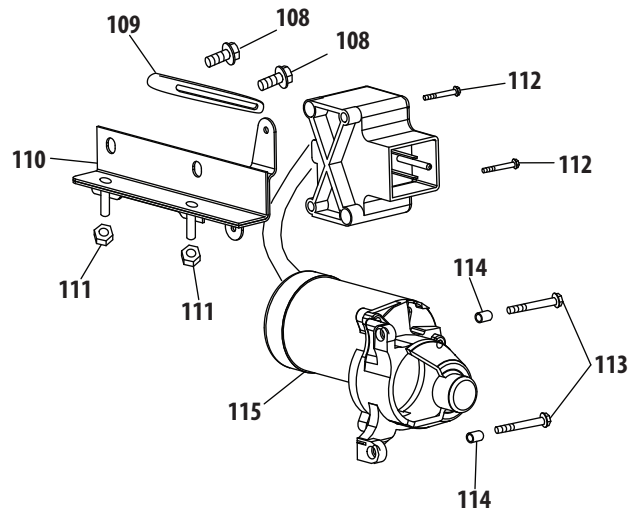


Ref.	Part Number	Description
1	710-04968	Bolt M6x16
2	951-11054	Valve Cover
3	731-07059	Breather Hose
3a	726-04101	Hose Clamp
4	951-11565	Valve Cover Gasket
5	951-11892	Rocker Arm Assembly
6	751-11124	Nut,Pivot Locking
7	751-11123	Adjusting Nut ,Valve
8	951-11893	Rocker Arm
9	710-04902	Bolt,Pivot
10	951-11895	Push Rod Guide
11	951-12000	Retainer,In.Valve Spring
12	951-12002	Adjuster,Exh Valve
13	951-12003	Retainer,Ex.Valve Spring
14	951-12004	Valve Spring
15	951-11894	Intake Valve Seal
16	710-04933	Bolt M8x55
17	951-10799	Cylinder Head Assembly (Incl. 4,6-10,12-17,20,25,26,38,41-43)
18	951-10292	Spark Plug
38	951-11572	Gasket,Cylinder Head
39	951-10648	Push Rod Kit
40	951-11899	Tappet
41	715-04090	Dowel Pin 10x16
42	951-10647A	Valve Kit
43	951-10647A	Valve Kit
118	951-11063	Valve Cover Kit
	951-10819	Cylinder Head Service Kit (Incl. 4,15,16,38)
	951-12120	Gasket Kit - - External (Incl. 2,4,25-27,29,68)
	951-12121	Gasket Kit Complete (Incl. 4,20,25-27,29,38,52,53, 62,66,68,70)

270-V0 Air Cleaner

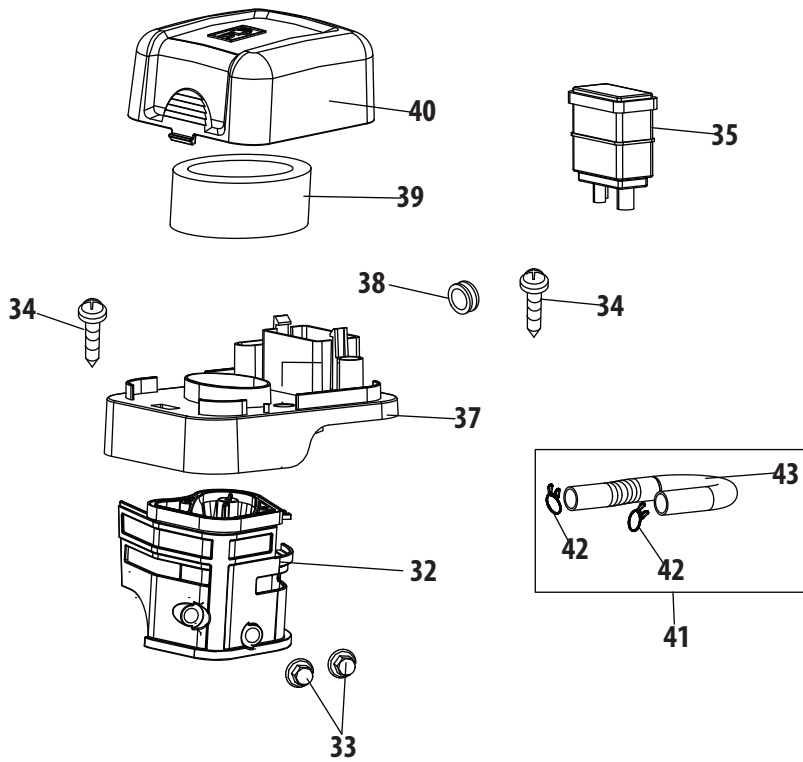


Ref.	Part Number	Description
30	951-10806	Air Cleaner Housing
31	712-04213	Nut
32	710-05102	Self-Tapping Bolt M4.2x16
34	951-12135	Silencer Plate
36	951-10794	Air Cleaner Filter Assembly
37	951-12136	Air Cleaner Cover

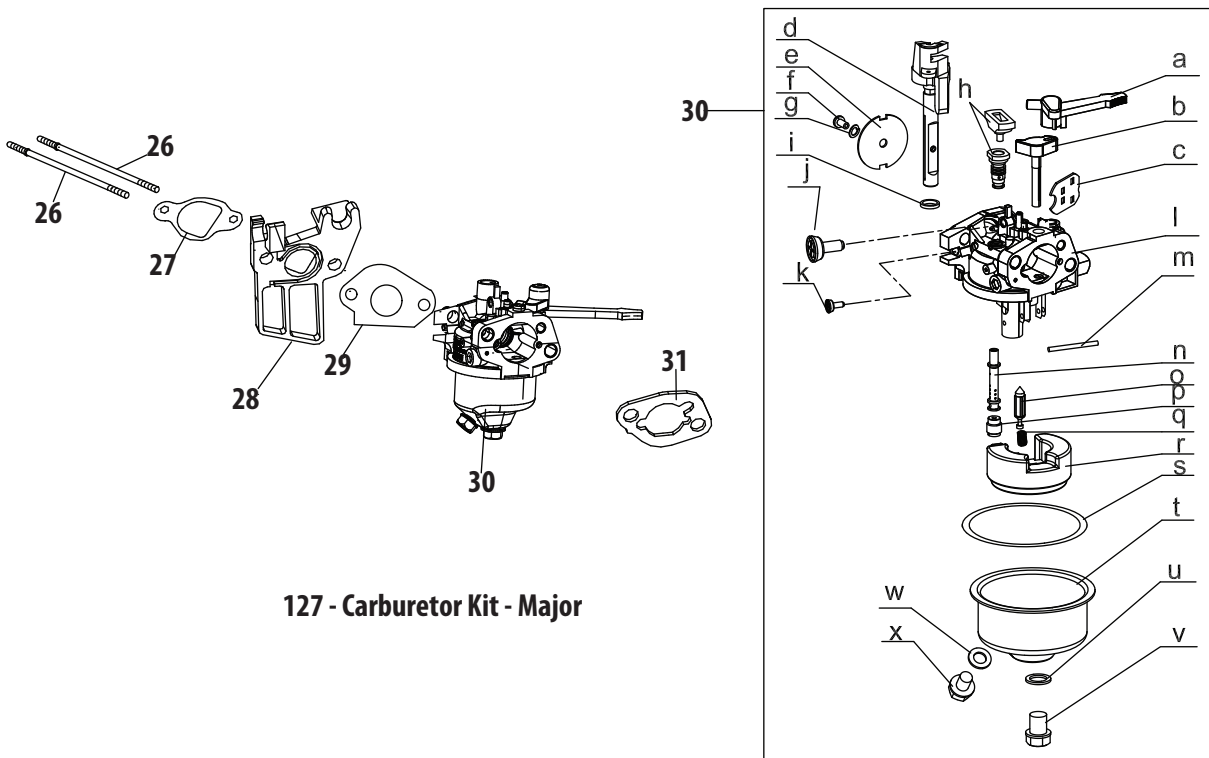


Ref.	Part Number	Description
108	710-04914	Bolt M6×10
109	951-11680	Flexible Clamp
110	951-11114	Switch Housing Mounting Brkt
111	712-04212	Nut,M6
112	710-04965	Bolt M4×55
113	710-05182	Bolt M6×32
114	715-04088	Dowel Pin 8×8
115	951-10645A	Startup Electromotor

170-TU Air Cleaner



Ref.	Part Number	Description
32	951-10806	Air Cleaner Housing
33	712-04213	Nut
34	951-14068	Self-Tapping Bolt M4.2×16
35	951-14069	Carbon Canister
37	951-14070	Silencer Plate
38	750-05314	Rubber Shock Pad
39	951-10794	Air Filter Assembly
40	951-14071	Air Filter Cover
41	951-14072	Primer Hose
42	951-14073	Clamp
43	951-14074	Exhaust Piping

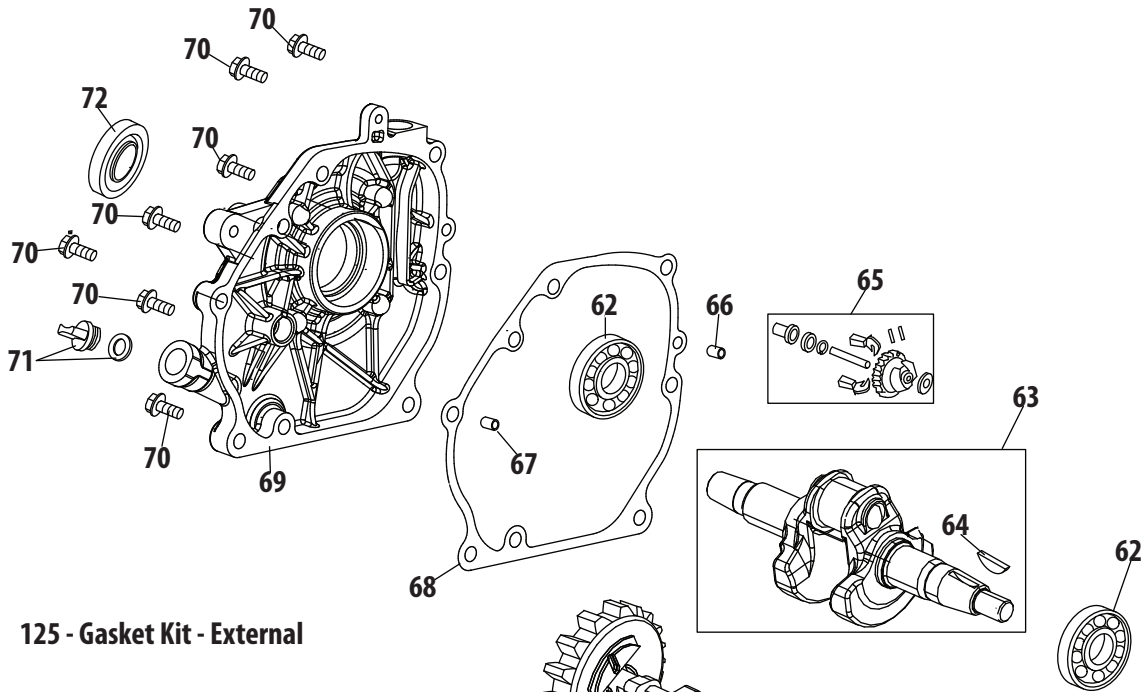


127 - Carburetor Kit - Major

Ref.	Part Number	Description
26	710-05101	Stud M6×110
27	951-11567	Carburetor Insulator Gasket
28	951-11568	Carburetor Insulator
29	951-11569A	Carburetor Gasket
30	951-12124	Carburetor Assembly
31	951-11571	Carburetor Gasket Plate
127	951-12119A	Carburetor Kit - Major

Ref.	Part Number	Description
a	951-11177	Control Lever,Choke
b	n/a	Choke Shaft
c	n/a	Choke Plate
d	n/a	Throttle Shaft
e	n/a	Throttle Plate
f	n/a	Screw M3×5
g	736-04638	Lock Washer
h	n/a	Idle Jet Assembly
i	n/a	Gasket, Throttle Plate
j	n/a	Idle Speed Adjusting Screw
k	n/a	Mixture Screw
l	n/a	Carburetor Body
m	n/a	Float Pin
n	n/a	Emulsion Tube
o	n/a	Needle Valve
p	n/a	Main Jet
q	n/a	Needle Valve Spring
r	n/a	Float
s	951-11589	Fuel Bowl Gasket
t	n/a	Fuel Bowl
u	951-11348	Fuel Bowl Gasket
v	710-04945	Fuel Bowl Mounting Bolt
w	951-11349	Fuel Drain Plug Gasket
x	710-04938	Fuel Drain Plug

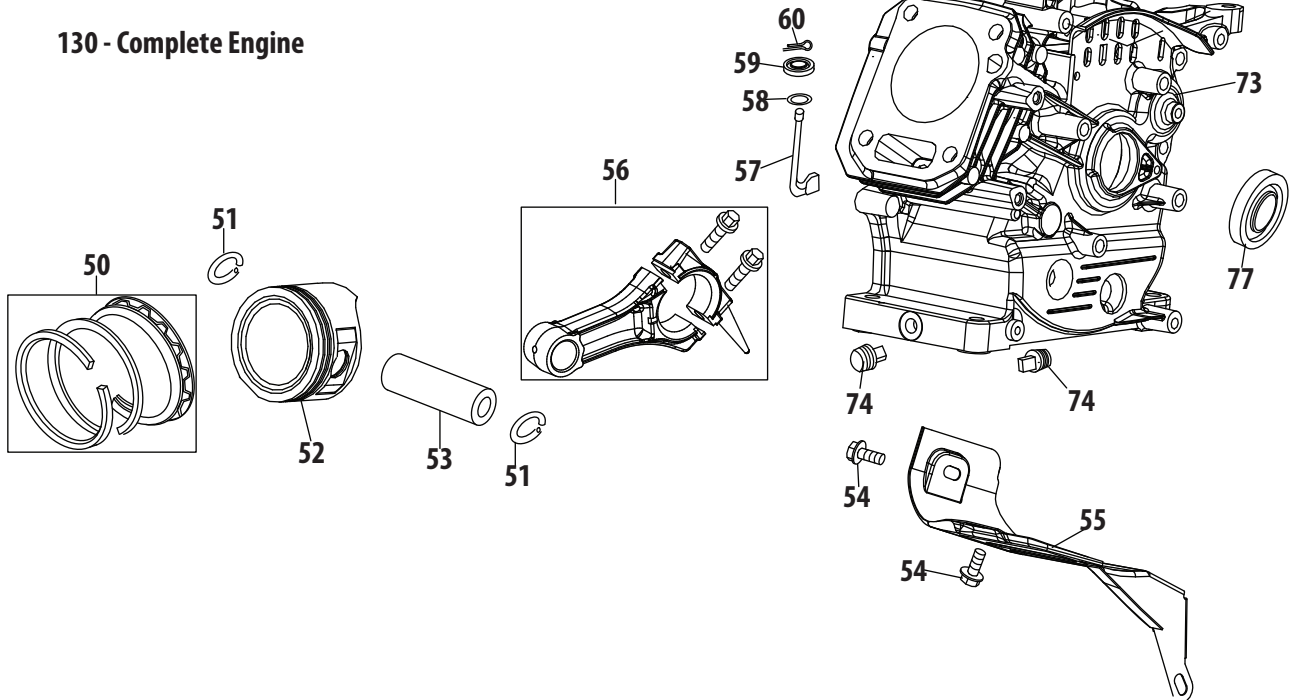
170-TU Crankshaft & Crankcase



125 - Gasket Kit - External

126 - Gasket Kit - Complete

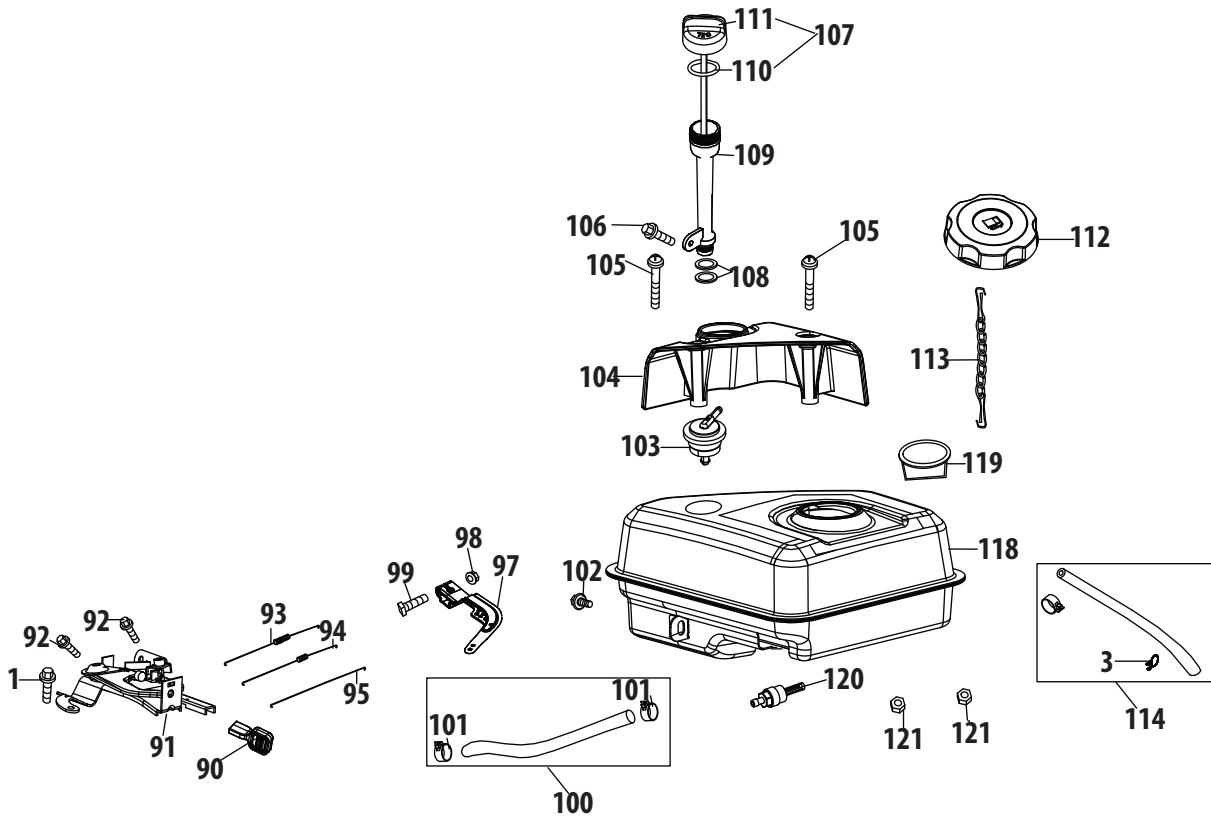
130 - Complete Engine



170-TU Crankshaft & Crankcase

Ref.	Part Number	Description	Ref.	Part Number	Description
50	951-12111	Piston Ring Set	67	715-04089	Dowel Pin 9x14
51	951-11632	Piston Pin Snap Ring	68	951-11371	Crankcase Cover Gasket
52	951-12007	Piston	69	951-12125	Cover Comp, Left Crankcase
53	951-11633	Piston Pin	70	710-04932	Bolt M8x32
54	710-04915	Bolt M6x12	71	951-11283	Oil Plug
55	951-11113	Air Shield	72	951-11578	Oil Seal, 25x41.25x6
56	951-11573	Connecting Rod Assembly	73	951-12551	Short Block
57	951-11356	Governor Arm Shaft			(Incl.6,22,27,28,44,46,47, 50-53,56-70,72-75)
58	736-04461	Washer 5.2x1.9	74	951-12514	Oil Drain Plug
59	951-11574	Governor Seal	77	951-12126	Oil Seal 25x41.25x6
60	714-04074	Cotter Pin	125	951-12573	Gasket Kit - External
61	951-11575	Camshaft Assy.			(Incl.6,22,27-29,31)
62	951-11369	Radial Ball Bearing, 6205	126	951-12572	Gasket Kit - Complete
63	951-12160	Crankshaft Assembly			(Incl.6,22,27-29,31,44, 58,59,68,72,75)
64	951-10307	Woodruff Key	130	952Z170-TU	Complete Engine
65	951-11576	Governor Gear/Shaft Assembly			
66	715-04092	Dowel Pin 7x14			

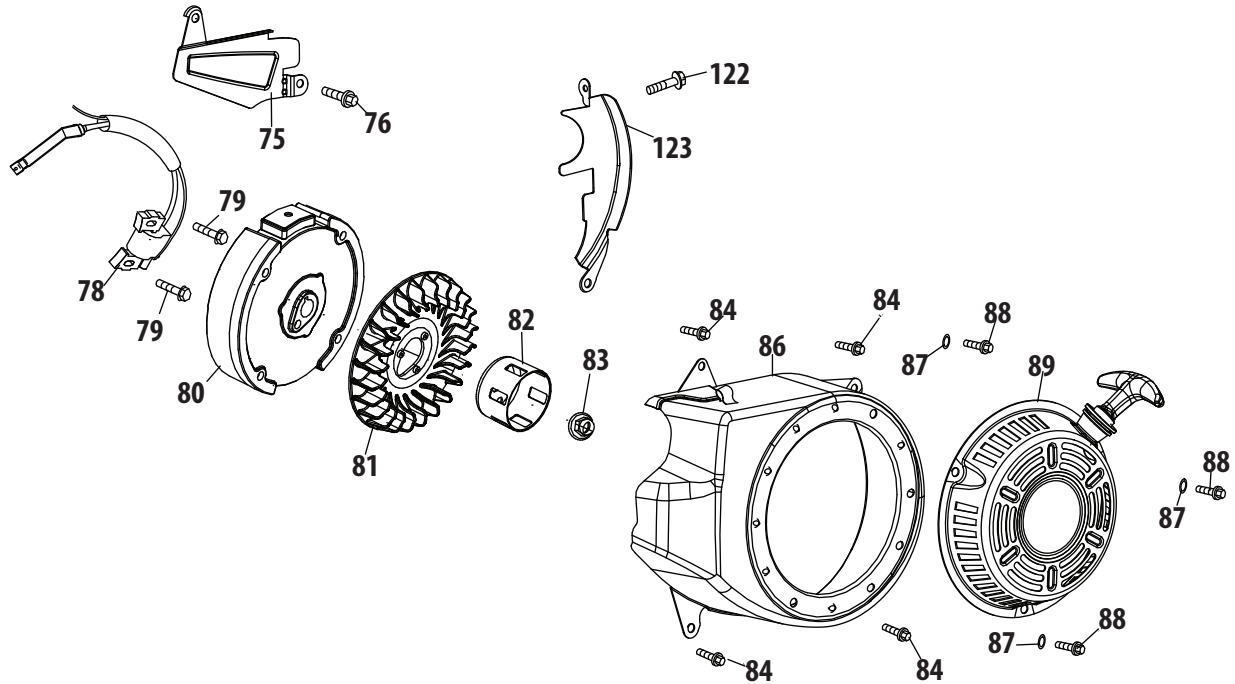
170-TU Fuel Tank & Mounting



Ref.	Part Number	Description
1	710-04968	Bolt M6x16
3	726-04101	Breather Hose Clamp
90	951-11067	Throttle Control Knob
91	951-12131	Primer Bracket
92	710-05103	Bolt M6x12
93	951-11585	Governor Spring
94	951-10664	Throttle Linkage Spring
95	951-10665	Throttle Linkage
97	951-11106	Governor Arm
98	712-04212	Nut M6
99	710-04908	Governor Arm Bolt
100	951-10650	Fuel Line Kit
101	951-11700	Fuel Hose Clamp
102	710-04915	Bolt M6x12
103	951-14075	Rollover Valve

Ref.	Part Number	Description
104	951-11914	Dipstick Decoration Cover
105	710-04905	Bolt
106	710-04915	Bolt M6x12
107	951-12482	Dipstick Assembly
108	951-11381	O-Ring
109	951-11913	Oil Fill Tube Assembly
110	951-11904	O-Ring
111	951-11912	Dipstick Gauge
112	951-12535	Cap Comp,Fuel
113	951-14076	Tether
114	751-14139	Primer Hose
118	951-14077	Fuel Tank Assembly
119	951-11933	Fuel Level Indicator
120	951-10651	Fuel Tank Nipple
121	712-04212	Nut, M6

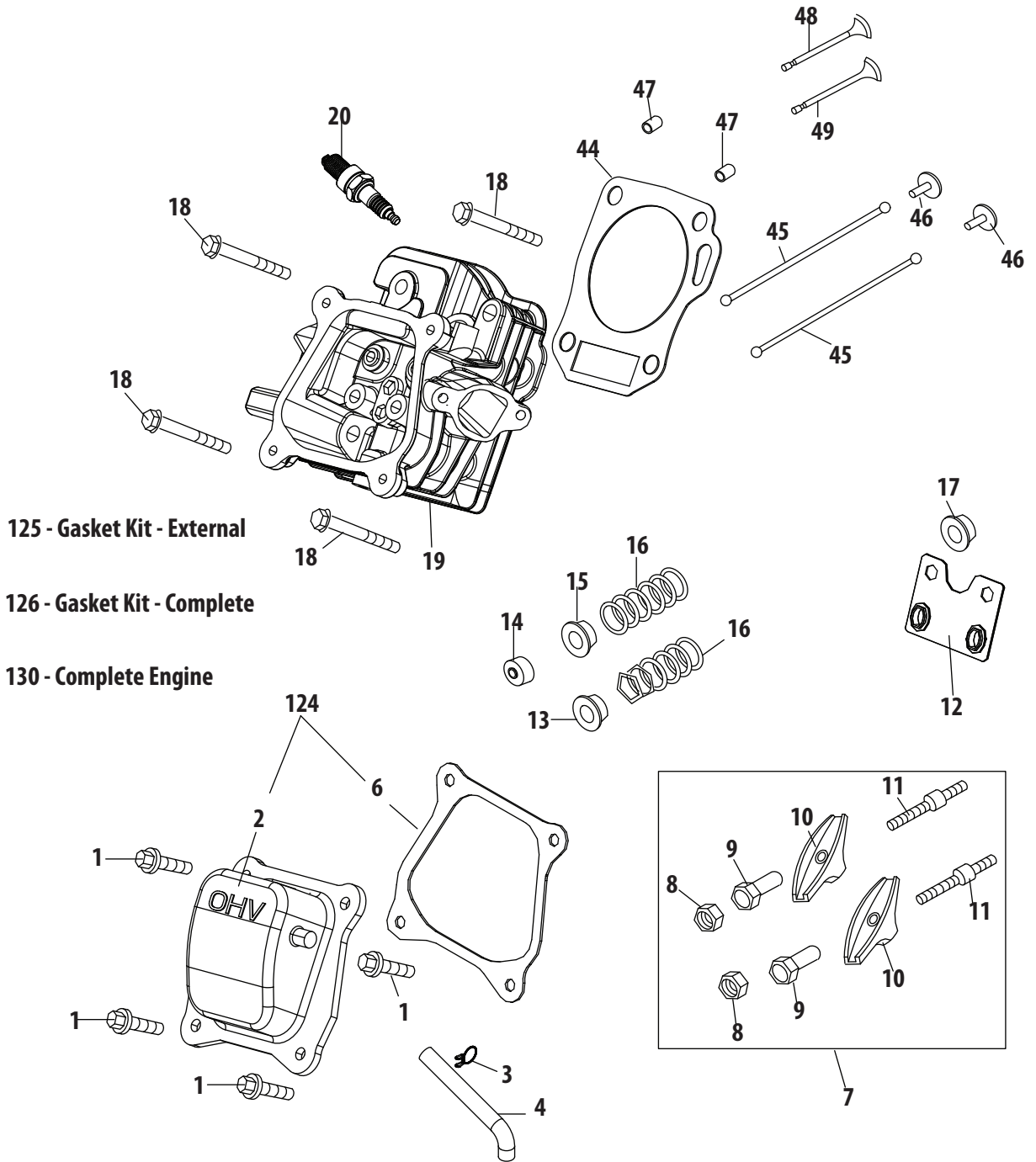
170-TU Flywheel & Blower Housing



Ref.	Part Number	Description
75	951-11110	Air Flow Shield
76	710-04940	Bolt M6×10
78	951-10792	Ignition Coil Assembly
79	710-04919	Bolt M6×25
80	951-10805	Flywheel
81	951-10934	Fan, Cooling
82	951-10911	Pulley, Starter
83	712-04209	Nut, Special, M14×1.5

Ref.	Part Number	Description
84	710-04915	Bolt M6×12
86	951-11583	Blower Housing
87	736-04455	Washer
88	710-04974	Bolt M6×10
89	951-12418	Recoil Starter
122	710-04918	Bolt M6×20
123	951-11109	Blower Housing Shield

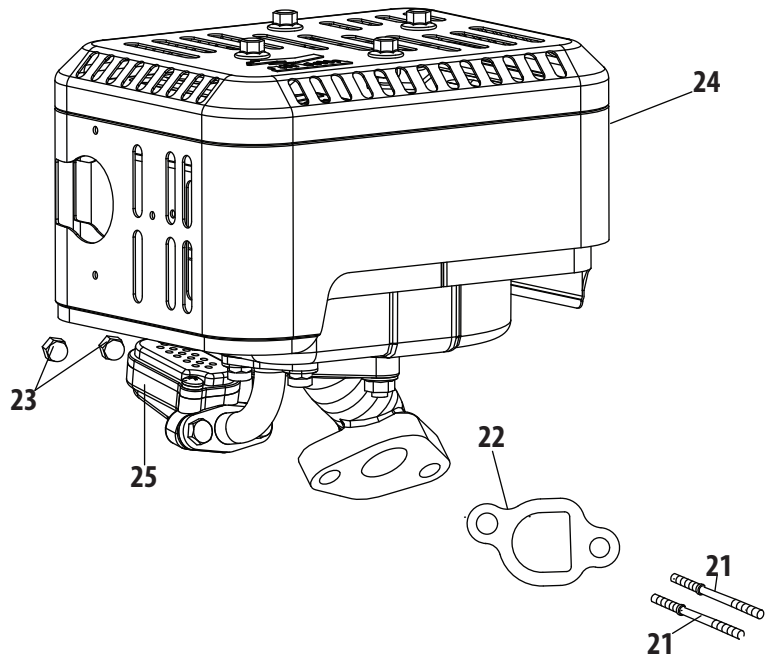
170-TU Cylinder Head



170-TU Cylinder Head

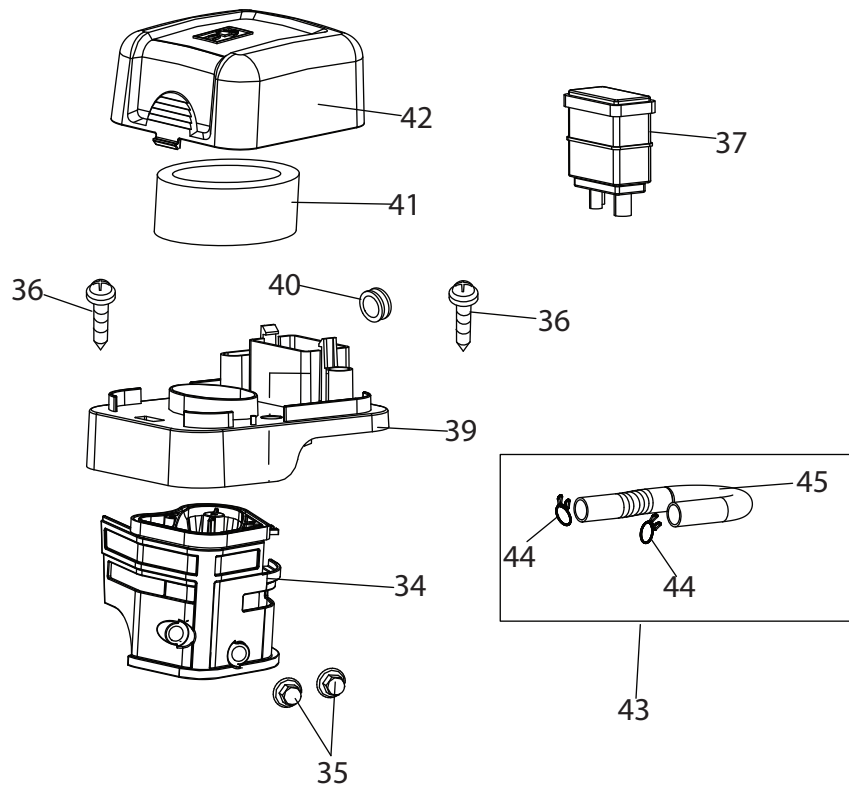
Ref.	Part Number	Description	Ref.	Part Number	Description
1	710-04968	Bolt M6×16			Incl.4,15,16,38)
2	951-11054	Valve Cover		951-10722A	Cylinder Head Assembly
3	726-04101	Breather Hose Clamp			(Incl.6,8-17,19,22,28,
4	731-07059	Exhaust Piping			29,44,48,49)
6	951-11565	Valve Cover Gasket	20	951-10292	Spark Plug/F6Rtc
7	951-11892	Rocker Arm Assembly	44	951-11572	Gasket, Cylinder Head
8	751-11124	Nut, Pivot Locking	45	951-10648	Push Rod Kit
9	751-11123	Adjusting Nut ,Valve	46	951-11899	Tappet
10	951-11893	Rocker Arm	47	715-04108	Dowel Pin 10×16
11	710-04902	Bolt, Pivot	48	951-10647A	Valve Kit
12	951-11895	Push Rod Guide	49	951-10647A	Valve Kit
13	951-12000	Retainer, In.Valve Spring	124	951-11063A	Valve Cover Kit
14	951-12002	Adjuster, Exh Valve	125	951-12573	Gasket Kit - External
15	951-12003	Retainer, Ex.Valve Spring			(Incl.6,22,27-29,31)
16	951-12004	Valve Spring	126	951-12572	Gasket Kit - Complete
17	951-11894	Intake Valve Seal			(Incl.6,22,27-29,31,44,
18	710-04933	Bolt M8×55			58,59,68,72,75)
19	951-10819	Cylinder Head Service Kit	130	952Z170-TU	Complete Engine

170-TU Muffler

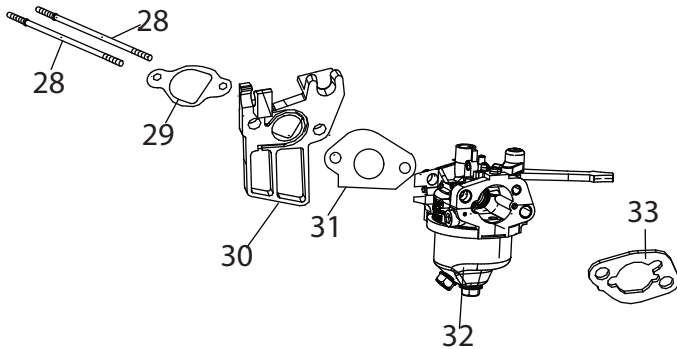


Ref.	Part Number	Description
21	951-14063	Stud M8×38
22	951-11289	Exhaust Pipe Gasket
23	712-04214	Nut, M8
24	951-14067	Muffler Assembly
25	951-12865	Secondary Air Valve

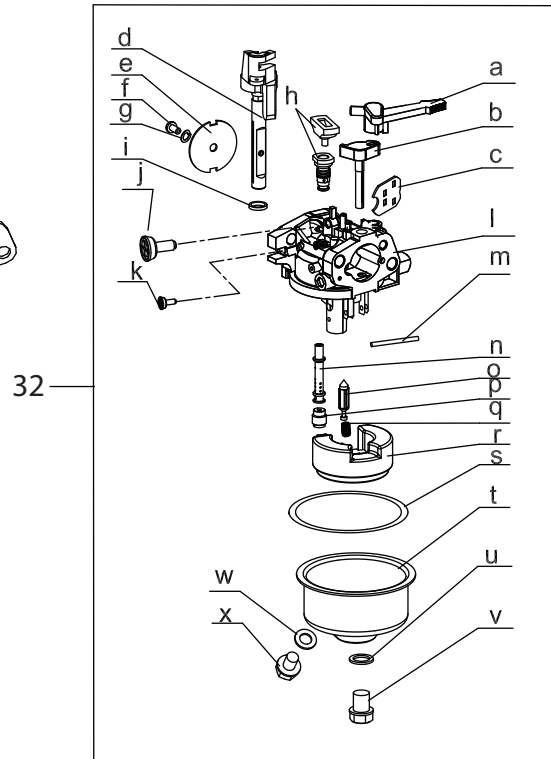
170-VU Air Cleaner



Ref.	Part Number	Description
34	951-10806	Air Cleaner Housing
35	712-04213	Nut
36	951-14068	Self-Tapping Bolt M4.2×16
37	951-14069	Carbon Canister
39	951-14070	Silencer Plate
40	750-05314	Rubber Shock Pad
41	951-10794	Air Filter Assembly
42	951-14071	Air Filter Cover
43	951-14072	Primer Hose
44	951-14073	Clamp
45	951-14074	Exhaust Piping



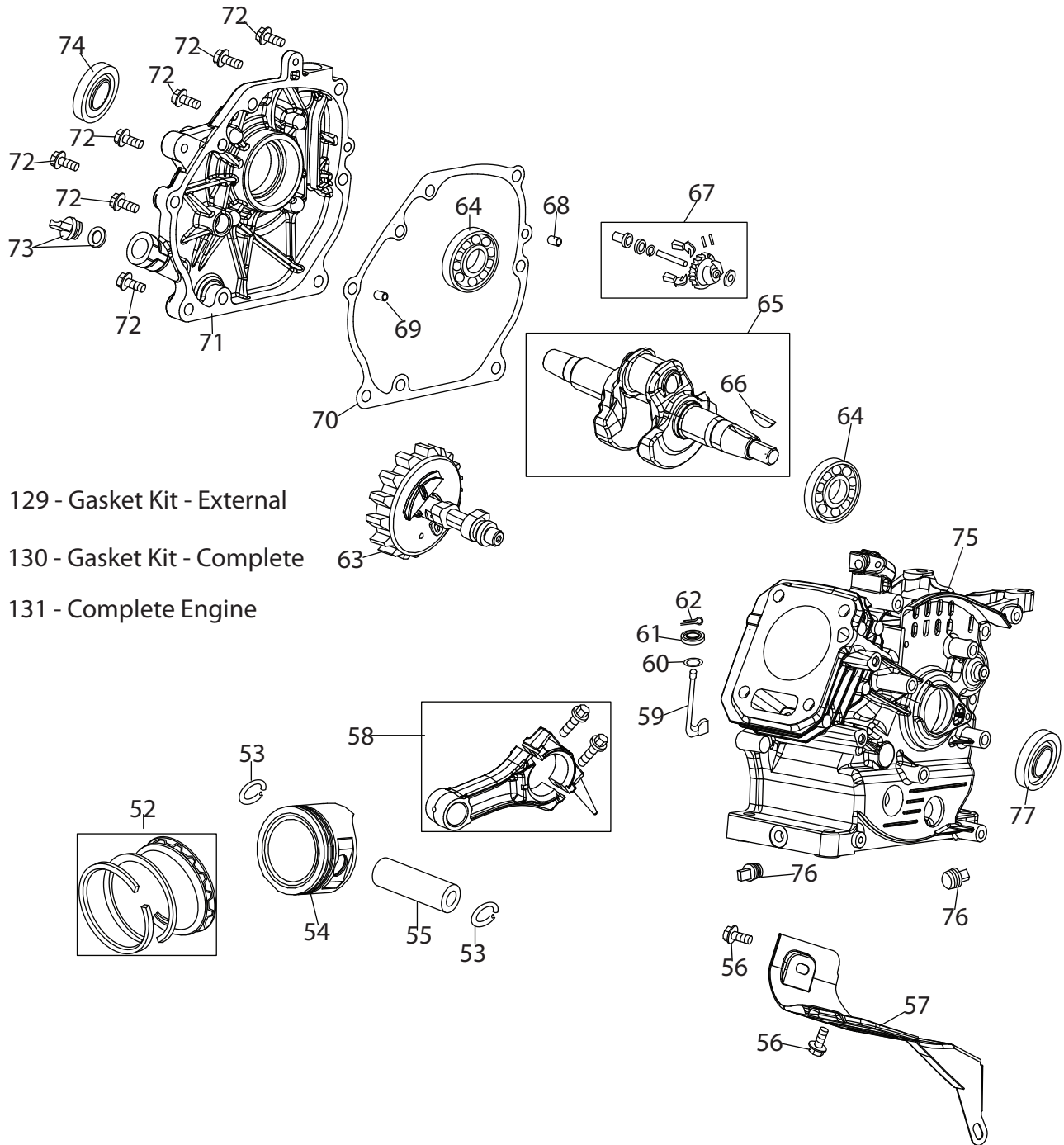
127 - Carburetor Kit - Major



Ref.	Part Number	Description
28	710-05101	Stud M6×110
29	951-11567	Carburetor Insulator Gasket
30	951-11568	Carburetor Insulator
31	951-11569A	Carburetor Gasket
32	951-12124	Carburetor Assembly
33	951-11571	Carburetor Gasket Plate
127	951-12119A	Carburetor Kit - Major (Incl. h, i, j, m, n, o, p, q, r, s, u, w)
a	951-11177	Control Lever, Choke
b	n/a	Choke Shaft
c	n/a	Choke Plate
d	n/a	Throttle Shaft
e	n/a	Throttle Plate
f	n/a	Screw M3×5
g	736-04638	Lock Washer
h	n/a	Idle Jet Assembly

Ref.	Part Number	Description
i	n/a	Gasket, Throttle Plate
j	n/a	Idle Speed Adjusting Screw
k	n/a	Mixture Screw
l	n/a	Carburetor Body
m	n/a	Float Pin
n	n/a	Emulsion Tube
o	n/a	Needle Valve
p	n/a	Main Jet
q	n/a	Needle Valve Spring
r	n/a	Float
s	951-11589	Fuel Bowl Gasket
t	n/a	Fuel Bowl
u	951-11348	Fuel Bowl Gasket
v	710-04945	Fuel Bowl Mounting Bolt
w	951-11349	Fuel Drain Plug Gasket
x	710-04938	Fuel Drain Plug

170-VU Crankshaft & Crankcase



129 - Gasket Kit - External

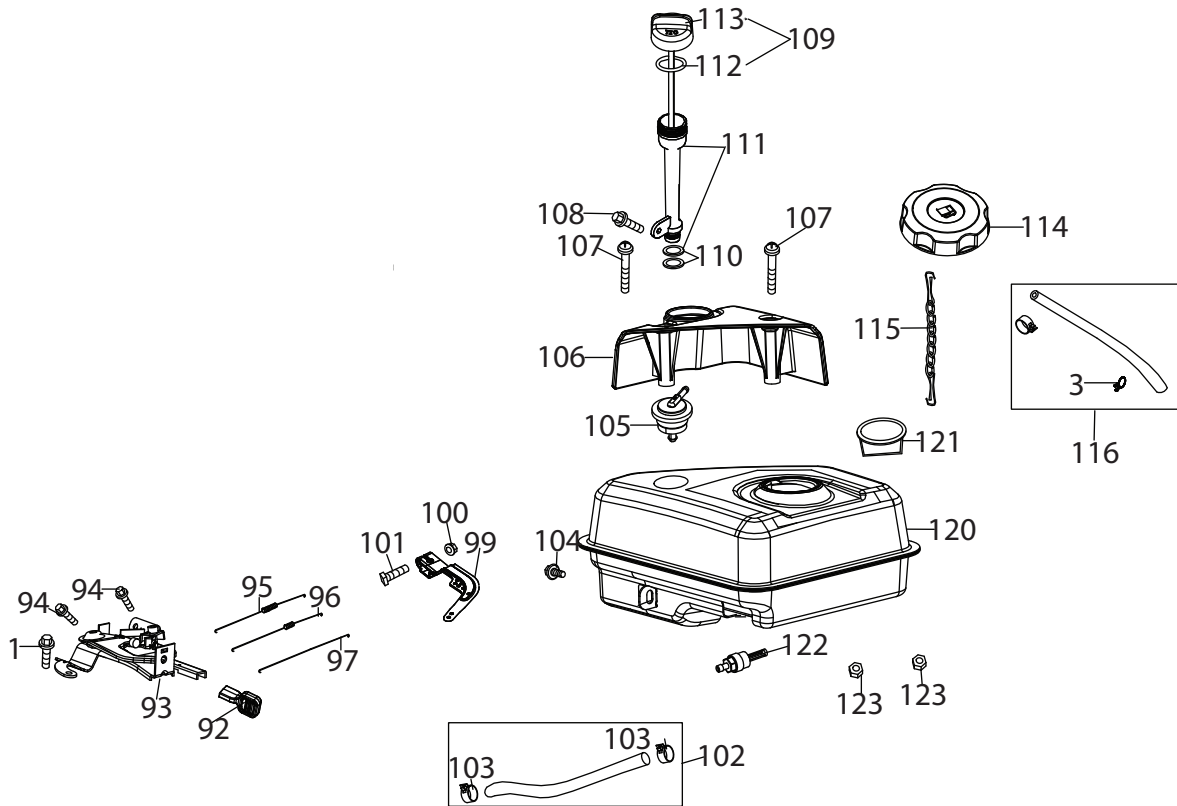
130 - Gasket Kit - Complete

131 - Complete Engine

170-VU Crankshaft & Crankcase

Ref.	Part Number	Description	Ref.	Part Number	Description
52	951-12111	Piston Ring Set	69	715-04089	Dowel Pin 9x14
53	951-11632	Piston Pin Snap Ring	70	951-11371	Crankcase Cover Gasket
54	951-12007	Piston	71	951-12125	Cover Comp, Left Crankcase
55	951-11633	Piston Pin	72	710-04932	Bolt M8x32
56	710-04915	Bolt M6x12	73	951-11283	Oil Plug
57	951-11113	Air Shield	74	951-11578	Oil Seal, 25x41.25x6
58	951-11573	Connecting Rod Assembly	75	951-12551	Short Block
59	951-11356	Governor Arm Shaft			(Incl.6,22,29,30,46,48,49, 52,53,55,58-72,74-77)
60	736-04461	Washer 5.2x1.9	76	951-12514	Oil Drain Plug
61	951-11574	Governor Seal	77	951-12126	Oil Seal 25x41.25x6
62	714-04074	Cotter Pin	129	951-12573	Gasket Kit - External
63	951-11575	Camshaft Assy.			(Incl.6,22,29-31,33)
64	951-11369	Radial Ball Bearing, 6205	130	951-12572	Gasket Kit - Complete
65	951-12160	Crankshaft Assembly			(Incl.6,22,29-31,33,46, 60,61,70,74,77)
66	951-10307	Woodruff Key	131	952Z170-VU	Complete Engine
67	951-11576	Governor Gear/Shaft Assembly			
68	715-04092	Dowel Pin 7x14			

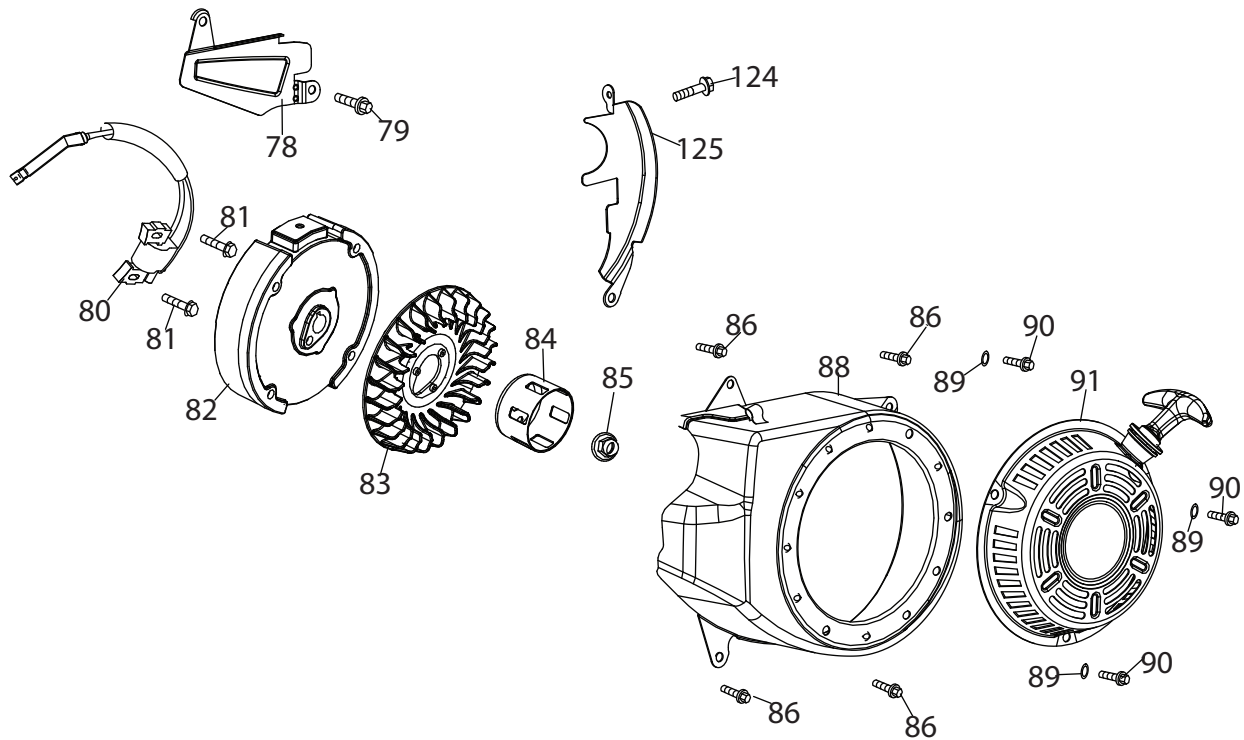
170-VU Fuel Tank & Mounting



Ref.	Part Number	Description
1	710-04968	Bolt M6x16
3	726-04101	Breather Hose Clamp
92	951-11067	Throttle Control Knob
93	951-12131	Primer Bracket
94	710-05103	Bolt M6x12
95	951-11585	Governor Spring
96	951-10664	Throttle Linkage Spring
97	951-10665	Throttle Linkage
99	951-11106	Governor Arm
100	712-04212	Nut M6
101	710-04908	Governor Arm Bolt
102	951-10650	Fuel Line Kit
103	951-11700	Fuel Hose Clamp
104	710-04915	Bolt M6x12
105	951-14075	Rollover Valve

Ref.	Part Number	Description
106	951-11914	Dipstick Decoration Cover
107	710-04905	Bolt
108	710-04915	Bolt M6x12
109	951-12482	Dipstick Assembly
110	951-11381	Oil Fill Tube O-Ring
111	951-11913	Oil Fill Tube Assembly
112	951-11904	Oil Fill Tube O-Ring
113	951-11912	Dipstick Guage
114	951-12535	Cap Comp,Fuel
115	951-14076	Tether
116	751-14139	Primer Line Kit
120	951-14077	Fuel Tank Assembly
121	951-11933	Fuel Level Indicator
122	951-10651	Fuel Tank Nipple
123	712-04212	Nut, M6

170-VU Flywheel & Blower Housing



Ref.	Part Number	Description
78	951-11110	Air Flow Shield
79	710-04940	Bolt M6×10
80	951-10792	Ignition Coil Assembly
81	710-04919	Bolt M6×25
82	951-10805	Flywheel
83	951-10934	Fan, Cooling
84	951-10911	Pulley, Starter
85	712-04209	Nut, Special, M14×1.5

Ref.	Part Number	Description
86	710-04915	Bolt M6×12
88	951-11583	Blower Housing
89	736-04455	Washer
90	710-04974	Bolt M6×10
91	951-12418	Recoil Starter
124	710-04918	Bolt M6×20
125	951-11109	Blower Housing Shield

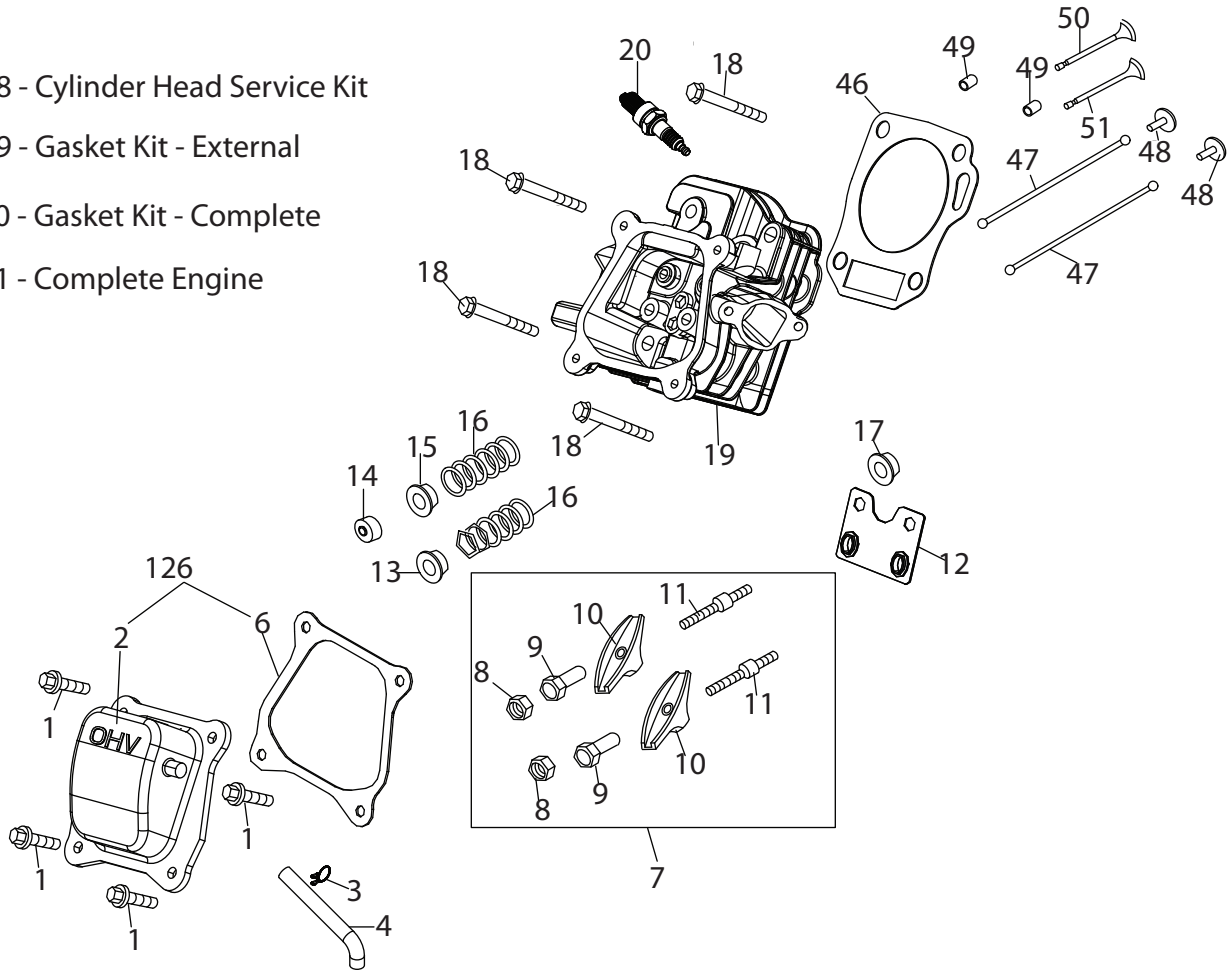
170-VU Cylinder Head

128 - Cylinder Head Service Kit

129 - Gasket Kit - External

130 - Gasket Kit - Complete

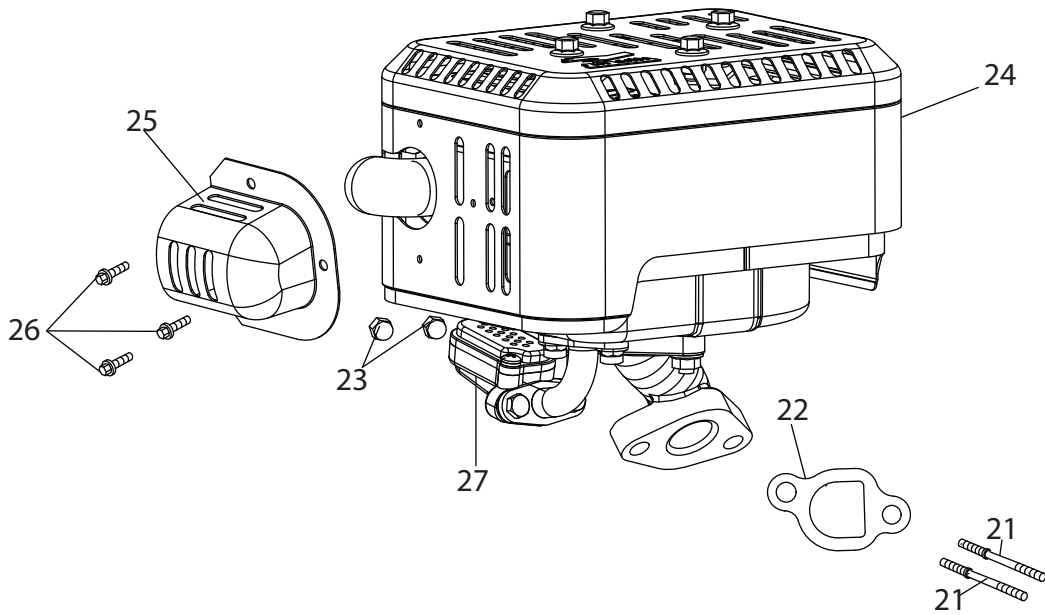
131 - Complete Engine



170-VU Cylinder Head

Ref.	Part Number	Description	Ref.	Part Number	Description
1	710-04968	Bolt M6×16			(Incl.6,8-17,19,22,29,
2	951-11054	Valve Cover			30,46,50,51)
3	726-04101	Breather Hose Clamp	20	951-10292	Spark Plug/F6Rtc
4	731-07059	Exhaust Piping	46	951-11572	Gasket, Cylinder Head
6	951-11565	Valve Cover Gasket	47	951-10648	Push Rod Kit
7	951-11892	Rocker Arm Assembly	48	951-11899	Tappet
8	751-11124	Nut, Pivot Locking	49	715-04108	Dowel Pin 10×16
9	751-11123	Adjusting Nut ,Valve	50	951-10647A	Valve Kit
10	951-11893	Rocker Arm	51	951-10647A	Valve Kit
11	710-04902	Bolt, Pivot	126	951-11063A	Valve Cover Kit
12	951-11895	Push Rod Guide	128	951-10819	Cylinder Head Service Kit
13	951-12000	Retainer, In.Valve Spring			(Incl.6,17,18,46)
14	951-12002	Adjuster, Exh Valve	129	951-12573	Gasket Kit - External
15	951-12003	Retainer, Ex.Valve Spring			(Incl.6,22,29-31,33)
16	951-12004	Valve Spring	130	951-12572	Gasket Kit - Complete
17	951-11894	Intake Valve Seal			(Incl.6,22,29-31,33,46,
18	710-04933	Bolt M8×55			60,61,70,74,77)
19	951-10722A	Cylinder Head Assembly	131	952Z170-VU	Complete Engine

170-VU Muffler



Ref.	Part Number	Description
21	951-14063	Stud M8×38
22	951-11289	Exhaust Pipe Gasket
23	712-04214	Nut, M8
24	951-14067	Muffler Assembly
25	951-14078	Exhaust Pipe Shield
26	951-14079	Duct Bolt
27	951-12865	Secondary Air Valve



To order replacement parts, call a Customer Support Representative at (800) 965-4CUB.
Locate your nearest Cub Cadet dealer at (877) 282-8684
or visit www.cubcadet.com to find the nearest Cub Cadet dealer in your area.

CUB CADET LLC, P.O. BOX 361131 CLEVELAND, OHIO 44136-0019

Free Manuals Download Website

<http://myh66.com>

<http://usermanuals.us>

<http://www.somanuals.com>

<http://www.4manuals.cc>

<http://www.manual-lib.com>

<http://www.404manual.com>

<http://www.luxmanual.com>

<http://aubethermostatmanual.com>

Golf course search by state

<http://golfingnear.com>

Email search by domain

<http://emailbydomain.com>

Auto manuals search

<http://auto.somanuals.com>

TV manuals search

<http://tv.somanuals.com>