



G3 DIGITAL ICED TEA BREWING SYSTEMS

MODELS: PTT310, TCTS10, TCTT10, TCTS10 SWEET TEA

Revolutionary Design
TWO Ultra-Precision Inlet Valves
and Water Level Sensor System provide
unsurpassed tea flavor.



TCTS
(Shown with optional TCO dispenser)



PTT3
(With standard Tea Toter Dispenser)

The new Curtis G3 Tea Brewing Systems – incredible tea flavor, simple operation, reduced maintenance.

At the center of the Curtis G3 Tea Brewing Systems is its unique Universal Control Module. The G3's oversized LCD display and simple interface makes "scroll-through" programming incredibly easy. Of course, there's no need to adjust the system, as Curtis' pre-programmed factory settings deliver ideal results right out of the carton. Simply add bulk leaves or flow-thru filter packs and press the brew button for gallons of cool, flavorful iced tea in just minutes.

Curtis G3 Systems include a host of new features designed to optimize tea quality including... digital temperature and brew-by-volume control, PM alerts, cold water brew lock-out, and much more. The result is perfect tea flavor and clarity, which keeps customers – and profits – returning.

Select from the low-profile Polaris PTT3 with movable "TeaToter" dispenser or the TCTS, TCTT or Sweet Tea for direct-to-dispenser high-volume brewing.

ITEM NO

PROJECT

DATE

FEATURES AT A GLANCE

- **G3 Digital Control Module** – Provides precise control for gourmet fine tuning with pulse-brewing, delay, and all critical brewing functions.
- **G3 Enhanced Tea Flavor & Clarity** – With digital accuracy, two separate precision valves provide unsurpassed control over concentrate brewing and dilution cycles.
- **"Fast Brew" Option** – Program selectable. Shortens brew time by allowing concentrate and dilution cycles to run at the same time.
- **"Dual Batch" Option** - Overlay available (Order Separately).
- **Intuitive Scroll-Through Precision Programming** – Large, brightly lighted display communicates functions at a glance. Easily adjust time, volume, temperature, brew functions and more.
- **Two Factory Set Recipes... Regular and Tropical** – For out-of-the-box operation.
- **On-Board Self Diagnostics** – G3 continually senses proper brewing operation. A Service Phone Number and error code will be displayed in the rare event technical assistance is required... reducing downtime.
- **Curtis' Exclusive G3 3-Year Warranty** – 3 years of protection on the digital control components.
- **Cold Water Brew Lock-Out** – Prevents brewing when water temperature is below set level.
- **Standard 120VAC Operation** – Makes installation quick and simple.
- **Colorful "Iced Tea" Merchandising Graphics**

- **"Sweet Tea" Brewer** - Complete with electric pump. Program selectable for regular or sweet tea.

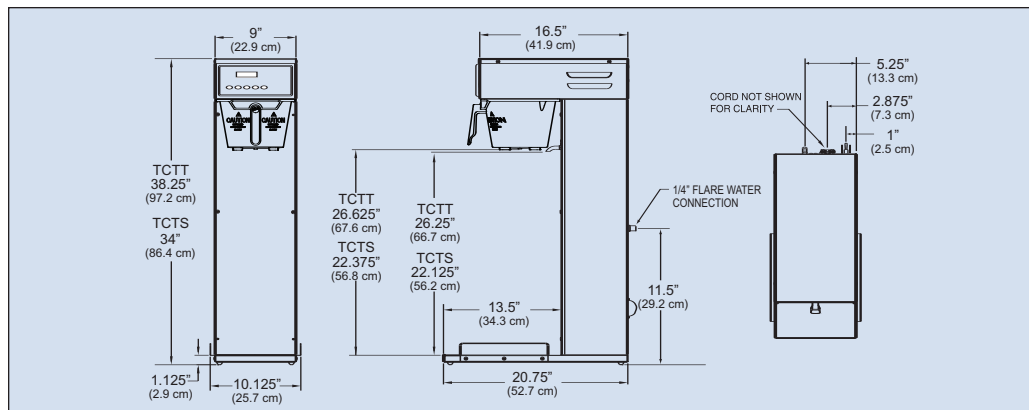


Sweet Tea Control Module



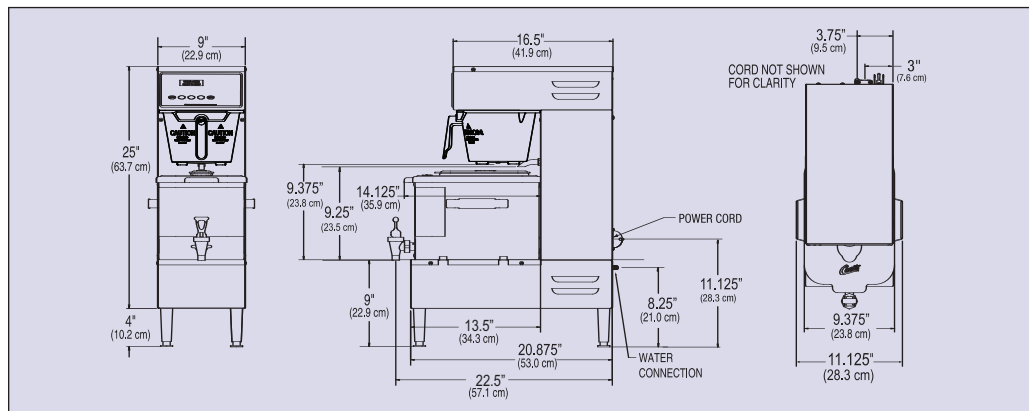
TCTS10 TCTT10 Sweet Tea

(Dispenser Not Included)



PTT310

(TCO 308 Dispenser Included)



Specifications	TCTS10	TCTT10	PTT310
Finished Brew Capacity	3 to 5 Gallons	3 to 5 Gallons	3 Gallons
Dimensions (HxWxD)	34" x 10.125" x 20.75"	38.25" x 10.125" x 20.75"	29" x 11.125" x 20.875"
Voltage	120VAC/60Hz	120VAC/60Hz	120VAC/60Hz
Power Requirements	1700W/14.2A	1700W/14.2A	1700W/14.2A
Cord & Plug	6 ft/NEMA 5-15P	6 ft/NEMA 5-15P	6 ft/NEMA 5-15P
Water Inlet	1/4" Flare	1/4" Flare	1/4" Flare
Shipping Weight	38 lbs.	38 lbs.	46 lbs.
Cube (cu.ft)	9.7	9.7	7.5

Iced Tea Dispensers	TCO-308 (Oval)	TCO-RS (Stand)	TCO-421 (Oval)	TC-3H (Round)
Fits Brewer Model	PTT310	PTT310	TCTS10/TCTT10	TCTS10/TCTT10
Capacity	3 Gallons	n/a	4 Gallons	3.5 Gallons
Faucet Clearance	n/a	n/a	9.875"	8.125"
Diameter/Dimensions	9"h x 11.125"w x 13.5"d	10"h x 14"w x 14"d	21"h x 11.125"w x 15"d	9.375" diameter
Overall Height	13.5"	14"	21.75"	22.75"
Shipping Weight	5 lbs.	8 lbs.	12 lbs.	8.25 lbs.
Cube (cu.ft)	1.8	1.1	3.7	1.3



WILBUR CURTIS COMPANY, INC.

6913 Acco Street, Montebello, CA 90640-5403

Telephone: 800-421-6150 · 323-837-2300

Fax: 323-837-2406

www.wilburcurtis.com



Free Manuals Download Website

<http://myh66.com>

<http://usermanuals.us>

<http://www.somanuals.com>

<http://www.4manuals.cc>

<http://www.manual-lib.com>

<http://www.404manual.com>

<http://www.luxmanual.com>

<http://aubethermostatmanual.com>

Golf course search by state

<http://golfingnear.com>

Email search by domain

<http://emailbydomain.com>

Auto manuals search

<http://auto.somanuals.com>

TV manuals search

<http://tv.somanuals.com>