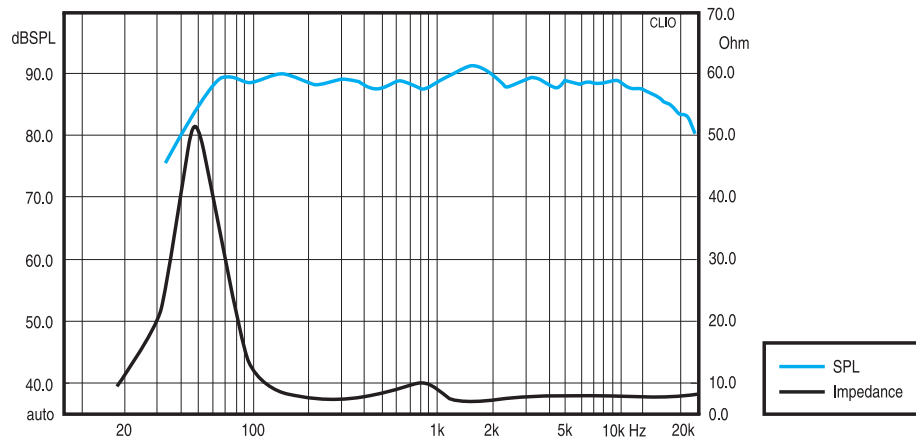


Frequency Graph



- Specifications:**
- Impedance: 8 ohms
 - Frequency response: 60 - 20,000 Hz
 - SPL: 88 dB 2.83V/1m
 - Power Handling: 65 watts RMS
 - Cabinet dimensions (straight-sided): 12" H x 7.5" W x 10" D
 - Cabinet dimensions (curved sided): 12" H x (7.5" front, 4.5" back) W x 10.5" D.

Dayton Audio RS621 Speaker System

Warranty Information

Dayton Audio® products are constructed by industry experts, and are thoroughly tested before shipment. Dayton Audio® products are warranted for the period of one year. This warranty is limited to manufacturer defects, either in materials or workmanship. Dayton Audio® is not responsible for any consequential or inconsequential damage to any other unit or component or the cost for installation or extraction of any component of the audio system. In the rare case of a product failure, please contact your place of purchase or call our Customer Support Department at (937) 743-8248.

Warranty Limitations

There are no other warranties, either express or implied, which extend the foregoing, and there are no warranties of merchantability or fitness for any particular purpose. The warranty will not cover incidental or consequential damage due to defective or improper use of products. This includes but is not limited to burnt voice coils, overheating, bent frames, holes in the cone, or broken lead wires.

This warranty gives you specific legal rights and you may also have other rights which vary from state to state.

Non-Warranty Service: If non-warranty service is required, the product may be sent to the Company for repair/replacement, transportation prepaid, by calling (937) 743-8248 for details, complete instructions, and service fee charges.

User Manual



P.O. Box 52 • Springboro, OH • 45066-052 • Phone: (937) 743-8248

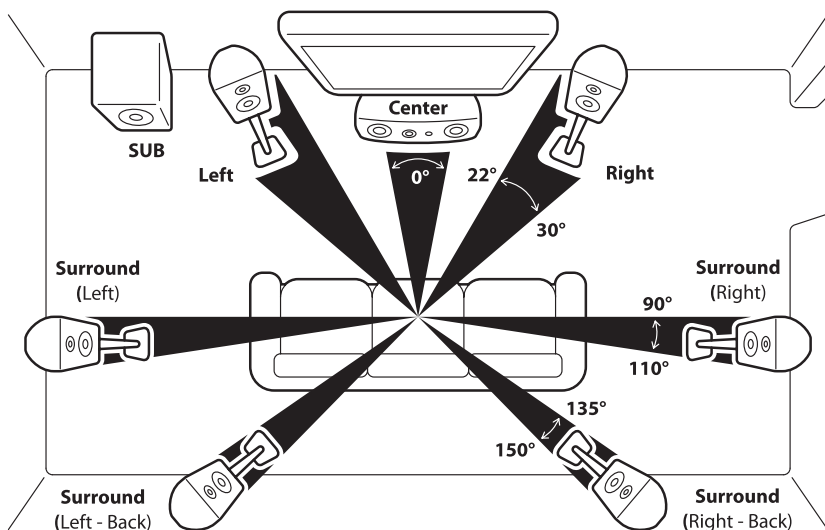
Introduction

The Dayton RS150S-4 woofer and Dayton RS28AS-4 tweeter have been sonically matched and integrated in this system. Great drivers, superbly constructed enclosures, and optimized cross-overs are combined to provide impressive music playback performance. Both drivers' motors incorporate magnetic shielding to prevent interference with adjacent equipment. The net crossover point between the woofer and tweeter is at about 2,300 Hz. A fourth-order acoustic slope was used for the low pass filter and the tweeter utilizes a simple third-order electrical filter.

The overall output capability and impressive bass response of this compact loudspeaker is second to none—supplemented with a subwoofer, this system really rocks! It is very accurate, yet not harsh or overly clinical. When used properly, the RS621 can handle a healthy amount of power and produce sound pressure levels that will fill any average-sized room. Overall, these great all-around compact speakers will excel in a myriad of applications.

Speaker Placement

Your speaker system will perform well in a variety of arrangements and locations. For best results refer to the Speaker Placement Diagram and use the following guidelines to maximize your listening pleasure



Right and Left speaker

- Depending on room size, position your speakers at least 6 feet apart
- Keep speakers equal distance from the back wall
- Speaker height should be above your floor. Depending on the size of your speakers, utilizing stands will enhance the sound delivered
- Angle speakers to the listener, also known as the "sweet spot"
- Speakers may be placed on shelves or optional floor stands
- Refer to the Speaker Placement Diagram for additional suggestions to improve your sound

Center Channel speaker

- Place below or above the center of your video display
- Speakers may be placed on shelves or optional floor stands
- If your speaker can be wall mounted, never attempt to install it on the wall without additional assistance

Surround Channel speaker

- Place above ear height on side or rear walls
- Refer to Speaker Placement Diagram for optimum locations
- Some speakers may be wall mounted
- Never attempt to install speaker on the wall without additional assistance

Test your speakers

- Connect the speaker to your stereo system and play music through the speakers to verify the overall sound is full and smooth
- If a driver is not working or sound is intermittent or distorted, cease testing and refer to the troubleshooting section

Break-In period

- Much like a car's engine, new speakers require a period of time to break them into regular use in order for them to perform well and last a long time
- Allow a full two weeks of playing time at moderate volume levels prior to running your system at high levels. This allows the drivers suspensions to properly break in

Care and cleaning

- To protect your Dayton speaker system's finish, use the same care you would with fine wood furnishings
- To remove dust from drivers, grills, or the cabinet tops, use a synthetic feather duster
- For more stubborn dust on grills or woofers, using canned air or a vacuum with a gentle brush attachment may be used
- Do not use any type of cleaning apparatus on tweeter domes as dust will not affect the sound and the chance of damaging the cone is high
- For cleaning streaks or fingerprints on the cabinet finishes, an ammonia-based window cleaner is recommended
- It is important to use only very soft, clean cloths, and to wipe gently at the surface
- Intense scrubbing or using dirty cloths with debris on them may cause small swirl marks or scratches in your speaker's finish
- Never place drinks or abrasive objects on the top of the speaker

Troubleshooting

In most cases the cause of a problem will be improper wiring of the speaker or stereo settings. Common mistakes: improper polarity, bad or loose connections, stereo settings.

Problem: No output from speaker system.

Cause: Bad connection.

Solution: Check connections from the stereo to the input of the speaker system. If this is OK, Test speaker on another system. If sound comes out check initial stereo settings and connections (speakers on/off). If there is no sound at all, please contact your place of purchase immediately.

Problem: In stereo, speakers lack bass or image is unfocused.

Cause: Speakers are out of phase.

Solution: Check connections from amplifier to the speakers. Make sure polarity is the same on both speakers. If this does not correct the problem, check polarity throughout the rest of the system, looking for one speaker that is wired incorrectly.

Problem: One speaker appears louder than the other.

Cause: Amplifier settings, environmental factors, psychoacoustics, poor connection in crossover.

Solution: Check your amplifier to ensure that the balance is set even. Next, check that one speaker isn't closer to a wall, window, couch, or other acoustically important object. This may affect perceived loudness due to the addition or reduction of extra sound reflections. If this is the case, physically switch the left and right speakers, and re-observe. If the same location still sounds quieter, then it is the environment. If the quiet speaker moves, then you may have a problem within the speaker. Often, if you think one speaker is louder than the other, it will appear so. Have someone help you do a blind test or take a break and allow time for your brain to relax. The next day, if one still seems louder, investigate all connections within the crossover.

Problem: Speakers play well, but amplifier shuts down.

Cause: Amplifier does not have enough power or cannot handle speaker impedance.

Solution: If using 4 ohm speakers, check receiver/amplifier manual to see if it can handle 4 ohm speakers or if it has a low impedance setting. If not, upgrade your amplifier. If the receiver/amplifier can safely handle the speaker load, then it may simply not have enough power.

Free Manuals Download Website

<http://myh66.com>

<http://usermanuals.us>

<http://www.somanuals.com>

<http://www.4manuals.cc>

<http://www.manual-lib.com>

<http://www.404manual.com>

<http://www.luxmanual.com>

<http://aubethermostatmanual.com>

Golf course search by state

<http://golfingnear.com>

Email search by domain

<http://emailbydomain.com>

Auto manuals search

<http://auto.somanuals.com>

TV manuals search

<http://tv.somanuals.com>