

9) Troubleshooting

Should your speakers not work properly, check the following:

No sound from speakers:

- Most stereo receivers have an A/B speaker selector switch. Make certain that this switch is in the proper position.
- Mute feature is activated.

One speaker is playing while the other is not:

- Check the balance control on the receiver. Make sure it is centered.
- Loose connection at either the receiver or the speaker. Double check connections.
- Bad speaker cable. Replace suspect speaker cable.

Receiver cuts on and off:

- This could be caused by a short circuit between the positive and negative leads. Check the connections at the back of the receiver, and then at the speaker; make sure that no strands of wire from one connector are touching the other connector.

10) Caring For Your In-Wall Speakers

The two most common ways that in-wall speakers are permanently damaged:

- 1) Not enough power at higher volumes.
- 2) Too much power at higher volumes.

Contrary to conventional wisdom, more speakers are damaged as a result of under-powering, than by overpowering. When a receiver runs out of power, it still tries to reproduce the musical signal by "clipping" the waveform. At high volume levels this clipping introduces gross amounts of distortion to the speaker, eventually destroying it. If the sound from your speakers starts to sound distorted, turn down the volume.

Having plenty of reserve power will help your speakers reproduce dynamic contrasts and quick transients of music much more effectively, but you must exercise good judgment; too much power can also permanently damage a speaker. If you hear distortion, turn the volume down.

Specifications

Model number	ME525MTM	ME625W	ME825W
Woofer	5.25" (x2) Kevlar cone	6.5" Kevlar cone	8" Kevlar cone
Tweeter	1" silk pivoting	1" silk pivoting	1" silk pivoting
Frequency response (Hz)	60-20,000	61-20,000	40-20,000
Dimensions H x W x D (in)	7-1/2" x 14-3/4" x 2-7/8"	12-1/8" x 8-1/4" x 3-3/8"	14-1/4" x 10-1/4" x 3-7/8"
Cut-out size H x W (in)	6-1/8" x 13-3/8"	10-3/4" x 6-3/4"	12-7/8" x 8-3/4"
Power handling (RMS/Peak)	50/100	50/100	80/160
Impedance	8	8	8
SPL (1W/1m)	86 ±3 dB	87 ±3 dB	88 ±3 dB
Xover point (Hz)	1,800	2,500	2,500
Xover slope	12 dB/octave	12 dB/octave	12 dB/octave
Tweeter attenuation (dB)	3, 6, 9	3, 6, 9	3, 6, 9
Type	2-way	2-way	2-way

Warranty Information

Dayton Audio products are constructed by industry experts and thoroughly tested before shipment. Dayton Audio products are warranted for the period of one year. This warranty is limited to manufacturer defects, either in materials or workmanship. Dayton Audio is not responsible for any consequential or inconsequential damage to any other unit or component, or the cost for installation or extraction of any component of the audio system. In the rare case of a product failure, please contact your place of purchase or call our Customer Support Department at (937) 743-8248.

Warranty Limitations

There are no other warranties, either expressed or implied, that extend the foregoing, and there are no warranties of merchantability or fitness for any particular purpose. The warranty will not cover incidental or consequential damage due to defective or improper use of products. This includes but is not limited to burnt voice coils, overheating, bent frames, holes in the cone, or broken lead wires.

This warranty gives you specific legal rights and you may also have other rights that vary from state to state.

Non-Warranty Service: If non-warranty service is required, the product may be sent to the Company for repair/replacement, transportation prepaid, by calling (937) 743-8248 for details, complete instructions, and service fee charges.



daytonaudio.com
tel + 937.743.8248
info@daytonaudio.com

705 Pleasant Valley Dr.
Springboro, OH 45066
USA



Dayton Audio® Last Revised: 3/9/2015

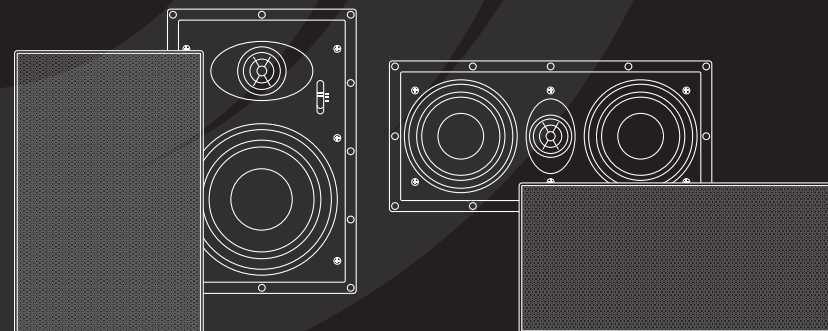
Download from www.Somanuals.com. All Manuals Search And Download.



MICRO EDGE SERIES In-Wall Speaker

Models: ME525MTM/ME625W/ME825W

User Manual



Congratulations on the purchase of your **Dayton Audio® Micro-Edge™ Series In-Wall Speakers**. These speakers were manufactured with high quality components and engineered to deliver top quality sound performance.

- Contemporary Micro-Edge™ low profile grill design with magnetic grill retention
- Long-throw woven Kevlar® woofer with rubber surround
- 1" pivoting silk dome tweeter for targeted sonic detail
- 12 dB/octave optimized crossover featuring exclusive tuning by Dayton Audio
- Selectable 0dB/-3dB/-6dB tweeter attenuation switch for effortless room integration
- All Dayton Audio Micro-Edge Series speakers are timbre matched to provide the best home theater experience.

Please read these instructions completely before you begin your installation.

1) Parts Inventory

Your speaker kit should include the following:

- 1 pair of Dayton Audio Micro-Edge In-Wall Speakers with Grills
- 1 speaker installation template

2) Installation Tools

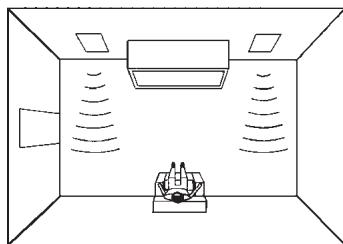
The Dayton Audio speakers can be installed with the following simple tools:

- Pencil
- Masking tape
- Drill & drill bits
- Utility knife or wallboard saw*
- #2 Phillips screwdriver
- Wire cutters & wire stripper/crimp tool
- Stud finder (optional)

* Recommended for use if installing in plaster walls.

3) Speaker Location

To achieve the best performance from your Dayton Audio speakers, it is important to carefully select the location for installation. Your in-wall speakers should be installed 5 to 8 feet apart to ensure proper stereo imaging. Mount each speaker the same distance from the ceiling to maintain a uniform look. Keep the speakers at least 2 feet away from the corners of the room to avoid overemphasized bass reproduction.



For the best stereo imaging, the listening position is centered between the speakers with the tweeters at ear level. Decide if the primary listening position will be in a seated or standing position. Mount the speakers so the tweeters are at the same level or slightly above the listener's ears.

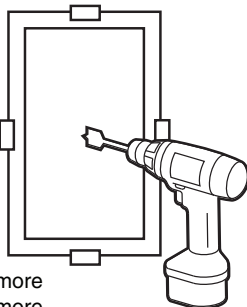
4) Speaker Installation

Once you have selected the location for your speakers, you are ready to install them.

CAUTION: Be certain that there are no electrical wires, water pipes, or heating ducts in the planned installation area before you start drilling or cutting into the wall. If there is an electrical outlet nearby, turn off the circuit breaker to avoid possible injury.

In-wall speakers are designed to be mounted in the wall between the studs. Once you have selected the location, check to be sure you are between the studs. One method is to tap on the wall; you will hear a hollow sound when between two studs and a sharper, more solid sound when right on top of, or close to a stud. An easier, more accurate method for finding the location of studs is to use a stud finder.

The Micro Edge™ Series in-wall speakers include a punch-out template for marking the cutout. To locate and mark the cutout for the speakers, remove the center punch-out and tape the speaker template to your wall in the desired location. Drill a 1" hole in the center of the template outline. Next, use a piece of stiff wire (a coat hanger works well), and bend it at a 90-degree



angle, 8" from the end. Insert the bent part of the wire into the 1" hole and rotate the wire in a complete circle to check for obstructions. If the wire hits a stud on either side, reposition your template to the left or right and drill a new hole at the center, then repeat the test until a clear area is located.

Once you have established that your chosen location is between two studs, and that there are no obstructions in the wall, scribe a clear line around the inside edge of the template with a pencil.

If the wall is made of drywall, simply cut the marked area with a utility knife or drywall saw. If the wall is made of plaster, use a saw with a higher tooth count to reduce the chance of breaking the plaster. Test fit the speaker in the hole, the speaker should fit loosely and the speaker frame should cover the edges of the hole. Repeat these steps for the other speaker.

5) Speaker Cable

Don't compromise sound quality by using thin, inexpensive speaker wire, we recommend using a high quality oxygen free copper speaker cable. For runs less than 50 feet we recommend 16 gauge cable; for longer runs we recommend 14 gauge or larger cable. Most municipalities require the use of CL2 rated speaker cable for installation in walls and ceilings. Leave enough speaker cable so you can stand comfortably on the floor or ladder while connecting the speaker cable to the speakers.

6) Speaker Connection

Remove about 8" of the cable jacket to expose the inner conductors. Strip 1/4" of insulation from each conductor and connect to the speaker terminals. When connecting the wires to the speakers, be sure to observe proper polarity. Most CL2 rated speaker cable will have red and black conductors, so you will connect the red wire to the red speaker terminal and the black wire to the black speaker terminal.

7) Final Installation

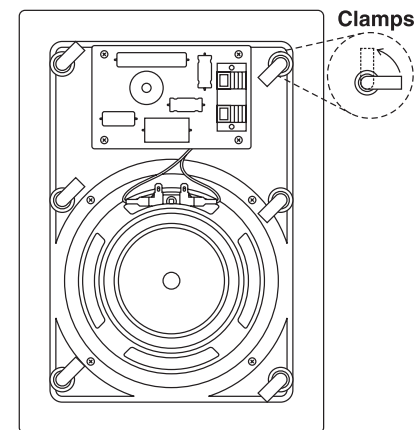
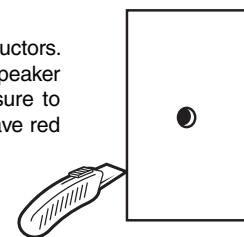
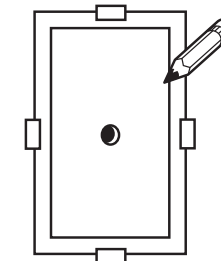
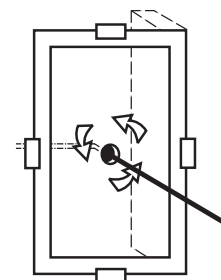
To install the speakers into the wall, remove the grills using a small paper clip, this will give you access to the mounting screws. Turn the mounting clamps so they are positioned as in the illustration, this will allow the speakers to clear the hole for installation. Insert the speaker into the hole, and tighten the mounting screws. As you turn each screw, the mounting clamps will rotate outward to engage the wall material.

CAUTION: Do not over-tighten the clamps. Too much torque may snap off the lug and the speaker will not seat securely. A snug fit is all that is necessary to assure proper performance.

The Dayton Audio Micro-Edge In-Wall speakers feature pivoting tweeters. Adjust the tweeters so they point in toward the listening area. Properly adjusting the direction of the tweeters greatly improve the stereo imaging of the speakers.

8) Painting Speakers

To paint the grill of your Micro-Edge speakers, remove the grill assembly (with plastic trim edge) from the speaker, and apply paint to the grill using an airbrush, airless sprayer, or spray can. **Do not try to paint the chassis and grill assembly together**, the grill should always be removed and painted separately. Do not apply heavy coats of paint that might block the perforations in the grill, and allow the paint to fully dry before re-installing the painted grill.



Free Manuals Download Website

<http://myh66.com>

<http://usermanuals.us>

<http://www.somanuals.com>

<http://www.4manuals.cc>

<http://www.manual-lib.com>

<http://www.404manual.com>

<http://www.luxmanual.com>

<http://aubethermostatmanual.com>

Golf course search by state

<http://golfingnear.com>

Email search by domain

<http://emailbydomain.com>

Auto manuals search

<http://auto.somanuals.com>

TV manuals search

<http://tv.somanuals.com>