

DELPHI SERIES



FEATURES

- High efficiency:
89% @ 5V/ 15A and 89.5% @ 3.3V/20A
- Size: 58.4mm x 22.8mm x 9.2mm
(2.30"x0.90"x0.36")
- Industry standard pin out
- 18~75V extremely wide 4:1 input range
- Fixed frequency operation
- Input UVLO, Output OTP, OCP, OVP
- 2250V isolation
- Basic insulation
- No minimum load required
- SMD and through-hole versions
- ISO 9001, TL 9000, ISO 14001, QS 9000, OHSAS 18001 certified manufacturing facility
- UL/cUL 60950-1 (US & Canada) Recognized, and TUV (EN60950-1) Certified
- CE mark meets 73/23/EEC and 93/68/EEC directives.

Delphi Series E36SR, 75W Eighth Brick Family DC/DC Power Modules: 18~75V in, 3.3Vo & 5Vo

The Delphi Series E36SR Eighth Brick, 18~75V input, single output, isolated DC/DC converter is the latest offering from a world leader in power systems technology and manufacturing — Delta Electronics, Inc. This product family operates from an extremely wide 18~75V input range and provides 3.3V/20A or 5V/15A of power in an industry standard eighth brick footprint and pinout. With creative design technology and optimization of component placement, these converters possess outstanding electrical and thermal performances, as well as extremely high reliability under highly stressful operating conditions. All models are fully protected from abnormal input/output voltage, current, and temperature conditions. The Delphi Series converters meet all safety requirements with basic insulation.

OPTIONS

- Short pin lengths available

APPLICATIONS

- Telecom / DataCom
- Wireless Networks
- Optical Network Equipment
- Server and Data Storage
- Industrial / Test Equipment

DATABRIEF
DB_E36SR_11292007

**DELTA**
Delta Electronics, Inc.

SPECIFICATIONS

GENERAL SPECIFICATIONS			OUTPUT SPECIFICATIONS		
Input Voltage		18~75V	Voltage Accuracy	Typical	±1%
Switching Frequency	Typical	300KHz	Line Regulation	Typical	±0.1%
Isolation Voltage	In/Out	2250V	Load Regulation	Typical	±0.1%
Isolation Capacitance	Typical	1500PF	Ripple & Noise	Typical (48Vin)	60 mV
Isolation Resistance	Minimum	10MΩ	Current Limits	Typical	130%
MTBF	Bellcore	TBD	Over Voltage	Typical	120%
OTP	Typical	105°C	Voltage Trim		+10%, -10%
Size	(2.30"x0.90"x0.36")	58.4x22.8x9.2mm			

PART NUMBERING SYSTEM

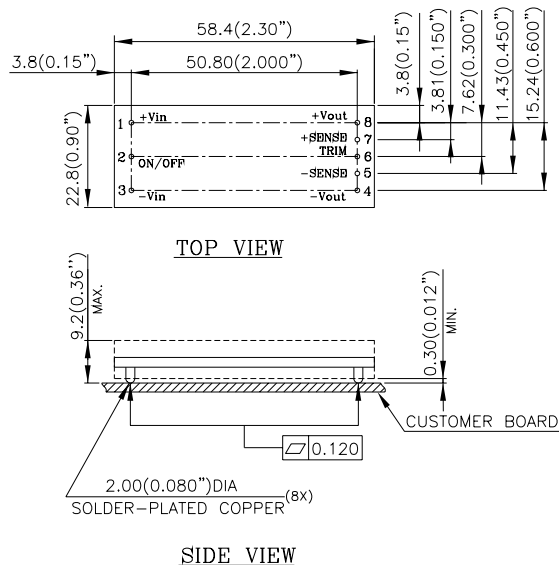
E	36	S	R	050	15	N	R	F	A
Type of Product	Input Voltage	Number of Outputs	Product Series	Output Voltage	Output Current	ON/OFF Logic	Pin Length		Option Code
E - Eighth Brick	36-18~75V	S - Single	R- Regular	3R3 - 3.3V 050 - 5.0V	15 - 15A 20 - 20A	N - Negative	R - 0.170"	F- RoHS 6/6 (Lead Free)	A - Standard Functions

MODEL LIST

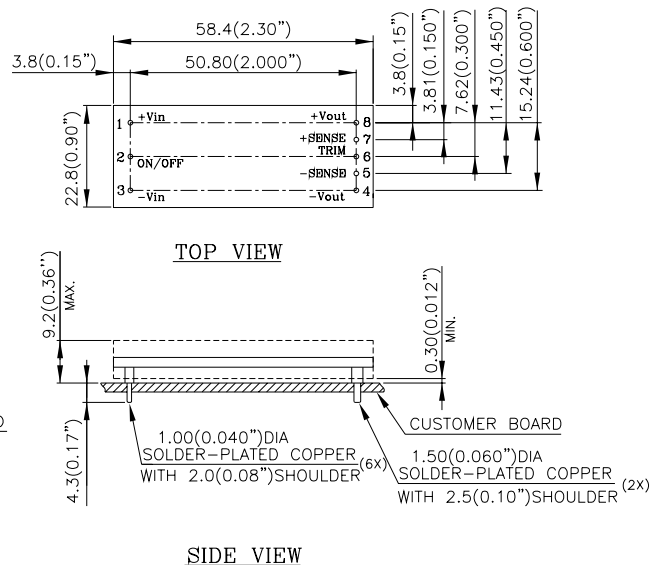
MODEL NAME	INPUT		OUTPUT		EFF @ 48Vin, 100% LOAD
E36SR3R320NRFA	18V~75V	4.5A	3.3V	20A	88%
E36SR05015NRFA	18V~75V	5A	5.0V	15A	89%

MECHANICAL DRAWINGS

Surface-mount module



Through-hole module



NOTES:
 DIMENSIONS ARE IN MILLIMETERS AND (INCHES)
 TOLERANCES: X.Xmm±0.5mm(X.XX in.±0.02 in.)
 X.XXmm±0.25mm(X.XXX in.±0.010 in.)

CONTACT: www.delta.com.tw/dc dc

USA:
 Telephone:
 East Coast: (888) 335 8201
 West Coast: (888) 335 8208
 Fax: (978) 656 3964
 Email: DCDC@delta-corp.com

Europe:
 Phone: +41 31 998 53 11
 Fax: +41 31 998 53 53
 Email: DCDC@delta-es.com

Asia & the rest of world:
 Telephone: +886 3 4526107 ext 6220
 Fax: +886 3 4513485
 Email: DCDC@delta.com.tw

WARRANTY

Delta offers a two (2) year limited warranty. Complete warranty information is listed on our web site or is available upon request from Delta. Information furnished by Delta is believed to be accurate and reliable. However, no responsibility is assumed by Delta for its use, nor for any infringements of patents or other rights of third parties, which may result from its use. No license is granted by implication or otherwise under any patent or patent rights of Delta. Delta reserves the right to revise these specifications at any time, without notice.

Free Manuals Download Website

<http://myh66.com>

<http://usermanuals.us>

<http://www.somanuals.com>

<http://www.4manuals.cc>

<http://www.manual-lib.com>

<http://www.404manual.com>

<http://www.luxmanual.com>

<http://aubethermostatmanual.com>

Golf course search by state

<http://golfingnear.com>

Email search by domain

<http://emailbydomain.com>

Auto manuals search

<http://auto.somanuals.com>

TV manuals search

<http://tv.somanuals.com>