

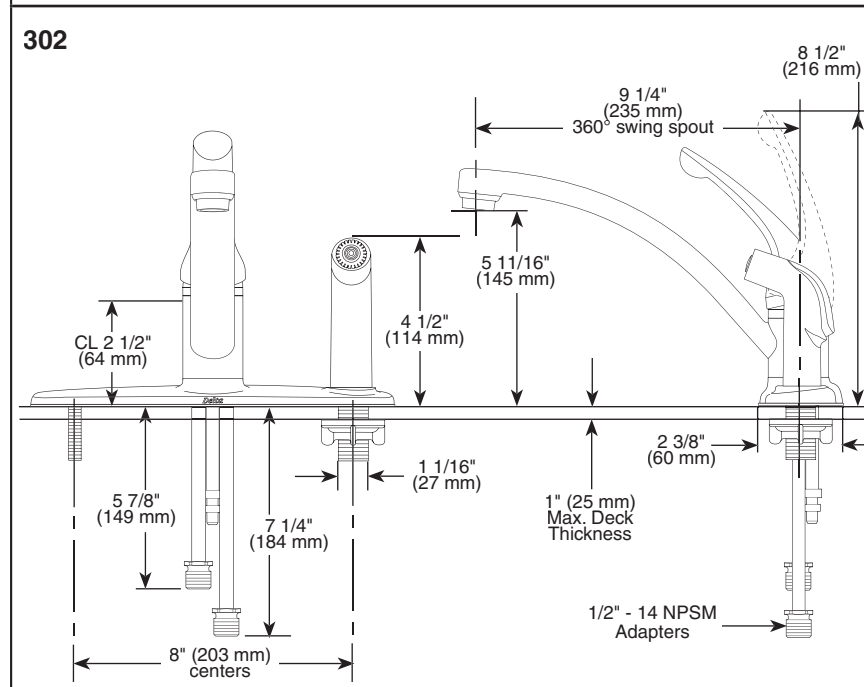
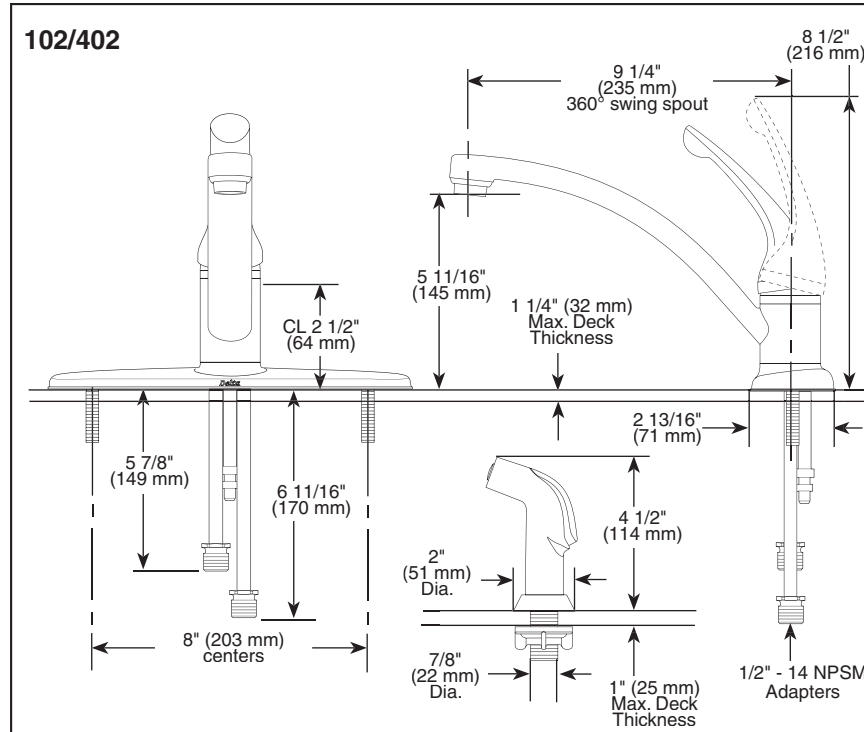
**DELTA**

**KITCHEN FAUCETS**

- Sincerity™ Series
- Single Handle Deck Mount
- 3 and 4 Hole Sink Applications
- Quick Snap® Vegetable Sprayer Hose Installation on Models 302 and 402 Series

Submitted Model No.: \_\_\_\_\_

Specific Features: \_\_\_\_\_



**STANDARD SPECIFICATIONS:**

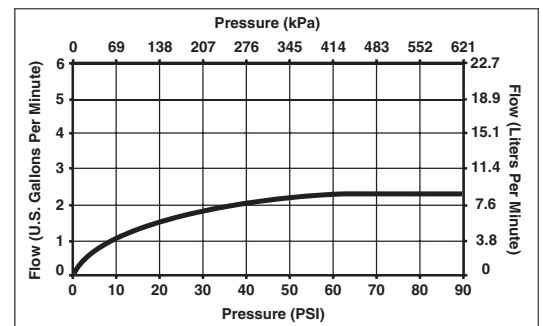
- Solid brass fabricated body.
- 9 1/4" (235 mm) long spout swings 360°.
- Lever handle shall return to neutral position when faucet is turned off.
- Red and blue button on handle.
- Control mechanism shall be of the rotating stainless steel ball type with replaceable non-metallic seats operating in stainless steel lined sockets.
- Models 302 and 402 series with spray attachment have anti-siphon device as integral part of valve body.
- Quick Snap® vegetable sprayer hose with matching finish sprayhead on models 302 and 402 series - 45" (1143mm) long hose.
- 3/8" O.D. straight, staggered copper supply tubes - 5 7/8" (149 mm) and 6 11/16" (170 mm) long supplied with 1/2"-14 NPSM adapters.

**WARRANTY**

- Lifetime Faucet and Finish Limited Warranty to the original consumer purchaser to be free from defects in material and workmanship.
- 5 Year Limited Warranty for usage in all industrial, commercial and business applications.

**COMPLIES WITH:**

- ASME A112.18.1 / CSA B125.1
- Indicates ADA compliance to ICC/ANSI A117.1
- IAPMO Listed
- CSA Certified



**DELTA**  
FAUCET COMPANY

55 E. 111th Street, Indianapolis, Indiana 46280  
395 Matheson Blvd. E., Mississauga, ON L4Z 2H2  
© 2007 Masco Corporation of Indiana

Delta reserves the right (1) to make changes in specifications and materials, and (2) to change or discontinue models, both without notice or obligation. Dimensions are for reference only. See current full-line price book or www.specselect.com for finish options and product availability.  
DSP-K-102 Rev. A

## Free Manuals Download Website

<http://myh66.com>

<http://usermanuals.us>

<http://www.somanuals.com>

<http://www.4manuals.cc>

<http://www.manual-lib.com>

<http://www.404manual.com>

<http://www.luxmanual.com>

<http://aubethermostatmanual.com>

Golf course search by state

<http://golfingnear.com>

Email search by domain

<http://emailbydomain.com>

Auto manuals search

<http://auto.somanuals.com>

TV manuals search

<http://tv.somanuals.com>