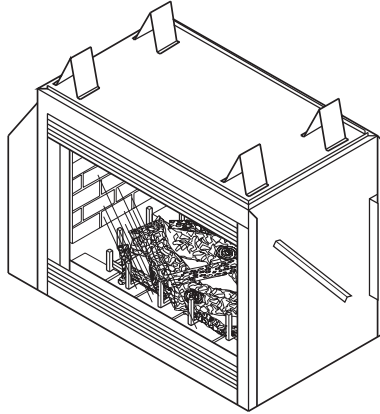


VANGUARD®

DIRECT-VENT GAS FIREPLACE OWNER'S OPERATION AND INSTALLATION MANUAL

This fireplace meets the construction and safety standards of H.U.D. for application in mobile homes when installed according to these instructions.

This appliance is shipped ready for natural gas installation. The propane/LP conversion parts are included.



MDVFST (See Thru) fireplace with manual variable blower, ON/OFF hand-held remote control, electrical junction box, gas flex line and equipment shutoff valve.

WARNING: If the information in these instructions is not followed exactly, a fire or explosion may result causing property damage, personal injury, or loss of life.

- Do not store or use gasoline or other flammable vapors and liquids in the vicinity of this or any other appliance.
- WHAT TO DO IF YOU SMELL GAS :
 - Do not try to light any appliance.
 - Do not touch any electrical switch;
 - Do not use any phone in your building.
 - Immediately call your gas supplier from a neighbor's phone. Follow the gas supplier's instructions.
 - If you cannot reach your gas supplier, call the fire department.
- Installation and service must be performed by a qualified installer, service agency, or the gas supplier.

SAVE THIS BOOK

This book is valuable. In addition to instructing you on how to install and maintain your appliance, it also contains information that will enable you to obtain replacement parts or optional accessory items when needed. Keep it with your other important papers.

WARNING: Improper installation, adjustment, alteration, service, or maintenance to this appliance can cause injury or property damage. Refer to this manual. For assistance or additional information consult a qualified installer, service agency, or the gas supplier.

WARNING: This direct-vent gas fireplace series is intended for use with Natural or Propane/LP gas only. Do not attempt to burn any solid fuels in these appliances.

CHECK LOCAL CODES PRIOR TO INSTALLATION

This appliance may be installed as an OEM installation in a manufactured (mobile) home and must be installed in accordance with the manufacturer's instructions and the Manufactured Home Construction and Safety Standard, *Title 24 CFR, Part 3280* in the United States or the Mobile Home Standard, *CAN/CSA Z240 MH Series*, in Canada.

This appliance is only for use with the type of gas indicated on the rating plate. A conversion kit is supplied with the appliance.

Save this manual for future reference.

VANGUARD

MDVFST DIRECT-VENT GAS FIREPLACE

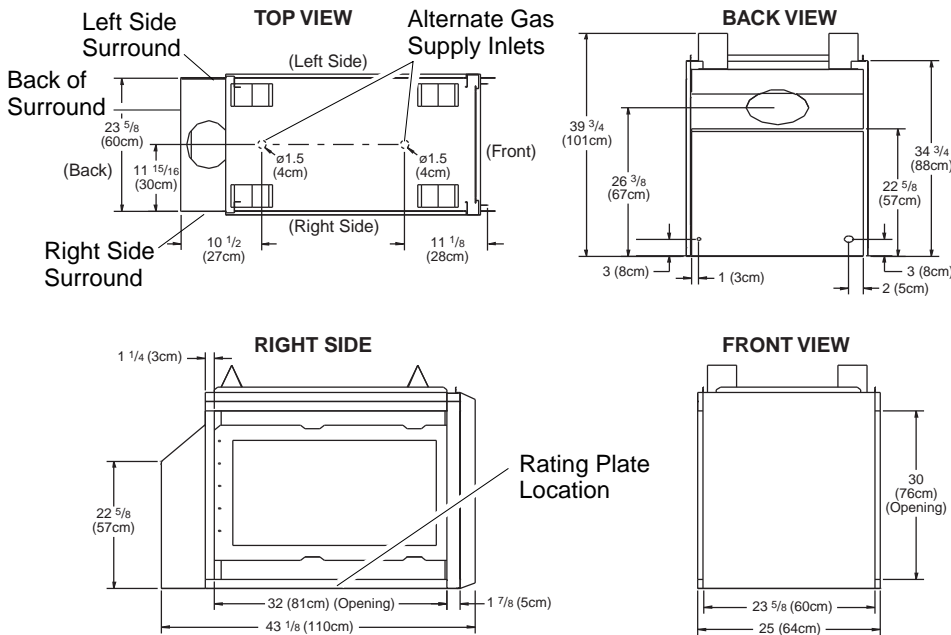


Figure 1 - MDVFST (See Thru) Dimensions

Note: All dimensions in this manual are in inches unless otherwise specified.

GLOSSARY OF TERMS

Chase - A boxlike enclosure to protect venting from the elements when the venting run is on the outside of a structure.

Mastic - A pliable sealant for use around the vent terminal.

Snorkel Termination - A box that raises the horizontal termination above ground level clearances.

Vent Terminal - Mounted on an outside wall or roof to separate the inlet and outlet of the vent system and protect it from weather.

Vinyl Siding Standoff - A metal box that separates the vent cap from vinyl siding.

Wall Thimble/Firestop - A metal plate used to secure the vent pipe when it passes through a wall or ceiling.

INTRODUCTION

Model MDVFST is a two-sided direct-vent gas fireplace with a sealed combustion chamber.

Model MDVFST is specifically designed for use in manufactured (mobile) homes. This appliance uses a millivolt gas control valve and a millivolt ignition system. The

fireplace includes a manual variable blower, electrical junction box, flexible gas line, equipment shutoff valve, and an ON/OFF hand-held remote control. Model MDVFST is convertible with the fireplace factory setup as natural gas. For details on conversion, see pages 21 and 22.

NOTICE: Check local building codes for area requirements before installing this appliance.

If you have any doubts as to which gas your particular appliance is approved and tested for, please check the CSA/AGA/CGA rating plate located at the interior of the appliance opening or consult your local distributor (see Figure 1).

BEFORE YOU BEGIN

Before beginning the installation of this appliance, read these instructions through completely.

This DESA appliance and its approved components are safe when installed according to this installation manual and operated as recommended by DESA. Unless you use DESA approved components tested for this appliance, **YOU MAY CAUSE A SAFETY HAZARD!**

The DESA warranty will be voided by, and DESA disclaims any responsibility for the following actions:

- Modification of the appliance or any of the components manufactured by DESA unless otherwise permitted in writing by DESA.
- The use of any components part not approved by DESA in combination with this DESA appliance.
- Installation and/or operation in a manner other than instructed in this manual.
- The burning of anything other than the type of gas approved for use in this gas appliance.

This appliance, when installed, must be electrically grounded in accordance with local codes, or in the absence of local codes, with the *National Electrical Code, ANS/NFPA 70* or the *Canadian Electrical Code, CSA C22.1*.

The installation must conform with local codes or, in the absence of local codes, with the *National Fuel Gas Code, ANS Z223.1* or the *Canadian Installation Code, CAN/CGAB149*.

This appliance complies with *ANS Z21.50-1998/CSA 2.22-M48* as a VENTED GAS FIREPLACE. It is listed and tested by CSA.

NOTICE: This appliance is intended to be used only for supplemental heat.

WARNING: Installation and repair must be done by a qualified installer/service person. The appliance should be inspected before use, and at least annually thereafter by a qualified service person. More frequent cleaning may be required due to excessive lint from carpeting, bedding, material, pet hair, etc. It is imperative that the control compartments, burners, and circulating air systems be kept clean.

SELECTING LOCATION

To determine the safest and most efficient location for your appliance, consider the following guidelines:

1. The location must allow for proper clearances (see *Clearances*).
2. Consider a location where heat output would not be affected by drafts, air conditioning ducts, windows, or doors.
3. A location that avoids the cutting of joists or roof rafters makes installation easier.

In selecting a location, the following precautions must be observed:

1. A projection may be ideal for a new addition on an existing finished wall. See *Horizontal Termination Configuration*, page 9, or *Vertical Termination Configuration*, pages 10 through 12.
2. Do not locate appliance close to where gasoline or other flammable liquids may be stored. The appliance must be kept clear and free from combustible materials.
3. Do not connect this appliance to a chimney system used for solid fuel burning fireplace.
4. Due to high temperatures, do not locate this appliance in high traffic areas or near furniture and draperies.
5. This fireplace may be installed in bedrooms or bathrooms in accordance with local codes.
6. Never obstruct the openings of the appliance or flow of ventilation air. Keep the control compartments accessible.
7. Do not use this appliance if any part has been under water. Immediately contact a local service technician to examine the appliance and to replace any part(s) of the control ignition system and other related components that have submerged under water.

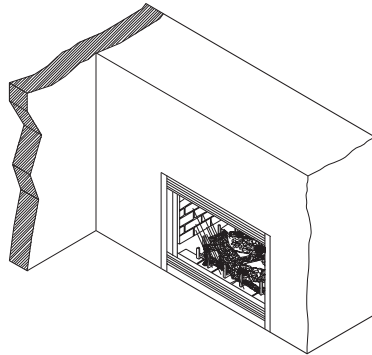


Figure 2 - Possible Installation of See-Thru Fireplace

PRE-INSTALLATION PREPARATION

CLEARANCES

Minimum clearances to combustibles are:

- Back and Sides of Fireplace: 0" min.
- Vent Surfaces: 1" (2.5cm) min.
- Ceiling to Top of Opening: 36" (91cm) min.
- Floor: 0" min.
- Wall to Front of Glass: 36" (91cm) min.
- Perpendicular Wall to Opening of Unit: 2" (5cm) min.
- Top Spacer: 0" min.

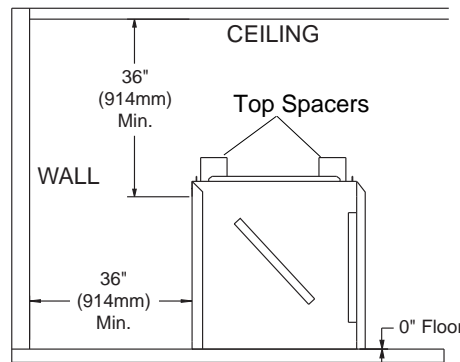


Figure 3 - Minimum Clearances

⚠ CAUTION: Do not block required air spaces with insulation or any other material. Do not obstruct the effective opening of the appliance with any type of facing material.

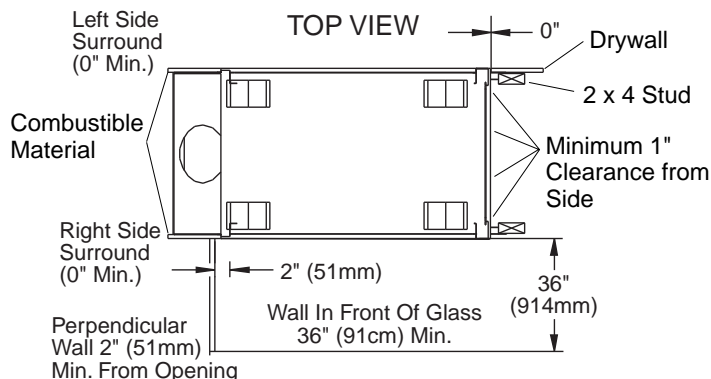


Figure 4 - Minimum Clearances

Continued

VANGUARD

MDVFST DIRECT-VENT GAS FIREPLACE

PRE-INSTALLATION PREPARATION

Continued

MANTEL CLEARANCES

Woodwork, such as wood trims, mantels, and other combustible materials projecting no more than 1 1/2 inches (3.8cm) shall not be placed within 7 inches (17.8cm) from the opening of the unit. Combustible material above and projecting more than 1 1/2 inches (3.8cm) from the appliance's face must not be placed less than 15 inches (38.1cm) from the louver opening (see Figure 5).

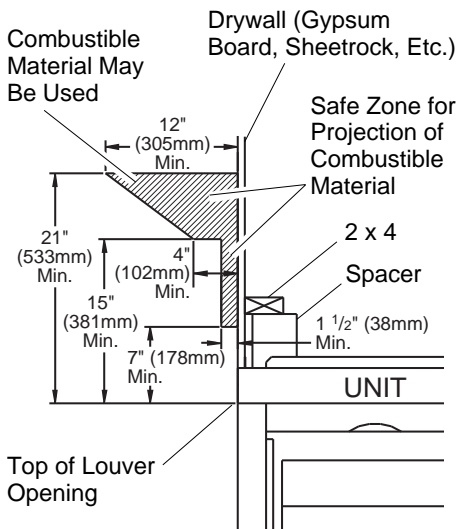


Figure 5 - Mantel Clearances

FRAMING

Once the final location has been determined, observing height clearances for vent termination, you may construct framing using dimensions shown in Figure 6, depending on your installation.

If the appliance is to be installed directly on carpeting, tile (other than ceramic), or any combustible material other than wood flooring, the appliance must be installed on a metal or wood panel extending the full width and depth of the appliance. There are three holes on each side of the bottom of the unit where screws can be used to secure the unit to the floor.

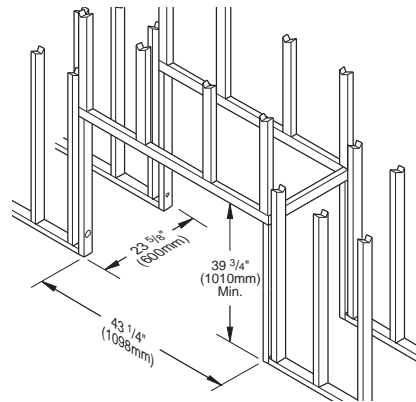


Figure 6 - Rough Opening for Installing See Thru Fireplace

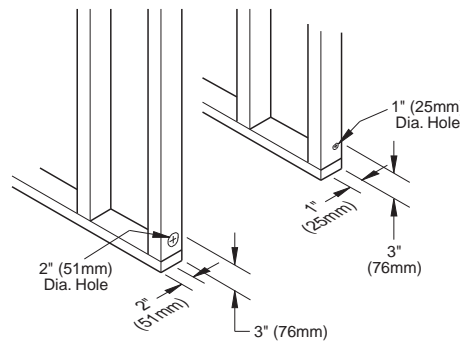


Figure 7 - Hole Locations For Gas Line and Electric Wires

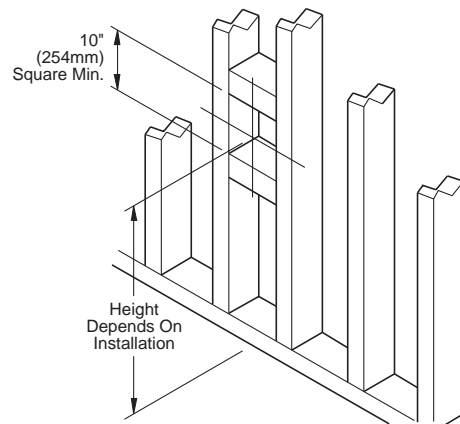


Figure 8 - Rough Opening for Installing Exterior Vent Terminal

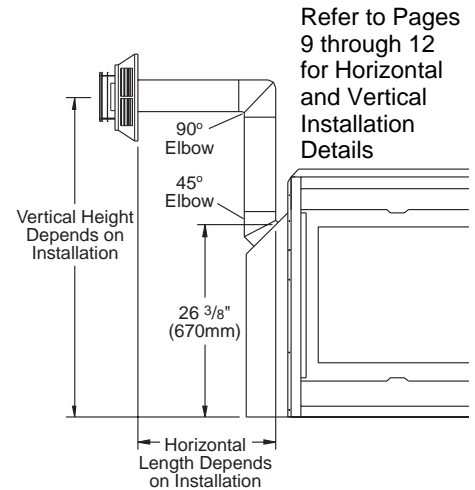


Figure 9 - Vent Opening Height

GENERAL VENTING

Note: Terminations are not designed for installation prior to transportation.

These models are approved for use with both flex and rigid Vanguard vent components as well as Simpson Dura-Vent 6 5/8" direct-vent pipe components and terminations.

Your fireplace is approved to be vented either through the side wall, or vertically using the following guidelines:

- Only use Vanguard or Simpson Dura-Vent GS venting components or kits specifically approved for this fireplace.
- Minimum clearance between vent pipes and combustible materials is 1" (25 mm), except where stated otherwise.
- Combustible material may be flush with the top front of fireplace with a maximum thickness of 3/4".
- Do not recess venting terminals into a wall or siding.
- Install horizontal venting with a 1/4" rise for every 12" of run toward the termination.
- You may paint the vent terminal with 450°F (232°C) heat-resistant paint to coordinate with the exterior finish.
- There must not be any obstruction such as bushes, garden sheds, fences, decks, or utility buildings within 24" from the front of the termination cap.
- Do not locate termination cap where excessive snow or ice build up may occur. Be sure to clear vent termination area after snow falls to prevent accidental blockage of venting system. When using snow blowers, do not direct snow towards vent termination area.

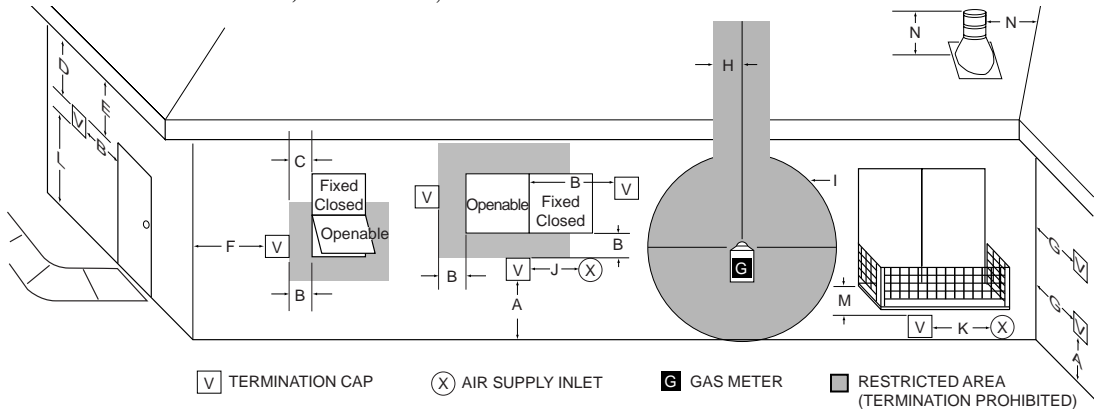
GENERAL VENTING

Continued

LOCATION OF VENT TERMINATION

When locating vent termination, it is important to observe the minimum clearances shown in Figure 10. You will avoid extra framing by positioning your fireplace against an already existing framing member. The sides of the fireplace may be positioned directly against combustible walls.

*Check with local codes or with the current *CAN/CGA B149 [1 or 2] Installation Codes* for Canada or the USA Installations follow the current *National Fuel Gas Code, ANS Z223.1*, also known as NFPA 54.



- V** TERMINATION CAP **X** AIR SUPPLY INLET **G** GAS METER **■** RESTRICTED AREA (TERMINATION PROHIBITED)
- A = clearance above grade, veranda, porch, deck, or balcony [12 inches (305mm) minimum]
 - B = clearance to window or door that may be opened [12 inches (305mm) minimum]
 - C = clearance to permanently closed window [minimum 12 inches (305mm) recommended to prevent condensation on window]
 - D = vertical clearance to ventilated soffit located above the terminal within a horizontal distance of 24 inches (610mm) from the center-line of the terminal [18 inches (457mm) minimum]
 - E = clearance to unventilated soffit [12 inches (305mm) minimum]
 - F = clearance to outside corner (see below)
 - G = clearance to inside corner (see below)
 - H = *not to be installed above a meter/regulator assembly within 36 inches (914mm) horizontally from the center-line of the regulator
 - I = clearance to service regulator vent outlet [72 inches (1829mm) minimum]
 - J = clearance to non-mechanical air supply inlet to building or the combustion air inlet to any other fireplace [12 inches (305mm) minimum]
 - K = clearance to a mechanical air supply inlet [72 inches (1829mm) minimum]
 - L = † clearance above paved side-walk or a paved driveway located on public property [84 inches (2133mm) minimum]
 - M = clearance under veranda, porch, deck [12 inches (305mm) minimum ‡]
 - N = clearance above a roof shall extend a minimum of 24 inches (610mm) above the highest point when it passes through the roof surface and any other obstruction within a horizontal distance of 18 inches (457mm)
- † vent shall not terminate directly above a side-walk or paved driveway which is located between two single family dwellings and serves both dwellings*
 ‡ only permitted if veranda, porch, deck or balcony is fully open on a minimum of 2 sides beneath the floor*
 * as specified in CAN/SGA B149 (.1 or .2) Installation Codes (1991) for Canada or for U.S.A. installation follow the current *National Fuel Gas Code, ANS Z223.1*
 Note: Local codes or regulations may require different clearances

Termination Clearances for Buildings with Combustible and Noncombustible Exteriors

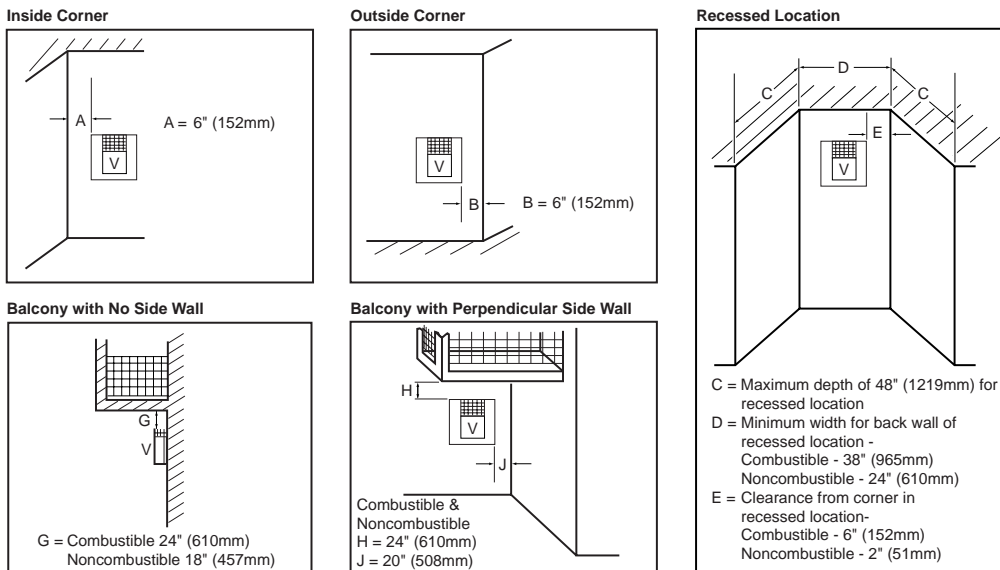


Figure 10 - Minimum Clearances for Vent Terminations

VANGUARD

MDVFST DIRECT-VENT GAS FIREPLACE

VENTING INSTALLATION

⚠ WARNING: Read all instructions completely and thoroughly before attempting installation. Failure to do so could result in serious injury, property damage or loss of life. Operation of improperly installed and maintained venting system could result in serious injury, property damage or loss of life.

⚠ WARNING: Seal all vent connections. Seal only the outer pipe connections high temperature silicone (600°F/316°C). Before joining elbows and pipes, apply a bead of high temperature silicone sealant (GE RTV 106/Loctite RTV 81585) to the male end of the elbow or pipe. High temperature silicone must also be used to reseal any connections after maintenance to venting system.

NOTICE: Failure to follow these instructions will void the warranty.

INSTALLATION PRECAUTIONS

Consult local building codes before beginning the installation. The installer must make sure to select the proper vent system for installation. Before installing vent kit, the installer must read this fireplace manual and vent kit instructions.

Only a qualified installer or service person should install venting system. The installer must follow these safety rules:

- Wear gloves and safety glasses for protection
- Use extreme caution when using ladders or when on roof tops
- Be aware of electrical wiring locations in walls and ceilings

The following actions will void the warranty on your venting system:

- Installation of any damaged venting component
- Unauthorized modification of the venting system
- Installation of any component part not manufactured or approved by DESA International
- Installation other than as instructed by these instructions

⚠ WARNING: This gas fireplace and vent assembly must be vented directly to the outside. The venting system must NEVER be attached to a chimney serving a separate solid fuel burning appliance. Each gas appliance must use a separate vent system. Do not use common vent systems.

⚠ WARNING: Horizontal sections of this vent system require a minimum clearance of 2" from the top of the vent pipe and 1" minimum to the sides and bottom. Vertical sections of this system require a minimum of 1" clearance to combustible materials on all sides of the vent pipe.

INSTALLATION PLANNING

There are two basic types of direct-vent installation:

- Horizontal Termination
- Vertical Termination

It is important to select the proper length of vent pipe for the type of termination you choose. It is also important to note the wall thickness.

For Horizontal Termination: Select the amount of vertical rise desired. The horizontal run of venting must have 1/4" rise for every 12" of run towards the termination.

A MDVGFK ground floor horizontal vent kit is specifically designed for common horizontal installations in manufactured (mobile) homes. Additional horizontal installations are described on page 9. All vent kits and components are listed on page 13.

⚠ WARNING: Never run the vent downward as this may cause excessive temperatures which could cause a fire.

You may use one or two 90° elbows in a horizontal vent configuration. See *Horizontal Termination Configurations* on page 9.

For Vertical Termination: Measure the distance from the fireplace flue outlet to the ceiling. Add the ceiling thickness, the vertical rise in an attic or second story, and allow for sufficient vent height above the roofline. You may use one or two 90° elbows in a

vertical vent configuration. See *Vertical Termination Configurations* on pages 11 and 12.

Note: You may use two 45° elbows in place of a 90° elbow. You must follow rise to run ratios when using 45° elbows.

The MDV9K 9' vertical vent kit is specifically designed for common vertical installations in manufactured (mobile) homes. Additional vertical installations are described on pages 11 and 12. All vent kits and components are listed on page 13.

For two-story applications, firestops are required at each floor level. If an offset is needed in the attic, additional pipe and elbows will be required.

You may use a chase with a vent termination with exposed pipe on the exterior of the house. See *Installing Vent System in a Chase*, below.

Your Vanguard direct-vent fireplace has been tested for a minimum 3' rise with a maximum 10" wall thickness. The maximum horizontal run is 20' with 8' vertical rise (see *Installation for Horizontal Termination*, pages 7 through 9). The maximum vertical run is 40' (see *Installation for Vertical Termination*, page 10 through 12).

It is very important that the venting system maintain its balance between the combustion air intake and the flue gas exhaust. Certain limitations apply to vent configurations and must be strictly followed.

Installing Vent System in a Chase

A chase is a vertical boxlike structure built to enclose venting that runs along the outside of a building. A chase is not required for such venting.

NOTICE: Treatment of firestops and construction of the chase may vary from building type to building type. These instructions are not substitutes for the requirements of local building codes. You must follow all local building codes.

Note: When installing in a chase, you should insulate the chase as you would the outside walls of your home. This is especially important in cold climates. Minimum clearance between vent pipes and combustible materials such as insulation is 1".

After framing the chase (see *Framing* on page 4) install the vent system by following the installation instructions.

VENTING INSTALLATION

Continued

INSTALLATION FOR HORIZONTAL TERMINATION

1. Determine the route your horizontal venting will take. *Note:* The location of the horizontal vent termination on the exterior wall must meet all local and national building codes and must not be easily blocked or obstructed.

⚠ WARNING: Do not recess vent terminal into a wall or siding.

Snorkel terminations are available for terminations requiring a vertical rise on the exterior of the building (see Figures 11 and 12). Snorkel kit SVK is also available (see page 13). Follow the same installation procedures used for standard horizontal terminations. If installing the snorkel termination below grade (basement applications), you must provide proper drainage to prevent water from entering the snorkel termination (see Figure 12). Do not back fill around the snorkel termination.

2. Rigid vent pipes and fittings have special twist-lock connections. Assemble the desired combination of pipe and elbows to the appliance adaptor with pipe seams oriented towards the wall or floor.

Twist-lock Procedure: The female ends of the pipes and fittings have four locking lugs (indentations). These lugs will slide straight into matching slots on the male ends of adjacent pipes and fittings. (All connections must be sealed with high temperature silicone sealant as specified in the second warning statement on page 6.) Push the pipe sections together and twist one section clockwise approximately one-quarter turn until the sections are fully locked. See Figure 13, page 8. *Note:* Horizontal runs of vent must be supported every three feet. Use wall straps for this purpose.

Flexible vent pipe must be installed with spacer springs every 12". See Figure 13, page 8. All connections must be clamped tightly and sealed with high temperature silicone sealant as specified in the second warning statement on page 6.

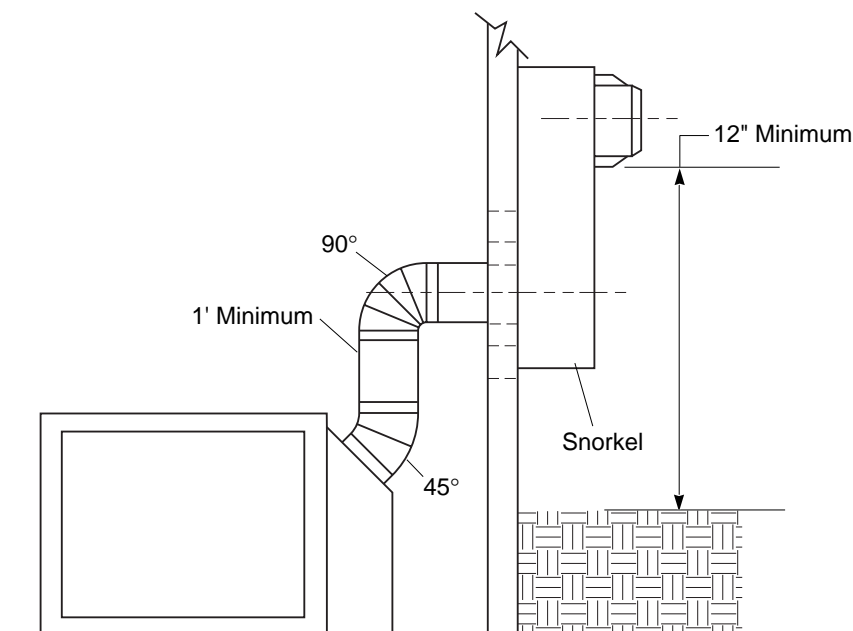


Figure 11 - Snorkel Termination

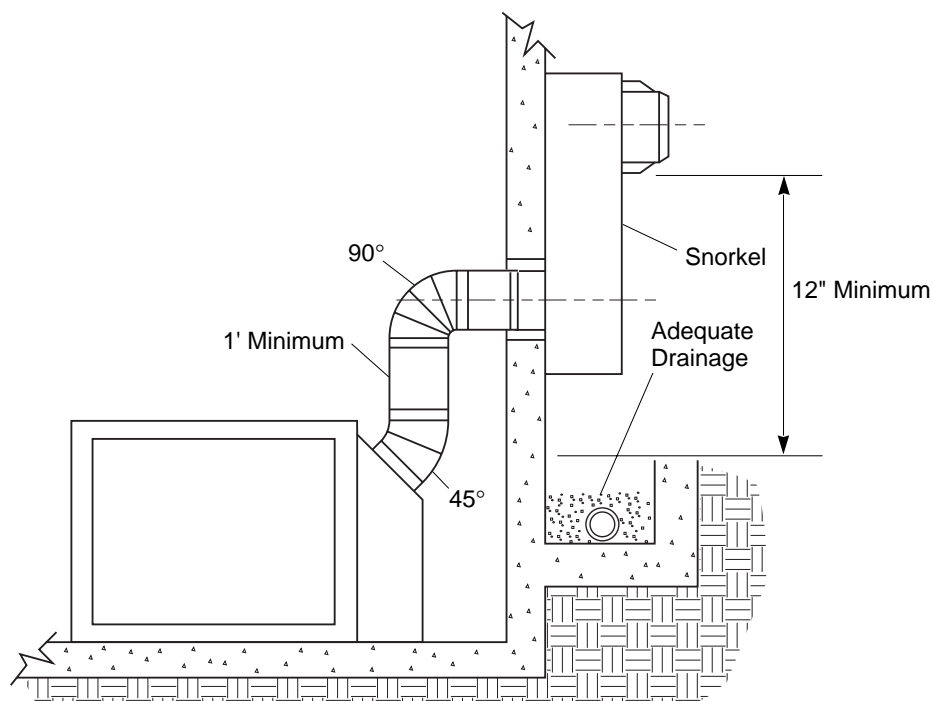


Figure 12 - Snorkel Termination with Drainage Pipe

Continued

VENTING INSTALLATION

Continued

3. Attach vent pipe assembly to the fireplace. Set fireplace in front of its permanent location to insure minimum clearances. Mark the wall for a 10" square hole (for noncombustible material such as masonry block or concrete, a 7 1/2" diameter hole is acceptable). See Figure 14. The center of the hole should line up with the centerline of the horizontal rigid vent pipe. Cut a 10"x10" (254mm x 254mm) square hole through combustible exterior wall (7 1/2" [190mm] diameter hole if noncombustible). Frame as necessary (see Figure 14).

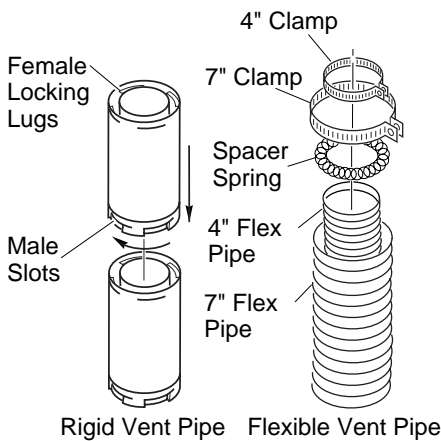


Figure 13 - Vent Pipe Connections

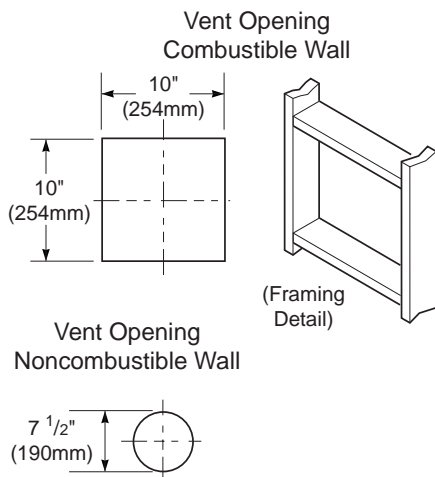


Figure 14 - Vent Opening Requirements

4. Apply a bead of non-hardening mastic around the outside edge of the vent cap. Position the vent cap in the center of the 7 1/2" or 10" hole on the exterior wall with the arrow on the vent cap pointing up. Insure proper clearance of 1" to combustibles is maintained. Attach the vent cap with four wood screws supplied (see Figure 15). **Note:** Replace the wood screws with appropriate fasteners for stucco, brick, concrete, or other types of siding.

WARNING: Do not recess vent termination in to any wall. This will cause a fire hazard.

For vinyl or stucco siding use vinyl siding standoffs between vent cap and exterior wall. The vinyl siding standoff prevents excessive heat from melting the vinyl siding material. Bolt the vent cap to the standoff. Apply non-hardening mastic around outside edge of the standoff instead of the vent cap assembly. Use wood screws provided to attach the standoff. See Figure 16.

5. Slide the wall thimble over the vent pipe before connecting the horizontal run to the vent cap (see Figure 17).

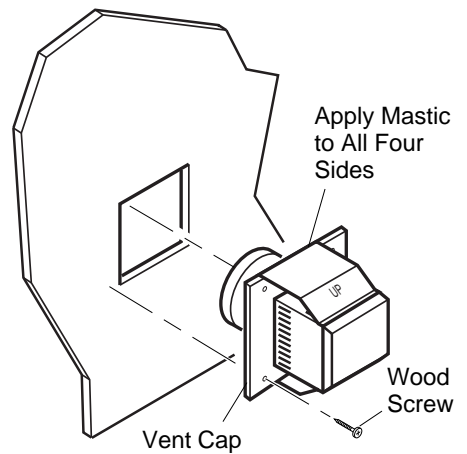


Figure 15 - Installing Horizontal Vent Cap

6. Carefully move the fireplace with vent assembly attached toward the wall and insert the vent pipe into the horizontal termination. The pipe overlap should be a minimum of 1 1/4". Apply silicone to the outer pipe connection. Fasten all vent connections with screws provided. Refer to *Framing* on page 4 for instructions on securing unit to framing or floor.

7. Slide the wall thimble against the interior wall surface and attach with screws provided (see Figure 17).

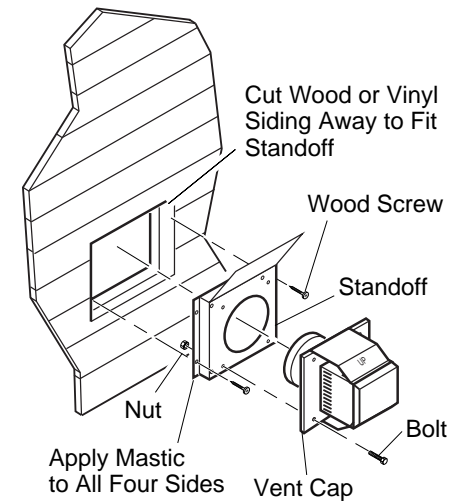


Figure 16 - Installing Vinyl Siding Standoff

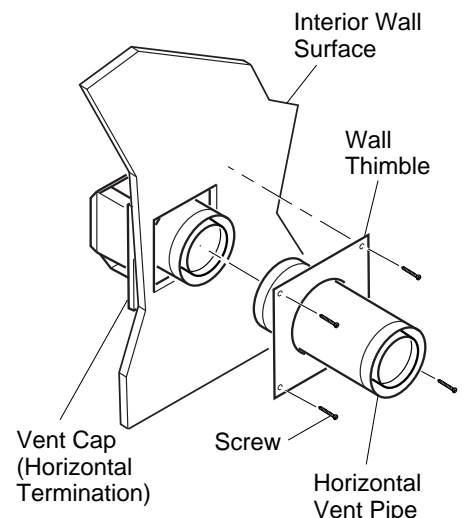


Figure 17 - Connecting Vent Cap with Horizontal Vent Pipe

OWNER'S MANUAL

VENTING INSTALLATION

Continued

Horizontal Termination Configurations

Figures 18 through 20 show different configurations for venting with horizontal termination. Each figure includes a chart with vertical minimum/maximum and horizontal maximum dimensions which must be met. All connections must be sealed with high temperature silicone sealant (outer pipe only) as specified in the second warning statement on page 6. All horizontal terminations require 1/4" rise per 12" of horizontal run.

(MDVGFK Kit Shown) Horizontal Venting

Vertical (V)	Horizontal (H)
49.5" min.	15" max.
(45° elbow, 1' vertical pipe, 90° elbow)	
61.5" min.	34" max.
73.5" min.	58" max.
85.5" min.	10' max.
102.5" min.	20' max.

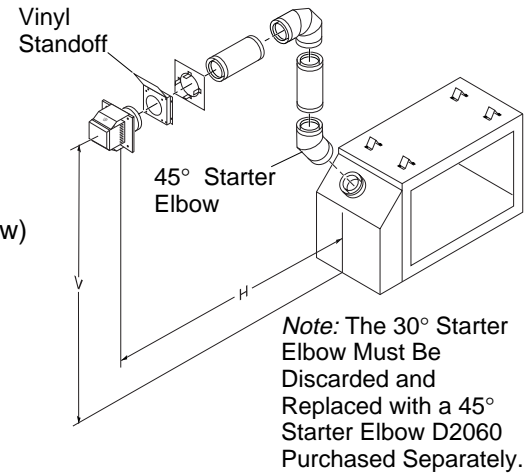


Figure 18 - Horizontal Termination Configuration for Rigid Venting Using One 90° Elbow

Horizontal Venting

See information in Figure 18 for Vertical (V) and Horizontal (H) maximums and minimums. The same amounts apply for flexible venting.

Note: If your installation has wood or vinyl siding, you must install the wood/vinyl siding standoff D5000

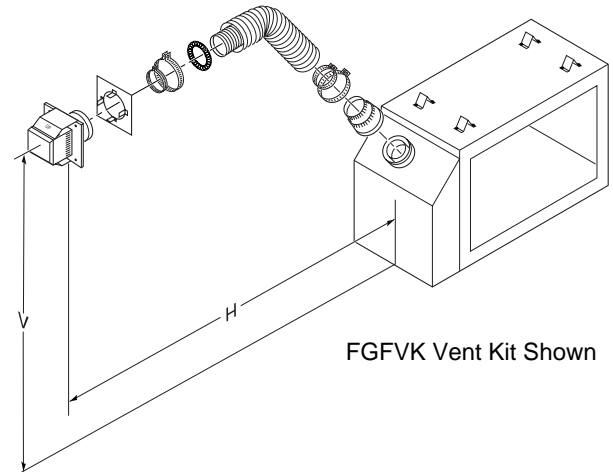


Figure 19 - Horizontal Termination Using Flexible Venting

Venting with Two 90° Elbows

Vertical (V)	Horizontal (H ₁) + Horizontal (H ₂)
5' min.	4' max.
6' min.	8' max.
7' min.	10' max.
8' min.	15' max.
20' max.	20' max.

Note: If your installation has wood or vinyl siding, you must install the wood/vinyl siding standoff D5000

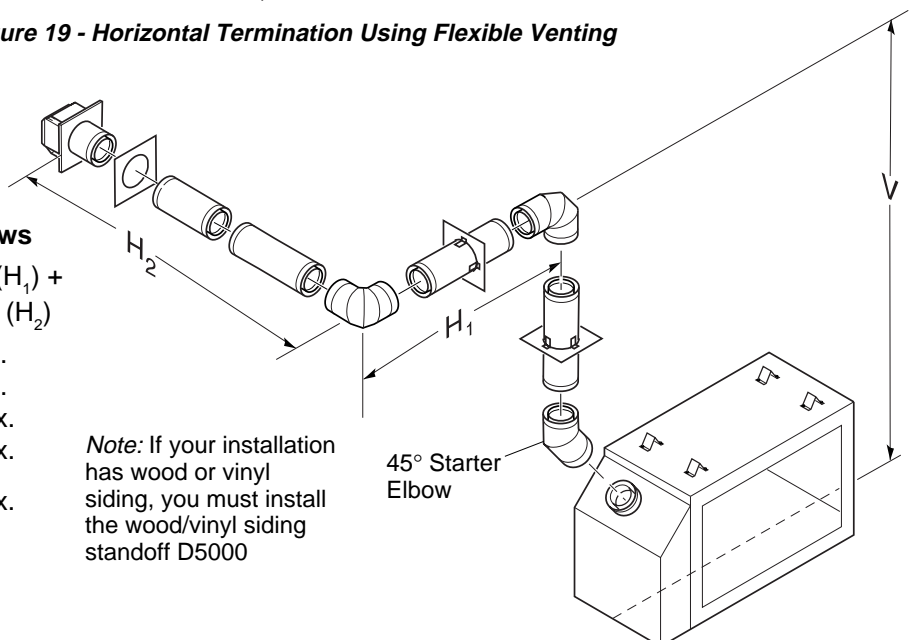


Figure 20 - Horizontal Termination Configuration for Rigid Venting Using Two 90° Elbows with Termination at 90° with Fireplace
Continued

VENTING INSTALLATION

Continued

INSTALLATION FOR VERTICAL TERMINATION

NOTICE: Use rigid pipe only. Flex venting is NOT to be used with a vertical termination.

1. Determine the route your vertical venting will take. If ceiling joists, roof rafters, or other framing will obstruct the venting system, consider an offset (see Figure 21) to avoid cutting loadbearing members. *Note:* Pay special attention to these installation instructions for required clearances (air space) to combustibles when passing through ceilings, walls, roofs, enclosures, attic rafters, etc. Do not pack air spaces with insulation. Also note maximum vertical rise of the venting system and any maximum horizontal offset limitations. Offsets must fall within the parameters shown in Figure 10 on page 5.
2. Set the fireplace in desired location. Drop a plumb line down from the ceiling to the position of the fireplace exit flue. Mark the center point where the vent will penetrate the ceiling. Drill a small locating hole at this point.

Drop a plumb line from the inside of the roof to the locating hole in the ceiling. Mark the center point where the vent will penetrate the roof. Drill a small locating hole at this point.

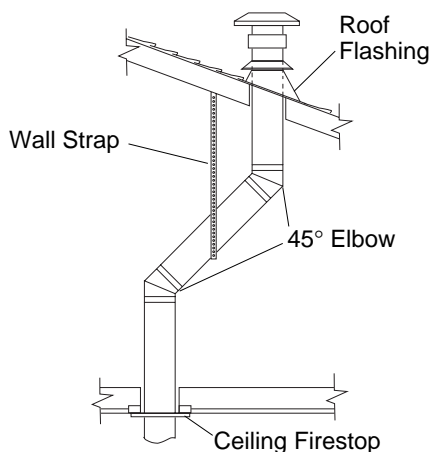
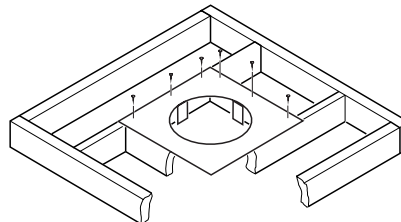


Figure 21 - Offset with Wall Strap and 45°

Flat Ceiling Installation

1. Cut a 10" square hole in the ceiling using the locating hole as a center point. The opening should be framed to 10"x10" (254mm x 254mm) inside dimensions, as shown in Figure 14 on page 8 using framing lumber the same size as the ceiling joists. If the area above the ceiling is an insulated ceiling or a room, nail firestop from the top side. This prevents loose insulation from falling into the required clearance space. Otherwise, install firestop below the framed hole. The firestop should be installed with a minimum of three nails per side (see Figure 21).
2. Assemble the desired lengths of pipe and elbows necessary to reach from the fireplace flue up through the firestop. All connections must be sealed with high temperature silicone sealant as specified in the second warning statement on page 6. Be sure all pipe and elbow connections are fully twist-locked (see Figure 13, page 8).
3. Cut a hole in the roof using the locating hole as a center point. (Cover any exposed open vent pipes before cutting hole in roof.) The 10"x10" hole must be measured on the horizontal; actual length may be larger depending on the pitch of the roof. There must be a 1" clearance from the vent pipe to combustible materials. Frame the opening as shown in Figure 14 on page 8.

If area above is a room, install firestop above framed hole.



If area above is not a room, install firestop below framed hole.

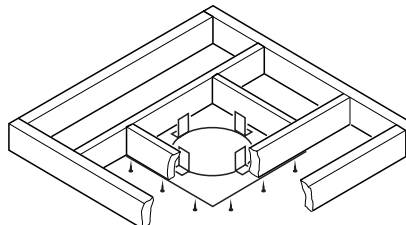


Figure 22 - Installing Firestop

4. Connect a section of pipe and extend up through the hole.
Note: If an offset is needed to avoid obstructions, you must support the vent pipe every 3 feet. Use wall straps for this purpose (see Figure 21). Whenever possible, use 45° elbows instead of 90° elbows. The 45° elbow offers less restriction to the flow of the flue gases and intake air.
5. Place the flashing over the pipe section(s) extending through the roof. Secure the base of the flashing to the roof and framing with roofing nails. Be sure roofing material overlaps the top edge of the flashing as shown in Figure 21. There must be a 1" clearance from the vent pipe to combustible materials.

When installing the flashing on a metal roof we require that putty tape is used between the flashing and the roof. The flashing must be secured to the roof using #8 x 3/4" screws and then sealed with roof coating to prevent leakage through the screw holes. A roof coating must also be applied around the perimeter to provide a proper seal.
6. Continue to add pipe sections until the height of the vent cap meets the minimum building code requirements described in Figure 10 on page 5. *Note:* You must increase vent height for steep roof pitches. Nearby trees, adjoining rooflines, steep pitched roofs, and other similar factors may cause poor draft or down-drafting in high winds. Increasing the vent height may solve this problem.
7. Twist-lock the vent cap onto the last section of vent pipe and seal outer pipe with high temperature silicone sealant as specified in the second warning statement on page 6.

Note: If the vent pipe passes through any occupied areas above the first floor, including storage spaces and closets, you must enclose pipe. You may frame and sheetrock the enclosure with standard construction material. Make sure and meet the minimum allowable clearances to combustibles. Do not fill any of the required air spaces with insulation.

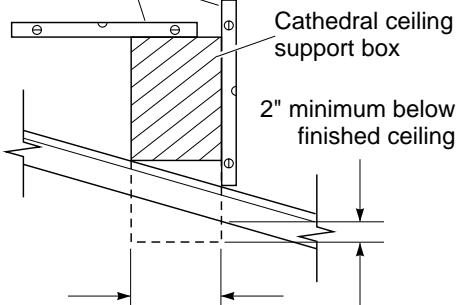
Cathedral Ceiling Installation

1. Remove shingles or other roof covering as necessary to cut the rectangular hole for the support box. Mark the outline of the cathedral ceiling support box on the roof sheathing using the locating hole as a center point.

VENTING INSTALLATION

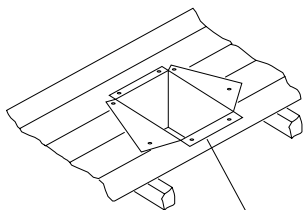
Continued

2. Cut the hole 1/8" larger than the support box outline (see Figure 23, page 11).
3. Lower the support box through the hole in the roof until the bottom of the box extends at least 2" below the ceiling (see Figure 23). Align the support box vertically and horizontally using a level. Temporarily tack the support box in place through the inside walls and into the roof sheathing.
4. Using tin snips, cut the support box from the top corners down to the roofline and fold the resulting flaps over the roof sheathing (see Figure 24). Apply a bead of non-hardening mastic around the top edges of the support box to make a seal between the box and the roof. Nail in place with roofing nails. Remove any combustible material that might be inside of the support box.
5. Complete the cathedral ceiling installation by following the same procedures outlined in steps 2 through 7 for **Attic Ceiling Installation**, page 10.



Cut hole 1/8" larger than support box when projected onto roofline

Figure 23 - Cathedral Ceiling Support Box Installation



Non-hardening Mastic under all edges of support box before nailing

Figure 24 - Installed Cathedral Ceiling Support Box

Vertical Termination Configurations

Figures 25 through 28 show four different configurations for vertical termination. All connections must be sealed with high temperature silicone sealant as specified in the second warning statement on page 6.

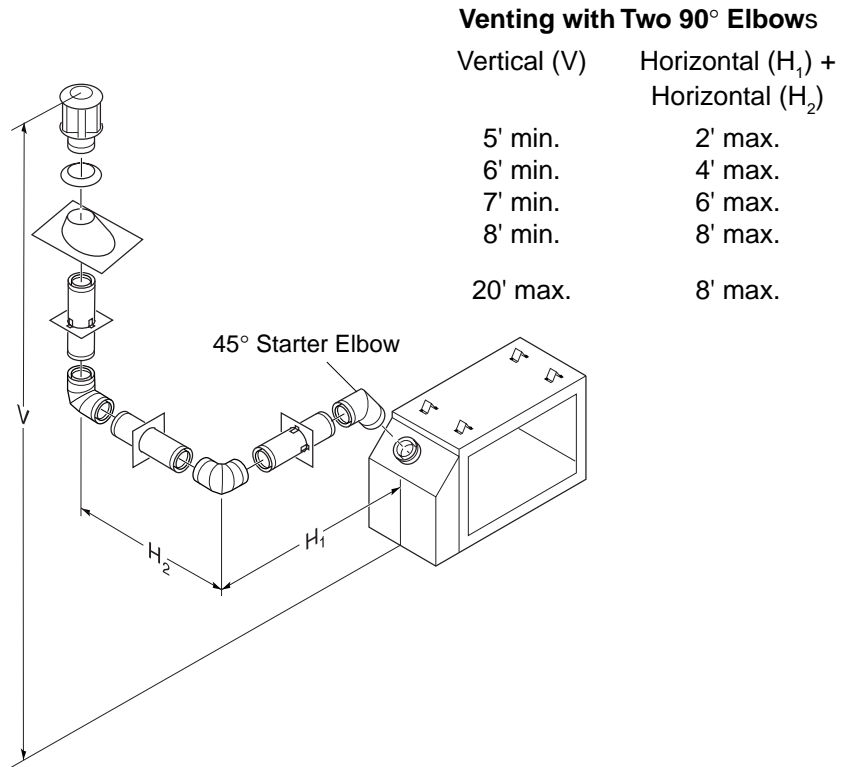


Figure 25 - Vertical Rigid Venting Configuration Using Two 90° Elbows with Two Horizontal Runs

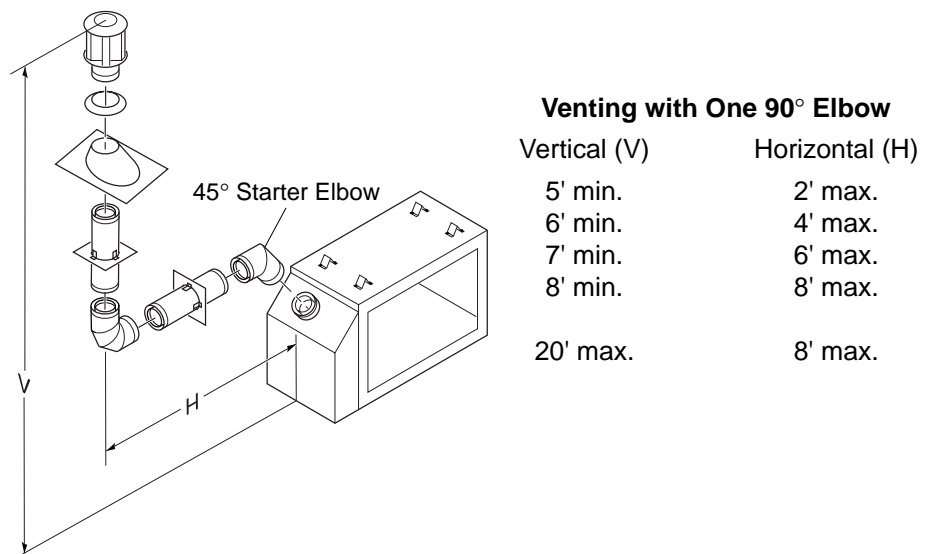


Figure 26 - Vertical Rigid Venting Configuration Using One 90° Elbow

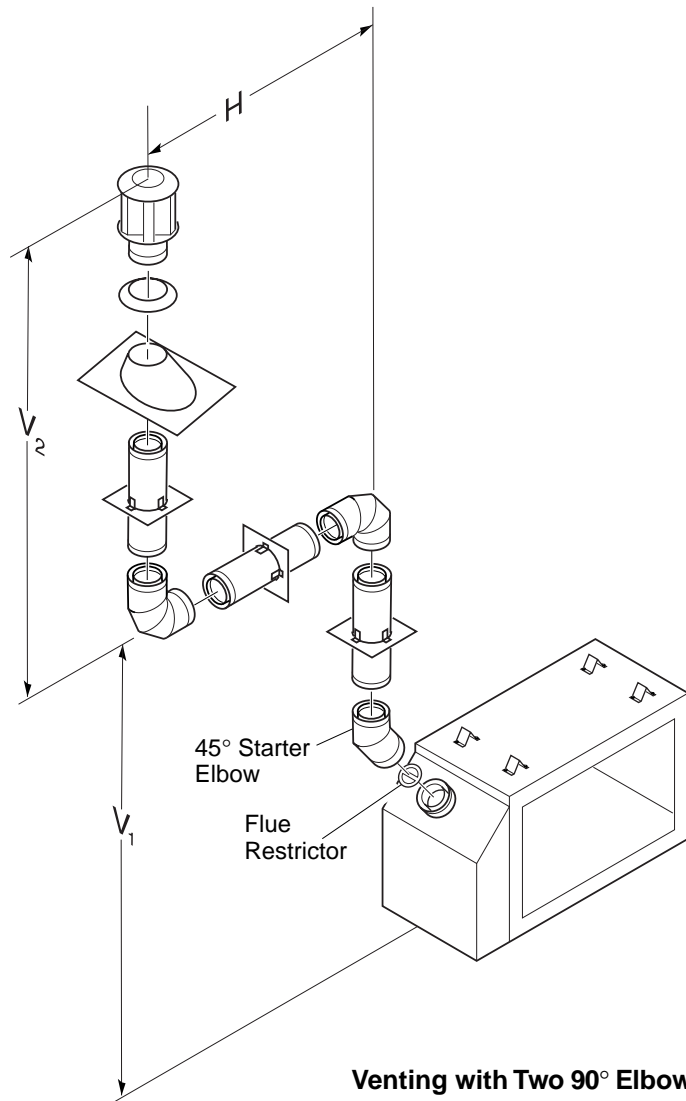
Continued

VANGUARD

MDVFST DIRECT-VENT GAS FIREPLACE

VENTING INSTALLATION

Continued

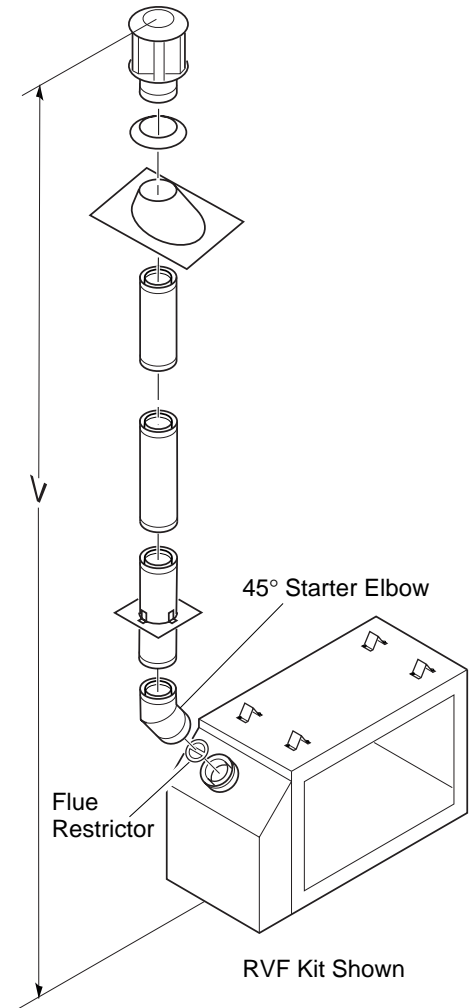


Venting with Two 90° Elbows

Vertical (V_1)	Horizontal (H)
5' min.	6' max.
6' min.	12' max.
7' min.	18' max.
8' min.	20' max.

Note: Vertical (V_1) +
Vertical (V_2) = 20' max.

Figure 27 - Vertical Rigid Venting Configuration Using Two 90° Elbows



Vertical Venting

$V = 40'$ max.

Figure 28 - Vertical Rigid Venting Configuration With No Horizontal Run

OWNER'S MANUAL

VENTING INSTALLATION *Continued*

HIGH ALTITUDE INSTALLATION

Your Vanguard direct-vent fireplace has been CSA/AGA tested and approved for elevations from 0-2000 feet and CGA certified for elevations from 0-4500 feet.

When installing this fireplace at an elevation above 2000 feet (in the USA), you may need to decrease the input rating by changing the existing burner orifice to a smaller size. Reduce input 4% for each 1000 feet above sea level. Check with your local gas company for proper orifice size identification.

When installing this fireplace at an elevation above 4500 feet (in Canada), check with local authorities.

Consult your local gas company to help determine the proper orifice for your location.

For assistance with any high altitude installation contact DESA International's Technical Service Department at 1-800-DESA-LOG (1-800-337-2564).

PARTS LISTS FOR VENTING KITS AND COMPONENTS

Note: Terminations are not designed for installation prior to transportation.

***NOTICE: The 7" x 30° Elbow supplied with kits CVK, BVK, SVK, and RVF cannot be used. IT MUST BE REPLACED WITH A 7" X 45° STARTER ELBOW (D2060) PURCHASED SEPARATELY.**

Vanguard Rigid Venting

Number Description

*MDV9K	9' Vertical Vent Kit Includes one each: 48" Pipe, 36" Pipe, 24" Pipe, 30° Elbow, Firestop, Roof Flashing, Storm Collar, Flue Restrictor Disc, and Vertical Termination Cap
*MDVGFK	Ground Floor Horizontal Vent Kit (Allows horizontal installations that run 49.5" min. vertically and 15" horizontally from the back of the fireplace to the outside wall.) Includes one each: 12" Pipe, 7"-12" Adjustable Pipe, 30° Elbow, 90° Elbow, Firestop, Vinyl Stand-off, and Horizontal Termination Cap

Vanguard Rigid Venting (Cont.)

Number Description

*CVK	Corner Vent Kit (also used for horizontal runs) Includes: 7" x 30° Elbow, 7" x 90° Elbow, 7" Adjustable Galvanized Pipe (7-12"), 6" Pipe, Wall Thimble, Horizontal Termination, RTV Silicone and 20 Screws
*BVK	Basement Rigid Vent Kit Includes: 7" x 30° Elbow, 7" x 4' Galvanized Pipe, 7" x 90° Elbow, 7" Adjustable Galvanized Pipe (7-12"), Wall Thimble, Horizontal Termination, RTV Silicone and 20 Screws
*SVK	Snorkel Rigid Vent Kit Includes: 7" x 30° Elbow, 7" x 4' Galvanized Pipe, 7" x 90° Elbow, 7" Adjustable Galvanized Pipe (7-12"), Wall Thimble, 36" Snorkel Termination, RTV Silicone and 28 Screws
*RVF	Roof Rigid Vent Kit Includes: Flue Restrictor, Storm Collar, 7" x 30° Elbow, 7" x 4' Galvanized Pipe, 7" x 2' Galvanized Pipe, 7" Adjustable Galvanized Pipe (7-12"), Firestop Support, Roof Flashing, RTV Silicone, Vertical Termination, and 26 screws
D1000	7" x 12" Galvanized Coaxial Pipe (6 pcs.)
D1010	7" x 24" Galvanized Coaxial Pipe (6 pcs.)
D1020	7" x 48" Galvanized Coaxial Pipe (6 pcs.)
D1030	7" Adjustable (7-12") Galvanized Coaxial Pipe (6 pcs.)
D1050	7" x 6" Galvanized Coaxial Pipe (6 pcs.)
D2000	7" x 90° Elbow (6 pcs.)
D2010	7" x 45° Elbow (6 pcs.)
*D2060	7" x 45° Starter Elbow
D3000	Wall Strap/Offset Support (6 pcs.)
D3010	Storm Collar (6 pcs.)
D3020	Wall Thimble (6 pcs.)
D3050	Vertical Restrictor (6 pcs.)
D3060	Ceiling Firestop/Support (6 pcs.)
D3070	Rectangular Horizontal Rigid Vent Termination Cap
D3071	Adjustable Horizontal Rigid Vent Termination Cap
D3090	Cathedral Ceiling Support Box

*The D2060 45° starter elbow must be purchased separately.

Vanguard Rigid Venting (Cont.)

Number Description

D4000	Roof Flashing 6/12-9/12
D4010	Roof Flashing 9/12-12/12
D4020	Flex Connector (6 pcs.)
D4030	Flex Wall Thimble (6 pcs.)
D4040	4" Hose Clamp (6 pcs.)
D4050	7" Hose Clamp (6 pcs.)
D5000	Wood/Vinyl Siding Standoff (6 pcs.)

Vanguard Flexible Venting

Number Description

FGFVK	Flex Ground Floor Vent Kit Includes: Flex Adapter, 7" x 4' Flexible Pipe, 4" x 4' Flexible Pipe, Wall Thimble, Horizontal Termination, (4) Spacer Springs, (2) 4" Hose Clamps, (2) 7" Hose Clamps, RTV Silicone, and 10 Screws
D1040	7" x 25' Coaxial Flex Pipe with Spacer Springs
D3080	Rectangular Horizontal Flex Termination Cap

SIMPSON DURA-VENT GS 4" x 6 5/8"

Number Description

902	7" x 48" Pipe
903	7" x 36" Pipe
904	7" x 24" Pipe
906	7" x 12" Pipe
907	7" x 9" Pipe
908	7" x 6" Pipe
911	7" Adjustable (11"-14 5/8") Pipe
940	Wall Thimble
941	Cathedral Ceiling Support Box
943	Roof Flashing 0/12-6/12
943S	Roof Flashing 7/12-12/12
945	7" x 45° Elbow
950	Vinyl Siding Standoff
953	Storm Collar
963	Ceiling Firestop
981	36" Snorkel Termination
984	Horizontal Termination Vent Cap
988	Wall Strap
990	7" x 90° Elbow
991	Vertical High Wind Termination

VANGUARD

MDVFST DIRECT-VENT GAS FIREPLACE

INSTALLATION

WARNING: Disconnect all electrical power to the fireplace. Be careful of burrs and sharp edges.

BLOWER ASSEMBLY

NOTE: The blower is preinstalled in this fireplace. Verify blower assembly placement during installation. The blower may have shifted during shipping.

1. To remove lower louver, pull both top spring latches toward the center of the appliance until they are disengaged from the locating holes. Repeat for bottom spring latches and pull louver outward.
2. Place blower assembly so it rests flush against the inside wall on the flue exit side of the firebox (see Figure 29). There are four magnets on the bottom of the blower assembly that will keep the blower in place on firebox bottom. **Note:** If the blower kit is not installed flush against the inside side wall of the fireplace, the circulating air from the blower system will not flow properly.

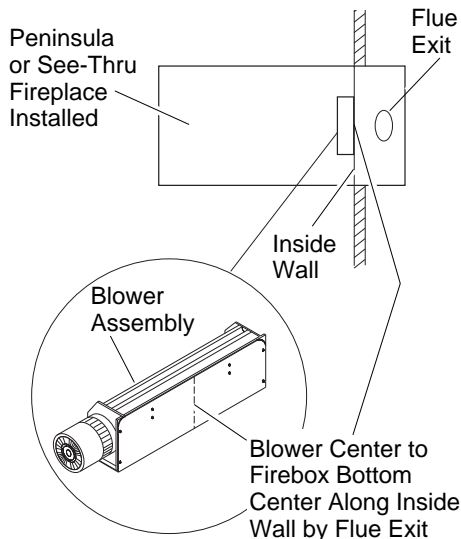


Figure 29 - Blower Assembly Placement

BLOWER SPEED CONTROL

1. Place speed control switch assembly on the bottom of the inside of the firebox (see Figure 30). The assembly is equipped with magnets on the left and right to properly anchor it to the firebox.
2. Plug blower with speed control assembly into a power source. Keep hands clear of fan when running.

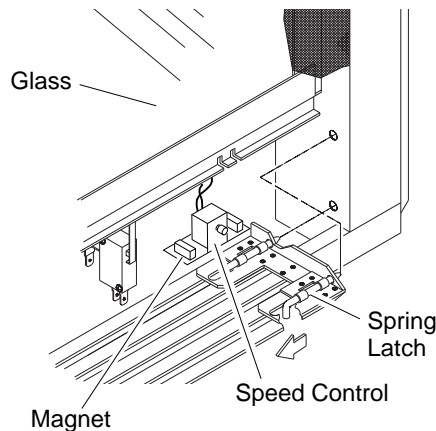


Figure 30 - Blower Speed Control Location

WIRING DIAGRAM

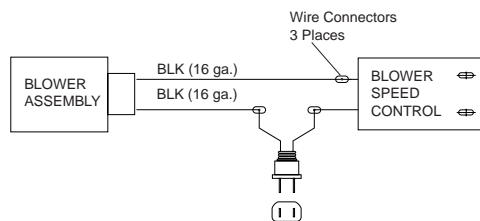


Figure 31 - Wiring Diagram for Blower Assembly

BLOWER SPEED CONTROL OPERATION

1. To operate blower, turn the blower speed control knob clockwise to the "ON" position (see Figure 32). This will be the highest blower speed. Continue turning knob clockwise to reduce blower speed. Turn knob only within the specified range (1/4 revolution, see Figure 32).
2. To turn blower off, turn blower speed control knob counterclockwise until it clicks into the "OFF" position. You must turn until knob clicks for the unit to be completely off.

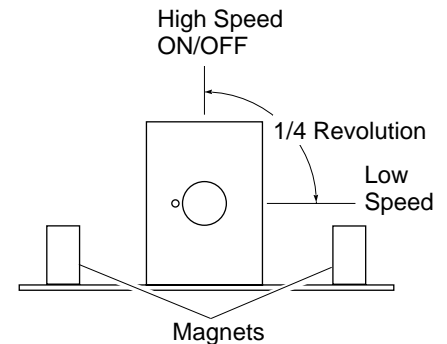


Figure 32 - Blower Speed Control

WALL SWITCH INSTALLATION

Since the MDVFST model uses a valve that operates on millivolt current generated by the pilot, a wall switch (not included) may be used to activate the gas control valve without the use of normal household electricity. A hand-held, ON/OFF remote control is standard with this unit. Wall switch is optional. If the wall switch is installed, the hand-held, ON/OFF remote cannot be used.

1. To remove the louvers, simultaneously pull both top end spring latches towards the center of the appliance until they are disengaged from locating holes. Repeat for bottom end spring latches and pull outward. Reverse the procedure to install louvers back onto the appliance (see Figure 33).
2. Connect the 18 ga. wires from wall switch (not included) to the gas control valve and microswitch, as shown in Figure 34, page 15.

WARNING: Do not wire remote wall switch to main power supply (Standard 120v household current).

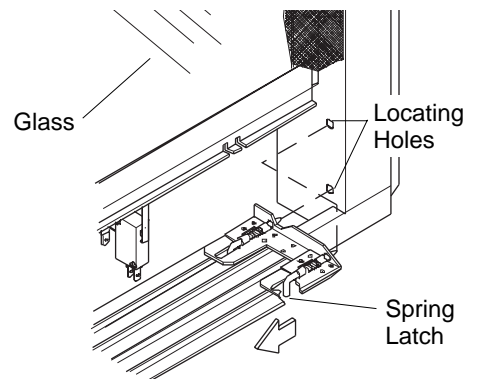


Figure 33 - Removing Louver

INSTALLATION

Continued

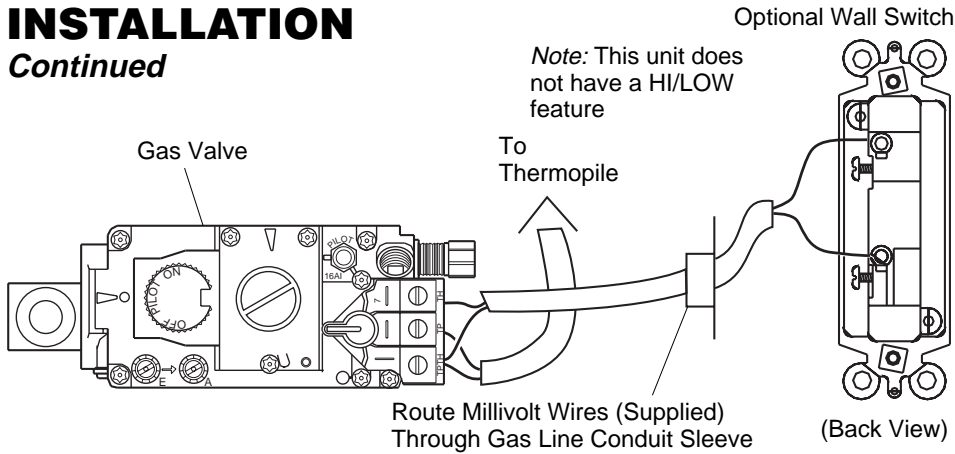


Figure 34 - Wall Switch Wiring Diagram

Note: If any of the original wire supplied must be replaced, use type 18 AWG-105 degree C (25 feet length MAXIMUM) or equivalent.

ELECTRICAL HOOKUP FOR BLOWER ACCESSORY

Before blower accessory can be operated, it must be properly connected to a standard 120 VAC power source. Refer to *Wiring Diagram* on page 20.

An outlet box with two receptacles has been supplied for your convenience, located on the lower left side of the appliance (see Figure 35).

CAUTION: Due to high temperatures, make sure no wires are touching the bottom of the firebox.

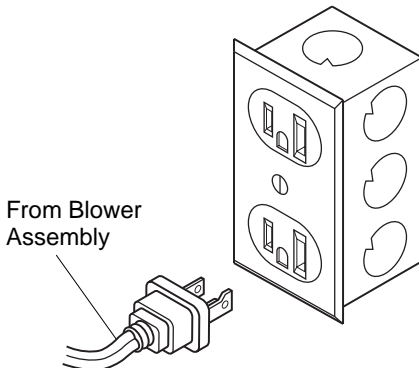


Figure 35 - Connecting Blower Accessory to Power Supply

WIRELESS HAND-HELD REMOTE CONTROL (GHRC SERIES) INSTALLATION

Note: If using the wireless hand-held remote control, the wall switch is no longer operational.

NOTICE: Only use alkaline batteries (not included, requires 2).

Installing Receiver

Note: Receiver is preinstalled.

1. Remove access panel from lower front face of firebox. Lift straight up on access panel until it stops. Pull bottom of access panel forward, then down.
2. Disconnect wall switch wires from TH and TPTH terminals on control valve (see Figure 34).
3. Install remote receiver unit onto mounting bracket using the two plastic mounting clips (see Figure 36).
4. Connect wires to control valve. Connect white wire to terminal TH. Connect red wire to terminal TP/TH.
5. Locate the battery clip mounted on the back of the receiver (see Figure 37).
6. Slide 9-volt battery (not included) through the clip.
7. Attach the terminal wires to the battery (see Figure 37).
8. Replace access panel. Place top of access panel into opening and slide up. Push bottom of access panel in and slide down to install.

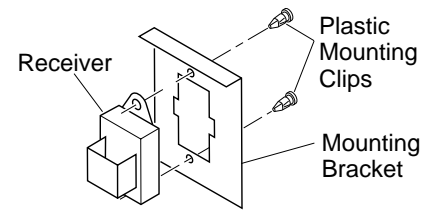


Figure 36 - Installing Remote Receiver (Shown from Rear of Mounting Bracket)

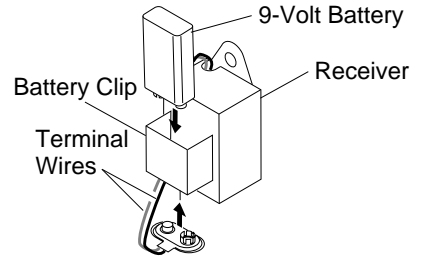


Figure 37 - Installing Battery in Receiver

Installing 9-Volt Alkaline Battery in Hand-Held Remote Control Unit

1. Remove battery cover on back of remote control unit.
2. Attach terminal wires to the battery (not included). Place battery into the battery housing.
3. Replace battery cover onto remote control unit.

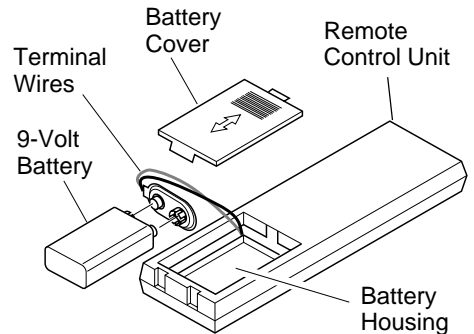


Figure 38 - Installing Battery in Hand-Held Remote Control Unit

VANGUARD

MDVFST DIRECT-VENT GAS FIREPLACE

INSTALLATION

Continued

GAS LINE HOOKUP

⚠ WARNING: Before you proceed, make sure your gas supply is OFF.

⚠ WARNING: Gas line hookup should be done by your gas supplier or a qualified service person.

An equipment shutoff valve has been included in the appliance's gas supply system. You may consider installing an extra gas shutoff valve outside the appliance's enclosure (check with local codes) where it can be accessed more conveniently with a key through a wall as shown in Figure 39.

Route a 1/2" NPT black iron gas line towards the appliance coming in from the left. It is recommended to route the pipe between the stand of the firebox and the surround of the fireplace (see Figure 40).

IMPORTANT: The appliance and its individual equipment shutoff valve must be disconnected from the gas supply piping system during any pressure testing of that system at test pressures in excess of 1/2 psig. (3.5 kPa). The appliance must be isolated from the gas supply piping system by closing its individual equipment shutoff valve during any pressure testing of the gas supply piping system at test pressures equal to or less than 1/2 psig. (3.5 kPa).

⚠ CAUTION: Do not kink flexible gas line.

⚠ CAUTION: Compounds used on threaded joints of gas piping shall be resistant to the action of Liquefied Petroleum (LP or propane), and should be applied lightly to ensure excess sealant does not enter the gas line.

1. Install a sediment trap between the incoming gas line and the gas control valve (see Figure 40). The sediment trap should extend down the center of the pipe. Refer to your local codes.
2. Prepare incoming gas line and check with local codes regarding the use of teflon tape. Complete your gas line installation by connecting incoming gas line with flexible gas line (included). Secure tightly with a wrench, but **Do NOT Overtighten.**

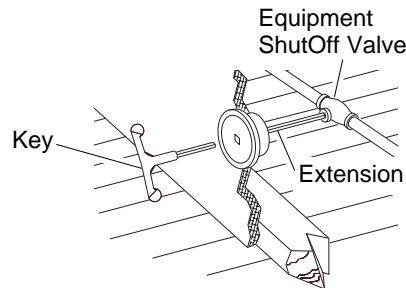


Figure 39 - Typical Exterior Wall Gas Shut-Off Installation

⚠ WARNING: All gas piping and connections must be tested for leaks after the installation is completed.

After ensuring that the gas valve is open, apply a soap and water solution to all connections and joints. If bubbles appear, leaks can be detected and corrected.

Do not use an open flame for leak testing and do not operate any appliance if a leak is detected.

⚠ WARNING: Improper installation, adjustment, alteration, service, or maintenance can cause injury or property damage. Refer to this manual. For assistance or additional information, consult a qualified installer, service agency, or gas supplier.

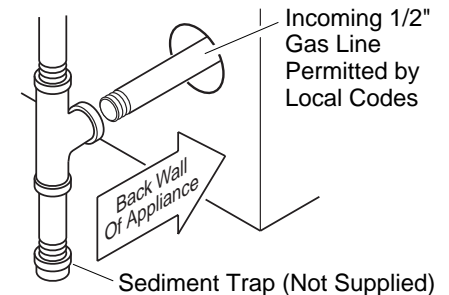


Figure 40 - Sediment Trap

TYPE OF GAS	GAS RATING	
	NATURAL	PROPANE/LP
Max. Input Rating:	30,000 Btu/hr	28,000 Btu/hr
Orifice Size (0-4,500 Ft.):	7/64"	#52
Manifold Pressure:	3.5 in. WC	10.0 in. WC
**Minimum Supply Pressure:	4.5 in. WC	11.0 in. WC
**Maximum Supply Pressure:	10.5 in. WC	13.0 in. WC

** For the purpose of input adjustment.

INSTALLATION

Continued

GAS SUPPLY TESTING

Note: This section is intended as a guide for qualified service technicians installing gas to the appliance.

CAUTION: Do not connect appliance before pressure testing gas piping. Damage to the gas valve may result and an unsafe condition may be caused.

The gas control valve is secured underneath the firebox with two brackets fastened to the firebox bottom. Two pressure taps are provided on the gas control valve for a pressure gauge connection (see Figure 41).

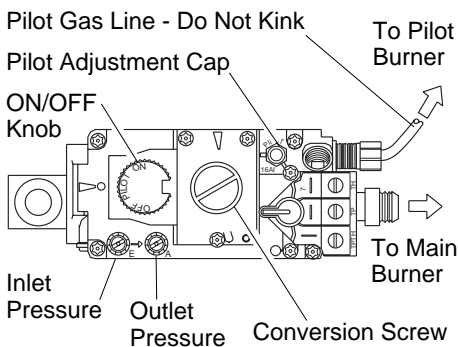


Figure 41 - Millivolt Control Valve

INSTALLING LOG SET

WARNING: Improper installation, adjustment, alteration, service, or maintenance can cause injury or property damage. Refer to this manual. For assistance or additional information, consult a qualified installer, service agency, or gas supplier.

Before proceeding, make sure the gas control valve is in the "OFF" position. Logs have been packaged separately to prevent damage to glass or refractory.

1. Remove top and bottom louvers by simultaneously pulling both top end spring latches towards the center of the appliance until they are disengaged from locating holes. Repeat for bottom end spring latches and pull outward. Reverse procedure to install louvers back.

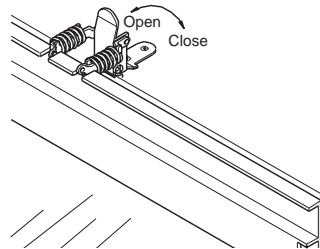


Figure 42 - Removing Glass Door

2. Remove the screen rod by sliding spring clip on one end toward the center. Slide rod into screen rod hole until other end of rod is free. Remove rod.
3. To open the glass door, open the pairs of latches located on the top and bottom of the firebox (see Figure 42). *Note:* Use caution when opening these latches.
4. Carefully open the door. The glass door is mounted to the firebox with 5 screws.
5. To remove the logs from the shrink wrap, carefully cut the plastic around the perimeter of the log. Do not try to remove the logs from the package without first cutting the plastic.
6. Figure 43 shows the log set. Logs "A" have the knot at the end of the log. Logs "B" have the knot at the middle of the log. Twigs "C" have the shape of a "Y". Twigs "D" have the shape of bent twigs. Twig "E" is a straight twig which is placed across the top of Logs "B".
7. Figure 44 shows the top view of the burner and grate.
8. Place logs "A" as shown in Figure 45.
9. Place logs "B" as shown in Figure 46. Lift the end of log "A" that will be propped up and place log "B" under it. At the same time, the other side of log "B" is placed over the other log "A". Repeat procedure for the other log "B".
10. Take twigs "C" (shaped like a "Y") and place them as shown in Figure 47.
11. Take twigs "D" (bent twig) and place them as shown in Figure 47.
12. Place twig "E" across the top of logs "B" as shown in Figure 47.
13. When finished installing the logs, close the glass doors while making certain that the safety door switch is fully depressed by the door frame before securing the four (4) spring loaded latches.
14. Replace the louvers in reverse order with the grilles pointing in the down position.

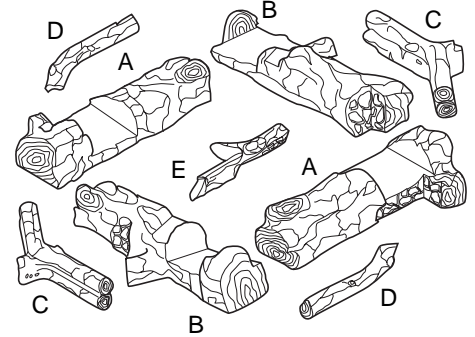


Figure 43 - Log Set (9 Pieces)

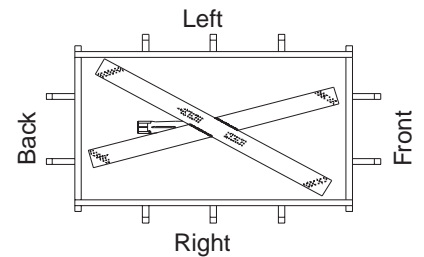


Figure 44 - Burner and Grate (Top View)

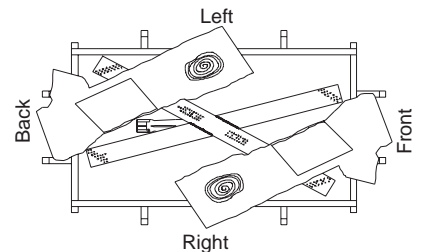


Figure 45 - Installing Logs "A" (Top View)

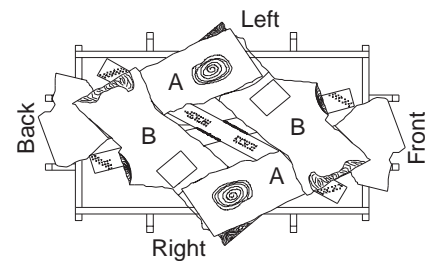


Figure 46 - Installing Logs "B" (Top View)

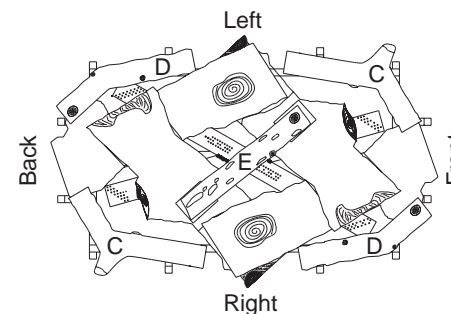


Figure 47 - Installing Twigs "C, D, E" (Top View)

Continued

VANGUARD

MDVFST DIRECT-VENT GAS FIREPLACE

INSTALLATION

Continued

DECORATIVE FACING

Any noncombustible material may be used for facing (glass, tile, brick, etc.) as long as the proper clearances are observed (see *Clearances*, page 3). **IMPORTANT:** Louvered openings must not be obstructed, and upper and lower panels must remain removable for servicing. Use only heat-resistant, noncombustible mortar or adhesive when securing facing material.

Note: Combustible material, such as wood, that has been fireproofed is not considered noncombustible.

PILOT ASSEMBLY ADJUSTMENT

The pilot assembly is factory preset for the proper flame height. Alteration to these settings may have occurred during shipping and handling. If this is the case, some minor adjustment may be necessary and should be done by a qualified technician. To access the pilot assembly, the glass door must be opened. The proper settings for the thermopile height should be at a distance of 3/8" to 1/2" from the pilot flame as shown in Figure 48.

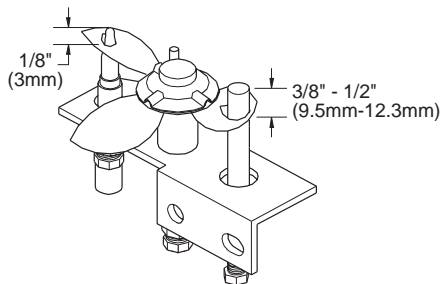


Figure 48 - Correct Pilot Flame Pattern

BURNER FLAME ADJUSTMENT

The air shutter, located at the underside of the main burner (see Figure 49), has been factory preset to the proper air-to-gas ratio which results in an even, clean burning flame across the burner (see Figure 50). If readjustment is necessary, you can restore the proper air-to-gas ratio by loosening the air shutter screw and rotating the air shutter until the proper flame setting is achieved (see page 22, column 2 for proper shutter settings). Do not forget to retighten the air shutter screws.

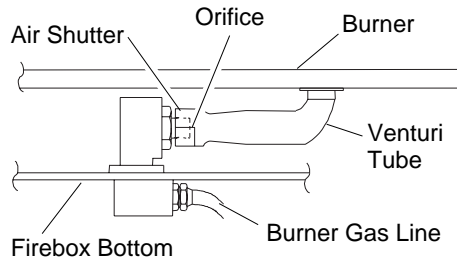


Figure 49 - Connecting Venturi and Orifice

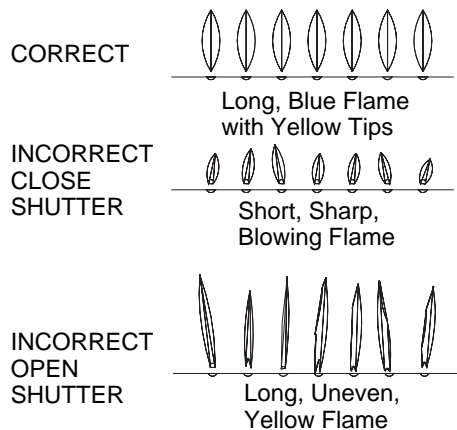


Figure 50 - Burner Flame Patterns

BURNER REMOVAL

CAUTION: Before proceeding, make sure the entire unit is cool.

1. Remove the top and bottom louvers and screen. Open the glass door (left or right side).
2. Carefully remove the log set.
3. Remove the screw that attaches the burner to the bracket.
4. Slide the burner towards the front of the unit, lift, and remove from the firebox.
5. To reinstall the burner, slide the burner towards the rear of the unit and secure burner to bracket with screw.

CAUTION: Make certain the orifice is inside the venturi tube's air shutter, see Figure 49.

6. Replace the log set, close door with latches, and attach screen and louvers.

OPERATING GUIDELINES AND MAINTENANCE INSTRUCTIONS

When lit for the first time, the appliance may emit a slight odor for about 16 - 24 hours. This is normal and is due to the "curing" of the logs and the "burn-in" of internal paints and lubricants used in the manufacturing process. Keep compartments, logs, burners, and area surrounding the logs clean by vacuuming or brushing at least twice a year. Temporary removal of the log set may ease the cleaning of the burner and pilot assembly. In cleaning, take care not to alter the pilot or burner location. Be sure appliance is cool before each maintenance session.

CAUTION: The appliance and logs can get very hot - Handle only when cool.

WARNING: Turn off gas and wall switch before servicing appliance. Any safety screen or guard removed for servicing the appliance must be replaced prior to operating the appliance.

Any household glass cleaner may be used to clean the glass panel. Do not use abrasive cleaners as this may damage the glass. **Clean glass only when cool.**

WARNING: Do not operate appliance with panel(s) and glass removed, cracked, or broken. Replacement of the panel(s) should be done by a licensed, qualified service person.

WARNING: Make certain wires and gas lines are not touching the underside of the firebox.

OPERATING GUIDELINES AND MAINTENANCE INSTRUCTIONS

Continued

⚠ CAUTION: If the glass breaks, be cautious of fragments on the floor. Keep children away from the area. Do not operate the unit. Use proper safety gloves to remove the broken glass door. Discard safely. A glass door kit can be ordered through your local distributor. Do not substitute other material for the glass.

⚠ WARNING: Children and adults should be alerted to the hazards of high surface temperatures, and to stay away from the appliance to avoid burns or clothing ignition. Young children should be carefully supervised when they are in the same room as the appliance.

⚠ WARNING: Have a qualified service agency periodically inspect the vent system at the start of each heating season, for any obstruction which may hinder its normal operation. Never obstruct the flow of combustion and ventilation air. Keep the front of the appliance clear of all obstacles and materials.

⚠ WARNING: Do not abuse, strike, or slam the glass doors.

⚠ CAUTION: Label all wires prior to disconnection when servicing controls. Wiring errors can cause improper and dangerous operation.

For further operating guidelines, contact your authorized dealer.

OPERATING FIREPLACE

**FOR YOUR SAFETY
READ BEFORE
LIGHTING**




⚠ WARNING: If you do not follow these instructions exactly, a fire or explosion may result causing property damage, personal injury or loss of life.

- A. This appliance has a pilot which must be lighted by hand. When lighting the pilot, follow these instructions exactly.
- B. **BEFORE LIGHTING** smell all around the appliance area for gas. Be sure to smell next to the floor because some gas is heavier than air and will settle on the floor.

WHAT TO DO IF YOU SMELL GAS

- Do not try to light any appliance.
 - Do not touch any electric switch; do not use any phone in your building.
 - Immediately call your gas supplier from a neighbor's phone. Follow the gas supplier's instructions.
 - If you cannot reach your gas supplier, call the fire department.
- C. Use only your hand to push in or turn the gas control knob. Never use tools. If the knob will not push in or turn by hand, don't try to repair it, call a qualified service technician or gas supplier. Force or attempted repair may result in a fire or explosion.
 - D. Do not use this appliance if any part has been under water. Immediately call a qualified service technician to inspect the appliance and to replace any part of the control system and any gas control which has been under water.

LIGHTING INSTRUCTIONS

1. **STOP!** Read the safety information, column 2, on this label before proceeding.
2. Turn off all electrical power to the appliance.
3. Open control access panel.
4. Push in gas control knob slightly and turn clockwise  to "OFF".
5. Wait five (5) minutes to clear out any gas. Then smell for gas, including near the floor. If you smell gas, **STOP!** Follow "B" in the safety information on this page. If you don't smell gas, go to the next step.
6. The pilot is located by the main burner.
7. Turn knob on gas control counterclockwise  to "PILOT".
8. Push in the control knob all the way and hold in. Immediately light the pilot by pressing the ignitor button until a flame appears one (1) minute after the pilot is lit. Release knob and it will pop back up. Pilot should remain lit. If it goes out, repeat steps 4 through 8.
 - If knob does not pop out when released, stop and call gas supplier.
 - If the pilot will not stay lit after several tries, turn gas control knob to "OFF" and call your service technician or gas supplier.
9. Turn gas control knob counterclockwise  to "ON". Knob can be turned to "ON" only if the control knob is popped out.
10. Turn on all electric power to the appliance (remote control or wall switch).

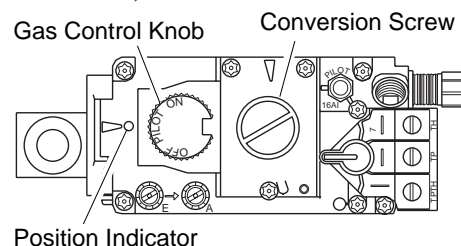


Figure 51 - Control Knob in the PILOT Position

Continued

VANGUARD

MDVFST DIRECT-VENT GAS FIREPLACE

OPERATING FIREPLACE

Continued

TO TURN OFF GAS TO APPLIANCE

1. Turn off remote control or wall switch.
2. Turn off all electric power to the appliance if service is to be performed.
3. Remove control access panel.
4. Push in gas control knob slightly and turn clockwise to "OFF". Do not force.
5. Replace control access panel.

Note: It is recommended that you maintain the gas control knob in the full "OFF" position during lengthy periods of seasonal non-usage.

REMOTE OPERATION

Follow instructions included with the remote control.

NOTICE: You must light the pilot before using the hand-held remote control unit. See *Lighting Instructions*, page 19.

Lighting Instructions

1. After lighting, let pilot flame burn for about one minute. Turn control knob to ON position. Slide the selector switch to the REMOTE position. **Note:** The burners may light if hand-held remote ON button was on when selector switch was last turned off. You can now turn the burners on and off with the hand-held remote control unit.

IMPORTANT: Do not leave the selector switch in the REMOTE position when the pilot is not lit. This will drain the battery.

IMPORTANT: Be sure to press the ON/OFF buttons on the hand-held remote control unit for up to 3 seconds to assure proper operation.

2. Press ON/OFF button to turn the burners on and off. When turning burners off, the pilot will remain lit.

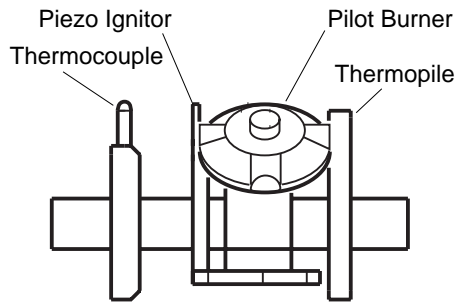


Figure 52 - Pilot

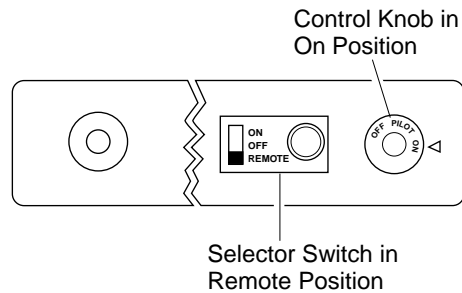
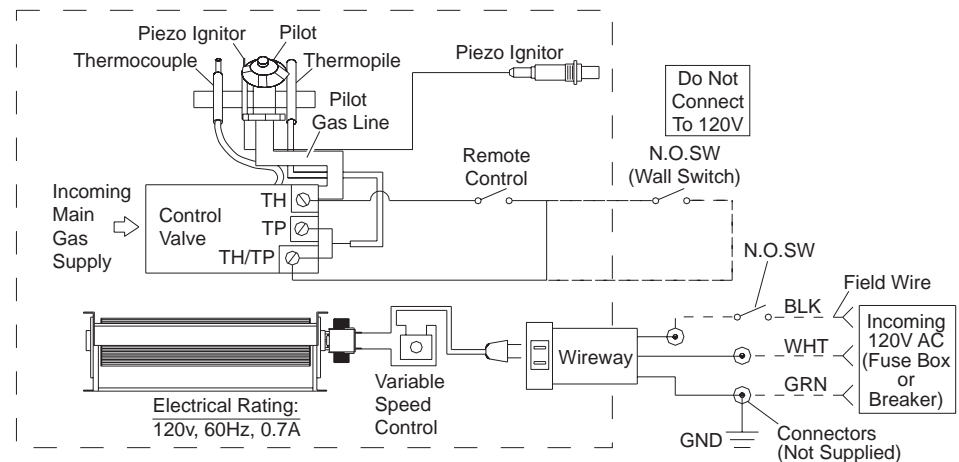


Figure 53 - Setting the Selector Switch, Control Knob, and Flame Adjustment Knob for Remote Operation

WIRING DIAGRAM



INSTALLATION INSTRUCTIONS FOR CONVERSION NATURAL TO PROPANE/LP

⚠ WARNING: This conversion kit shall be installed by a qualified service agency in accordance with the manufacturer instructions and all applicable codes and requirements of the authority having jurisdiction. If the information in these instructions is not followed exactly, a fire, explosion, or production of carbon monoxide may result causing property damage, personal injury, or loss of life. The qualified service agency is responsible for the proper installation of this kit. The installation is not proper and complete until the operation of the converted appliance is checked as specified in the manufacturer's instructions supplied with the kit.

BEFORE YOU BEGIN

The conversion parts are packaged with the unit. Please check the contents before beginning this conversion.

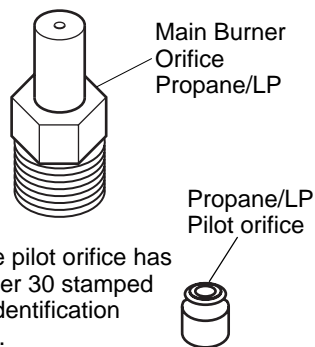


Figure 54 - Main Burner Orifice and Pilot Orifice

Make sure the gas control valve is in the OFF position and all electrical power to the appliance of OFF.

Wait five (5) minutes to clear out any gas. Smell for gas, including near the floor. If you smell gas, STOP! Follow "B" in the *For Your Safety, Read Before Lighting*, page 19.

PREPARATION

To remove louvers, pull end spring latches toward the center of the appliance simultaneously until they are disengaged from locating holes.

To open glass door, undo the latches located on the top and bottom of the firebox (see Figure 56). Carefully swing the glass door to the fully open position.

Carefully remove the log set and grate from the burner and place them outside the combustion chamber. Remove two screws holding the burner and remove burner. Remove the two side refractories and hearth pan (see Figure 55).

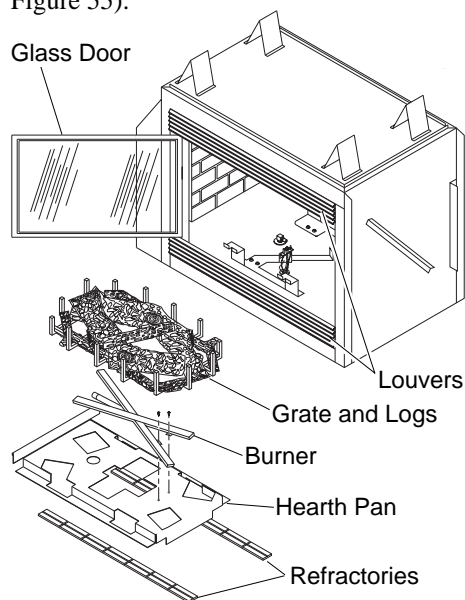


Figure 55 - Remove Louvers, Logs, Burner, Hearth Pan, and Refractories

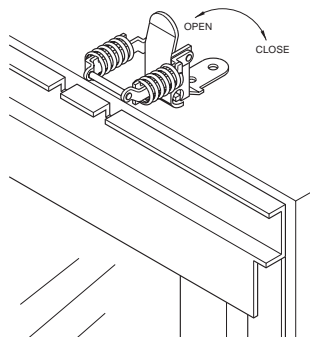


Figure 56 - Open Latch

INSTALLATION

Remove the main burner orifice and replace with the propane/LP conversion orifice supplied in the conversion kit (see Figure 57). Apply a small amount of thread sealant to the main burner orifice before tightening.

Remove the compression nut from the pilot and replace the propane/LP pilot orifice with supplied orifice from conversion kit (see Figure 57).

IMPORTANT: Be careful not to bend or kink aluminum tubing during the conversion. Make sure the compression sleeve and pilot orifice are properly mated and aligned before retightening the compression nut.

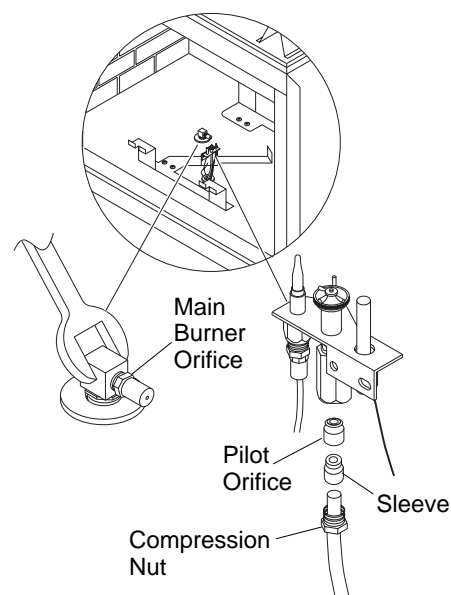


Figure 57 - Main Burner Orifice and Pilot Orifice

VANGUARD

MDVFST DIRECT-VENT GAS FIREPLACE

INSTALLATION INSTRUCTIONS FOR CONVERSION NATURAL TO PROPANE/LP

Continued

The SIT Nova millivolt valve converts from natural gas to propane/LP gas with the reversal of the conversion screw located on the stem in the top of the valve (see Figure 58). The valve is located in the bottom of the fireplace underneath the firebox.

Remove the conversion screw from the valve and rotate the screw 180 degrees. The screw is clearly marked as **NG** or **LPG**, insure that the **LPG** is facing outward. Tighten the screw fully but do not over tighten.

Position the hearth pan and the two side refractories back into position in the combustion chamber and fasten the burner back into position with the two screws.

Carefully position the grate and logs back into position (see *Installing Log Set*, page 17). Be careful not to alter the pilot or burner location.

Close the glass door, making certain the door is fully sealed.

Replace the louvers by depressing the latches and inserting the pins into the mating holes on the front face.

The conversion from natural gas to propane/LP is now complete.

Refer to *Lighting Instructions* on page 19.

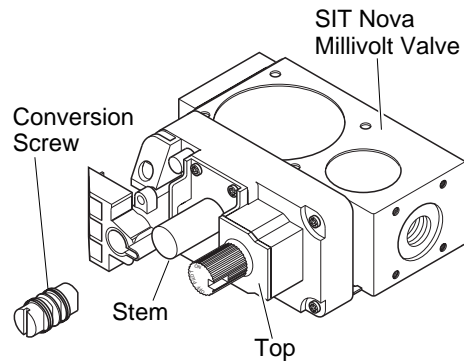


Figure 58 - Valve

ADJUSTING AIR SHUTTER

The air shutter, located at the underside of the main burner (see Figure 59), has been factory preset to the proper air-to-gas ratio which results in an even, clean burning flame across the burner (see Figure 60). If readjustment is necessary, you can restore the proper air-to-gas ratio by loosening the air shutter screw and rotating the air shutter until the proper flame setting is achieved (the shutter's normal setting for propane/LP gas is fully open and approximately 5/16" opening for natural gas). Do not forget to retighten the air shutter screws.

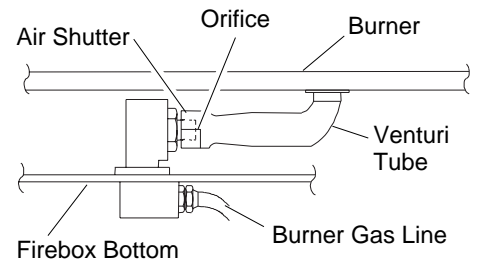


Figure 59 - Connecting Venturi and Orifice

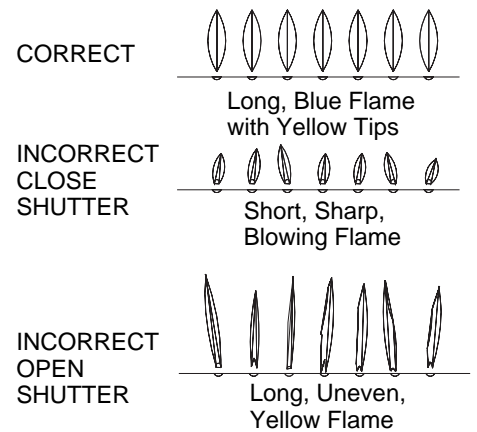


Figure 60 - Burner Flame Patterns

OWNER'S MANUAL

TROUBLESHOOTING

Note: For additional help, visit DESA International's technical service web site at www.desatech.com.

⚠ WARNING: Turn off fireplace and let cool before servicing. Only a qualified service person should service and repair fireplace.

⚠ CAUTION: Never use a wire, needle, or similar object to clean pilot. This can damage pilot unit.

Note: Before troubleshooting the system, make sure the equipment shutoff valve is ON.

Note: All troubleshooting items are listed in order of operation.

OBSERVED PROBLEM	POSSIBLE CAUSE	REMEDY
Pilot will not light	<ol style="list-style-type: none">1. No gas supply, or shutoff valve is OFF2. Air in gas line3. Construction debris clogging pilot orifice4. Low gas pressure5. Control valve knob is not on the PILOT position6. Kinked pilot line7. Bad valve8. Bad thermocouple or loose connection	<ol style="list-style-type: none">1. Check to see if you have gas supply2. Hold control valve in the PILOT position for 2 to 3 minutes to purge air. If you smell gas stop and wait for a few minutes before trying to light the fireplace3. Remove debris and dirt, inspect and clean any other possible obstructions4. Contact your gas supplier5. Refer to section on pilot lighting6. Have a qualified technician replace pilot line7. Replace control valve (see <i>Replacement Parts</i>, page 26)8. Tighten thermocouple or replace
No gas to burner, although wall switch and valve are set to the ON position	<ol style="list-style-type: none">1. Wall switch wires defective	<ol style="list-style-type: none">1. Check electrical connections
Frequent pilot outage	<ol style="list-style-type: none">1. Pilot flame may be too low, causing safety pilot to "drop out"	<ol style="list-style-type: none">1. Clean and adjust pilot flame for maximum flame impingement on thermopile
Burner goes off after a short time	<ol style="list-style-type: none">1. Venting recirculation problem	<ol style="list-style-type: none">1. Have a qualified technician check venting system for leaks or obstructions. Have a qualified technician measure the pilot's millivoltage
When ignitor button is pressed, there is no spark at pilot	<ol style="list-style-type: none">1. Ignitor electrode not connected to ignitor cable2. Ignitor cable pinched or wet3. Piezo ignitor nut is loose4. Broken ignitor cable5. Bad piezo ignitor6. Ignitor electrode broken7. Ignitor electrode positioned wrong	<ol style="list-style-type: none">1. Reconnect ignitor cable2. Free ignitor cable if pinched by any metal or tubing. Keep ignitor cable dry3. Tighten nut holding piezo ignitor. Nut is located behind the mounting bracket4. Replace ignitor cable5. Replace piezo ignitor6. Replace pilot assembly7. Replace pilot assembly
Remote does not function	<ol style="list-style-type: none">1. Battery is not installed. Battery power is low	<ol style="list-style-type: none">1. Replace 9-volt batteries in receiver and remote control

VANGUARD

MDVFST DIRECT-VENT GAS FIREPLACE

TROUBLESHOOTING

Continued

OBSERVED PROBLEM	POSSIBLE CAUSE	REMEDY
When ignitor button is pressed, there is spark at pilot but no ignition	<ol style="list-style-type: none">1. Gas supply turned off or equipment shutoff valve closed2. Control knob not in PILOT position3. Control knob not pressed in while in PILOT position4. Air in gas lines when installed5. Depleted gas supply (propane/LP models only)6. Pilot is clogged7. Gas regulator setting is not correct	<ol style="list-style-type: none">1. Turn on gas supply or open equipment shutoff valve2. Turn control knob to PILOT position3. Press in control knob while in PILOT position4. Continue holding down control knob. Repeat igniting operation until air is removed5. Contact local propane/LP gas company6. Clean pilot or replace pilot assembly7. Replace gas control
Pilot lights but flame goes out when control knob is released	<ol style="list-style-type: none">1. Control knob not fully pressed in2. Control knob not pressed in long enough3. Equipment shutoff valve not fully open4. Pilot flame not touching thermocouple, which allows thermocouple to cool, causing pilot flame to go out. This problem could be caused by one or both of the following: A) Low gas pressure B) Dirty or partially clogged pilot5. Thermocouple connection loose at control valve6. Thermocouple damaged7. Control valve damaged	<ol style="list-style-type: none">1. Press in control knob fully2. After pilot lights, keep control knob pressed in 30 seconds3. Fully open equipment shutoff valve4. A) Contact local gas company B) Clean pilot or replace pilot assembly5. Hand tighten until snug, then tighten 1/4 turn more6. Replace thermocouple7. Replace control valve
Burner does not light after pilot is lit	<ol style="list-style-type: none">1. Burner orifice clogged2. Inlet gas pressure is too low3. Thermopile leads disconnected or improperly connected4. Thermopile is defective	<ol style="list-style-type: none">1. Clean burner or replace burner orifice2. Contact local propane/LP or natural gas company3. Reconnect leads4. Replace thermopile
Delayed ignition burner	<ol style="list-style-type: none">1. Manifold pressure is too low2. Burner porting or orifice clogged	<ol style="list-style-type: none">1. Contact local propane/LP or natural gas company2. Clean burner or replace burner orifice
Burner backfiring during combustion	<ol style="list-style-type: none">1. Burner orifice is clogged or damaged2. Damaged burner3. Gas regulator defective	<ol style="list-style-type: none">1. Clean burner or replace burner orifice2. Replace damaged burner3. Replace gas control
Slight smoke or odor during initial operation	<ol style="list-style-type: none">1. Residues from manufacturing processes and logs curing	<ol style="list-style-type: none">1. Problem will stop after a few hours of operation
Fireplace produces a whistling noise when burner is lit	<ol style="list-style-type: none">1. Air in gas line2. Dirty or partially clogged burner orifice	<ol style="list-style-type: none">1. Operate burner until air is removed from line. Have gas line checked by local propane/LP gas company2. Clean burner or replace burner orifice

OWNER'S MANUAL

TROUBLESHOOTING

Continued

OBSERVED PROBLEM	POSSIBLE CAUSE	REMEDY
Glass soots	<ol style="list-style-type: none">1. Flame impingement on logs2. Debris around burner air mixer	<ol style="list-style-type: none">1. Adjust the log set so that the flame does not excessively impinge on it2. Inspect the opening at the base of the burner to see that it is NOT packed with any type of material
Fireplace produces a clicking/ticking noise just after burners are lit or shut off	<ol style="list-style-type: none">1. Metal expanding while heating or contracting while cooling	<ol style="list-style-type: none">1. This is common. If noise is excessive, contact qualified service person



WARNING: If you smell gas

- Shut off gas supply.
- Do not try to light any appliance.
- Do not touch any electrical switch; do not use any phone in your building.
- Immediately call your gas supplier from a neighbor's phone. Follow the gas supplier's instructions.
- If you cannot reach your gas supplier, call the fire department.

IMPORTANT: Operating fireplace where impurities in air exist may create odors. Cleaning supplies, paint, paint remover, cigarette smoke, cements and glues, new carpet or textiles, etc., create fumes. These fumes may mix with combustion air and create odors.

Fireplace produces unwanted odors	<ol style="list-style-type: none">1. Gas leak. See Warning statement above	<ol style="list-style-type: none">1. Locate and correct all leaks
Fireplace shuts off in use	<ol style="list-style-type: none">1. High or gusting winds2. Low line pressure3. Pilot is partially clogged4. Inner vent pipe leaking exhaust gasses into system5. Horizontal vent improperly pitched6. Glass too loose and air tight gasket leaks in corners after usage7. Bad thermopile or thermocouple8. Improper vent cap installation	<ol style="list-style-type: none">1. Fireplace has been tested for up to 40mph winds. However, extreme conditions may occur2. Contact local propane/LP or natural gas company3. Clean pilot4. Locate and correct all leaks5. Horizontal vent termination should slope down only enough to prevent any water from entering the unit. The maximum downward slope of the vent termination is 1/4" for any horizontal run6. Tighten glass7. Replace faulty component8. Check for proper installation and freedom from debris or blockage
Gas odor even when control knob is in OFF position	<ol style="list-style-type: none">1. Gas leak. See Warning statement above2. Control valve defective	<ol style="list-style-type: none">1. Locate and correct all leaks2. Replace control valve
Gas odor during combustion	<ol style="list-style-type: none">1. Gas leak. See Warning statement above	<ol style="list-style-type: none">1. Locate and correct all leaks
Dark residue on logs or inside of fireplace	<ol style="list-style-type: none">1. Improper log placement2. Air holes at burner inlet blocked3. Burner flame holes blocked	<ol style="list-style-type: none">1. Properly locate logs2. Clean out air holes at burner inlets. Periodically repeat as needed3. Remove blockage or replace burner

VANGUARD

MDVFST DIRECT-VENT GAS FIREPLACE

SERVICE HINTS

When Gas Pressure Is Too Low

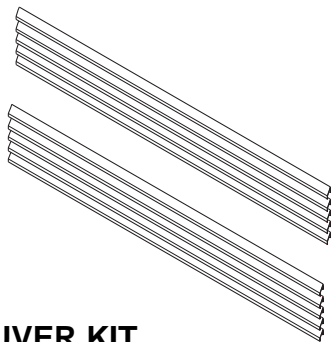
- pilot will not stay lit
- burner will have delayed ignition
- fireplace will not produce specified heat
- propane/LP gas supply may be low

When Gas Quality Is Bad

- pilot will not stay lit
- burner will produce flames and soot
- fireplace will backfire when lit

You may feel your gas pressure is too low or gas quality is bad. If so, contact your local propane/LP gas supplier.

ACCESSORIES



LOUVER KIT

Brass - FLP36 (01628)

GWMS2 - WALL MOUNT ON/OFF SWITCH KIT

Allows the fireplace to be turned on and off with a wall switch.

TECHNICAL SERVICE

You may have further questions about installation, operation, or troubleshooting. If so, contact DESA International's Technical Service Department at 1-800-323-5190.

You can also visit DESA International's technical services web site at www.desatech.com.

REPLACEMENT PARTS

Note: Use only original replacement parts. This will protect your warranty coverage for parts replaced under warranty.

PARTS UNDER WARRANTY

Contact authorized dealers of this product. If they can't supply original replacement part(s) call DESA International's Technical Service Department at 1-800-323-5190 for referral information.

When calling DESA International, have ready

- your name
- your address
- model and serial numbers of your fireplace
- how fireplace was malfunctioning
- type of gas used (propane/LP or natural gas)
- purchase date

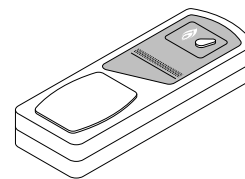
Usually, we will ask you to return the defective part to the factory.

PARTS NOT UNDER WARRANTY

Contact authorized dealers of this product. If they can't supply original replacement part(s) call DESA International's Parts Department at 1-800-972-7879 for referral information.

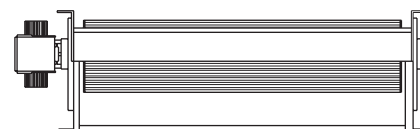
When calling DESA International, have ready

- model number of your fireplace
- the replacement part number



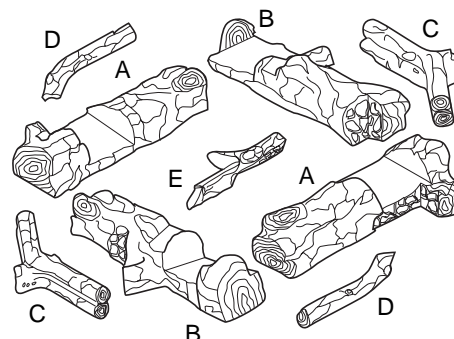
RECEIVER AND HAND-HELD ON/OFF REMOTE CONTROL KIT - GHRC

For all models. Allows the gas log heater to be turned on and off by using a hand-held remote control.



BLOWER KIT - DVFFBK

For all models. Increases air circulation to maximize heat distribution.



LOG SET - 105891-01 (27237)

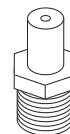
Log Piece A - 105896-01 (27238)

Log Piece B - 105895-01 (27239)

Log Piece C - 105893-01 (27242)

Log Piece D - 105892-01 (27240)

Log Piece E - 105894-01 (27241)



ORIFICE

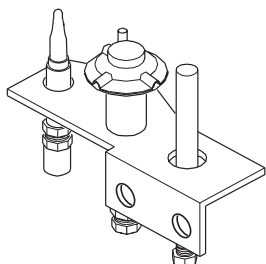
Natural - 105890-01 (27224)

Propane/LP - 105890-02 (25238)

OWNER'S MANUAL

REPLACEMENT PARTS

Continued



PILOT ASSEMBLY

Natural - 105883-01 (25701)

Propane/LP - 105883-02 (25702)

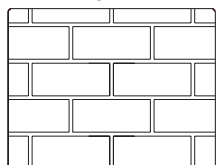
If in need of replacing, have a qualified technician replace it.



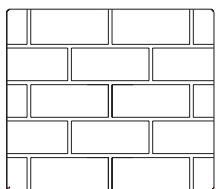
Front (Bottom)



Left/Right (Bottom)



Rear (Used for Peninsula and See-Thru)



Front (Used for See-Thru Only)

REFRACTORY PIECES

Front (Bottom)

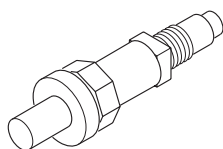
105886-01 (25854)

Left/Right (Bottom)

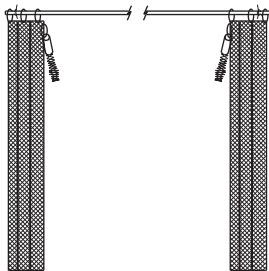
105887-01 (25856)

Rear - 106924-01 (27374)

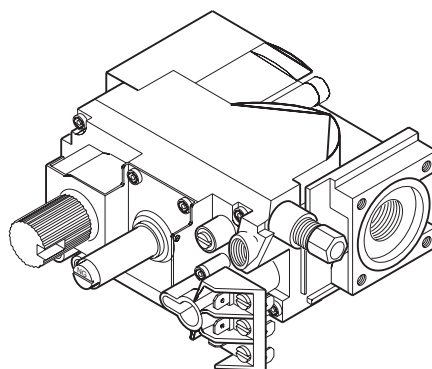
Front - 105888-01 (25885)



PIEZO IGNITOR - 105884-01 (14261)



SCREEN ASSEMBLY 105898-01 (25903)

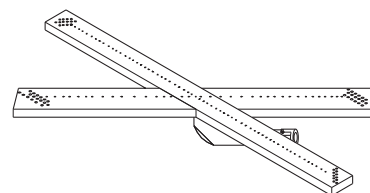


GAS CONTROL VALVE

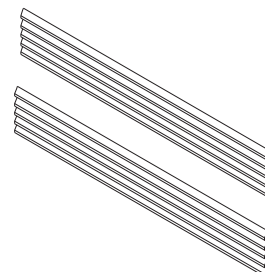
Convertible Control

104496-03(14480)

If in need of replacing, have a qualified technician replace it.

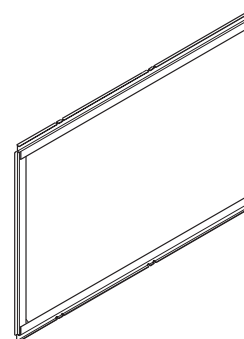


BURNER ASSEMBLY 105885-01 (27243)

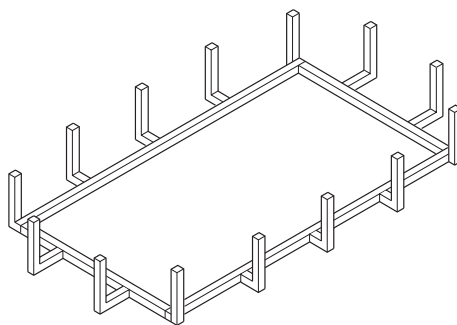


LOUVER KIT

Black - 105904-01 (01627)



DOOR ASSEMBLY (Tempered) 106923-01 (27200)



GRATE - 105889-01 (11184)

WARRANTY INFORMATION

KEEP THIS WARRANTY

Model _____

Serial No. _____

Date Purchased _____

Always specify model and serial numbers when communicating with the factory.

We reserve the right to amend these specifications at any time without notice. The only warranty applicable is our standard written warranty. We make no other warranty, expressed or implied.

LIMITED WARRANTY DIRECT-VENT FIREPLACE

DESA International warrants this product to be free from defects in materials and components for four (4) years from the date of first purchase, provided that the product has been properly installed, operated and maintained in accordance with all applicable instructions. To make a claim under this warranty the Bill of Sale or cancelled check must be presented.

This warranty is extended only to the original retail purchaser. This warranty covers the cost of part(s) required to restore this heater to proper operating condition and an allowance for labor when provided by a DESA Authorized Service Center. Warranty part(s) MUST be obtained through authorized dealers of this product and/or DESA International who will provide original factory replacement parts. Failure to use original factory replacement parts voids this warranty. The heater MUST be installed by a qualified installer in accordance with all local codes and instructions furnished with the unit.

This warranty does not apply to parts that are not in original condition because of normal wear and tear, or parts that fail or become damaged as a result of misuse, accidents, lack of proper maintenance or defects caused by improper installation. Travel, diagnostic cost, labor, transportation and any and all such other costs related to repairing a defective heater will be the responsibility of the owner.

TO THE FULL EXTENT ALLOWED BY THE LAW OF THE JURISDICTION THAT GOVERNS THE SALE OF THE PRODUCT; THIS EXPRESS WARRANTY EXCLUDES ANY AND ALL OTHER EXPRESSED WARRANTIES AND LIMITS THE DURATION OF ANY AND ALL IMPLIED WARRANTIES, INCLUDING WARRANTIES OF MERCHANTABILITY AND FITNESS FOR A PARTICULAR PURPOSE TO FOUR (4) YEARS ON ALL COMPONENTS FROM THE DATE OF FIRST PURCHASE; AND DESA INTERNATIONAL'S LIABILITY IS HEREBY LIMITED TO THE PURCHASE PRICE OF THE PRODUCT AND DESA INTERNATIONAL SHALL NOT BE LIABLE FOR ANY OTHER DAMAGES WHATSOEVER INCLUDING INDIRECT, INCIDENTAL OR CONSEQUENTIAL DAMAGES.

Some states do not allow a limitation on how long an implied warranty lasts or an exclusion or limitation of incidental or consequential damages, so the above limitation on implied warranties, or exclusion or limitation on damages may not apply to you.

This warranty gives you specific legal rights, and you may also have other rights that vary from state to state.

For information about this warranty write:

DESA
INTERNATIONAL

2701 Industrial Drive
P.O. Box 90004
Bowling Green, KY 42102-9004
www.desatech.com



106442 01

NOT A UPC

106442-01
Rev. A
02/00

Free Manuals Download Website

<http://myh66.com>

<http://usermanuals.us>

<http://www.somanuals.com>

<http://www.4manuals.cc>

<http://www.manual-lib.com>

<http://www.404manual.com>

<http://www.luxmanual.com>

<http://aubethermostatmanual.com>

Golf course search by state

<http://golfingnear.com>

Email search by domain

<http://emailbydomain.com>

Auto manuals search

<http://auto.somanuals.com>

TV manuals search

<http://tv.somanuals.com>