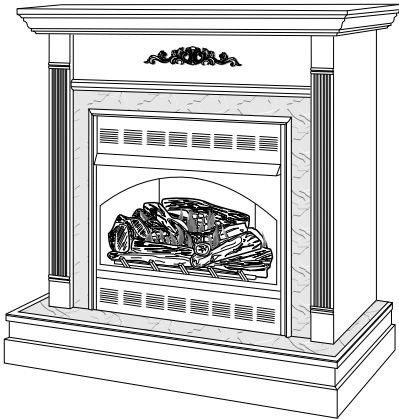


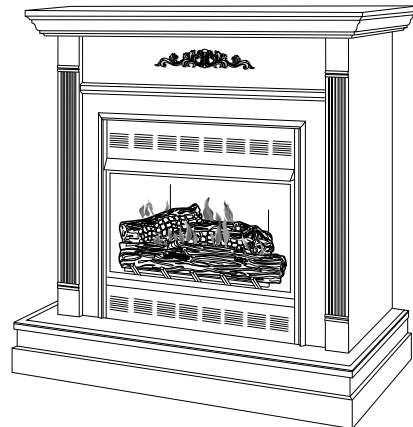
For more information, visit www.desatech.com



Shown with optional cabinet mantel, hearth base, and trim accessories.



Patent Pending



Shown with optional cabinet mantel and hearth base accessories.

VYGF33PRA, VYGF33NRA, FPVF33PR (Millivolt) and FPVF33NR (Millivolt) REMOTE-READY GAS FIREPLACE SYSTEMS

WARNING: If the information in this manual is not followed exactly, a fire or explosion may result causing property damage, personal injury, or loss of life.

- Do not store or use gasoline or other flammable vapors and liquids in the vicinity of this or any other appliance.
- **WHAT TO DO IF YOU SMELL GAS**
 - Do not try to light any appliance.
 - Do not touch any electrical switch; do not use any phone in your building.
 - Immediately call your gas supplier from a neighbor's phone. Follow the gas supplier's instructions.
 - If you cannot reach your gas supplier, call the fire department.
- Installation and service must be performed by a qualified installer, service agency, or the gas supplier.

WARNING: Improper installation, adjustment, alteration, service, or maintenance can cause injury or property damage. Refer to this manual for correct installation and operational procedures. For assistance or additional information consult a qualified installer, service agency, or the gas supplier.

WARNING: This is an unvented gas-fired heater. It uses air (oxygen) from the room in which it is installed. Provisions for adequate combustion and ventilation air must be provided. Refer to *Air for Combustion and Ventilation* section on page 4 of this manual.

This appliance may be installed in an aftermarket,* manufactured (mobile) home, where not prohibited by local codes.

This appliance is only for use with the type of gas indicated on the rating plate. This appliance is not convertible for use with other gases.

* Aftermarket: Completion of sale, not for purpose of resale, from the manufacturer

TABLE OF CONTENTS

SAFETY INFORMATION	2	WIRING DIAGRAM	22
PRODUCT IDENTIFICATION	3	SPECIFICATIONS	22
LOCAL CODES	4	TROUBLESHOOTING	23
UNPACKING	4	ILLUSTRATED PARTS BREAKDOWN AND PARTS LIST	26
PRODUCT FEATURES	4	ACCESSORIES	34
AIR FOR COMBUSTION AND VENTILATION	4	REPLACEMENT PARTS	36
INSTALLATION	7	TECHNICAL SERVICE	36
OPERATING FIREPLACE	18	SERVICE HINTS	36
INSPECTING BURNERS	20	OWNER'S REGISTRATION FORM	37
CLEANING AND MAINTENANCE	21	WARRANTY INFORMATION	Back Cover

SAFETY INFORMATION

WARNINGS

IMPORTANT: Read this owner's manual carefully and completely before trying to assemble, operate, or service this heater. Improper use of this heater can cause serious injury or death from burns, fire, explosion, electrical shock, and carbon monoxide poisoning.

DANGER: Carbon monoxide poisoning may lead to death!

Carbon Monoxide Poisoning: Early signs of carbon monoxide poisoning resemble the flu, with headaches, dizziness, or nausea. If you have these signs, the heater may not be working properly. **Get fresh air at once!** Have heater serviced. Some people are more affected by carbon monoxide than others. These include pregnant women, people with heart or lung disease or anemia, those under the influence of alcohol, and those at high altitudes.

Natural and Propane/LP Gas: Natural and propane/LP gases are odorless. An odor-making agent is added to the gas. The odor helps you detect a gas leak. However, the odor added to the gas can fade. Gas may be present even though no odor exists.

Make certain you read and understand all warnings. Keep this manual for reference. It is your guide to safe and proper operation of this heater.

WARNING: Any change to this heater or its controls can be dangerous.

WARNING: Do not use a blower insert, heat exchanger insert, or other accessory not approved for use with this heater.

WARNING: Do not allow fans to blow directly into the fireplace. Avoid any drafts that alter burner flame patterns. Ceiling fans can create drafts that alter burner flame patterns. Altered burner patterns can cause sooting.

Due to high temperatures, the appliance should be located out of traffic and away from furniture and draperies.

Do not place clothing or other flammable material on or near the appliance. Never place any objects on the heater.

Fireplace and screen become very hot when running fireplace. Keep children and adults away from hot surfaces to avoid burns or clothing ignition. Fireplace will remain hot for a time after shutdown. Allow surfaces to cool before touching.

Carefully supervise young children when they are in the room with fireplace. When using the optional hand-held remote accessory, keep selector switch in the OFF position to prevent children from turning on burners with remote.

You must operate this fireplace with the fireplace screen and hood in place. Make sure fireplace screen and hood are in place before running heater.

Keep the appliance area clear and free from combustible materials, gasoline, and other flammable vapors and liquids.

For more information, visit www.desatech.com

SAFETY INFORMATION

Continued

1. This appliance is only for use with the type of gas indicated on the rating plate. This appliance is not convertible for use with other gases.
2. Do not place propane/LP supply tank(s) inside any structure. Locate propane/LP supply tank(s) outdoors (propane/LP units only).
3. If you smell gas
 - shut off gas supply
 - do not try to light any appliance
 - do not touch any electrical switch; do not use any phone in your building
 - immediately call your gas supplier from a neighbor's phone. Follow the gas supplier's instructions
 - if you cannot reach your gas supplier, call the fire department
4. This fireplace shall not be installed in a bedroom or bathroom.
5. Do not use this fireplace as a wood-burning fireplace. Use only the logs provided with the fireplace.
6. Do not add extra logs or ornaments such as pine cones, vermiculite, or rock wool. Using these added items can cause sooting. Do not add lava rock around base. Rock and debris could fall into the control area of fireplace.
7. To prevent the creation of soot, follow the instructions in *Cleaning and Maintenance*, pages 21 and 22.
8. Before using furniture polish, wax, carpet cleaner, or similar products, turn heater off. If heated, the vapors from these products may create a white powder residue within burner box or on adjacent walls or furniture.
9. This fireplace needs fresh air ventilation to run properly. This fireplace has an Oxygen Depletion Sensing (ODS) safety shutoff system. The ODS shuts down the fireplace if enough fresh air is not available. See *Air for Combustion and Ventilation*, pages 4 through 6. If fireplace keeps shutting off, see *Troubleshooting*, pages 23 through 25.
10. Do not run fireplace
 - where flammable liquids or vapors are used or stored
 - under dusty conditions
11. Do not use this fireplace to cook food or burn paper or other objects.
12. Do not use fireplace if any part has been exposed to or under water. Immediately call a qualified service technician to inspect the fireplace and to replace any part of the control system and any gas control which has been under water.
13. Do not operate fireplace if any log is broken. Do not operate fireplace if a log is chipped (dime-sized or larger).
14. Turn fireplace off and let cool before servicing. Only a qualified service person should service and repair fireplace.

15. Operating fireplace above elevations of 4,500 feet could cause pilot outage.
16. To prevent performance problems in propane/LP units, do not use propane/LP fuel tanks of less than 100 lbs. capacity (propane/LP units only).
17. Provide adequate clearances around air openings.

PRODUCT IDENTIFICATION

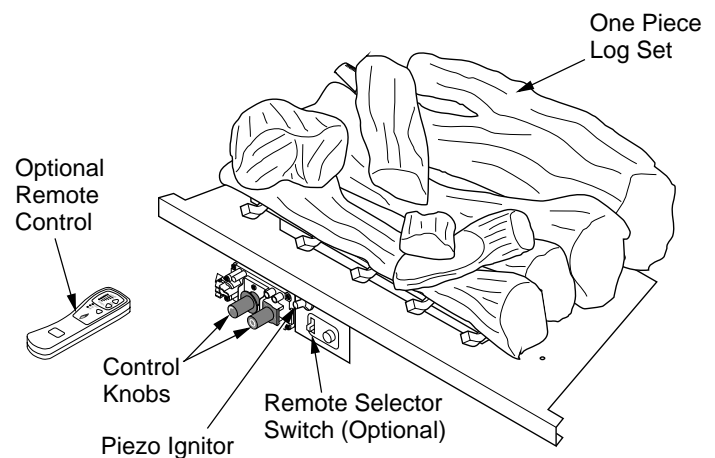


Figure 1 - Log Base Assembly (VYGF33PRA Shown)

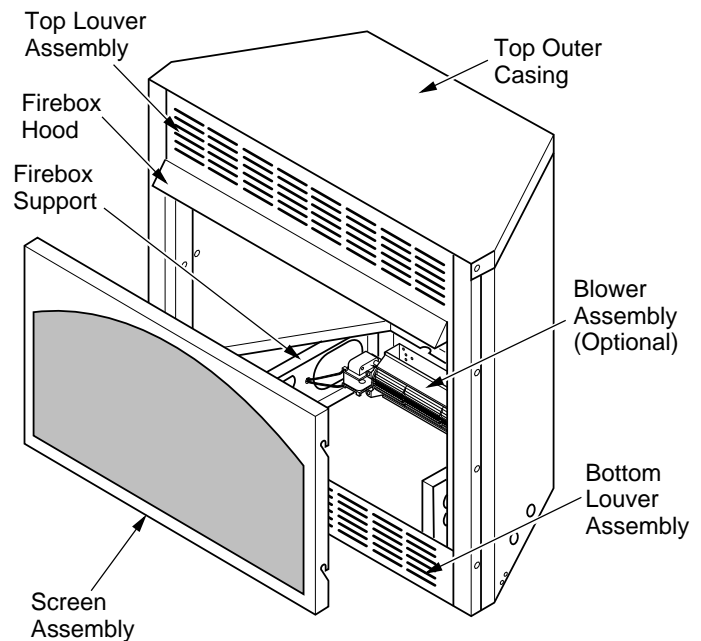


Figure 2 - Fireplace (VYGF33PRA Shown)

LOCAL CODES

Install and use fireplace with care. Follow all local codes. In the absence of local codes, use the latest edition of *The National Fuel Gas Code ANSI Z223.1/NFPA 54**.

*Available from:

American National Standards Institute, Inc.
 1430 Broadway
 New York, NY 10018

National Fire Protection Association, Inc.
 Batterymarch Park
 Quincy, MA 02269

Note: Where listed vented decorative logs are required, thermostat operation is not permitted.

UNPACKING

CAUTION: Do not remove the data plates attached to the heater base assembly. The data plates contain important warranty and safety information.

1. With utility knife, cut the carton all the way around above the staples on the bottom tray. Lift the carton off the heater. Remove packing. **Note:** The hood is located in the packing on the right hand side of the heater front. Lift the heater off the bottom tray.
2. Locate two screws above top corners of the fireplace screen. Remove and discard these screws. Lift fireplace screen up and pull out to remove.
3. Remove protective packaging applied to logs, log base assembly, and fireplace.
4. Remove fireplace hood from carton insert.
5. Check all items for any shipping damage. If damaged, promptly inform dealer where you bought fireplace.

PRODUCT FEATURES

OPERATION

This vent-free fireplace is clean burning. It requires no outside venting. There is no heat loss out a vent or up a chimney. Heat is generated by both realistic flames. When used without the blower, the fireplace requires no electricity making it ideal for emergency backup heat. This heater is designed for vent-free operation. It has been tested and approved to ANSI Z21.11.2 standard for unvented heaters. State and local codes in some areas prohibit the use of vent-free heaters.

SAFETY DEVICE

This fireplace has a pilot with an Oxygen Depletion Sensing (ODS) safety shutoff system. The ODS/pilot is a required feature for vent-free room heaters. The ODS/pilot system shuts off the fireplace if there is not enough fresh air.

PIEZO IGNITION SYSTEM

This fireplace has a piezo ignitor. This system requires no matches, batteries, or other sources to light fireplace.

OPTIONAL REMOTE CONTROL UNITS

There are four optional remote controls that can be purchased separately for this log heater:

- wall switch
- wall thermostat
- hand-held ON/OFF remote
- hand-held thermostat remote

See *Accessories*, pages 34 and 35.

OPTIONAL BLOWER ASSEMBLY (GA3700 SERIES & GA3700TA SERIES)

This fireplace accepts an optional blower assembly (not included). The GA3700TA Series blower operates thermostatically and features a variable speed control. The GA3700 Series blower operates manually and also features a variable speed control. The blower circulates heated air from the fireplace into the room. See *Accessories*, pages 34 and 35.

AIR FOR COMBUSTION AND VENTILATION

WARNING: This heater shall not be installed in a confined space or unusually tight construction unless provisions are provided for adequate combustion and ventilation air. Read the following instructions to insure proper fresh air for this and other fuel-burning appliances in your home.

Today's homes are built more energy efficient than ever. New materials, increased insulation, and new construction methods help reduce heat loss in homes. Home owners weather strip and caulk around windows and doors to keep the cold air out and the warm air in. During heating months, home owners want their homes as airtight as possible.

While it is good to make your home energy efficient, your home needs to breathe. Fresh air must enter your home. All fuel-burning appliances need fresh air for proper combustion and ventilation.

Exhaust fans, fireplaces, clothes dryers, and fuel burning appliances draw air from the house to operate. You must provide adequate fresh air for these appliances. This will insure proper venting of vented fuel-burning appliances.

AIR FOR COMBUSTION AND VENTILATION

Continued

PROVIDING ADEQUATE VENTILATION

The following are excerpts from *National Fuel Gas Code, ANSI Z223.1/NFPA 54, Section 5.3, Air for Combustion and Ventilation.*

All spaces in homes fall into one of the three following ventilation classifications:

1. Unusually Tight Construction
2. Unconfined Space
3. Confined Space

The information on pages 4 through 6 will help you classify your space and provide adequate ventilation.

Unusually Tight Construction

The air that leaks around doors and windows may provide enough fresh air for combustion and ventilation. However, in buildings of unusually tight construction, you must provide additional fresh air.

Unusually tight construction is defined as construction where:

- a. walls and ceilings exposed to the outside atmosphere have a continuous water vapor retarder with a rating of one perm (6×10^{-11} kg per pa-sec-m²) or less with openings gasketed or sealed **and**
- b. weather stripping has been added on openable windows and doors **and**
- c. caulking or sealants are applied to areas such as joints around window and door frames, between sole plates and floors, between wall-ceiling joints, between wall panels, at penetrations for plumbing, electrical, and gas lines, and at other openings.

If your home meets all of the three criteria above, you must provide additional fresh air. See *Ventilation Air From Outdoors*, page 6.

If your home does not meet all of the three criteria above, proceed to *Determining Fresh-Air Flow For Heater Location*, column 2.

Confined and Unconfined Space

The *National Fuel Gas Code, ANSI Z223.1/NFPA 54* defines a confined space as a space whose volume is less than 50 cubic feet per 1,000 Btu per hour (4.8 m³ per kw) of the aggregate input rating of all appliances installed in that space and an unconfined space as a space whose volume is not less than 50 cubic feet per 1,000 Btu per hour (4.8 m³ per kw) of the aggregate input rating of all appliances installed in that space. Rooms communicating directly with the space in which the appliances are installed*, through openings not furnished with doors, are considered a part of the unconfined space.

* Adjoining rooms are communicating only if there are doorless passageways or ventilation grills between them.

DETERMINING FRESH-AIR FLOW FOR HEATER LOCATION

Determining if You Have a Confined or Unconfined Space

Use this work sheet to determine if you have a confined or unconfined space.

Space: Includes the room in which you will install heater plus any adjoining rooms with doorless passageways or ventilation grills between the rooms.

1. Determine the volume of the space (length x width x height).

Length x Width x Height = _____ cu. ft. (volume of space)

Example: Space size 20 ft. (length) x 16 ft. (width) x 8 ft. (ceiling height) = 2560 cu. ft. (volume of space)

If additional ventilation to adjoining room is supplied with grills or openings, add the volume of these rooms to the total volume of the space.

2. Multiply the space volume by 20 to determine the maximum Btu/Hr the space can support.

_____ (volume of space) x 20 = (Maximum Btu/Hr the space can support)

Example: 3,168 cu. ft. (volume of space) x 20 = 63,360 (maximum Btu/Hr the space can support)

3. Add the Btu/Hr of all fuel burning appliances in the space.

Vent-free heater	_____ Btu/Hr
Gas water heater*	_____ Btu/Hr
Gas furnace	_____ Btu/Hr
Vented gas heater	_____ Btu/Hr
Gas fireplace logs	_____ Btu/Hr
Other gas appliances* +	_____ Btu/Hr
Total	= _____ Btu/Hr

* Do not include direct-vent gas appliances. Direct-vent draws combustion air from the outdoors and vents to the outdoors.

Example:

Gas water heater	_____ 40,000 Btu/Hr
Vent-free heater	+ _____ 33,000 Btu/Hr
Total	= _____ 73,000 Btu/Hr

4. Compare the maximum Btu/Hr the space can support with the actual amount of Btu/Hr used.

_____ Btu/Hr (maximum the space can support)

_____ Btu/Hr (actual amount of Btu/Hr used)

Example: 63,360 Btu/Hr (maximum the space can support)
 73,000 Btu/Hr (actual amount of Btu/Hr used)

AIR FOR COMBUSTION AND VENTILATION

Continued

The space in the example on page 5 is a confined space because the actual Btu/Hr used is more than the maximum Btu/Hr the space can support. You must provide additional fresh air. Your options are as follows:

- Rework worksheet, adding the space of an adjoining room. If the extra space provides an unconfined space, remove door to adjoining room or add ventilation grills between rooms. See *Ventilation Air From Inside Building*.
- Vent room directly to the outdoors. See *Ventilation Air From Outdoors*.
- Install a lower Btu/Hr heater, if lower Btu/Hr size makes room unconfined.

If the actual Btu/Hr used is less than the maximum Btu/Hr the space can support, the space is an unconfined space. You will need no additional fresh air ventilation.

⚠ WARNING: If the area in which the heater may be operated is smaller than that defined as an unconfined space or if the building is of unusually tight construction, provide adequate combustion and ventilation air by one of the methods described in the *National Fuel Gas Code, ANSI Z223.1/NFPA 54 Section 5.3* or applicable local codes.

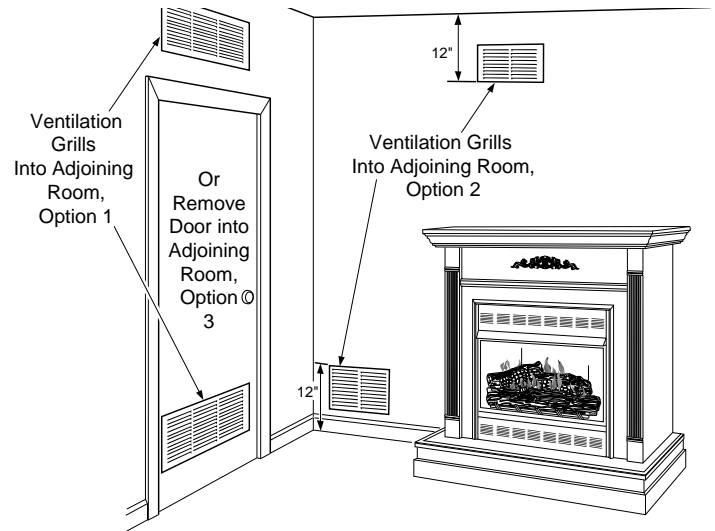


Figure 3 - Ventilation Air from Inside Building (FPVF33PR Shown)

VENTILATION AIR

Ventilation Air From Inside Building

This fresh air would come from an adjoining unconfined space. When ventilating to an adjoining unconfined space, you must provide two permanent openings: one within 12" of the ceiling and one within 12" of the floor on the wall connecting the two spaces (see options 1 and 2, Figure 2). You can also remove door into adjoining room (see option 3, Figure 2). Follow the *National Fuel Gas Code, ANSI Z223.1/NFPA 54, Section 5.3, Air for Combustion and Ventilation* for required size of ventilation grills or ducts.

Ventilation Air From Outdoors

Provide extra fresh air by using ventilation grills or ducts. You must provide two permanent openings: one within 12" of the ceiling and one within 12" of the floor. Connect these items directly to the outdoors or spaces open to the outdoors. These spaces include attics and crawl spaces. Follow the *National Fuel Gas Code, ANSI Z223.1/NFPA 54, Section 5.3, Air for Combustion and Ventilation* for required size of ventilation grills or ducts.

IMPORTANT: Do not provide openings for inlet or outlet air into attic if attic has a thermostat-controlled power vent. Heated air entering the attic will activate the power vent.

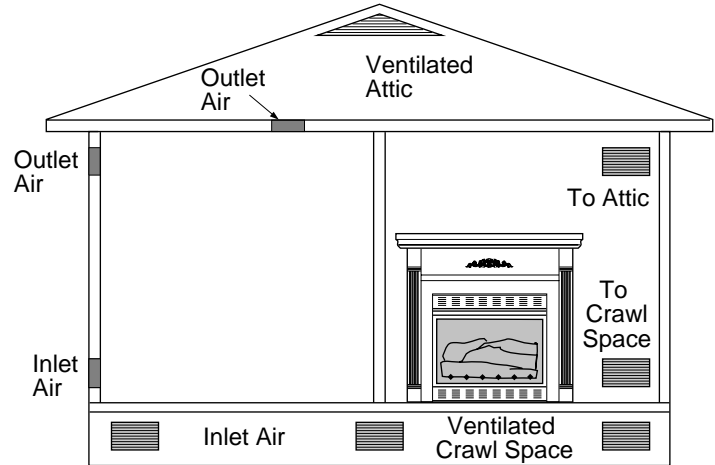


Figure 4 - Ventilation Air from Outdoors (FPVF33PR Shown)

INSTALLATION

NOTICE: This heater is intended for use as supplemental heat. Use this heater along with your primary heating system. Do not install this heater as your primary heat source. If you have a central heating system, you may run system's circulating blower while using heater. This will help circulate the heat throughout the house. In the event of a power outage, you can use this heater as your primary heat source.

⚠ WARNING: A qualified service person must install fireplace. Follow all local codes.

⚠ WARNING: Never install the fireplace

- in a bedroom or bathroom
- in a recreational vehicle
- where curtains, furniture, clothing, or other flammable objects are less than 42 inches from the front, top, or sides of the heater
- in high traffic areas
- in windy or drafty areas

⚠ CAUTION: This fireplace creates warm air currents. These currents move heat to wall surfaces next to fireplace. Installing fireplace next to vinyl or cloth wall coverings or operating heater where impurities (such as, but not limited, to tobacco smoke, aromatic candles, cleaning fluids, oil or kerosene lamps, etc.) in the air exist, may discolor walls or cause odors.

Note: Your fireplace is designed to be used in zero clearance installations. Wall or framing material can be placed directly against any exterior surface on the rear, sides, or top of your fireplace, except where standoff spacers are integrally attached. If standoff spacers are attached to your fireplace, these spacers can be placed directly against wall or framing materials.

Use the dimensions shown for rough openings to create the easiest installation. See *Built-In Fireplace Installation*, pages 10 and 11.

IMPORTANT: Vent-free heaters add moisture to the air. Although this is beneficial, installing fireplace in rooms without enough ventilation air may cause mildew to form from too much moisture. See *Air for Combustion and Ventilation*, pages 4 through 6.

IMPORTANT: Make sure the fireplace is level. If fireplace is not level, log set will not work properly.

CHECK GAS TYPE

Use the correct gas type (natural or propane/LP) for your fireplace. If your gas supply is not correct, do not install fireplace. Call dealer where you bought fireplace for proper type fireplace.

ELECTRICAL HOOKUP (Models GA3700 Series and GA3700T Series Blower Accessories, and GA3555 Internal Duplex Kit)

This fireplace accepts a blower assembly with an electrical cord. The electrical cord is five feet in length. You must locate fireplace within reach of a 120 volt grounded electrical outlet. If not, you must install an electrical outlet within reach of fireplace power cord. The GA3555 outlet accessory is used for built-in applications with blower accessory installed.

INSTALLING HOOD

Install hood to top of firebox as shown in Figure 5. Use 3 Phillips screws provided.

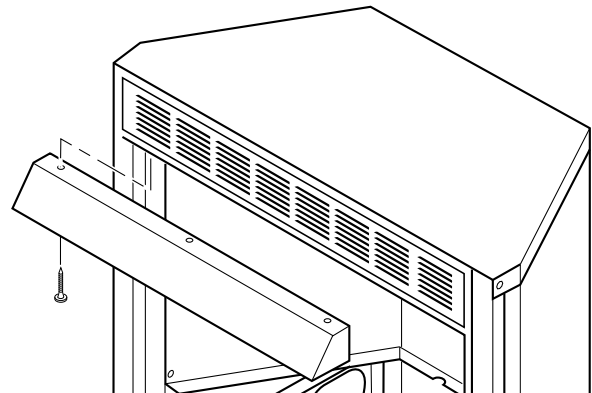


Figure 5 - Installing Hood to Firebox

INSTALLATION

Continued

ASSEMBLING AND ATTACHING OPTIONAL BRASS TRIM

(Included with Mantel Accessory)

IMPORTANT: If you are recessing the firebox in a wall, do not attach brass trim at this time. See page 10.

Note: The instructions below show assembling and attaching brass trim to fireplace.

1. Remove packaging from three pieces of brass trim.
2. Locate four brass screws, two adjusting plates with set screws, and two shims in the hardware packet.
3. Align shim under adjusting plate as shown in Figure 6.
4. Slide one end of adjusting plate/shim in slot on mitered edge of top brass trim (see Figure 6).
5. Slide other end of adjusting plate/shim in slot on mitered edge of side brass trim (see Figure 6).
6. While firmly holding edges of brass trim together, tighten both set screws on the adjusting plate with slotted screwdriver.
7. Repeat steps 1 through 6 for other side.
8. Tighten trim hanging screws (#10 x 6.25 shoulder) into holes in cabinets. Place the assembled trim onto fireplace cabinet. Align hanging notches on trim with hanging screws on side of fireplace (see Figure 7). Push trim firmly into place, sliding hanging notches over hanging screws.

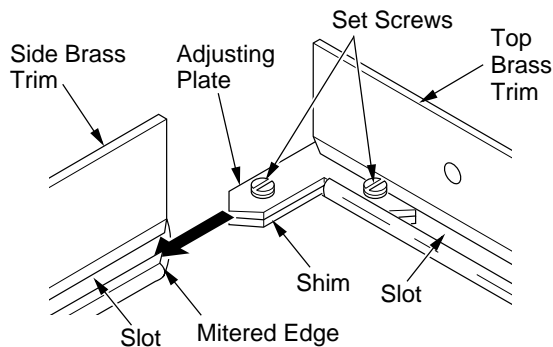


Figure 6 - Assembling Brass Trim

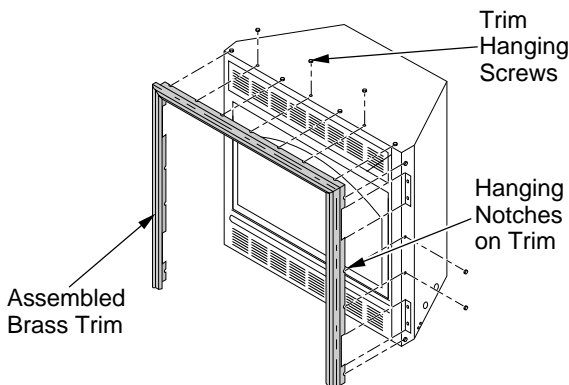


Figure 7 - Attaching Brass Trim to Fireplace (VYGF33PRA Shown)

INSTALLATION CLEARANCES

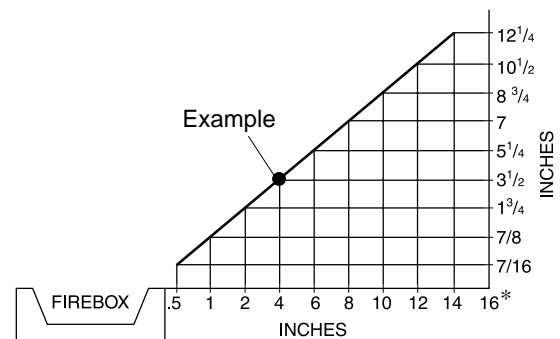
⚠ WARNING: Maintain the minimum clearances. If you can, provide greater clearances from floor, ceiling, and adjoining wall.

Carefully follow the instructions below. This will ensure safe installation.

Minimum Clearances For Side Combustible Material, Side Wall, and Ceiling

- A. Clearances from the side of the fireplace cabinet to any combustible material and wall should follow diagram in Figure 8.
Example: The face of a mantel, bookshelf, etc. is made of combustible material and protrudes 3 1/2" from the wall. This combustible material must be 4" from the side of the fireplace opening (see Figure 8).
- B. Clearances from the top of the fireplace opening to the ceiling should not be less than 42 inches.

MINIMUM CLEARANCE TO COMBUSTIBLE MATERIALS		
Top	Left and Right Sides	Bottom and Rear
42"	16"	0"



*Minimum 16 inches from Side Wall

Figure 8 - Minimum Clearance for Combustible to Wall

CONVENTIONAL FIREPLACE INSTALLATION

Conventional installation of this fireplace involves installing fireplace along with the corner, face, or cabinet mantel with hearth base accessories against a wall in your home. Follow the instructions below to install the fireplace in this manner.

Note: The instructions in this section show installation using the cabinet mantel and hearth base accessories. The hearth base accessory shown is optional for this installation. You can install fireplace and cabinet mantel directly on the floor. The corner mantel acces-

For more information, visit www.desatech.com

INSTALLATION

Continued

sory for models VYGF33NRA or VYGF33PRA can only be paired with the corner hearth base. If mounting fireplace and cabinet or corner mantel to the floor, an optional G3005 Series Slim Base kit may be installed.

1. Assemble cabinet mantel, hearth base, and trim accessories. Assembly instructions are included with each accessory.
2. When installing blower, install a properly grounded, 120 volt three-prong electrical outlet at fireplace location if an outlet is not there. If possible, locate outlet so cabinet mantel will cover it when installed (see Figure 9).
3. Install gas piping to fireplace location. This installation includes an approved flexible gas line (if allowed by local codes) after the equipment shutoff valve. The flexible gas line must be the last item installed on the gas piping. See *Installing Gas Piping to Fireplace Location*, pages 12 and 13.
4. Place hearth base accessory against wall at installation location. Cut an access hole in hearth top to run flexible gas line to fireplace (see Figure 9). Make sure to locate access hole so cabinet mantel will cover it when installed. **Note:** You can secure base to floor using wood screws. Countersink screw heads and putty over.
5. Route flexible gas line through access hole in hearth base.
6. Center cabinet mantel on hearth base (see Figure 10). Make sure mantel is flush against wall.
7. Break off nailing flanges (see Figure 11) with hammer or pliers.
8. Place cardboard or other protective material on top of hearth base. Carefully set fireplace on protective material, with back of fireplace inside mantel opening.
9. Attach flexible gas line from fireplace gas regulator to gas supply. See *Connecting Fireplace to Gas Supply*, page 13.
10. If blower is installed, route blower electrical cord through access holes in either side of fireplace. **Note:** Bushing may be moved if necessary. Plug electrical cord into electrical outlet.
11. Carefully insert fireplace into cabinet mantel. Be careful not to scratch or damage hearth base, cabinet mantel, or any laminate trim on hearth base (laminate trim for models VYGF33PRA and VYGF33NRA only). Remove protective material from top of hearth base and from front of fireplace (if any). **Note:** You can secure fireplace to hearth or floor. Open lower louver. Locate screw holes in bottom of base. Tighten wood screws through these holes and into hearth or floor.
12. Check all gas connections for leaks. See *Checking Gas Connections*, page 14.

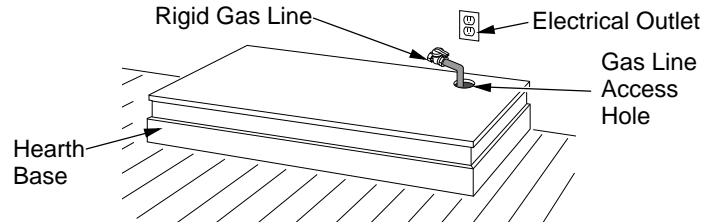


Figure 9 - Placing Hearth Base Accessory Against Wall

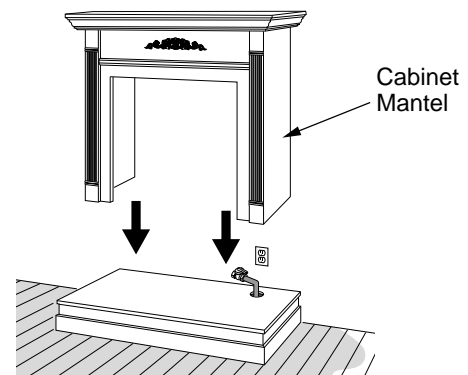


Figure 10 - Installing Cabinet Mantel

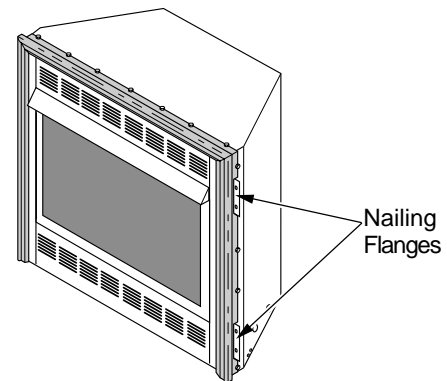


Figure 11 - Location of Nailing Flanges

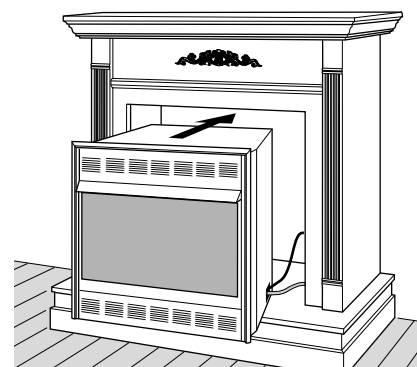


Figure 12 - Inserting Fireplace Into Cabinet Mantel

INSTALLATION

Continued

BUILT-IN FIREPLACE INSTALLATION FOR MODELS VYGF33PRA & VYGF33NRA

Built-in installation of this fireplace involves installing fireplace into a framed-in enclosure. This makes the front of fireplace flush with wall. If installing a mantel above the fireplace, you must follow the clearances shown in Figure 20, page 12. Follow the instructions below to install the fireplace in this manner.

	Actual	Framing
Height	32 ³ / ₈ "	33"
Front Width	34 ⁵ / ₁₆ "	35 ¹ / ₂ "
Depth	16 ¹¹ / ₁₆ "	17 ³ / ₄ "

1. Frame in rough opening. Use dimensions shown in Figure 13 for the rough opening. If installing in a corner, use dimensions shown in Figure 14 for the rough opening. The height is 33" which is the same as the wall opening above.
2. If using blower, install and properly ground GA3555, three-prong 120 volt electrical outlet, in fireplace. Follow instructions included in kit (see *Accessories*, pages 34 and 35).
3. Install gas piping to fireplace location. This installation includes an approved flexible gas line (if allowed by local codes) after the equipment shutoff valve. The flexible gas line must be the last item installed on the gas piping. See *Installing Gas Piping to Fireplace Location*, pages 12 and 13.
4. Carefully set fireplace in front of rough opening with back of fireplace inside wall opening.
5. Plug electrical cord into electrical outlet installed in step 2.
6. Carefully insert fireplace into rough opening.
7. Attach flexible gas line to gas supply. See *Connecting Fireplace to Gas Supply*, pages 13 and 14.
8. Attach fireplace to wall studs using nails or wood screws through holes in nailing flange (see Figure 15).
9. Check all gas connections for leaks. See *Checking Gas Connections*, pages 14 and 15.
10. Install brass trim after final finishing and/or painting of wall (see Figure 7, page 8).

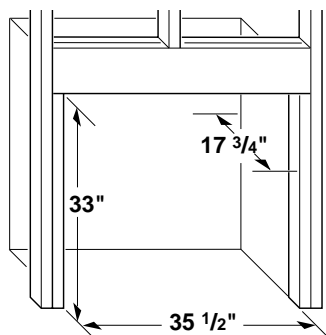


Figure 13 - Rough Opening for Installing in Wall

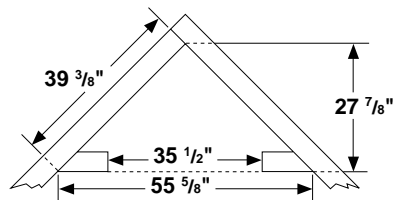


Figure 14 - Rough Opening for Installing in Corner (for Models VYGF33NRA & VYGF33PRA only)

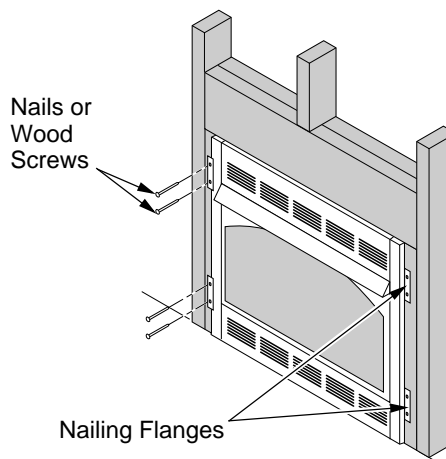


Figure 15 - Attaching Fireplace to Wall Studs (VYGF33PRA Shown)

BUILT-IN FIREPLACE INSTALLATION FOR MODELS FPVF33PR & FPVF33NR

Built-in installation of this fireplace involves installing fireplace into a framed-in enclosure. This makes the front of fireplace flush with wall. If installing a mantel above the fireplace, you must follow the clearances shown in Figure 20, page 12. Follow the instructions below to install the fireplace in this manner.

	Actual	Framing
Height	32 ³ / ₈ "	33"
Front Width	34 ⁵ / ₁₆ "	35 ¹ / ₂ "
Depth	16 ¹¹ / ₁₆ "	17 ³ / ₄ "

⚠ WARNING: A qualified electrician must connect electrical wiring to duplex outlet for built-in installation. Follow all local codes.

For more information, visit www.desatech.com

INSTALLATION

Continued

1. Frame in rough opening. Use dimensions shown in Figure 16 for the rough opening.
2. If using blower, install wiring and properly ground the three-prong, 120 volt electrical outlet in fireplace.
3. Before replacing bottom of firebox, install duplex outlet to the right support bracket in the bottom of firebox (see Figure 17).
4. Route wires from electrical box through smallest hole in outer casing using strain relief fitting provided (see Figure 17).
5. Connect wires from the electrical box to duplex outlet. Match wire colors to those indicated on duplex outlet. Be sure to connect ground wire.
6. Install shield to end of right support bracket and behind the firebox wrapper with 2 screws provided (see Figure 18).
7. Plug blower cord into duplex outlet. *Note:* On thermostat model fireplaces, route power cord to the back of the fireplace to clear thermostat valve.
8. Replace bottom of firebox.
9. Install gas piping to fireplace location. This installation includes an approved flexible gas line (if allowed by local codes) after the equipment shutoff valve. The flexible gas line must be the last item installed on the gas piping. See *Installing Gas Piping to Fireplace Location*, pages 12 and 13.
10. Carefully set fireplace in front of rough opening with back of fireplace inside wall opening.
11. Attach flexible gas line to gas supply. See *Connecting Fireplace to Gas Supply*, pages 13 and 14.
12. Plug electrical cord into electrical outlet installed in step 2.
13. Carefully insert fireplace into rough opening.
14. Attach fireplace to wall studs using nails or wood screws through holes in nailing flange (see Figure 19).
15. Check all gas connections for leaks. See *Checking Gas Connections*, pages 14 and 15.
16. Install brass trim after final finishing and/or painting of wall (see Figure 7, page 8).

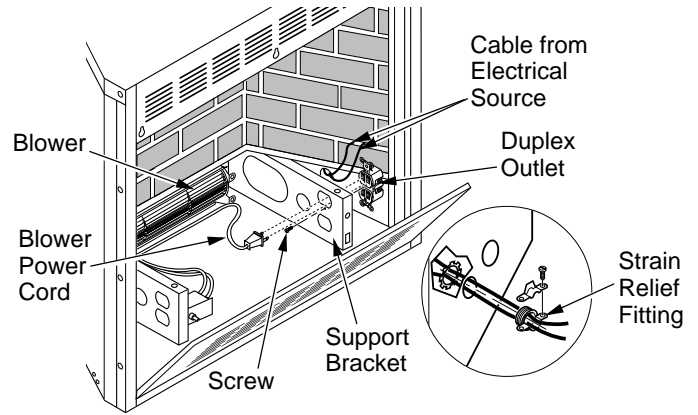


Figure 17 - Connecting Duplex Outlet

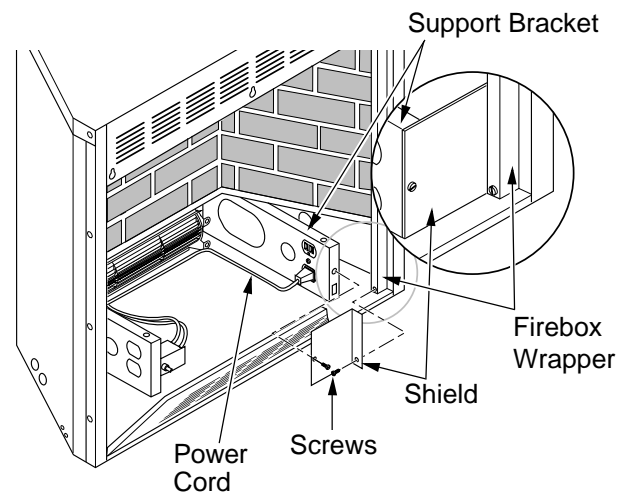


Figure 18 - Attaching Fireplace to Wall Studs (FPVF33PR Shown)

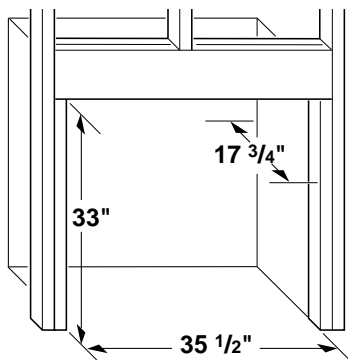


Figure 16 - Rough Opening for Installing in Wall

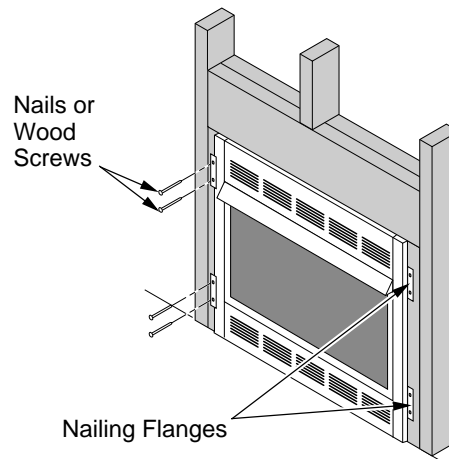


Figure 19 - Attaching Fireplace to Wall Studs (FPVF33PR Shown)

For more information, visit www.desatech.com



INSTALLATION

Continued

Mantel Clearances for Built-In Installation

If placing mantel above built-in fireplace, you must meet minimum clearance between mantel shelf and top of fireplace opening.

NOTICE: If your installation does not meet the minimum clearances shown, you must do one of the following:

- raise the mantel to an acceptable height
- remove the mantel

NOTICE: Surface temperatures of adjacent walls and mantels become hot during operation. Walls and mantels above the firebox may become hot to the touch. If installed properly, these temperatures meet the requirement of the national product standard. Follow all minimum clearances shown in this manual.

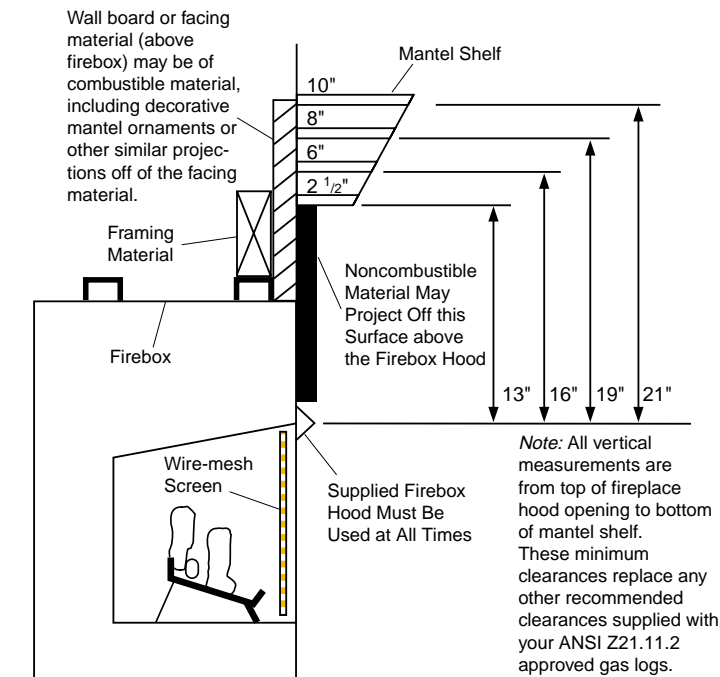


Figure 20 - Minimum Mantel Clearances for Built-In Installation

INSTALLING GAS PIPING TO FIREPLACE LOCATION

⚠ WARNING: This appliance requires a 1/2" NPT (National Pipe Thread) inlet connection to the pressure regulator.

⚠ WARNING: A qualified service person must connect fireplace to gas supply. Follow all local codes.

⚠ CAUTION: Never connect propane/LP fireplace directly to the propane/LP supply. This fireplace requires an external regulator (not supplied). Install the external regulator between the fireplace and propane/LP supply.

⚠ WARNING: Never connect natural gas fireplace to private (non-utility) gas wells. This gas is commonly known as wellhead gas.

Installation Items Needed

Before installing fireplace, make sure you have the items listed below.

- external regulator for propane/LP unit only (supplied by installer)
- piping (check local codes)
- sealant (resistant to propane/LP gas)
- equipment shutoff valve *
- test gauge connection *
- sediment trap (optional)
- tee joint
- pipe wrench
- approved flexible gas line with gas connector (if allowed by local codes) (not provided)

* A CSA design-certified equipment shutoff valve with 1/8" NPT tap is an acceptable alternative to test gauge connection. Purchase the optional CSA design-certified equipment shutoff valve from your dealer. See *Accessories*, pages 34 and 35.

For propane/LP units, the installer must supply an external regulator. The external regulator will reduce incoming gas pressure. You must reduce incoming gas pressure to between 11 and 14 inches of water. If you do not reduce incoming gas pressure, heater regulator damage could occur. Install external regulator with the vent pointing down as shown in Figure 21, page 13. Pointing the vent down protects it from freezing rain or sleet.

INSTALLATION

Continued

⚠ CAUTION: Use only new, black iron or steel pipe. Internally-tinned copper tubing may be used in certain areas. Check your local codes. Use pipe of 1/2" diameter or greater to allow proper gas volume to fireplace. If pipe is too small, undue loss of volume will occur.

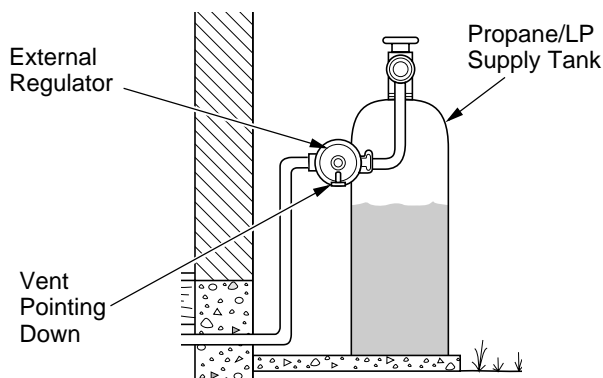


Figure 21 - External Regulator on Propane/LP Supply Tank with Vent Pointing Down

Installation must include an equipment shutoff valve, union, and plugged 1/8" NPT tap. Locate NPT tap within reach for test gauge hook up. NPT tap must be upstream from fireplace (see Figure 22).

IMPORTANT: Install equipment shutoff valve in an accessible location. The equipment shutoff valve is for turning on or shutting off the gas to the appliance.

Check your building codes for any special requirements for locating equipment shutoff valve to fireplaces.

Apply pipe joint sealant lightly to male NPT threads. This will prevent excess sealant from going into pipe. Excess sealant in pipe could result in clogged fireplace valves. Never use sealant on flare threads.

⚠ WARNING: Use pipe joint sealant that is resistant to liquid petroleum (LP) gas.

We recommend that you install a sediment trap in supply line as shown in Figure 22. Locate sediment trap where it is within reach for cleaning. Install in piping system between fuel supply and fireplace. Locate sediment trap where trapped matter is not likely to freeze. A sediment trap traps moisture and contaminants. This keeps them from going into fireplace gas controls. If sediment trap is not installed or is installed wrong, fireplace may not run properly.

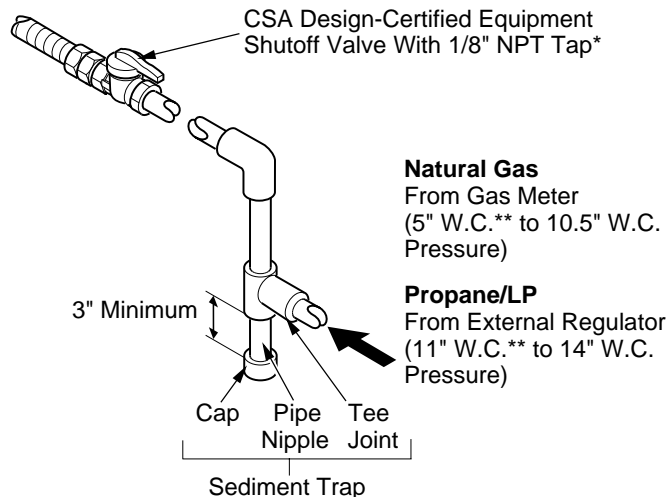


Figure 22 - Gas Connection

* Purchase the optional CSA design-certified equipment shutoff valve from your dealer. See *Accessories*, pages 34 and 35.

** Minimum inlet pressure for purpose of input adjustment.

CONNECTING FIREPLACE TO GAS SUPPLY

Installation Items Needed

- 5/16" hex socket wrench or nut-driver
 - Phillips screwdriver
 - sealant (resistant to propane/LP gas, not provided)
1. Remove fireplace screen. Remove two screws that hold fireplace screen in place for shipping. These screws are located near top of screen. Discard screws. Lift fireplace screen up and pull out to remove.
 2. Remove screws that attach log base assembly to fireplace (see Figure 23, page 14). Carefully lift up log base assembly and remove from fireplace (see Figure 23, page 14).

Note: If adding the G8000A series brick liner accessory, install it now. Follow instructions in G8000A accessory kit.

⚠ CAUTION: Do not pick up log base assembly by burner. This could damage burner. Only handle base by grates.

3. Route gas line (provided by installer) from equipment shutoff valve to fireplace. Route flexible gas supply line through one of the access holes.

INSTALLATION

Continued

NOTICE: Most building codes do not permit concealed gas connections. A flexible gas line is provided to allow accessibility from the fireplace (see Figure 24). The flexible gas supply line connection to the equipment shutoff valve should be accessible.

4. Attach the flexible gas line to gas supply (see Figure 24). Check tightness of flexible gas line attached to gas regulator of fireplace (see Figure 24).
5. Check all gas connections for leaks. See *Checking Gas Connections*.
6. Replace log base assembly back into fireplace. Feed flexible gas line into fireplace base area while replacing log base assembly. Make sure the entire flexible gas line is in fireplace base area. Reattach log base assembly to fireplace with screws removed in step 2.

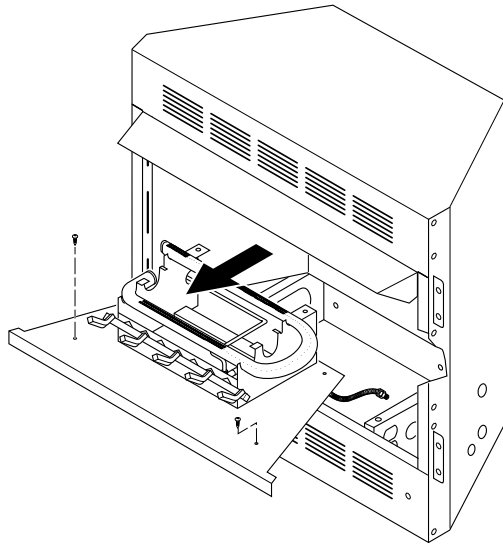


Figure 23 - Removing Log Base Assembly From Fireplace

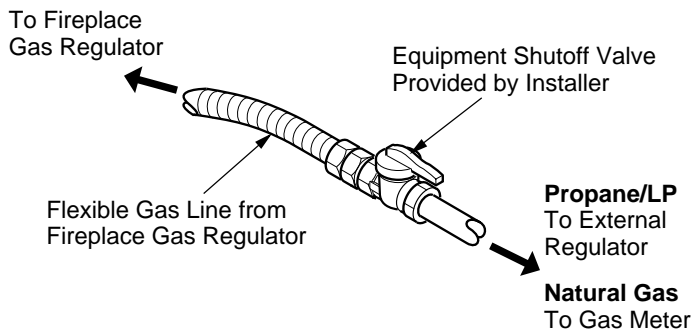


Figure 24 - Attaching Flexible Gas Lines Together

CHECKING GAS CONNECTIONS

WARNING: Test all gas piping and connections for leaks after installing or servicing. Correct all leaks at once.

WARNING: Never use an open flame to check for a leak. Apply a noncorrosive leak detection fluid to all joints. Bubbles forming show a leak. Correct all leaks at once.

CAUTION: Make sure external regulator has been installed between propane/LP supply and fireplace. See guidelines under *Connecting Fireplace to Gas Supply*, page 13.

Pressure Testing gas Supply Piping system

Test Pressures In Excess Of 1/2 PSIG (3.5 kPa)

1. Disconnect fireplace with its appliance main gas valve (control valve) and equipment shutoff valve from gas supply piping system. Pressures in excess of 1/2 psig will damage fireplace regulator.
2. Cap off open end of gas pipe where equipment shutoff valve was connected.
3. Pressurize supply piping system by either opening propane/LP supply tank valve for propane/LP gas or opening main gas valve located on or near gas meter for natural gas, or using compressed air.
4. Check all joints of gas supply piping system. Apply noncorrosive leak detection fluid to all joints. Bubbles forming show a leak.
5. Correct all leaks at once.
6. Reconnect fireplace and equipment shutoff valve to gas supply. Check reconnected fittings for leaks.

INSTALLATION

Continued

Test Pressures Equal To or Less Than 1/2 PSIG (3.5 kPa)

1. Close equipment shutoff valve (see Figure 25).
2. Pressurize supply piping system by either opening propane/LP supply tank valve for propane/LP gas or opening main gas valve located on or near gas meter for natural gas, or using compressed air.
3. Check all joints from gas meter to equipment shutoff valve for natural gas or propane/LP supply to equipment shutoff valve for propane/LP (see Figures 26 or 27). Apply noncorrosive leak detection fluid to all joints. Bubbles forming show a leak.
4. Correct all leaks at once.

Pressure Testing Fireplace Gas Connections

1. Open equipment shutoff valve (see Figure 25).
2. Open main gas valve located on or near gas meter for natural gas or open propane/LP supply tank valve.
3. Make sure control knob of fireplace is in the OFF position.
4. Check all joints from equipment shutoff valve to gas control valve (see Figures 26 or 27). Apply noncorrosive leak detection fluid to all joints. Bubbles forming show a leak.
5. Correct all leaks at once.
6. Light fireplace (see *Operating Fireplace*, pages 18 through 20. Check all other internal joints for leaks.
7. Turn off fireplace (see *To Turn Off Gas to Appliance*, page 19).

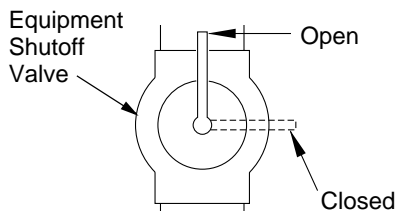


Figure 25 - Equipment Shutoff Valve

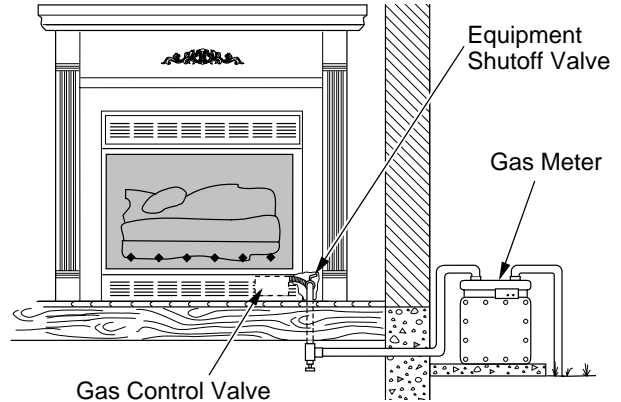


Figure 26 - Checking Gas Joints for Natural Gas

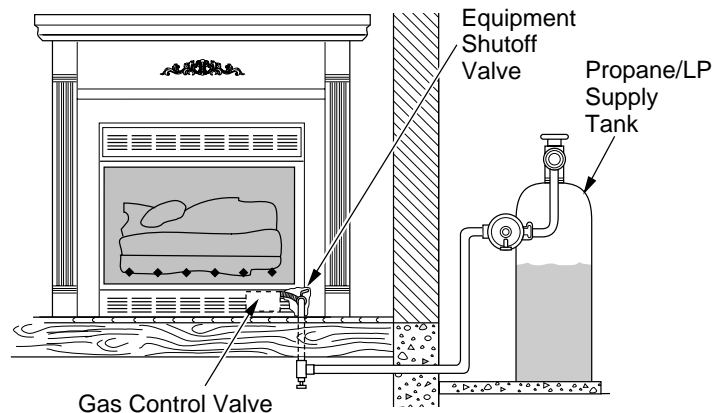


Figure 27 - Checking Gas Joints for Propane/LP

INSTALLING LOGS

CAUTION: Do not remove the data plates attached to the heater base assembly. The data plates contain important warranty and safety information.

WARNING: Failure to position the parts in accordance with these diagrams or failure to use only parts specifically approved with this heater may result in property damage or personal injury.

WARNING: After installation and periodically thereafter, check to ensure that no flame comes in contact with any log. With the heater set to High, check to see if flame contact any log. If so, reposition logs according to the log installation instructions in this manual. Flames contacting logs will create soot.

INSTALLATION

Continued

It is very important to install the logs exactly as instructed. Do not modify logs. Only use logs supplied with fireplace.

1. For models VYGF33PRA and VYGF33NRA, place one-piece log set on grate to fit as illustrated in Figure 28. For models FPVF33PR and FPVF33NR, place one-piece log set on grate to fit as illustrated in Figure 29. Make sure middle section at bottom of log set is seated into "U"-shaped cutout in center of chassis (see Figure 29). **IMPORTANT:** Make sure log does not cover any burner ports (see Figures 30 and 31).
2. Install fireplace screen by slipping notches of fireplace screen over screws on front of fireplace (see Figure 32).

⚠ WARNING: You must operate this fireplace with the fireplace screen in place. Make sure fireplace screen is in place before running fireplace.

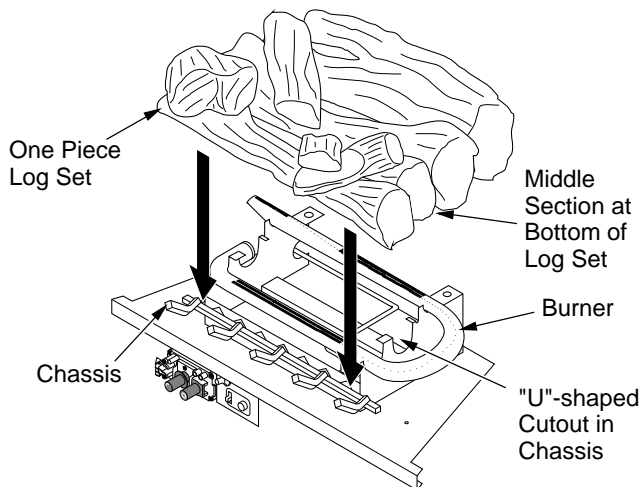


Figure 28 - Installing One Piece Log Set (Models VYGF33NRA & VYGF33PRA)

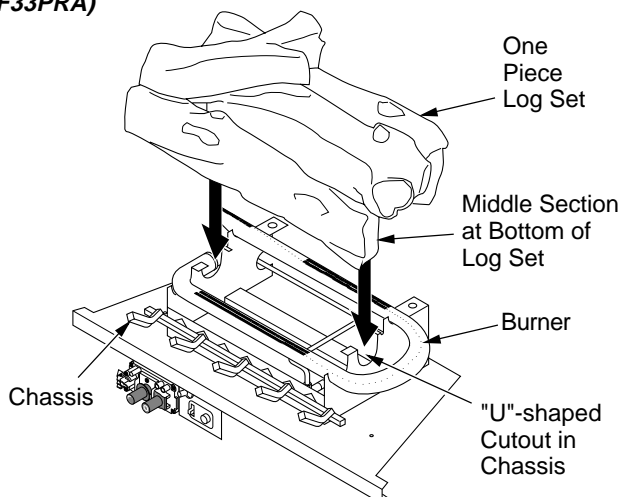


Figure 29 - Installing One Piece Log Set (Models FPVF33NR & FPVF33PR)

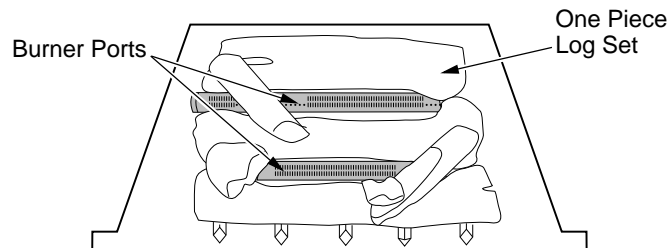


Figure 30 - Installing One Piece Log Set (Top View Models VYGF33NRA & VYGF33PRA)

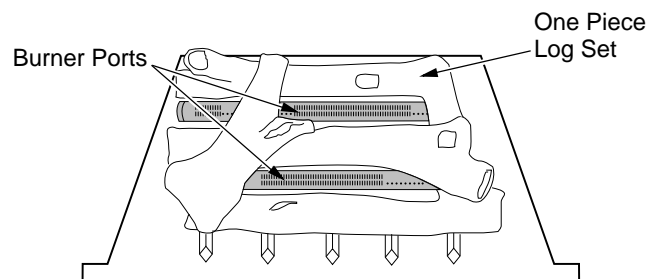


Figure 31 - Installing One Piece Log Set (Top View Models FPVF33NR & FPVF33PR)

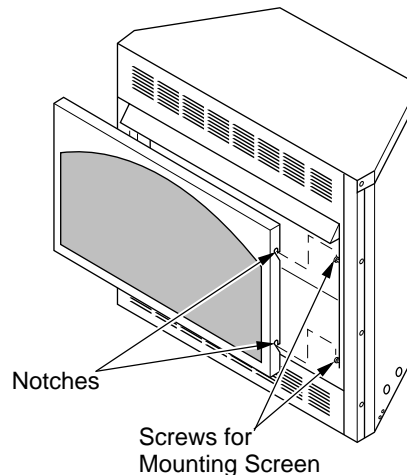


Figure 32 - Installing Fireplace Screen (Model VYGF33NRA shown)

For more information, visit www.desatech.com

INSTALLATION

Continued

OPTIONAL WIRELESS HAND-HELD REMOTE CONTROL ACCESSORIES (GHRC and GHRCTA Series)

Installing Remote Receiver Unit

1. Disconnect switch wires from the control valve.
2. Remove screws attaching switchplate.
3. Remove switch plate (see Figure 33). Discard after removing.
4. Install remote receiver unit onto gas log heater base using mounting clips.
5. Push clips firmly into place (see Figure 34).
6. Connect wires as shown in Figure 35.

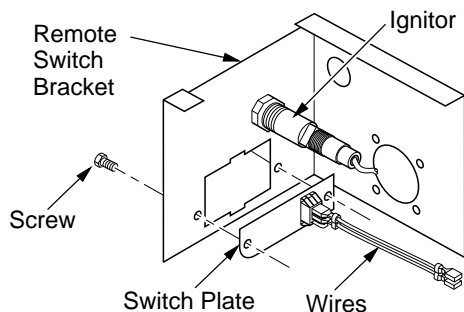


Figure 33 - Switch Plate and Wiring Harness

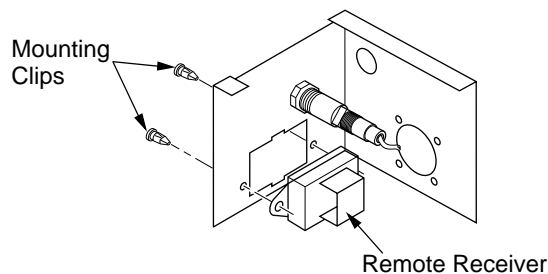


Figure 34 - Installing Remote Receiver

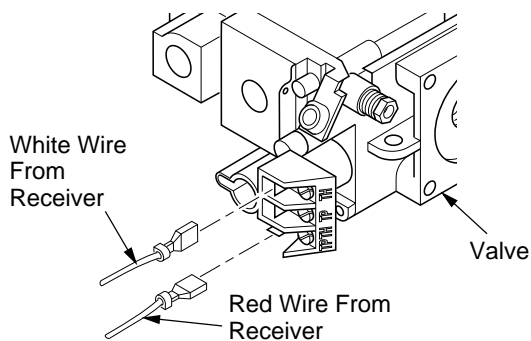


Figure 35 - Connecting Wires

INSTALLING 9-VOLT BATTERIES

Two 9-volt batteries (not included) are required to operate this heater with the wireless hand held remote control set. Install one battery in the receiver and one in the hand-held remote control unit.
Note: Only use alkaline batteries.

Installing 9-Volt Battery in Receiver

1. Locate back of receiver under front burner of heater.
2. Locate the battery clip mounted on the back of the receiver.
3. Slide a 9-volt battery through the clip.
4. Attach the terminal wires to the battery.

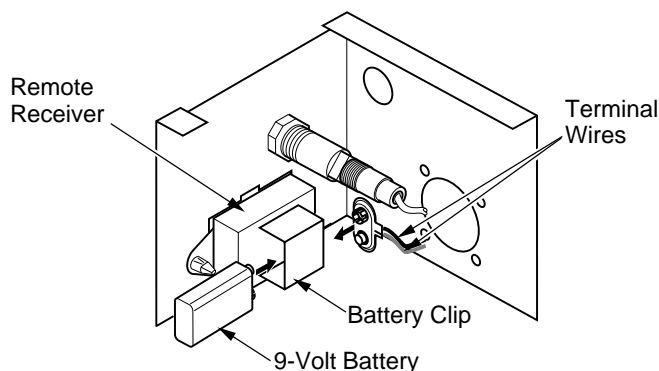


Figure 36 - Installing Battery in Remote Receiver

Installing 9-Volt Battery in Hand-Held Remote Control Unit

1. Remove battery cover on back of remote control unit.
2. Attach terminal wires to the battery. Place battery into the battery housing.
3. Replace battery cover onto remote control unit.

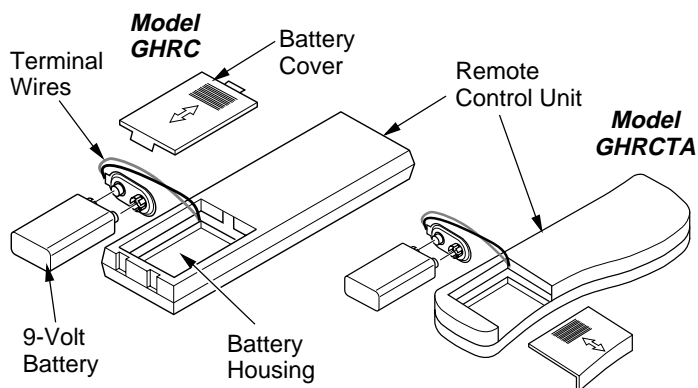


Figure 37 - Installing Battery in Hand-Held Remote Control Unit

OPERATING FIREPLACE

FOR YOUR SAFETY READ BEFORE LIGHTING

⚠ WARNING: If you do not follow these instructions exactly, a fire or explosion may result causing property damage, personal injury or loss of life.

- A. This appliance has a pilot which must be lighted by hand. When lighting the pilot, follow these instructions exactly.
- B. **BEFORE LIGHTING** smell all around the appliance area for gas. Be sure to smell next to the floor because some gas is heavier than air and will settle on the floor.
WHAT TO DO IF YOU SMELL GAS
 - Do not try to light any appliance.
 - Do not touch any electric switch; do not use any phone in your building.
 - Immediately call your gas supplier from a neighbor's phone. Follow the gas supplier's instructions.
 - If you cannot reach your gas supplier, call the fire department.
- C. Use only your hand to push in or turn the gas control knob. Never use tools. If the knob will not push in or turn by hand, don't try to repair it, call a qualified service technician or gas supplier. Force or attempted repair may result in a fire or explosion.
- D. Do not use this appliance if any part has been under water. Immediately call a qualified service technician to inspect the appliance and to replace any part of the control system and any gas control which has been under water.




LIGHTING INSTRUCTIONS

⚠ WARNING: You must operate this fireplace with the fireplace screen in place. Make sure fireplace screen is installed before running fireplace.

NOTICE: During initial operation of new fireplace, burning logs will give off a paper-burning smell. Open damper or window to vent smell. This will only last a few hours.

1. **STOP!** Read the safety information above.
2. Make sure equipment shutoff valve is fully open.
3. Set selector switch in OFF position.

⚠ WARNING: Burner will come on automatically within one minute when the selector switch is in the ON position after the pilot is lit.

4. Press in and turn control knob clockwise  to the OFF position.
 5. Wait five (5) minutes to clear out any gas. Then smell for gas, including near the floor. If you smell gas, **STOP!** Follow "B" in the safety information, column 1. If you don't smell gas, go to the next step.
 6. Press in and turn control knob counterclockwise  to the PILOT position. Press in control knob for five (5) seconds (see Figure 38).
- Note:** You may be running this heater for the first time after hooking up to gas supply. If so, the control knob may need to be pressed in for 30 seconds or more. This will allow air to bleed from the gas system.
7. With control knob pressed in, press and release ignitor button. This will light pilot. The pilot is attached to the front burner. If needed, keep pressing ignitor button until pilot lights.
Note: If pilot does not stay lit, contact a qualified service person or gas supplier for repairs. Until repairs are made, light pilot with match. To light pilot with match, see *Manual Lighting Procedure* on page 19.
 8. Keep control knob pressed in for 30 seconds after lighting pilot. After 30 seconds, release control knob.
 - If control knob does not pop out when released, contact a qualified service person or gas supplier for repairs.
Note: If pilot goes out, repeat steps 4 through 8.
 9. Slightly push in and turn control knob counterclockwise  to the ON position.
 10. Wait one minute and switch selector switch to the ON position to light burner.
 11. Set flame adjustment knob to any level between HI and LO.

⚠ CAUTION: Do not try to adjust heating levels by using the equipment shutoff valve.

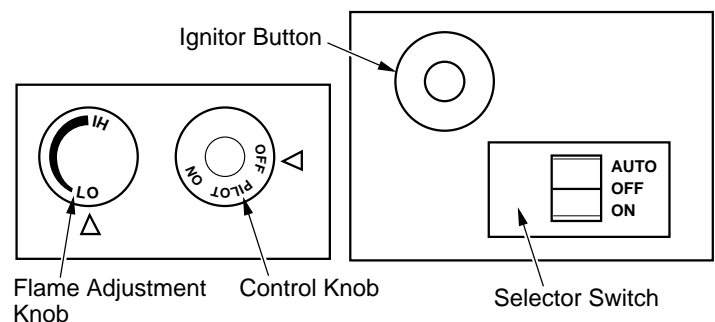


Figure 38 - Control Knob and Ignitor Button Location (Shown as Supplied, No Control Options)

OPERATING FIREPLACE

Continued

⚠ WARNING: Make sure the selector switch is in the OFF position when you are away from home for long periods of time. Fireplace will come on automatically with selector switch in the ON position.

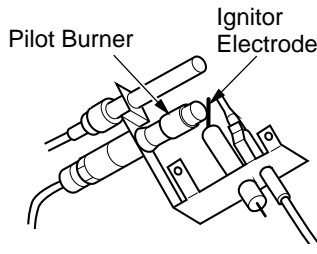
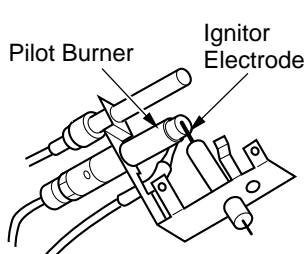


Figure 39 - Pilot (Propane/LP) Figure 40 - Pilot (Natural)

TO TURN OFF GAS TO APPLIANCE

Shutting Off Fireplace

1. Turn control knob clockwise to the OFF position.
- 2a. Set selector switch in the OFF position.
- 2b. If Using Optional Hand-Held Remote: Set selector switch in the OFF position to keep from draining the battery.

Shutting Off Burner Only (pilot stays lit)

You may shut off the burner and keep the pilot lit by doing one of the following:

- Turn control knob clockwise to the PILOT position.
- Use remote control manual OFF button.
- Set selector switch in the OFF position.

MANUAL LIGHTING PROCEDURE

1. Follow steps 1 through 6 under *Lighting Instructions*, page 18.
2. Depress control knob and light pilot with match.
3. Keep control knob pressed in for 30 seconds after lighting pilot. After 30 seconds, release control knob. Now follow steps 9 through 11 under *Lighting Instructions*, page 18.

OPTIONAL REMOTE OPERATION

Note: All remote control accessories must be purchased separately (see *Accessories*, pages 34 and 35). Follow instructions included with the remote control.

Thermostat Control Operation

(Optional GHRCTA Series Only) The thermostat control setting on the remote control unit can be set to any comfort level between WARMER and COOLER. The burner will turn on and off automatically to maintain the comfort level you select. The ideal comfort setting will vary by household depending upon the amount of space to be heated, the output of the central heating system, etc.

For wall thermostat operation, follow instruction supplied with thermostat accessory GWMT1. For wall switch operation follow instructions supplied with GWMS2.

NOTICE: You must light the pilot before using the hand-held remote control unit. See *Lighting Instructions* on page 18.

1. After lighting, let pilot flame burn for about one minute. Turn control knob to ON position. Adjust flame adjustment knob anywhere between HI and LO. Slide the selector switch to the REMOTE position (see Figure 41). **Note:** The burner may light if hand-held remote ON button was on when selector switch was last turned off. You can now turn the burner on and off with the hand-held remote control unit.
IMPORTANT: Do not leave the selector switch in the REMOTE position when the pilot is not lit. This will drain the battery.
IMPORTANT: Be sure to press the ON/OFF buttons on the hand-held remote control unit for up to 3 seconds to assure proper operation.

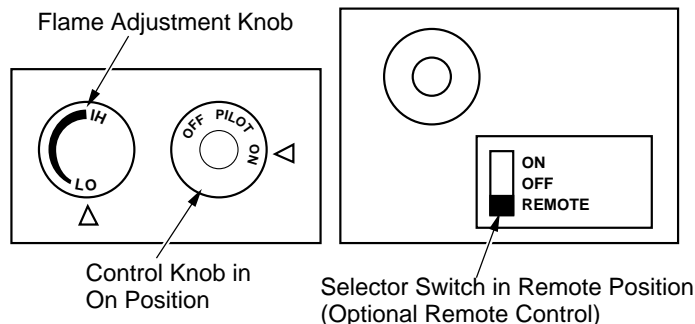


Figure 41 - Setting the Selector Switch, Control Knob, and Flame Adjustment Knob for Remote Operation

OPERATING FIREPLACE

Continued

GHRC Series Operation:

- 2a. Press the ON/OFF button to turn the burner on and off. When turning burner off, the pilot will remain lit.

GHRCTA Series Operation:

- 2b. Press the AUTO/ON/OFF button on the hand-held remote control (see Figure 42). The lights to the left of the button will show AUTO, ON, or OFF.

- In the ON mode, the burner will ignite. The heater is in manual mode when ON is lit.
- In the AUTO mode, the thermostat in the hand-held remote unit controls the room temperature. To increase the room temperature, press the top arrow of the TEMP button. To lower the room temperature, press the bottom arrow of the TEMP button. At higher settings the heater will run longer.

IMPORTANT: This remote control has been specially engineered to take an air temperature sample every minute in the auto mode. It will not respond immediately to the temperature setting being turned up or down.

IMPORTANT: The hand-held remote control unit must be near the fireplace. Do not keep the hand-held remote control unit too close to the fireplace. The thermostat on the hand-held remote control unit will heat up too quickly and turn the fireplace off.

3. To turn the burner off, press the AUTO/ON/OFF button until OFF lights. The pilot will remain lit.

IMPORTANT: To turn the pilot off, manually turn the control knob on the fireplace to the OFF position.

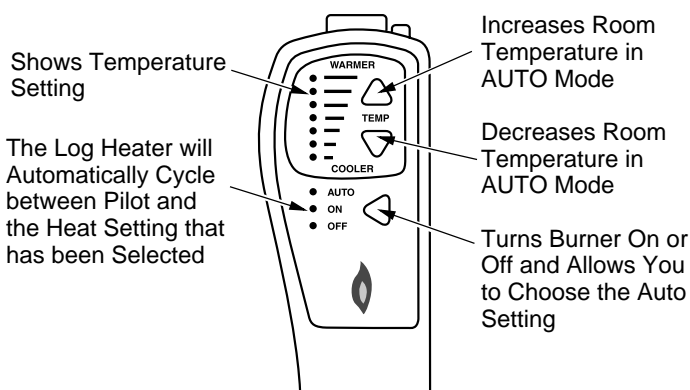


Figure 42 - Thermostat Hand-Held Remote Control Unit Selections (GHRCTA Series Only)

OPTIONAL BLOWER OPERATION

Locate the blower switch by opening lower louver on fireplace. Blower switch is located at lower right inside louver door.

The GA3700T Series thermostat-controlled blower has a variable speed control with an ON/OFF switch. The blower will start when the thermostat senses a sufficient increase in firebox temperature. The GA3700 variable speed blower also has an ON/OFF switch built into the variable speed control.

Note for GA3700T Series Only: If you are using GA3700T blower, your fireplace and blower will not turn on and off at the same time. The fireplace may run for several minutes before the blower turns on. After the heater modulates to the pilot position, the blower will continue to run. The blower will shut off after the firebox temperature decreases.

Note: It is safe to operate fireplace with blower turned off. However, the blower helps distribute heated air from the fireplace.

Follow installation instructions included with the blower accessory.

INSPECTING BURNERS

Check pilot flame pattern and burner flame patterns often.

PILOT FLAME PATTERN

Figure 43 shows a correct pilot flame pattern. Figure 44 shows an incorrect pilot flame pattern. The incorrect pilot flame is not properly heating the thermocouple. When the thermocouple cools, the heater will shut down.

If pilot flame pattern is incorrect, as shown in Figure 44

- turn heater off (see *To Turn Off Gas to Appliance*, page 19)
- see *Troubleshooting*, pages 23 through 25

Note: The pilot flame on a natural gas units will have a slight curve, but flame should be blue and have no yellow or orange color.

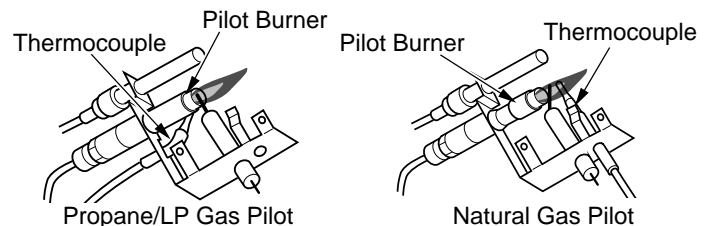


Figure 43 - Correct Pilot Flame Pattern

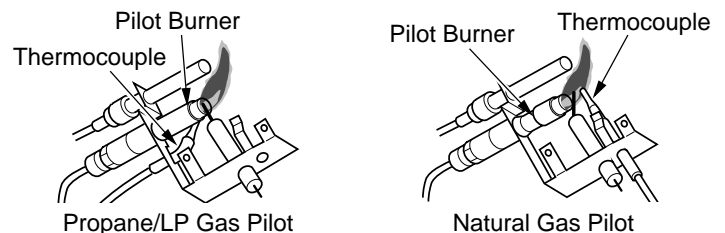


Figure 44 - Incorrect Pilot Flame Pattern

For more information, visit www.desatech.com

INSPECTING BURNERS

Continued

BURNER PRIMARY AIR HOLES

Air is drawn into the burner through the holes in the fitting at the burner entrance. These holes may become blocked with dust or lint. Periodically inspect these holes for any blockage and clean if needed. Blocked air holes will create soot.

MAIN BURNER

Periodically inspect all burner flame holes with the fireplace running. All slotted burner flame holes should be open with yellow flame present. All round burner flame holes should be open with a small blue flame present. Some burner flame holes may become blocked by debris or rust, with no flame present. If so, turn off fireplace and let cool. Remove blockage. Blocked burner flame holes will create soot.

BURNER FLAME PATTERN

⚠ WARNING: If yellow tipping occurs, your fireplace could produce increased levels of carbon monoxide.

NOTICE: Do not mistake orange flames with yellow tipping. Dirt or other fine particles enter the fireplace and burn causing brief patches of orange flame.

Figure 45 shows a correct burner flame pattern. Figure 46 shows an incorrect burner flame pattern. The incorrect burner flame pattern shows the flame higher consistently higher than 1 inch above the logs.

If burner flame pattern is incorrect, as shown in Figure 46

- turn heater off (see *To Turn Off Gas To Appliance*, page 19)
- see *Troubleshooting*, pages 23 through 25

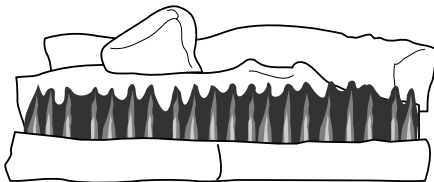


Figure 45 - Correct Burner Flame Pattern

Yellow Tipping

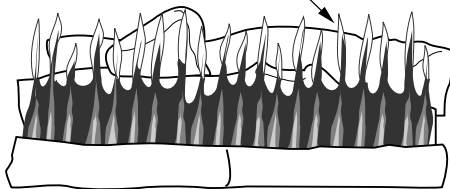


Figure 46 - Incorrect Burner Flame Pattern

CLEANING AND MAINTENANCE

⚠ WARNING: Turn off fireplace and let cool before cleaning.

⚠ CAUTION: You must keep control areas, burner, and circulating air passageways of fireplace clean. Inspect these areas of fireplace before each use. Have fireplace inspected yearly by a qualified service person. Fireplace may need more frequent cleaning due to excessive lint from carpeting, bedding material, pet hair, etc.

CLEANING BURNER INJECTOR HOLDER AND PILOT AIR INLET HOLE

The primary air inlet holes allow the proper amount of air to mix with the gas. This provides a clean burning flame. Keep these holes clear of dust, dirt, lint, and pet hair. Clean these air inlet holes prior to each heating season. Blocked air holes will create soot. We recommend that you clean the unit every three months during operation and have heater inspected yearly by a qualified service person.

We also recommend that you keep the burner tube and pilot assembly clean and free of dust and dirt. To clean these parts we recommend using compressed air no greater than 30 PSI. Your local computer store, hardware store, or home center may carry compressed air in a can. You can use a vacuum cleaner in the blow position. If using compressed air in a can, please follow the directions on the can. If you don't follow directions on the can, you could damage the pilot assembly.

1. Shut off the unit, including the pilot. Allow the unit to cool for at least thirty minutes.
2. Inspect burner, pilot, and primary air inlet holes on injector holder for dust and dirt (see Figure 47 and Figure 48, page 22).
3. Blow air through the ports/slots and holes in the burner.
4. Check the injector holder located at the end of the burner tube again. Remove any large particles of dust, dirt, lint, or pet hair with a soft cloth or vacuum cleaner nozzle.

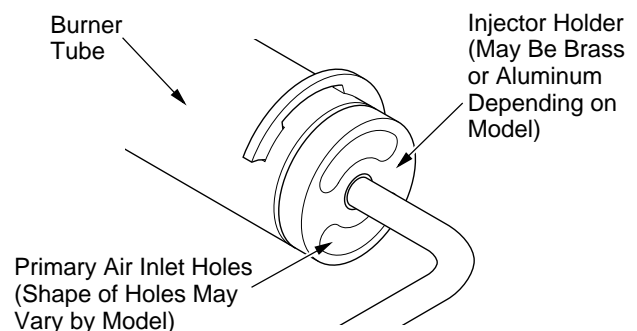


Figure 47 - Injector Holder On Outlet Burner Tube

For more information, visit www.desatech.com

DESA

CLEANING AND MAINTENANCE

Continued

5. Blow air into the primary air holes on the injector holder.
6. In case any large clumps of dust have now been pushed into the burner repeat steps 3 and 4, page 21.

Clean the pilot assembly also. A yellow tip on the pilot flame indicates dust and dirt in the pilot assembly. There is a small pilot air inlet hole about two inches from where the pilot flame comes out of the pilot assembly (see Figure 48). With the unit off, lightly blow air through the air inlet hole. You may blow through a drinking straw if compressed air is not available.

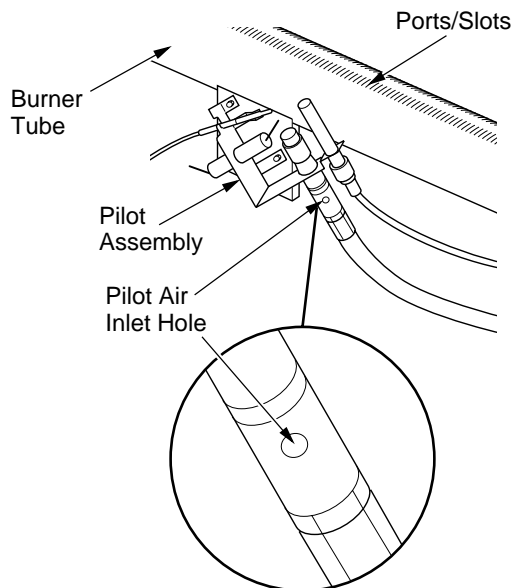


Figure 48 - Pilot Inlet Air Hole

LOGS

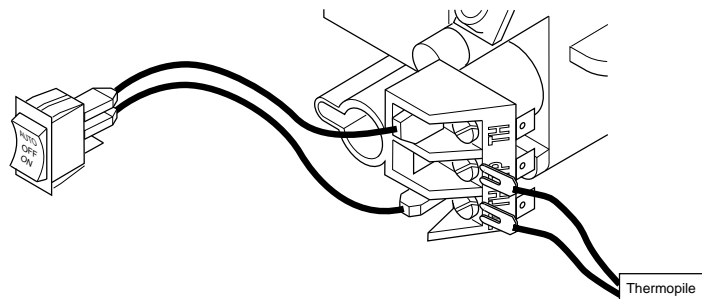
- If you remove logs for cleaning, refer to *Installing Logs*, pages 15 and 16, to properly replace logs.
- Replace log(s) if broken or chipped (dime-sized or larger).

MAIN BURNER

Periodically inspect all burner flame holes with the fireplace running. All slotted burner flame holes should be open with yellow flame present. All round burner flame holes should be open with a small blue flame present. Some burner flame holes may become blocked by debris or rust, with no flame present. If so, turn off fireplace and let cool. Remove blockage. Blocked burner flame holes will create soot.

WIRING DIAGRAM

Note: For proper operation of optional accessories, the wires from the switch to the control must be connected exactly as shown.



SPECIFICATIONS

	VYGF33NRA
	FPVF33NR
Btu (Variable)	20,000/30,000
Type Gas	Natural Gas Only
Ignition	Piezo
Pressure Manifold	3.5" W.C.
Inlet Gas Pressure (in. of water)	
Maximum	10.5"
Minimum*	5"
Shipping Weight	122 lbs.
* For input adjustment	

	VYGF33PRA
	FPVF33PR
Btu (Variable)	20,000/33,000
Type Gas	Propane/LP Only
Ignition	Piezo
Pressure Manifold	8.0" W.C.
Inlet Gas Pressure (in. of water)	
Maximum	14"
Minimum*	11"
Shipping Weight	122 lbs.
* For input adjustment	

TROUBLESHOOTING

Note: For additional help, visit DESA International's technical service web site at www.desatech.com.

⚠ WARNING: Turn off and let cool before servicing. Only a qualified service person should service and repair heater.

⚠ CAUTION: Never use a wire, needle, or similar object to clean ODS/pilot. This can damage ODS/pilot unit.

Note: All troubleshooting items are listed in order of operation.

OBSERVED PROBLEM	POSSIBLE CAUSE	REMEDY
When ignitor button is pressed, there is no spark at ODS/pilot	<ol style="list-style-type: none"> Ignitor electrode not connected to ignitor cable Ignitor cable pinched or wet Piezo ignitor nut is loose Broken ignitor cable Bad piezo ignitor Ignitor electrode positioned wrong Ignitor electrode broken 	<ol style="list-style-type: none"> Reconnect ignitor cable Free ignitor cable if pinched by any metal or tubing. Keep ignitor cable dry Tighten nut holding piezo ignitor to base panel of log set. Nut is located behind base panel. Replace ignitor cable Replace piezo ignitor Replace pilot assembly Replace pilot assembly
When ignitor button is pressed, there is spark at ODS/pilot but no ignition	<ol style="list-style-type: none"> Gas supply turned off or equipment shutoff valve closed Control knob not in PILOT position Control knob not pressed in while in PILOT position Air in gas lines when installed Depleted gas supply (propane/LP only) ODS/pilot is clogged Gas regulator setting is not correct 	<ol style="list-style-type: none"> Turn on gas supply or open equipment shutoff valve Turn control knob to PILOT position Press in control knob while in PILOT position Continue holding down control knob. Repeat igniting operation until air is removed Contact local propane/LP gas company Clean ODS/pilot (see <i>Cleaning and Maintenance</i>, page 21) or replace ODS/pilot assembly Replace gas regulator
ODS/pilot lights but flame goes out when control knob is released	<ol style="list-style-type: none"> Control knob not fully pressed in Control knob not pressed in long enough Equipment shutoff valve not fully open Pilot flame not touching thermocouple, which allows thermocouple to cool, causing pilot flame to go out. This problem could be caused by one or both of the following: <ol style="list-style-type: none"> Low gas pressure Dirty or partially clogged ODS/pilot Thermocouple connection loose at control valve Thermocouple damaged Control valve damaged 	<ol style="list-style-type: none"> Press in control knob fully After ODS/pilot lights, keep control knob pressed in 30 seconds Fully open equipment shutoff valve A) Contact local natural or propane/LP gas company B) Clean ODS/pilot (see <i>Cleaning and Maintenance</i>, page 21) or replace ODS/pilot assembly Hand tighten until snug, then tighten 1/4 turn more Replace pilot assembly Replace control valve

TROUBLESHOOTING

Continued

OBSERVED PROBLEM	POSSIBLE CAUSE	REMEDY
Burner does not light after ODS/pilot is lit	<ol style="list-style-type: none"> 1. Inlet gas pressure is too low 2. Burner orifice(s) clogged 3. Thermopile leads disconnected or improperly connected 4. Burner will not come on in remote position 	<ol style="list-style-type: none"> 1. Contact local natural or propane/LP gas company 2. Clean burner(s) (see <i>Cleaning and Maintenance</i>, page 21) or replace burner orifice(s) 3. Reconnect leads (see <i>Wiring Diagram</i>, page 22) 4. Replace battery in transmitter and receiver
Delayed ignition of one or both burners	<ol style="list-style-type: none"> 1. Manifold pressure is too low 2. Burner orifice(s) clogged 	<ol style="list-style-type: none"> 1. Contact local natural or propane/LP gas company 2. Clean burner(s) (see <i>Cleaning and Maintenance</i>, page 21) or replace burner orifice(s)
Burner backfiring during combustion	<ol style="list-style-type: none"> 1. Burner orifice is clogged or damaged 2. Damaged burner 3. Gas regulator defective 	<ol style="list-style-type: none"> 1. Clean burner (see <i>Cleaning and Maintenance</i>, page 21) or replace burner orifice(s) 2. Replace damaged burner 3. Replace gas regulator
Slight smoke or odor during initial operation	<ol style="list-style-type: none"> 1. Not enough air 2. Gas regulator defective 3. Residues from manufacturing processes and logs curing 	<ol style="list-style-type: none"> 1. Check burner for dirt and debris. If found, clean burner (see <i>Cleaning and Maintenance</i>, page 21) 2. Replace gas control 3. Problem will stop after a few hours of operation
Moisture/condensation noticed on windows		
Heater produces a whistling noise when burners are lit	<ol style="list-style-type: none"> 1. Not enough combustion/ventilation air 	<ol style="list-style-type: none"> 1. Refer to <i>Air for Combustion and Ventilation</i> requirements (page 5)
	<ol style="list-style-type: none"> 1. Turning control knob to HI position when burners are cold 2. Air in gas line 3. Air passageways on heater blocked 4. Dirty or partially clogged burner orifice(s) 	<ol style="list-style-type: none"> 1. Turn control knob to LO position and let warm up for a minute 2. Operate burners until air is removed from line. Have gas line checked by local natural or propane/LP gas company 3. Observe minimum installation clearances (see pages 8 through 11) 4. Clean burners (see <i>Cleaning and Maintenance</i>, page 21) or replace burner orifice(s)
White powder residue forming within burner box or on adjacent walls or furniture	<ol style="list-style-type: none"> 1. When heated, vapors from furniture polish, wax, carpet cleaners, etc. may turn into white powder residue 	<ol style="list-style-type: none"> 1. Turn heater off when using furniture polish, wax, carpet cleaners, or similar products
Remote does not function (GHRC and GHRCTA only)	<ol style="list-style-type: none"> 1. Battery is not installed. Battery power is low 	<ol style="list-style-type: none"> 1. Replace 9-volt batteries in receiver and remote control

TROUBLESHOOTING

Continued



WARNING: If you smell gas

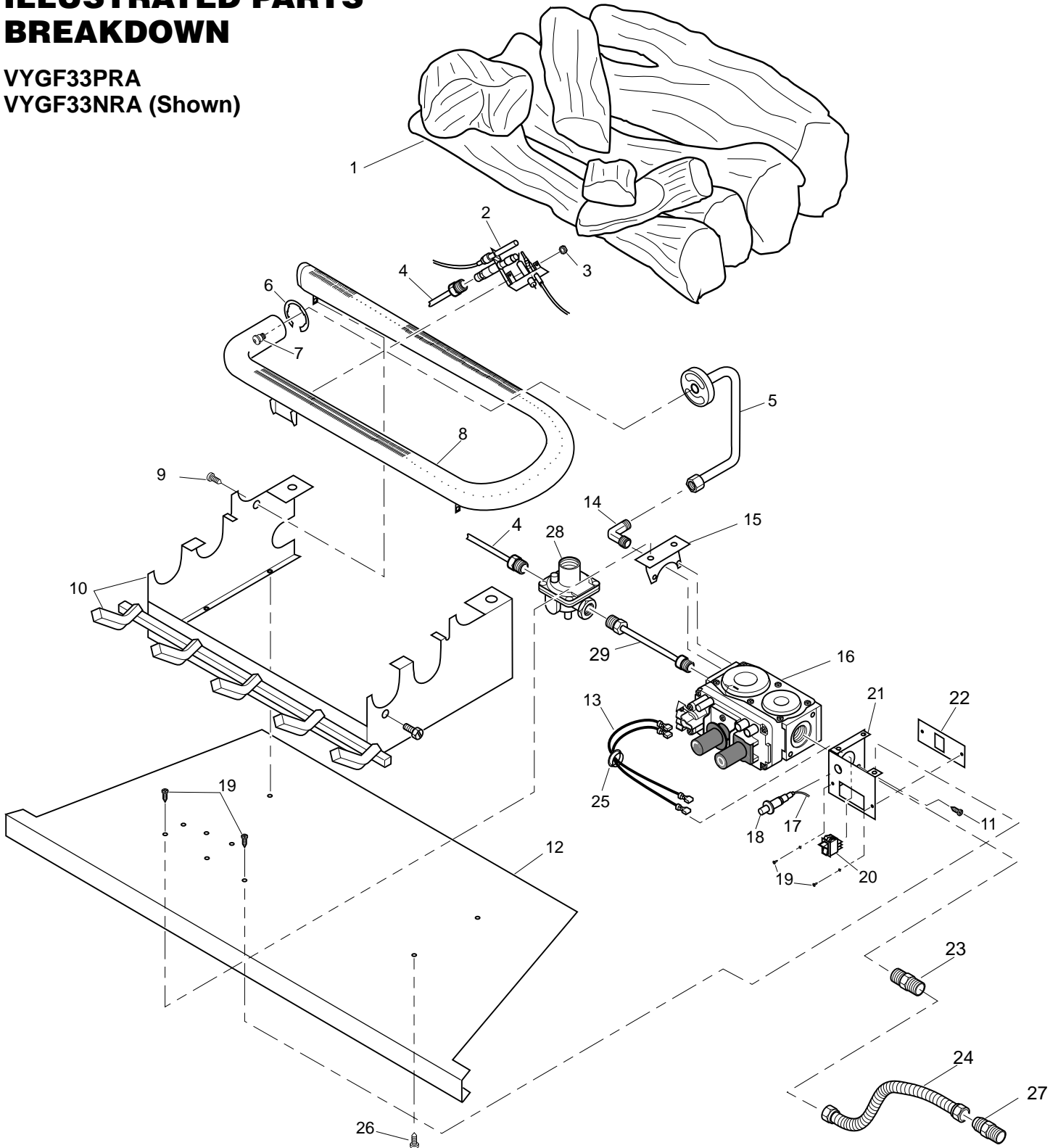
- Shut off gas supply.
- Do not try to light any appliance.
- Do not touch any electrical switch; do not use any phone in your building.
- Immediately call your gas supplier from a neighbor's phone. Follow the gas supplier's instructions.
- If you cannot reach your gas supplier, call the fire department.

IMPORTANT: Operating fireplace where impurities in air exist may create odors. Cleaning supplies, paint, paint remover, cigarette smoke, cements and glues, new carpet or textiles, etc., create fumes. These fumes may mix with combustion air and create odors. These odors will disappear over time.

OBSERVED PROBLEM	POSSIBLE CAUSE	REMEDY
Fireplace produces a clicking/ticking noise just after burner is lit or shut off	1. Metal expanding while heating or contracting while cooling	1. This is common with most heaters. If noise is excessive, contact qualified service person
Fireplace produces unwanted odors	1. Heater burning vapors from paint, hair spray, glues, cleaners, chemicals, new carpet, etc. (See IMPORTANT statement above) 2. Low fuel supply (propane/LP only) 3. Gas leak. See Warning statement at top of page	1. Open window to ventilate room. Stop using odor causing products while heater is running 2. Refill supply tank (propane/LP only) 3. Locate and correct all leaks (see <i>Checking Gas Connections</i> , page 14)
Fireplace shuts off in use (ODS operates)	1. Not enough fresh air is available 2. Low line pressure 3. ODS/pilot is partially clogged	1. Open window and/or door for ventilation 2. Contact local natural or propane/LP gas company 3. Clean ODS/pilot (see <i>Cleaning and Maintenance</i> , page 21)
Gas odor even when control knob is in OFF position	1. Gas leak. See Warning statement at top of page 2. Control valve or gas control defective	1. Locate and correct all leaks (see <i>Checking Gas Connections</i> , page 14) 2. Replace control valve or gas control
Gas odor during combustion	1. Foreign matter between control valve and burner 2. Gas leak. See Warning statement at top of page	1. Take apart gas tubing and remove foreign matter 2. Locate and correct all leaks (see <i>Checking Gas Connections</i> , page 14)
Dark residue on logs inside of their fireplace <i>Note:</i> After removing all causes of residue deposits, completely clean fireplace and appliance off residue before reusing appliance	1. Improper log placement 2. Drafts or other air currents affecting flame pattern 3. Air holes at burner inlet blocked 4. Burner flame holes blocked	1. Properly locate logs (see <i>Installing Logs</i> , pages 15 and 16) 2. Eliminate source of drafts around heater 3. Clean out air holes at burner inlet. Periodically repeat as needed 4. Remove blockage

For more information, visit www.desatech.com



**ILLUSTRATED PARTS
BREAKDOWN**VYGF33PRA
VYGF33NRA (Shown)**For more information, visit www.desatech.com**

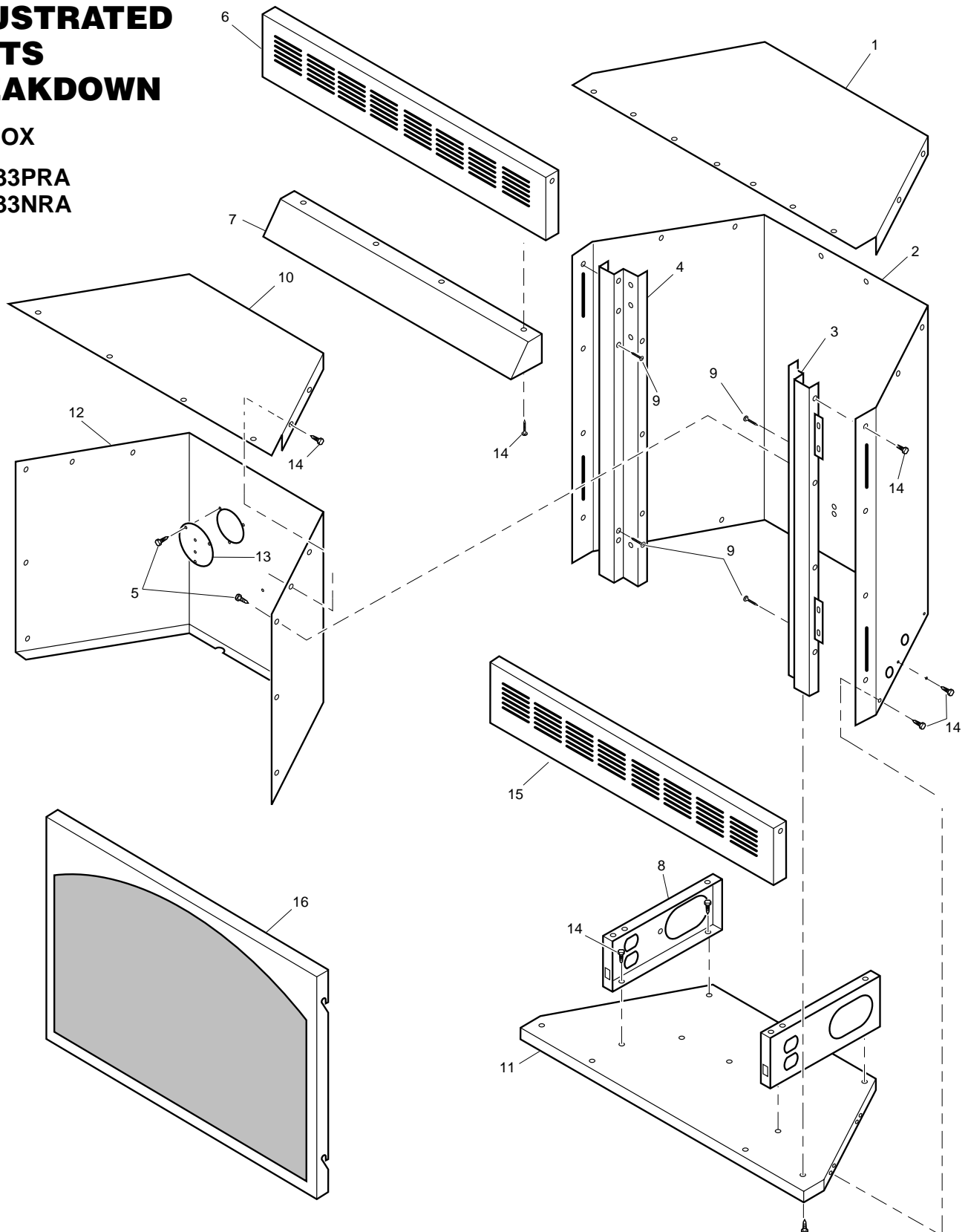
PARTS LIST

This list contains replaceable parts used in your fireplace. When ordering parts, follow the instructions listed under *Replacement Parts* on page 36 of this manual.

KEY NO.	PART NUMBER		DESCRIPTION	QTY.
	VYGF33PRA	VYGF33NRA		
1	102785-03	102785-03	Log, Golden Oak	1
2	103778-01	103779-01	ODS Pilot	1
3	098249-01	098249-01	ODS Nut	2
4	099387-09	100609-01	Pilot Tube	1
5	104229-02	104229-01	Burner Outlet Tube	1
6	102843-01	102843-01	Burner Clip	1
7	099056-19	099056-26	Burner Orifice Injector	1
8	102772-01	102772-01	Burner	2
9	M11084-38	M11084-38	Screw, #8 x .38	2
10	104236-01CK	104236-01CK	Painted Base Assy	1
11	M12461-26	M12461-26	Screw, #10 x .32	4
12	104238-01CK	104238-01CK	Firebox Bottom	1
13	103284-03	103284-03	Wiring Harness	1
14	098265-02	098265-02	Elbow, Male	1
15	103782-01	103782-01	Valve Bracket	1
16	103781-02	103781-01	Gas Control Valve	1
17	098271-03	098271-03	Ignitor Cable	1
18	102445-01	102445-01	Piezo Ignitor	1
19	098304-01	098304-01	Screw	7
20	099998-01	099998-01	Switch	1
21	104241-01	104241-01	Remote Switch Bracket	1
22	103587-01CK	103587-01CK	Switch Plate	1
23	097809-02	097809-02	Male Connector	1
24	101628-03	101628-03	Flexible Connector (Hose)	1
25	M50104-02	M50104-02	Bushing	1
26	M11084-26	M11084-26	Screw, #10 x .38	4
27	901063-01	901063-01	3/8" Flare x 1/2" NPT	1
28	—	099918-02	Pilot Regulator (Natural Only)	1
29	—	099387-07	Pilot Tube (Valve to Regulator)	1
PARTS AVAILABLE — NOT SHOWN				
	097555-01	097555-01	Caution Decal	1

**ILLUSTRATED
PARTS
BREAKDOWN**

FIREBOX

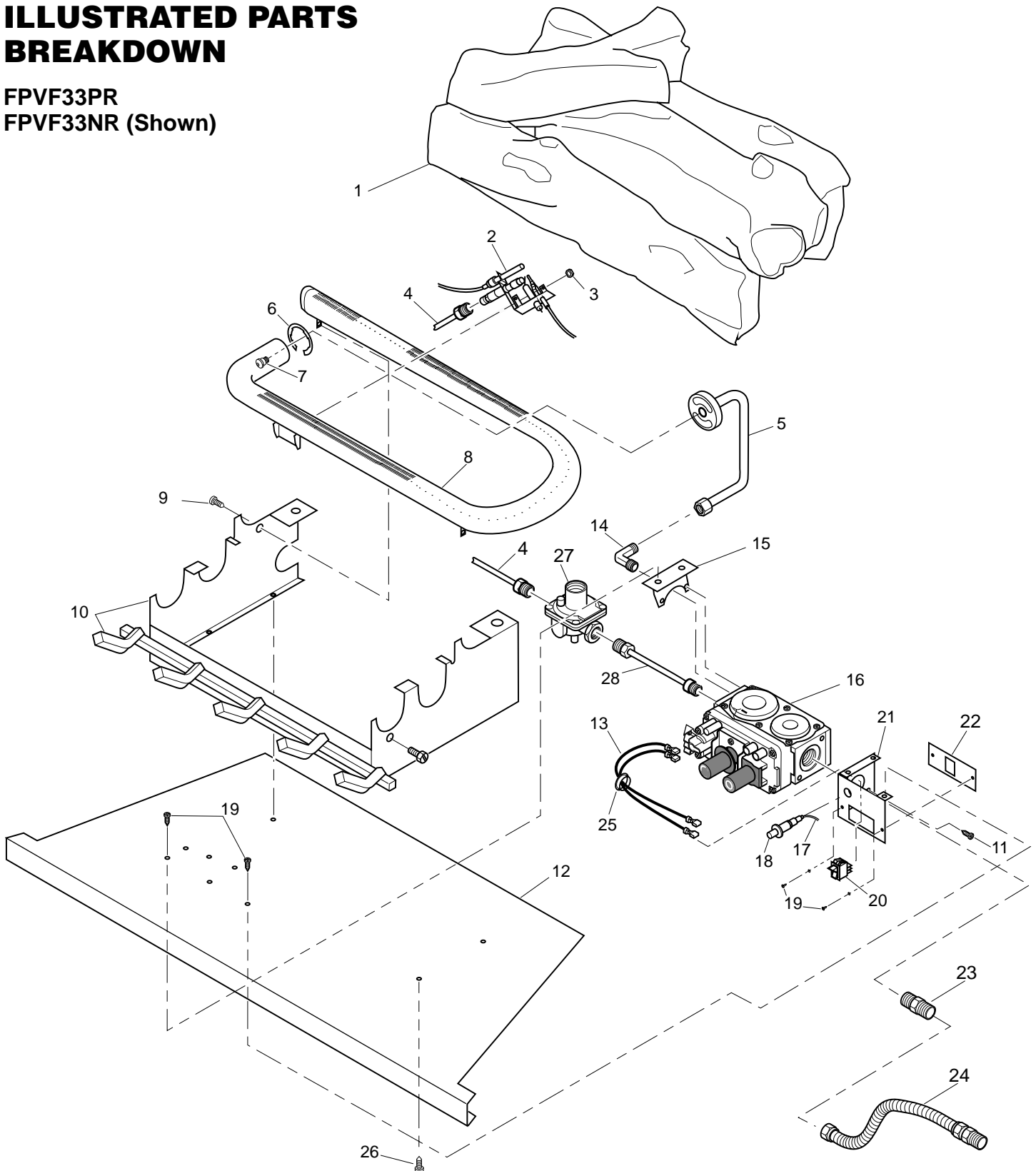
VYGF33PRA
VYGF33NRA**For more information, visit www.desatech.com**

PARTS LIST

FIREBOX VYGF33PRA & VYGF33NRA

This list contains replaceable parts used in your fireplace. When ordering parts, follow the instructions listed under *Replacement Parts* on page 36 of this manual.

KEY NO.	PART NUMBER	DESCRIPTION	QTY.
1	101357-01	Top Outer Casing	1
2	103207-01	Outer Casing	1
3	102758-02CK	Right Front Side	1
4	102759-02CK	Left Front Side	1
5	098304-01	Phillips Pan Head Screw, #10	9
6	104239-01CK	Top Front Louver	1
7	101712-03	Firebox Hood	1
8	101348-01	Firebox Support	2
9	099230-02	Shoulder Screw	4
10	101872-03	Firebox Top	1
11	101346-01	Outer Base	1
12	101838-03CJ	Firebox Wrapper	1
13	101514-01	Cover	1
14	M11084-26	Hex Screw, #10	45
15	104242-01CK	Bottom Louvered Door	1
16	101727-03	Screen Assembly	1
PARTS AVAILABLE — NOT SHOWN			
	101386-02	Louvered Door Hinge	2
	101784-01	Magnet Catch	2
	102307-01	Strike Plate	2

**ILLUSTRATED PARTS
BREAKDOWN**FPVF33PR
FPVF33NR (Shown)**For more information, visit www.desatech.com**

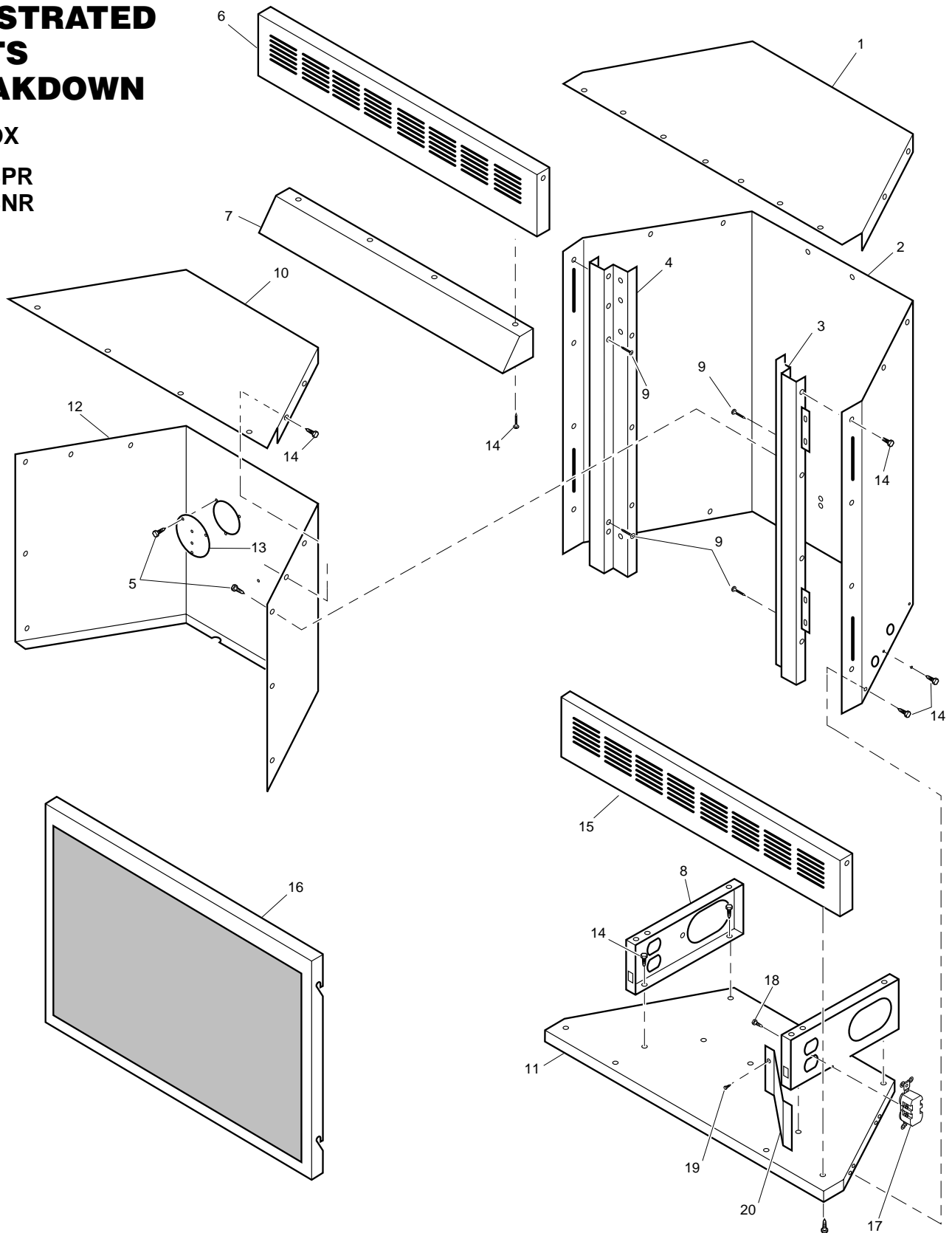
PARTS LIST

This list contains replaceable parts used in your fireplace. When ordering parts, follow the instructions listed under *Replacement Parts* on page 36 of this manual.

KEY NO.	PART NUMBER		DESCRIPTION	QTY.
	FPVF33PR	FPVF33NR		
1	102785-01	102785-01	Log, Golden Oak	1
2	103778-01	103779-01	ODS Pilot	1
3	098249-01	098249-01	ODS Nut	2
4	099387-09	100609-01	Pilot Tube	1
5	104229-02	104229-01	Burner Outlet Tube	1
6	102843-01	102843-01	Burner Clip	1
7	099056-19	099056-26	Burner Orifice Injector	1
8	102772-01	102772-01	Burner	2
9	M11084-38	M11084-38	Screw, #8 x .38	2
10	104236-01CK	104236-01CK	Painted Base Assy	1
11	M12461-26	M12461-26	Screw, #10 x .32	4
12	104238-01CK	104238-01CK	Firebox Bottom	1
13	103284-03	103284-03	Wiring Harness	1
14	098265-02	098265-02	Elbow, Male	1
15	103782-01	103782-01	Valve Bracket	1
16	103781-02	103781-01	Gas Control Valve	1
17	098271-03	098271-03	Ignitor Cable	1
18	102445-01	102445-01	Piezo Ignitor	1
19	098304-01	098304-01	Screw	7
20	099998-01	099998-01	Switch	1
21	104241-01	104241-01	Remote Switch Bracket	1
22	103587-01CK	103587-01CK	Switch Plate	1
23	097809-02	097809-02	Male Connector	1
24	101628-03	101628-03	Flexible Connector (Hose)	1
25	M50104-02	M50104-02	Bushing	1
26	M11084-26	M11084-26	Screw, #10 x .38	4
27	—	099918-02	Pilot Regulator	1
28	—	099387-07	Pilot Tube (Valve to Regulator)	1

**ILLUSTRATED
PARTS
BREAKDOWN**

FIREBOX

FPVF33PR
FPVF33NR**For more information, visit www.desatech.com**

PARTS LIST

FIREBOX FPVF33PR & FPVF33NR

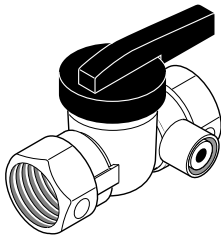
This list contains replaceable parts used in your fireplace. When ordering parts, follow the instructions listed under *Replacement Parts* on page 36 of this manual.

KEY NO.	PART NUMBER	DESCRIPTION	QTY.
1	101357-01	Top Outer Casing	1
2	103207-01	Outer Casing	1
3	102758-02CK	Right Front Side	1
4	102759-02CK	Left Front Side	1
5	098304-01	Phillips Pan Head Screw, #10	9
6	104239-01CK	Top Front Louver	1
7	101712-03	Firebox Hood	1
8	101348-01	Firebox Support	2
9	099230-02	Shoulder Screw	4
10	101872-03	Firebox Top	1
11	101346-01	Outer Base	1
12	101838-03CK	Firebox Wrapper	1
13	101514-01	Cover	1
14	M11084-26	Hex Screw, #10	45
15	104242-01CK	Bottom Louvered Door	1
16	101727-02	Screen Assembly	1
17	103769-01	Duplex Outlet	1
18	M12461-2	Hex Screw	1
19	098304-03	Screw	2
20	103706-01	Duplex Receptacle Shield	1
PARTS AVAILABLE — NOT SHOWN			
	101386-02	Louvered Door Hinge	2
	101784-01	Magnet Catch	2
	102307-01	Strike Plate	2
	103771-01	Strain Relief Fitting	1

ACCESSORIES

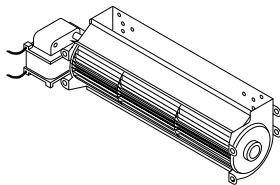
Notice: All accessories may not be available for all fireplace models.

Purchase these fireplace accessories from your local dealer. If they can not supply these accessories, call DESA International's Sales Department at 1-866-672-6040 for information. You can also write to the address listed on the back page of this manual.



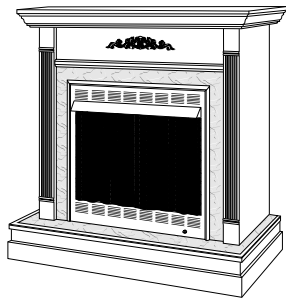
EQUIPMENT SHUTOFF VALVE - GA5010

For all models. Equipment shutoff valve with 1/8" NPT tap. Fits 1/2" NPT pipe.



BLOWER ACCESSORY GA3700 & GA3700T SERIES

For all models. Manual variable control and automatic thermostat variable control. A blower will increase air flow to maximize heat distribution.

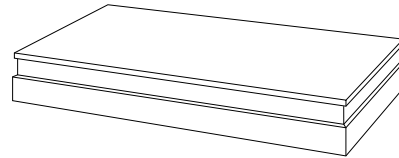


CABINET MANTEL

GM11F Series - Walnut Finished
GM12U Series - Unfinished
GM13F Series - Oak Finished with Medium Stain
GM102W Series - Off White Paint

For all models. Shown with optional base and laminate hearth and mantel trim accessories.

Dimensions (WxHxD): 56 3/4" x 48 3/4" x 20 5/8"

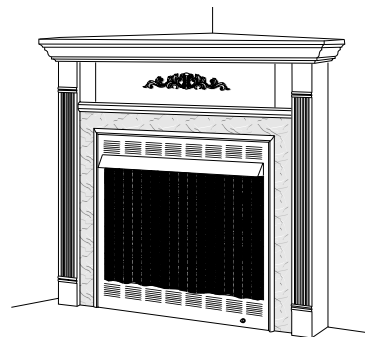


HARDWOOD HEARTH BASE

G3333F Series- Walnut Finished
G3334U Series - Unfinished
G3335F Series - Oak Finished with Medium Stain
G3004W Series - Off White Paint

For all models. The hearth base can be used with the cabinet mantels to create a handsome riser for the fireplace (cannot be used with corner mantel).

Dimensions (WxHxD): 58" x 6 1/2" x 28 9/16"



CORNER MANTEL

GM36F Series - Walnut Finished
GM37U Series - Unfinished
GM202F Series - Oak Finished

For models VYGF33PRA and VYGF33NRA. Shown with optional laminate mantel trim accessory.

Dimensions (WxHxD): 60 7/8" x 48 3/4" x 34 5/8"



CORNER HEARTH BASE

G3008F Series - Walnut Finished
G3009U Series - Unfinished
G3010F Series - Oak Finished

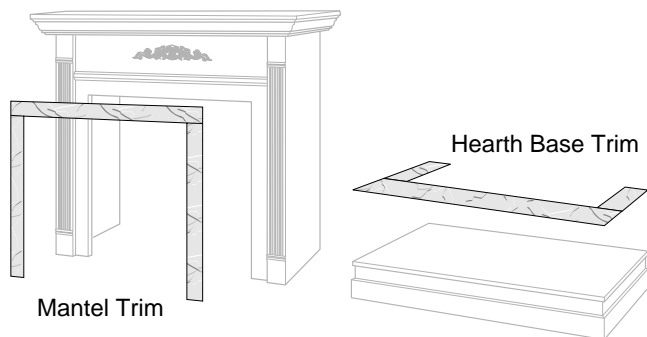
For models VYGF33PRA and VYGF33NRA. The corner hearth base is designed for use with the corner mantels to create a handsome riser for the fireplace.

Dimensions (WxHxD): 52 1/2" x 6" x 23 3/4"

For more information, visit www.desatech.com

ACCESSORIES

Continued



LAMINATE TRIM FOR HEARTH OR MANTEL

G3002J Series - Jade Marble Laminate Mantel Trim

G3003J Series - Jade Marble Laminate Hearth Base Trim

G3002S Series - Sandstone Marble Laminate Mantel Trim

G3003S Series - Sandstone Marble Laminate Hearth Base Trim

G3002B Series - Black Onyx Marble Laminate Trim

G3003B Series - Black Onyx Marble Laminate Hearth Base Trim

For models **VYGF33PRA** and **VYGF33NRA**. Mantel trim for cabinet, or corner mantel. Hearth base trim for hardwood hearth bases.

CLEANING KIT - GCK (Not Shown)

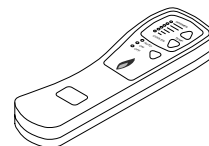
For all models. Your vent-free gas appliance requires regular cleaning and maintenance to prevent performance problems. This kit gives you the tools and instructions to make it easy to clean all critical areas of your appliance.

FIREBOX BRICK LINER - G8000A Series (Not Shown)

For all models. Ceramic fiber firebox liner adds the look of real brick.

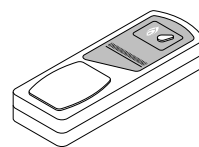
INFORMATION VIDEO - 108917-01

For all models. A care and maintenance video is available by calling 1-866-672-6040.



RECEIVER AND HAND-HELD THERMOSTAT REMOTE CONTROL KIT GHRCTA SERIES

For all models. Allows the gas log heater to be operated in a manually or thermostatically-controlled mode. You can turn the gas log heater on and off without ever leaving the comfort of your easy chair.



RECEIVER AND HAND-HELD REMOTE CONTROL KIT - GHRC SERIES

For all models. Allows the gas log heater to be turned on and off by using a hand-held remote control.

WALL-MOUNT THERMOSTAT SWITCH - GWMT1 (Not Shown)

For all models. The desired comfort setting can be selected on the wall thermostat and the log heater will automatically cycle from pilot to the heat setting selected.

WALL-MOUNT ON/OFF SWITCH - GWMS2 (Not Shown)

For all models. Allows the gas log heater to be turned on and off with a wall switch.

FIREBOX PERIMETER BRASS TRIM ACCESSORY - GA6090 (Not Shown)

For all models. Included with accessory mantels.

DUPLEX OUTLET KIT - GA3555 (Not Shown)

For models **VYGF33PRA** and **VYGF33NRA**. For built-in installation when accessory blowers are used.

REPLACEMENT PARTS

Note: Use only original replacement parts. This will protect your warranty coverage for parts replaced under warranty.

PARTS UNDER WARRANTY

Contact authorized dealers of this product. If they can't supply original replacement part(s), call DESA International's Technical Service Department at 1-866-672-6040. When calling DESA International, have ready

- your name and address
- model and serial numbers of your fireplace
- how fireplace was malfunctioning
- type of gas used (propane/LP or natural gas)
- purchase date

Usually, we will ask you to return the part to the factory.

PARTS NOT UNDER WARRANTY

Contact authorized dealers of this product. If they can't supply original replacement part(s), call DESA International at 1-866-672-6040 for referral information. When calling DESA International, have ready

- model number of your fireplace
- the replacement part number

TECHNICAL SERVICE

You may have further questions about installation, operation, or troubleshooting. If so, contact DESA International's Technical Service Department at 1-866-672-6040. When calling, please have your model and serial numbers of your heater ready.

You can also visit DESA International's technical services web site at **www.desatech.com**.

SERVICE HINTS

When Gas Pressure Is Too Low

- pilot will not stay lit
- burner will have delayed ignition
- fireplace will not produce specified heat
- for propane/LP unit, propane/LP gas supply may be low

You may feel your gas pressure is too low. If so, contact your local gas supplier.

OWNER'S REGISTRATION FORM

In order to provide better customer service for this and future purchases, we recommend that you register your product with us. You can register online at www.desatech.com. If access to our website is not available to you, please complete this Owner's Registration Form and mail to the address on the back of this owner's manual. Please provide the following product information:

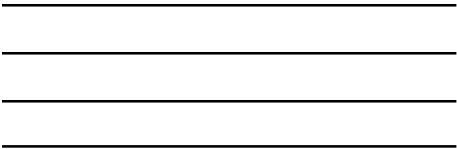
Brand: _____ (Comfort Glow, Vanguard, etc.)
 Model: _____ (EFP33PR, VTGH33NR, etc.)
 Date Purchased: _____ *Note: Keep receipt for warranty verification.*
 Serial Number: _____ 7 or 9 digit number located on product or identification tag.
 First Name: _____ Last Name: _____
 Address: _____
 City: _____ State: _____ Zip: _____ Country: _____
 Home Phone: _____ - _____
 E-Mail: _____

Please answer the following questions to register your product with DESA International:

1. Where will the product be used?
 Living/Family Room Office/Warehouse Utility Shed/Outbuilding Garage Bedroom Bathroom Other
2. If you bought this product yourself, did you plan to purchase this type of product before going into the store? Yes No
3. Who selected the product? Male Female Both
4. What is the population of your area? Under 10,000 10,000 to 25,000 25,000 to 50,000 50,000 to 100,000
 100,000 to 250,000 Over 250,000
5. What is your primary source of heat? Propane (LP Gas) Fuel Oil Wood Natural Gas Electric Other
6. How was the product installed? Professional Installer Self Other
7. Cost of product excluding sales tax? \$ _____
8. Cost to install product? \$ _____
9. Type of store where product was purchased? Hardware Propane Dealer Natural Gas/Utility Co. Home Center/Builder's Supply
 Fireplace or Hearth Shop Farm Store Other
10. What motivated you to buy this product? Sudden Cold Weather Replace Older Model D.I.Y. Home Project
 Emergency Back-Up Heat Heater was on Sale Energy Savings/High Efficiency Construction Project Other
11. How did you learn about this product brand? Advertising Relative or Friend Store Display Other _____
12. Level of Education of Purchaser: Some High School Completed High School Completed College Completed Graduate School
13. Age of Purchaser: Under 20 20 - 29 30 - 39 40 - 49 50 - 59 60 or Over
14. Buyer's total annual household income: Under \$15,000 \$15,000 to \$19,999 \$20,000 to \$34,999 \$35,000 to \$49,999
 \$50,000 to \$74,999 \$75,000 to \$99,999 \$100,000 and Over
15. Store where product was purchased:
 Name: _____
 City: _____ State: _____

16. In choosing this product, how important were the following:

	Not Important	Somewhat Important	Very Important
Availability	<input type="radio"/>	<input type="radio"/>	<input type="radio"/>
Price	<input type="radio"/>	<input type="radio"/>	<input type="radio"/>
Brand Name	<input type="radio"/>	<input type="radio"/>	<input type="radio"/>
Overall Quality	<input type="radio"/>	<input type="radio"/>	<input type="radio"/>
Heat Output	<input type="radio"/>	<input type="radio"/>	<input type="radio"/>
Made in USA	<input type="radio"/>	<input type="radio"/>	<input type="radio"/>
Warranty	<input type="radio"/>	<input type="radio"/>	<input type="radio"/>
Local Service	<input type="radio"/>	<input type="radio"/>	<input type="radio"/>
Value for Price	<input type="radio"/>	<input type="radio"/>	<input type="radio"/>
Prior Brand Experience	<input type="radio"/>	<input type="radio"/>	<input type="radio"/>
Controls Location	<input type="radio"/>	<input type="radio"/>	<input type="radio"/>
Thermostat, Remote, or Manual Operation	<input type="radio"/>	<input type="radio"/>	<input type="radio"/>
Ease of Operation	<input type="radio"/>	<input type="radio"/>	<input type="radio"/>
Special Features	<input type="radio"/>	<input type="radio"/>	<input type="radio"/>
Salesperson's Recommendation	<input type="radio"/>	<input type="radio"/>	<input type="radio"/>
Friend/Relative's Recommendation	<input type="radio"/>	<input type="radio"/>	<input type="radio"/>
Portability	<input type="radio"/>	<input type="radio"/>	<input type="radio"/>
Quiet Operation	<input type="radio"/>	<input type="radio"/>	<input type="radio"/>



Postage
Required

DESATM
INTERNATIONAL
2701 Industrial Drive
P.O. Box 90004
Bowling Green, KY 42102-9004

WARRANTY INFORMATION

KEEP THIS WARRANTY

Model _____
Serial No. _____
Date Purchased _____

Always specify model and serial numbers when communicating with the factory.

We reserve the right to amend these specifications at any time without notice. The only warranty applicable is our standard written warranty. We make no other warranty, expressed or implied.

LIMITED WARRANTY VENT-FREE GAS FIREPLACE

DESA International warrants this product to be free from defects in materials and components for four (4) years from the date of first purchase, provided that the product has been properly installed, operated and maintained in accordance with all applicable instructions. To make a claim under this warranty the Bill of Sale or cancelled check must be presented.

This warranty is extended only to the original retail purchaser. This warranty covers the cost of part(s) required to restore this heater to proper operating condition and an allowance for labor when provided by a DESA Authorized Service Center. Warranty part(s) MUST be obtained through authorized dealers of this product and/or DESA International who will provide original factory replacement parts. Failure to use original factory replacement parts voids this warranty. The heater MUST be installed by a qualified installer in accordance with all local codes and instructions furnished with the unit.

This warranty does not apply to parts that are not in original condition because of normal wear and tear, or parts that fail or become damaged as a result of misuse, accidents, lack of proper maintenance or defects caused by improper installation. Travel, diagnostic cost, labor, transportation and any and all such other costs related to repairing a defective heater will be the responsibility of the owner.

TO THE FULL EXTENT ALLOWED BY THE LAW OF THE JURISDICTION THAT GOVERNS THE SALE OF THE PRODUCT; THIS EXPRESS WARRANTY EXCLUDES ANY AND ALL OTHER EXPRESSED WARRANTIES AND LIMITS THE DURATION OF ANY AND ALL IMPLIED WARRANTIES, INCLUDING WARRANTIES OF MERCHANTABILITY AND FITNESS FOR A PARTICULAR PURPOSE TO FOUR (4) YEARS ON ALL COMPONENTS FROM THE DATE OF FIRST PURCHASE; AND DESA INTERNATIONAL'S LIABILITY IS HEREBY LIMITED TO THE PURCHASE PRICE OF THE PRODUCT AND DESA INTERNATIONAL SHALL NOT BE LIABLE FOR ANY OTHER DAMAGES WHATSOEVER INCLUDING INDIRECT, INCIDENTAL OR CONSEQUENTIAL DAMAGES.

Some states do not allow a limitation on how long an implied warranty lasts or an exclusion or limitation of incidental or consequential damages, so the above limitation on implied warranties, or exclusion or limitation on damages may not apply to you.

This warranty gives you specific legal rights, and you may also have other rights that vary from state to state.

For information about this warranty write:

DESATM
INTERNATIONAL
2701 Industrial Drive
P.O. Box 90004
Bowling Green, KY 42102-9004
www.desatech.com



105270 01

NOT A UPC

105270-01
Rev. F
03/02

For more information, visit www.desatech.com

Free Manuals Download Website

<http://myh66.com>

<http://usermanuals.us>

<http://www.somanuals.com>

<http://www.4manuals.cc>

<http://www.manual-lib.com>

<http://www.404manual.com>

<http://www.luxmanual.com>

<http://aubethermostatmanual.com>

Golf course search by state

<http://golfingnear.com>

Email search by domain

<http://emailbydomain.com>

Auto manuals search

<http://auto.somanuals.com>

TV manuals search

<http://tv.somanuals.com>