

VANGUARD®

NATURAL GAS LOG

VENTED DECORATIVE APPLIANCES

OWNER'S OPERATION AND INSTALLATION MANUAL



Models **VVTR18**
and **VVTR24**

RG 2-72

APPROVED

FOR USE WITH
CAMBRIDGE SPLIT LOG SETS
VTLCR18 AND VTLCR24

WARNING: If the information in this manual is not followed exactly, a fire or explosion may result causing property damage, personal injury, or loss of life.

- Do not store or use gasoline or other flammable vapors and liquids in the vicinity of this or any other appliance.
- **WHAT TO DO IF YOU SMELL GAS**
 - Do not try to light any appliance.
 - Do not touch any electrical switch; do not use any phone in your building.
 - Immediately call your gas supplier from a neighbor's phone. Follow the gas supplier's instructions.
 - If you cannot reach your gas supplier, call the fire department.
- Installation and service must be performed by a qualified installer, service agency, or the gas supplier.

WARNING: Improper installation, adjustment, alteration, service, or maintenance can cause injury or property damage. Refer to this manual for correct installation and operational procedures. For assistance or additional information consult a qualified installer, service agency, or the gas supplier.

WARNING: This appliance is for installation only in a solid-fuel burning masonry or UL127 factory-built fireplace, constructed of noncombustible material, and connected to a working flue. (See page 7 for minimum flue opening.)

WARNING: This is a gas-fired appliance. It uses air (oxygen) from the room in which it is installed. Provisions for adequate combustion and ventilation air must be provided. Refer to *Air for Combustion and Ventilation* section on page 4 of this manual.

This appliance may be installed in an aftermarket* manufactured (mobile) home, where not prohibited by state or local codes.

* Aftermarket: Completion of sale, not for purpose of resale, from the manufacturer


Save this manual for future reference.

VANGUARD


VENTED NATURAL GAS LOGS

SAFETY INFORMATION

WARNINGS

 **WARNING: Keep flue open when operating unit.**

IMPORTANT: Read this owner's manual carefully and completely before trying to assemble, operate, or service this log set. Improper use of this log set can cause serious injury or death from burns, fire, explosion, electrical shock, and carbon monoxide poisoning.

 **DANGER: Carbon monoxide poisoning may lead to death!**

Carbon Monoxide Poisoning: Early signs of carbon monoxide poisoning resemble the flu, with headaches, dizziness, or nausea. If you have these signs, the log set may not be working properly. **Get fresh air at once!** Have log set serviced. Some people are more affected by carbon monoxide than others. These include pregnant women, people with heart or lung disease or anemia, those under the influence of alcohol, and those at high altitudes.

Natural Gas: Natural gas is odorless. An odor-making agent is added to the gas. The odor helps you detect a gas leak. However, the odor added to the gas can fade. Gas may be present even though no odor exists.

Make certain you read and understand all warnings. Keep this manual for reference. It is your guide to safe and proper operation of this log set.

 **WARNING: Any change to this log set or its controls can be dangerous.**

1. This appliance, as supplied, is only for use with the type of gas indicated on the rating plate. This appliance is convertible for use with propane/LP, using the GA9003 or GA9103 pilot kit.
2. If you smell gas
 - shut off gas supply
 - do not try to light any appliance
 - do not touch any electrical switch; do not use any phone in your building
 - immediately call your gas supplier from a neighbor's phone. Follow the gas supplier's instructions
 - if you cannot reach your gas supplier, call the fire department
3. Never install the log set
 - in a recreational vehicle
 - where curtains, furniture, clothing, or other flammable objects are less than 42 inches from the front, top, or sides of the log set
 - in high traffic areas
 - in windy or drafty areas
4. Before installing in a solid fuel burning fireplace, the chimney flue and firebox must be cleaned of soot, creosote, ashes, and loose paint by a qualified chimney cleaner. Creosote will ignite if highly heated. Inspect chimney flue for damage.
5. You must operate this log set with a fireplace screen in place. Make sure fireplace screen is closed before running log set.
6. This log set is designed to be smokeless. If logs ever appear to smoke, turn off appliance and call a qualified service person. **Note:** During initial operation, slight smoking could occur due to log curing and the burning of manufacturing residues. You may wish to add more ventilation by opening a window.
7. To reduce the creation of soot, follow the instructions in *Cleaning and Maintenance*, page 17.
8. Do not allow fans to blow directly into the fireplace. Avoid any drafts that alter burner flame patterns. Ceiling fans can create drafts that alter burner flame patterns. Altered burner patterns can increase sooting.
9. Do not use a blower insert, heat exchanger insert or other accessory not approved for use with this log set.
10. This log set needs fresh, outside air ventilation to run properly. See *Air for Combustion and Ventilation*, pages 4 through 6.
11. Do not run log set
 - where flammable liquids or vapors are used or stored
 - under dusty conditions
12. Do not burn solid fuel in the fireplace after installing the log set. Do not use this log set to cook food or burn paper or other objects.
13. Log set becomes very hot when in use. Keep children and adults away from hot surface to avoid burns or clothing ignition. Log set will remain hot for a time after shutdown. Allow surface to cool before touching.
14. Carefully supervise young children when they are in the room with log set.
15. Do not use appliance if any part has been exposed to or under water. Immediately call a qualified service technician to inspect the room appliance and to replace any part of the control system (if using GA9003 or GA9103) and any gas control which has been under water.
16. To help prevent breakage, new logs must be broken-in (see *Curing logs* page 13).
17. Turn log set off and let cool before servicing, installing, or repairing. Only a qualified service person should install, service, or repair log set.

OWNER'S MANUAL

PRODUCT IDENTIFICATION

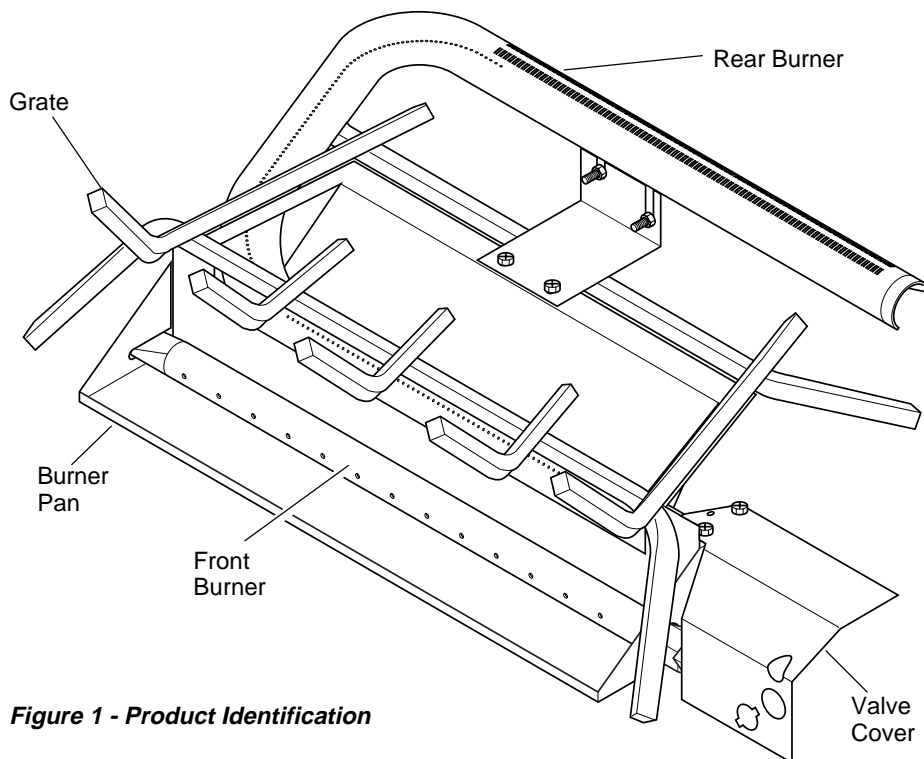


Figure 1 - Product Identification

Serial Number _____

LOCAL CODES

Install and use log set with care. Follow all local codes. In the absence of local codes, use the latest edition of *The National Fuel Gas Code ANS Z223.1*, also known as NFPA 54*.

*Available from:

American National Standards Institute, Inc.
1430 Broadway
New York, NY 10018

National Fire Protection Association, Inc.
Batterymarch Park
Quincy, MA 02269

UNPACKING

CAUTION: Do not remove the metal data plates from the burner pan. The data plates contain important product information.

1. Remove logs, hearth kit, pan materials, and hardware from carton.
2. Remove all protective packaging applied to logs and base for shipment.
3. Check all items for any shipping damage. If damaged, promptly inform dealer where you bought the product.

OPTIONAL PRODUCT FEATURES

ON/OFF SAFETY VALVE/PILOT KIT AND PROPANE/LP CONVERSION

An optional valve/safety pilot kit with a piezo ignitor is available for this appliance. This system requires no matches, batteries, or other sources to light. You must use this optional system for LP conversion. See *Accessories*, page 17.

REMOTE CONTROL READY (MILLIVOLT) SAFETY VALVE/PILOT KIT

An optional millivolt valve/safety pilot kit with a piezo ignitor is available for this appliance. This system requires no matches, batteries, or other sources to light. This system may be connected to a wall switch or hand-held wireless remote control. See *Accessories*, page 17.

REMOTE CONTROL ACCESSORIES

There is an optional hand-held ON/OFF remote control that can be purchased separately for this log set. You must use the millivolt valve/safety pilot kit to use remote accessories with this appliance. See *Accessories*, page 17.

LOG SETS

Model VTLCR18 log set is for use with Model VVTR18 burner set. Model VTLCR24 log set is for use with Model VVTR24 burner set. Use these log sets only with their corresponding burners.

VANGUARD®

VENTED NATURAL GAS LOGS

AIR FOR COMBUSTION AND VENTILATION

⚠ WARNING: This appliance shall not be installed in a confined space or unusually tight construction unless provisions are provided for adequate combustion and ventilation air. Read the following instructions to insure proper fresh air for this and other fuel-burning appliances in your home.

Today's homes are built more energy efficient than ever. New materials, increased insulation, and new construction methods help reduce heat loss in homes. Home owners weather strip and caulk around windows and doors to keep the cold air out and the warm air in. During heating months, home owners want their homes as airtight as possible.

While it is good to make your home energy efficient, your home needs to breathe. Fresh air must enter your home. All fuel-burning appliances need fresh air for proper combustion and ventilation.

Exhaust fans, fireplaces, clothes dryers, and fuel burning appliances draw air from the house to operate. You must provide adequate fresh air for these appliances. This will insure proper venting of vented fuel-burning appliances.

PROVIDING ADEQUATE VENTILATION

The following are excerpts from *National Fuel Gas Code, NFPA 54/ANS Z223.1, Section 5.3, Air for Combustion and Ventilation*.

All spaces in homes fall into one of the three following ventilation classifications:

1. Unusually Tight Construction
2. Unconfined Space
3. Confined Space

The information on pages 4 through 6 will help you classify your space and provide adequate ventilation.

Unusually Tight Construction

The air that leaks around doors and windows may provide enough fresh air for combustion and ventilation. However, in buildings of unusually tight construction, you must provide additional fresh air.

Unusually tight construction is defined as construction where:

- a. **walls and ceilings exposed to the outside atmosphere have a continuous water vapor retarder with a rating of one perm (6×10^{-11} kg per pa-sec- m^2) or less with openings gasketed or sealed *and***
- b. **weather stripping has been added on openable windows and doors *and***
- c. **caulking or sealants are applied to areas such as joints around window and door frames, between sole plates and floors, between wall-ceiling joints, between wall panels, at penetrations for plumbing, electrical, and gas lines, and at other openings.**

If your home meets all of the three criteria above, you must provide additional fresh air. See *Ventilation Air From Outdoors*, page 6.

If your home does not meet all of the three criteria above, proceed to *Determining Fresh-Air Flow For Log Set Location*, page 5.

Confined and Unconfined Space

The *National Fuel Gas Code, ANS Z223.1* defines a confined space as a space whose volume is less than 50 cubic feet per 1,000 Btu per hour (4.8 m^3 per kw) of the aggregate input rating of all appliances installed in that space and an unconfined space as a space whose volume is not less than 50 cubic feet per 1,000 Btu per hour (4.8 m^3 per kw) of the aggregate input rating of all appliances installed in that space. Rooms communicating directly with the space in which the appliances are installed*, through openings not furnished with doors, are considered a part of the unconfined space.

This log set shall not be installed in a confined space or unusually tight construction unless provisions are provided for adequate combustion and ventilation air.

* Adjoining rooms are communicating only if there are doorless passageways or ventilation grills between them.

AIR FOR COMBUSTION AND VENTILATION

Continued

DETERMINING FRESH-AIR FLOW FOR APPLIANCE LOCATION

Determining if You Have a Confined or Unconfined Space

Use this work sheet to determine if you have a confined or unconfined space.

Space: Includes the room in which you will install appliance plus any adjoining rooms with doorless passageways or ventilation grills between the rooms.

1. Determine the volume of the space (length x width x height).

Length x Width x Height = _____ cu. ft. (volume of space)

Example: Space size 20 ft. (length) x 16 ft. (width) x 8 ft. (ceiling height) = 2560 cu. ft. (volume of space)

If additional ventilation to adjoining room is supplied with grills or openings, add the volume of these rooms to the total volume of the space.

2. Divide the space volume by 50 cubic feet to determine the maximum Btu/Hr the space can support.

_____ (volume of space) ÷ 50 cu. ft. = (maximum Btu/Hr the space can support)

Example: 2560 cu. ft. (volume of space) ÷ 50 cu. ft. = 51.2 or 51,200 (maximum Btu/Hr the space can support)

3. Add the Btu/Hr of all fuel burning appliances in the space.

Gas fireplace logs	_____	Btu/Hr
Gas water heater*	_____	Btu/Hr
Gas furnace	_____	Btu/Hr
Vented gas heater	_____	Btu/Hr
Vent-free heater	_____	Btu/Hr
Other gas appliances* +	_____	Btu/Hr
Total	= _____	Btu/Hr

Example:

Gas water heater	40,000 Btu/Hr
Gas fireplace logs +	55,000 Btu/Hr
Total	= 95,000 Btu/Hr

* Do not include direct-vent gas appliances. Direct-vent draws combustion air from the outdoors and vents to the outdoors.

4. Compare the maximum Btu/Hr the space can support with the actual amount of Btu/Hr used.

_____ Btu/Hr (maximum the space can support)

_____ Btu/Hr (actual amount of Btu/Hr used)

Example: 51,200 Btu/Hr (maximum the space can support)

95,000 Btu/Hr (actual amount of Btu/Hr used)

The space in the above example is a confined space because the actual Btu/Hr used is more than the maximum Btu/Hr the space can support. You must provide additional fresh air. Your options are as follows:

- A. Rework worksheet, adding the space of an adjoining room. If the extra space provides an unconfined space, remove door to adjoining room or add ventilation grills between rooms. See *Ventilation Air From Inside Building*, page 6.
- B. Vent room directly to the outdoors. See *Ventilation Air From Outdoors*, page 6.
- C. Install a lower Btu/Hr heater, if lower Btu/Hr size makes room unconfined.

If the actual Btu/Hr used is less than the maximum Btu/Hr the space can support, the space is an unconfined space. You will need no additional fresh air ventilation.

⚠ WARNING: If the area in which the appliance may be operated is smaller than that defined as an unconfined space or if the building is of unusually tight construction, provide adequate combustion and ventilation air by one of the methods described in the *National Fuel Gas Code, ANS Z223.1, Section 5.3* or applicable local codes.

Continued

AIR FOR COMBUSTION AND VENTILATION

Continued

VENTILATION AIR

Ventilation Air From Inside Building

This fresh air would come from an adjoining unconfined space. When ventilating to an adjoining unconfined space, you must provide two permanent openings: one within 12" of the ceiling and one within 12" of the floor on the wall connecting the two spaces (see options 1 and 2, Figure 2). You can also remove door into adjoining room (see option 3, Figure 2). Follow the *National Fuel Gas Code, NFPA 54/ANS Z223.1, Section 5.3, Air for Combustion and Ventilation* for required size of ventilation grills or ducts.

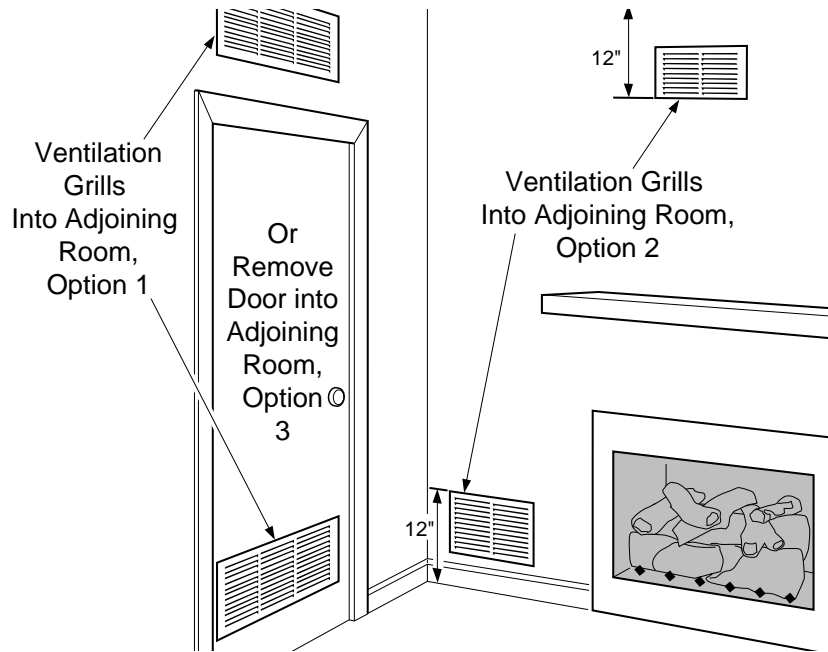


Figure 2 - Ventilation Air from Inside Building

⚠ WARNING: Rework worksheet, adding the space of the adjoining unconfined space. The combined spaces must have enough fresh air to supply all appliances in both spaces.

Ventilation Air From Outdoors

Provide extra fresh air by using ventilation grills or ducts. You must provide two permanent openings: one within 12" of the ceiling and one within 12" of the floor. Connect these items directly to the outdoors or spaces open to the outdoors. These spaces include attics and crawl spaces. Follow the *National Fuel Gas Code, NFPA 54/ANS Z223.1, Section 5.3, Air for Combustion and Ventilation* for required size of ventilation grills or ducts.

IMPORTANT: Do not provide openings for inlet or outlet air into attic if attic has a thermostat-controlled power vent. Heated air entering the attic will activate the power vent.

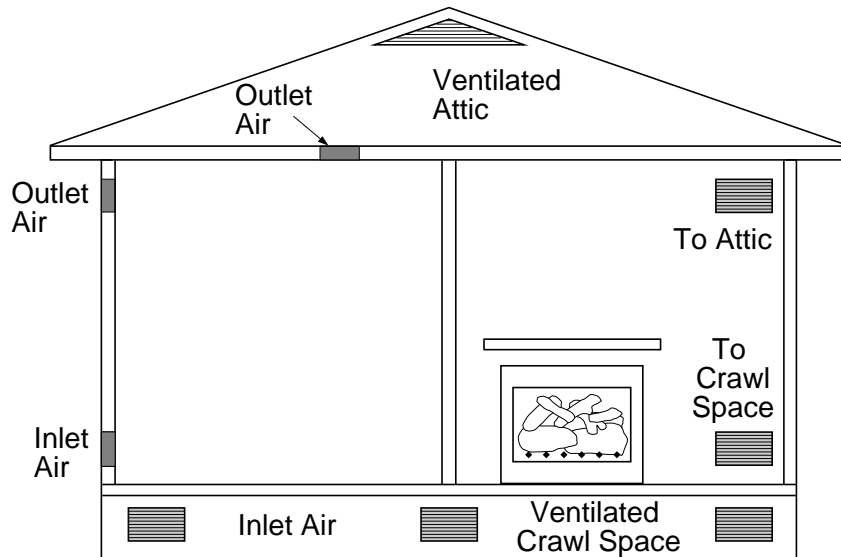


Figure 3 - Ventilation Air from Outdoors

OWNER'S MANUAL

INSTALLATION

CAUTION: Do not remove the metal data plates attached to the burner pan. The data plates contain important warranty information.

WARNING: Before installing in a solid fuel burning fireplace, the chimney flue and firebox must be cleaned of soot, creosote, ashes and loose paint by a qualified chimney cleaner. Creosote will ignite if highly heated. A dirty chimney flue may create and distribute soot within the house. Inspect chimney flue for damage.

NOTICE: Installation, service, and repair of this appliance must be performed by a qualified installer, service agency, company or gas supplier experienced with this type of gas appliance. Only factory authorized components listed in these instructions may be used in accordance with the manufacturer's instructions and all codes and requirements of the authority having jurisdiction. Any modifications to this kit, or use of unauthorized components or accessory items will void the manufacturer's warranty, and may result in a hazardous condition.

FLUE OPENING SPECIFICATIONS

Note: This vented appliance must be installed only in a solid-fuel burning fireplace with a working flue and constructed of non-combustible material.

The charts in Figure 4 indicate technical information regarding the installation of your gas log set. Please make sure that all of the specifications shown are applicable before installation is attempted.

The fireplace must include a working flue and venting system with the minimum openings shown in the Figure 4.

MODEL	DESCRIPTION	Btu Input Natural Gas	Btu Input Propane Gas	Minimum Vent Opening
VVTR18	18" Triple Burner	60,000	50,000	8" dia.
VVTR24	24" Triple Burner	70,000	60,000	8" dia.

MINIMUM FIREBOX SIZES				
LOG SIZE	FRONT WIDTH*	BACK WIDTH**	DEPTH	HEIGHT
18"	28"	16"	14"	18"
24"	29 3/4"	17"	15 1/2"	18"

*Add 2" if safety valve/pilot is used

**At depth indicated

FUEL INLET PRESSURE SPECIFICATIONS ("W.C.)		
	Min.	Max.
NG	5.5	10.5
LP	11	13

BURNER ORIFICE				
LOG SIZE	NATURAL		PROPANE/LP	
	FRONT	REAR	FRONT	REAR
18"	.046	4x.064	.036	4x.043
24"	.064	4x.064	.036	4x.0465

Figure 4 - Technical Information Charts

CHECK GAS TYPE

Use only natural gas. If your gas supply is not natural gas, you must install ON/OFF Safety Valve/Pilot Kit (see *Accessories*, page 17). Call dealer where you bought log set.

If the fireplace does not have a gas supply shutoff valve, one must be installed.

VENTING SPECIFICATIONS FOR INSTALLATION

The fireplace chimney flue and vent must be drafting properly. To check the vent for proper drafting: Light a tightly rolled newspaper on one end and place it at the inside front edge of the fireplace. Observe the smoke and be sure the vent is properly drawing it up the chimney. If the smoke spills out into the room, extinguish the flame and remove any obstruction until proper venting is achieved.

The chimney flue must remain open a minimum of 3" at all times during the operation of this log set.

VANGUARD®

VENTED NATURAL GAS LOGS

INSTALLATION

Continued

INSTALLING DAMPER CLAMP

Secure the damper stop clamp provided to the leading edge of the damper as shown in Figure 5. If for any reason this clamp doesn't work on your fireplace, another suitable clamp or permanent stop must be installed, or the damper blade must be cut or removed.

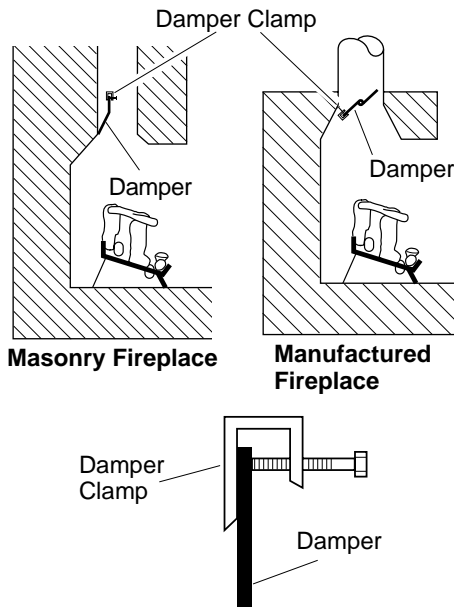


Figure 5 - Attaching Damper Clamp

CONNECTING TO GAS SUPPLY

WARNING: A qualified service person must connect log set to gas supply. Follow all local codes.

Installation Items Needed

Before installing log set, make sure you have the items listed below.

- piping (check local codes)
- sealant (resistant to propane/LP gas)
- equipment shutoff valve
- test gauge connection
- adjustable (crescent) wrench or pliers
- sediment trap
- tee joint
- pipe wrench

CAUTION: Use only new, black iron or steel pipe. Internally-tinned copper tubing may be used in certain areas. Check your local codes. Use pipe of 1/2" diameter or greater to allow proper gas volume to log set. If pipe is too small, undue loss of pressure will occur.

Installation must include a equipment shutoff valve, union, and plugged 1/8" NPT tap. Locate NPT tap within reach for test gauge hook up. NPT tap must be upstream from log set (see Figure 6).

IMPORTANT: Install equipment shutoff valve in an accessible location. The equipment shutoff valve is for turning on or shutting off the gas to the appliance.

Apply pipe joint sealant lightly to male threads. This will prevent excess sealant from going into pipe. Excess sealant in pipe could result in a clogged burner injector.

CAUTION: Use pipe joint sealant that is resistant to liquid petroleum (LP) gas.

We recommend that you install a sediment trap in supply line as shown in Figure 6. Locate sediment trap where it is within reach for cleaning. Install in piping system between fuel supply and heater. Locate sediment trap

Approved Flexible Gas Hose (if allowed by local codes)

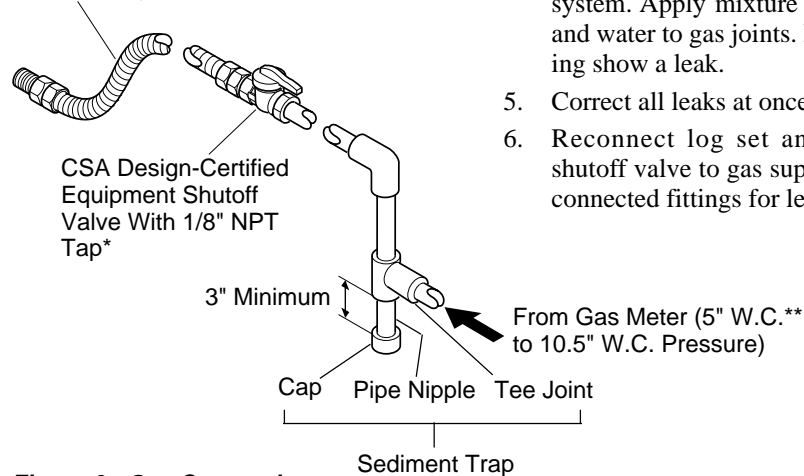


Figure 6 - Gas Connection

* Purchase the optional CSA design-certified equipment shutoff valve from your dealer. See *Accessories*, page 17.

** Minimum inlet pressure for purpose of input adjustment.

where trapped matter is not likely to freeze. A sediment trap traps moisture and contaminants. This keeps them from going into log set controls. If sediment trap is not installed or is installed wrong, log set may not run properly.

CHECKING GAS CONNECTIONS

WARNING: Test all gas piping and connections for leaks after installing or servicing. Correct all leaks at once.

WARNING: Never use an open flame to check for a leak. Apply a mixture of liquid soap and water to all joints. Bubbles forming show a leak. Correct all leaks at once.

Pressure Testing Gas Supply Piping System

Test Pressures In Excess Of 1/2 PSIG (3.5 kPa)

1. Disconnect log set and its individual equipment shutoff valve from gas supply piping system.
2. Cap off open end of gas pipe where equipment shutoff valve was connected.
3. Pressurize supply piping system by either using compressed air or opening main gas valve located on or near gas meter.
4. Check all joints of gas supply piping system. Apply mixture of liquid soap and water to gas joints. Bubbles forming show a leak.
5. Correct all leaks at once.
6. Reconnect log set and equipment shutoff valve to gas supply. Check re-connected fittings for leaks.

INSTALLATION

Continued

Test Pressures Equal To or Less Than 1/2 PSIG (3.5 kPa)

1. Close equipment shutoff valve (see Figure 7).
2. Pressurize supply piping system by either using compressed air or opening main gas valve located on or near gas meter.
3. Check all joints from gas meter to equipment shutoff valve (see Figure 7). Apply mixture of liquid soap and water to gas joints. Bubbles forming show a leak.
4. Correct all leaks at once.

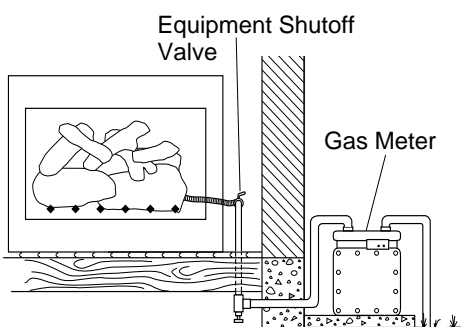


Figure 7 - Checking Gas Joints

HEARTH KIT ASSEMBLY AND INSTALLATION

Kit Assembly

Note: Be sure all pipe threaded connections are tight, and have thread compound to prevent leaks.

1. Remove burner inlet fitting from front burner (installed in burner pan, see Figure 8).
2. Make sure ports on front burner are facing the front (open side) of burner pan. Refit if needed.
3. Using thread sealant (resistant to the action of propane/LP gas) on larger end of fitting, screw the burner inlet fitting through the hole and into the front burner (see Figure 8). Tighten using a 7/8" wrench. If using propane/LP gas, see *Propane/LP Gas Conversion*, page 10.
4. Apply thread sealant compound to the 3/8" male threads of the burner inlet fitting. Thread the manifold block (see Figure 8) onto the burner inlet fitting. Use the bottom hole of the block.

5. Apply thread sealant to the 1/8" brass pipe nipple and thread it onto the manifold block. Tighten with a 7/16" wrench.
6. Slip the air restrictor over the 1/8" pipe nipple. Apply thread sealant to the male threads and install the rear burner nozzle onto the fitting. Tighten with a 9/16" wrench.
7. Place the grate assembly over the burner pan. Install the rear burner bracket onto the grate with the 2 black Phillips head #10 screws provided. Do not tighten at this time (see Figure 9).
8. Install the "U" burner from the left side with the open end in the front (see Figure 9). Hold the rear of the burner higher than the bracket. Slide the burner over the air restrictor fitting. Lower the rear of the burner into the slots on the burner bracket. Install the burner clip and tighten the nuts and screws.
9. Install 3/8 flare x 3/8 male pipe elbow into the inlet of the manifold block. Install the pipe plug into the top of the manifold block. Use thread sealant.

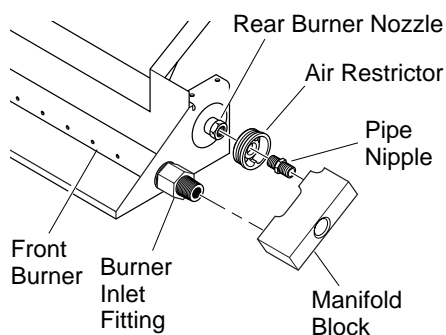


Figure 8 - Kit Assembly

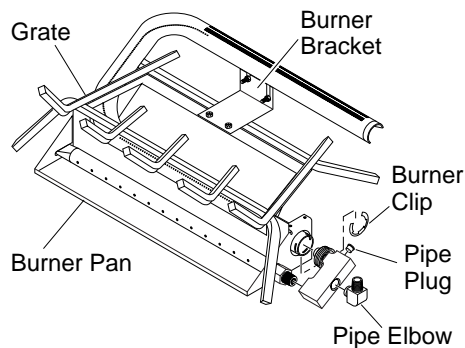


Figure 9 - Installing Burner

Installation and Gas Connection

1. Thread the gas supply fitting to the fireplace gas supply pipe. Use thread sealant.
2. Place the burner pan assembly in the center of the fireplace floor. Make sure the front of pan faces forward.
3. Install the flex gas line to the gas supply fitting. Carefully shape tube to attach to adapter fitting (see Figure 10).
4. Replace valve cover.

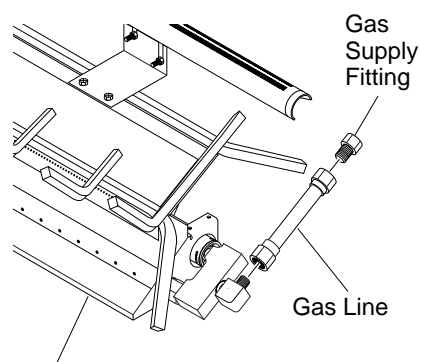


Figure 10 - Connecting Gas to Appliance

Figure 10 - Connecting Gas to Appliance

Continued

VANGUARD®

VENTED NATURAL GAS LOGS

INSTALLATION

Continued

OPTIONAL GA9050 SERIES ON/OFF SAFETY VALVE/ PILOT KIT ASSEMBLY

For additional convenience and safety, or for propane/LP conversion, an optional ON/OFF safety valve/pilot kit is available. See *Accessories*, page 17.

⚠ WARNING: You must use a ON/OFF safety valve/pilot kit for propane/LP conversion.

Natural Gas Installation

1. Thread the gas control valve onto the close pipe nipple (see Figure 11). Use thread sealant on the male threads of the fitting. Thread other end of the nipple into the burner manifold block. Hold the manifold block with a wrench to prevent stressing the connections to the burners. Make sure the control rod is facing the front (see Figure 11).
2. Attach the pilot gas line to the pilot outlet of the gas control valve and tighten. Connect the thermocouple to the rear of the gas control valve (see Figure 12). Do not overtighten (finger-tight plus 1/4 turn). If using propane/LP gas, see *Changing Pilot Orifice*, page 11.
3. Install the inlet fitting into the inlet opening of the gas control valve (see Figure 13). Use thread sealant on the male pipe threads.
4. Thread the gas supply fitting to the fireplace gas supply pipe (see Figure 10, page 9). Adjust to most convenient position.
5. Install the gas flex line to the gas supply fitting. Carefully shape tube to attach to adapter fitting.
6. Place the burner pan assembly in the center of the fireplace floor. Make sure the front of pan faces forward.
7. Test for leaks following instructions under *Testing Burner for Leaks*, page 11.
8. Retighten and adjust the location of the gas control as necessary. The gas control should be level, with the control rod to the front.

9. Install valve cover to burner pan using screws provided.
10. Install thermocouple, pilot, and ignitor onto valve cover as shown in Figure 14. Use the provided screws.
11. Push the control rod extension onto the "D" shaped control rod through the center hole in the cover.
12. Install the position decal and control knob making sure to align the marks with the correct stop positions of the gas control. Pilot position will allow the knob to push in about 1/2". Align the decals in the pilot position.

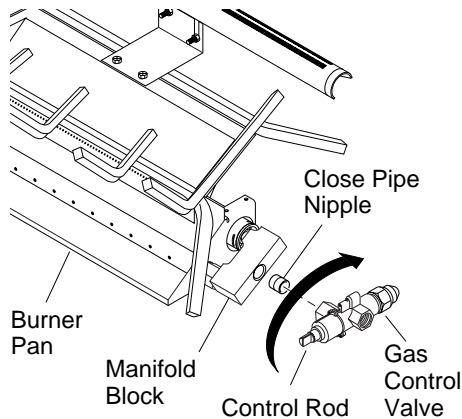


Figure 11 - Installing Gas Control Valve

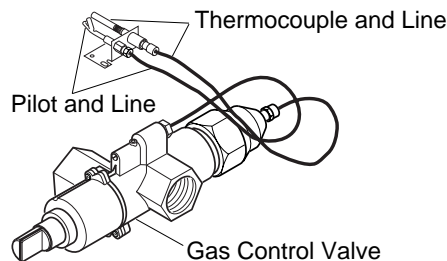


Figure 12 - Gas Control Valve with Thermocouple and Pilot

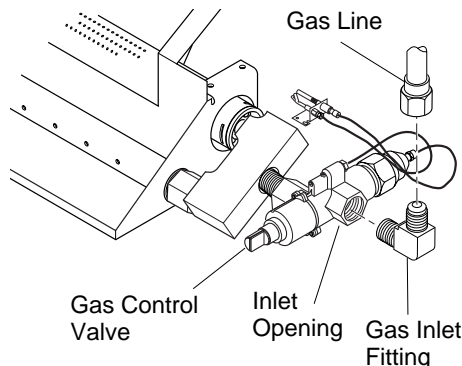


Figure 13 - Installing Inlet Fitting and Gas Connector Tube

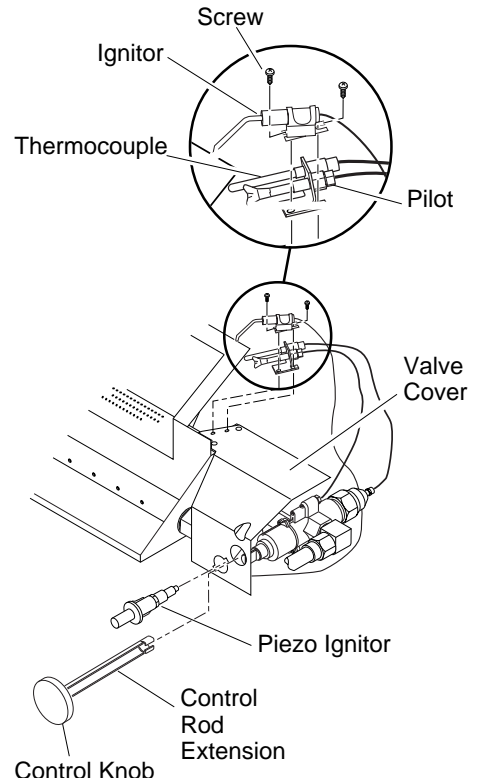


Figure 14 - Installing Cover, Control Knob, and Piezo Ignitor

Propane/LP Gas Conversion

To convert to propane/LP gas, the two main burner orifices and pilot orifice must be replaced.

Main Burner Orifices

Note: Be sure all pipe threaded connections are tight, and have thread compound to prevent leaks. Be sure to use the correct orifice for your unit. See chart on page 7.

1. Remove the burner inlet fitting from the front burner manifold (installed in burner pan). See Figure 15, page 11.
2. Make sure ports on front burner manifold are facing the front (open side) of burner pan. Refit if needed.
3. Replace front burner injector with the provided injector. See chart on page 7 and Figure 16, page 11. Using thread sealant (resistant to the action of propane/LP gas) on larger end of fitting, screw the burner inlet fitting through the hole and into the burner manifold. Tighten using a 7/8" wrench.

INSTALLATION

Continued

4. Apply thread sealant compound to the 3/8" male threads of the burner inlet fitting. Thread the manifold block (see Figure 15) onto the burner inlet fitting. Use the bottom hole of the block.
5. Apply thread sealant to the 1/8" brass pipe nipple and thread it into the manifold block (see Figure 15). Tighten with a 7/16" wrench.
6. Slip the air restrictor over the 1/8" pipe nipple. Apply thread sealant to the male threads and install the rear burner injector provided with the GA9003 (see chart on page 7) onto the fitting. Tighten with a 9/16" wrench. Proceed with step 7, page 9 in *Hearth Kit Assembly and Installation*.

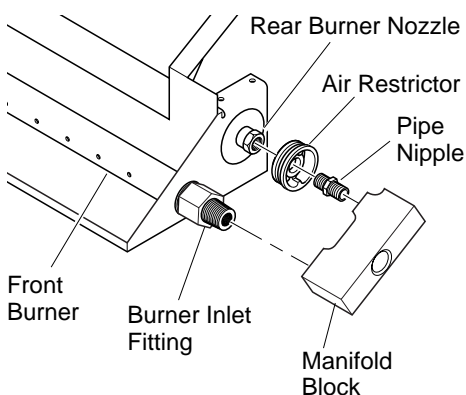


Figure 15 - Kit Assembly

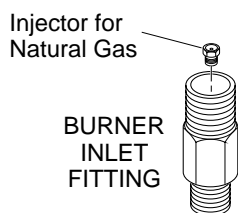


Figure 16 - Burner Inlet Fitting with Injectors

Changing Pilot Orifice

The pilot is provided with a natural gas orifice installed. For propane/LP gas you must remove it and replace it with an propane/LP orifice. The hardware kit contains an propane/LP orifice with a red stripe for converting the pilot.

1. Gently loosen and remove the pilot line connection from the bracket (see Figure 17).
2. Replace the injector (see Figure 17) with the propane/LP pilot injector with the red stripe.
3. Replace and tighten the pilot line to the bracket.
4. Continue with step 3 under *Natural Gas Installation*, page 10.

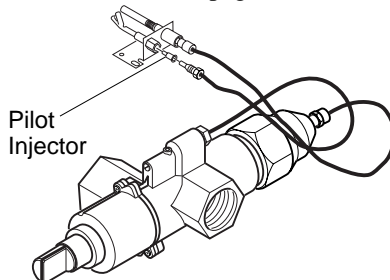


Figure 17 - Installing Propane/LP Pilot Orifice

TESTING BURNER FOR LEAKS

1. Generously apply soapy solution to all connections.

WARNING: Never check for gas leaks with open flame.

2. Light the burner with the shutoff valve no more than half open and holding a match slightly in front of the pan (see *Lighting Instructions*, page 12).
3. Inspect all connections for bubbles, raw gas odor, or flame from any area other than the burner (leaks). If leaks are detected, shut off the gas valve immediately. Tighten, or reassemble the loose connection(s) using pipe joint compound until burner system is leak free.
4. When the burner is tested and leak free, observe the individual tongues of flame on the burner. *Note:* The burner design includes more ports on the outside of the bar. Make sure that all ports are clear and producing flame evenly across the burner. If any ports appear blocked, clear them by removing the burner manifold and reaming the ports with a modified paper clip or other suitable tool.
5. When finished testing, turn the gas shutoff valve OFF to extinguish all flames.

ADDING PAN MATERIAL

1. Open the bag of ash bed material (vermiculite) and spread it evenly across the burner pan to the top. You may overflow the front and sides of the pan to cover the entire pan and connecting hardware.
2. Open the glowing embers and evenly cover the ash bed material (vermiculite) in the burner pan.

VANGUARD®

VENTED NATURAL GAS LOGS

INSTALLATION

Continued

INSTALLING THE EMBER BED AND LOGS (Cambridge Split Log Set Shown)

1. Place the ember bed (included with burner set) over log grate as shown in Figure 18.
2. Position the back log flush against back of ember bed as shown in Figure 19.
3. Place the middle layer of logs as shown in Figure 20. Notice the groove in the back log for placement of log to the far right. Adequate space should be left between logs and ember bed for flames.
4. Place the top layer of logs as shown in Figure 21.

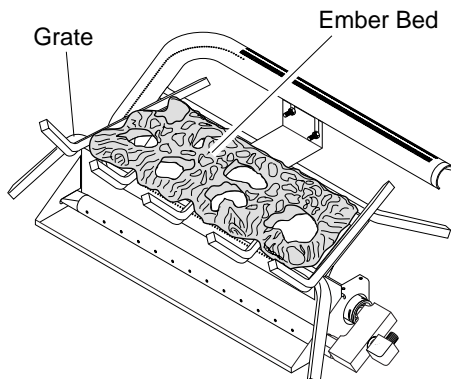


Figure 18 - Installing Ember Bed

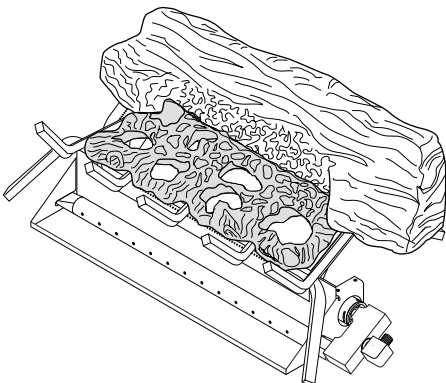


Figure 19 - Installing Back log

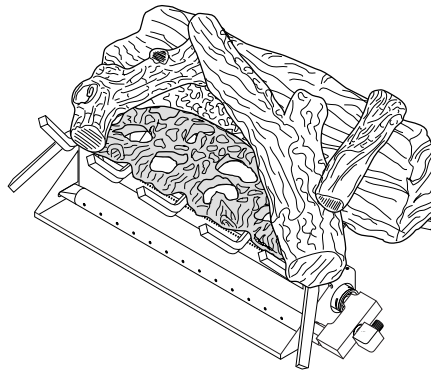


Figure 20 - Installing Logs

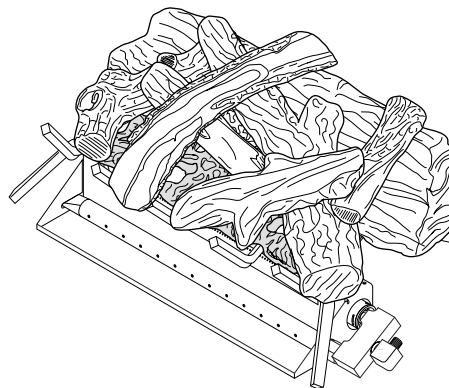


Figure 21 - Installing Logs

OPERATING APPLIANCE

**FOR YOUR SAFETY
READ BEFORE
LIGHTING**

⚠ WARNING: Keep flue open when operating unit.

⚠ WARNING: If you do not follow these instructions exactly, a fire or explosion may result causing property damage, personal injury or loss of life.

BEFORE LIGHTING smell all around the appliance area for gas. Be sure to smell next to the floor because some gas is heavier than air and will settle on the floor.

WHAT TO DO IF YOU SMELL GAS

- Do not try to light any appliance.
- Do not touch any electric switch; do not use any phone in your building.
- Immediately call your gas supplier from a neighbor's phone. Follow the gas supplier's instructions.
- If you cannot reach your gas supplier, call the fire department.

LIGHTING INSTRUCTIONS

1. **STOP!** Read the safety information, above.
2. Turn the gas shutoff valve to **OFF**.
3. Wait five (5) minutes to clear out any gas. If you then smell gas **STOP!** Follow the safety information above. If you don't smell gas, go on to the next step.
4. Light a match and lay it on top of the "U" shaped burner near the edge of the cover on the right side of the pan.
5. Slowly turn the gas shutoff valve **ON** until the burner ignites. If the burner doesn't ignite within 10 seconds with the match burning, turn the shutoff valve **OFF** and repeat steps 1 through 4 again.

OWNER'S MANUAL

OPERATING APPLIANCE

Continued

GAS SHUTOFF VALVE OPERATION

Flame Adjustment

Adjust the flame ON/OFF by turning the gas shutoff valve counterclockwise to open or clockwise to close, as necessary.

Shutting Off Appliance

Turn gas shutoff valve clockwise to the OFF position.

CURING LOGS

During the 2-3 hour appliance break-in period, you may detect an odor from the appliance as the various paints and compounds used in the manufacturing of this log set cure. This is a normal and temporary situation that is not cause for alarm. However, you may want to provide extra ventilation to the room during this time.

To ensure proper curing of the logs:

- Ignite a 2" flame and maintain it for 1 hour.
- Burn the logs in consecutive 1 hour periods raising the flame an additional 2" to full flame height for a total of three hours.

OPERATING INSTRUCTIONS FOR GA9003

Note: Operation instructions for GA9103 Remote Ready Valve/Pilot Kit will be included with the Kit.

1. STOP! Read the safety information, page 12.
2. Make sure equipment shutoff valve is fully open.
3. Press in and turn control knob clockwise to the OFF position.
4. Wait five (5) minutes to clear out any gas. Then smell for gas around log set and near floor. If you smell gas, STOP! See *Safety information*, page 2 and *Air For Combustion And Ventilation*, pages 4 through 6. If you don't smell gas, go to the next step.
5. Turn control knob counterclockwise to the PILOT position and press in. Keep control knob pressed in for five (5) seconds.

Note: You may be running this log set for the first time after hooking up to gas supply. If so, the control knob may need to be pressed in for 30 seconds. This will allow air to bleed from the gas system.

- If control knob does not pop up when released, contact a qualified service person or gas supplier for repairs.
6. With control knob pressed in, push down and release ignitor button. This will light pilot. The pilot is attached to the rear of the front burner. If needed, keep pressing ignitor button until pilot lights.

Note: If pilot does not stay lit, contact a qualified service person or gas supplier for repairs. Until repairs are made, light pilot with match.

7. Keep control knob pressed in for 30 seconds after lighting pilot. After 30 seconds, release control knob.

Note: If pilot goes out, repeat steps 3 through 7.

8. Turn control knob counterclockwise to the ON position. Burner should light. If burner does not light, call a qualified service person.

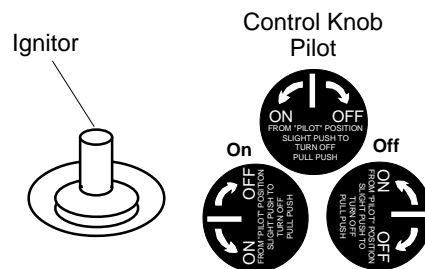


Figure 22 - Ignitor and Control Knob

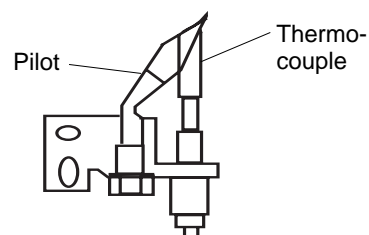


Figure 23 - Thermocouple and Pilot

TO TURN OFF GAS TO APPLIANCE

Shutting Off Appliance

1. Turn control knob clockwise to the PILOT position.
2. Press in and turn control knob clockwise to the OFF position.

Shutting Off Burner Only (pilot stays lit)

Turn control knob clockwise to the PILOT position.

VANGUARD®

VENTED NATURAL GAS LOGS

TROUBLESHOOTING

Note: For additional help, visit DESA International's technical service web site at www.desatech.com.

⚠ WARNING: Turn off log set and let cool before servicing. Only a qualified service person should service and repair log set.

Note: All troubleshooting items are listed in order of operation.

OBSERVED PROBLEM	POSSIBLE CAUSE	REMEDY
Log set is smoking/sooting excessively (<i>Note:</i> It is natural and unavoidable for vented gas log sets to produce moderate levels of carbon (soot) where flames contact the logs. This is especially true with propane/LP gas.)	<ol style="list-style-type: none"> Poor fuel quality Fireplace venting system not drafting properly Excessive flame impingement or blockage Improper fuel/air mixture Excessive gas supply/pressure 	<ol style="list-style-type: none"> Contact local natural or propane/LP gas company Adjust damper wide open and/or have fireplace and venting professionally cleaned and checked Separate the logs to allow more flame passage Remove any foreign items from the flame pattern and/or check for proper orifice sizing Preheat flue in very cold weather
Burner is excessively noisy (<i>Note:</i> The movement and combustion of gas will create low, unavoidable levels of noise.)	<ol style="list-style-type: none"> Passage of air/gas across irregular surfaces 	<ol style="list-style-type: none"> Relieve any tight bends or kinks in gas supply line
Burner flame is too low or too high	<ol style="list-style-type: none"> Incorrect gas supply or pressure Blocked burner orifice or burner manifold ports Improper burner orifice size 	<ol style="list-style-type: none"> Check for proper gas supply pressure Free burner orifice and manifold ports of any burrs, paint, or other blockage Verify proper burner orifice sizing (see Figure 4, page 7)

OWNER'S MANUAL

TROUBLESHOOTING

Continued

OBSERVED PROBLEM	POSSIBLE CAUSE	REMEDY
When ignitor button is pressed, there is no spark at pilot (GA9003 Only)	<ol style="list-style-type: none">1. Ignitor electrode not connected to ignitor cable2. Ignitor cable pinched or wet3. Bad ground on piezo ignitor4. Broken ignitor cable5. Bad piezo ignitor6. Ignitor electrode broken7. Ignitor electrode positioned wrong	<ol style="list-style-type: none">1. Reconnect ignitor cable2. Free ignitor cable if pinched by any metal or tubing. Keep ignitor cable dry3. Scrape away paint on bracket for better contact with ground on piezo ignitor4. Replace ignitor cable5. Replace piezo ignitor6. Replace electrode7. Reposition electrode
When ignitor button is pressed, there is spark at pilot but no ignition (GA9003 Only)	<ol style="list-style-type: none">1. Gas supply turned off or equipment shutoff valve closed2. Control knob not in PILOT position3. Control knob not pressed in while in PILOT position4. Air in gas lines when installed5. Pilot adjustment screw closed6. Pilot is clogged7. Low gas pressure	<ol style="list-style-type: none">1. Turn on gas supply or open equipment shutoff valve2. Turn control knob to PILOT position3. Press in control knob while in PILOT position4. Continue holding down control knob. Repeat igniting operation until air is removed5. Adjust pilot flame for approximately 2" blue flame6. Clean pilot (see <i>Cleaning and Maintenance</i>, page 17) or replace pilot assembly7. Replace gas control
Pilot lights but flame goes out when control knob is released (GA9003 Only)	<ol style="list-style-type: none">1. Control knob not fully pressed in2. Control knob not pressed in long enough3. Equipment shutoff valve not fully open4. Pilot flame not touching thermocouple, which allows thermocouple to cool, causing pilot flame to go out. This problem could be caused by one or both of the following: A) Low gas pressure B) Dirty or partially clogged pilot5. Thermocouple connection loose at control valve6. Thermocouple damaged7. Control valve damaged	<ol style="list-style-type: none">1. Press in control knob fully2. After pilot lights, keep control knob pressed in 30 seconds3. Fully open equipment shutoff valve4. A) Contact local natural or propane/LP gas company B) Clean pilot (see <i>Cleaning and Maintenance</i>, page 17) or replace pilot assembly5. Hand tighten until snug, then tighten 1/4 turn more6. Replace thermocouple7. Replace control valve
Burner does not light after pilot is lit (GA9003 Only)	<ol style="list-style-type: none">1. Burner orifice clogged2. Inlet gas pressure is too low3. Burner orifice diameter is too small4. Thermocouple leads disconnected or improperly connected	<ol style="list-style-type: none">1. Clean burner orifice2. Contact local natural or propane/LP gas company3. Replace burner orifice4. Reconnect leads
Delayed ignition burner (GA9003 Only)	<ol style="list-style-type: none">1. Pilot flame needs adjusting2. Wrong pilot orifice	<ol style="list-style-type: none">1. Adjust pilot flame for approximately 2" blue flame2. Replace pilot orifice set

VANGUARD®

VENTED NATURAL GAS LOGS

TROUBLESHOOTING

Continued

- ⚠ WARNING:** If you smell gas
- Shut off gas supply.
 - Do not try to light any appliance.
 - Do not touch any electrical switch; do not use any phone in your building.
 - Immediately call your gas supplier from a neighbor's phone. Follow the gas supplier's instructions.
 - If you cannot reach your gas supplier, call the fire department.

IMPORTANT: Operating log set where impurities in air exist may create odors. Cleaning supplies, paint, paint remover, cigarette smoke, cements and glues, new carpet or textiles, etc., create fumes. These fumes may mix with combustion air and create odors. These odors will disappear over time.

OBSERVED PROBLEM	POSSIBLE CAUSE	REMEDY
Log Set produces a clicking/ticking noise just after burner is lit or shut off	1. Metal expanding while heating or contracting while cooling	1. This is common with most log sets. If noise is excessive, contact qualified service person
Log Set produces unwanted odors	1. Log Set burning vapors from paint, hair spray, glues, cleaners, chemicals, new carpet, etc. (See IMPORTANT statement above) 2. Gas leak. See Warning statement at top of page	1. Open flue to maximum. Stop using odor causing products while log set is running 2. Locate and correct all leaks (see <i>Checking Gas Connections</i> , pages 8 and 9)
Gas odor even when control knob is in OFF position	1. Gas leak. See Warning statement at top of page 2. Control valve defective	1. Locate and correct all leaks (see <i>Checking Gas Connections</i> , pages 8 and 9) 2. Replace control valve
Gas odor during combustion	1. Gas leak. See Warning statement at top of page	2. Locate and correct all leaks (see <i>Checking Gas Connections</i> , pages 8 and 9)

OWNER'S MANUAL

CLEANING AND MAINTENANCE

- Keep the area around the log set clean and clear of debris.
- Occasionally, you may use a soft bristle brush to clean logs.
- Once every year a qualified agency or certified chimney sweep should examine and clean the venting system of the fireplace.

REPLACEMENT PARTS

Note: Use only original replacement parts. This will protect your warranty coverage for parts replaced under warranty.

PARTS UNDER WARRANTY

Contact authorized dealers of this product. If they can't supply original replacement part(s), call DESA International's Technical Service Department at 1-800-DESA LOG (1-800-337-2564).

When calling DESA International, have ready

- your name
- your address
- model and serial numbers of your fireplace
- how fireplace was malfunctioning
- type of gas used (propane/LP or natural gas)
- purchase date

Usually, we will ask you to return the defective part to the factory.

PARTS NOT UNDER WARRANTY

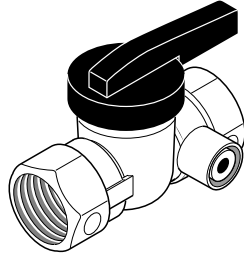
Contact authorized dealers of this product or Parts Central (see page 20). If they can't supply original replacement part(s), call DESA International's Parts Department at 1-800-972-7879 for referral information.

When calling DESA International, have ready

- model number of your fireplace
- the replacement part number

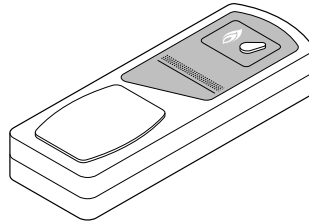
ACCESSORIES

Purchase these fireplace accessories from your local dealer. If they can not supply these accessories, call DESA International's Sales Department at 1-800-432-2382 for information. You can also write to the address listed on the back page of this manual.



EQUIPMENT SHUTOFF VALVE GA5010

For all models. Equipment shutoff valve with 1/8" NPT tap. Fits 1/2" NPT pipe.



RECEIVER AND HAND-HELD REMOTE CONTROL KIT - GHRC Series

For all models. Allows the gas log set to be turned on and off by using a hand-held remote control. Valve/Pilot Kit GA9103 must be used with this remote.

ON/OFF SAFETY VALVE/PILOT KIT - GA9003 (Not Shown)

For all models. Required for Propane/LP installation.

REMOTE READY VALVE/PILOT KIT - GA9103 (Not Shown)

For all models.

PINE CONES - GA9600 (Not Shown)

For all models. Use for additional decoration only. Carton of 6 Boxes (3 pine cones per box).

ASH BED MATERIAL (Vermiculite) - GA9700 (Not Shown)

For all models. Carton of 6.

GLOWING EMBERS - GA9900 (Not Shown)

For all models. Use for firebox decoration only.

SILICA SAND - GA9800 (Not Shown)

For all models. Use for firebox decoration only. Carton of 6.

LAVA ROCK - GA6066 (Not Shown)

For all models. Use for firebox decoration only.

DECORATIVE ASH BED CONTROL COVER - DABK (Not Shown)

An attractive way to cover control knob and piezo ignitor.

18" ORNAMENTAL GRATE ENHANCER - GA9310 (Not Shown)

For 18" models only. Additional decoration for front grate.

24" ORNAMENTAL GRATE ENHANCER - GA9320 (Not Shown)

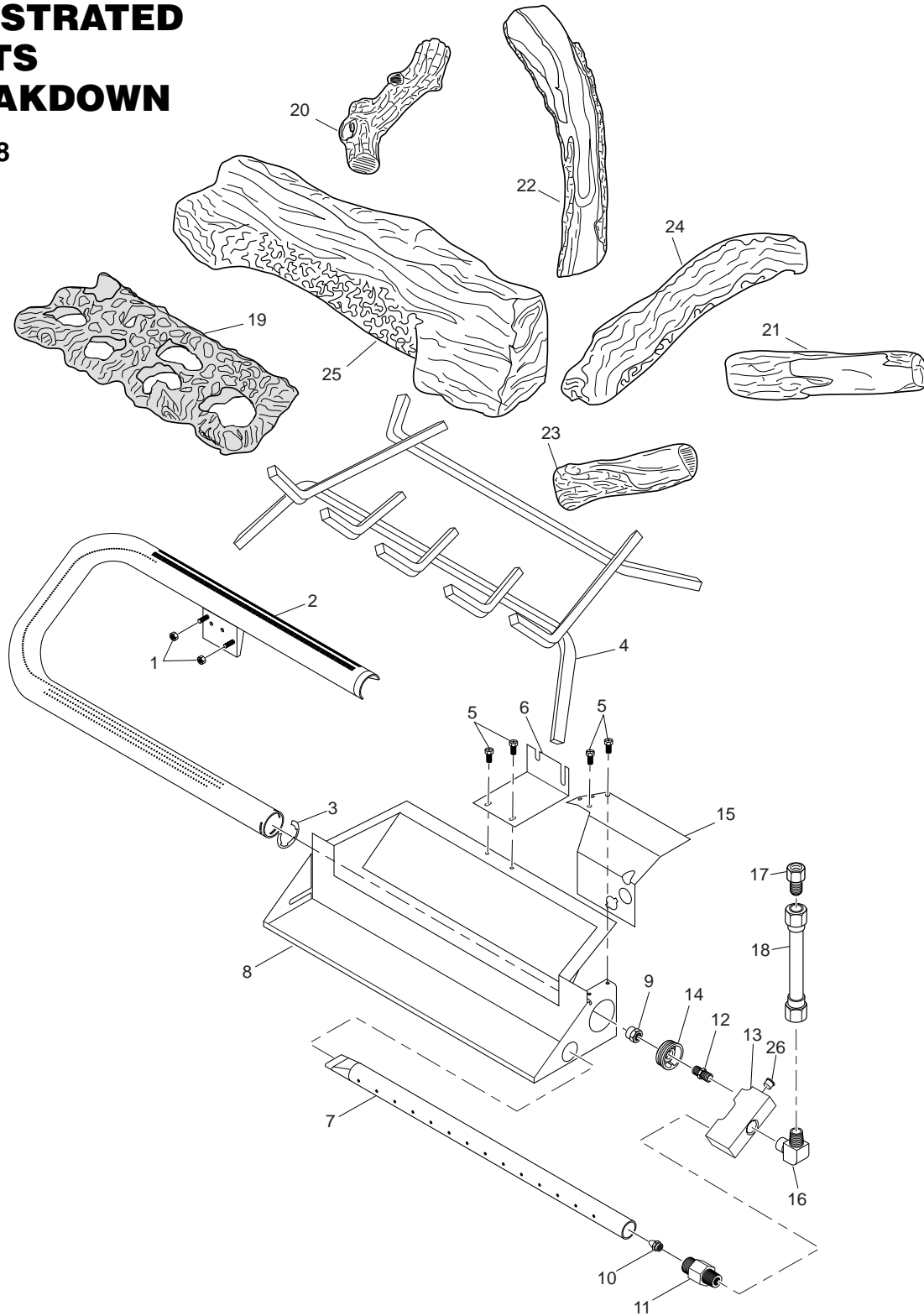
For 24" models only. Additional decoration for front grate.

VANGUARD®

VENTED NATURAL GAS LOGS

ILLUSTRATED PARTS BREAKDOWN

VVTR18



OWNER'S MANUAL

PARTS LIST

This list contains replaceable parts used in your log set. When ordering parts, follow the instructions listed under *Replacement Parts* on page 17 of this manual.

VVTR18

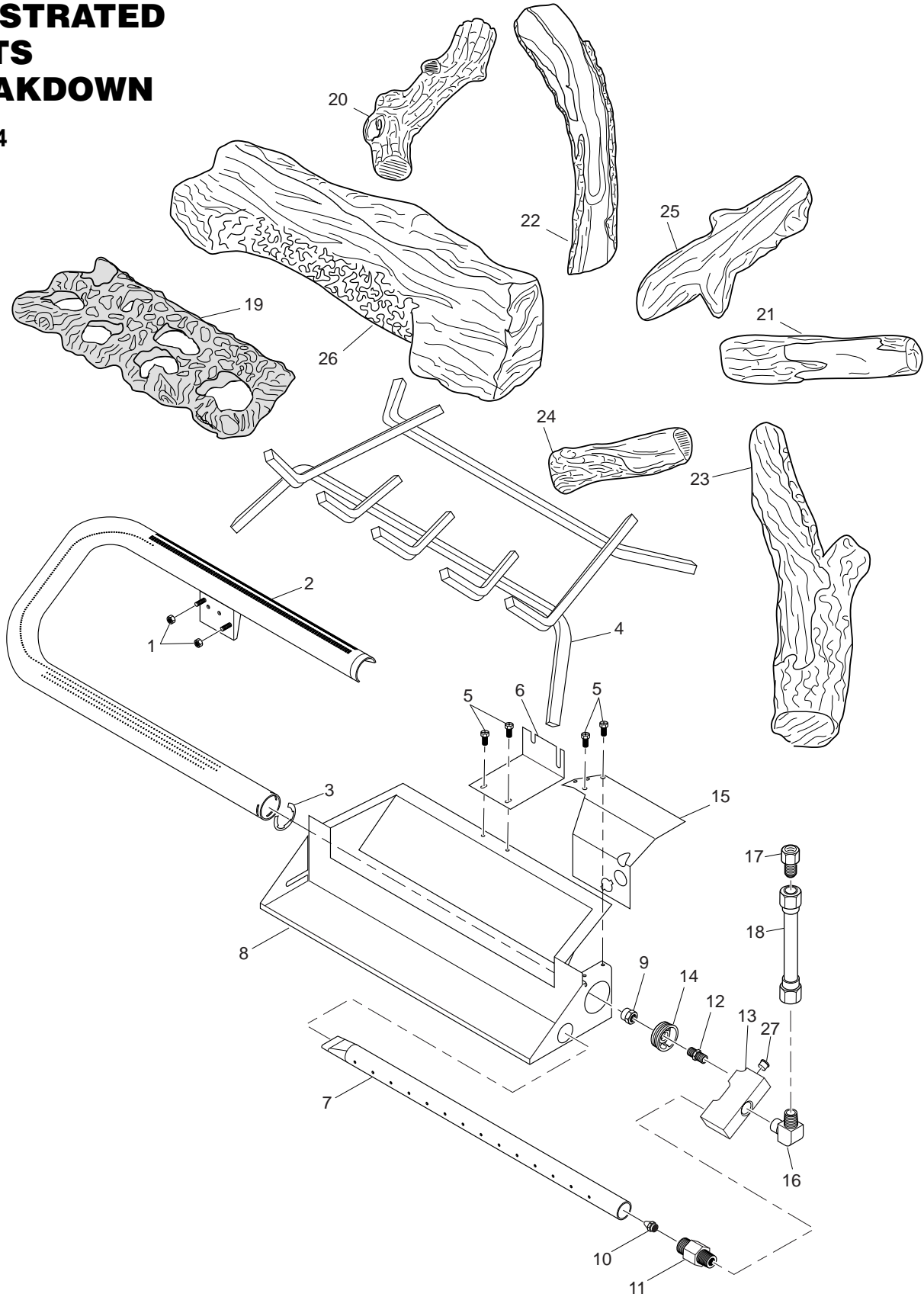
KEY NO.	PART NUMBER	DESCRIPTION	QTY.
1	098249-01	ODS Nut	2
2	901752-02	Rear Burner	1
3	102843-01	Burner Clip	1
4	901246-01	Log Grate	1
5	098304-01	Screw, 10-16 x .38	4
6	901762-01	Burner Bracket	1
7	901754-02	Front Burner	1
8	901753-02	Burner Pan	1
9	901750-01	Nozzle	1
10	901064-05	Natural Gas Injector	1
11	901066-01	Brass Air Mixer - Natural Gas	1
12	901761-01	1/8 Hex Nipple	1
13	901760-01	Manifold Block	1
14	901751-01	Air Restrictor	1
15	901756-01	Valve Cover	1
16	901056-01	Brass Elbow Flare Fitting	1
17	901058-01	Brass 3/8 FLR x 1/2 FPT Adapter	1
18	101628-01	Gas Line - 10" Flex	1
19	901769-02	Ember Bed	1
20	901580-02	Top Log VR-11/VC	1
21	901587-04	Top Log VCR-9/VS	1
22	901528-04	Top Log CS-16/VS	1
23	901579-02	Top Log VR-10Y/VS	1
24	901676-05	Top Log CS-13Y/VS	1
25	901530-03	Bottom Log CSB-18/VS	1
26	901759-01	Manifold Plug	1
PARTS AVAILABLE — NOT SHOWN			
	901036-01	RADCO GEN Rating Plate	1
	901039-08	Rating Information Plate	1
	901242-01	Damper Clamp	1

VANGUARD

VENTED NATURAL GAS LOGS

ILLUSTRATED PARTS BREAKDOWN

VVTR24



OWNER'S MANUAL

PARTS LIST

This list contains replaceable parts used in your log set. When ordering parts, follow the instructions listed under *Replacement Parts* on page 17 of this manual.

VVTR24

KEY NO.	PART NUMBER	DESCRIPTION	QTY.
1	098249-01	ODS Nut	2
2	901752-01	Rear Burner	1
3	102843-01	Burner Clip	1
4	901246-02	Log Grate	1
5	098304-01	Screw, 10-16 x .38	4
6	901762-01	Burner Bracket	1
7	901754-01	Front Burner	1
8	901753-01	Burner Pan	1
9	901750-01	Nozzle	1
10	901064-01	Natural Gas Injector	1
11	901066-01	Brass Air Mixer - Natural Gas	1
12	901761-01	1/8 Hex Nipple	1
13	901760-01	Manifold Block	1
14	901751-01	Air Restrictor	1
15	901756-01	Valve Cover	1
16	901056-01	Brass Elbow Flare Fitting	1
17	901058-01	Brass 3/8 FLR x 1/2 FPT Adapter	1
18	101628-01	Gas Line - 10" Flex	1
19	901769-01	Ember Bed	1
20	901580-02	Top Log VR-11/VC	1
21	901587-04	Top Log VCR-9/VS	1
22	901528-04	Top Log CS-16/VS	1
23	901540-04	Top Log CS-18/VS	1
24	901579-02	Top Log VR-10Y/VS	1
25	901588-01	Top Log VS-12	1
26	901532-03	Bottom Log CS-24/VS	1
27	901759-01	Manifold Plug	1
PARTS AVAILABLE — NOT SHOWN			
	901036-01	RADCO GEN Rating Plate	1
	901038-04	Rating Information Plate	1
	901242-01	Damper Clamp	1

WARRANTY INFORMATION

KEEP THIS WARRANTY

Model _____
Serial No. _____
Date Purchased _____

Always specify model and serial numbers when communicating with the factory.

We reserve the right to amend these specifications at any time without notice. The only warranty applicable is our standard written warranty. We make no other warranty, expressed or implied.

LIMITED WARRANTY VANGUARD VENTED GAS LOGS

DESA International warrants this product to be free from defects on burner system for two (2) years and logs for a lifetime from the date of first purchase, provided that the product has been properly installed, operated and maintained in accordance with all applicable instructions. To make a claim under this warranty the Bill of Sale or cancelled check must be presented.

This warranty is extended only to the original retail purchaser. This warranty covers the cost of part(s) required to restore this log set to proper operating condition and an allowance for labor when provided by a DESA Authorized Service Center. Warranty part(s) MUST be obtained through authorized dealers of this product and/or DESA International who will provide original factory replacement parts. Failure to use original factory replacement parts voids this warranty. The log set MUST be installed by a qualified installer in accordance with all local codes and instructions furnished with the unit.

This warranty does not apply to parts that are not in original condition because of normal wear and tear, or parts that fail or become damaged as a result of misuse, accidents, lack of proper maintenance or defects caused by improper installation. Travel, diagnostic cost, labor, transportation and any and all such other costs related to repairing a defective log set will be the responsibility of the owner.

TO THE FULL EXTENT ALLOWED BY THE LAW OF THE JURISDICTION THAT GOVERNS THE SALE OF THE PRODUCT; THIS EXPRESS WARRANTY EXCLUDES ANY AND ALL OTHER EXPRESSED WARRANTIES AND LIMITS THE DURATION OF ANY AND ALL IMPLIED WARRANTIES, INCLUDING WARRANTIES OF MERCHANTABILITY AND FITNESS FOR A PARTICULAR PURPOSE TO TWO (2) YEARS ON BURNER SYSTEM AND A LIFETIME ON LOGS FROM THE DATE OF FIRST PURCHASE; AND DESA INTERNATIONAL'S LIABILITY IS HEREBY LIMITED TO THE PURCHASE PRICE OF THE PRODUCT AND DESA INTERNATIONAL SHALL NOT BE LIABLE FOR ANY OTHER DAMAGES WHATSOEVER INCLUDING INDIRECT, INCIDENTAL OR CONSEQUENTIAL DAMAGES.

Some states do not allow a limitation on how long an implied warranty lasts or an exclusion or limitation of incidental or consequential damages, so the above limitation on implied warranties, or exclusion or limitation on damages may not apply to you.

This warranty gives you specific legal rights, and you may also have other rights that vary from state to state.

For information about this warranty write:

DESA
INTERNATIONAL

2701 Industrial Drive
P.O. Box 90004
Bowling Green, KY 42102-9004
www.desatech.com



901847 01

NOT A UPC

901847-01
Rev. A
04/00

Free Manuals Download Website

<http://myh66.com>

<http://usermanuals.us>

<http://www.somanuals.com>

<http://www.4manuals.cc>

<http://www.manual-lib.com>

<http://www.404manual.com>

<http://www.luxmanual.com>

<http://aubethermostatmanual.com>

Golf course search by state

<http://golfingnear.com>

Email search by domain

<http://emailbydomain.com>

Auto manuals search

<http://auto.somanuals.com>

TV manuals search

<http://tv.somanuals.com>