

*If you have questions or comments, contact us.
Pour toute question ou tout commentaire, nous contacter.
Si tiene dudas o comentarios, contáctenos.*

1-800-4-DEWALT • www.dewalt.com

**INSTRUCTION MANUAL
GUIDE D'UTILISATION
MANUAL DE INSTRUCCIONES**

INSTRUCTIVO DE OPERACIÓN, CENTROS DE SERVICIO Y PÓLIZA DE GARANTÍA. **ADVERTENCIA:** LÉASE ESTE INSTRUCTIVO ANTES DE USAR EL PRODUCTO.

DEWALT®

**DWD450, DWD460
VSR Stud and Joist Drill
Perceuse pour charpente VSR
Taladro RVS (Rango de Velocidad Variable) para Vigas**



Definitions: Safety Guidelines

The definitions below describe the level of severity for each signal word. Please read the manual and pay attention to these symbols.

▲ DANGER: Indicates an imminently hazardous situation which, if not avoided, **will** result in **death or serious injury**.

▲ WARNING: Indicates a potentially hazardous situation which, if not avoided, **could** result in **death or serious injury**.

▲ CAUTION: Indicates a potentially hazardous situation which, if not avoided, **may** result in **minor or moderate injury**.

NOTICE: Indicates a practice **not related to personal injury** which, if not avoided, **may** result in **property damage**.

IF YOU HAVE ANY QUESTIONS OR COMMENTS ABOUT THIS OR ANY DEWALT TOOL, CALL US TOLL FREE AT: **1-800-4-DEWALT (1-800-433-9258)**.



WARNING: To reduce the risk of injury, read the instruction manual.

General Power Tool Safety Warnings



WARNING! Read all safety warnings and all instructions. Failure to follow the warnings and instructions may result in electric shock, fire and/or serious injury.

SAVE ALL WARNINGS AND INSTRUCTIONS FOR FUTURE REFERENCE

The term "power tool" in the warnings refers to your mains-operated (corded) power tool or battery-operated (cordless) power tool.

1) WORK AREA SAFETY

- a) **Keep work area clean and well lit.** Cluttered or dark areas invite accidents.
- b) **Do not operate power tools in explosive atmospheres, such as in the presence of flammable liquids, gases or dust.** Power tools create sparks which may ignite the dust or fumes.
- c) **Keep children and bystanders away while operating a power tool.** Distractions can cause you to lose control.

2) ELECTRICAL SAFETY

- a) **Power tool plugs must match the outlet. Never modify the plug in any way. Do not use any adapter plugs with earthed (grounded) power tools.** Unmodified plugs and matching outlets will reduce risk of electric shock.
- b) **Avoid body contact with earthed or grounded surfaces such as pipes, radiators, ranges and refrigerators.** There is an increased risk of electric shock if your body is earthed or grounded.
- c) **Do not expose power tools to rain or wet conditions.** Water entering a power tool will increase the risk of electric shock.
- d) **Do not abuse the cord. Never use the cord for carrying, pulling or unplugging the power tool. Keep cord away from heat, oil, sharp edges or moving parts.** Damaged or entangled cords increase the risk of electric shock.
- e) **When operating a power tool outdoors, use an extension cord suitable for outdoor use.** Use of a cord suitable for outdoor use reduces the risk of electric shock.
- f) **If operating a power tool in a damp location is unavoidable, use a ground fault circuit interrupter (GFCI) protected supply.** Use of a GFCI reduces the risk of electric shock.

3) PERSONAL SAFETY

- a) **Stay alert, watch what you are doing and use common sense when operating a power tool. Do not use a power tool while you are tired or under the influence of drugs, alcohol or medication.** A moment of inattention while operating power tools may result in serious personal injury.
- b) **Use personal protective equipment. Always wear eye protection.** Protective equipment such as dust mask, non-skid safety shoes, hard hat, or hearing protection used for appropriate conditions will reduce personal injuries.
- c) **Prevent unintentional starting. Ensure the switch is in the off position before connecting to power source and/or battery pack, picking up or carrying the tool.** Carrying power tools with your finger on the switch or energizing power tools that have the switch on invites accidents.
- d) **Remove any adjusting key or wrench before turning the power tool on.** A wrench or a key left attached to a rotating part of the power tool may result in personal injury.
- e) **Do not overreach. Keep proper footing and balance at all times.** This enables better control of the power tool in unexpected situations.
- f) **Dress properly. Do not wear loose clothing or jewelry. Keep your hair, clothing and gloves away from moving parts.** Loose clothes, jewelry or long hair can be caught in moving parts.
- g) **If devices are provided for the connection of dust extraction and collection facilities, ensure these are connected and properly used.** Use of dust collection can reduce dust-related hazards.

4) POWER TOOL USE AND CARE

- a) **Do not force the power tool. Use the correct power tool for your application.** The correct power tool will do the job better and safer at the rate for which it was designed.

- b) **Do not use the power tool if the switch does not turn it on and off.** Any power tool that cannot be controlled with the switch is dangerous and must be repaired.
 - c) **Disconnect the plug from the power source and/or the battery pack from the power tool before making any adjustments, changing accessories, or storing power tools.** Such preventive safety measures reduce the risk of starting the power tool accidentally.
 - d) **Store idle power tools out of the reach of children and do not allow persons unfamiliar with the power tool or these instructions to operate the power tool.** Power tools are dangerous in the hands of untrained users.
 - e) **Maintain power tools. Check for misalignment or binding of moving parts, breakage of parts and any other condition that may affect the power tool's operation. If damaged, have the power tool repaired before use.** Many accidents are caused by poorly maintained power tools.
 - f) **Keep cutting tools sharp and clean.** Properly maintained cutting tools with sharp cutting edges are less likely to bind and are easier to control.
 - g) **Use the power tool, accessories and tool bits, etc. in accordance with these instructions, taking into account the working conditions and the work to be performed.** Use of the power tool for operations different from those intended could result in a hazardous situation.
- ### 5) SERVICE
- a) **Have your power tool serviced by a qualified repair person using only identical replacement parts.** This will ensure that the safety of the power tool is maintained.

Additional Specific Safety Instructions

- **Use auxiliary handle(s), if supplied with the tool.** Loss of control can cause personal injury.
- **Hold power tool by insulated gripping surfaces, when performing an operation where the cutting accessory may contact hidden wiring or its own cord.** Cutting accessory contacting a "live" wire may make exposed metal parts of the power tool "live" and could give the operator an electric shock.
- **Wear ear protectors with impact drills.** Exposure to noise can cause hearing loss.
- **Use clamps or other practical way to secure and support the workpiece to a stable platform.** Holding the work by hand or against your body is unstable and may lead to loss of control.
- **Wear safety goggles or other eye protection.** Hammering and drilling operations cause chips to fly. Flying particles can cause permanent eye damage.
- **Keep handles dry, clean, and free from oil and grease.** This will enable better control of the tool.
- **Air vents often cover moving parts and should be avoided.** Loose clothes, jewellery or long hair can be caught in moving parts.
- **An extension cord must have adequate wire size (AWG or American Wire Gauge) for safety.** The smaller the gauge number of the wire, the greater the capacity of the cable, that is 16 gauge has more capacity than 18 gauge. An undersized cord will cause a drop in line voltage resulting in loss of power and overheating. When using more than one extension to make up the total length, be sure each individual extension contains at least the minimum wire size. The following table shows the correct size to use depending on cord length and nameplate ampere rating. If in doubt, use the next heavier gauge. The smaller the gauge number, the heavier the cord.

Minimum Gauge for Cord Sets						
Ampere Rating		Volts	Total Length of Cord in Feet (meters)			
		120V	25 (7.6)	50 (15.2)	100 (30.5)	150 (45.7)
		240V	50 (15.2)	100 (30.5)	200 (61.0)	300 (91.4)
More Than	Not More Than	AWG				
0	6		18	16	16	14
6	10		18	16	14	12
10	12		16	16	14	12
12	16		14	12	Not Recommended	

⚠WARNING: ALWAYS use safety glasses. Everyday eyeglasses are NOT safety glasses. Also use face or dust mask if cutting operation is dusty. ALWAYS WEAR CERTIFIED SAFETY EQUIPMENT:

- ANSI Z87.1 eye protection (CAN/CSA Z94.3),
- ANSI S12.6 (S3.19) hearing protection,
- NIOSH/OSHA/MSHA respiratory protection.

⚠WARNING: Some dust created by power sanding, sawing, grinding, drilling, and other construction activities contains chemicals known to the State of California to cause cancer, birth defects or other reproductive harm. Some examples of these chemicals are:

- lead from lead-based paints,
- crystalline silica from bricks and cement and other masonry products, and
- arsenic and chromium from chemically-treated lumber.

Your risk from these exposures varies, depending on how often you do this type of work. To reduce your exposure to these chemicals: work in a well ventilated area, and work with approved safety equipment, such as those dust masks that are specially designed to filter out microscopic particles.

- **Avoid prolonged contact with dust from power sanding, sawing, grinding, drilling, and other construction activities. Wear protective clothing and wash exposed areas with soap and water.** Allowing dust to get into your mouth, eyes, or lay on the skin may promote absorption of harmful chemicals.

▲WARNING: Use of this tool can generate and/or disperse dust, which may cause serious and permanent respiratory or other injury. Always use NIOSH/OSHA approved respiratory protection appropriate for the dust exposure. Direct particles away from face and body.

▲WARNING: Always wear proper personal hearing protection that conforms to ANSI S12.6 (S3.19) during use. Under some conditions and duration of use, noise from this product may contribute to hearing loss.

- The label on your tool may include the following symbols. The symbols and their definitions are as follows:

V.....volts	A.....amperes
Hz.....hertz	W.....watts
min minutes	~ or AC.....alternating current
==== or DC... direct current	⊘ or AC/DC...alternating or direct current
⚡..... Class I Construction (grounded)	⊘.....no load
□..... Class II Construction (double insulated)	n rated speed
.../min per minute	n rated speed
BPM.....beats per minute	⊕.....earthing terminal
IPM.....impacts per minute	
RPM.....revolutions per minute	

sfpd surface feet per minute
 SPMstrokes per minute
 ▲.....safety alert symbol

SAVE THESE INSTRUCTIONS FOR FUTURE USE

Motor

Be sure your power supply agrees with the nameplate marking. Voltage decrease of more than 10% will cause loss of power and overheating. DEWALT tools are factory tested; if this tool does not operate, check power supply.

COMPONENTS (Fig. 1, 5)

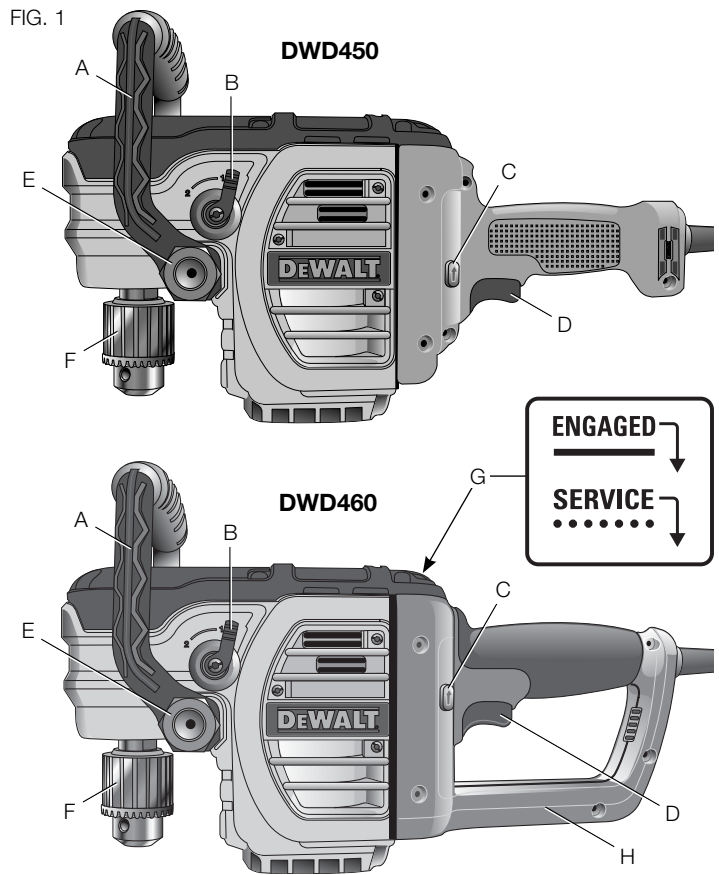
▲WARNING: Never modify the power tool or any part of it. Damage or personal injury could result.

- | | |
|---------------------------|---------------------------------|
| A. Bail handle | F. 1/2" (13 mm) keyed chuck |
| B. Speed selector lever | G. E-Clutch™ indicator (DWD460) |
| C. Forward/reverse button | H. Knuckle guard (DWD460) |
| D. Trigger switch | I. Side handle (two positions) |
| E. Bail handle bolt | |

INTENDED USE

The DWD450 and DWD460 heavy-duty stud and joist drills are designed for professional drilling at various work sites (i.e., construction sites). **DO NOT** use under wet conditions or in presence of flammable liquids or gases.

These heavy-duty stud and joist drills are professional power tools. **DO NOT** let children come into contact with the tool. Supervision is required when inexperienced operators use this tool.



ASSEMBLY AND ADJUSTMENTS

⚠WARNING: To reduce the risk of injury, turn unit off and disconnect it from power source before installing and removing accessories, before adjusting or when making repairs. An accidental start-up can cause injury.

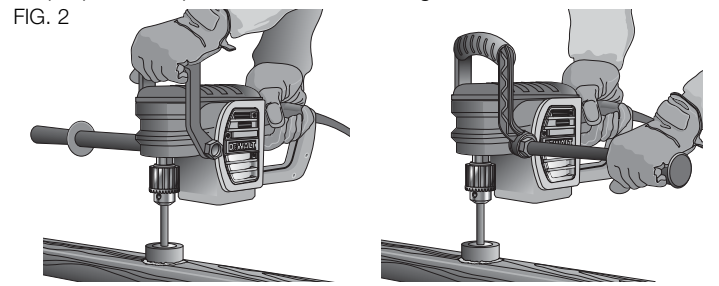
Torque

⚠WARNING: This is a high-torque drill. To reduce the risk of serious personal injury, **ALWAYS** hold tool firmly with both hands in the proper position for operation as shown.

Torque is the twisting action the drill produces in regards to the rotating bit. As the drill bit meets resistance in the material being drilled, the motor responds by adjusting the output torque to meet the requirement up to the maximum capacity of the motor and gear system.

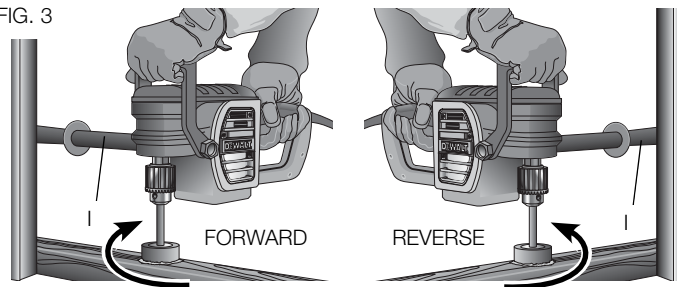
BRACING THE TOOL (FIG. 2, 3)

⚠WARNING: To reduce the risk of serious personal injury, **ALWAYS** use proper hand position as shown in Figure 2.



⚠WARNING: To reduce the risk of serious personal injury, **ALWAYS** hold or brace the tool securely in anticipation of a sudden reaction. With hands in the proper hand position, brace the tool as shown in Figure 3.

FIG. 3

**SLIP CLUTCH**

The DWD450 and DWD460 are each equipped with a slip clutch. The clutch is active when the low speed (1) is selected. When the bit or cutter bites into the workpiece, the clutch will slip and a ratcheting sound will be heard. Release the trigger. Continued clutching of the tool will reduce the life of this feature.

E-CLUTCH™ (DWD460)

The DWD460 is equipped with E-Clutch™. This feature senses the motion of the tool and reduces the motor torque to a manageable level if necessary. The E-Clutch™ indicator (G) will illuminate to indicate status.

INDICATOR	DIAGNOSIS	SOLUTION
OFF	Tool is functioning normally	Follow all warnings and instructions when operating the tool.
SOLID	E-Clutch™ has been activated (ENGAGED)	With the tool properly supported, release trigger. The tool will function normally when the trigger is depressed again and the indicator light will go out

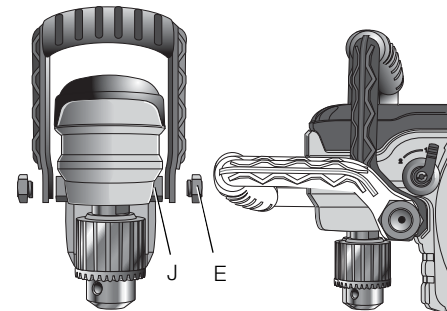
INDICATOR	DIAGNOSIS	SOLUTION
FLASHING	E-Clutch™ is malfunctioning (SERVICE)	Take the tool to an authorized DEWALT repair agent.

NOTE: If tool power is insufficient for normal drilling and LED does not flash take tool to authorized DEWALT repair center.

Bail Handle (Fig. 4)

A bail handle is provided for carrying the tool and for use as an additional handle. Assemble the bail handle in one of the positions shown in Figure 4. When changing the location of the bail handle from one position to the other, completely remove the two bail handle bolts (E) securing it. Flip the handle over and reinstall.

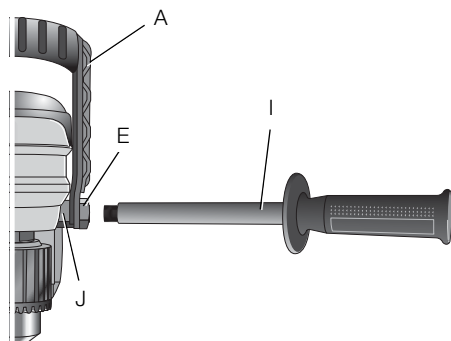
FIG. 4

**Side Handle (Fig. 5)**

⚠WARNING: To reduce the risk of personal injury, always operate the tool with the side handle properly installed and tightened. Failure to do so may result in the side handle slipping during tool operation and subsequent loss of control. Hold tool with both hands to maximize control.

The two position side handle (I) can be assembled into either side of tool. Thread the side handle (I) into the bail handle bolt (E) or directly into threaded holes (J) on desired side. Tighten securely by hand.

FIG. 5



Speed Selector (Fig. 1)

NOTICE: Risk of tool damage. Do not rotate the speed selector lever while the drill is running or coasting, damage may occur to the tool.

Rotate the speed selector lever (B) to the desired speed:

- 1 = low speed (330 RPM)
- 2 = high speed (1300 RPM)

NOTE: The first time the tool is run after changing speeds, you may hear a click on start up. This is normal and does not indicate a problem.

Trigger Switch (Fig. 1)

Depressing the trigger switch (D) turns the tool on, releasing the trigger switch turns the tool off.

VARIABLE SPEED

A variable speed trigger switch permits speed control—the farther the trigger is depressed, the higher the speed of the drill.

NOTE: Use lower speeds for starting holes without a center punch, drilling in metal, plastics or ceramics. Higher speeds are better for drilling wood and composition boards.

Forward/Reverse Button (Fig. 1)

A forward/reverse button (C) determines the direction of the tool. It is located in front of the trigger switch.

To select forward rotation, release the trigger switch (D) and depress the forward/reverse button on the right side of the tool.

To select reverse, depress the forward/reverse button on the left side of the tool. When changing the position of the button, be sure the trigger is released.

NOTE: The first time the tool is run after changing the direction of rotation, you may hear a click on start up. This is normal and does not indicate a problem.

OPERATION

⚠WARNING: To reduce the risk of injury, turn unit off and disconnect it from power source before installing and removing accessories, before adjusting or when making repairs. An accidental start-up can cause injury.

The bit rotates clockwise when the tool is in the forward position and counterclockwise when the tool is in the reverse position. If the bit binds, the tool will slow to a manageable level. Using proper hand position, brace the side handle (I) or tool body against a stud for better support (Fig. 3).

Drilling

⚠ WARNING: To reduce the risk of personal injury, ALWAYS ensure workpiece is anchored or clamped firmly. If drilling thin material, use a wood "back-up" block to prevent damage to the material.

1. Use sharp drill bits only. For WOOD, use twist drill bits, spade bits, power auger bits, or hole saws. For METAL, use steel twist drill bits or hole saws.
2. Always apply pressure in a straight line with the bit. Use enough pressure to keep drill biting, but do not push hard enough to stall the motor or deflect the bit.
3. Hold tool firmly with both hands to control the twisting action of the drill.
4. **IF DRILL STALLS**, it is usually because it is being overloaded or improperly used. **RELEASE TRIGGER IMMEDIATELY**, remove drill bit from work, and determine cause of stalling. **DO NOT CLICK TRIGGER ON AND OFF IN AN ATTEMPT TO START A STALLED DRILL — THIS CAN DAMAGE THE DRILL.**
5. To minimize stalling or breaking through the material, reduce pressure on drill and ease the bit through the last fractional part of the hole.
6. Keep the motor running when pulling the bit back out of a drilled hole. This will help prevent jamming.
7. With variable speed drills there is no need to center punch the point to be drilled. Use a slow speed to start the hole and accelerate by squeezing the trigger harder when the hole is deep enough to drill without the bit skipping out.

DRILLING IN METAL

Start drilling with slow speed and increase to full power while applying firm pressure on the tool. A smooth even flow of metal chips indicates the proper drilling rate. Use a cutting lubricant when drilling metals. The exceptions are cast iron and brass which should be drilled dry.

NOTE: Large [5/16" (8 mm) to 1/2" (13 mm)] holes in steel can be made easier if a pilot hole [5/32" (4 mm) to 3/16" (5 mm)] is drilled first.

DRILLING IN WOOD

Start drilling with slow speed and increase to full power while applying firm pressure on the tool. Holes in wood can be made with the same twist drills used for metal. These bits may overheat unless pulled out frequently to clear chips from the flutes. Work that is apt to splinter should be backed up with a block of wood.

Chuck Key Holder (Fig. 6, 7, 8)

1. Push double-hole end of holder through the slot in other end of holder (Fig. 6).
2. Slip loop over electric plug and draw loop tight around cord (Fig. 7).
3. Push ends of chuck key handle (long end first) through two holes in end of holder (Fig. 8).

FIG. 6



FIG. 7

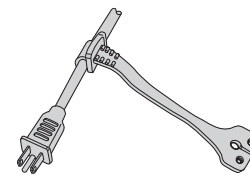


FIG. 8



Keyed Chuck

Open the chuck jaws by turning collar by hand and insert the shank of the bit about 3/4" (19 mm) into chuck. Tighten the chuck collar by hand. Place chuck key in each of the three holes, and tighten in clockwise direction. It's important to tighten chuck with all three holes. To release the bit, turn the chuck counterclockwise in just one hole, then loosen the chuck by hand.

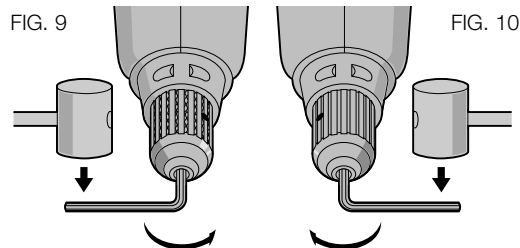
NOTE: When using hex shank or three sided shank bits be sure to align the flat sides of the bit with the chuck jaws to ensure the bit is properly engaged by the jaws.

REMOVAL OF KEYED CHUCK (FIG. 9)

Remove the left-handed clutch screw using a T25 torx wrench, rotating clockwise to loosen. Tighten the chuck around the shorter end of a hex wrench (not supplied) of 3/8" (10 mm) size. With the tool braced securely, use a soft hammer and strike the hex wrench sharply in the counterclockwise direction when viewed from the front of the tool. This will loosen the chuck so that it can be removed by hand.

KEYED CHUCK INSTALLATION (FIG. 10)

Screw the chuck on by hand as far as it will go. Insert the shorter end of a hex wrench (not supplied) of 3/8" (10 mm) size and strike it in the clockwise direction with a soft hammer. Reinstall the left handed clutch screw.



MAINTENANCE

⚠ WARNING: To reduce the risk of injury, turn unit off and disconnect it from power source before installing and removing accessories, before adjusting or when making repairs. An accidental start-up can cause injury.

Motor Brushes

DEWALT uses an advanced brush system which automatically stops the drill when the brushes wear out. This prevents serious damage to the motor. New brush assemblies are available at authorized DEWALT service centers. Always use identical replacement parts.

Lubrication

Your tool was properly lubricated before leaving the factory. In from two to six months, depending upon use, take or send your tool to a DEWALT Service Center or other qualified service organization for a complete cleaning, inspection and relubrication.

Tools used constantly on production or heavy duty jobs or exposed to heat may require more frequent lubrication. Tools "out of service" for long periods should be relubricated before being put back into service.

Cleaning

⚠ WARNING: Blow dirt and dust out of all air vents with clean, dry air at least once a week. To minimize the risk of eye injury, always wear ANSI Z87.1 approved eye protection when performing this.

⚠ WARNING: Never use solvents or other harsh chemicals for cleaning the non-metallic parts of the tool. These chemicals may weaken the plastic materials used in these parts. Use a cloth dampened only with water and mild soap. Never let any liquid get inside the tool; never immerse any part of the tool into a liquid.

Accessories

⚠ WARNING: Since accessories, other than those offered by DEWALT, have not been tested with this product, use of such accessories with this tool could be hazardous. To reduce the risk of injury, only DEWALT recommended accessories should be used with this product.

Recommended accessories for use with your tool are available at extra cost from your local dealer or authorized service center. If you need assistance in locating any accessory, please contact DEWALT Industrial Tool Co., 701 East Joppa Road, Baltimore, MD 21286, call 1-800-4-DEWALT (1-800-433-9258) or visit our website: www.dewalt.com.

MAXIMUM RECOMMENDED CAPACITIES

	LOW SPEED	HIGH SPEED
R.P.M.	330	1300
WOOD, FLAT BORING	-	1-1/2" (38 mm)
HOLE SAWS	6" (152.4 mm)	
SHIP AUGER	-	1-1/2" (38 mm)
SELF-FEED BITS	4-5/8" (102 mm)	2-9/16" (65 mm)
CLUTCH OPERATIVE	YES	NO
E-CLUTCH™ (DWD460)	YES	YES

NOTE: For holes in metal larger than 1/2" (13 mm) use hole saws.

Repairs

To assure product SAFETY and RELIABILITY, repairs, maintenance and adjustment (including brush inspection and replacement) should be performed by a DEWALT factory service center, a DEWALT authorized service center or other qualified service personnel. Always use identical replacement parts.

Register Online

Thank you for your purchase. Register your product now for:

- **WARRANTY SERVICE:** Registering your product will help you obtain more efficient warranty service in case there is a problem with your product.

- **CONFIRMATION OF OWNERSHIP:** In case of an insurance loss, such as fire, flood or theft, your registration of ownership will serve as your proof of purchase.
- **FOR YOUR SAFETY:** Registering your product will allow us to contact you in the unlikely event a safety notification is required under the Federal Consumer Safety Act.

Register online at www.dewalt.com/register.

Three Year Limited Warranty

DEWALT will repair, without charge, any defects due to faulty materials or workmanship for three years from the date of purchase. This warranty does not cover part failure due to normal wear or tool abuse. For further detail of warranty coverage and warranty repair information, visit www.dewalt.com or call 1-800-4-DEWALT (1-800-433-9258). This warranty does not apply to accessories or damage caused where repairs have been made or attempted by others. This warranty gives you specific legal rights and you may have other rights which vary in certain states or provinces.

In addition to the warranty, DEWALT tools are covered by our:

1 YEAR FREE SERVICE

DEWALT will maintain the tool and replace worn parts caused by normal use, for free, any time during the first year after purchase.

90 DAY MONEY BACK GUARANTEE

If you are not completely satisfied with the performance of your DEWALT Power Tool, Laser, or Nailer for any reason, you can return it within 90 days from the date of purchase with a receipt for a full refund – no questions asked.

LATIN AMERICA: This warranty does not apply to products sold in Latin America. For products sold in Latin America, see country specific warranty information contained in the packaging, call the local company or see website for warranty information.

FREE WARNING LABEL REPLACEMENT: If your warning labels become illegible or are missing, call 1-800-4-DeWALT (1-800-433-9258) for a free replacement.



English

Définitions : lignes directrices en matière de sécurité

Les définitions ci-dessous décrivent le niveau de danger pour chaque mot-indicateur employé. Lire le mode d'emploi et porter une attention particulière à ces symboles.

⚠ DANGER : indique une situation dangereuse imminente qui, si elle n'est pas évitée, **entraînera la mort ou des blessures graves**.

⚠ AVERTISSEMENT : indique une situation potentiellement dangereuse qui, si elle n'est pas évitée, **pourrait entraîner la mort ou des blessures graves**.

⚠ ATTENTION : indique une situation potentiellement dangereuse qui, si elle n'est pas évitée, **pourrait entraîner des blessures légères ou modérées**.

AVIS : indique une pratique ne posant **aucun risque de dommages corporels** mais qui par contre, si rien n'est fait pour l'éviter, **pourrait poser des risques de dommages matériels**.

POUR TOUTE QUESTION OU REMARQUE AU SUJET DE CET OUTIL OU DE TOUT AUTRE OUTIL DEWALT, COMPOSEZ LE NUMÉRO SANS FRAIS : **1-800-4-DEWALT (1-800-433-9258)**.



AVERTISSEMENT : afin de réduire le risque de blessures, lire le mode d'emploi de l'outil.

Avertissements de sécurité généraux pour les outils électriques



AVERTISSEMENT! lire tous les avertissements de sécurité et toutes les directives. Le non-respect des avertissements et des directives pourrait se solder par un choc électrique, un incendie et/ou une blessure grave.

CONSERVER TOUS LES AVERTISSEMENTS ET TOUTES LES DIRECTIVES POUR UN USAGE ULTÉRIEUR

Le terme « outil électrique » cité dans les avertissements se rapporte à votre outil électrique à alimentation sur secteur (avec fil) ou par piles (sans fil).

1) SÉCURITÉ DU LIEU DE TRAVAIL

- a) **Tenir l'aire de travail propre et bien éclairée.** Les lieux encombrés ou sombres sont propices aux accidents.
- b) **Ne pas faire fonctionner d'outils électriques dans un milieu déflagrant, tel qu'en présence de liquides, de gaz ou de poussières inflammables.** Les outils électriques produisent des étincelles qui pourraient enflammer la poussière ou les vapeurs.
- c) **Éloigner les enfants et les personnes à proximité pendant l'utilisation d'un outil électrique.** Une distraction pourrait en faire perdre la maîtrise à l'utilisateur.

2) SÉCURITÉ EN MATIÈRE D'ÉLECTRICITÉ

- a) **Les fiches des outils électriques doivent correspondre à la prise. Ne jamais modifier la fiche d'aucune façon. Ne jamais utiliser de fiche d'adaptation avec un outil électrique mis à la terre.** Le risque de choc électrique sera réduit par l'utilisation de fiches non modifiées correspondant à la prise.

- b) **Éviter tout contact physique avec des surfaces mises à la terre comme des tuyaux, des radiateurs, des cuisinières et des réfrigérateurs.** Le risque de choc électrique est plus élevé si votre corps est mis à la terre.
- c) **Ne pas exposer les outils électriques à la pluie ou à l'humidité.** La pénétration de l'eau dans un outil électrique augmente le risque de choc électrique.
- d) **Ne pas utiliser le cordon de façon abusive. Ne jamais utiliser le cordon pour transporter, tirer ou débrancher un outil électrique. Tenir le cordon éloigné de la chaleur, de l'huile, des bords tranchants et des pièces mobiles.** Les cordons endommagés ou enchevêtrés augmentent les risques de choc électrique.
- e) **Pour l'utilisation d'un outil électrique à l'extérieur, se servir d'une rallonge convenant à cette application.** L'utilisation d'une rallonge conçue pour l'extérieur réduira les risques de choc électrique.
- f) **S'il est impossible d'éviter l'utilisation d'un outil électrique dans un endroit humide, brancher l'outil dans une prise ou sur un circuit d'alimentation dotés d'un disjoncteur de fuite à la terre (GFCI).** L'utilisation de ce type de disjoncteur réduit les risques de choc électrique.
- 3) SÉCURITÉ PERSONNELLE**
- a) **Être vigilant, surveiller le travail effectué et faire preuve de jugement lorsqu'un outil électrique est utilisé. Ne pas utiliser d'outil électrique en cas de fatigue ou sous l'influence de drogues, d'alcool ou de médicaments.** Un simple moment d'inattention en utilisant un outil électrique peut entraîner des blessures corporelles graves.
- b) **Utiliser des équipements de protection individuelle. Toujours porter une protection oculaire.** L'utilisation d'équipements de protection comme un masque antipoussière, des chaussures antidérapantes, un casque de sécurité ou des protecteurs auditifs lorsque la situation le requiert réduira les risques de blessures corporelles.
- c) **Empêcher les démarrages intempestifs. S'assurer que l'interrupteur se trouve à la position d'arrêt avant de relier l'outil à une source d'alimentation et/ou d'insérer un bloc-piles, de ramasser ou de transporter l'outil.** Transporter un outil électrique alors que le doigt repose sur l'interrupteur ou brancher un outil électrique dont l'interrupteur est à la position de marche risque de provoquer un accident.
- d) **Retirer toute clé de réglage ou clé avant de démarrer l'outil.** Une clé ou une clé de réglage attachée à une partie pivotante de l'outil électrique peut provoquer des blessures corporelles.
- e) **Ne pas trop tendre les bras. Conserver son équilibre en tout temps.** Cela permet de mieux maîtriser l'outil électrique dans les situations imprévues.
- f) **S'habiller de manière appropriée. Ne pas porter de vêtements amples ni de bijoux. Garder les cheveux, les vêtements et les gants à l'écart des pièces mobiles.** Les vêtements amples, les bijoux ou les cheveux longs risquent de rester coincés dans les pièces mobiles.
- g) **Si des composants sont fournis pour le raccordement de dispositifs de dé poussiérage et de ramassage, s'assurer que ceux-ci sont bien raccordés et utilisés.** L'utilisation d'un dispositif de dé poussiérage peut réduire les dangers engendrés par les poussières.
- 4) UTILISATION ET ENTRETIEN D'UN OUTIL ÉLECTRIQUE**
- a) **Ne pas forcer un outil électrique. Utiliser l'outil électrique approprié à l'application.** L'outil électrique approprié effectuera un meilleur travail, de façon plus sûre et à la vitesse pour laquelle il a été conçu.

- b) **Ne pas utiliser un outil électrique dont l'interrupteur est défectueux.** Tout outil électrique dont l'interrupteur est défectueux est dangereux et doit être réparé.
- c) **Débrancher la fiche de la source d'alimentation et/ou du bloc-piles de l'outil électrique avant de faire tout réglage ou changement d'accessoire ou avant de ranger l'outil.** Ces mesures préventives réduisent les risques de démarrage accidentel de l'outil électrique.
- d) **Ranger les outils électriques hors de la portée des enfants et ne permettre à aucune personne n'étant pas familière avec un outil électrique ou son mode d'emploi d'utiliser cet outil.** Les outils électriques deviennent dangereux entre les mains d'utilisateurs inexpérimentés.
- e) **Entretien des outils électriques. Vérifier si les pièces mobiles sont mal alignées ou coincées, si des pièces sont brisées ou présentent toute autre condition susceptible de nuire au bon fonctionnement de l'outil électrique. En cas de dommage, faire réparer l'outil électrique avant toute nouvelle utilisation.** Beaucoup d'accidents sont causés par des outils électriques mal entretenus.
- f) **S'assurer que les outils de coupe sont aiguisés et propres.** Les outils de coupe bien entretenus et affûtés sont moins susceptibles de se coincer et sont plus faciles à maîtriser.
- g) **Utiliser l'outil électrique, les accessoires, les forets, etc. conformément aux présentes directives en tenant compte des conditions de travail et du travail à effectuer.** L'utilisation d'un outil électrique pour toute opération autre que celle pour laquelle il a été conçu est dangereuse.
- 5) RÉPARATION**
- a) **Faire réparer l'outil électrique par un réparateur professionnel en n'utilisant que des pièces de rechange**

identiques. Cela permettra de maintenir une utilisation sécuritaire de l'outil électrique.

Consignes de sécurité particulières additionnelles

- **Utiliser la/les poignée(s) auxiliaire(s) si fournie(s) avec l'outil.** Une perte de contrôle de l'outil pourrait occasionner des dommages corporels.
- **Tenir l'outil par les surfaces isolées prévues à cet effet pendant toute utilisation où l'organe de coupe pourrait entrer en contact avec des fils électriques cachés ou son propre cordon.** Tout contact de l'organe de coupe avec un fil sous tension mettra les parties métalliques exposées de l'outil sous tension et électrocutera l'utilisateur.
- **Pendant l'utilisation d'une perceuse à percussion, porter un protège-oreille.** Le bruit en résultant pourrait occasionner une perte de l'ouïe.
- **Utiliser des serre-joints ou tout autre moyen pour fixer et immobiliser le matériau sur une surface stable.** Tenir la pièce à la main ou contre son corps offre une stabilité insuffisante qui pourrait vous en faire perdre le contrôle.
- **Porter des lunettes de protection ou toute autre protection oculaire.** Le martelage et le perçage peuvent faire voltiger des éclats. Ces particules volantes pourraient occasionner des dommages oculaires permanents.
- **Maintenir les poignées propres et sèches, exempts d'huile ou de graisse.** Cela permettra un meilleur contrôle de l'outil.
- **Prendre des précautions à proximité des événements, car ils cachent des pièces mobiles.** Vêtements amples, bijoux ou cheveux longs risquent de rester coincés dans ces pièces mobiles.
- **Pour la sécurité de l'utilisateur, utiliser une rallonge de calibre adéquat (AWG, American Wire Gauge [calibrage**

américain normalisé des fils électriques]). Plus le calibre est petit, et plus sa capacité est grande. Un calibre 16, par exemple, a une capacité supérieure à un calibre 18. L'usage d'une rallonge de calibre insuffisant causera une chute de tension qui entraînera perte de puissance et surchauffe. Si plus d'une rallonge est utilisée pour obtenir une certaine longueur, s'assurer que chaque rallonge présente au moins le calibre de fil minimum. Le tableau ci-dessous illustre les calibres à utiliser selon la longueur de rallonge et l'intensité nominale indiquée sur la plaque signalétique. En cas de doute, utiliser le calibre suivant. Plus le calibre est petit, plus la rallonge peut supporter de courant.

Calibres minimaux des rallonges						
Intensité (en ampères)		volts	Longueur totale de cordon en mètres (pieds)			
		120 V	7,6 (25)	15,2 (50)	30,5 (100)	45,7 (150)
		240 V	15,2 (50)	30,5 (100)	61,0 (200)	91,4 (300)
Supérieur à	Inférieur à	AWG				
0	6		18	16	16	14
6	10		18	16	14	12
10	12		16	16	14	12
12	16		14	12	Non recommandé	

⚠AVERTISSEMENT : porter **SYSTEMATIQUEMENT** des lunettes de protection. Les lunettes courantes NE sont PAS des lunettes de protection. Utiliser aussi un masque antipoussières si la découpe doit en produire beaucoup. **PORTER SYSTÉMATIQUEMENT UN ÉQUIPEMENT DE SÉCURITÉ HOMOLOGUÉ :**

- Protection oculaire ANSI Z87.1 (CAN/CSA Z94.3) ;
- Protection auditive ANSI S12.6 (S3.19) ;
- Protection des voies respiratoires NIOSH/OSHA/MSHA.

⚠AVERTISSEMENT : les scies, meules, ponceuses, perceuses ou autres outils de construction peuvent produire des poussières contenant des produits chimiques reconnus par l'État californien pour causer cancers, malformations congénitales ou être nocifs au système reproducteur. Parmi ces produits chimiques, on retrouve :

- Le plomb dans les peintures à base de plomb ;
- La silice cristallisée dans les briques et le ciment, ou autres produits de maçonnerie ; et
- L'arsenic et le chrome dans le bois ayant subi un traitement chimique.

Le risque associé à de telles expositions varie selon la fréquence à laquelle on effectue ces travaux. Pour réduire toute exposition à ces produits : travailler dans un endroit bien aéré, en utilisant du matériel de sécurité homologué, tel un masque antipoussières spécialement conçu pour filtrer les particules microscopiques.

• **Limiter toute exposition prolongée avec les poussières provenant du ponçage, sciage, meulage, perçage ou toute autre activité de construction. Porter des vêtements de protection et nettoyer à l'eau savonneuse les parties du corps exposées.** Le fait de laisser la poussière pénétrer dans la bouche, les yeux ou la peau peut favoriser l'absorption de produits chimiques dangereux.

⚠AVERTISSEMENT : cet outil peut produire et/ou répandre de la poussière susceptible de causer des dommages sérieux et permanents au système respiratoire. Utiliser systématiquement un appareil de protection des voies respiratoires homologué par le NIOSH ou l'OSHA. Diriger les particules dans le sens opposé au visage et au corps.

⚠AVERTISSEMENT : pendant l'utilisation, porter systématiquement une protection auditive individuelle adéquate homologuée ANSI S12.6 (S3.19). Sous certaines conditions et suivant la durée d'utilisation, le bruit émanant de ce produit pourrait contribuer à une perte de l'acuité auditive.

- L'étiquette apposée sur votre outil peut inclure les symboles suivants. Les symboles et leur définition sont indiqués ci-après :

V..... volts	A..... ampères
Hz..... hertz	W..... watts
min minutes	~ ou AC..... courant alternatif
==== ou DC... courant continu	⎓ ou AC/DC... courant alternatif
Ⓜ..... classe I fabrication (mis à la terre)	⎓ ou AC/DC... courant alternatif ou continu
Ⓜ..... classe II fabrication (double isolation)	n ₀ vitesse à vide nominale
.../min par minute	⊕..... borne de terre
IPM..... impacts par minute	⚠..... symbole d'avertissement
BPM..... battements par minute	r/min..... tours par minute
sfpm pieds linéaires par minute (plpm)	SPM (FPM)..... fréquence par minute

**CONSERVER CES CONSIGNES
POUR UTILISATION ULTÉRIEURE**

Moteur

S'assurer que le bloc d'alimentation est compatible avec l'inscription de la plaque signalétique. Une diminution de tension de plus de 10 % provoquera une perte de puissance et une surchauffe. Les outils DEWALT sont testés en usine ; si cet outil ne fonctionne pas, vérifier l'alimentation électrique.

DESCRIPTION (Fig. 1, 5)

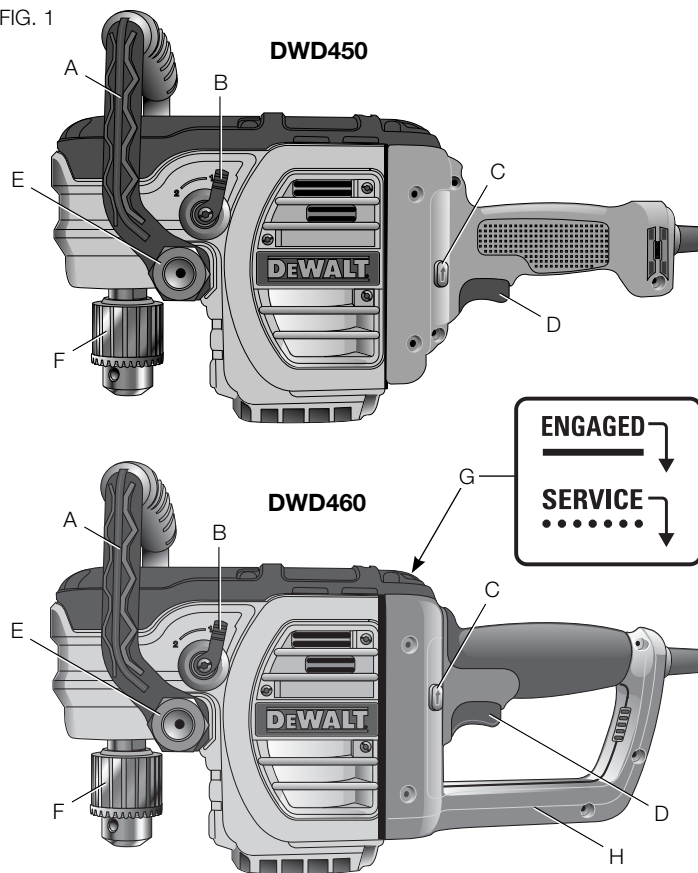
⚠AVERTISSEMENT : Ne jamais modifier l'outil électrique ni aucun de ses composants. Il y a risques de dommage corporel ou matériel.

- | | |
|--------------------------------|---|
| A. Poignée étrier | F. Mandrin à clé de 13 mm (1/2 po.) |
| B. Sélecteur de vitesse | G. Voyant E-Clutch ^{MD} (DWD460) |
| C. Bouton marche avant/arrière | H. Protège-doigts (DWD460) |
| D. Gâchette | I. Poignée latérale (deux positions) |
| E. Boulon de poignée étrier | |

USAGE PRÉVU

Les perceuses industrielles pour charpente DWD450 et DWD460 ont été conçues pour le perçage professionnel sur différents lieux de travail (ex. : chantiers de construction). **NE PAS** utiliser l'outil en milieu ambiant humide ou en présence de liquides ou de gaz inflammables. Ces perceuses industrielles pour charpente sont des outils de professionnels. **NE PAS** laisser l'outil à la portée des enfants. Une supervision est nécessaire auprès de tout utilisateur non expérimenté.

FIG. 1



ASSEMBLAGE ET AJUSTEMENTS

⚠ AVERTISSEMENT : pour réduire le risque de blessures, éteindre l'appareil et le débrancher avant d'installer ou de retirer tout accessoire et avant d'effectuer des réglages ou des réparations. Un démarrage accidentel peut provoquer des blessures.

Couple

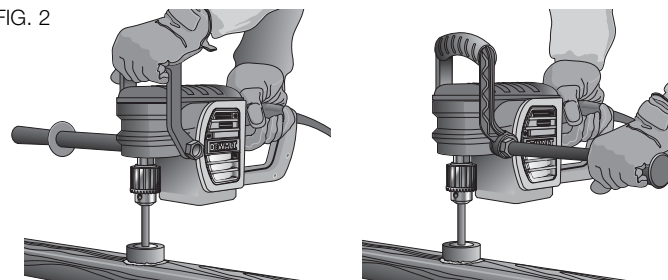
⚠ AVERTISSEMENT : Cette perceuse dispose d'un couple élevé. Pour réduire tout risque de dommages corporels graves, maintenir **SYSTÉMATIQUEMENT** l'outil fermement, à deux mains, dans la position adéquate, comme illustré.

Le couple est l'action de torsion produite par la perceuse lors de la rotation de la mèche. Alors que la mèche rencontre de la résistance dans le matériau percé, le moteur répond en ajustant le couple de sortie de façon à remplir les besoins suivant la capacité maximale du moteur et de l'engrenage.

PRÉHENSION DE L'OUTIL (FIG. 2, 3)

⚠ AVERTISSEMENT : Pour réduire tout risque de dommages corporels graves, maintenir **SYSTÉMATIQUEMENT** l'outil en respectant la position des mains illustrée en figure 2.

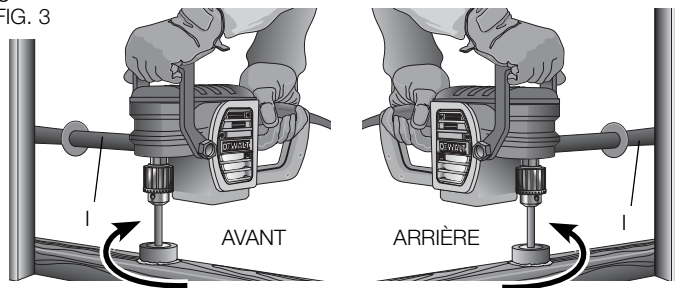
FIG. 2



⚠AVERTISSEMENT : Pour réduire tout risque de dommages corporels graves, saisir et maintenir **SYSTÉMATIQUEMENT** l'outil fermement pour anticiper toute réaction soudaine.

En respectant la position des mains, saisir l'outil comme illustré en figure 3.

FIG. 3



LIMITEUR DE COUPLE À FRICTION

Les DWD450 et DWD460 sont toutes les deux équipées d'un limiteur de couple à friction. Ce limiteur est activé lorsque la vitesse réduite (1) est choisie. Lorsque la mèche ou le couteau mord dans la pièce à travailler, le limiteur glisse et un cliquetis se fait entendre. Relâchez alors la gâchette. La fréquence de la récurrence de ce processus réduira la durée de vie du dispositif.

E-CLUTCH^{MD} (DWD460)

Le modèle DWD460 est équipé d'un embrayage anti-blocage E-Clutch^{MD}. Ce dispositif détecte le niveau d'activité de l'outil et ramène le couple du moteur à un taux raisonnable si nécessaire. Le voyant E-Clutch^{MD} (G) s'allumera pour indiquer le statut.

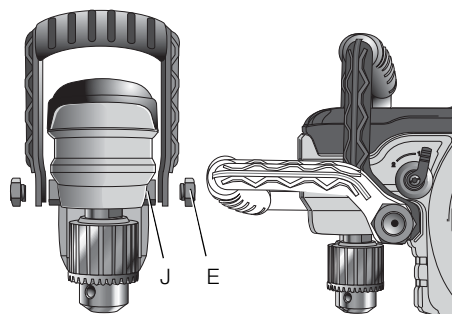
VOYANT	DIAGNOSTIC	SOLUTION
ÉTEINT	L'outil fonctionne normalement	Suivre les directives et consignes pendant l'utilisation de l'outil.
CONTINU	L'embrayage E-Clutch ^{MD} a été activé (ENGAGED)	En s'assurant que l'outil est correctement maintenu, relâcher la gâchette. L'outil fonctionnera normalement lorsqu'on réappuiera sur la gâchette et le voyant s'éteindra.
CLIGNOTANT	Dysfonctionnement de l'embrayage E-Clutch ^{MD} (SERVICE)	Amener l'outil dans un centre de réparation agréé DEWALT.

REMARQUE : Si l'alimentation est insuffisante pour le fonctionnement normal de la perceuse, et que le DEL ne clignote pas, amener l'outil dans un centre de réparation agréé DEWALT.

Poignée étrier (Fig. 4)

L'outil est équipé d'une poignée étrier supplémentaire pour son transport ou son utilisation. Installez la poignée étrier en choisissant l'une des positions illustrées en figure 4. Pour changer la position de la poignée étrier, retirez complètement les deux boulons de poignée étrier (E) qui la fixe au boîtier. Faites basculer la poignée et réinstallez-la.

FIG. 4

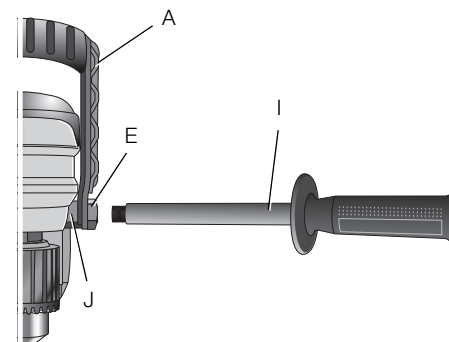


Poignée latérale (Fig. 5)

⚠ AVERTISSEMENT : Pour réduire tout risque de dommages corporels, utiliser systématiquement l'outil avec sa poignée latérale installée correctement et solidement. Tout manquement à cette directive pourrait faire que la poignée latérale glisse pendant l'utilisation de l'outil et entraîner la perte du contrôle de celui-ci. Maintenir l'outil fermement à deux mains pour un contrôle maximum.

La poignée latérale à deux positions (I) peut être indifféremment installée sur l'un ou l'autre des côtés de l'outil. Vissez la poignée latérale (I) dans le boulon de poignée (E) ou directement dans les trous filetés (J) sur le côté choisi. Serrez ensuite fermement manuellement.

FIG. 5



Sélecteur de vitesse (Fig. 1)

AVIS : Risques de dommage matériel. Ne pas tourner le sélecteur de vitesse alors que la perceuse fonctionne ou n'est pas complètement arrêtée, des dommages matériels pourraient en résulter.

Ajustez le sélecteur de vitesse (B) à la vitesse désirée :

- 1 = vitesse réduite (330 r/min)
- 2 = vitesse élevée (1300 r/min)

REMARQUE : Lorsque l'outil est remis en marche après un changement de vitesse, un clic pourra se faire entendre. C'est normal et ne représente nullement une défaillance du produit.

Gâchette (Fig. 1)

Appuyer sur la gâchette (D), met l'outil en marche. Relâcher la gâchette, arrête l'outil.

VITESSE VARIABLE

La gâchette à vitesse variable permet de contrôler la vitesse. Plus on appuie à fond sur la gâchette, plus la vitesse de la perceuse est élevée.

REMARQUE : Utiliser une vitesse réduite pour commencer un trou sans pointeau, pour percer le métal, les plastiques ou la céramique. Les vitesses élevées sont recommandées pour percer le bois et les panneaux d'aggloméré.

Bouton marche avant/arrière (Fig. 1)

Le bouton marche avant/arrière (C) détermine la direction de l'outil. Il se trouve devant la gâchette.

Pour choisir la marche avant, relâchez la gâchette (D) puis appuyez sur le bouton marche avant/arrière sur le côté droit de l'outil.

Pour choisir la marche arrière, appuyez sur le bouton marche avant/arrière sur le côté gauche de l'outil. Avant de changer la position du bouton, assurez-vous que la gâchette est bien relâchée.

REMARQUE : Lorsque l'outil est remis en marche après un changement de direction, un clic pourra se faire entendre. C'est normal et ne représente nullement une défaillance du produit.

UTILISATION

⚠AVERTISSEMENT : *pour réduire le risque de blessures, éteindre l'appareil et le débrancher avant d'installer ou de retirer tout accessoire et avant d'effectuer des réglages ou des réparations. Un démarrage accidentel peut provoquer des blessures.*

La mèche tourne vers la droite lorsque l'outil est en marche avant, et vers la gauche lorsque l'outil est en marche arrière. Si la mèche se coince, l'outil ralentira jusqu'à une vitesse raisonnable. Disposez vos mains dans la position adéquate, agrippez la poignée latérale (I) ou appuyez le corps de l'outil contre un chevron pour plus de support (fig. 3).

Perçage

⚠AVERTISSEMENT : *Pour réduire tout risque de dommages corporels, s'assurer **SYSTÉMATIQUEMENT** que la pièce est ancrée ou arrimée solidement. Pour percer des matériaux fins, utiliser un morceau de bois « de renfort » pour éviter de les endommager.*

1. Utilisez seulement des mèches bien affûtées. Pour le BOIS, utilisez : mèches hélicoïdales, forets à trois pointes, mèches torsadées ou emporte-pièce. Pour le MÉTAL, utilisez : mèches hélicoïdales en acier ou emporte-pièce.
2. Appliquez systématiquement une certaine pression sur la mèche tout en restant dans l'alignement. Utilisez assez de pression pour que la perceuse avance, mais sans pousser trop fort pour éviter de bloquer le moteur ou dévier la mèche.
3. Maintenez fermement l'outil à deux mains pour contrôler l'action de torsion de la perceuse.
4. **SI LA PERCEUSE SE BLOQUE**, c'est en général parce qu'elle est surchargée ou utilisée incorrectement. **RELÂCHEZ ALORS LA GÂCHETTE IMMÉDIATEMENT**, retirez la mèche de la pièce puis déterminez quelle est la cause du blocage. **N'APPUYEZ PAS RÉPÉTITIVEMENT SUR LA GÂCHETTE POUR TENTER DE REDÉMARRER UNE PERCEUSE BLOQUÉE. CELA POURRAIT ENDOMMAGER LA PERCEUSE.**
5. Pour minimiser tout blocage ou rupture du matériau, réduisez la pression sur la perceuse pour faciliter le passage de la mèche dans la partie finale du trou.
6. Gardez le moteur en marche alors que vous retirez la mèche du trou pour éviter qu'elle y reste coincée.
7. Les pointeaux sont inutiles lorsqu'on utilise une perceuse à vitesse variable. Utilisez une vitesse réduite pour commencer un trou, puis accélérez en appuyant plus fort sur la gâchette lorsque le trou est assez profond pour que la mèche ne ressorte pas.

PERÇAGE DU MÉTAL

Commencez à percer à une vitesse réduite puis passez à pleine puissance tout en maintenant une pression ferme sur l'outil. Un jet fluide et régulier de débris métalliques sera indicateur d'une vitesse adéquate. Utilisez un lubrifiant de coupe pour percer les métaux, à l'exception de la fonte et du laiton qui doivent être percés à sec.

REMARQUE : Les trous larges [de 8 mm (5/16 po.) à 13 mm (1/2 po.)] dans l'acier peuvent être facilités si l'on perce d'abord un trou pilote [de 4 mm (5/32 po.) à 5 mm (3/16 po.)],

PERÇAGE DU BOIS

Commencez à percer à une vitesse réduite puis passez à pleine puissance tout en maintenant une pression ferme sur l'outil. Les trous dans le bois peuvent être effectués avec les mêmes mèches hélicoïdales que pour le métal. Ces mèches peuvent surchauffer si on ne les retire pas fréquemment du trou pour éliminer les débris. Tout matériau risquant d'éclater doit être renforcé par un morceau de bois.

Sangle de la clé de mandrin (Fig. 6, 7, 8)

1. Insérez l'un des bouts de la sangle à deux trous dans sa fente à l'autre bout (fig. 6).
2. Glissez le cordon électrique dans la boucle puis resserrer fermement la boucle autour du cordon (fig. 7).
3. Insérez les extrémités de la poignée de la clé de mandrin (le bout long en premier) au travers des deux trous en bout de sangle (fig. 8).

FIG. 6

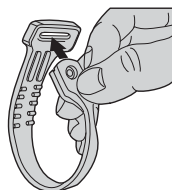


FIG. 7

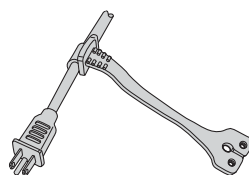


FIG. 8



Mandrin à clé

Ouvrez les mâchoires du mandrin en faisant tourner la bague manuellement puis insérez-y l'arbre de la mèche sur une longueur d'environ 19 mm (3/4 po.). Resserez le collier du mandrin manuellement. Insérez la clé de mandrin dans chacun des trois trous puis serrez vers la droite. Il est important de serrer le mandrin à l'aide des trois trous. Pour relâcher la mèche, faites tourner la clé du mandrin vers la gauche dans un seul trou, puis desserrez le mandrin manuellement.

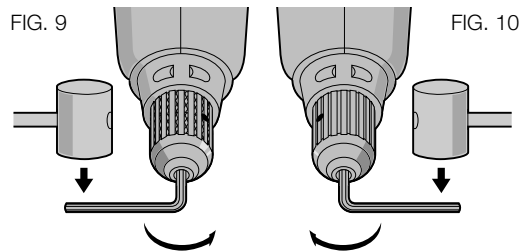
REMARQUE : Lorsqu'on utilise une queue de forêt hexagonale ou une mèche trilatérale, s'assurer de bien aligner les côtés plats de la mèche avec les mâchoires du mandrin pour s'assurer que la mèche est bien engagée dans celles-ci.

RETRAIT DU MANDRIN À CLÉ (FIG. 9)

Retirez la vis de mandrin de gauche à l'aide de la clé mâle pour empreinte hexalobée T25, en tournant vers la droite pour la desserrer. Resserez le mandrin autour de l'extrémité la plus courte d'une clé hexagonale (non fournie) de 10 mm (3/8 po.). Une fois l'outil fermement arrimé, utilisez un marteau souple pour donner un coup sec sur la clé hexagonale vers la gauche (par rapport à l'avant de l'outil). Cela desserrera le mandrin et permettra de le retirer manuellement.

INSTALLATION DU MANDRIN À CLÉ (FIG. 10)

Vissez à fond le mandrin manuellement. Insérez l'extrémité courte d'une clé hexagonale (non fournie) de 10 mm (3/8 po.) et, à l'aide d'un marteau souple, donnez un coup sec sur la clé vers la droite. Réinstallez la vis de gauche du mandrin.



MAINTENANCE

⚠AVERTISSEMENT : pour réduire le risque de blessures, éteindre l'appareil et le débrancher avant d'installer ou de retirer tout accessoire et avant d'effectuer des réglages ou des réparations. Un démarrage accidentel peut provoquer des blessures.

Balais de moteur

DEWALT utilise un système de balais qui immobilisent automatiquement la perceuse lorsqu'ils sont usés. Cela protège le moteur de tout dommage sérieux. Des modules de balai sont disponibles dans les centres de service agréés DEWALT. Utilisez systématiquement des pièces de rechange d'origine.

Lubrification

Votre outil a été parfaitement lubrifié avant son départ d'usine. Entre deux à six mois, selon la fréquence d'utilisation, amenez ou envoyez votre outil dans un centre de réparation DEWALT, ou chez tout autre organisme de réparation qualifié pour un entretien complet, y compris inspection et lubrification.

Les outils utilisés constamment pour des travaux industriels ou intensifs, ou qui sont exposés à la chaleur peuvent nécessiter d'être lubrifiés plus souvent. Les outils inutilisés pendant des périodes prolongées doivent être relubrifiés avant toute réutilisation.

Nettoyage

⚠AVERTISSEMENT : enlever les saletés et la poussière hors des événements au moyen d'air comprimé propre et sec, au moins une fois par semaine. Pour minimiser le risque de blessure aux yeux, toujours porter une protection oculaire conforme à la norme ANSI Z87.1 lors du nettoyage.

⚠AVERTISSEMENT : ne jamais utiliser de solvants ni d'autres produits chimiques puissants pour nettoyer les pièces non métalliques de l'outil. Ces produits chimiques peuvent affaiblir les matériaux de plastique utilisés dans ces pièces. Utiliser un chiffon humecté uniquement d'eau et de savon doux. Ne jamais laisser de liquide pénétrer dans l'outil et n'immerger aucune partie de l'outil dans un liquide.

Accessoires

⚠AVERTISSEMENT : puisque les accessoires autres que ceux offerts par DEWALT n'ont pas été testés avec ce produit, leur utilisation pourrait s'avérer dangereuse. Pour réduire le risque de blessures, utiliser exclusivement les accessoires DEWALT recommandés avec le présent produit.

Les accessoires recommandés pour cet outil sont vendus séparément au centre de service de votre région. Pour obtenir de l'aide concernant l'achat d'un accessoire, communiquer avec DEWALT Industrial Tool Co., 701 East Joppa Road, Baltimore, MD 21286 aux États-Unis; composer le 1 800 433-9258 (1 800 4-DEWALT) ou visiter notre site Web : www.dewalt.com.

⚠ATTENTION : pour réduire tout risque de dommage corporel, utiliser les accessoires suivants seulement dans les limites de capacité illustrées par le tableau ci-dessous.

CAPACITÉS MAXIMALES RECOMMANDÉES

	VITESSE RÉDUITE	VITESSE ÉLEVÉE
RÉGIME (r/min)	330	1300
BOIS, ALÉSAGE PLAT	–	38 mm (1-1/2 po.)
EMPORTE-PIÈCE	152,4 mm (6 po.)	
MÈCHE À SIMPLE SPIRALE	–	38 mm (1-1/2 po.)
MÈCHE À ALIMENTATION AUTOMATIQUE	102 mm (4-5/8 po.)	65 mm (2-9/16 po.)
EMBRAYAGE ACTIONNÉ	OUI	NON
VOYANT E-CLUTCH ^{MD} (DWD460)	OUI	OUI

REMARQUE : Pour des trous dans le métal supérieurs à 13 mm (1/2 po.), utiliser un emporte-pièce.

Réparations

Pour assurer la SÉCURITÉ et la FIABILITÉ du produit, les réparations, l'entretien et les réglages doivent être réalisés (cela comprend l'inspection et le remplacement du balaï) par un centre de réparation en usine DEWALT, un centre de réparation agréé DEWALT ou par d'autres techniciens qualifiés. Toujours utiliser des pièces de rechange identiques.

Registre en ligne

Merci pour votre achat. Enregistrez dès maintenant votre produit:

- **RÉPARATIONS SOUS GARANTIE:** cette carte remplie vous permettra de vous prévaloir du service de réparations sous garantie de façon plus efficace dans le cas d'un problème avec le produit.
- **CONFIRMATION DE PROPRIÉTÉ:** en cas de perte provoquée par un incendie, une inondation ou un vol, cette preuve de propriété vous servira de preuve auprès de votre compagnie d'assurances.
- **SÉCURITÉ:** l'enregistrement de votre produit nous permettra de communiquer avec vous dans l'éventualité peu probable de l'envoi d'un avis de sécurité régi par la loi fédérale américaine de la protection des consommateurs.

Registre en ligne à www.dewalt.com/register.

Garantie limitée de trois ans

DEWALT réparera, sans frais, tout produit défectueux causé par un défaut de matériel ou de fabrication pour une période de trois ans à compter de la date d'achat. La présente garantie ne couvre pas les pièces dont la défectuosité a été causée par une usure normale ou l'usage abusif de l'outil. Pour obtenir de plus amples renseignements sur les pièces ou les réparations couvertes par la présente garantie, visiter le site www.dewalt.com ou composer le 1 800 433-9258 (1 800 4-DEWALT). Cette garantie ne s'applique pas aux accessoires et ne vise pas les dommages causés par des réparations effectuées par un tiers. Cette garantie confère des droits légaux particuliers à l'acheteur, mais celui-ci pourrait aussi bénéficier d'autres droits variant d'un état ou d'une province à l'autre.

En plus de la présente garantie, les outils DEWALT sont couverts par notre :

CONTRAT D'ENTRETIEN GRATUIT D'UN AN

DeWALT entretiendra l'outil et remplacera les pièces usées au cours d'une utilisation normale et ce, gratuitement, pendant une période d'un an à compter de la date d'achat.

GARANTIE DE REMBOURSEMENT DE 90 JOURS

Si l'acheteur n'est pas entièrement satisfait, pour quelque raison que ce soit, du rendement de l'outil électrique, du laser ou de la cloueuse DeWALT, celui-ci peut le retourner, accompagné d'un reçu, dans les 90 jours à compter de la date d'achat pour obtenir un remboursement intégral, sans aucun problème.

AMÉRIQUE LATINE : cette garantie ne s'applique aux produits vendus en Amérique latine. Pour ceux-ci, veuillez consulter les informations relatives à la garantie spécifique présente dans l'emballage, appeler l'entreprise locale ou consulter le site Web pour les informations relatives à cette garantie.

REPLACEMENT GRATUIT DES ÉTIQUETTES D'AVERTISSEMENT : si les étiquettes d'avertissement deviennent illisibles ou sont manquantes, composer le 1 800 433-9258 (1 800 4-DEWALT) pour en obtenir le remplacement gratuit.



Definiciones: Normas de seguridad

Las siguientes definiciones describen el nivel de gravedad de cada palabra de señal. Lea el manual y preste atención a estos símbolos.

▲ PELIGRO: indica una situación de peligro inminente que, si no se evita, provocará **la muerte o lesiones graves**.

▲ ADVERTENCIA: indica una situación de peligro potencial que, si no se evita, **podría provocar la muerte o lesiones graves**.

▲ ATENCIÓN: indica una situación de peligro potencial que, si no se evita, **posiblemente provocaría lesiones leves o moderadas**.

AVISO: se refiere a una práctica **no relacionada a lesiones corporales** que de no evitarse **puede resultar en daños a la propiedad**.

SI TIENE ALGUNA DUDA O ALGÚN COMENTARIO SOBRE ÉSTA U OTRA HERRAMIENTA DEWALT, LLÁMENOS AL NÚMERO GRATUITO: **1-800-4-DEWALT (1-800-433-9258)**.



ADVERTENCIA: Para reducir el riesgo de lesiones, lea el manual de instrucciones.

Advertencias generales de seguridad para herramientas eléctricas



¡ADVERTENCIA! Lea todas las advertencias de seguridad e instrucciones. El incumplimiento de las advertencias e instrucciones puede provocar descargas eléctricas, incendios o lesiones graves.

CONSERVE TODAS LAS ADVERTENCIAS E INSTRUCCIONES PARA FUTURAS CONSULTAS

El término "herramienta eléctrica" incluido en las advertencias hace referencia a las herramientas eléctricas operadas con corriente (con cable eléctrico) o a las herramientas eléctricas operadas con baterías (inalámbricas).

1) SEGURIDAD EN EL ÁREA DE TRABAJO

- a) **Mantenga el área de trabajo limpia y bien iluminada.** Las áreas abarrotadas y oscuras propician accidentes.
- b) **No opere las herramientas eléctricas en atmósferas explosivas, como ambientes donde haya polvo, gases o líquidos inflamables.** Las herramientas eléctricas originan chispas que pueden encender el polvo o los vapores.
- c) **Mantenga alejados a los niños y a los espectadores de la herramienta eléctrica en funcionamiento.** Las distracciones pueden provocar la pérdida de control.

2) SEGURIDAD ELÉCTRICA

- a) **Los enchufes de la herramienta eléctrica deben adaptarse al tomacorriente. Nunca modifique el enchufe de ninguna manera. No utilice ningún enchufe adaptador con herramientas eléctricas con conexión a tierra.** Los enchufes no modificados y que se adaptan a los tomacorrientes reducirán el riesgo de descarga eléctrica.
- b) **Evite el contacto corporal con superficies con descargas a tierra como, por ejemplo, tuberías, radiadores, cocinas eléctricas y refrigeradores.** Existe mayor riesgo de descarga eléctrica si su cuerpo está puesto a tierra.

Español

- c) **No exponga las herramientas eléctricas a la lluvia o a condiciones de humedad.** Si entra agua a una herramienta eléctrica, aumentará el riesgo de descarga eléctrica.
- d) **No maltrate el cable. Nunca utilice el cable para transportar, tirar o desenchufar la herramienta eléctrica. Mantenga el cable alejado del calor, el aceite, los bordes filosos y las piezas móviles.** Los cables dañados o enredados aumentan el riesgo de descarga eléctrica.
- e) **Al operar una herramienta eléctrica en el exterior, utilice un cable prolongador adecuado para tal uso.** Utilice un cable adecuado para uso en exteriores a fin de reducir el riesgo de descarga eléctrica.
- f) **Si el uso de una herramienta eléctrica en un lugar húmedo es imposible de evitar, utilice un suministro protegido con un interruptor de circuito por falla a tierra (GFCI).** El uso de un GFCI reduce el riesgo de descargas eléctricas.

3) SEGURIDAD PERSONAL

- a) **Permanezca alerta, controle lo que está haciendo y utilice el sentido común cuando emplee una herramienta eléctrica. No utilice una herramienta eléctrica si está cansado o bajo el efecto de drogas, alcohol o medicamentos.** Un momento de descuido mientras se opera una herramienta eléctrica puede provocar lesiones personales graves.
- b) **Utilice equipos de protección personal. Siempre utilice protección para los ojos.** En las condiciones adecuadas, el uso de equipos de protección, como máscaras para polvo, calzado de seguridad antideslizante, cascos o protección auditiva, reducirá las lesiones personales.
- c) **Evite el encendido por accidente. Asegúrese de que el interruptor esté en la posición de apagado antes de**

conectarlo a la fuente de energía o paquete de baterías, o antes de levantar o transportar la herramienta.

Transportar herramientas eléctricas con el dedo apoyado en el interruptor o enchufar herramientas eléctricas con el interruptor en la posición de encendido puede propiciar accidentes.

- d) **Retire la clavija de ajuste o la llave de tuercas antes de encender la herramienta eléctrica.** Una llave de tuercas o una clavija de ajuste que quede conectada a una pieza giratoria de la herramienta eléctrica puede provocar lesiones personales.
- e) **No se estire. Conserve el equilibrio y párese adecuadamente en todo momento.** Esto permite un mejor control de la herramienta eléctrica en situaciones inesperadas.
- f) **Use la vestimenta adecuada. No use ropas holgadas ni joyas. Mantenga el cabello, la ropa y los guantes alejados de las piezas en movimiento.** Las ropas holgadas, las joyas o el cabello largo pueden quedar atrapados en las piezas en movimiento.
- g) **Si se suministran dispositivos para la conexión de accesorios con fines de recolección y extracción de polvo, asegúrese de que estén conectados y que se utilicen correctamente.** El uso de dispositivos de recolección de polvo puede reducir los peligros relacionados con el polvo.

4) USO Y MANTENIMIENTO DE LA HERRAMIENTA ELÉCTRICA

- a) **No fuerce la herramienta eléctrica. Utilice la herramienta eléctrica correcta para el trabajo que realizará.** Si se la utiliza a la velocidad para la que fue diseñada, la herramienta eléctrica correcta permite trabajar mejor y de manera más segura.
- b) **No utilice la herramienta eléctrica si no puede encenderla o apagarla con el interruptor.** Toda herramienta eléctrica

que no pueda ser controlada mediante el interruptor es peligrosa y debe repararse.

- c) **Desconecte el enchufe de la fuente de energía o el paquete de baterías de la herramienta eléctrica antes de realizar ajustes, cambiar accesorios o almacenar la herramienta eléctrica.** Estas medidas de seguridad preventivas reducen el riesgo de encender la herramienta eléctrica en forma accidental.
- d) **Guarde la herramienta eléctrica que no esté en uso fuera del alcance de los niños y no permita que otras personas no familiarizadas con ella o con estas instrucciones operen la herramienta.** Las herramientas eléctricas son peligrosas si son operadas por usuarios no capacitados.
- e) **Realice el mantenimiento de las herramientas eléctricas. Revise que no haya piezas en movimiento mal alineadas o trabadas, piezas rotas o cualquier otra situación que pueda afectar el funcionamiento de la herramienta eléctrica. Si encuentra daños, haga reparar la herramienta eléctrica antes de utilizarla.** Se producen muchos accidentes a causa de las herramientas eléctricas que carecen de un mantenimiento adecuado.
- f) **Mantenga las herramientas de corte afiladas y limpias.** Las herramientas de corte con mantenimiento adecuado y con los bordes de corte afilados son menos propensas a trabarse y son más fáciles de controlar.
- g) **Utilice la herramienta eléctrica, los accesorios y las brocas de la herramienta, etc. de acuerdo con estas instrucciones y teniendo en cuenta las condiciones de trabajo y el trabajo que debe realizarse.** El uso de la herramienta eléctrica para operaciones diferentes de aquéllas para las que fue diseñada podría originar una situación peligrosa.

5) MANTENIMIENTO

- a) **Solicite a una persona calificada en reparaciones que realice el mantenimiento de su herramienta eléctrica y que sólo utilice piezas de repuesto idénticas.** Esto garantizará la seguridad de la herramienta eléctrica.

Instrucciones Específicas de Seguridad Adicionales

- **Utilice el (los) mango(s) auxiliares, si alguno viene con la herramienta.** Perder el control de la herramienta podría causar lesiones corporales.
- **Sujete la herramienta eléctrica de sus superficies aislantes cuando lleve a cabo una operación en que el accesorio de corte pudiera entrar en contacto con un hilo eléctrico oculto o con su propio cable.** Los accesorios de corte que entren en contacto con un hilo eléctrico activo podrían hacer que las partes metálicas de la herramienta eléctrica también se activen con electricidad y que el operador sufra una descarga eléctrica.
- **Use protección auditiva cuando utilice taladros de impacto.** La exposición al ruido puede causar pérdida de la audición.
- **Use abrazaderas u otra manera práctica de fijar y sujetar la pieza de trabajo a una plataforma estable.** No sujete su trabajo en forma manual o contra su cuerpo pues no quedará estable y podría perder el control.
- **Use lentes de seguridad u otra protección ocular.** Las operaciones de martilleo y taladro producen astillas en vuelo. Las partículas en vuelo pueden provocar daño permanente a los ojos.
- **Mantenga las empuñaduras secas, limpias, libres de aceite y grasa.** Esto permitirá un mejor control de la herramienta.
- **Los orificios de ventilación suelen cubrir piezas en movimiento, por lo que también se deben evitar.** Las piezas

en movimiento pueden atrapar prendas de vestir sueltas, joyas o el cabello largo.

- **El cable de extensión deben ser de un calibre apropiado para su seguridad.** Mientras menor sea el calibre del hilo, mayor la capacidad del cable. Es decir, un hilo calibre 16 tiene mayor capacidad que uno de 18. Un cable de un calibre insuficiente causará una caída en la tensión de la línea dando por resultado una pérdida de energía y sobrecalentamiento. Cuando se utilice más de un alargador para completar el largo total, asegúrese que los hilos de cada alargador tengan el calibre mínimo. La tabla siguiente muestra el tamaño correcto a utilizar, dependiendo de la longitud del cable y del amperaje nominal de la placa de identificación. Si tiene dudas sobre cuál calibre usar, use un calibre mayor. Cuanto más pequeño sea el número del calibre, más resistente será el cable.

Calibre mínimo para cables de alimentación						
Amperaje		Voltios	Largo total del cordón en metros (pies)			
		120 V	7,6 (25)	15,2 (50)	30,5 (100)	45,7 (150)
		240 V	15,2 (50)	30,5 (100)	61,0 (200)	91,4 (300)
Más de	No más de	AWG				
0	6		18	16	16	14
6	10		18	16	14	12
10	12		16	16	14	12
12	16		14	12	No recomendado	

⚠ **ADVERTENCIA:** Use **SIEMPRE** lentes de seguridad. Los anteojos de diario **NO SON** lentes de seguridad. Utilice además

una cubrebocas o mascarilla antipolvo si la operación de corte genera demasiado polvo. **SIEMPRE LLEVE EQUIPO DE SEGURIDAD CERTIFICADO:**

- Protección ocular ANSI Z87.1 (CAN/CSA Z94.3),
- Protección auditiva ANSI S12.6 (S3.19),
- Protección respiratoria NIOSH/OSHA/MSHA.

⚠ **ADVERTENCIA:** Algunas partículas de polvo generadas al lijar, serrar, esmerilar y taladrar con herramientas eléctricas, así como al realizar otras actividades de construcción, contienen químicos que el Estado de California sabe que pueden producir cáncer, defectos congénitos u otras afecciones reproductivas. Ejemplos de estos químicos son:

- plomo de algunas pinturas en base a plomo,
- polvo de sílice proveniente de ladrillos y cemento y otros productos de albañilería, y
- arsénico y cromo provenientes de madera tratada químicamente.

Su riesgo de exposición a estos químicos varía, dependiendo de la frecuencia con la cual realiza usted este tipo de trabajo. Para reducir su exposición a estas sustancias químicas: trabaje en una zona bien ventilada y llevando equipos de seguridad aprobados, como mascarillas antipolvo especialmente diseñadas para filtrar partículas microscópicas.

- **Evite el contacto prolongado con polvo generado por el lijado, aserrado, pulido, taladrado y otras actividades de construcción. Vista ropas protectoras y lave las áreas de la piel expuestas con agua y jabón.** Si permite que el polvo se introduzca en la boca u ojos o quede sobre la piel, puede favorecer la absorción de productos químicos peligrosos.

⚠ **ADVERTENCIA:** La utilización de esta herramienta puede generar polvo o dispersarlo, lo que podría causar daños graves y permanentes al sistema respiratorio, así como otras lesiones.

Siempre use protección respiratoria aprobada por NIOSH (Instituto Nacional de Seguridad y Salud en el Trabajo) u OSHA (Administración de Seguridad y Salud en el Trabajo) apropiada para la exposición al polvo. Dirija las partículas en dirección contraria a la cara y el cuerpo.

⚠️ADVERTENCIA: Siempre lleve la debida protección auditiva personal en conformidad con ANSI S12.6 (S3.19) durante el uso de esta herramienta. Bajo algunas condiciones y duraciones de uso, el ruido producido por este producto puede contribuir a la pérdida auditiva.

- La etiqueta de su herramienta puede incluir los siguientes símbolos.

A continuación se indican los símbolos y sus definiciones:

V.....	voltios	A.....	amperios
Hz.....	hertz	W.....	vatios
min.....	minutos	~ o AC.....	corriente alterna
==== o DC....	corriente directa	⎓ o AC/DC...	corriente alterna o directa
⚠️.....	Construcción de Clase I (tierra)	n.....	velocidad nominal
☐.....	Construcción de Clase II (doble aislamiento)	n _o	velocidad sin carga
.../min.....	por minuto	⊕.....	terminal de conexión a tierra
IPM.....	impactos por minuto	⚠️.....	símbolo de advertencia de seguridad
sfpm.....	pies de superficie por minuto		
RPM.....	revoluciones por minuto		
BPM.....	golpes por minuto		
SPM.....	pasadas por minuto		

GUARDE ESTAS INSTRUCCIONES PARA FUTURAS CONSULTAS

Motor

Asegúrese de que la fuente de energía concuerde con lo que se indica en la placa. Un descenso en el voltaje de más del 10% producirá una pérdida de potencia y sobrecalentamiento. Todas las herramientas DEWALT son probadas en fábrica; si esta herramienta no funciona, verifique el suministro eléctrico.

COMPONENTES (Fig. 1, 5)

⚠️ADVERTENCIA: Jamás modifique la máquina herramienta o ninguna parte de la misma. Esto puede originar daño o lesión personal.

- | | |
|--------------------------------------|---|
| A. Mango lateral | F. Portabrocas con llave de 13 mm (1/2 pulg.) |
| B. Palanca de selección de velocidad | G. Luz indicadora del embrague E-Clutch™ (DWD460) |
| C. Botón de avance y reversa | H. Protector de nudillos (DWD460) |
| D. Conmutador tipo gatillo | I. Mango lateral (dos posiciones) |
| E. Tornillo del mango lateral | |

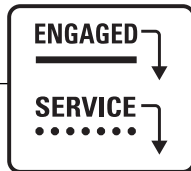
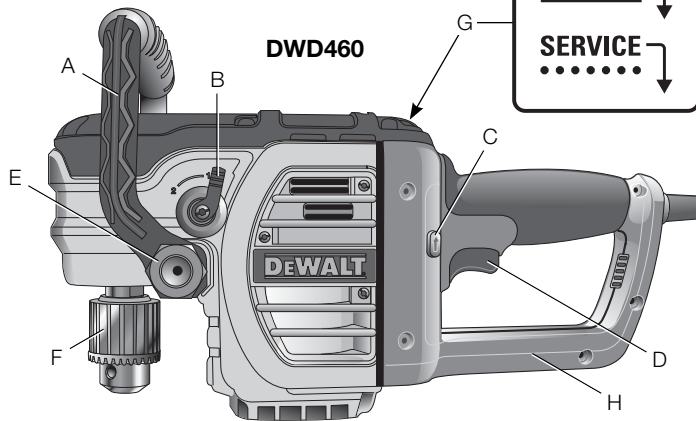
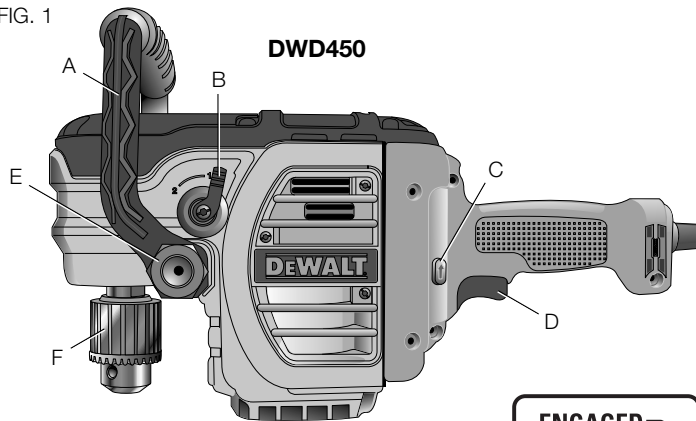
APLICACIÓN

Los pernos de trabajo pesado DWD450 y DWD460 y los taladros para vigas están diseñados para perforación profesional en varios sitios (p.ej., obras civiles). **NO USAR** en condiciones de humedad o en presencia de líquidos o gases inflamables.

Estos pernos de trabajo pesado y taladro para vigas son herramientas eléctricas profesionales. **NO PERMITA** que los niños entren en contacto con la herramienta. Se requiere de supervisión cuando operadoras no experimentados usen esta herramienta.

Español

FIG. 1



Español

MONTAJE Y AJUSTES

⚠ ADVERTENCIA: Para reducir el riesgo de lesiones personales graves, apague la herramienta y desconéctela de la fuente de alimentación antes de instalar y retirar accesorios, ajustar o cambiar configuraciones o realizar reparaciones. Un arranque accidental podría causar lesiones.

Torsor

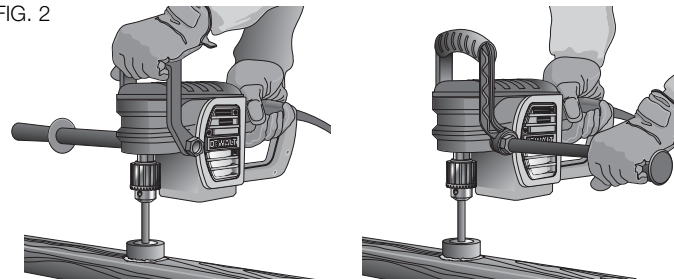
⚠ ADVERTENCIA: Este es una taladro de alto par torsor. Para reducir el riesgo de lesión personal grave, SIEMPRE sujete la herramienta firmemente con ambas manos en posición apropiada de operación tal y como se muestra.

El torsor es la acción de torcedura que produce el taladro en relación a la broca rotativa. Mientras que el taladro consigue resistencia al avance en el material que está siendo perforado, el motor responde ajustando el torsor de salida para suministrar la potencia requerida hasta el máximo de capacidad del motor y el sistema de engranajes.

SUJETANDO LA HERRAMIENTA (FIG. 2, 3)

⚠ ADVERTENCIA: Para reducir el riesgo de lesión grave, SIEMPRE use una posición apropiada de sus manos, tal y como se muestra en la Figura 2.

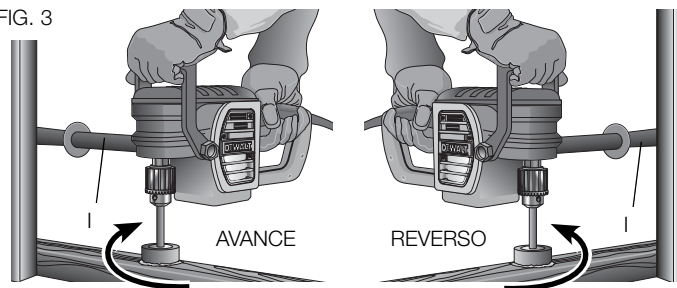
FIG. 2



⚠ADVERTENCIA: Para reducir el riesgo de lesión personal grave, **SIEMPRE** sujete o agarre la herramienta de manera segura con anticipación a una reacción repentina.

Con sus manos en la posición apropiada, sujete la herramienta como se muestra en la Figura 3.

FIG. 3



EMBRAGUE DESLIZABLE

El DWD450 y DWD460 están equipados cada uno con un embrague deslizable. El embrague está activo cuando la velocidad baja (1) es seleccionada. Cuando la broca o cortador entra en contacto con la pieza de trabajo, el embrague deslizará y se escuchará un sonido de trinquete. Libere el gatillo. Una activación continua del embrague, reducirá la vida de esta función.

EMBRAGUE E-CLUTCH™ (DWD460)

El DWD460 está equipado con un embrague E-Clutch™. Esta característica detecta el movimiento de la herramienta y reduce el par motor a un nivel manejable si es necesario. La luz indicadora del embrague E-Clutch™ (G) se iluminará para indicar el estado.

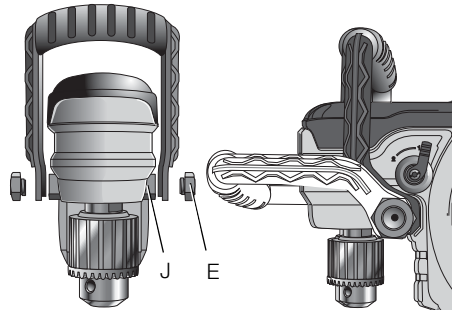
INDICADOR	DIAGNOSTICO	SOLUCIÓN
APAGADO (OFF)	La herramienta funciona con normalidad	Siga todas las advertencias e instrucciones cuando esté operando la herramienta
FIJO	El E-Clutch™ ha sido activado (ENGAGED)	Habiendo apoyado apropiadamente la herramienta, libere el gatillo la herramienta funcionara normalmente cuando el obturador sea liberado nuevamente y la luz indicadora se apagará
INTERMITENTE	El E-Clutch™ no está funcionando bien (SERVICE)	Lleve la herramienta a un agente de reparación autorizado de DEWALT

NOTA: Si la potencia de la herramienta es insuficiente para una perforación normal y el LED no titila, lleve la herramienta a un centro autorizado de reparaciones DEWALT.

Mango lateral (Fig. 4)

Un mango lateral es suministrado para transportar la herramienta y para ser usado como un mango adicional. Ensamble el mango lateral en una de las posiciones mostradas en la Figura 4. Cuando cambie la ubicación del mango lateral, de una posición hacia otra, remueva completamente los dos tornillos (E) que sujetan el mango lateral. Gire hacia el lado contrario el mango y reinstálelo.

FIG. 4

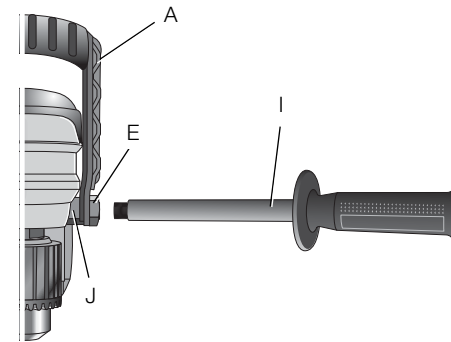


Mango lateral (Fig. 5)

⚠ADVERTENCIA: Para reducir el riesgo de lesión persona, siempre use la herramienta con el mango lateral instalado apropiadamente y apretado. El incumplimiento con lo anterior puede resultar en que el mango lateral se deslice durante la operación de la herramienta y la consecuente pérdida de control. Sujete la herramienta con ambas manos para maximizar el control.

El mango lateral de dos posiciones (I) puede ensamblarse en cualquiera de los lados de la herramienta. Atornille el mango lateral (I) en el tornillo del mango (E) o directamente dentro de los agujeros roscado (J) en el lado deseado. Apriete firmemente a mano.

FIG. 5



Palanca de Selección de Velocidad (Fig. 1)

AVISO: Riesgo de daño a la herramienta. No gire la palanca de selección de velocidad, mientras el taladro este en funcionamiento o girando por inercia, puede que ocurra daño a la herramienta.

Gire la palanca de selección de velocidad (B) hasta la velocidad deseada:

- 1 = Velocidad baja (330 RPM)
- 2 = Velocidad alta (1300 RPM)

NOTA: La primera vez que la herramienta funcione luego de cambiar la velocidad, usted puede escuchar un cliqueo en el encendido. Esto es normal y no indica problema alguno.

Conmutador tipo gatillo (Fig. 1)

Al presionar el gatillo (D) la herramienta se enciende, al liberar el gatillo, la herramienta se apaga.

VELOCIDAD VARIABLE

Un gatillo de velocidad variable, permite el control de la velocidad – mientras más profundo se presione el interruptor, mayor será la velocidad del taladro.

NOTA: Use velocidades bajas para iniciar la perforación sin un agujero guía central, al perforar metal, plástico o cerámica. Las velocidades más altas son mejores para perforar madera y tablas de compuesto.

Botón de avance/reverso (Fig. 1)

Un botón de avance/reverso (C) determine la dirección de la herramienta. Está ubicado al frente del gatillo.

Para seleccionar una rotación hacia adelante, libere el gatillo (D) y presione el botón de avance/reverso en el lado derecho de la herramienta.

Para seleccionar reverso, presione el botón de avance/reverso en el lado izquierdo de la herramienta. Cuando cambie la posición del botón, asegúrese de soltar el gatillo.

NOTA: La primera vez que la herramienta funcione luego de cambiar la dirección de rotación, usted puede escuchar un cliqueo en el encendido. Esto es normal y no indica problema alguno.

OPERACIÓN

⚠️ ADVERTENCIA: Para reducir el riesgo de lesiones personales graves, apague la herramienta y desconéctela de la fuente de alimentación antes de instalar y retirar accesorios, ajustar o cambiar configuraciones o realizar reparaciones. Un arranque accidental podría causar lesiones.

La broca gira en sentido horario cuando la herramienta está en la posición de avance y en sentido anti horario cuando está en la posición de reverso. Si la broca se atasca, la herramienta reducirá la velocidad hasta un nivel manejable. Usando una posición de las manos apropiada, sujete el mango lateral (I) o el cuerpo de la herramienta contra una viga para mejor soporte (Fig. 3).

Taladrado

⚠️ ADVERTENCIA: Para reducir el riesgo de lesión personal, SIEMPRE asegúrese que la pieza de trabajo este firmemente anclada o sujeta. Si esta taladrando material delgado, use un taco de madera de soporte para prevenir daños al material.

1. Sólo use brocas afiladas. Para MADERA, use brocas de torsión, broca de paleta, brocas largas o sierras de copa. Para METAL, use brocas de acero o sierras de copa.
2. Siempre aplique presión en línea recta con la broca. Use suficiente presión como para que la pieza siga calando pero no demasiada para prevenir que el motor se atasque o hacer desviar la pieza.
3. Sujete la herramienta con ambas manos para controlar la acción de torsión del taladro.
4. **SI EL TALADRO SE DETIENE**, usualmente es debido a que ha sido sobrecargado o usado inapropiadamente. **LIBERE INMEDIATAMENTE EL GATILLO**, remueva el taladro del sitio de trabajo y determine la causa del bloqueo. **NO ENCIENDA Y APAGUE EL GATILLO UNA Y OTRA VEZ EN EL INTENTO DE ENCENDER EL TALADRO BLOQUEADO.**
5. Para minimizar el bloqueo o traspasar el material, reduzca la presión sobre el taladro y lleve suavemente la broca hasta la última parte del agujero.
6. Mantenga el motor en funcionamiento cuando retire la broca del agujero de perforación. Este ayudará a prevenir un atasco.
7. Con brocas de velocidad variable no hay necesidad de contar con un agujero guía central para iniciar la perforación. Use una velocidad lenta para iniciar el agujero y acelere apretando el gatillo con más firmeza cuando el agujero este lo suficientemente profundo para taladrar sin que la broca salte hacia afuera.

TALADRADO EN METAL

Comience a taladrar con una velocidad lenta e incremente la velocidad hasta potencia completa, mientras aplica presión firme sobre la herramienta. Un flujo uniforme y suave de virutas de metal indica una velocidad apropiada de taladrado. Use un lubricante de corte cuando este taladrando metales. Las excepciones son el hierro fundido y el latón, los cuales deben ser taladrados en seco.

NOTA: Pueden hacerse agujeros largos [8 mm (5/16 pulg.) a 13 mm (1/2 pulg.)] en acero con mayor facilidad si primero se taladra un agujero guía [4 mm (5/32 pulg.) a 5 mm (3/16 pulg.)].

TALADRADO EN MADERA

Comience a taladrar con una velocidad lenta e incremente la velocidad hasta potencia completa, mientras aplica presión firme sobre la herramienta. Los orificios en madera pueden hacerse con las mismas brocas de espiral usadas para perforar metal. Estas brocas pueden sobrecalentarse a menos que se extraigan frecuentemente para limpiarlas de astillas. El trabajo que sea susceptible de producir astillas debe ser soportado con un bloque de madera.

Sujetador de la Llave del Portabrocas (Fig. 6, 7, 8)

1. Empuje el extremo de doble agujero del sujetador a través de la ranura en el otro extremo del sujetador (Fig. 6).
2. Haga un lazo sobre la conexión eléctrica y ajuste el lazo alrededor del cable (Fig. 7).
3. Presione los extremos del sujetador de llave de portabrocas (extremo largo primero) a través de los dos orificios del sujetador (Fig. 8).

FIG. 6



FIG. 7

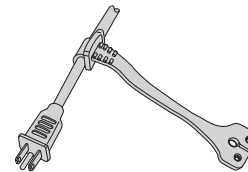


FIG. 8



Portabrocas con Llave

Abra las pinzas del portabrocas girando el collar manualmente e inserte el vástago de la broca hasta aproximadamente 19 mm (3/4 pulg.) en el interior del portabrocas. Apriete el collar del portabrocas manualmente. Coloque la llave del portabrocas en cada uno de los tres agujeros y apriete en dirección horaria. Es importante apretar el portabrocas con los tres agujeros. Para liberar la broca, gire el portabrocas en sentido anti horario en un solo agujero, luego afloje el portabrocas manualmente.

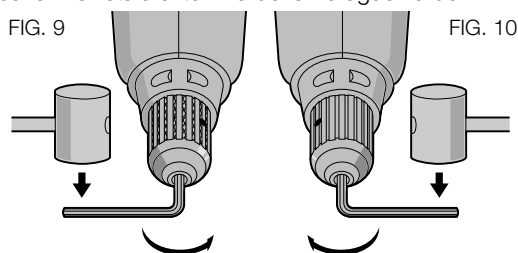
NOTA: Cuando use vástagos hexagonales o vástagos de brocas de tres caras, asegúrese de alinear las caras planas de la broca con las pinzas del portabrocas, para asegurar un acople apropiado por parte de las pinzas.

REMOCIÓN DE PORTABROCAS CON LLAVE (FIG. 9)

Remueva el tornillo zurdo del embrague, usando una llave torx T25, rotando en sentido horario para aflojar. Apriete el portabrocas alrededor del extremo más corto de la llave hexadecimal (no incluida) de 10 mm (3/8 pulg.) de tamaño. Con la herramienta sujeta con firmeza, use un martillo suave y golpee la llave hexadecimal en dirección anti horario viendo la herramienta de manera frontal. Esto aflojara el portabrocas, de tal forma que este pueda ser removido.

INSTALACIÓN DEL PORTABROCAS CON LLAVE (FIG. 10)

Atornille manualmente el portabrocas en el taladro hasta donde este lo permita. Inserte el extremo corto de la llave hexadecimal (no incluida) de 10 mm (3/8 pulg.) de tamaño y golpéela en sentido horario con un martillo suave. Reinstale el tornillo del embrague zurdo.



MANTENIMIENTO

⚠ ADVERTENCIA: Para reducir el riesgo de lesiones personales graves, apague la herramienta y desconéctela de la fuente de alimentación antes de instalar y retirar accesorios, ajustar o cambiar configuraciones o realizar reparaciones. Un arranque accidental podría causar lesiones.

Escobillas del Motor

DEWALT usa un sistema avanzado de escobillas que automáticamente detiene el taladro cuando las escobillas están desgastadas. Esto evita daños graves al motor. En los centros autorizados de servicio DEWALT se encuentran disponibles juegos de escobillas nuevos. Siempre use repuestos idénticos.

Lubricación

Su herramienta fue lubricada apropiadamente antes de salir de la fábrica. Dentro de dos a seis meses, dependiendo del uso,

lleve o envíe su herramienta al Centro de Servicio DEWALT o a otra organización calificada de servicio para limpieza, inspección y relubricación completa.

Las herramientas usadas constantemente o en trabajos pesados o expuestas al calor, pueden requerir de lubricación más frecuentemente. Las herramientas “fuera de servicio” por largos periodos, deben ser relubricadas antes de ser puestas de vuelta en servicio.

Limpieza

⚠ ADVERTENCIA: Sople la suciedad y el polvo de todos los conductos de ventilación con aire seco, al menos una vez por semana. Para reducir el riesgo de lesiones, utilice siempre protección para los ojos aprobada ANSI Z87.1 al realizar esta tarea.

⚠ ADVERTENCIA: Nunca utilice solventes ni otros químicos abrasivos para limpiar las piezas no metálicas de la herramienta. Estos productos químicos pueden debilitar los materiales plásticos utilizados en estas piezas. Utilice un paño humedecido sólo con agua y jabón neutro. Nunca permita que penetre líquido dentro de la herramienta ni sumerja ninguna de las piezas en un líquido.

Accesorios

⚠ ADVERTENCIA: Debido a que no se han probado con este producto otros accesorios que no sean los que ofrece DEWALT, el uso de dichos accesorios con esta herramienta podría ser peligroso. Para reducir el riesgo de lesiones, con este producto deben usarse sólo los accesorios recomendados por DEWALT.

Los accesorios que se recomiendan para utilizar con la herramienta están disponibles a un costo adicional en su distribuidor local o en un centro de mantenimiento autorizado. Si necesita ayuda para localizar algún accesorio, póngase en contacto con DEWALT Industrial Tool Co., 701 East Joppa Road, Baltimore, MD 21286, llame al 1-800-4-DEWALT (1-800-433-9258) o visite nuestro sitio Web: www.dewalt.com.

⚠ATENCIÓN: Para reducir el riesgo de lesiones, sólo deberían usarse los accesorios siguientes y en los tamaños máximos mostrados en la tabla más abajo.

CAPACIDADES MÁXIMAS RECOMENDADAS

	VELOCIDAD BAJA	VELOCIDAD ALTA
R.P.M.	330	1300
MADERA, TALADRADO PLANO	-	38 mm (1-1/2 pulg.)
SIERRAS DE COPA	152,4 mm (6 pulg.)	
BROCA LARGA	-	38 mm (1-1/2 pulg.)
BROCAS DENTADAS	102 mm (4-5/8 pulg.)	65 mm (2-9/16 pulg.)
EMBRAGUE	SI	NO
LUZ INDICADORA DEL EMBRAGUE E-CLUTCH™ (DWD460)	SI	SI

NOTA: Para agujeros en metal mayores a 13 mm (1/2 pulg.) usar sierras de copa.

Reparaciones

Para asegurar la SEGURIDAD y la CONFIABILIDAD del producto, las reparaciones, el mantenimiento y los ajustes deben (inclusive inspección y cambio de carbones) ser realizados en un centro de mantenimiento en la fábrica DEWALT, en un centro de mantenimiento autorizado DEWALT u por otro personal de mantenimiento calificado. Utilice siempre piezas de repuesto idénticas.

PARA REPARACIÓN Y SERVICIO DE SUS HERRAMIENTAS ELÉCTRICAS, FAVOR DE DIRIGIRSE AL CENTRO DE SERVICIO MÁS CERCANO

CULIACAN, SIN

Blvd.Emiliano Zapata 5400-1 Poniente Col. San Rafael (667) 717 89 99

GUADALAJARA, JAL

Av. La Paz #1779 - Col. Americana Sector Juárez (33) 3825 6978

MEXICO, D.F.

Eje Central Lázaro Cárdenas No. 18 Local D, Col. Obrera (55) 5588 9377

MERIDA, YUC

Calle 63 #459-A - Col. Centro (999) 928 5038

MONTERREY, N.L.

Av. Francisco I. Madero 831 Poniente - Col. Centro (818) 375 23 13

PUEBLA, PUE

17 Norte #205 - Col. Centro (222) 246 3714

QUERETARO, QRO

Av. San Roque 274 - Col. San Gregorio (442) 2 17 63 14

SAN LUIS POTOSI, SLP

Av. Universidad 1525 - Col. San Luis (444) 814 2383

TORREON, COAH

Blvd. Independencia, 96 Pte. - Col. Centro (871) 716 5265

VERACRUZ, VER

Prolongación Díaz Mirón #4280 - Col. Remes (229) 921 7016

VILLAHERMOSA, TAB

Constitución 516-A - Col. Centro (993) 312 5111

Español

PARA OTRAS LOCALIDADES:
Si se encuentra en México, por favor llame al (55) 5326 7100
Si se encuentra en U.S., por favor llame al
1-800-433-9258 (1-800 4-DEWALT)

Póliza de Garantía

IDENTIFICACIÓN DEL PRODUCTO:

Sello o firma del Distribuidor.

Nombre del producto: _____ Mod./Cat.: _____

Marca: _____ Núm. de serie: _____

(Datos para ser llenados por el distribuidor)

Fecha de compra y/o entrega del producto: _____

Nombre y domicilio del distribuidor donde se adquirió el producto:

Este producto está garantizado por un año a partir de la fecha de entrega, contra cualquier defecto en su funcionamiento, así como en materiales y mano de obra empleados para su fabricación. Nuestra garantía incluye la reparación o reposición del producto y/o componentes sin cargo alguno para el cliente, incluyendo mano de obra, así como los gastos de transportación razonablemente erogados derivados del cumplimiento de este certificado.

Para hacer efectiva esta garantía deberá presentar su herramienta y esta póliza sellada por el establecimiento comercial donde se adquirió el producto, de no contar con ésta, bastará la factura de compra.

EXCEPCIONES

Esta garantía no será válida en los siguientes casos:

- Cuando el producto se hubiese utilizado en condiciones distintas a las normales;
- Cuando el producto no hubiese sido operado de acuerdo con el instructivo de uso que se acompaña;
- Cuando el producto hubiese sido alterado o reparado por personas distintas a las enlistadas al final de este certificado.

Anexo encontrará una relación de sucursales de servicio de fábrica, centros de servicio autorizados y franquiciados en la República Mexicana, donde podrá hacer efectiva su garantía y adquirir partes, refacciones y accesorios originales.

Registro en línea

Gracias por su compra. Registre su producto ahora para:

- **SERVICIO EN GARANTÍA:** Si completa esta tarjeta, podrá obtener un servicio en garantía más eficiente, en caso de que exista un problema con su producto.
- **CONFIRMACIÓN DE PROPIEDAD:** En caso de una pérdida que cubra el seguro, como un incendio, una inundación o un robo, el registro de propiedad servirá como comprobante de compra.
- **PARA SU SEGURIDAD:** Si registra el producto, podremos comunicarnos con usted en el caso improbable que se deba enviar una notificación de seguridad conforme a la Federal Consumer Safety Act (Ley Federal de Seguridad de Productos para el Consumidor).

Registro en línea en www.dewalt.com/register.

Garantía limitada por tres años

DEWALT reparará, sin cargo, cualquier falla que surja de defectos en el material o la fabricación del producto, por hasta tres años a contar de la fecha de compra. Esta garantía no cubre fallas de las piezas causadas por su desgaste normal o abuso a la herramienta. Para mayores detalles sobre la cobertura de la garantía e información acerca de reparaciones realizadas bajo garantía, visítenos en www.dewalt.com o diríjase al centro de servicio más cercano. Esta garantía no aplica a accesorios o a daños causados por reparaciones realizadas o intentadas por terceros. Esta garantía le otorga derechos legales específicos, además de los cuales puede tener otros dependiendo del estado o la provincia en que se encuentre.

Además de la garantía, las herramientas DEWALT están cubiertas por:

Español

1 AÑO DE SERVICIO GRATUITO

DEWALT mantendrá la herramienta y reemplazará las piezas gastadas por su uso normal, sin cobro, en cualquier momento durante un año a contar de la fecha de compra. Los artículos gastados por la clavadora, tales como la unidad de hoja y retorno del impulsador, no están cubiertas.

GARANTÍA DE REEMBOLSO DE SU DINERO POR 90 DÍAS

Si no está completamente satisfecho con el desempeño de su máquina herramienta, láser o clavadora DEWALT, cualquiera sea el motivo, podrá devolverlo hasta 90 días de la fecha de compra con su recibo y obtener el reembolso completo de su dinero – sin necesidad de responder a ninguna pregunta.

AMÉRICA LATINA: Esta garantía no se aplica a los productos que se venden en América Latina. Para los productos que se venden en América Latina, debe consultar la información de la garantía específica del país que viene en el empaque, llamar a la compañía local o visitar el sitio Web a fin de obtener esa información.

REEMPLAZO GRATUITO DE LAS ETIQUETAS DE ADVERTENCIAS: Si sus etiquetas de advertencia se vuelven ilegibles o faltan, llame al 1-800-4-DEWALT (1-800-433-9258) para que se le reemplacen gratuitamente.



ESPECIFICACIONES

DWD450/DWD460

Tensión de alimentación:	120 V AC ~
Consumo de corriente:	11 A
Frecuencia de alimentación:	50–60 Hz
Potencia nominal:	1188 W
Rotación sin carga:	0-330 / 0-1 300 rpm

SOLAMENTE PARA PROPÓSITO DE MÉXICO:
 IMPORTADO POR: DEWALT INDUSTRIAL TOOL CO. S.A. DE C.V.
 AVENIDA ANTONIO DOVALI JAIME, # 70 TORRE B PISO 9
 COLONIA LA FE, SANTA FÉ
 CÓDIGO POSTAL : 01210
 DELEGACIÓN ALVARO OBREGÓN
 MÉXICO D.F.
 TEL. (52) 555-326-7100
 R.F.C.: BDE810626-1W7

Para servicio y ventas consulte
"HERRAMIENTAS ELECTRICAS"
 en la sección amarilla.









DEWALT Industrial Tool Co., 701 Joppa Road, Baltimore, MD 21286
(JAN14) Part No. N347539 DWD450, DW460 Copyright © 2008, 2013, 2014 DEWALT
The following are trademarks for one or more DEWALT power tools: the yellow and black color scheme; the “D” shaped air intake grill; the array of pyramids on the handgrip; the kit box configuration; and the array of lozenge-shaped humps on the surface of the tool.

Free Manuals Download Website

<http://myh66.com>

<http://usermanuals.us>

<http://www.somanuals.com>

<http://www.4manuals.cc>

<http://www.manual-lib.com>

<http://www.404manual.com>

<http://www.luxmanual.com>

<http://aubethermostatmanual.com>

Golf course search by state

<http://golfingnear.com>

Email search by domain

<http://emailbydomain.com>

Auto manuals search

<http://auto.somanuals.com>

TV manuals search

<http://tv.somanuals.com>