

air-o-steam® Gas Combi Oven 201

ITEM # _____
 MODEL # _____
 PROJECT NAME # _____
 SIS # _____
 AIA # _____



air-o-steam® Gas Combi Oven 201

267554 (AOS201GAP1) Gas Combi Oven 201
 120 V/1p/60Hz - 7.3A

Short Form Specification

Item No. _____

Unit to be Electrolux air-o-steam® Combi Oven AOS201G. The air-o-steam® features three cooking modes – Steam (77 °F-266 °F), Hot convected air (77 °F-572 °F) and Combi-mode (77 °F-482 °F). Each cooking mode operates under lambda-sensor driven air-o-clima: automatic and constant real humidity control. 6-point multi-sensor for core temperature controlled cooking cycles. Pre-programmed Low Temperature Cooking cycle (LTC) and programmable memory (up to 100, 7-step programs available), 20 factory pre-set cooking programs included. Large LED display for both set and actual values of humidity and temperature in cooking chamber during cooking. All 304 stainless-steel construction, seamless hygienic cooking chamber with all rounded corners. Double thermo-glazed door with open frame construction for cool outside door panel. Halogen cooking chamber lighting. IPX-5 (NEMA 4) spray water protection certification.

air-o-clean, automatic and built-in self-cleaning system.

EKIS, pc-controlled HACCP monitoring software package available at additional cost.

Half day chef training included.

Covered by Electrolux Platinum Star® Service Program two-year parts and one-year labor warranty, installation start-up and performance check-up after one year from installation.



Approval: _____

Main features

- Dry, hot convection cycle (77 °F to 572 °F): ideal for low humidity baking.
- Low temperature Steam cycle (77 °F to 211 °F): ideal for sous-vide (vacuum packed) re-thermalization and delicate cooking.
- Steam cycle (212 °F): seafood and vegetables.
- High temperature steam (213 °F to 266 °F).
- Combination cycle (77 °F to 482 °F): combining convected heat and steam to obtain humidity controlled cooking environment, accelerating the cooking process and reducing weight loss.
- Pre-programmed re-thermalization cycles for banqueting applications.
- **air-o-clima**: lambda sensor controlled automatic humidity adjustment of cooking environment (PATENT).
- 6-point multi-sensor core temperature probe.
- Pre-programmed Low Temperature Cooking cycle (LTC): minimizes weight loss, maximizes food quality for large pieces of meat (PATENT).
- Cook&Hold cycle.
- Variable fan speed. Radial fan.
- Reduced power cycle.
- 20 pre-set cooking programs in memory for most popular cooking items.
- 100 program locations in on-board memory, up to 7 cooking steps each.
- **air-o-clean**: built-in and automatic self-cleaning system.
- Electrolux Platinum Star® Service package included:
 - 2-year parts, 1-year labor warranty.
 - Start-up install check.
 - Equipment check-up after 12 month from installation.
 - Half day chef training session.

Construction

- High efficiency and low emissions burners.
- IPX 5 splash water protection certification for easy cleaning.
- All 304 stainless steel construction.
- Seamless hygienic cooking chamber with all rounded corners for easy cleaning.
- Double thermo-glazed door with open frame construction, for cool outside door panel.
- Swing hinged easy-release inner glass on door for easy cleaning.
- Swing hinged front panel for easy service access to main components.

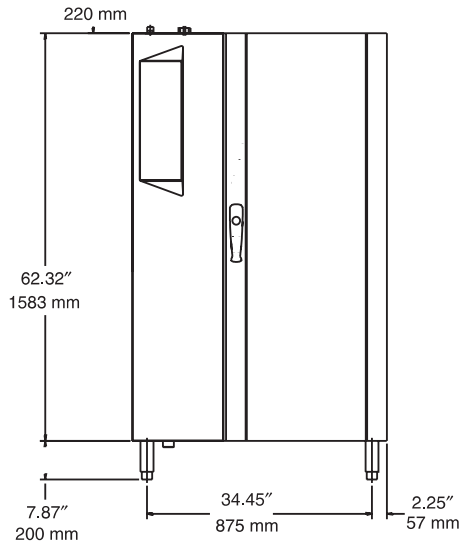
Included Accessories

- 1 rack trolley (20 racks) PNC 922007
- 10 304 stainless steel grids PNC 922062

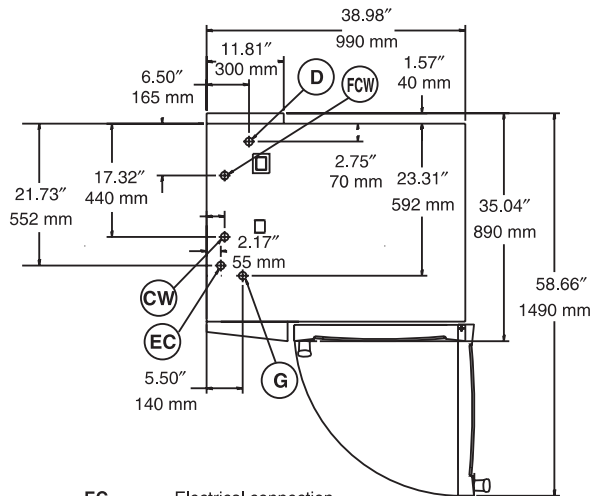
Optional Accessories

- Increased pitch rack trolley (16 grids) PNC 922010
- 54 plate trolley PNC 922016
- 45 plate trolley PNC 922072
- Thermal blanket for banqueting trolley PNC 922014
- Pair of chicken racks (8 chickens per rack) PNC 922036
- Non-stick universal pans PNC 922090-2
- Combi oven grill PNC 922093
- Fat filters PNC 922179
- Frying griddle PNC 922215
- Pair of frying baskets PNC 922239
- Heat shield for 201 PNC 922243
- External hand shower PNC 923006

Front View

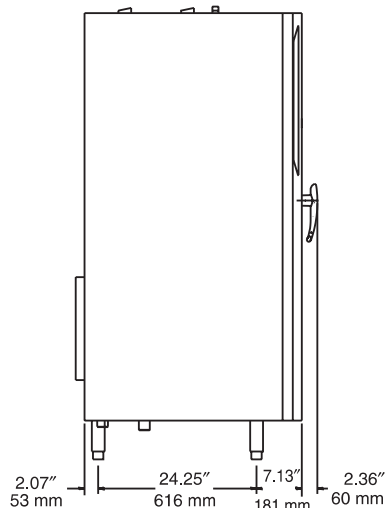


Top View



- EC = Electrical connection
- G = Gas connection
- D = Water drain
- CW = Cold Water inlet
- FCW = Filtered Cold Water inlet

Side View



Electric

Supply voltage:
267554 (AOS201GAP1) 120 V/1p/60Hz - 7.3A
Circuit breaker required:

Gas (Natural or LPG)

Gas (Natural or LPG)
ISO 7/1 Gas connection diameter: 1" MNPT
Gas regulator recommended. Supplied by others.

Max rated thermal load:

Natural Gas

Pressure: 7" w.c. (17.4 mbar)
Steam generator: BTU 116,000 (34 kW)
Heating elements: BTU 170,600 (50 kW)
Total: BTU 286,600 (84 kW)

LPG

Pressure: 11" w.c. (27.4 mbar)
Steam generator: BTU 102,400 (30 kW)
Heating elements: BTU 153,600 (45 kW)
Total: BTU 256,000 (75 kW)

Water

Water Consumption (gal./hr.): Min: 4.49 Max: 20.08

Water inlet "CW" - 3/4" connection:

Unfiltered drinking water

Water inlet "FCW" - 3/4" connection:

Total hardness: 5-50 ppm

Pressure: 22-36 psi (150-250 kPa)

Drain "D": 1-1/4" connection

Electrolux recommends the use of treated water, based on testing of specific water conditions.

Please refer to user manual for detailed water quality information.

Installation

Clearance: 2" (5 cm) rear and right hand sides.

Suggested clearance

for service access: 20" (50 cm) left hand side.

Capacity

Steam pans: 20 - 12" x 20"

Half size sheet pans: 20 - 13" x 18"

GN: 20 - 1/1 containers

Max load capacity: 220 lbs. (100 kg)

Key Information

Net weight: 551 lbs. (250 kg)

Shipping weight: 640 lbs. (290 kg)

Shipping width: 41-3/4" (1060 mm)

Shipping height: 81-1/8" (2060 mm)

Shipping depth: 39" (990 mm)

Shipping Volume: 76.5 cu. ft. (2.16 m³)

air-o-steam®
Gas Combi Oven 201

The company reserves the right to make modifications to the products without prior notice. All information correct at time of printing.

Free Manuals Download Website

<http://myh66.com>

<http://usermanuals.us>

<http://www.somanuals.com>

<http://www.4manuals.cc>

<http://www.manual-lib.com>

<http://www.404manual.com>

<http://www.luxmanual.com>

<http://aubethermostatmanual.com>

Golf course search by state

<http://golfingnear.com>

Email search by domain

<http://emailbydomain.com>

Auto manuals search

<http://auto.somanuals.com>

TV manuals search

<http://tv.somanuals.com>