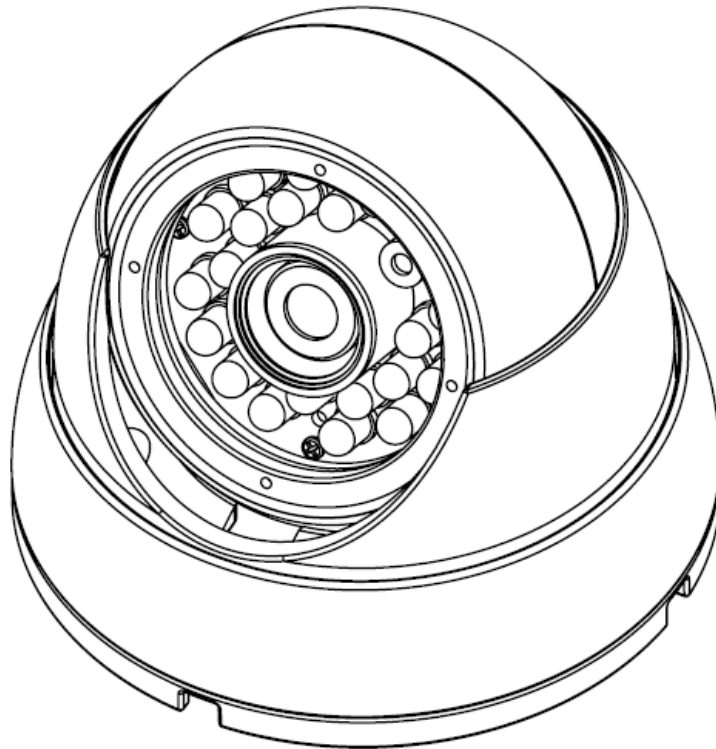


---

Operation Instruction



***HDcctv 1080p Outdoor IR  
Vandal-Proof Dome Camera***

***EBH5241***

EVERFOCUS ELECTRONICS CORPORATION

## Operation Instruction

---

© 2012 EverFocus Electronics Corp

Please read this manual first for correct installation and operation. This manual should be retained for future reference. The information in this manual was current when published. The manufacturer reserves the right to revise and improve its products. All specifications are therefore subject to change without notice.

All rights reserved. No part of the contents of this manual may be reproduced or transmitted in any form or by any means without written permission of the EverFocus Electronics Corporation.

## **PRECAUTIONS**

- 1. Do not install the camera near electric or magnetic fields.**  
Install the camera away from TV/radio transmitters, magnets, electric motors, transformers and audio speakers since the electromagnetic fields generated from these devices may distort the video image or otherwise interfere with camera operation.
- 2. Never disassemble the camera beyond the recommendations in this manual nor introduce materials other than those recommended herein.** Improper disassembly or introduction of corrosive materials may result in equipment failure or other damage.
- 3. Try to avoid facing the camera toward the sun.**  
In some circumstances, direct sunlight may cause permanent damage to the sensor and/or internal circuits, as well as creating unbalanced illumination beyond the capability of the camera to compensate.
- 4. Keep the power cord away from water and other liquids and never touch the power cord with wet hands.** Touching a wet power cord with your hands or touching the power cord with wet hands may result in electric shock.
- 5. Never install the camera in areas exposed to oil, gas or solvents.**  
Oil, gas or solvents may result in equipment failure, electric shock or, in extreme cases, fire.
- 6. Cleaning**  
For cameras with interchangeable lenses, do not touch the surface of the sensor directly with the hands. Use lens tissue or a cotton tipped applicator and ethanol to clean the sensor and the camera lens. Use a damp soft cloth to remove any dirt from the camera body. Please do not use complex solvents, corrosive or abrasive agents for cleaning of any part of the camera.
- 7. Do not operate the camera beyond the specified temperature, humidity or power source ratings. This camera is suitable for indoor and outdoor operation.** Use the camera at temperatures within -10°C~50°C (14°F~122°F) and in an IP66 compliant environment; this device is not rated as submersible. The input power source is 12VDC. **The use of properly fused or Class 2 power limited type supplies are highly recommended.**
- 8. Mounting**  
Use care in selecting a solid mounting surface which will support the weight of the camera plus any wind, snow, ice or other loading, and securely attach the camera to the mounting surface using screws and anchors which will properly support the camera. If necessary (e.g. when mounting to drop ceilings) use a safety wire to provide additional support for the camera.



**ATTENTION!** This is a class A product which may cause radio interference in a domestic environment; in this case, the user may be urged to take adequate measures.



#### **Federal Communication Commission Interference Statement**

This equipment has been tested and found to comply with the limits for a Class B digital device, pursuant to Part 15 of the FCC Rules. These limits are designed to provide reasonable protection against harmful interference in a residential installation. This equipment generates, uses and can radiate radio frequency energy and, if not installed and used in accordance with the instructions, may cause harmful interference to radio communications. However, there is no guarantee that interference will not occur in a particular installation. If this equipment does cause harmful interference to radio or television reception, which can be determined by turning the equipment off and on, the user is encouraged to try to correct the interference by one of the following measures :

- Reorient or relocate the receiving antenna.
- Increase the separation between the equipment and receiver.
- Connect the equipment into an outlet on a circuit different from that to which the receiver is connected.
- Consult the dealer or an experienced radio/TV technician for help.

FCC Caution: Any changes or modifications not expressly approved by the party responsible for compliance could void the users' authority to operate this equipment.

# Table of Contents

<b>1. PRODUCT OVERVIEW .....</b>	<b>6</b>
1.1 FEATURES .....	6
1.2 ACCESSORY PARTS LIST.....	7
1.3 SPECIFICATIONS .....	8
1.4 DIMENSIONS .....	9
<b>2. CAMERA COMPONENT DESCRIPTION .....</b>	<b>10</b>
<b>3. INSTALLATION .....</b>	<b>11</b>

## **1. Product Overview**

The EBH5241 is an HDcctv turret style outdoor dome camera with True Day/Night capability in an IP66 vandal proof housing. Based on a Sony 2.1 megapixel progressive scan sensor for HD 1080p resolution 100% digital images, it delivers vastly superior video quality compared to traditional CCTV images. This superior resolution not only captures more critical evidentiary information, but the inherent ability for megapixel video also extends the area of coverage, expedites completion of investigations, resolves complaints and reduces both capital and operational costs. Designed with 20 long lifespan IR LEDs, the EBH5241 can capture images at up to 30 ft. in low or no light environments.

No major upgrade to the IT network is required to deploy this powerful technology; HDcctv cameras communicate at digital speeds up to 1.5Gb/s over existing or new coaxial cable (RG59 or other types for longer distances), using industry standard BNC connectors. With its 3-Axis positioning and IR illuminators, the EBH5241 delivers flexible, robust coverage in a wide range of demanding surveillance environments while delivering stunning HD image quality.

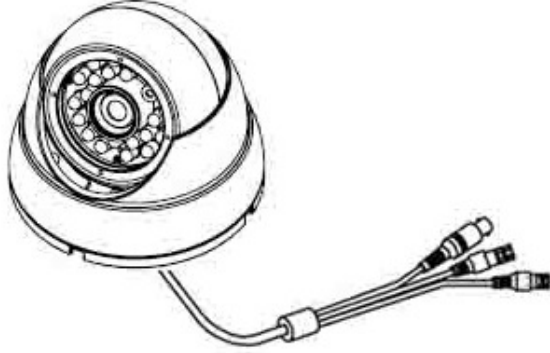
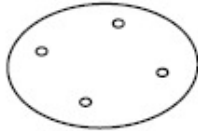



### **1.1 Features**

- HDcctv Megapixel real time 1920x1080 HD video over coax
- Video output of 1080p at 30fps
- True day/night operation with automatic ICR module
- Includes DNR to improve picture clarity while enabling DVRs to improve disk storage utilization
- 3-Axis positioning turret style for flexible mounting and aiming
- 20 long life leds for an IR range of up to 30 ft. (Depends on scene IR reflectivity)
- Vandal Proof Construction
- Weather Resistant IP66 rated

## 1.2 Accessory Parts List



Please be careful when you unpack the box due to the electronics devices inside. Check and make sure that you have all the items listed below inside the original box:

Camera	
	
Template	Manual
	
Screws / L-Wrench / Plastic anchors	Pigtail (Power)
	

**Please Note:** If an item appears to have been damaged in shipment, replace it properly in its carton and notify the shipper. If any items are missing, notify your EverFocus Electronics Corp. Sales Representative or Customer Service. The shipping carton is the safest container in which the unit may be transported. Save it for possible future use.

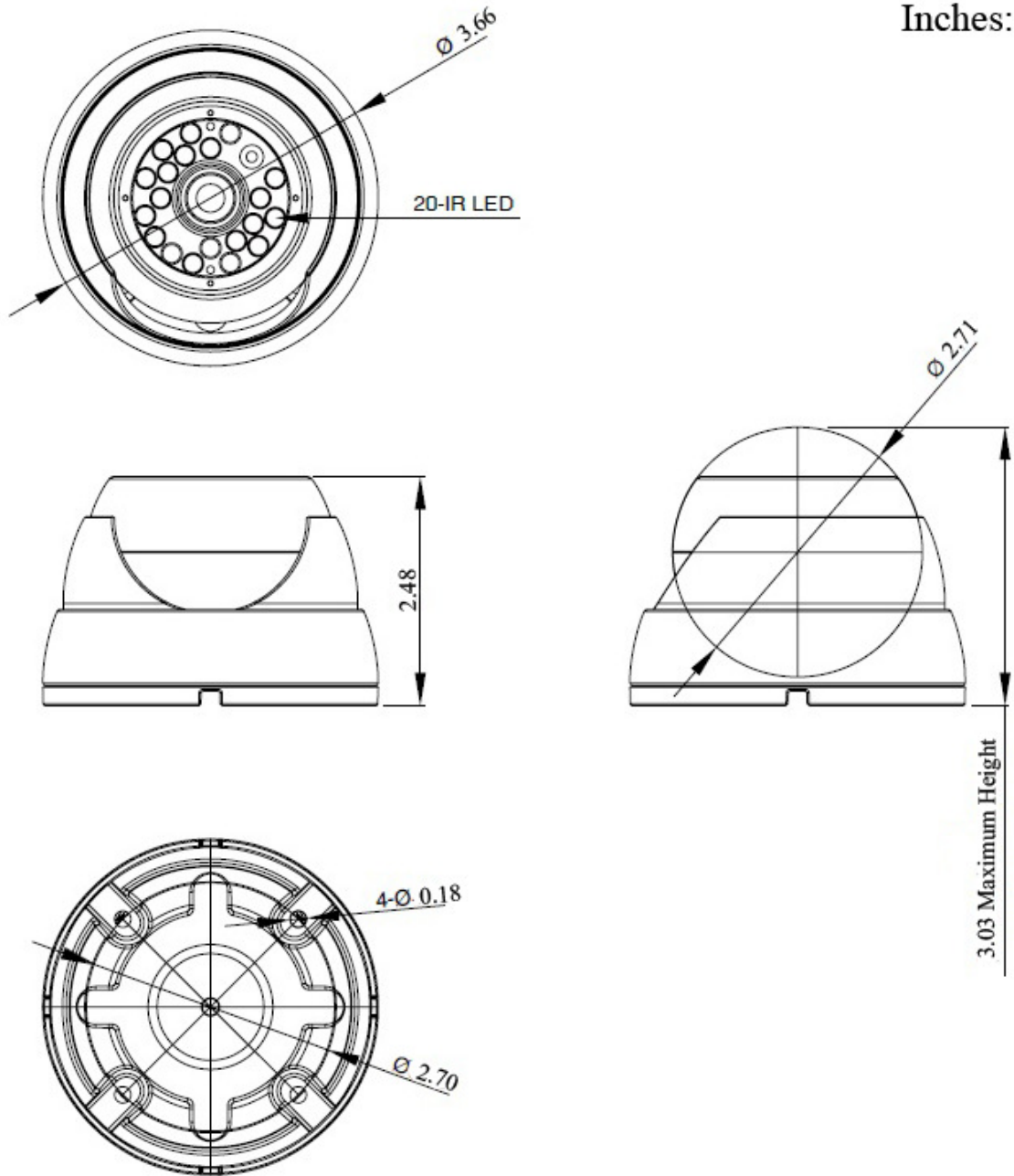
## 1.3 Specifications

Pickup Device	1/2.9" Sony 2.43 Megapixel Color Progressive CMOS Sensor
Sensitivity	0lux(IR LED ON)
S/N Ratio	Max. 50dB
Video Format Main Output	HDcctv 1.5Gb/s digital system
Resolution Main Output	1920 x 1080
Video Mode Main Output	1080p 30fps
Main Output Connector	BNC
Test Video Output Connector	BNC
Video Format Test Output	NTSC
Exposure Control	Electronic Iris
Lens Type	Fixed f3.6mm
True Day/Night Control	Yes (Auto IR cut filter removal)
Auto Gain Control	Yes (Max)
Auto White Balance	ATW
DSS	Yes (4x)
Lens Shading	Yes
DNR	Yes (Mid)
IR Wavelength	850nm
IR Range	Up to ~60 ft.
Power Sources & Consumption	12VDC: 390mA max.
Dimensions (φ x H)	93 mm (O.D.) x 63 mm (H) / 3.66" (O.D.) x 2.48 "(H)
Weight	
Operating Temperature	-10°C~50°C ; 14°F~122°F
Weather Resistant	IP66 rated
Vandal Proof	Yes
Certifications	FCC/CE



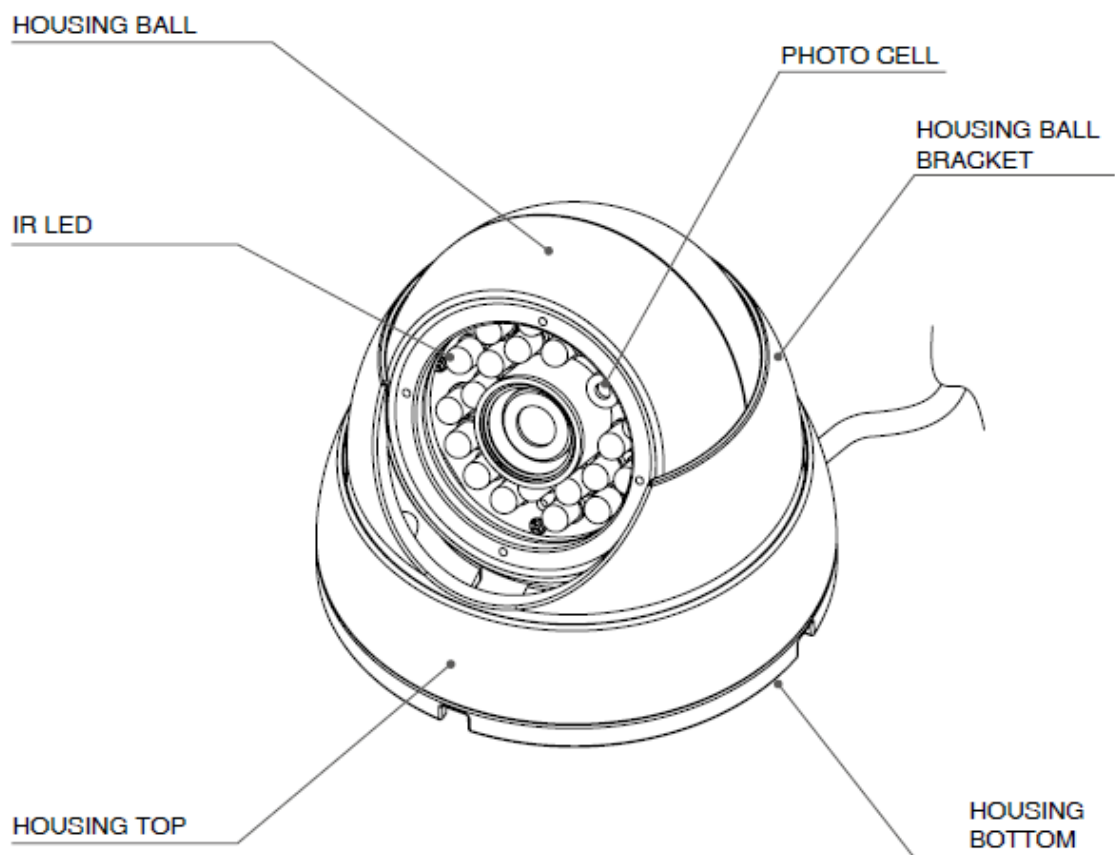
## 1.4 Dimensions

Inches:



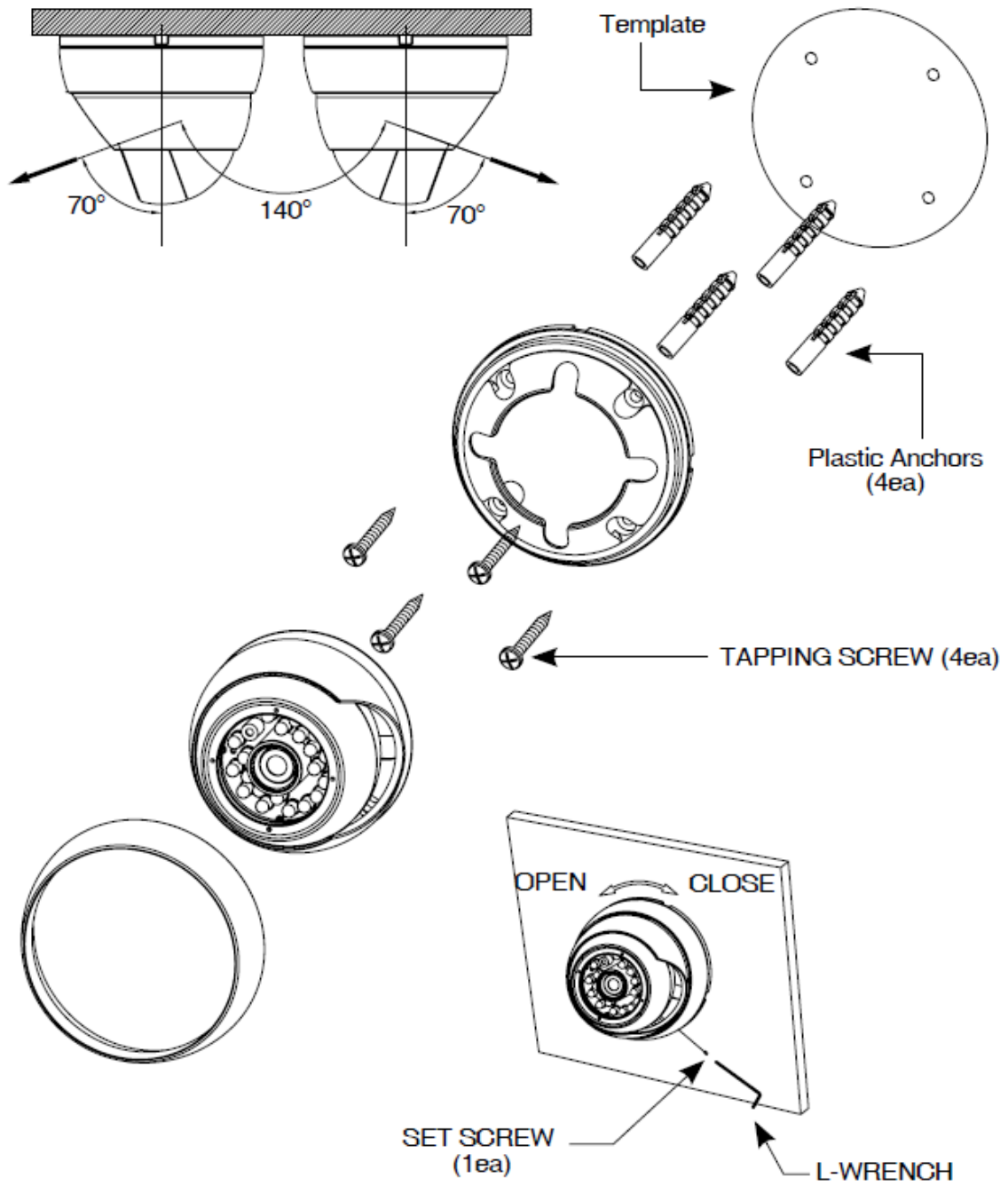
# Chapter 2

## 2. Camera Component Description

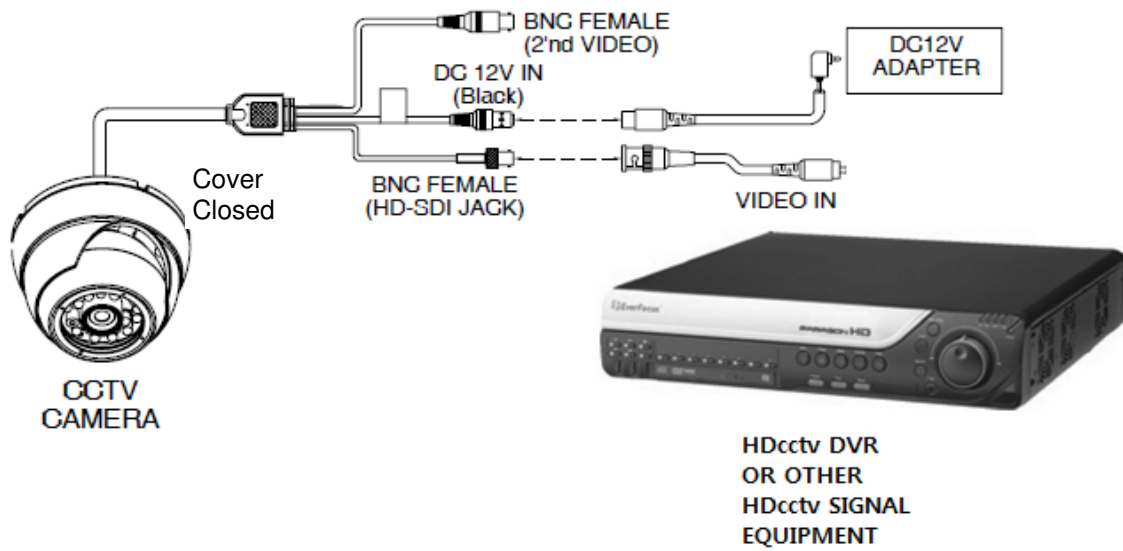


# Chapter 3


## 3. Installation



## Connection



### \*\* NOTE

 When you install the camera, please glue up the end of cable to keep it stable in order to protect the camera from the humidity problems.

# EverFocus Electronics Corp.

## EverFocus Taiwan:

12F, No.79, Sec. 1, Shin-Tai Wu Road,  
Hsi-Chih, Taipei, Taiwan  
TEL: +886 2 2698 2334  
FAX: +886 2 2698 2380  
www.everfocus.com.tw  
[marketing@everfocus.com.tw](mailto:marketing@everfocus.com.tw)

## EverFocus China - Beijing:

Room 609, Technology Trade Building,  
Shangdi Information Industry Base,  
Haidian District, Beijing 100085, China  
TEL: +86 10 6297 3336~39  
FAX: +86 10 6297 1423  
www.everfocus.com.cn  
[marketing@everfocus.com.cn](mailto:marketing@everfocus.com.cn)

## EverFocus USA - California:

1801 Highland Avenue, Unit A, Duarte, CA  
91010, USA  
TEL: +1 626 844 8888  
FAX: +1 626 844 8838  
www.everfocus.com  
[sales@everfocus.com](mailto:sales@everfocus.com)

## EverFocus Japan:

5F, Kinshicho City Building, 2-13-4 Koto-  
Bashi, Sumida-Ku, Tokyo, 130-0022, Japan  
TEL: +81 3 5625 8188  
FAX: +81 3 5625 8189  
www.everfocus.co.jp  
[info@everfocus.co.jp](mailto:info@everfocus.co.jp)

## EverFocus India:

Suite 803, Housefin Bhavan, C-21,  
Bandra Kurla Complex, Bandra (East),  
Mumbai 400051, India  
TEL: +91 22 6128 8700  
FAX: +91 22 6128 8705  
www.everfocus.in  
[sales@everfocus.in](mailto:sales@everfocus.in)

## EverFocus Europe - Germany:

Albert-Einstein-Strasse 1, D-46446  
Emmerich, Germany  
TEL: +49 2822 93940  
FAX: +49 2822 939495  
www.everfocus.de  
[info@everfocus.de](mailto:info@everfocus.de)

## EverFocus China - Shenzhen:

4F, No. 2, D4 Building, Wan Yelong  
Industrial Park, Tangtou Road, Shiyan,  
Baoan, Shenzhen, Guangdong 518101, China  
TEL: +86 755 2765 1313  
FAX: +86 755 2765 0337  
www.everfocus.com.cn  
[marketing@everfocus.com.cn](mailto:marketing@everfocus.com.cn)

## EverFocus USA - New York:

415 Oser Avenue, Unit S, Hauppauge, NY 11788,  
USA  
TEL: +1 631 436 5070  
FAX: +1 631 436 5027  
www.everfocus.com  
[sales@everfocus.com](mailto:sales@everfocus.com)

## EverFocus Europe - UK:

Unit 12, Spitfire Business Park,  
Hawker Road, Croydon Surrey, CR0 4WD, UK  
TEL: +44 (0) 20 8649 9757 / 0845 430 9999  
FAX: +44 (0) 20 8649 9907  
www.everfocus.com  
[salesuk@everfocus.com](mailto:salesuk@everfocus.com)



Your EverFocus product is designed and manufactured with high quality materials and components which can be recycled and reused. This symbol means that electrical and electronic equipment, at their end-of-life, should be disposed of separately from your household waste. Please, dispose of this equipment at your local community waste collection/recycling centre. In the European Union there are separate collection systems for used electrical and electronic product. Please, help us to conserve the environment we live in!

Ihr EverFocus Produkt wurde entwickelt und hergestellt mit qualitativ hochwertigen Materialien und Komponenten, die recycelt und wieder verwendet werden können. Dieses Symbol bedeutet, dass elektrische und elektronische Geräte am Ende ihrer Nutzungsdauer vom Hausmüll getrennt entsorgt werden sollen. Bitte entsorgen Sie dieses Gerät bei Ihrer örtlichen kommunalen Sammelstelle oder im Recycling Centre. Helfen Sie uns bitte, die Umwelt zu erhalten, in der wir leben!



**EverFocus®**

## Free Manuals Download Website

<http://myh66.com>

<http://usermanuals.us>

<http://www.somanuals.com>

<http://www.4manuals.cc>

<http://www.manual-lib.com>

<http://www.404manual.com>

<http://www.luxmanual.com>

<http://aubethermostatmanual.com>

Golf course search by state

<http://golfingnear.com>

Email search by domain

<http://emailbydomain.com>

Auto manuals search

<http://auto.somanuals.com>

TV manuals search

<http://tv.somanuals.com>