

Compatibility:

- 564 SS Fireplace with FPX Arched Face

Packing List:

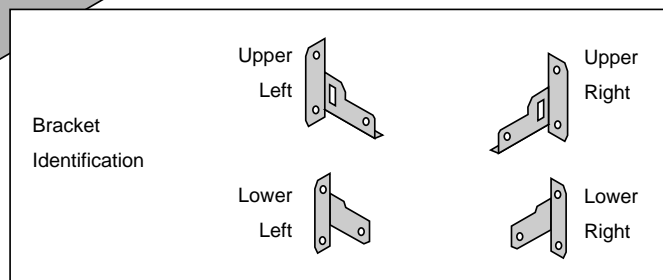
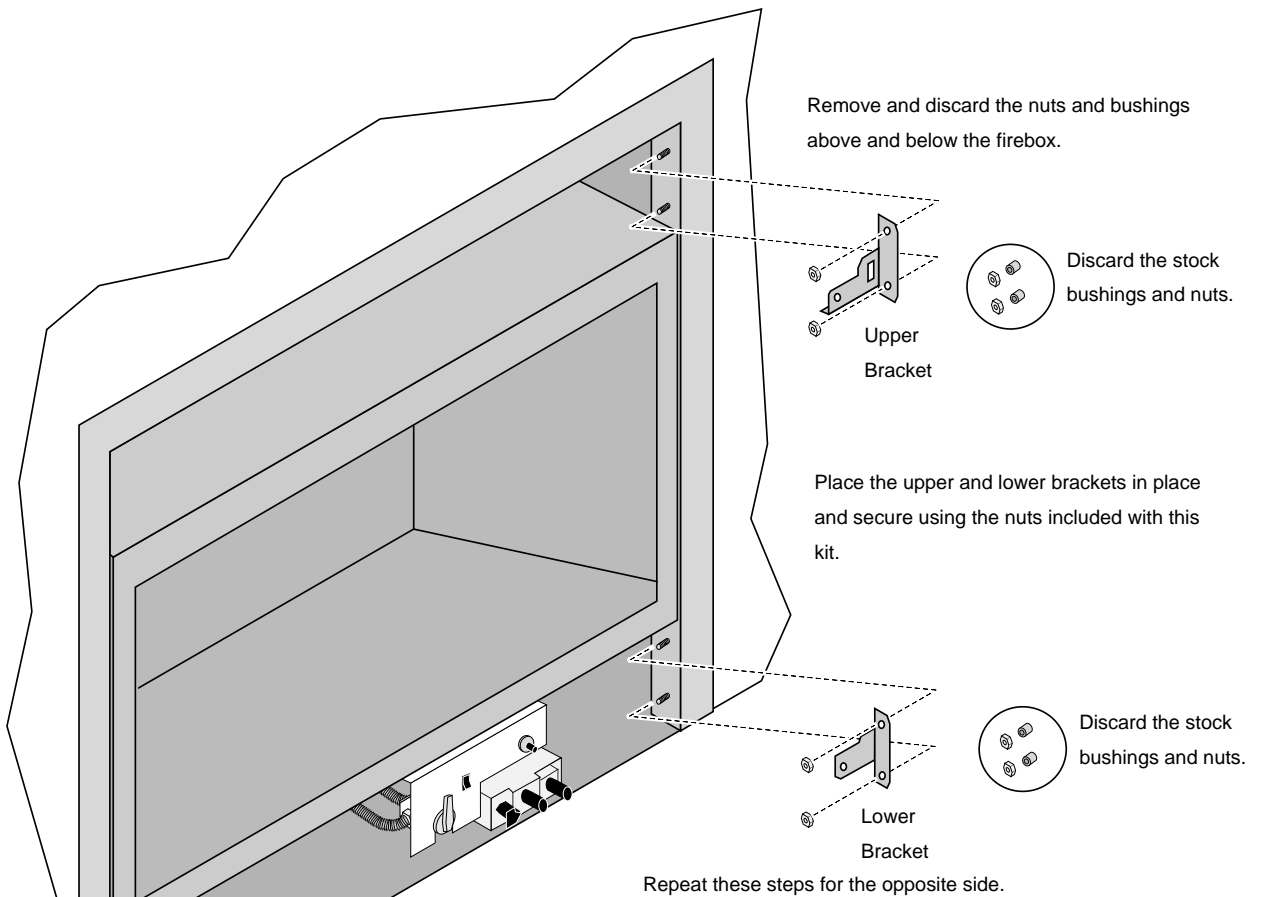
- Tiling guide (2 pieces - left and right)
- (4) Mounting Brackets (attaches to the fireplace)
- (4) Screws
- (8) 8-32 Keps Nuts



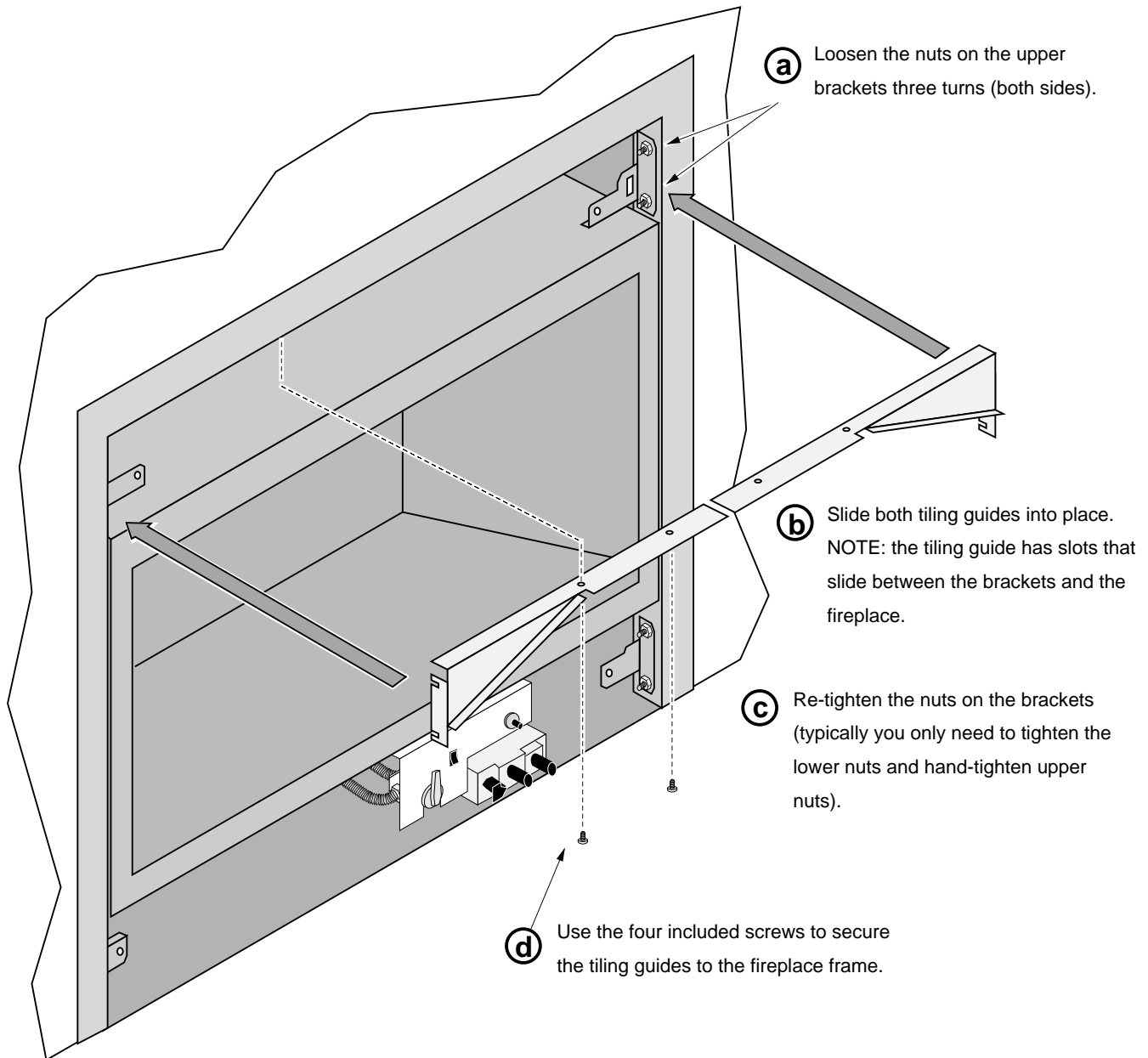
This upgrade kit (98500683) must be installed prior to installing the facing material or face.

Installation

- 1 Attach the brackets to the fireplace following the directions below.



- 2 Attach the tiling guide following the directions below.



Free Manuals Download Website

<http://myh66.com>

<http://usermanuals.us>

<http://www.somanuals.com>

<http://www.4manuals.cc>

<http://www.manual-lib.com>

<http://www.404manual.com>

<http://www.luxmanual.com>

<http://aubethermostatmanual.com>

Golf course search by state

<http://golfingnear.com>

Email search by domain

<http://emailbydomain.com>

Auto manuals search

<http://auto.somanuals.com>

TV manuals search

<http://tv.somanuals.com>