

Wood Burning Fireplaces



fireplace**xtrordinaire**[™]
REDISCOVER FIRE



This beautiful stone fireplace features the Fireplace Xtrordinair 44 Elite with the Hand Crafted Artisan™ Double door and Face.

The Ultimate Wood Burning Fireplace

The Original Arched Fireplace™

Fireplace Xtrordinair (sometimes called the FPX) the “Original Arched Fireplace”, introduced the trademark product shape of the parallel arches, the arched viewing area and the parallel arched face over a decade ago. The unique design of the delicate lace pattern concealing the air intake and heat exchanger, and the arches have identified Fireplace Xtrordinair to thousands of discerning homeowners all over North America.

Nothing Matches A Real Log Fire

When you enter a home, what’s the one thing that makes you feel instantly welcomed and relaxed: the cheery crackle and dancing warm flames of a real log fire on the hearth.

The fireplace has always been the heart of the home. The mood it inspires sets the stage for all our fondest memories of romance, family sharing and festive gatherings around the fireplace. This wonderful ambience is threatened by society’s need for efficient use of fuel and a cleaner, healthier environment.

The fireplace of old, and most manufactured fireplaces, cannot meet these demands. Any heat generated by a traditional fireplace goes up the chimney and not into the home.

The solution is the Fireplace Xtrordinair Elite series of wood burning fireplaces. This state-of-the-art fireplace design, available in two different sized models, provides the warmth, romance and beauty of a traditional hearth without heat loss and air pollution. Our Elite fireplaces are installed as framed in, zero clearance fireplaces, and have an enviable overall efficiency rating up to 73%. Both models are certified by the EPA as a clean burning, environmentally responsible heating appliance.

The Furnace That Looks Like A Fireplace

The Elite series by Fireplace Xtrordinair is designed to maintain the aesthetic appeal of the fireplace while delivering up to 76,700 BTUs/hour, through a decorative grill built into the face design, framing the fire and enhancing your home decor. Other heat-circulating fireplaces require large unsightly louvers or highly visible vent boxes above the fireplace opening, sacrificing the traditional hearth look.

The entire Elite series features sleek lines and large glass doors for an expansive view of the fire. Add the optional black painted, nickel plated face or hand-hammered Artisan™ face and door for a dramatic flair. Only Fireplace Xtrordinair creates such a uniquely beautiful, versatile look in a high BTU output fireplace.

Home Air Recirculator

You also have the option to install the powerful blower within the home and use your Fireplace Xtrordinair as a Home Air Recirculator, that circulates heated air throughout the home.

No Fireplace Burns As Clean As Fireplace Xtrordinair

A source of heat for your home shouldn’t be a source of pollution for our environment. Fireplace Xtrordinair utilizes the latest catalytic technology to reduce emissions by 90% compared to conventional fireplaces. A catalytic combustor reduces the temperature at which smoke ignites, causing it to burn before it leaves the firebox. Unlike most fireplaces, the Fireplace Xtrordinair Elite series surpasses the EPA’s strict emissions standards for wood stoves - in fact, emissions are as low as 2.3 grams of particulates per hour for the Model 36 Elite and 2.5 grams for the Model 44 Elite!

Positive Pressure Heating System

One of the unique design features of Fireplace Xtrordinair’s Elite fireplaces is that you can use fresh air which is drawn from outside the home for both combustion and heat transfer through a unique concept called ‘Posi-Pressure’. Posi-Pressure technology draws outside air into the cavity around the fireplace, heats it, and circulates it throughout the home via a quiet, remote blower. The heated air naturally ‘seeks out’ and penetrates cold spaces, warming the entire home evenly while ‘sealing’ cracks, leaks and other drafty spots by preventing cold air infiltration.

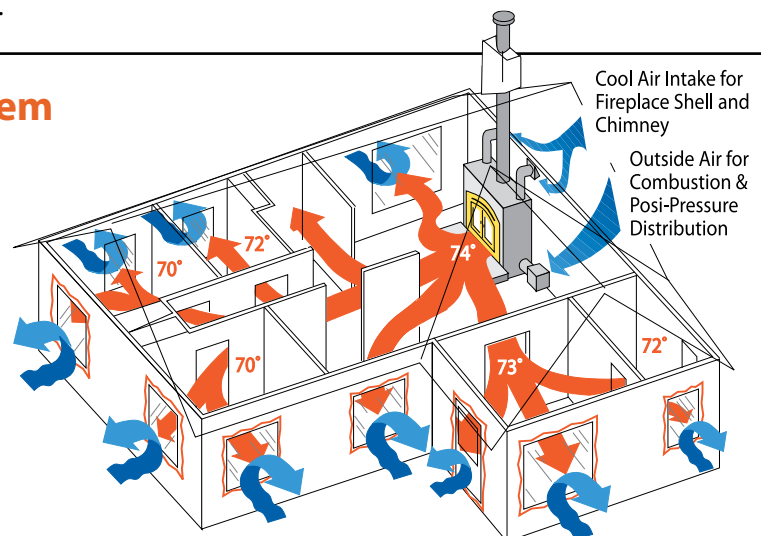


Illustration depicts typical heat distribution of heated air in a home. Heating capacity and room temperature may vary due to location of fireplace, degree of insulation, type of fuel and fuel moisture content.



The Model 36 Elite fireplace with black single door and face.



The Model 44 Elite fireplace, with black door and brushed nickel face.

Unmatched Beauty

The Fireplace Xtrordinair Elite series is designed to meet your architectural needs by blending with the interior of your home rather than looking like an add-on.

The double door style is a classic, equally at home in the country or when gracing a contemporary living room. This fireplace is flush to the wall, which saves valuable floor space in a room.

The traditional classic arch design accommodates standard brick dimensions without cutting and works equally well with stone, marble or tile for that custom touch.

The controls for fan, air adjustment and damper are subtly incorporated in the face of the unit itself for easy access.

The standard heat resistant finish for the doors and face is a rich metallic black. Your dealer can offer a wide assortment of decorator colors as well.

Upgrade your fireplace with elegant brushed nickel (face only) plating. The plated surface does not require polishing and will not discolor under normal operation.

The Artisan™ fireplace face design and craftsmanship is reminiscent of the iron work in the great lodges of Europe and America. The Artisan is hand-forged and hammered by master blacksmiths in Europe. Each fireplace face will bear unique subtle characteristics from the hands of its creator, making it a true work of art in iron. The Artisan in New Iron paint finish is available as a single door on the 36 Elite and as double doors on the 44 Elite fireplaces.

Another beautiful benefit of the Elite series is the size of the logs the unit can burn (up to 32" on model 44 Elite). The large capacity firebox features large doors that provide a huge unobstructed view of the beautiful, soothing flames.

WOOD LENGTHS	
Model 36 Elite	24"
Model 44 Elite	32"

Perhaps the most beautiful feature of the Fireplace Xtrordinair Elite series is its value. Despite the fact that the Elite line-up is constructed of superior components and features, and the performance ratings are superior to every other certified fireplace, the cost of the installed system is surprisingly competitive. The reason is simple, the air cooled chimney system approved for Fireplace Xtrordinair may cost 50% less than chimney systems required on other high heat output fireplaces. This dramatic breakthrough is due to the effectiveness of the unique heat exchange Posi-Pressure system. This system delivers most of the heat generated into the home rather than up the chimney.

Dollar for dollar, you will not find a better, more cost effective way to efficiently heat your home with wood!



Classic Arched black single door and face option for the 36 Elite



Classic Arched black double door and face option for the 36 and 44 Elite



ARTISAN™ Single Door Hand Hammered & Wrought Iron Face for the 36 Elite



ARTISAN™ Double Door Hand Hammered & Wrought Iron Face for the 44 Elite



Brushed Nickel Face option for the 36 and 44 Elite

Pre-Built Mantels

Beautiful hearth and mantel packages by J. C. Huffman™, Grand Mantel™ and Hearth Classic™ make a wonderful addition to any Fireplace Xtrordinair wood burning fireplace.

See your Fireplace Xtrordinair dealer for more information or go only online and visit these companies for a full description of their products.

www.jhuffman.com

www.grandmantel.com

www.hearthclassics.com



Looks Like A Fireplace, Heats Like A Furnace

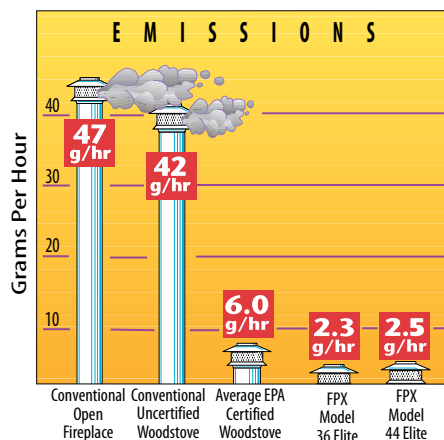
There has never been a fireplace made that compares to Fireplace Xtrordinair in all the performance categories, efficiency, emissions and BTU output. One of the most critical of all performance characteristics of any heating appliance is the **"overall efficiency"**. This important data tells you how much of the energy generated by combustion is turned into useful heat. The Fireplace Xtrordinair Model 36 Elite is rated by the Department of Environmental Quality (DEQ) in Oregon as having 73%. This is the highest rating ever achieved by a wood burning fireplace, in fact much higher than most E. P. A. certified wood stoves.

How The Fireplace Xtrordinair Works

A single air control (1) regulates the burn rate of the fireplace. As the fresh air is directed to the primary combustion zone of the fire, it is drawn evenly across the glass by a sophisticated air wash. (2) This air wash is designed to help keep the glass clean during higher operating settings.

An additional boost to the primary fire is achieved by air inlets (3) near the base of the huge firebox. This combined air entry allows for aggressive and easy to light fires.

There are two EPA approved methods for reducing emissions in certified wood burning appliances, one being non-catalytic High-Tech design, the other using catalytic combustors. The Fireplace Xtrordinair features catalytic Technology. The catalytic combustor (4) is a ceramic honeycombed block that is coated with a mixture of palladium and platinum.



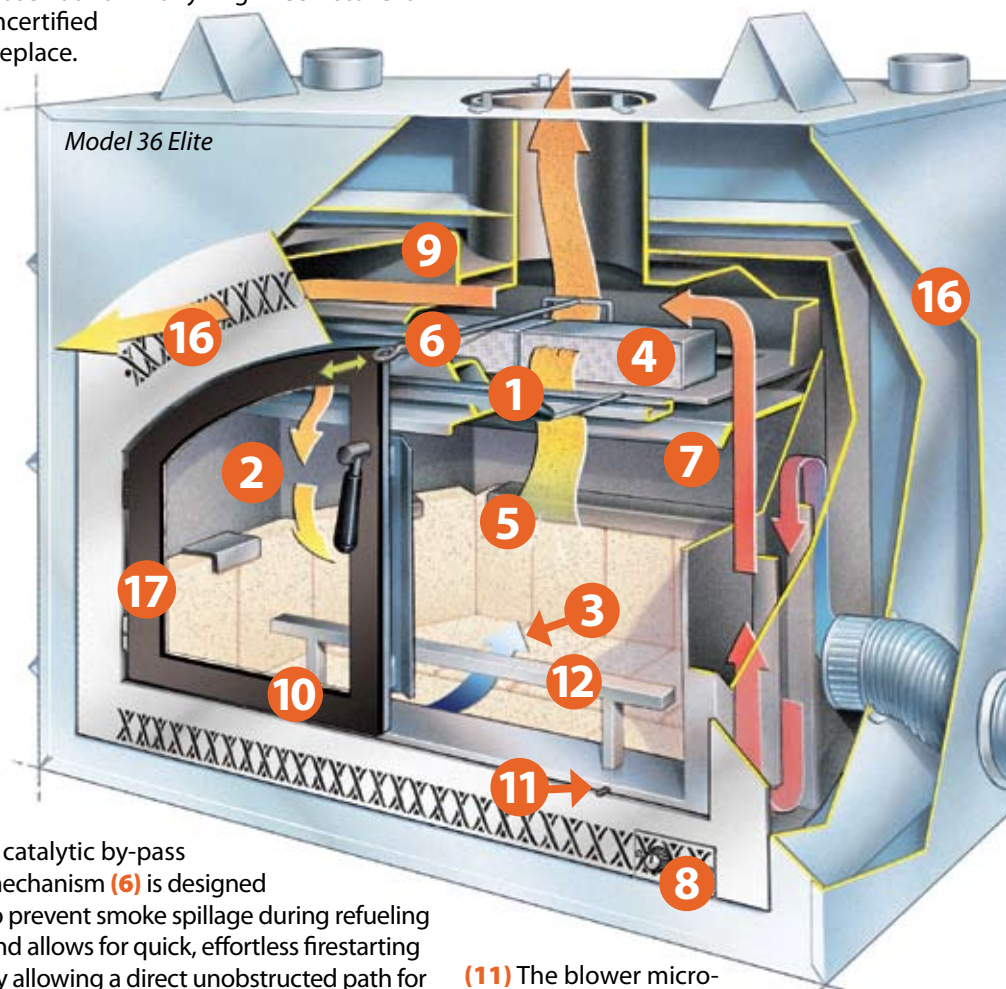
The combustor is designed to ignite any unburned volatile gases that would otherwise pass up the chimney as smoke. The catalyst in the combustor actually lowers the temperature at which gases burn, thus allowing the appliance to burn efficiently over the complete operating range.

The huge size of the refractory lined (5) firebox (4.3 cubic feet on model 44 Elite & 3.7 on the model 36 Elite), combines a large fuel load with the burn characteristics of the catalytic combustor for longer, more efficient burn times than those found in any High-Tech stove or uncertified fireplace.

(9) Heavy gauge, welded steel firebox construction and rigorous Underwriters Laboratory (UL) safety testing by Warnock Hersey insure complete peace of mind.

(10) Large double doors frame the largest ceramic viewing glass available in any heat producing fireplace.

Model 36 Elite Face Size: 28" x 36"
Model 44 Elite Face Size: 32" x 44"



A catalytic by-pass mechanism (6) is designed to prevent smoke spillage during refueling and allows for quick, effortless firestarting by allowing a direct unobstructed path for the flue gases during start-up.

The heavy baffle plates (7) increase the time the unburned gases stay in the firebox, allowing them, when mixed with fresh oxygen prior to entering the catalytic combustor, to increase efficiency and lower emissions.

(8) The variable speed blower control allows you to adjust the amount of heated air circulation your home requires.

(11) The blower micro-switch instantly turns off the blower system when you open the doors to prevent smoke-back into the room.

(12) The log retainer allows you the ability to load a large amount of wood without it rolling back out.

NOTE: If you purchase the single black door you will also receive the cast decorative andiron.

Highest BTU Output of Any Phase II Certified Fireplace

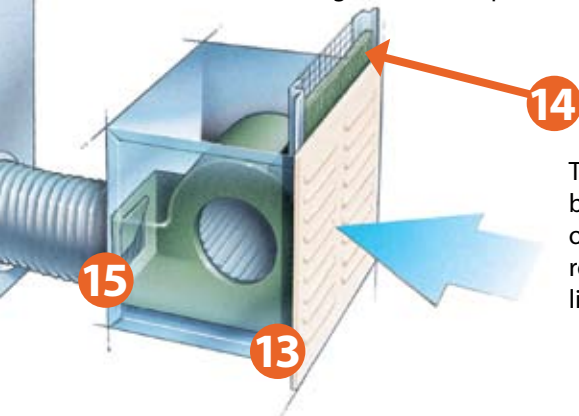
The Fireplace Xtrordinair Elite series of wood burning fireplaces is one of the cleanest burning and the highest BTU output appliances ever certified by the EPA.

The Posi-Pressure System

Fresh outside air is drawn through a remote, quiet 388 cfm blower (13) to pressurize the house, and provide outside air for combustion. A washable air filter (14) keeps incoming air clean. The barometric damper (15) prevents cold air transfer into the heat chamber when your fireplace is not in use. Outside air is circulated around the entire firebox (16) for maximum heat transfer before being directed through the decorative face outlets to pressurize your home with fresh heated air. The finish face (17) is removable and comes from the factory either nickel plated or with a black paint finish. Check with your dealer for custom paint colors they may offer.

All Models of the Fireplace Xtrordinair Elite Series Also Feature...

- Built-in thermodisc for automatic control of the blower.
- 8 foot electrical leads for the blower (8' extension with junction box).
- Mason's set-up face provided on the fireplace during installation to prevent damage to the decorative faceplate.
- 3 blower duct locations for a wide selection of blower installation options.
- Unit comes with universal chimney adaptor.
- Flex duct for blower included.
- Flex duct and cooling vents for fireplace included.



This quiet, remote 388 CFM blower enables practical use of the fireplace in the family room or the most formal living room.

Optional Door Firescreens

Love the sound and smell of an open wood fire? All Fireplace Xtrordinair Elite wood burning models have optional door firescreens available to allow the fireplace to be operated with the doors open. So now you can enjoy your wood burning fireplace year-round.

Testing

Fireplace Xtrordinair Models 36 Elite & 44 Elite are tested to U.L. 127, U.L. 1482 and U.L. 907 standards by Warnock Hersey Professional Services, LTD. I.C.B.O. #NER-219.

Tested and certified to E.P.A. Phase II by Omni Testing Labs.

Features & Specifications

	Model 36 Elite	Model 44 Elite
EPA Phase II Approved	YES	YES
Overall Efficiency*	73%	72%
Heating Capacity	Up to 2,500 Sq./Ft.	Up to 3,000 Sq./Ft.
Emissions**	2.3 Grams/Hour	2.5 Grams/Hour
Maximum Burn Time [^]	10 Hours	12 Hours
Flue	8" Opening I.D.	8" Opening I.D.
Overall Width†	42"	49"
Overall Depth	27"	27"
Firebox Capacity	3.7 Cubic Feet	4.3 Cubic Feet
Wood Size	24"	32"
BTU Output Cordwood	10,300 to 66,000	10,700 to 76,700

*DEQ Method **EPA Method †Not Including Faceplate

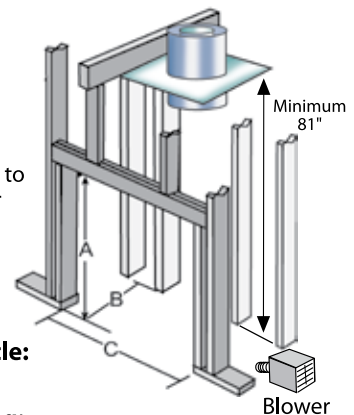
[^] Emissions, Efficiency, Heating Capacity and Burn Time may vary depending on actual home floor plan, type of fuel used, and moisture content. Emissions numbers are those that have been certified by the U.S. E.P.A. BTU output based on burning cordwood. Efficiency numbers are based on Oregon Dept. of Environmental quality test standards.

Framing Specifications

Please consult your Owner's Manual for Framing Specs.

	36 Elite	44 Elite
A =	45 1/2"	50 1/2"
B =	26"	26"
C =	43"	50"

NOTE: Make sure the enclosure is wide enough to accommodate the blower (see Owner's Manual for details).



Clearance Specifications

To Combustible Mantle:

23" from fireplace face.

To Combustible Facing:

Top Facing 12" - Side Facing 2 1/2" from fireplace face.

Hearth:

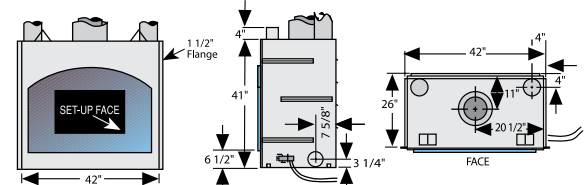
Requires a 20" non-combustible hearth.

Approved Air-Cooled Chimney:

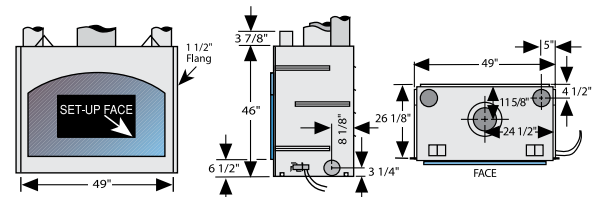
FMI 8DM & Firecraft FTF8A

Improper installation of your wood burning fireplace or failure to operate it according to the guidelines detailed in the Owner's Manual, may negate your warranty and endanger your home and family. Contact your local building or fire officials about restrictions and installation requirements in your area.

Model 36 Elite Dimensions



Model 44 Elite Dimensions



Warranty

Your wood burning fireplace is backed by a network of Specialty Hearth Dealers and certified factory trained installers. Fireplace Xtrordinair warrants our products to be free from defects in material and workmanship for a period of 7 years from date of purchase. All parts, electronics, and labor are covered for a full 2 years. No other manufacturer's warranty can compare.

Additional Fireplace Xtrordinair Products

If you are in the market for other hearth products, Fireplace Xtrordinair manufactures a full line of gas burning fireplaces, electric fireplaces and gas and wood burning fireplace inserts.



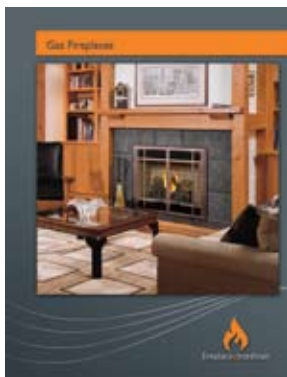
Electric Fireplaces

The Fireplace Xtrordinair 564 E Electric Fireplace offers the convenience of adding a fireplace to any room within your home. With no venting required, installation can be completed in as little as one hour. The 564 E offers a selection of finish faces to match any home decor.



Clean Face Gas Fireplaces

If you are interested in the latest trend in fireplace design, Fireplace Xtrordinair's Revolution™ Clean Face fireplace offers the look of a traditional open fireplace without grills or louvers. These fireplaces operate with the efficiencies and performance of a gas furnace.



Gas Fireplaces

Fireplace Xtrordinair offers a complete line of heater rated gas fireplaces in both landscape and portrait-style designs. There are Fireplace Xtrordinair gas fireplaces in many sizes and and for every heating need.



Gas & Wood Inserts

Turn your old, open masonry or metal (zero clearance) fireplace into a clean, efficient source of heat for your home. Fireplace Xtrordinair offers a complete line-up of heater rated wood and gas inserts to fit virtually any existing fireplace.



See our complete line of fireplaces
Visit us online: www.fireplacex.com

Photos and illustrations are for descriptive purposes only. We reserve the right to improve or change our products without prior notification. Trademarks belong to Travis Industries, Inc. Consult the Owner's Manual for complete installation requirements.
© Copyright T. I. 2008/09 - Printed in the U. S. A.

Download from Www.Somanuals.com. All Manuals Search And Download.

98800160

Free Manuals Download Website

<http://myh66.com>

<http://usermanuals.us>

<http://www.somanuals.com>

<http://www.4manuals.cc>

<http://www.manual-lib.com>

<http://www.404manual.com>

<http://www.luxmanual.com>

<http://aubethermostatmanual.com>

Golf course search by state

<http://golfingnear.com>

Email search by domain

<http://emailbydomain.com>

Auto manuals search

<http://auto.somanuals.com>

TV manuals search

<http://tv.somanuals.com>