



FMI PRODUCTS, LLC
REPLACEMENT LOG SET
INSTALLATION INSTRUCTIONS

FOR BTB18, BTB24, PDG18 AND PDG24 GAS LOG HEATERS

⚠ WARNING: If log set has been in use, make sure control knob is in the OFF position, unit is cold and gas has been turned off.

- Place new log set assembly over chassis and align holes on bracket with holes on chassis (see Figure 2).
- Replace six screws removed in step 1.

Part No.	Description	Qty.
111835-01	Replacement Log Set 18" - BTB18	1
111834-01	Replacement Log Set 18" - PDG18	1
111827-01	Replacement Log Set 24" - BTB24	1
111802-01	Replacement Log Set 24" - PDG24	1
111817-08	Flex Tube	1
111824-01	Compression Nut/Sleeve	2

Your replacement kit will contain only one log set assembly depending on your model. If there is a problem with your replacement log set contact the authorized dealer where you bought the set or FMI PRODUCTS, LLC at 1-866-4537.

Items Needed for Installation:

- 5/16" Hex Socket Wrench or Nut Driver
- Phillips Screwdriver
- 5/8" Wrench or Adjustable Wrench

- Remove six screws from sides of log set assembly (three on each side). Remove log set assembly (see Figure 1). Do not pull on log assembly to remove. Work log set off chassis by manipulating metal base.
- 18" models only:** Disconnect flexible gas line from valve and burner (see Figure 1). Discard flex line.

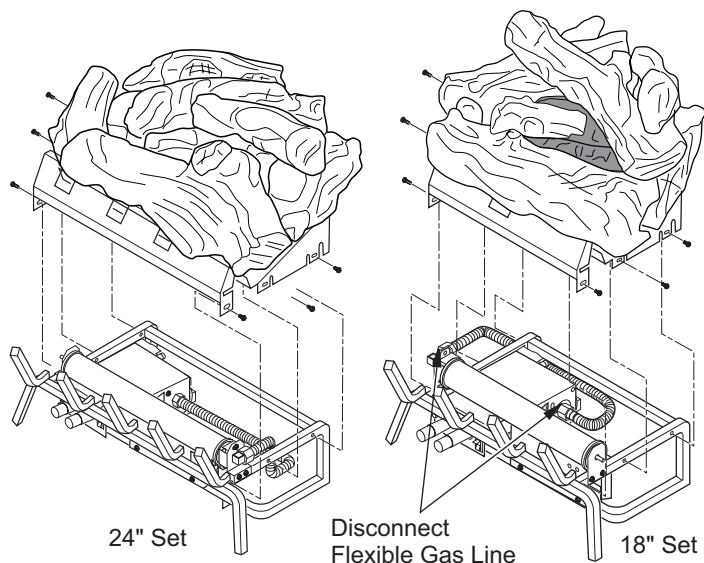


Figure 1 - Removing Log Set

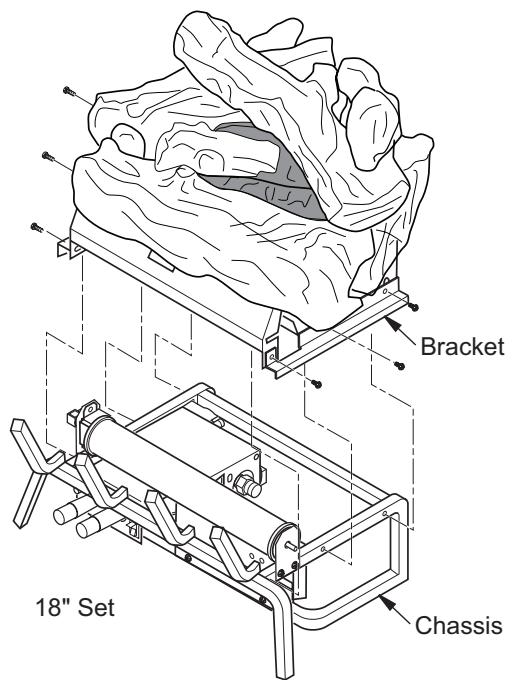
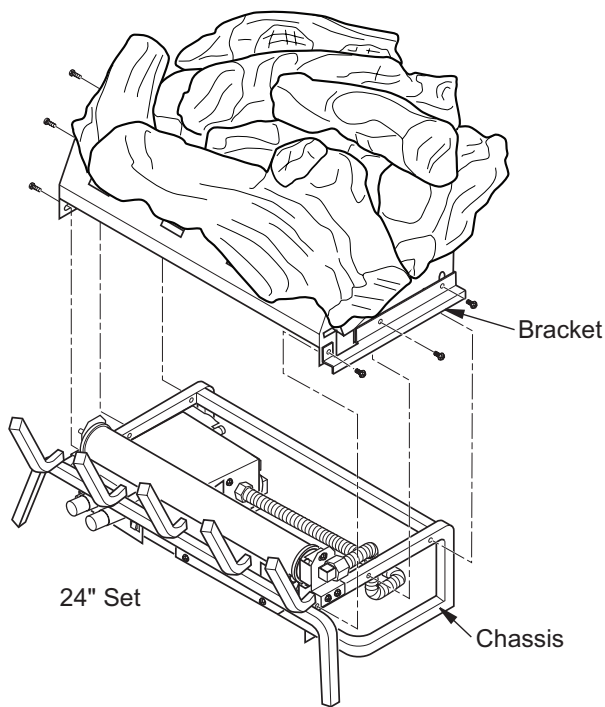
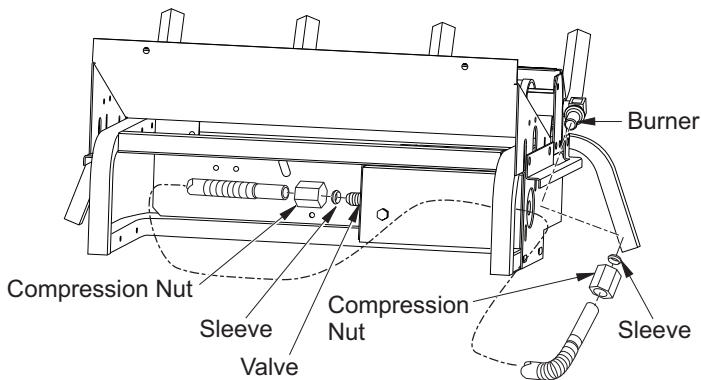


Figure 2 - Installing Replacement Log Set

Save these instructions for future reference

5. **18" Models Only:** To assemble nex flex line, insert flex tube into end of compression nut with small opening. Place sleeve over end of flex tube and into compression nut. Repeat for other end. Attach new flexible gas line to valve and burner routed through grate as shown in Figure 3. It is very important that you route the flex line through the back leg on the grate. It could interfere with placement in fireplace if routed around leg.



**Figure 3 - Routing and Installing Flexible Gas Line for 18" Models
(Log Set Not Shown For Clarity)**

Checking Gas Connections

⚠ WARNING: Test all gas piping and connections, internal and external to unit, for leaks after installing or servicing. Correct all leaks at once.

⚠ WARNING: Never use an open flame to check for a leak. Apply a noncorrosive leak detection fluid to all joints. Bubbles forming show a leak. Correct all leaks at once.

See your owner's manual for complete instructions on checking your gas connections.



FMI PRODUCTS, LLC
2701 S. Harbor Blvd.
Santa Ana, CA 92704
1-866-328-4537
www.fmiproducts.com

118843-01
REV. B
02/11

Free Manuals Download Website

<http://myh66.com>

<http://usermanuals.us>

<http://www.somanuals.com>

<http://www.4manuals.cc>

<http://www.manual-lib.com>

<http://www.404manual.com>

<http://www.luxmanual.com>

<http://aubethermostatmanual.com>

Golf course search by state

<http://golfingnear.com>

Email search by domain

<http://emailbydomain.com>

Auto manuals search

<http://auto.somanuals.com>

TV manuals search

<http://tv.somanuals.com>