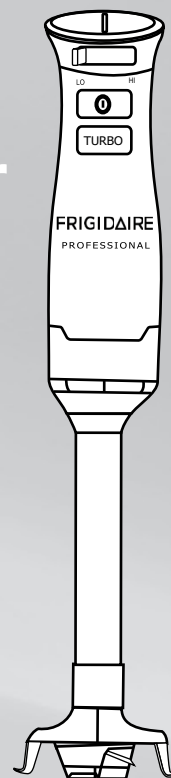


# FRIGIDAIRE®

All about the

# Use & Care

of your Immersion Blender



## TABLE OF CONTENTS

Important Safeguards.....	2	Problem Solving/Recipes.....	7
Parts and Features.....	3	Warranty Information.....	8
Prior to Using your Blender.....	4	Spanish User's Manual.....	9-15
How to Assemble your Blender.....	5	French User's Manual.....	16-22
Cleaning your Blender.....	6		

900253211-UM (February 2012)

USA 1-888-845-7330

Download from [www.somanuals.com](http://www.somanuals.com). All Manuals Search And Download.

# IMPORTANT SAFEGUARDS

When using electrical appliances, basic safety precautions should always be followed, including the items listed below:

1. Read all instructions.
2. Avoid contact with moving parts.
3. To protect against electric shock, do not place cord, plugs, or motor body in water or other liquid.
4. This appliance should not be used by children, and care should be taken when using it near children.
5. Do not operate this appliance with a damaged cord or plug, or after the appliance malfunctions, or if it is dropped or damaged in any manner. Return the appliance to the nearest authorized dealer for inspection, repair or electrical or mechanical adjustment.
6. Do not use outdoors.
7. Do not let the cord touch hot surfaces, including the stove.
8. Do not let it hang over the edge of a table or counter where it can be pulled on by children or tripped over unintentionally.
9. Do not use this appliance for any purpose other than its intended use.
10. Be sure to lock the chopper blade and chopper in position before engaging in operation.
11. Use of any attachment not recommended or sold by the manufacturer may cause fire, electric shock, or injury.
12. To disconnect the blender, press the **OFF** button. Unplug by grasping the plug and pulling from the outlet. Never unplug it by pulling the cord.
13. Do not remove any attachment from the motor unit while the unit is running.
14. **BLADES ARE SHARP. HANDLE CAREFULLY.**
15. Keep hands and utensils out of container while chopping food to reduce the risk of severe injury to persons, or damage the food chopper. A scraper may be used, but only when the food chopper is not running.
16. Do not place the unit near any hot surface, range, or electrical burners, or where it could touch any other source of heat.
17. When mixing liquids, especially hot liquids, use a tall container, or make small quantities at a time to reduce spillage.
18. Do not attempt to defeat the cover interlock mechanics.

## SAVE THESE INSTRUCTIONS

### Consumer Safety Information

#### THIS UNIT IS FOR HOUSEHOLD USE ONLY

This appliance has a polarized plug (one blade is wider than the other). To reduce the risk of electric shock, the plug will fit in a polarized outlet only one way. If the plug does not fully fit the outlet, reverse the plug and reinsert. If it still doesn't fit, contact a qualified electrician. Do not modify the plug in any way.



#### CAUTION

Your immersion blender is equipped with a power supply cord as a safety precaution to prevent personal injury or property damage resulting from pulling, tripping or becoming entangled with a longer cord. Do not allow children to use or be near the blender without adult supervision. If an extension cord is used, (1) the marked electrical rating of the extension cord should be at least as great as the electrical rating of the appliance, (2) the cord should not drape over the countertop where it can be pulled on by children or tripped over, (3) if the appliance is of the grounded type, the extension cord should be a grounded 3-wire cord.



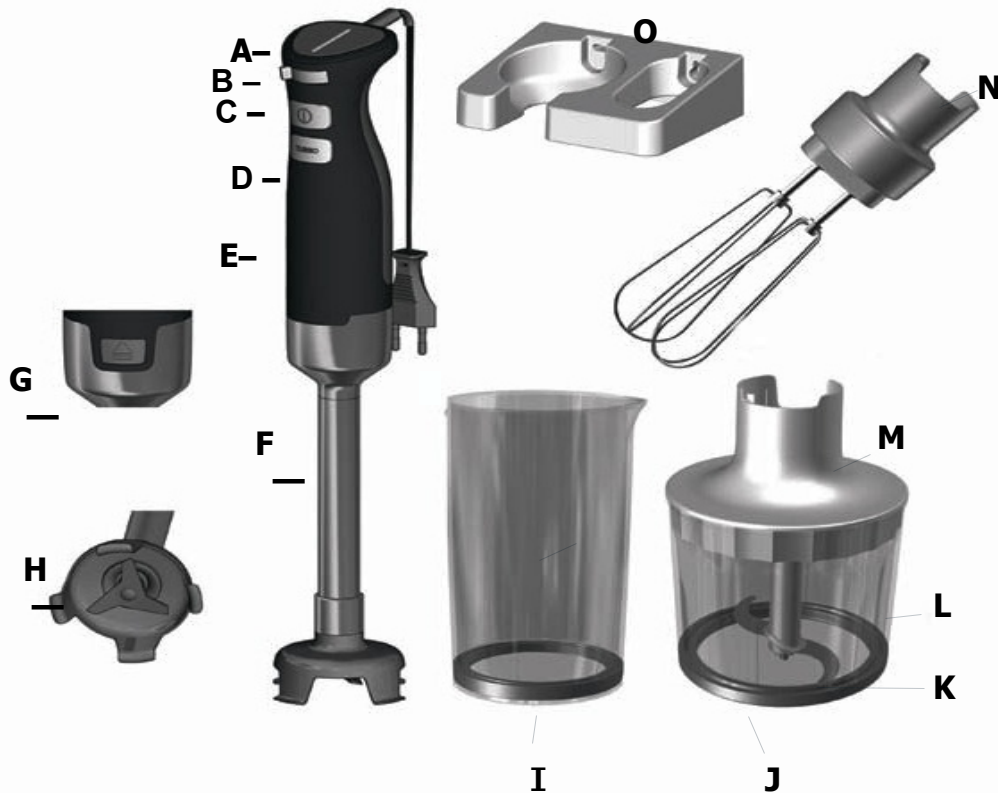
#### CAUTION

#### ELECTRICAL SHOCK HAZARD

Plug the unit into a properly grounded electrical outlet.

Failure to follow these instructions can result in death, fire, or electrical shock.

# PARTS AND FEATURES



- A. LED Light Speed Indicator**
- B. Speed Selector**
- C. Power Button**
- D. Turbo Button**
- E. Handheld Part**
- F. Metal Mixing Foot**
- G. Release Button**
- H. Mixing Knife**
- I. Beaker\***
- J. Mini Chopper and Beaker Anti-Slip Device\***
- K. Chopper Bowl Knife\***
- L. Chopper Bowl\***
- M. Chopper Bowl Lid\***
- N. Professional Double Whisk\***
- O. Wall Mounting with Cord Storage and Screws\***
- P. Power Cord**

**\*certain models**

## **Product Specifications**

Model: FPIB10B7NS  
Voltage: 120V~  
Wattage: 200 Watts  
Hertz: 60Hz

Made in China

# PRIOR TO USE YOUR IMMERSION BLENDER



## CAUTION

Unpack carefully. **BLADES ARE SHARP!**

1. **Carefully unpack** the contents from the box. Check to make sure all pieces (as shown on page 4) are accounted for and that the blender appears to be free of any physical damage. If you discover any damage or missing parts, please contact our customer service department at 1-888-845-7330 prior to plugging in the unit.
2. **Remove any packing** material from the immersion blender. Make sure blender is free of all material.
3. **Place the immersion** blender on a countertop or table.
4. **Before first use**, be sure to clean the mixing foot and let it dry. Before inserting or removing the mixing foot, remove the plug from the power outlet.
5. **Connect the handheld** part to the mixing foot and lock into position. To remove, press the release button and pull off the foot.
6. **Select the speed** by moving the sliding speed selector. Press the power button to start mixing. Press the turbo button for the highest speed. The LED will indicate the mixing speed.



# HOW TO ASSEMBLE YOUR IMMERSION BLENDER

## ! CAUTION

**Blades are very sharp. Avoid handling the power blades with your fingers.**

1. Insert the immersion blender deep into the beaker. Begin mixing at normal speed. Make sure the beaker is no more than  $\frac{2}{3}$  full. If you aren't using the beaker, do not immerse the mixing foot more than  $\frac{2}{3}$  of its length. Move the blender around to insure best results with the food. Release the switch to stop blending.



2. To use the mini-chopper, place the chopper bowl on a clean and level surface. Put the stainless steel blade into place.



3. Place food into the chopper bowl. (The chopper works well for herbs, nuts, and some vegetables). The maximum amount of food to be chopped cannot exceed  $\frac{1}{2}$  pound. Close the lid.



4. Insert the handheld part into the chopper's lid and lock it into position. Plug the cord into the power outlet, select the speed, and press the power button to start. Remove the handheld part by pressing the release button. The blender can be used continuously for up to 30 seconds. Afterwards, allow the blender to cool down for 1 minute.



5. To work with the double whisk, attach the whisk to the handheld part and lock into place. To disassemble, press the release button and pull the whisks off. The appliance can be used continuously for 30 seconds, then cool for one minute. (The whisk attachment works well for whipping egg whites and whipping cream).



6. To store your blender, use the wall mounting device. Drill two holes into the wall, insert the two plastic tubes, then secure the device with two screws.



# CLEANING YOUR IMMERSION BLENDER

## IMPORTANT

Unplug the immersion blender from the electrical outlet before cleaning.

Washing the mixed foot in the dishwasher is not recommended. If you do use the dishwasher, be sure to place the foot with the blades up, so that any trapped water runs out.

2. When detached from the blender, the beaker and the whisks can be washed in the dishwasher.

3. Wipe the blender handle with a damp cloth and dry thoroughly. Never immerse the handle in water due to risk of electric shock.



## PROBLEM SOLVING/RECIPES

Problem	Solution
The mini Chopper* does not work.	Make sure the lid and the chopper bowl are properly assembled.
The mixing foot does not work.	Make sure to lock the mixing foot into position

\*Depending on the model

### Blending Quantities and Processing Times

Recipe	Ingredients	Quantity	Time	Speed
Pineapple Apric Smoothie	Pineapple in slices	250 grams (9 oz.)	60 seconds	Turbo
	Dried apricots	40 grams (1½ oz.)		
	Yogurt	300 grams (10½ oz.)		
Raspberry Smoothie	Frozen raspberries	250 grams (9 oz.)	60 seconds	Turbo
	Banana	½" pieces		
	Water	100 grams (3½ oz.)		
	Fine (caster) sugar	1 Tablespoon		
	Yogurt	300 grams (10½ oz.)		

### Chopping Quantities and Processing Times

Ingredients	Quantity	Time	Speed
Carro	100-200 grams (3½ -7 oz.)	5-10 seconds	Turbo
Onions	100-200 grams (3½ -7 oz.)	5-10 seconds	Turbo
Nuts	100-200 grams (3½ -7 oz.)	5-10 seconds	Turbo
Meat	100-200 grams (3½ -7 oz.)	10-20 seconds	Turbo
Ice	100-200 grams (3½ -7 oz.)	10 pulses ON for 2 seconds	Turbo

### Whisking/Whipping Quantities and Processing Times

Ingredients	Quantity	Time	Speed
Cream	500 grams (17½ oz.)	50-70 seconds	Turbo
Egg Whites	4 units	60 seconds	Turbo

# SMALL DOMESTIC APPLIANCES WARRANTY

Your appliance is covered by a one-year limited warranty. For one year from your original date of purchase, Electrolux will pay all costs for repairing or replacing any parts of this appliance that prove to be defective in materials or workmanship when such appliance is installed, used and maintained in accordance with the provided instructions.

**Exclusions** This warranty does not cover the following:

1. Products with original serial numbers that have been removed, altered or cannot be readily determined.
2. Product that has been transferred from its original owner to another party or removed outside the USA or Canada.
3. Rust on the interior or exterior of the unit.
4. Products purchased "as-is" are not covered by this warranty.
5. Food loss due to any refrigerator or freezer failures.
6. Products used in a commercial setting.
7. Service calls which do not involve malfunction or defects in materials or workmanship, or for appliances not in ordinary household use or used other than in accordance with the provided instructions.
8. Service calls to correct the installation of your appliance or to instruct you how to use your appliance.
9. Expenses for making the appliance accessible for servicing, such as removal of trim, cupboards, or knobs, handles, or other cosmetic parts.
10. Surcharges including, but not limited to, any after hour, weekend, or holiday service calls, tolls, ferry trip charges, or mileage expense for service calls to remote areas, including the state of Alaska.
11. Damages to the finish of appliance or home incurred during installation, including but not limited to floors, cabinets, walls, etc.
12. Damages caused by: services performed by unauthorized service companies; use of parts other than genuine Electrolux parts or parts obtained from persons other than authorized service companies; or external causes such as abuse, misuse, inadequate power supply, accidents, fires, or acts of God.

#### **DISCLAIMER OF IMPLIED WARRANTIES; LIMITATION OF REMEDIES**

Customer's sole and exclusive remedy under this limited warranty shall be product repair or replacement as provided herein. Claims based on implied warranties, including warranties or merchantability or fitness for a particular purpose, are limited to one year or the shortest period allowed by law, but not less than one year. Electrolux shall not be liable for consequential or incidental damages such as property damage and incidental expenses resulting from any breach of the written limited warranty or any implied warranty. Some states and provinces do not allow the exclusion or limitations on the duration of implied warranties, so these limitations or exclusions may not apply to you. This written warranty gives you specific legal rights. You may also have other rights that vary from state to state.

#### **If you need service:**

**Keep your receipt, delivery slip, or some other appropriate payment record to establish the warranty period should service be required. If service is performed, it is in your best interest to obtain and keep all receipts. Service under this warranty must be obtained by contacting Electrolux at the addresses or phone numbers below. Any servicing should be performed by an authorized service representative.**

**This warranty only applies in the USA and Canada. In the USA, your appliance is warranted by Electrolux Major Appliances North America, a division of Electrolux Home Products, Inc. In Canada, your appliance is warranted by Electrolux Canada Corp. Electrolux authorizes no person to change or add to any obligations under this warranty. Obligations for service and parts under this warranty must be performed by Electrolux or an authorized service company. Product features or specifications as described or illustrated are subject to change without notice.**

USA  
1-888-845-7330  
Electrolux Home Products  
10200 David Taylor Dr  
Charlotte, NC 28262



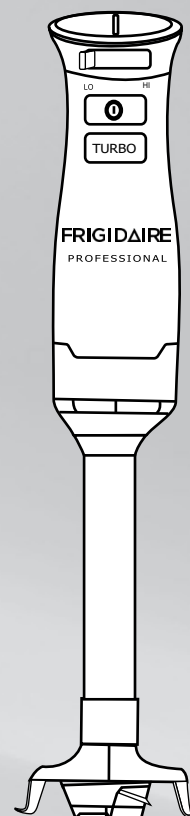


# FRIGIDAIRE®

Todo acerca del

# Uso y Cuidado

De su  
Licuadora de Inmersión



## INDICE

Precauciones Importantes.....	9	Solución de Problemas/ Recetas.....	14
Piezas y Funciones.....	10	Información sobre la Garantía.....	15
Antes de Utilizar su Licuadora de Inmersión.....	11		
Cómo instalar su Licuadora de Inmersión.....	12		
Limpieza de su Licuadora de Inmersión.....	13		

90025321-1-UM (February 2012)

# PRECAUCIONES IMPORTANTES

Cuando se usan aparatos eléctricos siempre se deben tomar precauciones básicas, incluyendo las siguientes:

1. Lea todas las instrucciones.
2. Evite contacto con piezas móviles.
3. Para protegerse contra los choques eléctricos, no coloque el cable eléctrico, o la base de motor dentro del agua u otro líquido.
4. Es necesario ejercer una atenta supervisión cuando cualquier aparato electrodoméstico se usado por o cerca de los niños.
5. No haga funcionar ningún aparato electrodoméstico con un cable o enchufe deteriorados, ni después de un mal funcionamiento del aparato, ni de que se caiga o estropee de alguna manera. Devuelva el electrodoméstico al centro de servicio autorizado mas cercano para su inspección, reparación o ajuste eléctrico o mecánico.
6. No lo use en exteriores.
7. No permita que el cable toque superficies calientes, incluyendo la estufa.
8. No permita que el cable toque superficies calientes, incluyendo la estufa, ni que cuelgue sobre el borde de la mesa o del mostrador donde pueda ser jalado por los niños o involuntariamente.
9. No use este electrodoméstico para ningún otro objetivo de no sea el uso previsto.
10. Asegúrese de cerrar la hoja de helicóptero y helicóptero en posición antes de entrar en operación.
11. El uso de accesorios no recomendados por el fabricante puede causar incendios, choques eléctricos o lesiones.
12. Para desconectar el mezclador de la inmersión, pulse el botón OFF para asegurarse de que el equipo está apagado. A continuación, desconecte el enchufe de la pared. No tire nunca del cable.
13. No quite ningún archivo adjunto de la unidad de motor, mientras que la unidad está funcionando.
14. **LAS CUCHILLAS SON FILOSAS MANEJAR CON CUIDADO.**
15. Mantenga las manos y utensilios del lejos del contenedor mientras desmenuza fin de reducir el riesgo de lesiones severas a las personas, o daños al electrodoméstico. Si puede usar una espátula pero solo cuando la unidad este apagada
16. No coloque la unidad cerca de una superficie caliente, estufa, o quemadores eléctricos, o donde se podría tocar cualquier fuente de calor.
17. Cuando se mezcla líquidos, especialmente líquidos calientes, utilizar un recipiente alto, o una mezcla de pequeñas cantidades a la vez con el fin de reducir los derrames.
18. No trate de alterar el mecanismo de conexión.

## GUARDE ESTA INSTRUCCIONES Instrucciones de Seguridad del Consumidor

**ESTA UNIDAD ES PARA USO DOMÉSTICO ÚNICAMENTE.**

Este aparato tiene un enchufe polarizado (uno de los contactos es más ancho que el otro). Para reducir el riesgo de descargas eléctricas, este enchufe encaja en un tomacorriente polarizado sólo de una manera. Si el enchufe no encaja bien en el tomacorriente, déle la vuelta al enchufe y reinsértelo. Si todavía no encaja, llame a un electricista calificado. No haga ningún cambio al enchufe.



## PRECAUCIÓN

Su licuadora está equipada con un cable corto de suministro de energía como medida de seguridad para evitar lesiones personales o daños a la propiedad a resultas de haberlo jalado, haberse tropezado o enredado con un cable más largo. No permita que los niños usen o estén cerca de este electrodoméstico sin la atenta supervisión de un adulto. Está disponible un cable de extensión y puede ser usado si se tiene cuidado durante su uso. Si se utiliza un cable de extensión, (1) la especificación eléctrica marcada en los cables o en el cable de extensión deberá ser al menos igual que la especificación eléctrica del electrodoméstico, (2) el cable deberá ser colocado de modo que no cuelgue sobre la superficie del mostrador o de la mesa, donde pueda ser jalado por los niños o se pueda tropezar con él involuntariamente, (3) si el electrodoméstico es del tipo de conexión a tierra, el cable de extensión deberá ser un cable de 3 hilos con conexión a



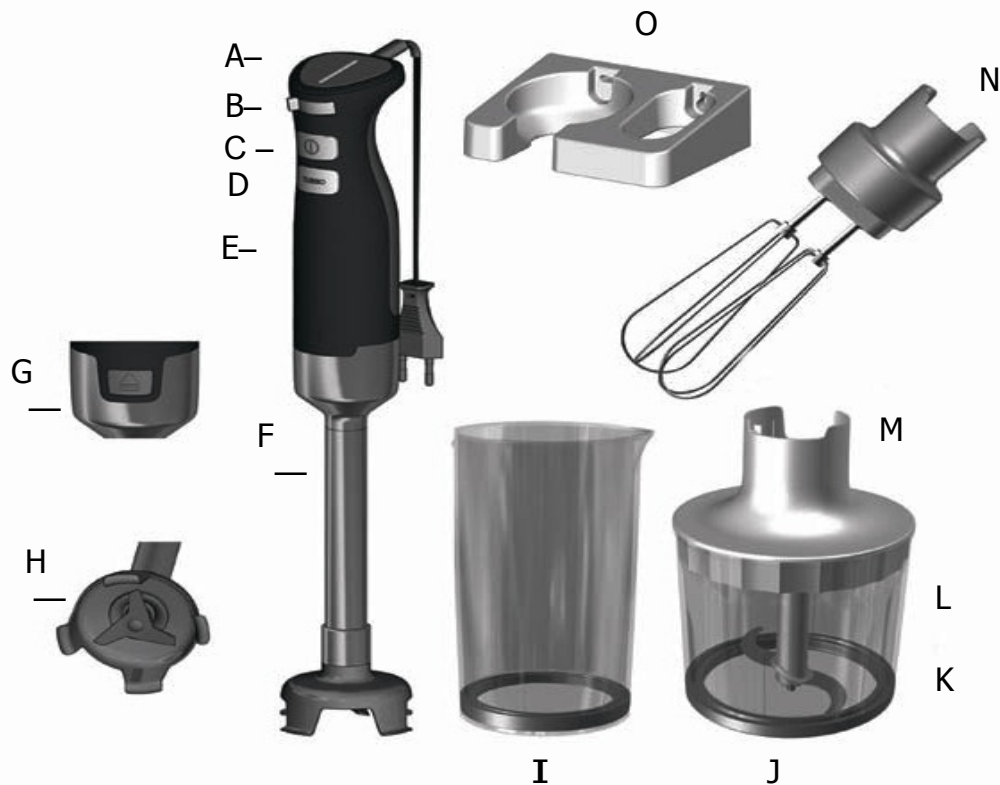
## PRECAUCIÓN

### RIESGO DE DESCARGA ELÉCTRICA

Conecte la unidad a una toma de tierra eléctrica.

El incumplimiento de estas instrucciones puede ocasionar la muerte, incendio o descargas eléctricas.

# COMPONENTES



- A. Indicador de velocidad con luz LED
- B. Selector de velocidad
- C. Botón de encendido
- D. Botón Turbo
- E. Mango
- F. Pie metálico
- G. Botón para desamar
- H. Cuchillo para mezclar
- I. Vaso\*
- J. Soporte antideslizante para la mini picadora y el vaso\*
- K. Cuchilla de accesorio picador\*
- L. Accesorio picador\*
- M. Tapa del accesorio picador\*
- N. Batidor doble profesional\*
- O. Montaje en pared con soporte para el cable y tornillos\*
- P. Cable de alimentación

\*Según el modelo

## ESPECIFICACIONES DEL PRODUCTO

Modelo: FPIB10B7NS  
Voltage: 120V~  
Potencia: 200 Watts  
Hertz: 60Hz

Producido en China

# ANTES DE USAR LICUADORA

## ! PRECAUCIÓN

Desembale con cuidado .LAS CUCHILLAS ESTÁN AFILADAS.

1. Desempaque cuidadosamente el contenido de la caja. Asegúrese de que todas las piezas (como se muestra en la página 4) se registran y que el mezclador de inmersión parece estar libre de daños físicos. Si usted descubre cualquier daño o faltan piezas por favor póngase en contacto con nuestro departamento de servicio al cliente 1-888-845-7330 antes de conectar la unidad.
2. Retire el material de embalaje de la licuadora de inmersión. Asegúrese de que la licuadora de inmersión este libre de todo material de embalaje.
3. Coloque la licuadora de inmersión en un mostrador o una mesa.
4. Antes del primer uso, lave todas las piezas y luego seque durante este proceso no conecte el aparato al tomador de corriente.



5. Conecte el bloque del motor en la base a el pie metálico. Para separarlos presione el botón de liberación y retire el pie metálico.



6. Seleccione la velocidad adecuado al mover el selector en marcha. Pulse el botón ON/OFF para empezar a mezclar. Para utilizar la velocidad máxima pulse el botón TURBO. La luz LED indica la velocidad de la mezcla.



# CÓMO INSTALAR UNA LICUADORA DE INMERSIÓN

## ! PRECAUCIÓN

Las cuchillas son muy afiladas. Evitar la manipulación de las hojas de poder con los dedos.

1. Meta la licuadora de inmersión en el fondo del vaso y empiece a batir a una velocidad normal. Asegúrese de que el vaso no se llena mas 2/3. Si no se utiliza el vaso, no sumerja el pie metálico mas de 2/3 de su longitud. Mueva la batidora ligeramente hacia arriba y hacia abajo para asegurar el mejor procesado del contenido. Suelte el interruptor para parar.



2. Uso de la mini picadora\* Coloque el accesorio picador en una superficie plana y limpia. Coloque la cuchilla de acero inoxidable en su lugar.



3. Coloque los alimentos en el plato helicóptero. (El helicóptero funciona bien para las hierbas, frutos secos y algunas verduras). La cantidad máxima de alimentos a ser cortada, no puede exceder de 1/2 libra. Cierre la tapa.



4. Introduzca la pieza empuñadura en la tapa del picador y ajústela. Enchufe en una toma de corriente, seleccione la velocidad y oprima el botón de encendido para comenzar. Suéltela hasta que se detenga. Quite la pieza de mano oprimiendo el botón para soltar. El aparato se puede utilizar de forma continua durante un máximo de 30 segundos. Luego espere a que enfrié durante 1 minuto.



5. Como trabajar con el batidor doble profesional. Para armar el batidor con la pieza de mano, conéctelos y ajústelos. Para desarmar, oprima el botón para desarmar y saque las espas del batidor. El aparato se puede utilizar de forma continua durante un máximo de 30 segundos. Luego espere a que se enfrié durante 1 minuto. (Una pala para batir funciona bien para batir claras de huevo y crema de leche).



6. Almacena miento para colocar el dispositivo en el montaje de pared taladre dos agujeros en la pared y asegure el aparato con dos tornillos.



# LIMPIEZA DE LA BATIDORA DE INMERSIÓN

## IMPORTANTES

Desconecte la licuadora de inmisión de la toma eléctrica antes de la limpieza.

1. No se recomienda lavar el pie metálico en el limpiador de vajilla. Sin embargo, si usted decide hacerlo colóquelo en posición vertical, con las cuchillas hacia arriba. ( para que permita escurrir el flujo de agua atrapada).



2. El vaso y las varillas sin el soporte plástico pueden lavarse en el limpiador de vajillas.



3. Desmunte el pie metálico, limpie con un paño húmedo y seque bien. Nunca sumerja en agua porque podría producir una descarga eléctrica.



## SOLUCIÓN DE PROBLEMAS/RECETAS

Problema	Solucion
La mini dezmuzadora no funciona. *	Asegúrese de que la tapa del recipiente y la cuchilla están bien ensambladas.
El pie de la batidora de mezcla no funciona.	Asegúrese de que el pie este conectado correctamente.

\* Dependiendo del modelo

### Cantidades y Tiempo de Procesamiento de la Mezcla

Receta	Ingredientes	Cantidades	Tiempo	Velocidad
Smoothie de pina e alperce	Rodajas de piña	250 grams (9 oz.)	60 segundos	Turbo
	Orejones secos	40 grams (1½ oz.)		
	Yogurt	300 grams (10½ oz.)		
Smoothie de frambuesas	Frambuesas congeladas	250 grams (9 oz.)	60 segundos	Turbo
	Banana	½" unidades		
	Agua	100 grams (3½ oz.)		
	Azucar refinada	1 Cucharada de piña		
	Yogurt	300 grams (10½ oz.)		

### Cantidades y Tiempo de Procesamiento para Picar

Ingredientes	Cantidades	Tiempo	Velocidad
Zanahorias	100-200 gr (3½ -7 oz.)	5-10 segundos	Turbo
Cebollas	100-200 gr (3½ -7 oz.)	5-10 segundos	Turbo
Frutas secas	100-200 gr (3½ -7 oz.)	5-10 segundos	Turbo
Carne	100-200 gr (3½ -7 oz.)	10-20 segundos	Turbo
Hielo	100-200 gr (3½ -7 oz.)	10 impulsos ON for 2 segundos	Turbo

### Cantidades y Tiempos de Procesamiento para Batir

Ingredientes	Cantidades	Tiempo	Velocidad
Natas/Cremas	500 grams (17½ oz.)	50-70 segundos	Turbo
Claros de heuvo	4 unidades	60 segundos	Turbo

# GARANTIA DE PEQUEÑOS ELECTRODOMESTICOS

Su electrodoméstico está cubierto por una garantía limitada de un año. Durante un año, a partir de la fecha original de su compra, Electrolux pagará todos los gastos por reparación o reemplazo de cualquier pieza de este electrodoméstico que resulte defectuosa tanto en material como en mano de obra, siempre y cuando tal electrodoméstico sea instalado, usado y mantenido de acuerdo con las instrucciones proporcionadas.

Exclusiones Esta garantía no cubre lo siguiente:

1. Los productos con números de serie originales que hayan sido quitados, cambiados o que no puedan ser fácilmente determinados.
2. El producto que haya sido transferido de su propietario original a otro o sacado de los EE.UU. o Canadá.
3. Oxidación en el interior o exterior de la unidad.
4. Los productos comprados "como están" no son cubiertos por esta garantía.
5. Pérdida de alimento debido a alguna falla de refrigerador o de congelador.
6. Los productos usados en un entorno comercial.
7. Las visitas de servicio técnico que no impliquen funcionamiento defectuoso o defectos en los materiales o mano de obra, o para electrodomésticos que no sean para uso doméstico ordinario o sean usados de otra forma que no sea conforme a las instrucciones proporcionadas.
8. Visitas de servicio técnico para corregir la instalación de su electrodoméstico o instruirle en cómo usar su electrodoméstico.
9. Los gastos para hacer accesible el electrodoméstico para su servicio, como el retiro de adornos, alacenas, anaqueles, etc., que no sean parte del electrodoméstico cuando es enviado de la fábrica.
10. Las visitas de servicio técnico para reparar o sustituir bombillas del electrodoméstico, filtros de aire, filtros de agua, otros bienes consumibles, o perillas, mangos, u otras partes cosméticas.
11. Los cargos extra que incluyan, entre otros, visitas de servicio técnico después de las horas de oficina, en fines de semana, o vacaciones, peajes, gastos de viaje en ferry, o gastos de kilometraje para visitas de servicio técnico a áreas remotas, incluyendo al estado de Alaska. Los daños al acabado del electrodoméstico o de la casa incurridos durante la instalación, incluyendo pero sin limitarse a, pisos, gabinetes, paredes, etc
12. Daños causados por: servicios realizados por compañías de servicio no autorizadas; uso de piezas que no sean Electrolux genuinas o piezas obtenidas de personas que no pertenezcan a compañías de servicio autorizadas; o causas externas como abuso, mal uso, suministro de energía inadecuado, accidentes, incendios, o casos de fuerza mayor.

## DESCARGO DE RESPONSABILIDAD DE GARANTÍAS IMPLÍCITAS; LIMITACIÓN DE COMPENSACIONES

LA ÚNICA Y EXCLUSIVA COMPENSACIÓN PARA EL CLIENTE CONFORME A ESTA GARANTÍA LIMITADA SERÁ LA REPARACIÓN O REEMPLAZO DEL PRODUCTO CONFORME ESTÁ PREVISTO AQUÍ. LOS RECLAMOS BASADOS EN GARANTÍAS IMPLÍCITAS, INCLUSIVE GARANTÍAS DE COMERCIABILIDAD O IDONEIDAD PARA UN DETERMINADO FIN, ESTÁN LIMITADOS A UN AÑO O AL PERIODO MÁS CORTO PERMITIDO POR LA LEY, PERO NO MENOR A UN AÑO. ELECTROLUX NO SERÁ RESPONSABLE POR LOS DAÑOS RESULTANTES O SECUNDARIOS, COMO SON DAÑOS A LA PROPIEDAD Y GASTOS DIVERSOS QUE RESULTEN DE ALGUNA VIOLACIÓN A ESTA GARANTÍA LIMITADA POR ESCRITO O DE NINGUNA GARANTÍA IMPLÍCITA. ALGUNOS ESTADOS Y PROVINCIAS NO PERMITEN LA EXCLUSIÓN O LIMITACIÓN DE DAÑOS SECUNDARIOS O RESULTANTES, O LIMITACIONES A LA DURACIÓN DE LAS GARANTÍAS IMPLÍCITAS, DE MODO QUE ES POSIBLE QUE ESTAS LIMITACIONES O EXCLUSIONES NO TENGAN VALIDEZ PARA USTED. ESTA GARANTÍA POR ESCRITO LE OTORGA DERECHOS LEGALES ESPECÍFICOS. ES POSIBLE QUE TAMBIÉN TENGA OTROS DERECHOS QUE VARÍAN DE ESTADO A ESTADO.

Si necesita servicio de mantenimiento:

Guarde su recibo, comprobante de entrega, o algún otro registro de pago correspondiente, a fin de establecer el periodo de garantía en caso de que requiera el servicio. Si se lleva a cabo un servicio, es por su bien obtener y guardar todos los recibos. El servicio conforme a esta garantía debe ser obtenido poniéndose en contacto con Electrolux en las direcciones o números de teléfono que se indican abajo. Cualquier reparación debe ser realizada por un representante de servicio autorizado.

Esta garantía tiene validez únicamente en los EE.UU. y Canadá. En los EE.UU., su electrodoméstico está garantizado por Electrolux Home Care Products, Inc. En Canadá, su electrodoméstico está garantizado por Electrolux Home Care Products Canada Corp. Electrolux no autoriza a ninguna persona a que cambie o añada ninguna obligación conforme a esta garantía. Las obligaciones para el servicio y reemplazo de piezas conforme a esta garantía deberán ser realizadas por Electrolux o por una compañía de servicio autorizada. Las funciones o especificaciones del producto según se describen o se ilustran están sujetas a cambio sin previo aviso.

USA  
1-888-845-7330  
Electrolux Home Products  
10200 David Taylor Drive  
Charlotte, NC



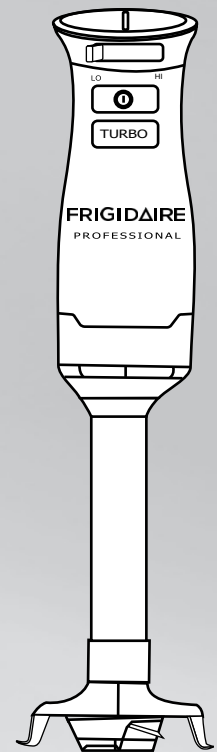


# FRIGIDAIRE®

Tout sur

## L'utilisation Et L'entretien

de votre mélangeur à  
immersion



### TABLE DES MATIÈRES

Importantes Mesures De Protection.....	16	Nettoyage de votre mélangeur a immersion.....	20
Pièces et caractéristiques.....	17	Dépannage/ Recettes.....	21
Avant d'utiliser votre mélangeur a immersion.....	18	Garantie de gros Appareils.....	22
Comment structurer votre mélangeur a immersion.....	19		

# IMPORTANTES MESURES DE PROTECTION

Lors de l'utilisation d'appareils électriques, des mesures de sécurité de base doivent toujours être suivies, incluant les suivantes.

1. Lisez toutes les instructions.
2. Éviter le contact avec les pièces mobiles.
3. Pour protéger contre les chocs électriques, ne placez pas le cordon, des fiches, ou l'appareil dans l'eau ou autre liquide.
4. Cet appareil ne doit pas être utilisé par les enfants et les soins ne devraient pas être prises lorsqu'il est utilisé près des enfants.
5. Débranchez l'appareil lorsqu'il n'est pas utilisé avant de mettre ou d'enlever des pièces, et avant le nettoyage. Ne pas faire fonctionner l'appareil avec un cordon endommagé ou la prise, ou après un dysfonctionnement, ou est tombé ou endommagé de quelque façon. Retourner le l'appareil au centre de service agréé le plus proche pour l'inspection, la réparation ou électrique ou mécanique ajustement.
6. Ne pas utiliser à l'extérieur.
7. Ne laissez pas le cordon toucher des surfaces chaudes, y compris les bord poêle.
8. Ne laissez pas le cordon pendre sur la table ou du comptoir où il peut être tiré par un enfant ou trébucher involontairement.
9. Ne pas utiliser cet appareil à des fins autres que son utilisation prévue.
10. Soyez sûr de bloquer la lame hachoir et chopper en position avant de s'engager dans l'opération.
11. L'utilisation de tout accessoire non recommandé ou vendu par le fabricant peut causer un incendie, un choc électrique ou de blessure.
12. Pour déconnecter mélangeur à immersion, appuyez sur le bouton OFF pour être sûr que l'appareil est éteint. Puis débrancher en tirant sur la fiche et en tirant de la prise murale. Ne jamais débrancher en tirant sur le cordon.
13. Ne retirez pas l'attachement du bloc moteur alors que l'appareil est en marche.
14. **LES LAMES SONT TRANCHANTES. MANIPULER AVEC SOIN.**
15. Garder les mains et les ustensiles hors du récipient tandis de fusion pour réduire le risque de blessures graves à personnes ou des dommages dans le hachant. Un racleur peut être utilisée mais doit être utilisé uniquement lorsque le hachoir n'est pas cours d'exécution.

16. Ne pas placer l'appareil près d'une surface chaude, la plaque ou les brûleurs électriques, ou si elle pouvait toucher n'importe quelle autre source de chaleur.
17. Lorsque le mélange des liquides, des liquides particulièrement chaud, utilisez un récipient haut, ou un mélange de petites quantités à la fois dans le but de réduire les déversements.
18. Ne pas tenter de contourner le mécanisme de verrouillage du couvercle.

## CONSERVEZ CES INSTRUCTIONS Information de Sécurité Pour le Consommateur

### CET APPAREIL EST CONÇU POUR UNE UTILISATION RÉSIDENTIELLE SEULEMENT

Cet appareil possède une fiche polarisée (une broche est plus large que l'autre). Pour réduire le risque de décharge électrique, cette fiche ne peut être insérée que d'une façon dans une prise murale polarisée. Si la fiche ne peut y être insérée entièrement dans la prise, retournez la fiche et réessayez. Si cela ne fonctionne toujours pas, contactez un électricien qualifié. En aucun temps la prise de ne doit être modifiée.

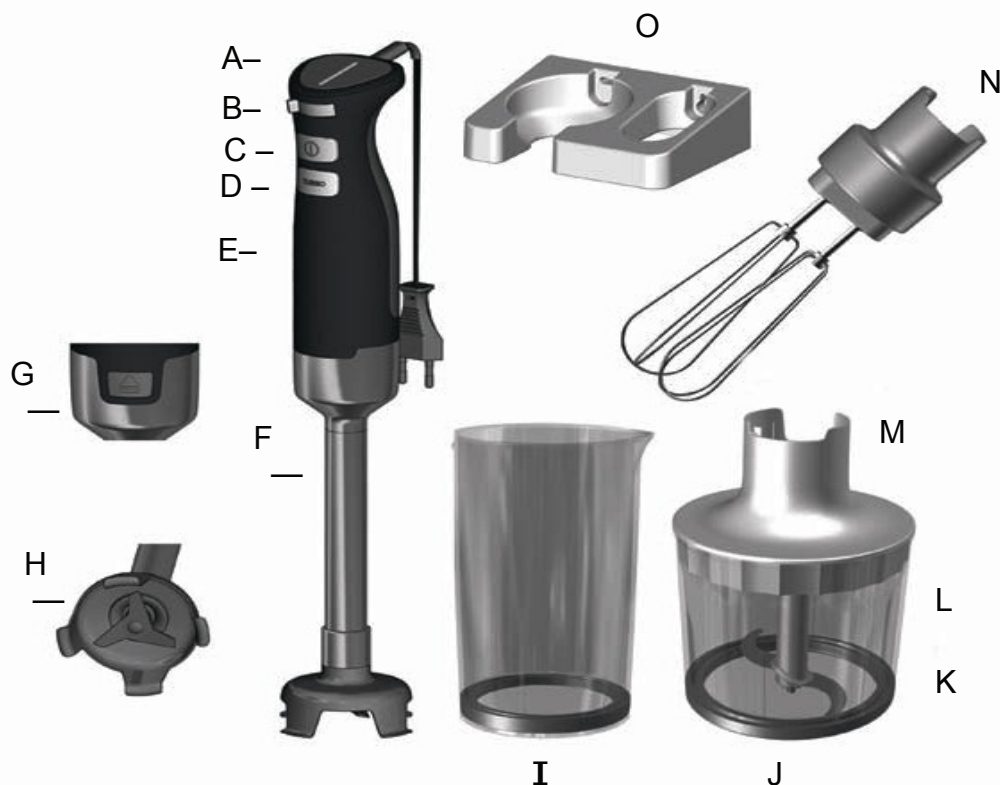
## ! PRUDENCE

**Directives** pour un cordon court: Votre grille-pain est muni d'un cordon d'alimentation court comme mesure de sécurité visant à prévenir les blessures corporelles et les dommages à la propriété pouvant survenir si le cordon est tiré, qu'il s'emmêle avec un cordon plus long ou si quelqu'un trébucher. Un adulte doit superviser les enfants qui utilisent ou se tiennent à proximité de cet appareil. Une rallonge électrique plus longue est disponible et peut être utilisée, à condition de le faire avec prudence. Si une rallonge électrique est utilisée (1), les caractéristiques électriques indiquées sur le cordon ou la rallonge électrique devraient être au moins équivalentes ou supérieures à celles de l'appareil (2). Le cordon devrait être positionné de façon à ne pas pendre au-dessus du comptoir ou de la table, là où il pourrait être tiré par les enfants ou sur lesquels on pourrait trébucher. Pour réduire le risque de blessures, le cordon électrique ne doit pas pendre au-dessus d'un comptoir ou d'une table; un enfant pourrait tirer ou trébucher accidentellement sur celui-ci.

### RISQUE DE CHOC ÉLECTRIQUE

Branchez l'appareil dans une prise électrique correctement.

Le non respect de ces instructions peut entraîner la mort, un incendie ou un choc électrique.



- A. Voyant indicateur de vitesse
- B. Sélecteur de vitesse
- C. Touche Marche/Arrêt
- D. Bouton TURBO
- E. Bloc moteur
- F. Pied mixeur en métal
- G. Touche de déverrouillage
- H. Couteau mélangeur
- I. Récipient gradue 800 ml\*
- J. Dispositif antidérapant du mini-hachoir et gobelet\*
- K. Couteau
- L. Bol hachoir\*
- M. Couverture du bol hachoir
- N. Double fouet grade professionnel\*
- O. Support mural avec rangement du cordon
- P. Cordon d'alimentation

#### Spécifications du produit

Modèle: FPIB10B7NS

Voltage: 120V~

Wattage: 200 Watts

Hertz: 60Hz

Fabriqué en Chine

\*Selon le modelé

# AVANT D'UTILISER VOTRE MÉLANGEUR

## ! PRUDENCE

Déballez soigneusement. LES LAMES SONT TRANCHANTES!

1. Déballez soigneusement le contenu de la boîte. Assurez-vous que tous les morceaux (comme indiqué sur page 4) sont comptabilisés et que le mélangeur à immersion semble être libre de tout dommage physique. Si vous découvrez tout dommage ou des pièces manquantes, s'il vous plaît communiquer avec notre département du service 1-888-845-7330 avant de brancher l'appareil.
2. Retirez tout matériau d'emballage de l'mélangeur à immersion. Assurez-vous que l'mélangeur à immersion est exempt de toute matière.
3. Placer le mélangeur à immersion sur un comptoir ou table.
4. Avant la première utilisation, veiller à nettoyer puis à laisser sécher le pied Mixeur, débrancher l'appareil de la prise de courant.



5. Connectez le bloc moteur au pied mixeur et verrouillez-les. Pour les séparer, appuyez sur la touche de déverrouillage et tirez sur le pied mixeur.



6. Sélectionnez la vitesse appropriée en déplaçant le sélecteur de vitesse. Appuyez sur la touche marche/arrêt pour commencer à mixer. Appuyez sur la touche turbo pour utiliser la vitesse maximale. Un voyant indique la vitesse de mixage.



# COMMENT ASSEMBLER VOTRE MÉLANGEUR À IMMERSION

## ! PRUDENCE

Lames sont très coupantes. Évitez de manipuler les lames de puissance avec les doigts.

1. **Plongez le mixeur dans le récipient** gradué 800 ml. Puis, commencer à mixer à vitesse normale. Veillez à ce que le récipient gradué ne soit pas rempli au delà des 2/3 de sa capacité. Si vous utilisez un autre récipient que celui fourni, veillez à ne pas immerger le pied mixeur au delà des 2/3 de sa longueur. Appliquer au mixeur plongeant un léger mouvement de va et vient vertical pour s'assurer du meilleur mixage du contenu. Relâcher le bouton pour l'arrêter.



2. **Utilisation du mini-hachoir\*** placer le hachoir sur une surface propre et plane. Mettre le couteau en acier inoxydable en place.



3. **Placez les aliments** dans le bol du hachoir. Ne tentez pas de hacher plus de 250g d'aliments à la fois. Fermez le couvercle.



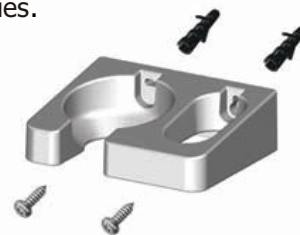
4. **Connectez le bloc moteur** et le couvercle du hachoir et verrouillez-les. Branchez l'appareil sélectionne la vitesse appropriée et appuyez sur le bouton. Marche/Arrêt pour démarrer le hachage. Relâchez la touche pour interrompre l'opération. Appuyez sur la touche de déverrouillage pour séparer le bloc moteur. L'appareil peut être utilisé en continu pendant 30 secondes. Laissez-le ensuite refroidir pendant 1 minute.



5. **Utilisation du double fouet** professionnel. Connectez le bloc moteur et le fouet et verrouillez-les. Pour les séparer, appuyez sur la touche de déverrouillage et tirez sur les fouets. L'appareil peut être utilisé en continu pendant 30 secondes. Laissez-le ensuite refroidir pendant 1 minute.



6. **Rangement pour fixer** le support mural, percer 2 trous dans le mur y insérer 2 chevilles en plastique et fixer le support au mur à l'aide des 2 vis fournies.



# LE NETTOYAGE DE VOTRE MÉLANGEUR À IMMERSION

## IMPORTANT

Débranchez le mélangeur à immersion de la prise électrique  
Avant nettoyage.

1. Il n'est pas recommandé de laver le pied mixeur au lave-vaisselle. Si toutefois vous décidez de le faire le pied mixeur doit être en position verticale (lames vers le haut) afin de permettre l'écoulement de l'eau.



2. Le verre-doseur et les fouets (détaches du support en plastique peuvent) être lavés au lave-vaisselle.



3. Retirer le bloc moteur. L'essuyer à l'aide d'un chiffon humide et le sécher soigneusement. Ne jamais le plonger dans l'eau ; risque de choc électrique.



## RÉSOLUTION DE PROBLÈMES/RECETTES

Probleme	Solution
Le mini-hachoir* ne fonctionne pas.	S'assurer que le couvercle et le bol hachoir sont assemblés correctement.
Le pied mixeur/double fouet* ne fonctionne pas.	Assurez-vous de verrouiller le pied en position de mixage.

\*Selon le modèle

### Quantités à mixer et durées de mixage

Recette	Ingrédients	Quantité	Durée	Vitesse
Smoothie à l'ananas et à l'abricot	Tranches d'ananas	250 grams (9 oz.)	60 seconds	Turbo
	Abricots secs	40 grams (1½ oz.)		
	Yaourt	300 grams (10½ oz.)		
Smoothie à la framboise	Framboises surgelées	250 grams (9 oz.)	60 seconds	Turbo
	Banane	½" pieces		
	Eau	100 grams (3½ oz.)		
	Sucre en poudre	1 cuillerée à soupe		
	Yaourt	300 grams (10½ oz.)		

### Quantités à hacher et durées de hachage

Ingrédients	Quantité	Durée	Vitesse
Carottes	100-200 grams (3½ -7 oz.)	5-10 seconds	Turbo
Oignons	100-200 grams (3½ -7 oz.)	5-10 seconds	Turbo
Fruits à coque	100-200 grams (3½ -7 oz.)	5-10 seconds	Turbo
Viande	100-200 grams (3½ -7 oz.)	10-20 seconds	Turbo
Glaçons	100-200 grams (3½ -7 oz.)	10 impulsions d'une durée de 2 s	Turbo

### Quantités à fouetter et durées de fouettage

Ingrédients	Quantité	Durée	Vitesse
Crème	500 grams (17½ oz.)	50-70 seconds	Turbo
Les blancs d'oeufs	4 unités	60 seconds	Turbo

# GARANTIE DE PETIT APPAREIL MÉNAGER

Votre appareil est couvert par une garantie limitée d'un an. Pendant un an à partir de votre date d'achat original, Electrolux paiera tous les coûts de réparation ou de remplacement de toutes pièces de cet appareil qui s'avère défectueux en matériaux ou en fabrication lorsque l'appareil est installé, utilisé et entretenu conformément aux instructions fournies.

Exclusions Cette garantie ne couvre pas ce qui suit:

1. Les produits avec des numéros de série originaux qui ont été retirés, modifiés ou qui ne peuvent pas être déterminés facilement.
2. Le produit a été transféré de son propriétaire original à une autre partie ou retirée des É.-U ou du Canada.
3. Rouille à l'intérieur ou à l'extérieur de l'appareil.
4. Les produits achetés « tel quel » ne sont pas couverts par cette garantie.
5. Perte d'aliments à cause de toutes défaillances de réfrigérateur ou congélateur.
6. Produits utilisés dans un milieu commercial.
7. Les appels de service qui n'impliquent pas de mauvais fonctionnements ou des défauts de matériaux ou de fabrication ou des appareils qui ne sont pas utilisés couramment dans une résidence ou utilisés de manière non conforme aux instructions fournies.
8. Les appels de service pour corriger l'installation de votre appareil ou pour vous indiquer comment utiliser votre appareil.
9. Les dépenses pour rendre cet appareil accessible pour son entretien, comme le retrait de la garniture, armoires, tablettes, etc. qui ne font pas partie de l'appareil lorsqu'il est expédié de l'usine.
10. Les appels de service pour réparer ou remplacer les ampoules, les filtres d'air, les filtres d'eau de l'appareil ou autres produits consommables, ou boutons, poignées ou autres pièces décoratives.
11. Les surcharges, incluant, mais sans s'y limiter, tous appels de service après les heures, la fin de semaine ou pendant les fêtes, les droits de péages, les frais de traversiers ou les dépenses de kilométrage pour les appels de service dans les endroits éloignés, incluant l'état de l'Alaska.
12. Les dommages au fini de l'appareil ou de la maison durant l'installation, incluant, mais sans s'y limiter, aux planchers, armoires, murs, etc.
13. Les dommages causés par: Les services exécutés par des sociétés de service non autorisées; l'utilisation de pièces autres que des pièces véritables Electrolux ou des pièces obtenues de personnes autres que les sociétés de service autorisées, ou des causes extérieures comme abus, mauvaise utilisation, courant inadéquat, accidents, incendies ou force majeure.

## DÉNÉGATION DES GARANTIES IMPLICITES; LIMITATION DE RECOURS

LE SEUL RECOURS EXCLUSIF DU CLIENT SOUS CETTE GARANTIE LIMITÉE SERA LA RÉPARATION OU LE REMPLACEMENT DU PRODUIT SELON CE QUI EST INDIQUÉ DANS CE DOCUMENT. LES RÉCLAMATIONS SELON CES GARANTIES IMPLICITES Y COMPRIS CELLES DE COMMERCIALITÉ ET D'APTITUDE À UN EMPLOI PARTICULIER, SE LIMITENT À UNE ANNÉE OU À LA PÉRIODE LA PLUS COURTE PERMISE PAR LA LOI, MAIS PAS MOINS D'UN AN. ELECTROLUX NE SERA PAS RESPONSABLE DES DOMMAGES CONSÉCUTIFS OU INDIRECTS COMME LES DOMMAGES À LA PROPRIÉTÉ ET LES DÉPENSES INDIRECTES DÉCOULANT DE TOUT BRIS DE CETTE GARANTIE LIMITÉE ÉCRITE OU TOUTE GARANTIE IMPLICITE. CERTAINS ÉTATS ET PROVINCES N'ACCEPTENT PAS D'EXCLUSION OU DE LIMITATION AUX DOMMAGES INDIRECTS OU CONSÉCUTIFS OU DE LIMITATIONS QUANT À LA DURÉE DES GARANTIES IMPLICITES, IL SE PEUT DONC QUE LES EXCLUSIONS OU LES LIMITATIONS NE S'APPLIQUENT PAS DANS VOTRE CAS. CETTE GARANTIE VOUS DONNE DES DROITS JURIDIQUES PRÉCIS. VOUS POUVEZ AUSSI AVOIR D'AUTRES DROITS QUI VARIENT D'UN ÉTAT À L'AUTRE OU D'UNE PROVINCE À L'AUTRE.

Si vous avez besoin de service:

Conserver votre reçu, bordereau de livraison ou tout autre registre de paiement approprié pour établir la période de garantie s'il faut du service. Si le service est exécuté, il est dans votre meilleur intérêt d'obtenir et de conserver tous les reçus. Le service sous cette garantie doit être obtenu en contactant Electrolux aux adresses ou aux numéros de numéros énumérés ci-dessous. Réparations doivent être effectuées pour un représentant de service autorisé.

Cette garantie s'applique uniquement aux États-Unis et au Canada. Aux États-Unis, votre appareil est garanti par Electrolux Major Appliances North America, une division de Electrolux Home Products, Inc. Au Canada, votre appareil est garanti par Electrolux Canada Corp. Personne n'est autorisé à changer ou à ajouter aux obligations en vertu de cette garantie. Obligations de service et de pièces sous garantie doivent être effectuées par Electrolux ou par une société de service autorisé. Les caractéristiques et spécifications décrites ou illustrées sont sujettes à changement sans préavis.

USA  
1-888-845-7330  
Electrolux Home Products  
10200 David Taylor Drive  
Charlotte, NC 28262





## Free Manuals Download Website

<http://myh66.com>

<http://usermanuals.us>

<http://www.somanuals.com>

<http://www.4manuals.cc>

<http://www.manual-lib.com>

<http://www.404manual.com>

<http://www.luxmanual.com>

<http://aubethermostatmanual.com>

Golf course search by state

<http://golfingnear.com>

Email search by domain

<http://emailbydomain.com>

Auto manuals search

<http://auto.somanuals.com>

TV manuals search

<http://tv.somanuals.com>