

# Gas Cooktop

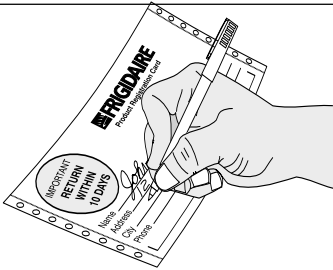
 **FRIGIDAIRE**

## **O w n e r ' s G u i d e**

# Product Registration

## Register Your Product

The **PRODUCT REGISTRATION CARD** should be filled in completely, signed and returned to Frigidaire Company.



**Thank you for choosing this appliance.** The information contained within this **Owner's Guide** will instruct you on how to properly operate and care for your cooktop. Please read through the information contained in your literature pack to learn more about your new appliance.

## Record Your Model and Serial Numbers

Record in the space provided below the model and serial numbers found underneath or inside the cooktop.

**Model Number:** \_\_\_\_\_

**Serial Number:** \_\_\_\_\_

**Date of Purchase:** \_\_\_\_\_

# Contents

This Owner's Guide contains general operating instructions for your cooktop and feature information for several models. Your cooktop **may not** have all the described features.

## Versión en español

Si desea obtener una copia en español de este Manual del Usuario, sírvase escribir a la dirección que se incluye a continuación. Solicite la P/N318201100.

Spanish Owner's Guides  
Frigidaire Company  
P. O. Box 9061  
Dublin, Ohio 43017-0961

3-4	Important Safety Instructions
5	Grounding Instructions
5	Liquefied Petroleum (Propane) Gas Conversion
5	Flame Size
6	Proper Burner Adjustments
6	Setting Surface Controls
6	Selecting Surface Cooking Utensils
7	Specialty Pans & Trivets
7	Canning Tips & Information
	General Cleaning
8	Cleaning Various Parts of Cooktop
9	For Model With Open Burner
10-11	For Model With Sealed Burner
12	Avoid Service Checklist
13-14	Warranty

**Note:** The instructions appearing in this Owner's Guide are not meant to cover every possible condition and situation that may occur. Common sense and caution must be practiced when installing, operating and maintaining any appliance.

**⚠ WARNING** If the information in this manual is not followed exactly, a fire or explosion may result causing property damage, personal injury or death.

### FOR YOUR SAFETY:

- Do not store or use gasoline or other flammable vapors and liquids in the vicinity of this or any other appliance.
- **WHAT TO DO IF YOU SMELL GAS:**
  - Do not try to light any appliance.
  - Do not touch any electrical switch; do not use any phone in your building.
  - Immediately call your gas supplier from a neighbor's phone. Follow the gas supplier's instructions.
  - If you cannot reach your gas supplier, call the fire department.
- Installation and service must be performed by a qualified installer, servicer or the gas supplier.



# IMPORTANT SAFETY INSTRUCTIONS

Read all instructions before using this appliance.  
Save these instructions for future reference.

This guide contains important safety symbols and instructions. Please pay special attention to these symbols and follow all instructions given. Here is a brief explanation of the use of these symbols.

**⚠ WARNING** This symbol will help alert you to situations that may cause serious bodily harm, death or property damage.

**⚠ CAUTION** This symbol will help alert you to situations that may cause bodily injury or property damage.

- **Remove all tape and packaging wrap before using the cooktop. Destroy the carton and plastic bags after unpacking the cooktop.** Never allow children to play with packaging material. Do not remove the model/serial plate attached to the cooktop.
- **Proper Installation—Be sure your appliance is properly installed and grounded by a qualified technician in accordance with the National Fuel Gas Code ANSI Z223.1 latest edition in the United States, or in Canada CAN/CGA B149.1, and CAN/CGA B149.2, and the National Electrical Code ANSI/NFPA No. 70—latest edition in United States, or in Canada CSA Standard C22.1, Canadian Electrical Code, Part 1, and local code requirements.** Install and/or adjust only per installation instructions provided in the literature package for this cooktop.
- **Do not leave children alone—Children should not be left alone or unattended in the area where an appliance is in use.** They should never be allowed to sit or stand on any part of the appliance.
- **DO NOT TOUCH SURFACE BURNERS, GRATES, OR AREAS NEAR THESE BURNERS.** Surface burners may be hot even though the flames are not visible. Areas near surface burners may become hot enough to cause burns. During and after use, do not touch or let clothing or other flammable materials touch these areas until they have had sufficient time to cool. Among these areas are the cooktop and the surfaces facing the cooktop.
- **Wear Proper Apparel—Loose-fitting or hanging garments should never be worn while using the appliance.** Do not let clothing or other flammable materials contact hot surfaces.

Ask your dealer to recommend a qualified technician and an authorized repair service. Know how to shut off gas supply at the meter and disconnect the electrical power to the cooktop at the circuit breaker or fuse box in case of an emergency.

- **User Servicing—Do not repair or replace any part of the appliance unless specifically recommended in the manuals.** All other servicing should be done only by a qualified technician. This may reduce the risk of personal injury and damage to the cooktop.
- **Never modify or alter the construction of a cooktop by removing panels, wire covers, or any other part of the product.**

**⚠ WARNING** Stepping or leaning on this cooktop can result in serious injuries and may also cause damage to the cooktop. Do not allow children to climb or play around the cooktop.

- **Storage on Appliance—Flammable materials should not be stored on the cooktop, near surface burners.** This includes paper, plastic and cloth items, such as cookbooks, plasticware and towels, as well as flammable liquids. Do not store explosives, such as aerosol cans, on the cooktop. Flammable materials may explode and result in fire or property damage.

**⚠ CAUTION** Do not store items of interest to children in the cabinets above the cooktop.

**⚠ WARNING** Never use your appliance for warming or heating the room.

- **Do Not Use Water or Flour on Grease Fires—Smother the fire with a pan lid, or use baking soda, a dry chemical or foam-type extinguisher.**
- **When heating fat or grease, watch it closely.** Fat or grease may catch fire if allowed to become too hot.
- **Use Only Dry Pot holders—Moist or damp pot holders on hot surfaces may result in burns from steam.** Do not let the pot holders touch the flame or burners. Do not use a towel or other bulky cloth instead of a pot holder.
- **Do Not Heat Unopened Food Containers—Buildup of pressure may cause container to burst and result in injury.**
- **Know which knob controls each surface burner.** Always turn the knob to the LITE position when igniting the burners. Visually check that the burner has lit. Then adjust the flame so it does not extend beyond the edge of the utensil.

**⚠ WARNING** Use Proper Flame Size—Adjust flame size so it does not extend beyond the edge of the utensil. The use of undersized utensils will expose a portion of the burner flame to direct contact and may result in ignition of clothing. Proper relationship of utensil to flame will also improve efficiency.

# IMPORTANT SAFETY INSTRUCTIONS (continued)

**⚠ WARNING** Do not use stove top grills on your sealed gas burners. If you use a stove top grill on a sealed gas burner, it will cause incomplete combustion and can result in exposure to carbon monoxide levels above allowable current standards. This can be hazardous to your health.

- **Use proper pan size**—This appliance is equipped with one or more surface burners of different sizes. Select utensils having flat bottom large enough to cover the surface burner. The use of undersized utensils will expose a portion of the surface burner to direct contact and may result in ignition of clothing. Proper relationship of utensil to the surface burner will also improve efficiency.
- **Utensil Handles Should Be Turned Inward and Not Extend Over Adjacent Surface Burners**—To reduce the risk of burns, ignition of flammable materials, and spillage due to unintentional contact with the utensil, the handle of the utensil should be positioned so that it is turned inward, and does not extend over adjacent surface burners.
- **Never Leave Surface Burners Unattended at High Heat Settings**—Boilovers cause smoking and greasy spillovers that may ignite, or a pan that has boiled dry may melt.
- **Protective Liners**—Do not use aluminum foil to line surface burner pans. Protective liners or aluminum foil may interfere with heat and air distribution, and combustion. Damage to the cooktop or personal injury may result.

- **Glazed Cooking Utensils**—Only certain types of glass, glass/ceramic, ceramic, earthenware, or other glazed utensils are suitable for cooktop service without breaking due to the sudden change in temperature. Check the manufacturer's recommendations for cooktop use.
- **Do Not Use Decorative Surface Burner Covers.** If a burner is accidentally turned on, the decorative cover will become hot and possibly melt. You will not be able to see that the burner is on. Burns will occur if the hot covers are touched. Damage may also be done to the cooktop or burners because the covers may cause overheating. Air will be blocked from the burner and cause combustion problems.

## TEMPERED-GLASS COOKTOPS (some models):

- **Do Not Operate or Clean a Broken Cooktop Glass**—If glass top should break, cleaning solutions and spillovers may penetrate the broken cooktop and create a risk of electric shock. Contact a qualified technician immediately.
- **Clean Cooktop Glass with Caution**—If a wet sponge or cloth is used to wipe spills on a hot cooking area, be careful to avoid a steam burn. Some cleaners can produce harmful fumes if applied to a hot surface.
- **Do Not Place Hot Cookware on the Cooktop Glass.** This could cause glass to break.
- **Avoid scratching the cooktop glass with sharp objects.**

## SAVE THESE INSTRUCTIONS

## Grounding Instructions (electric ignition models only)

**IMPORTANT: READ AND SAVE THESE INSTRUCTIONS.**

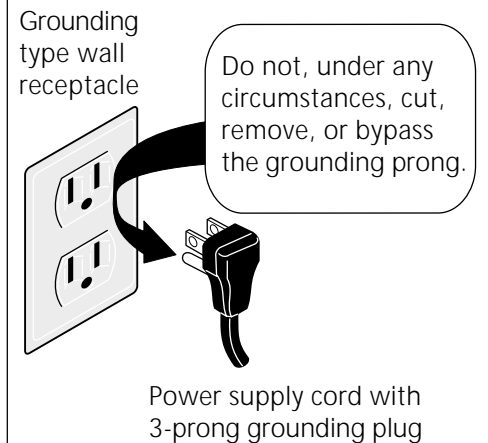
**⚠ WARNING** This appliance is equipped with a 3 prong grounding plug for your protection against shock hazard and should be plugged directly into a properly grounded receptacle. **DO NOT** cut or remove the grounding prong from this plug.

For personal safety, this cooktop must be properly grounded. For maximum safety, the power cord must be plugged into a 120V—60 Hz. outlet that is correctly polarized and properly grounded.

If a two-prong wall receptacle is the only available outlet, it is the personal responsibility of the consumer to have it replaced with a properly grounded three-prong wall receptacle installed by a qualified electrician.

DO NOT UNDER ANY CIRCUMSTANCES CUT OR REMOVE THE THIRD ROUND GROUNDING PRONG FROM THE POWER CORD PLUG. SEE THE INSTALLATION INSTRUCTIONS PACKAGED WITH THIS COOKTOP FOR COMPLETE INSTALLATION AND GROUNDING INSTRUCTIONS. DO NOT OPERATE THE COOKTOP USING A TWO-PRONG ADAPTER OR AN EXTENSION CORD.

**⚠ WARNING** Avoid fire hazard or electrical shock. Do not use an adaptor plug, an extension cord, or remove grounding prong from electrical power cord. Failure to follow this warning can cause serious injury, fire or death.



## Liquefied Petroleum (Propane) Gas Conversion

**⚠ WARNING** Severe shock or damage to the cooktop may occur if the cooktop is not installed by a qualified installer or electrician.

This appliance can be used with Natural Gas and Propane Gas. It is shipped from the factory for use with natural gas.

If you wish to convert your cooktop for use with Liquefied Petroleum (propane) gas, for some models you should order the conversion kit from your local dealer or from an authorized service agency (see Warranty). See the installation instructions for the conversion kit number (for models with sealed burners only).

For other models the conversion kit is included in the packaging, if you wish to convert your cooktop for use with propane gas, use the supplied fixed orifices located in the package containing the installation instruction, in a bag marked "FOR LP/PROPANE GAS CONVERSION". Follow the instructions packaged with the orifices (for models with sealed burners only).

For models with open burners, see the installation instructions guide for the conversion instructions.

The conversion must be performed by a qualified service technician in accordance with the manufacturer's instructions and all codes and requirements of the authority having jurisdiction. Failure to follow the instructions could result in serious injury or property damage. The qualified agency performing this work assumes responsibility for the conversion.

## Flame Size

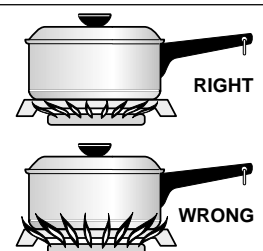
**For most cooking**, start on the highest control setting and then turn to a lower one to complete the process. Use the chart below as a guide for determining proper flame size for various types of cooking. The size and type of utensil used and the amount of food being cooked will influence the setting needed for cooking.

**For deep fat frying**, use a thermometer and adjust the surface control knob accordingly. If the fat is too cool, the food will absorb the fat and be greasy. If the fat is too hot, the food will brown so quickly that the center will be undercooked. Do not attempt to deep fat fry too much food at once as the food will neither brown nor cook properly.

*Flame Size	Type of Cooking
High Flame	Start most foods; bring water to a boil; pan broiling
Medium Flame	Maintain a slow boil; thicken sauces, gravies; steam
Low Flame	Keep foods cooking; poach; stew

\* These settings are based on using medium-weight aluminum pans with lids. Settings may vary when using other types of pans.

Never extend the flame beyond the outer edge of the utensil. A higher flame simply wastes heat and energy, and increases your risk of being burned by the flame.



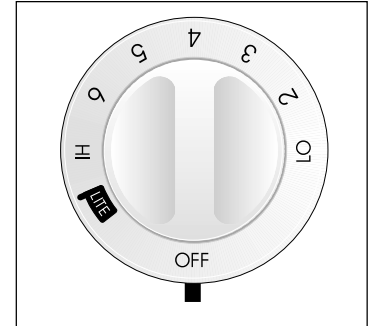
## Proper Burner Adjustments

The color of the flame is the key to proper burner adjustment. A good flame is clear, blue and hardly visible in a well-lighted room. Each cone of flame should be steady and sharply defined. Adjust or clean burner if flame is yellow-orange. To clean burner, see instructions under **General Cleaning**. Each burner lights automatically from an electric ignitor each time a control knob is turned to the LITE position.

## Setting Surface Controls

### To operate the surface burner:

1. Place cooking utensil on burner.
2. Push in and turn the Surface Control knob to LITE. **Note:** All electronic ignitors will click at the same time. However, only the burner you are turning on will ignite.
3. Visually check that the burner has lit.
4. After the burner lights, turn the control knob to the desired flame size. The control knobs do not have to be set at a particular mark. Use the guides and adjust the flame as needed.  
**DO NOT** cook with the control knob in the LITE position. (The electronic ignitor will continue to click if left in the LITE position.)
5. To turn the burner off, turn the control knob as far as it will go, to the OFF position.



## Electric Ignition Models

In the event of an electrical power outage, the surface burners can be lit manually. To light a surface burner, hold a lit match to the burner head, then slowly turn the surface control knob to LITE. Use caution when lighting surface burners manually.

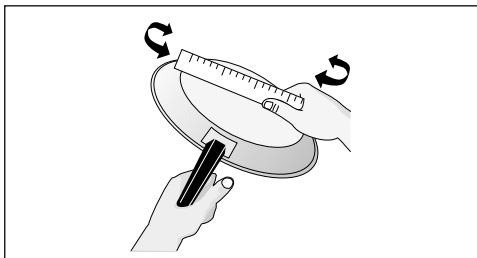
Surface burner in use when an electrical power failure occurs will continue to operate normally.

**CAUTION** Do not operate the burner for an extended period of time without cookware on the grate. The finish on the grate may chip without cookware to absorb the heat.

**CAUTION** Do not place plastic items such as salt and pepper shakers, spoon holders or plastic wrappings on top of the cooktop when it is in use. These items could melt or ignite. Pot holders, towels or wood spoons could catch fire if placed too close to a flame.

## Selecting Surface Cooking Utensils

For best results and energy conservation, choose cooking utensils that have these characteristics:

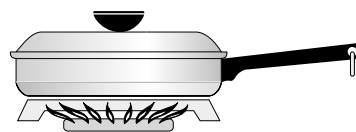


Pans should have flat bottoms. Check for flatness by rotating a ruler across the bottom. There should be no gaps between the pan and ruler.

**Note:** Always use a utensil for its intended purpose. Follow manufacturer's instructions. Some utensils were not made to be used in the oven or on the cooktop.

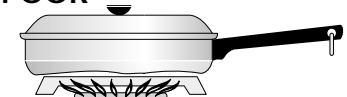
**Note:** Do not use griddle over more than one burner. That can damage your cooktop and that can result in exposure to carbon monoxide levels above allowable current standards. That can be hazardous to your health.

### \*GOOD

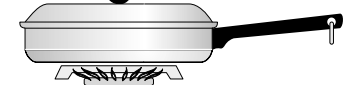


- Flat bottom and straight sides.
- Tight fitting lids.
- Weight of handle does not tilt pan. Pan is well balanced.
- Pan sizes match the amount of food to be prepared.
- Made of a material that conducts heat well.
- Easy to clean.

### POOR



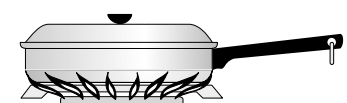
- Curved and warped pan bottoms.



- Pan overhangs unit by more than one inch or 2.5 cm.



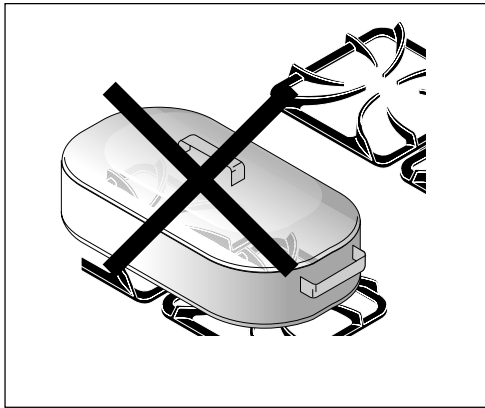
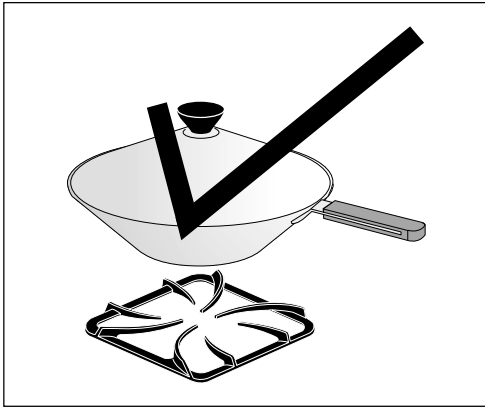
- Heavy handle tilts pan.



- Flame extends beyond unit

\* Specialty pans such as lobster pots, griddles and pressure cookers may be used but must conform to the above recommended cookware requirements.

## Specialty Pans & Trivets



**Woks** with flat bottoms suitable for use on your cooktop are available in most cookshop or hardware stores. Round-bottomed woks (with a support ring that does not extend beyond the burner unit) may also be used. The metal ring was designed to support the wok safely when it is filled with large amounts of liquids (soup making) or fat (frying).

**DO NOT use a wok if it is equipped with a metal ring that extends beyond the burner unit. Because this ring traps heat, the surface unit and cooktop surface could be damaged.**



**Wire trivets:** Do not use wire trivets. Cookware bottoms must be in direct contact with the grates.

**CAUTION** DO NOT use two burner units to heat one large pan such as a roaster or griddle, or allow cooking utensils to boil dry. The bottom surface of the pan in either of these situations could cause discoloring or crazing of the appliance cooking surface, and damage to the grates and burner units.

## Canning Tips & Information

**CAUTION** Canning can generate large amounts of steam. Use extreme caution to prevent burns. Always raise the lid to vent steam away from you.



1. Use tested recipes and follow instructions carefully. Check with your local Cooperative Agricultural Extension Service or a manufacturer of glass jars for the latest canning information.
2. Use flat-bottomed canners only. Heat is spread more evenly when the bottom surface is flat.
3. Center canner on the burner grate.
4. Start with hot water and a high heat setting to reduce the time it takes to bring the water to a boil; then reduce the heat setting as low as possible to maintain a constant boil.
5. It is best to can small amounts and light loads.

**CAUTION** Prevent damage to cooktop and burner grates:

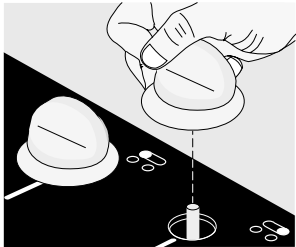
1. Do not use water bath or pressure canners that extend more than one inch beyond the edge of the burner grate.
2. Do not leave water bath or pressure canners on high heat for an extended amount of time.
3. Alternate surface units between each batch to allow the units and surrounding surfaces to cool down. Try to avoid canning on the same burner unit all day.

**CAUTION** Safe canning requires that harmful micro-organisms are destroyed and the jars are sealed completely. When canning in a water bath canner, a gentle but steady boil must be maintained continuously for the required time.

# General Cleaning

## Cleaning Various Parts of Your Cooktop

Before cleaning any part of the cooktop, be sure all controls are turned OFF and the cooktop is COOL. Remove spillovers and heavy soiling as soon as possible. Regular cleaning will reduce the number of major cleaning later.

Surfaces	How to Clean
<b>Aluminum</b> (Trim Pieces) & <b>Vinyl</b>	Use hot, soapy water and a cloth. Dry with a clean cloth.
<b>Glass, Painted and Plastic Control Knobs, Body Pieces, and Decorative Trim</b>	<i>For general cleaning</i> , use hot soapy water and a cloth. <i>For more difficult soils and built-up grease</i> , apply a liquid detergent directly onto the soil. Leave on soil for 30 to 60 minutes. Rinse with a damp cloth and dry. <b>DO NOT</b> use abrasive cleaners on any of these materials; they can scratch.
<b>Control Panel</b> 	<i>Before cleaning the control panel</i> , turn all controls to OFF and remove the control knobs. To remove, pull each knob straight off the shaft. Clean using hot, soapy water and a cloth. Be sure to squeeze excess water from the cloth before wiping the panel; especially when wiping around the controls. Excess water in or around the controls may cause damage to the appliance. To replace knobs after cleaning, line up the flat sides of both the knob and the shaft; then push the knob into place.
<b>Stainless Steel, Chrome Decorative Trim</b>	Gentle scouring with a soapy nylon pad will remove most spots. Rinse with a 1:1 solution of clean water and ammonia. Cover difficult spots with an ammonia soaked paper towel for 30 minutes, scrub with a nylon pad and rinse with clean water. Cleaners made especially for stainless steel or chrome are recommended. Bluish stains on these materials are caused by overheating and cannot be removed. Remove all cleaners or the finish may be damaged during future heating. <b>DO NOT</b> use spray oven cleaners on the cooktop.
<b>Porcelain Enamel</b> Burner Grates, Burner Pans (some models), Burner Rings (some models), Cooktop Surface	Clean burner grates in the dishwasher and dry upon removal. If soils are not removed, follow the cooktop cleaning instructions below.  Gentle scouring with a soapy nylon pad will remove most spots. Rinse with a 1:1 solution of clean water and ammonia. <i>If necessary</i> , cover difficult spots with an ammonia-soaked paper towel for 30 to 40 minutes. Rinse with clean water and damp cloth, then scrub with a soap-filled scoring pad. Rinse and wipe dry with a clean cloth. Remove all cleaners or the porcelain may become damaged during future heating. <b>DO NOT</b> use spray oven cleaners on the cooktop.
<b>Surface Burners</b>	The holes in the burners of your cooktop must be kept clean at all times for proper ignition and a complete, even flame. Clean the burner holes routinely with a small gauge wire or needle and especially after bad spillovers which could clog these holes.  To remove and replace burner units per your model, see instructions under <b>General Cleaning</b> . To clean, soak the burners in a 1:1 solution of ammonia and water for 30 to 40 minutes. For stubborn stains, scrub with soap and water or a mild abrasive cleanser and damp cloth. Dry the burners thoroughly in a warm oven for 30 minutes. Then replace them, making sure they are seated and level. <b>DO NOT</b> wash burner units in the dishwasher.



## General Cleaning (continued)

### For Models with Open Burners (some models)

#### To Raise and Lower the Top for Cleaning

The cooktop is hinged and can be raised to clean the area underneath. Be sure all cooktop controls are turned to OFF and burner grates are cool.

1. Remove controls knobs, burner grates and spillover bowls. Set aside.
2. Grasp the front of the cooktop and lift. Some models have a swing-up rod to support the cooktop in its raised position.
3. Clean under the cooktop.
4. Lower the top gently after lowering the support rod (some models).
5. Replace bowls, grates and control knobs.

**⚠ WARNING** When lowering the top, grasp the sides with fingertips only. Be careful not to pinch fingers. Also, **DO NOT** drop or bend the cooktop when raising or lowering. This could damage the surface.

**⚠ WARNING** **DO NOT** turn on the burners when the cooktop is raised for cleaning. Be sure that the top is completely lowered and securely in place before turning on the burners.

#### To Remove and Replace Burners

The burners on your cooktop maybe removed for cleaning. Be sure all controls are turned to OFF and burner grates are cool before removing cooktop burner units.

##### To Remove Burners

1. Remove the shipping screws from the support bracket. See illustrations for location of screws.
2. Grasp the burner head and tilt it to the right to release the tab from the burner support (A in Figure 1).
3. Lift the end of the burner assembly. Then pull away from the front of the cooktop to free the air shutter from the gas valve orifice (B in Figure 1).

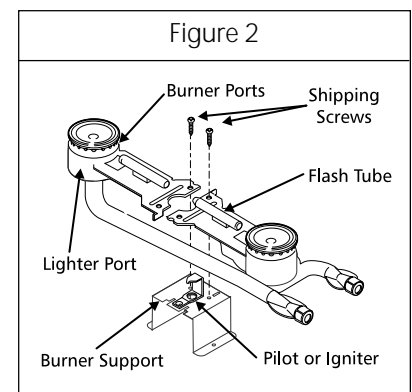
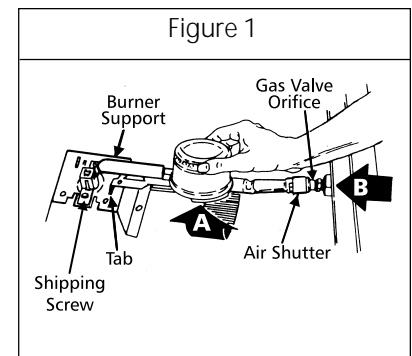
If your cooktop is equipped with a standing gas pilot, use caution when removing burner. The flash tube may be hot because it is located near the pilot.

Check the lighter and burner ports (Figure 2). If they are clogged, use a wire or needle to clear them.

To remove burned-on food, soak the burners in a vinegar and water solution for 20-30 minutes. For stubborn stains, scrub with soap and water or a mild abrasive cleanser and a damp cloth. Do not wash burners in a dishwasher.

##### To Replace Burners

1. Slide the air shutter over the gas valve orifice (Figure 1).
2. Lower the burner assembly and hook the tab in the slots in the burner support. Make sure it is properly seated and level.
3. Be sure both tabs are in the correct slots, the burner sits level and straight, and the flash tube forms a straight line from the igniter to the burner (Figure 2).
4. Replace shipping screws if desired. These screws are not necessary for the operation of the burner. They stabilize the burner during shipping of the appliance. Retain the screws for later use in the event the range is moved.



## General Cleaning (continued)

### For Models with Sealed Burners (some models)

Unlike the standard gas range, THIS COOKTOP IS NOT REMOVABLE. Do not attempt to remove or lift the cooktop.

**CAUTION** Before cleaning the cooktop, be sure the controls are turned to **OFF** and the cooktop is **COOL**.

### To Clean the Cooktop

The cooktop is designed to make cleaning easier. Because the four burners are sealed, cleanups are easy when spillovers are cleaned up immediately. To clean, wipe with a clean, damp cloth and wipe dry.

### Tempered-glass Cooktop (some models)

Correct and consistent cleaning is essential to maintaining your heat-resistant glass top. Spills and splatters should be wiped up using a clean paper towel and sudsy water. This should be done either as soon as possible after spill occurs, after cooking is completed, or at the latest, before using the cooktop again. Use caution if the cooktop is hot. For heavy spills, spatter or burned-on materials, use razor blade scraper. Hold the razor blade scraper at a 30° angle and remove food spills or burned on food residue.

*Finish the cleaning process by applying a recommended heat-resistant glass cooktop cleaning cream. Apply cleaner with clean, damp paper towel. Rinse with a paper towel dampened with clean water and wipe dry. Always wipe the cooktop thoroughly to avoid heating any cleaner residue.*

### Do NOT use the following on the heat-resistant glass cooktop:

- Abrasive plastic, nylon, metal scouring or cloth pads. They may scratch the cooktop and make it more difficult to clean later. Always use a new, clean paper towel when cleaning the heat-resistant glass top.
- Anything that may melt (plastics, aluminum foil, sugar or food with a high sugar content).
- Heavy duty cleansers, rust or stain removers.
- Chlorine bleach, ammonia, hydrofluoric acid or any other kind of chemical cleaners. They may etch or discolor the cooktop.
- Sponges, cloths or dish towels. Always use a new, clean paper towel when cleaning the cooktop. Lint or soil remaining on the cooktop from a cloth or sponge can burn and cause discoloration.



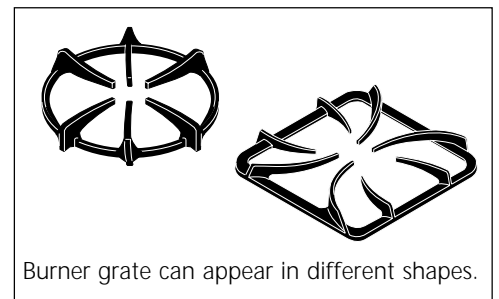
### To Clean the Burner Grates, Contoured Burner Pans, Burner Cap and Burner Base

The burner grates, contoured burner pans, burner caps and burner base should be routinely cleaned. Keeping the burner ports clean will prevent improper ignition and an uneven flame. See instructions below.

#### To Clean the Burner Grates

**Be sure burners and grates are cool** before you place your hand, a pot holder, cleaning cloths or other material on them. The cast iron burner grates can be washed in hot soapy water. Rinse thoroughly and dry the grates with a cloth - don't put them on the cooktop while still wet. Be sure the grates are positioned securely over the burners.

To remove burned on food, place the grates in a covered container or plastic bag. Add 1/4 cup ammonia and soak for 30 minutes. Wash, rinse well and dry. An abrasive cleaner can be used for stubborn stains.

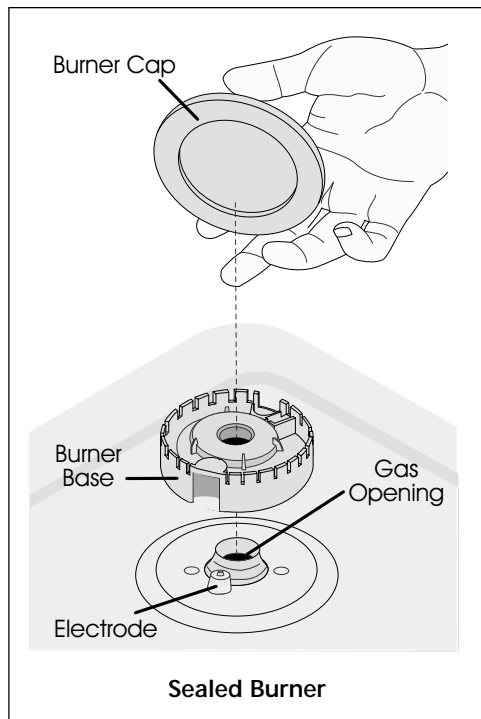


#### To Clean the Contoured Burner Pans

The burner pans are attached to the cooktop and are not removable. The burner pan forms a recessed well area located around each burner unit. If spill occurs in one of the well areas, blot up spill with an absorbent cloth. Rinse with a clean, damp cloth and wipe dry.

## General Cleaning (continued)

### For Models with Sealed Burners (some models) (continued)



#### To Clean the Burner Cap

Remove burner cap. Use soap-filled pad or mild abrasive cleanser to clean burner caps. If necessary, cover stubborn spots with an ammonia-soaked paper towel for 30 minutes. Rub gently with a mixture of clean water and vinegar. Wipe dry. Remove all cleaners or the porcelain may become damaged during future heating.

#### To Clean the Removable Burner Base and Gas Opening (some models)

The ports (or slots) around the burner base must be routinely cleaned. Use a small-gauge wire or needle to clean small slots or holes.

**Note:** If the electrode is damaged or broken, the surface burner will not light because it will not spark. Manual lighting with a match is still possible.

For proper flow of gas and ignition of the burner - DO NOT ALLOW SPILLS, FOOD, CLEANING AGENTS OR ANY OTHER MATERIAL TO ENTER THE GAS OPENING TUBE. Gas must flow freely through the small hole in the brass orifice for the burners to light properly. If the gas opening orifice becomes soiled or clogged, use a small-gauge or needle to clean. ALWAYS keep the burner cap in place whenever a surface burner is in use.

#### To Replace the Burner Base and the Burner Cap

Make sure the pieces are thoroughly dry before placing back.

1. Replace burner base and burner cap at their place. Make sure each burner cap and burner base are properly aligned and leveled.
2. Replace the burner grate.
3. Turn the burner on to determine if it lights. If the burner does not light after cleaning, contact an authorized servicer. Do not service the sealed burner yourself.

# Avoid Service Checklist

Before you call for service, review this list. It may save you time and expense. The list includes common occurrences that are not the result of defective workmanship or materials in this appliance.

OCCURRENCE	POSSIBLE CAUSE/SOLUTION
<b>Surface burners do not light.</b>	Surface Control knob has not been completely turned to LITE. Push in and turn the Surface Control knob to LITE until burner ignites and then turn control to desired flame size.
	Be sure gas supply valve is open.
	Gas-air mixture needs a straight line to travel. Be sure burner is properly seated in its support (models with open burners only).
	Burner ports or slots are clogged. With the burner off, use a small-gauge wire or needle to clean ports or slots.
	Power cord is disconnected from outlet (electric ignition models). Be sure cord is plugged securely into outlet.
	Electrical power outage (electric ignition models). Burners can be lit manually. See <b>Setting Surface Controls</b> in this Owner's Guide.
<b>Surface burner flame burns half way around.</b>	Burner ports or slots are clogged. With the burner off, clean ports with a small-gauge wire or needle to clean ports or slots.
	Moisture is present after cleaning. Lightly fan the flame and allow burner to operate until flame is full. Dry the burners thoroughly following instructions under <b>General Cleaning</b> .
<b>Surface burner flame is orange.</b>	Dust particles in main line. Allow the burner to operate a few minutes until flame turns blue.
	In coastal areas, a slightly orange flame is unavoidable due to salt air.

# FRIGIDAIRE COOKTOP WARRANTY

Your Frigidaire product is protected by this warranty (for United States)

	WARRANTY PERIOD	FRIGIDAIRE, THROUGH ITS AUTHORIZED SERVICERS, WILL:	THE CONSUMER WILL BE RESPONSIBLE FOR:
<b>FULL ONE-YEAR WARRANTY</b>	One year from original purchase date.	Pay all costs for repairing or replacing any parts of this appliance which prove to be defective in materials or workmanship.	Costs of service calls that are listed under <b>NORMAL RESPONSIBILITIES OF THE CONSUMER.*</b>
<b>LIMITED WARRANTY (Applicable to the State of Alaska)</b>	Time period listed above.	All of the provisions of the full warranty above and the exclusions listed below apply.	Costs of the technician's travel to the home and any costs for pick up and delivery of the appliance required because of service.

Your appliance is warranted by Frigidaire Home Products, a division of White Consolidated Industries, Inc. We authorize no person to change or add to any of our obligations under this warranty. Our obligations for service and parts under this warranty must be performed by Frigidaire Home Products Consumer Services or an authorized Frigidaire servicer.

## \*NORMAL RESPONSIBILITIES OF THE CONSUMER

**This warranty applies only to products in ordinary household use, and the consumer is responsible for the items listed below:**

1. Proper use of the appliance in accordance with instructions provided with the product.
2. Proper installation by an authorized servicer in accordance with instructions provided with the appliance and in accordance with all local plumbing, electrical and/or gas codes.
3. Proper connection to a grounded power supply of sufficient voltage, replacement of blown fuses, repair of loose connections or defects in house wiring.
4. Expenses for making the appliance accessible for servicing, such as removal of trim, cupboards, shelves, etc., which are not a part of the appliance when it was shipped from the factory.
5. Damages to finish after installation.
6. Replacement of light bulbs and/or fluorescent tubes (on models with these features).

## EXCLUSIONS

**This warranty does not cover the following:**

1. CONSEQUENTIAL OR INCIDENTAL DAMAGES SUCH AS PROPERTY DAMAGE AND INCIDENTAL EXPENSES RESULTING FROM ANY BREACH OF THIS WRITTEN OR ANY IMPLIED WARRANTY.  
*Note: Some states do not allow the exclusion or limitation of incidental or consequential damages, so this limitation or exclusion may not apply to you.*
2. Service calls which do not involve malfunction or defects in workmanship or material, or for appliances not in ordinary household use. The consumer shall pay for such service calls.
3. Damages caused by services performed by persons other than authorized Frigidaire servicers; use of parts other than Frigidaire Home Products Genuine Renewal Parts; obtained from persons other than such servicers; or external causes such as abuse, misuse, inadequate power supply or acts of God.
4. Products with original serial numbers that have been removed or altered and cannot be readily determined.

## IF YOU NEED SERVICE

Keep your bill of sale, delivery slip, or some other appropriate payment record. The date on the bill establishes the warranty period should service be required. If service is performed, it is in your best interest to obtain and keep all receipts. This written warranty gives you specific legal rights. You may also have other rights that vary from state to state. Service under this warranty must be obtained by following these steps, in order:

1. Contact Frigidaire Home Products Consumer Services or an authorized Frigidaire servicer.
2. If there is a question as to where to obtain service or parts, call or write our Consumer Relations Department at:

Frigidaire Home Products Consumer Relations  
P.O. Box 212378  
Augusta, Georgia 30917-2378  
**(800) 944-9044**



Product features or specifications as described or illustrated are subject to change without notice. All warranties are made by White Consolidated Industries, Inc. This warranty applies only in the 50 states of the U.S.A. and Puerto Rico.



# WARRANTY (for Canada)

## GAS COOKTOP

**WARRANTOR:**

FRIGIDAIRE HOME PRODUCTS  
7075 Ordan Drive  
Mississauga, Ontario  
L5T 1K6

This cooktop is a branded product of Frigidaire Home Products.

**WARRANTY PERIOD:**

For the first year after purchase by the original owner.

For the second, third, fourth and fifth years after purchase by the original owner.

For service under this warranty, contact your local dealer/retailer, authorized FRIGIDAIRE PARTS AND SERVICE depot or:

**FRIGIDAIRE PARTS AND SERVICE**

7075 Ordan Drive  
Mississauga, Ontario, L5T 1K6  
Tel: (905) 565-9200  
Fax: (905) 565-0937

**WARRANTOR WILL, THROUGH ITS AUTHORIZED SERVICE DEPOT:**

Pay all costs to repair or replace defective parts.

Pay cost (excluding service and labour charge) to replace defective burners.

**WARRANTY APPLIES TO:**

- a) Products purchased and installed in Canada for personal single family household use.
- b) Defects resulting or arising out of the manufacturing process.
- c) Products bearing legible manufacturer's model and serial number.
- d) Replacements parts only for the remainder of the original warranty.

**WARRANTY DOES NOT APPLY TO:**

- a) Transportation damage.
- b) Supply and replacement of porcelain, fuses and glass.
- c) Parts and service supplied or obtained from other than FRIGIDAIRE PARTS AND SERVICE or FRIGIDAIRE PARTS AND SERVICE authorized depots.
- d) Damage or failure as the result of the abuse, improper or commercial use.

**CONSUMER/OWNER RESPONSIBILITY:**

- a) To provide proof of the original date of purchase by means of a bill of sale verifying purchase date.
- b) To pay all costs to make the appliance readily accessible for service.
- c) To ensure proper power supply and connection of the appliance to the same.
- d) Proper installation, control setting and care of finish.

This warranty is in addition to any statutory warranties contained in any applicable legislation. The terms and conditions of this warranty are not intended to exclude or limit your rights under those statutes. The warrantor however reserves the right to charge transportation and travelling costs for distances in excess of 48 kilometers (30 miles) from the nearest FRIGIDAIRE PARTS AND SERVICE authorized service depot.

This warranty plus the statutory warranties mentioned are the only warranties given to the consumer/owner for this product.

# Table de cuisson à gaz

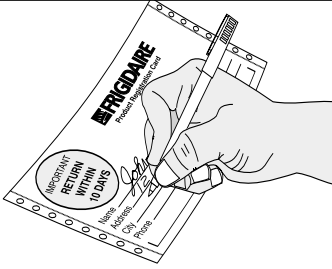
 **FRIGIDAIRE**

## Guide de l'utilisateur

# Enregistrement de l'appareil

## Enregistrez votre appareil

La CARTE D'ENREGISTREMENT doit être remplie avec soin, puis signée et retournée à la compagnie Frigidaire.



Nous vous remercions d'avoir choisi cet appareil. Les informations contenues dans ce guide de l'utilisateur vous indiqueront comment utiliser correctement votre appareil et comment en prendre soin. Veuillez lire tous les renseignements contenus dans votre documentation pour mieux connaître votre nouvel appareil.

## Enregistrez les numéros de modèle et de série de votre appareil

Écrivez ci-dessous ces numéros que vous trouverez sous la table de cuisson ou à l'intérieur de celle-ci.

Numéro de modèle: \_\_\_\_\_

Numéro de série: \_\_\_\_\_

Date de l'achat: \_\_\_\_\_

## Contenu

Ce guide contient des instructions générales pour votre table de cuisson et des renseignements s'appliquant à plusieurs modèles. Votre table de cuisson **peut ne pas** avoir toutes les caractéristiques décrites.

- 3-4 Mesures importantes de sécurité
- 5 Instructions de mise à la terre
- 5 Conversion au gaz propane
- 5 Dimension de la flamme
- 6 Bon réglage des brûleurs
- 6 Commandes des brûleurs de surface
- 7 Choix des ustensiles de cuisine pour la cuisson sur les brûleurs
- 8 Casseroles et sous-plats particuliers
- 8 Conseils et renseignements sur la mise en conserve
- Nettoyage Général
- 9 Nettoyage des diverses parties de votre table de cuisson
- 10 Pour les modèles avec brûleurs ouverts
- 11-12 Pour les modèles avec brûleurs scellés
- 13 Liste des vérifications préventives
- 14 Garantie

**Remarque:** Les instructions données dans ce guide ne couvrent pas toutes les conditions et situations possibles. Usez de bon sens et de prudence lors de l'installation, de l'emploi et de l'entretien de tout appareil ménager.

**⚠ AVERTISSEMENT** Si l'information contenue dans ce guide n'est pas exactement suivie, il pourrait en résulter un feu ou une explosion entraînant des dommages matériels, blessures ou même la mort.

### POUR VOTRE SÉCURITÉ:

n'entrez pas ou n'utilisez pas de l'essence ou tout autre vapeur ou liquide inflammable au voisinage de cet appareil ou de tout autre appareil ménager.

#### — QUE FAIRE SI VOUS DÉTECTEZ UNE ODEUR DE GAZ:

- Ne mettez pas d'appareil en marche.
- Ne touchez pas à un commutateur électrique; ne vous servez pas du téléphone dans le bâtiment.
- Allez chez le voisin et appelez immédiatement le fournisseur de gaz. Suivez ses instructions.
- S'il n'est pas possible d'appeler le fournisseur de gaz, appelez les pompiers

L'installation et l'entretien doivent être réalisés par un installateur qualifié, un technicien de service après-vente ou le fournisseur de gaz.





# Mesures importantes de sécurité

Lisez ces instructions avant d'utiliser l'appareil.  
Conserver ces directives pour référence future.

Ce guide contient des instructions et symboles de sécurité importants. Veuillez faire particulièrement attention à ces symboles et suivre les instructions données. Voici une brève explication de ces symboles.

## **⚠ AVERTISSEMENT**

Ce symbole vous prévient des situations qui risquent d'entraîner de graves blessures, la mort ou des dommages matériels.

## **⚠ ATTENTION**

Ce symbole vous prévient des situations pouvant entraîner des blessures ou dommages matériels.

- **Enlevez tout le ruban et le matériau d'emballage avant d'utiliser la table de cuisson. Détruisez le cartonnage et les sacs en plastique après le déballage de l'appareil.** Ne laissez jamais les enfants jouer avec le matériau d'emballage.
- **Installation—Assurez-vous que l'appareil est correctement installé et mis à la terre par un technicien qualifié, conformément à la dernière édition de la norme ANSI Z223.1 du National Fuel Gas Code aux États Unis, ou au Canada, conformément aux normes B149.1 et B149.2 CAN/ACG et aussi conformément à la dernière édition de la norme n° 70 ANSI/NFPA du National Electrical Code aux États Unis, ou au Canada, à la norme C22.1 de l'ACNOR, code canadien de l'électricité, partie 1, ainsi qu'aux codes de la région.** N'installez l'appareil que selon les instructions d'installation fournies dans la documentation.

Demandez à votre marchand de vous recommander un technicien qualifié ainsi qu'un centre de réparation autorisé. Sachez comment couper le gaz au compteur et couper le courant électrique de la table de cuisson à la boîte de fusibles ou au coupe-circuit en cas d'urgence.

- **Entretien par l'utilisateur—Ne réparez pas ou ne remplacez pas des pièces de l'appareil à moins d'une recommandation précise dans les guides.** Toutes les réparations doivent être faites par un technicien qualifié, afin de réduire les risques de blessure et de dommage à l'appareil.
- **Ne modifiez jamais l'appareil, que ce soit en enlevant des panneaux, protége-fils, ou toute autre pièce.**

## **⚠ AVERTISSEMENT**

Il peut être dangereux pour les personnes ou dommageable pour la table de cuisson de monter ou de s'appuyer dessus. Ne laissez pas les enfants grimper sur l'appareil ou jouer autour.

- **Rangement sur l'appareil—Ne rangez pas sur la table de cuisson ou près des brûleurs de surface, des matériaux inflammables.** Ceci inclus des papiers, plastiques, tissus, livres de cuisine, objets en plastique et torchons, ainsi que des liquides inflammables. N'y posez pas des produits explosifs comme bombes aérosol. Les produits inflammables pourraient exploser et allumer un feu ou causer des dommages matériels.

## **⚠ ATTENTION**

Ne rangez pas des articles pouvant intéresser les enfants dans les armoires au-dessus de l'appareil.

- **Ne laissez pas les enfants sans surveillance dans un lieu où un appareil fonctionne.** Ne les laissez jamais s'asseoir ou se tenir debout sur une pièce quelconque de l'appareil.
- **NE TOUCHEZ PAS AUX BRÛLEURS DE SURFACE, AUX GRILLES OU AUX ZONES À PROXIMITÉ DE CEUX-CI.** Les brûleurs de surface peuvent être suffisamment chauds même si les flammes ne sont pas visibles. Les zones près des brûleurs peuvent devenir suffisamment chaudes pour causer des brûlures. Pendant et après toute utilisation, ne touchez pas et ne laissez pas vos vêtements ou autres produits inflammables venir en contact avec ces zones à moins qu'elles aient eu le temps de se refroidir. Ces zones comprennent la surface de cuisson et les surface orientées vers elle.
- **Portez des vêtements appropriés—Ne portez jamais de vêtement amples ou flottants en utilisant cet appareil.** Ne laissez pas les matériaux inflammables et les vêtements venir en contact avec les surfaces chaudes.

## **⚠ AVERTISSEMENT**

N'utilisez jamais votre appareil pour réchauffer ou chauffer une pièce.

- **N'éteignez pas les feux de friture avec de l'eau ou de la farine—Étouffez les feux avec un couvercle ou du bicarbonate de soude, ou avec un extincteur à poudre sèche ou à mousse.**
- **En chauffant de l'huile ou de la graisse, restez près de l'appareil.** La graisse ou l'huile peuvent prendre feu si elles devenaient trop chaudes.
- **N'utilisez que des gants isolants secs—Des gants isolants mouillés ou humides en contact avec des surfaces chaudes peuvent causer des brûlures par la vapeur.** Ne laissez pas les gants isolants toucher les brûleurs ou la flamme. Ne vous servez pas de torchon ni de chiffon à la place d'un gant isolant.
- **Ne réchauffez pas des contenants non ouverts—L'accumulation de pression peut faire exploser le contenant et blesser.**

# MESURES IMPORTANTES DE SÉCURITÉ (suite)

- **Vous devez savoir quel bouton commande chacun des brûleurs de surface.** Tournez le bouton à la position "LITE" (ALLUMAGE) pour mettre les brûleurs en marche. Vérifiez que le brûleur est allumé puis réglez la flamme pour qu'elle ne dépasse pas de l'ustensile.
- **Protecteurs**—N'utilisez pas de papier d'aluminium pour recouvrir les cuvettes des brûleurs de surface ou toute autre partie de l'appareil. Utilisez seulement le papier d'aluminium pour recouvrir la nourriture durant la cuisson au four. Toute autre utilisation de protecteurs ou de papier aluminium est susceptible de causer un choc électrique, un feu ou un court-circuit.

**⚠ AVERTISSEMENT Bonne dimension de la flamme— Réglez la flamme pour qu'elle ne dépasse pas du bord de l'ustensile.** Avec des ustensiles de dimension insuffisante, une partie de la flamme du brûleur sera exposée et risquera de mettre la feu aux vêtements. Un bon contact entre l'ustensile et la flamme améliore aussi l'efficacité.

**⚠ AVERTISSEMENT N'utilisez pas des grilles de réchaud sur vos brûleurs à gaz scellés.** Sinon, la combustion serait incomplète et il pourrait en résulter un dégagement de monoxyde de carbone à des doses supérieures aux niveaux admis, ce qui serait dangereux pour votre santé.

- **Utilisez la grosseur de casserole appropriée**—Cet appareil est équipé d'un ou plusieurs brûleurs de surface de différentes grosseurs. Choisissez les ustensiles ayant un dessous plat, assez large pour recouvrir le brûleur. Si vous utilisez des ustensiles trop petits, une partie du brûleur sera à découvert, et les vêtements entrant directement en contact avec le brûleur sont susceptibles de prendre feu. L'utilisation d'ustensiles d'une taille proportionnelle au brûleur améliore aussi le rendement.
- **Les poignées d'ustensiles doivent être tournées vers l'intérieur, sans surplomber les brûleurs adjacents,** afin de réduire les risques de brûlure, de combustion et de renversements causés par le contact involontaire avec un ustensile.
- **Ne laissez jamais les brûleurs de surface sans surveillance à des réglages élevés**—Les débordements causent de la fumée, les éclaboussures de graisse sont susceptibles de prendre feu et les ustensiles dont le contenu s'est évaporé peuvent fondre.

- **Ustensile vitrifiés**—En raison de brusques changements de température, on ne peut utiliser avec la surface de cuisson que certains ustensiles en verre, en vitrocéramique ou en terre cuite, ou autres ustensiles vitrifiés, sans risquer qu'ils se fendent. Vérifiez les recommandations du fabricant quant à leur utilisation sur une surface de cuisson.
- **N'utilisez pas de couvercle de brûleur décoratif.** Si un brûleur est accidentellement allumé, le couvercle risque de chauffer et éventuellement de fondre. Vous risquez de vous brûler en touchant le couvercle. Aussi, il y a risque d'endommagement de la surface de cuisson et des brûleurs s'il y a surchauffe du couvercle. L'air sera aussi bloqué, ce qui entraînera des problèmes de combustion.

## SURFACE EN VERRE TREMPÉ (certains modèles):

- **Ne nettoyez pas et ne faites pas fonctionner une table de cuisson avec une vitre cassée**—Si le verre de la surface est fissuré, les solutions de nettoyage et produits renversés pourraient pénétrer à l'intérieur de la surface de cuisson et entraîner un risque de décharge électrique. Prenez contact immédiatement avec un technicien qualifié.
- **Nettoyez prudemment le verre de la surface de cuisson**—Si vous utilisez un linge ou une éponge humide pour enlever les produits renversés sur une surface de cuisson chaude, faites attention à ne pas vous brûler par la vapeur. Certains produits de nettoyage peuvent dégager des vapeurs dangereuses s'ils sont appliqués sur une surface chaude.
- **Ne placez pas d'ustensiles de cuisine chauds sur le verre de la table de cuisson.** Ceci pourrait le casser.
- **Éviter de gratter le verre de la table de cuisson avec des objets pointus.**

# CONSERVEZ CES INSTRUCTIONS

# Instructions de mise à la terre

(modèles à allumage électrique seulement)

**IMPORTANT: LIRE ET CONSERVER CES INSTRUCTIONS.**

**⚠ AVERTISSEMENT** Cet appareil est équipé d'une fiche à trois broches avec mise à la terre pour assurer votre protection contre les chocs électriques. Cette fiche doit être branchée directement dans une prise correctement mise à la terre. **Ne coupez PAS, n'enlevez pas la broche de mise à la terre de cette fiche.**

Pour des raisons de sécurité personnelle, cette table de cuisson doit être correctement mise à la terre. La fiche doit être branchée dans une prise correctement polarisée et mise à la terre, de 120 volts, 60 hertz.

Si une prise murale à deux alvéoles est la seule prise à votre disposition, il vous revient de demander à un électricien qualifié de la remplacer par une prise murale à trois alvéoles correctement mise à la terre.

EN AUCUN CAS, IL NE FAUT COUPER OU ENLEVER LA BROCHE DE MISE À LA TERRE DE CETTE FICHE. CONSULTEZ LES INSTRUCTIONS D'INSTALLATION EMBALLÉES AVEC CET APPAREIL POUR Y TROUVER TOUS LES RENSEIGNEMENTS SUR L'INSTALLATION ET LA MISE À LA TERRE. VOUS NE DEVEZ JAMAIS VOUS SERVIR DE L'APPAREIL AVEC UN CORDON PROLONGATEUR OU D'UNE FICHE D'ADAPTATION À DEUX BROCHES.

## Conversion au gaz propane

**⚠ AVERTISSEMENT** Un choc électrique ou des dommages à la table de cuisson peuvent se produire si celle-ci n'est pas installée par un électricien ou installateur qualifié.

Cet appareil peut être utilisé avec le gaz naturel ou le gaz propane. Il est expédié de l'usine pour fonctionner au gaz naturel.

Si vous désirez convertir votre table de cuisson pour qu'elle fonctionne au gaz propane, pour certains modèles, consultez le feuillet d'installation pour savoir quel est le numéro du kit de service conversion à commander (Modèles avec brûleurs scellés seulement).

Pour d'autres modèles, le kit de service conversion est fourni avec l'appareil, servez-vous des orifices fournis dans l'enveloppe portant l'inscription "POUR LA CONVERSION AU GAZ PROPANE" qui se trouve dans la pochette des documents. Suivez les instructions d'installation se trouvant dans l'enveloppe (Modèles avec brûleurs scellés seulement).

Pour les modèles avec brûleurs ouverts, suivez les instructions de conversion qui se trouvent dans le feuillet instructions d'installation.

La conversion doit être réalisée par un technicien qualifié conformément aux instructions du fabricant et de tous les codes et exigences des autorités ayant juridiction. Sinon, il pourrait en résulter de graves blessures ou des dommages matériels. L'agence qualifiée réalisant ces travaux assume la responsabilité de la conversion.

## Dimension de la flamme

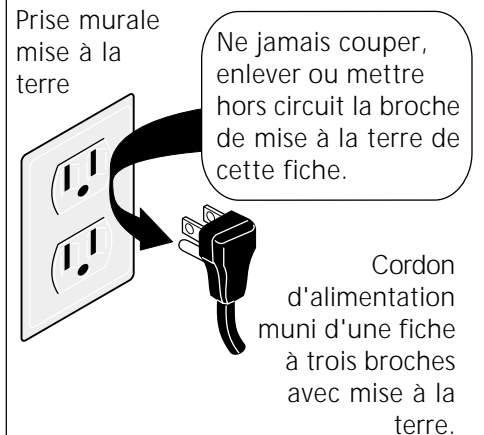
**Pour presque tous les types de cuisson**, commencez par le réglage le plus élevé, puis tournez sur un réglage plus faible pour terminer la cuisson. Suivez le tableau ci-dessous pour déterminer la bonne dimension de la flamme correspondant aux différents types de cuisson. La dimension et le type d'ustensiles utilisés ainsi que la quantité d'aliments à cuire influencent le réglage nécessaire pour la cuisson.

**Pour la grande friture**, servez-vous d'un thermomètre et réglez la commande en conséquence. Si la graisse est trop froide, la nourriture absorbe la graisse. Si la graisse est trop chaude, la nourriture brunit rapidement et le centre n'est pas cuit. N'essayez pas de frire à un feu élevé une trop grande quantité à la fois, la nourriture risquant de brunir ou de ne pas cuire correctement.

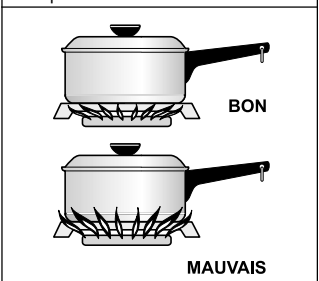
Dimension de la flamme	Type de cuisson
FLAMME HAUTE ("HI")	Pour débiter la cuisson, pour faire bouillir de l'eau, pour faire griller de la viande
FLAMME MOY ("MED")	Maintien d'une ébullition lente; épaissement des sauces; cuisson à la vapeur
FLAMME BASSE ("LO")	Mijotage, pochage, continuation de la cuisson

\* Certains réglages sont basés sur l'utilisation de casseroles en aluminium de poids moyen avec couvercle. Les réglages peuvent varier avec d'autres types de casseroles.

**⚠ AVERTISSEMENT** Éviter tout risque de feu ou de choc électrique. Ne pas utiliser de cordon prolongateur ni de fiche d'adaptation. Ne pas enlever la broche de mise à la terre du cordon électrique. Si cet avertissement n'était pas suivi, il pourrait en résulter de graves blessures, la mort ou un incendie.



Ne laissez jamais la flamme dépasser du bord extérieur de l'ustensile. Une flamme plus haute gâche chaleur et énergie et augmente les risques de brûlure.



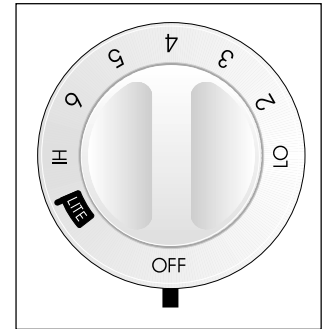
## Bon réglage des brûleurs

La couleur de la flamme est la clé d'un bon réglage. La flamme doit être transparente, bleue, et à peine visible dans une pièce bien éclairée. Le cône doit être uniforme, aux contours précis. Réglez ou nettoyez le brûleur si la flamme est jaune-orange. Pour nettoyer le brûleur, voyez les instructions à la section **Nettoyage général**.

## Commandes des brûleurs de surface

### Emploi du brûleur de surface:

1. Placez l'ustensile sur le brûleur.
2. Appuyez sur le bouton de commande et tournez-le sur "LITE" (ALLUMAGE).
3. Vérifiez que le brûleur est bien allumé.
4. Après allumage du brûleur, tournez le bouton jusqu'à l'obtention de la dimension de la flamme voulue. Le bouton peut alors être tourné à droite ou à gauche sans avoir à être poussé. Les boutons n'ont pas à être réglés à un repère particulier. Servez-vous des guides et réglez la flamme au besoin. Ne cuisez PAS avec le bouton à la position "LITE" (ALLUMAGE), vous risquez d'user l'électrode de l'allumeur.
5. Pour arrêter le brûleur, tournez le bouton de commande le plus loin possible à droite jusqu'à "OFF" (ARRÊT).



### Modèles avec allumeur électrique

En cas de panne de courant, les brûleurs peuvent s'allumer à la main. Pour ce faire, approchez une allumette de la tête du brûleur puis tournez lentement la commande sur "LITE" (ALLUMAGE). Ensuite, tournez le bouton à la dimension de la flamme voulue. Soyez prudent lorsque vous allumez manuellement les brûleurs.

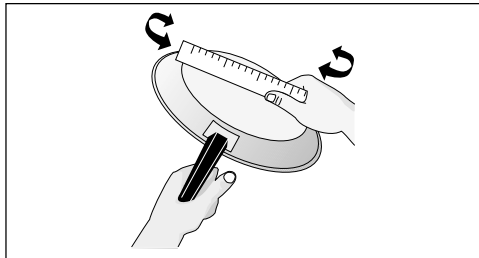
Les brûleurs de surface en cours d'utilisation lors d'une panne de courant continuent de fonctionner normalement.

**ATTENTION** Ne faites pas fonctionner le brûleur pendant une période de temps prolongée sans casserole sur la grille. Le fini de la grille pourrait s'écailler si aucune casserole n'absorbe la chaleur.

**ATTENTION** Ne placez pas de salière et poivrière en plastique, de porte-cuillère ou d'emballage plastique sur le dessus de la table de cuisson en cours d'utilisation. Ces articles peuvent fondre ou s'enflammer. Gants isolants, torchons ou cuillères en bois peuvent prendre feu s'ils sont placés trop près d'une flamme.

# Choix des ustensiles de cuisine pour la cuisson sur les brûleurs

Pour de meilleurs résultats de cuisson et pour conserver l'énergie, utiliser des ustensiles de cuisson qui possèdent les caractéristiques suivantes:



Le fond des casseroles doit être plat. Vérifiez que le fond est plat en faisant tourner une règle sur le fond de la casserole. Il ne devrait pas y avoir d'espace entre la casserole et la règle.

**Remarque:** Utiliser toujours les ustensiles pour l'usage auquel ils ont été conçus. Suivez les instructions du fabricant. Certains ustensiles de cuisine ne peuvent être utilisés au four ou sur les foyers.

**Remarque:** L'utilisation d'une plaque recouvrant plus d'un brûleur n'est pas conseillée. Cette pratique pourrait endommager votre appareil et occasionner un dégagement de monoxyde de carbone à des doses supérieures des niveaux admis, ce qui serait dangereux pour votre santé.

**\*BON**

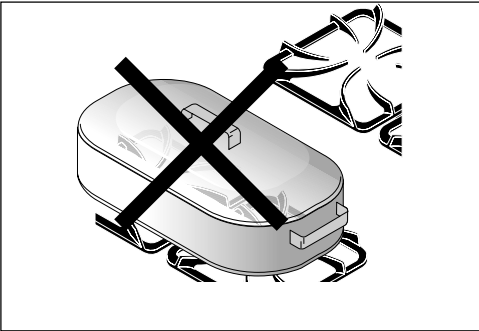
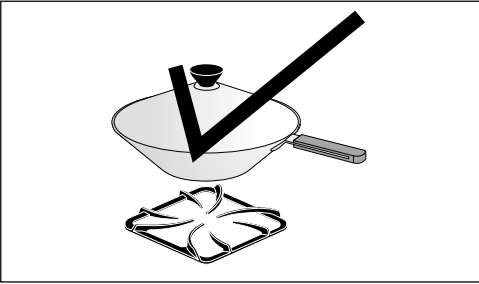
- Fond plat et côtés droits.
- Couvertres qui ferment hermétiquement
- Le poids du manche ne fait pas basculer la casserole. La casserole est bien équilibrée.
- Les tailles des casseroles correspondent à la quantité d'aliments à faire cuire.
- Matériau qui conduit bien la chaleur.
- Facile à nettoyer.

**MAUVAIS**

- Fonds incurvés et déformés.
- La casserole déborde du brûleur de plus de 2.5cm (1").
- Manche trop lourd qui fait basculer la casserole.
- Le foyer déborde des bords de la casserole.

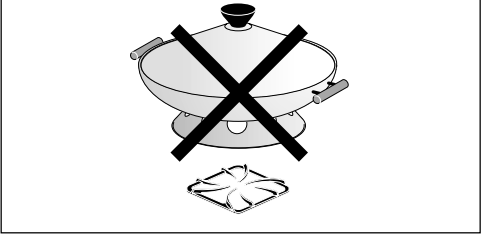
\* Les casseroles de forme particulière comme les casseroles à homard, les woks à fond plat, les plaques chauffantes et les autocuiseurs peuvent être utilisées, mais elles doivent respecter les normes décrites ci-dessus.

## Casseroles et sous-plats particuliers



La plupart des boutiques d'articles de cuisine et des quincailleries offrent des **Woks** à fond plat qui conviennent à cette surface de cuisson. Les woks à fond rond (pourvus d'un anneau de support qui ne dépasse pas le contour du brûleur) peuvent également être utilisés. L'anneau métallique est conçu pour soutenir le wok de façon sécuritaire lorsqu'il contient une grande quantité de liquide (soupe) ou de graisse (friture).

NE PAS utiliser un wok pourvu d'un anneau métallique de support qui dépasse le contour du brûleur. Étant donné que cet anneau retient la chaleur, il pourrait endommager le brûleur ou la surface de cuisson.



**Sous-plats métalliques** : Ne pas utiliser de sous-plats métalliques. Le fond de la casserole doit être en contact direct avec la grille du brûleur.

**ATTENTION** NE PAS utiliser deux brûleurs à la fois pour chauffer une grande casserole comme une rôtissoire ou une plaque chauffante, ni laisser chauffer l'ustensile jusqu'à ce que tout le liquide s'évapore. Dans ces deux cas, le fond de la casserole risquerait de décolorer ou de craqueler la surface de cuisson de l'appareil et d'endommager les grilles et les brûleurs.

## Conseils et renseignements sur la mise en conserve

**ATTENTION** La mise en conserve peut générer une grande quantité de vapeur. User d'une grande prudence pour prévenir les blessures. Toujours soulever le couvercle de façon à diriger la vapeur à l'opposé des personnes.



1. Utiliser des recettes éprouvées et suivre les directives attentivement. Consulter un service de vulgarisation agricole ou un fabricant de bocaux en verre pour les données les plus récentes sur la mise en conserve.
2. Utiliser uniquement des casseroles de mise en conserve à fond plat. La chaleur se répartit plus uniformément lorsque le fond de la casserole est plat.
3. Centrer la casserole de mise en conserve sur la grille du brûleur.
4. Verser de l'eau chaude dans la casserole et régler le brûleur à une température élevée pour accélérer l'ébullition; réduire la température le plus possible tout en maintenant une ébullition constante.
5. Il est préférable de mettre de petites quantités d'aliments en conserve à la fois.

**ATTENTION** Pour ne pas endommager la surface de cuisson ou la grille des brûleur :

1. Ne pas utiliser les grandes casseroles ou les autocuiseurs de mise en conserve qui dépassent de plus de 2,5 cm (1") la grille du brûleur.
2. Ne pas laisser les grandes casseroles ou les autocuiseurs de mise en conserve à une température élevée trop longtemps.
3. Utiliser un brûleur différent pour chaque nouvelle charge de mise en conserve pour permettre au brûleur et à la surface avoisinante de refroidir. Éviter d'utiliser le même brûleur pendant toute une journée pour la mise en conserve.

**ATTENTION** Pour que la mise en conserve soit sécuritaire, les micro-organismes dangereux doivent être détruits et les pots bien scellés. Lorsqu'une grande casserole de mise en conserve est utilisée, il faut maintenir une ébullition légère mais constante pendant toute la durée requise.

# Nettoyage Général

## Nettoyage des diverses parties de votre table de cuisson

Avant de nettoyer quelque partie de votre table de cuisson, assurez-vous que toutes les commandes sont tournées à "OFF" (ARRÊT) et qu'elle s'est refroidie. ENLEVEZ LES ÉCLABOUSSURES ET LES GROSSES TACHES DÈS QUE POSSIBLE. DES NETTOYAGES RÉGULIERS PERMETTENT DE RÉDUIRE ULTÉRIEUREMENT LE NOMBRE DE NETTOYAGES IMPORTANTS.

Surfaces	Méthode de nettoyage
<b>Aluminium (Moulures) &amp; Vinyle</b>	Utilisez de l'eau chaude savonneuse et un chiffon en tissu. Asséchez avec un chiffon propre.
<b>Verre, parties peintes, et en plastique, boutons de contrôle, pièces du châssis et moulure décorative</b>	<i>Pour le nettoyage général</i> , utilisez de l'eau chaude savonneuse et un chiffon en tissu. Pour la saleté plus rebelle et la graisse accumulée, appliquez un détergent liquide sur la tache. Laissez pénétrer de 30 à 60 minutes. Rincez avec un chiffon humide et asséchez. <b>N'UTILISEZ PAS</b> de nettoyeurs abrasifs sur aucune de ces parties; ils peuvent les égratigner.
<b>Panneau de commandes</b> 	<i>Avant de nettoyer le panneau de commandes</i> , tournez tous les boutons de commande à ARRÊT (OFF) et retirez les boutons de l'appareil. Tirez-les hors des axes en exerçant une traction verticale sur le bouton. <i>Nettoyez-les</i> tel qu'indiqué ci-dessus. Tordez le linge pour en enlever le surplus d'eau avant de laver le panneau, tout particulièrement à proximité des axes des commandes. Un excès d'eau près des commandes peut causer des dommages à l'appareil. Pour replacer les boutons après le nettoyage, alignez le plat de l'axe de la commande avec le plat dans la cavité du bouton et enfoncez le(s) bouton(s) à fond.
<b>Acier inoxydable, Chrome garniture décorative</b>	Un nettoyage léger avec un tampon à récurer savonneux enlèvera la plupart des taches. Rincez avec une solution composée d'une quantité égale d'eau propre et d'une partie d'ammoniaque. Recouvrez les taches rebelles d'une serviette de papier imbibée d'ammoniaque pendant 30 minutes. Nettoyez bien avec un tampon en nylon et rincez avec de l'eau claire. Les nettoyeurs conçus spécialement pour l'acier inoxydable ou le chrome sont recommandés. Le surchauffage cause des taches bleuâtres qui ne peuvent être délogées sur l'acier inoxydable ou le chrome. Enlevez les nettoyeurs, sinon les chauffages futurs pourraient endommager le fini.
<b>Émail vitrifié</b> Grille des brûleurs, cuvettes des brûleurs (certains modèles), anneaux des brûleurs (certains modèles)	<p>Nettoyez dans le lave-vaisselle et asséchez-les à leur sortie. Pour la saleté résiduelle suivez les instructions de nettoyage de la plaque de cuisson ci-dessous.</p> <p>Un récurage léger avec un tampon à récurer savonneux enlèvera la plupart des taches. Rincez avec une solution composée d'une quantité égale d'eau propre et d'ammoniaque. Au besoin, recouvrez les taches rebelles d'une serviette de papier imbibée d'ammoniaque pendant 30 à 40 minutes. Rincez à l'eau propre avec un chiffon humide et récurer par la suite avec un tampon saponifié. Rincez et asséchez avec un chiffon propre. Enlevez tout résidu de nettoyeurs car la porcelaine peut être endommagée lors d'un chauffage ultérieur. <b>N'UTILISEZ PAS</b> de nettoyeurs à four en vaporisateur sur le dessus de la table de cuisson.</p>
<b>Brûleurs de surface</b>	<p>Les orifices des brûleurs de la table de cuisson doivent être toujours propres pour assurer un allumage correct et complet, et une flamme régulière. Nettoyez les brûleurs régulièrement et surtout après un déversement pouvant obstruer les orifices.</p> <p>Pour démonter et remonter les brûleurs, suivez les instructions de la section nettoyage général. Pour les nettoyer, laissez-les tremper dans une solution faite d'une partie d'ammoniaque et d'une partie d'eau pendant 30 à 40 minutes. Pour les taches rebelles, frottez-les avec une eau savonneuse ou un nettoyeur abrasif doux à l'aide d'un linge humide. Faites ensuite sécher les brûleurs à fond dans un four chaud pendant 30 minutes. Remplacez-les ensuite, tout en vous assurant qu'ils sont fermement assis et de niveau. <b>NE LAVEZ PAS</b> les pièces des brûleurs au lave-vaisselle.</p>

## Nettoyage général (suite)

### Modèles avec brûleurs ouverts (certains modèles)

#### Soulèvement ou abaissement du dessus pour l'entretien

La table de cuisson est attachée par des charnières et peut être soulevée pour nettoyer la zone au-dessous. Assurez-vous que les commandes de la table de cuisson sont à la position "OFF" (ARRÊT) et que les grilles des brûleurs sont refroidies.

1. Retirez les boutons de commande, les grilles de brûleurs et les cuvettes de débordement. Mettez-les de côté.
2. Soulevez le devant de la table de cuisson. Quelques modèles ont une tige de retenue pour soutenir la surface en position élevée.
3. Nettoyer le dessous de la table de cuisson.
4. Abaissez doucement le dessus après avoir rabaissé la tige de retenue (pour certains modèles).
5. Remplacez les cuvettes, les grilles et les boutons de commande.

**⚠ AVERTISSEMENT** Quand vous soulevez le dessus de la table de cuisson, soulevez les cotés seulement avec le bout des doigts. Faites attention de ne pas vous pincer les doigts. Ne laissez pas tomber ou ne penchez pas la table de cuisson lorsque vous la soulevez ou l'abaissez, elle pourrait être endommagée.

**⚠ AVERTISSEMENT** N'allumez pas les brûleurs lorsque la surface de cuisson est soulevée durant le nettoyage. Assurez-vous de rabaissé la table de cuisson et remettez-la en parfaite position avant d'allumer les brûleurs.

#### Pour enlever et replacer les brûleurs

Les brûleurs de votre table de cuisson peuvent être enlevés pour être nettoyé. Assurez-vous que les commandes de la table de cuisson sont à la position "OFF" (ARRÊT) et que les grilles des brûleurs sont refroidies.

##### Retrait des brûleurs

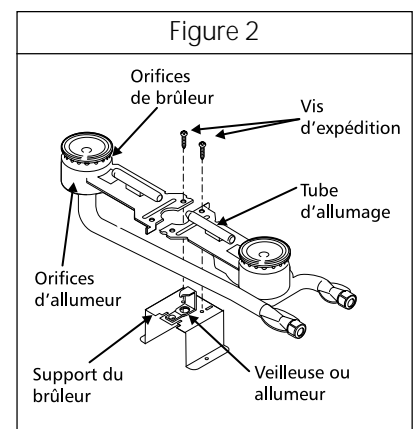
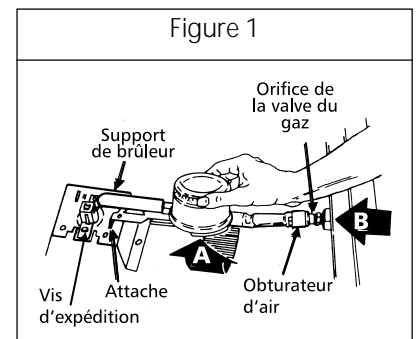
1. Retirez les vis d'expédition du support de brûleur de la fixation. Voir les illustration pour l'emplacement des vis.
2. Soulevez les têtes de brûleurs et basculez-les vers la droite pour relâcher l'attache du support du brûleur (A de la figure 1).
3. Soulevez le bout de l'ensemble du brûleur. Éloignez-le ensuite du devant de la table de cuisson pour libérer l'obturateur d'air de l'orifice de la soupape du gaz (B de la figure 1).

Vérifiez l'ouverture des allumeurs et des brûleurs (figure 2). S'ils sont obstrués, débouchez-les à l'aide d'un fil ou d'une aiguille.

Pour retirer la nourriture brûlée, trempez les brûleurs dans une solution faite de vinaigre et d'eau pendant 20 à 30 minutes. Pour les taches rebelles, frottez-les avec une eau savonneuse ou un nettoyeur abrasif doux à l'aide d'un linge humide. NE LAVEZ PAS les brûleurs au lave-vaisselle.

##### Réinstallation des brûleurs

1. Glisser l'obturateur d'air sous l'orifice de la soupape de gaz (figure 1).
2. Abaissez l'ensemble du brûleur et glissez les attaches dans les fentes du support de brûleur. Assurez-vous que c'est bien replacé et de niveau.
3. Assurez-vous que les deux attaches sont dans les bonnes fentes. Le brûleur doit être de niveau et d'équerre. Le tube doit former une ligne de l'allumeur au brûleur (figure 2).
4. Ne pas replacer les vis. L'allumage pourrait être affecté. Ces vis ne sont pas essentielles au bon fonctionnement du brûleur. Elles stabilisent les brûleurs au cours du transport de l'appareil. Conservez les vis pour les utiliser si vous devez déplacer l'appareil dans le futur.





## Nettoyage général (suite)

### Modèles avec brûleurs scellés (certains modèles)

#### Nettoyage de la surface de cuisson

La surface de cuisson est conçue pour faciliter le nettoyage. Parce que les quatre brûleurs sont scellés, l'entretien est facile lorsque les renversements sont immédiatement nettoyés. Pour nettoyer, essuyez avec un essuie-tout humide et propre, et séchez.

#### Surface en verre trempé (certains modèles)

Il est essentiel de bien nettoyer régulièrement votre table de cuisson. Les renversements et les éclaboussures doivent être essuyés à l'aide d'un essuie-tout propre et d'eau savonneuse dès que possible, après la fin de la cuisson ou au plus tard avant d'utiliser à nouveau la table de cuisson. Soyez prudent si la table de cuisson est chaude. Si les quantités renversées sont importantes, ou si les aliments ont brûlés ou collés, servez-vous d'un grattoir à lame de rasoir. Tenez le grattoir à un angle de 30° et enlevez les éclaboussures ou résidus brûlés.

**Terminez le nettoyage** en appliquant une crème de nettoyage spéciale pour table de cuisson à verre thermorésistant. Appliquez le produit avec un papier essuie-tout propre et humide. Rincez avec de l'essuie-tout trempé dans de l'eau propre puis essuyez. *Essuyez toujours la table de cuisson pour éviter de chauffer des résidus du produit de nettoyage.*



#### N'utilisez PAS les produits suivants sur une table de cuisson en verre thermorésistant:

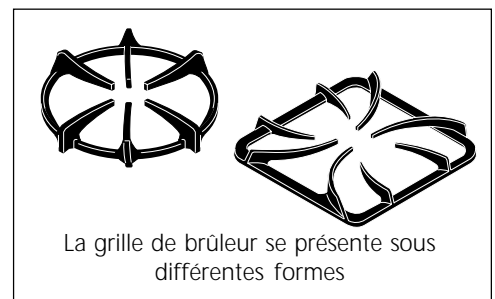
- Tampons de nettoyage en tissu ou en métal, en nylon ou en plastique abrasif. Ils risquent d'égratigner la surface de cuisson et de rendre plus difficile le nettoyage par la suite. Utilisez toujours de l'essuie-tout propre pour nettoyer la surface.
- Tout ce qui peut fondre (plastique, aluminium, sucre ou aliment à teneur élevée en sucre).
- Produits de nettoyage pour travaux durs, produits anti-taches ou antirouille.
- Javellisants au chlore, ammoniac, acide fluorhydrique ou tout autre produit de nettoyage chimique. Ils risquent de décolorer la surface de cuisson ou d'entraîner des réactions en profondeur.
- Éponges, linges ou torchons. Servez-vous toujours d'essuie-tout propre pour nettoyer la surface de cuisson. La charpie ou saleté restant sur la surface de cuisson après nettoyage à l'éponge ou avec un linge pourrait brûler et entraîner une décoloration.

## Nettoyage des grilles de brûleurs, des cuvettes de brûleurs, des couvercles de brûleurs et des bases de brûleurs

Les grilles de brûleurs, les cuvettes de brûleurs, les couvercles de brûleurs et les bases de brûleurs doivent être nettoyés régulièrement. Les orifices doivent être propres pour empêcher un mauvais allumage et une flamme inégale. Voyez ci-dessous.

#### Nettoyage des grilles de brûleurs

**Assurez-vous que les grilles et les brûleurs sont froids** avant d'y placer la main, un gant isolant, des linges de nettoyage ou toute autre substance. Les grilles en fonte peuvent être lavées dans de l'eau savonneuse chaude. Rincez-les bien (enlevez tout résidu de nettoyeurs car la porcelaine peut être endommagée lors d'un chauffage ultérieur) et séchez-les avec un linge. Ne les placez pas sur la table de cuisson si elles sont encore humides. Assurez-vous que les grilles sont bien placées sur les brûleurs.



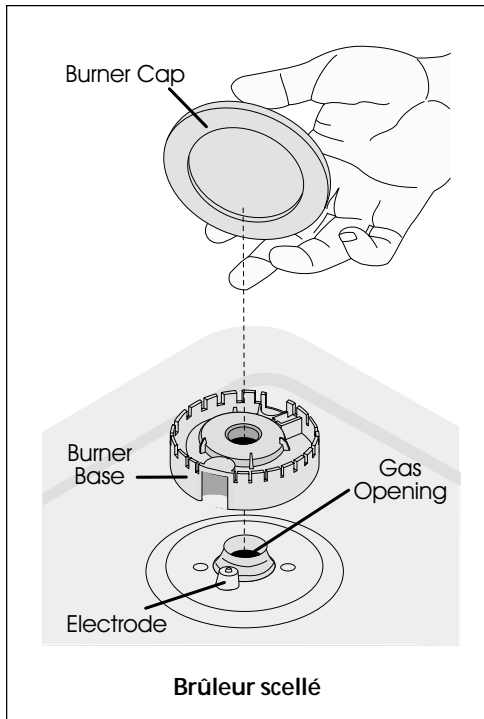
Pour enlever la nourriture cuite sur les grilles, placez-les dans un récipient fermé ou un sac en plastique, ajoutez 1/4 de tasse d'ammoniac et faites tremper pendant 30 minutes. Lavez, rincez et bien séchez. Un produit de nettoyage abrasif peut être utilisé pour les taches rebelles.

#### Nettoyage des cuvettes de brûleurs

Les cuvettes de propreté sont fixées à la surface de cuisson et ne sont pas amovibles. La cuvette de propreté forme une zone en retrait autour de chaque brûleur. En cas de renversement dans l'une des zones, épongez avec un linge absorbant, rincez bien avec un linge humide et propre puis essuyez.

#### Nettoyage des couvercles de brûleurs

Enlevez le couvercle. Utilisez un tampon à récurer rempli de savon ou un produit de nettoyage légèrement abrasif. Au besoin, recouvrez les taches rebelles pendant 30 minutes d'un essuie-tout trempé dans l'ammoniac. Frottez doucement avec un tampon à récurer rempli de savon et rincez avec un mélange d'eau propre et de vinaigre. Enlevez tous les produits de nettoyage sinon l'émail risque de s'abîmer lorsqu'il sera chauffé.



## Nettoyage général (suite)

### Modèles avec brûleurs scellés (certains modèles)

#### Nettoyage de la base amovible du brûleur et des orifices de sortie du gaz (certains modèles)

Les orifices (ou fentes) autour de la base des brûleurs doivent être nettoyés régulièrement. Servez-vous d'un fil fin ou d'une aiguille.

**Remarque:** Si l'électrode est endommagée ou cassée, le brûleur ne s'allumera pas parce que l'étincelle n'aura pas lieu. Il sera toujours possible d'allumer avec une allumette.

Pour permettre une bonne circulation du gaz et l'allumage du brûleur, NE LAISSEZ PAS DE RENVÈREMENTS, NOURRITURE, PRODUITS DE NETTOYAGE OU AUTRES PRODUITS PÉNÉTRER DANS LES TUBES DE SORTIE DE GAZ. Le gaz doit circuler librement par la petite lumière de l'orifice en laiton pour que le brûleur s'allume correctement. Si l'orifice est souillé ou obstrué, utilisez un fil ou une aiguille fine pour le nettoyer. Laissez TOUJOURS le couvercle en place lorsque le brûleur est en fonction.

#### Remise en place de la base du brûleur et du couvercle

Assurez-vous que les pièces sont parfaitement sèches avant de les remettre en place.

1. Remettez la base du brûleur.
2. Remplacez le couvercle.
3. Remplacez la grille du brûleur.
4. Allumez le brûleur. S'il ne s'allume pas après le nettoyage, communiquez avec un réparateur autorisé. Ne réparez pas vous-même un brûleur défectueux.

## Liste des vérifications préventives

Avant d'appeler un agent de service après-vente, consultez cette liste. Elle pourrait vous économiser temps et argent. Cette liste décrit des situations courantes qui ne sont causées ni par un défaut de fabrication ni par un matériau défectueux.

PROBLÈME	CAUSE POSSIBLE/SOLUTION
<b>Les brûleurs de surface ne s'allument pas.</b>	La commande n'est pas complètement sur "LITE" (ALLUMAGE). Appuyez sur la commande et tournez-la sur "LITE" jusqu'à allumage de brûleur, puis tournez la commande à la bonne dimension de la flamme voulue.
	La soupape d'arrivée de gaz est fermée. Ouvrez-la
	Le mélange gaz et air doit être en ligne droite. Assurez-vous que le brûleur est bien installé sur son support (brûleurs ouverts seulement).
	Les orifices des brûleurs sont obstrués. Le brûleur étant éteint, débouchez les orifices à l'aide d'un fil métallique ou d'une aiguille.
	Le cordon d'alimentation est débranché (modèles avec allumeur électrique). Assurez-vous que le cordon est bien fiché dans la prise de courant.
	Panne de courant (modèles à allumage électrique seulement). Les brûleurs peuvent être allumés manuellement. Voyez la section Commandes des brûleurs de surface dans ce guide.
<b>La flamme n'est pas complète autour des brûleurs</b>	Les orifices des brûleurs sont obstrués. Le brûleur étant éteint, débouchez les orifices à l'aide d'un fil métallique fin ou d'une aiguille.
	De l'humidité reste après le nettoyage. Ventilez légèrement la flamme et laissez le brûleur fonctionner jusqu'à ce que la flamme soit complète. Séchez soigneusement les brûleurs (voyez la section nettoyage général).
<b>La flamme est orange.</b>	Des particules de poussière se trouvent dans la conduite principale. Laissez le brûleur fonctionner quelques minutes jusqu'à ce que la flamme devienne bleue.
	Air salé dans zones côtières. Une flamme légèrement orange est inévitable.



## **GARANTIE (pour le Canada)**

### **TABLE DE CUISSON À GAZ**

#### **GARANT:**

FRIGIDAIRE HOME PRODUCTS  
7075 Ordan Drive  
Mississauga, Ontario  
L5T 1K6

Cette table de cuisson est un produit qui porte l'une des marques de Frigidaire Home Products, division de WCI Canada Inc.

#### **DURÉE DE LA GARANTIE:**

La première année suivant la date d'achat par le propriétaire initial.

La deuxième, troisième, quatrième et cinquième année suivant la date d'achat par le propriétaire initial.

#### **LA GARANTIE S'APPLIQUE:**

- a) Aux produits achetés et installés au Canada, pour l'usage personnel d'une seule famille.
- b) Aux défauts dus ou consécutifs à la fabrication.
- c) Aux produits portant un numéro de modèle et un numéro de série du fabricant, lisible.
- d) Aux pièces de rechange seulement pendant la durée de la garantie initiale qui reste à couvrir.

#### **LA GARANTIE NE S'APPLIQUE PAS:**

- a) Aux dommages causés par le transport.
- b) À la fourniture ni au remplacement des pièces en porcelaine et en verre, ni aux fusibles.
- c) Aux pièces ni au service fournis ou obtenus par d'autres que FRIGIDAIRE - PIÈCES ET SERVICE ou un dépositaire de service autorisé par FRIGIDAIRE - PIÈCES ET SERVICE.
- d) Aux dommages ni aux défaillances résultant d'un usage abusif, incorrect ou commercial.

#### **RESPONSABILITÉ DU CONSOMMATEUR/PROPRIÉTAIRE:**

- a) Fournir une preuve de la date originale de l'achat au moyen d'une facture faisant état de la date d'achat.
- b) Payer tous les frais nécessaires pour que l'appareil soit accessible aux fins de réparation.
- c) Assurer une alimentation électrique adéquate et un raccordement électrique bien adapté fait à celle-ci.
- d) L'installation adéquate, le réglage exact des commandes et l'entretien du revêtement.

Cette garantie est en sus de toute garantie légale contenue dans toute législation applicable. Les conditions de cette garantie ne sont pas destinées à exclure ou à limiter vos droits en vertu de ces lois. Le garant se réserve toutefois le droit de facturer les frais de transport et de déplacement, lorsque la distance est supérieure à 48 kilomètres (30 milles) du dépositaire de service autorisé par FRIGIDAIRE - PIÈCES ET SERVICE le plus proche.

Cette garantie, plus les garanties légales déjà mentionnées, sont les seules garanties fournies au consommateur/propriétaire pour ce produit.

Pour obtenir le service prévu par cette garantie, communiquez avec votre détaillant, un dépositaire de service autorisé par FRIGIDAIRE - PIÈCES ET SERVICE, ou:

#### **FRIGIDAIRE - PIÈCES ET SERVICE**

7075 Ordan Drive  
Mississauga, Ontario L5T 1K6  
Tel: (905) 565-9200  
Fax: (905) 565-0937

#### **LE GARANT PAR L'ENTREMISE DE SON DÉPOSITAIRE DE SERVICE AUTORISÉ:**

Réparera ou remplacera gratuitement toutes les pièces défectueuses.

Remplacera gratuitement (le service et la main-d'oeuvre non compris pour l'installation) les brûleurs défectueux.

## Free Manuals Download Website

<http://myh66.com>

<http://usermanuals.us>

<http://www.somanuals.com>

<http://www.4manuals.cc>

<http://www.manual-lib.com>

<http://www.404manual.com>

<http://www.luxmanual.com>

<http://aubethermostatmanual.com>

Golf course search by state

<http://golfingnear.com>

Email search by domain

<http://emailbydomain.com>

Auto manuals search

<http://auto.somanuals.com>

TV manuals search

<http://tv.somanuals.com>