



Freestanding Ranges

CGEF3077K W/B

30" Electric



Signature Features



Fits-More™ Oven

A unique rack configuration creates more cooking space.



Quick Preheat

Preheat in less than six minutes.¹



True Convection

With True Convection, you can easily and evenly bake 200 chicken nuggets in 10 minutes.²



Quick Boil

Boil water faster with our 3,000-watt element.

Effortless Performance

- Auto Shut-Off
- Power Broil (3,900W)
- Quick Clean Option
- Effortless™ Convection Conversion

Performance-Driven Style

- Express-Select™ Controls
- Effortless™ Oven Rack
- Even Baking Technology
- Smoothtop Ceramic Glass Cooking Surface

SpaceWise™ Design

- SpaceWise™ Half Rack
- Keep Warm Zone (100W)
- SpaceWise™ Expandable Element – 6" to 9" (1,200W / 3,000W)
- SpaceWise™ Expandable Element – 6" to 9" to 12" (1,000W / 2,000W / 2,700W)
- Fits-More™ Cooktop

One-Touch Options

- Chicken Nuggets
- Pizza
- Keep Warm
- Add-a-Minute
- One-Touch Self Clean

More Easy-To-Use Features

- Keep Warm Drawer with SpaceWise™ Half Rack
- Delay Start
- Hidden Bake Element
- Wide-View Window

Sabbath Mode (Star-K® Certified)

Capacities

6.0 Cu. Ft. Oven Capacity

Overall Exterior Dimensions

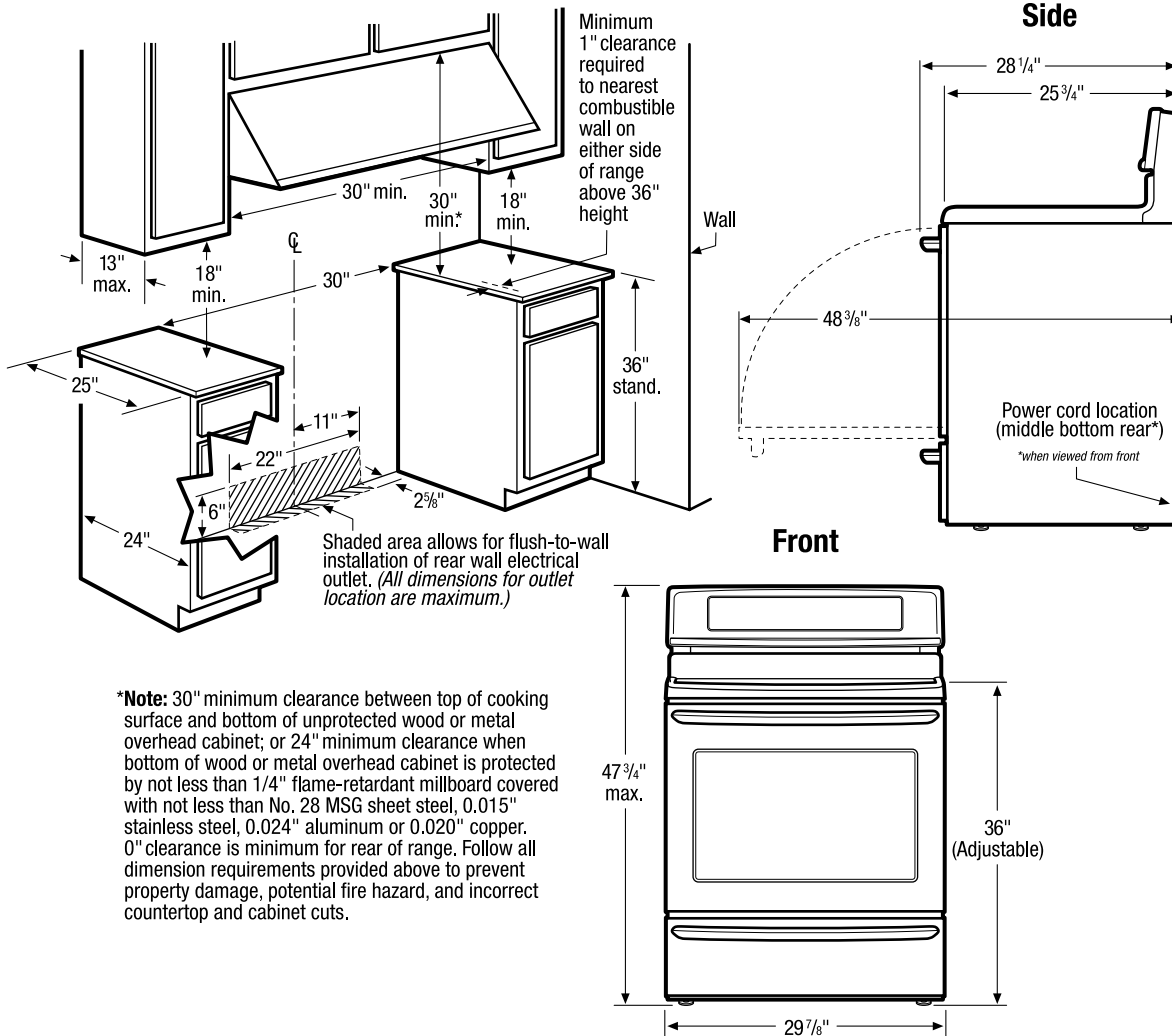
Height	47"
Width	29-7/8"
Depth	28-1/4"

Available in:



¹ Based on single rack cooking performance, not set temperature, using Quick Preheat.

² With convection bake at 400 degrees excluding preheat time.



Freestanding Range Specifications

- Product Shipping Weight (approx.) - 210 Lbs.
- Single phase 3- or 4-wire cable, 120/240 or 120/208 Volt, 60 Hertz, fused on both sides of line with ground.
- Connected Load (kW Rating) @ 240/208 Volts = 13.5/10.0kW
- Recommended Circuit Breaker - 40 Amps
- Always consult local and national electric codes.
- Floor beneath range MUST be solid and level.
- Overhead cabinetry should not exceed a 13" maximum depth.
- Absolute minimum horizontal distance between overhead cabinets installed to either side of appliance must be no less than maximum width of appliance.
- Range can be installed flush to wall with 0" minimum rear clearance.
- Minimum 1" clearance required from edge of rangetop to nearest combustible wall on either side of range above 36" height.

- Allow 30" minimum clearance between top of cooking surface and bottom of unprotected wood or metal overhead cabinet; or 24" minimum clearance when bottom of wood or metal overhead cabinet is protected by not less than 1/4" flame retardant millboard covered with not less than No. 28 MSG sheet steel, 0.015" stainless steel, 0.024" aluminum or 0.020" copper.
- To reduce risk of fire when using overhead cabinetry, install range hood that projects horizontally a recommended minimum of 5" beyond bottom of cabinets.
- Follow all dimension requirements provided to prevent property damage, potential fire hazard, and incorrect countertop and cabinet cuts.

Note: For planning purposes only. Refer to Product Installation Guide on the web at frigidaire.ca for detailed instructions.

Free Manuals Download Website

<http://myh66.com>

<http://usermanuals.us>

<http://www.somanuals.com>

<http://www.4manuals.cc>

<http://www.manual-lib.com>

<http://www.404manual.com>

<http://www.luxmanual.com>

<http://aubethermostatmanual.com>

Golf course search by state

<http://golfingnear.com>

Email search by domain

<http://emailbydomain.com>

Auto manuals search

<http://auto.somanuals.com>

TV manuals search

<http://tv.somanuals.com>