

Frigidaire

Factory Parts Catalog

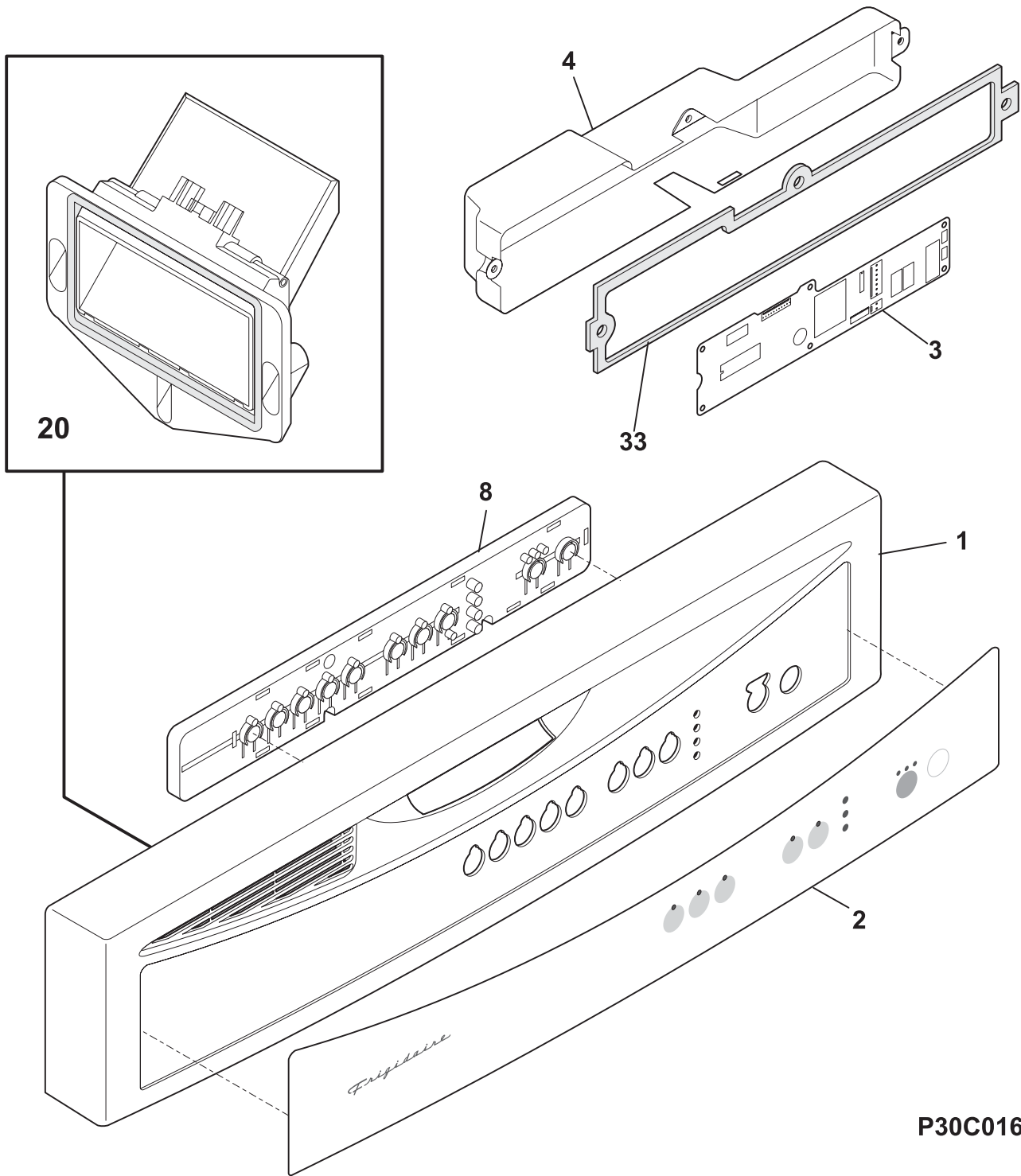
Product No.	FDB520RHB2	FDB520RHS2
Series	Built-in 24"	Built-in 24"
Color	black	white
Owner's Guide English	154595201	154595201
Owner's Guide Spanish	154595203	154595203
Owner's Guide French	154595202	154595202
Service Data Sheet	154737301	154737301
Energy Guide	154758439	154758439
Installation Instructions	154427301	154427301
Market	North America	North America

24-INCH BUILT-IN DISHWASHER

Model No.
FDB520RH

Publication No.
5995554150
09/10/21
(EN/SERVICE/ECL)
821

CONTROL PANEL



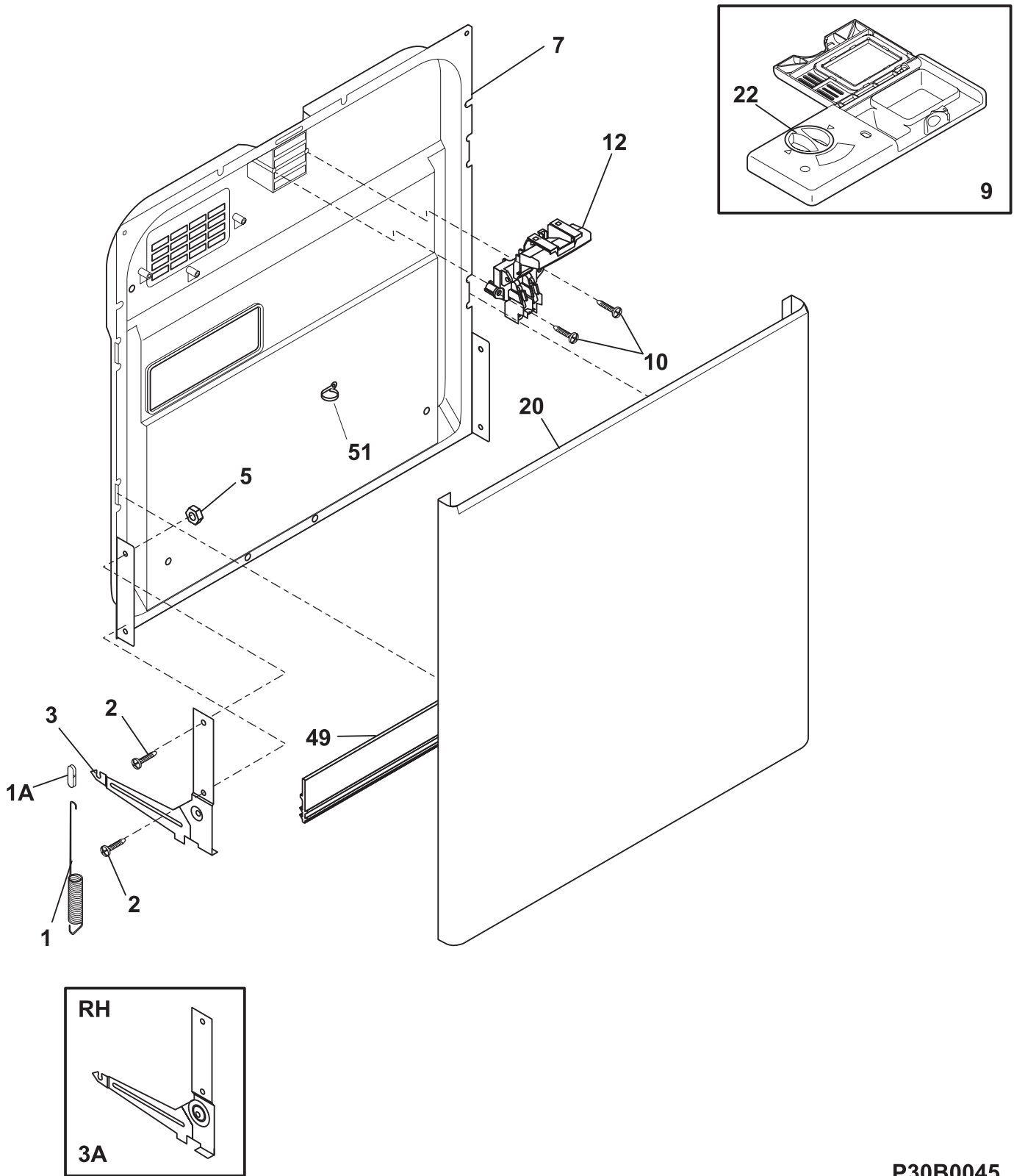
P30C0162

CONTROL PANEL

Model Index: A FDB520RH (FDB520RHS2)
 B FDB520RH (FDB520RHB2)

POS. NO	PART NO.		DESCRIPTION
1	154645201	A -	Panel, control, white
1	154645203	- B	Panel, control, black
2	154737601	A -	Overlay, control panel, white
2	154737603	- B	Overlay, control panel, black
3 #	154783201	A B	Control
4	154552101	A B	Cover, control
8 #	154737701	A B	Switch Assembly, 7 button
20	154433001	A B	Vent assy, static dry
20*	154436201	A B	Screw, dry duct, (3)
33	154553501	A B	Gasket, cover
* #	154738101	A B	Harness, wiring, main
*	154227501	A B	Thermistor
*	154758439	A B	Energy Guide
*	154294701	A B	Screw, #7 plas .375, (6), disp. assy.
*	154409401	A B	Screw, ground, #8-18 x .375

DOOR



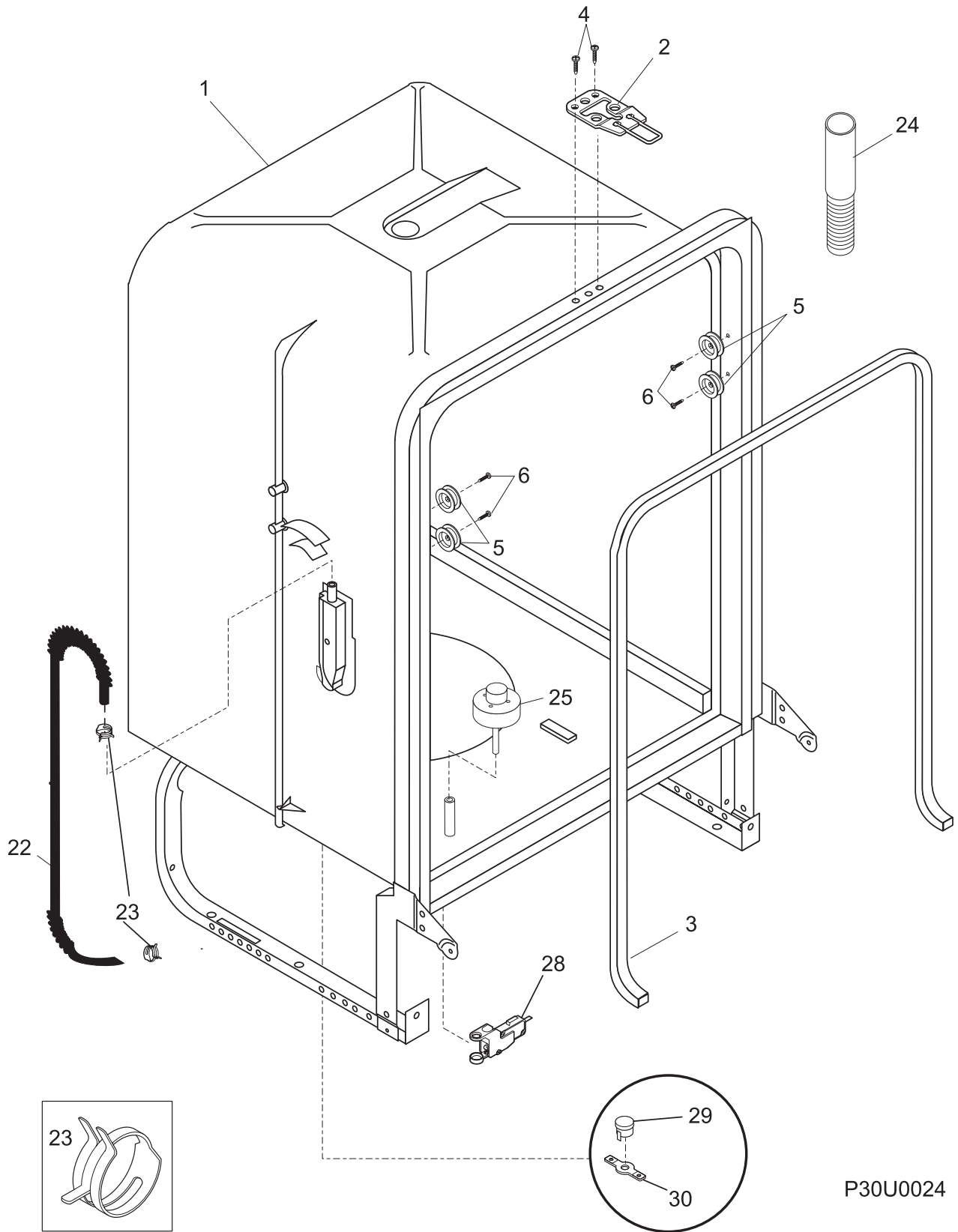
P30B0045

DOOR

Model Index: A FDB520RH (FDB520RHB2)
 B FDB520RH (FDB520RHS2)

POS. NO	PART NO.		DESCRIPTION
1	154430501	A B	Spring, door, (2)
1A	154325201	A B	Linkage, door spring, (2)
2	154093301	A B	Screw, arm assy, (4)
3	154691401	A B	Arm Assy, LH
3A	154691301	A B	Arm Assy, RH
*	154647101	A B	Hinge Pin, arm assy
*	154686401	A B	Bearing, hinge pin
5	154079601	A B	Nut, arm assy, and handle mtg.
7	154494601	A B	Liner, door assy.
9	154574401	A B	Dispenser, det/rinse aid, w/o reed
9*	154294701	A B	Screw, #7 plas .375, (6), disp. assy.
9*	154719301	A B	Shield, dispenser assy
10	154103702	A B	Screw, latch mtg, (2)
12 #	154556703	A -	Latch assy, black
12 #	154556701	- B	Latch assy, white
20	154538303	A -	Door, black
20	154538301	- B	Door, white
20*	154754701	A B	Screw, truss hd, 8-18 type AB, (2)
22	154388801	A B	Cap, Rinse aid
49	154576501	A B	Gasket, door, bottom
51	154320301	A B	Clamp, drip loop, wire
*	154409401	A B	Screw, ground, #8-18 x .375

TUB



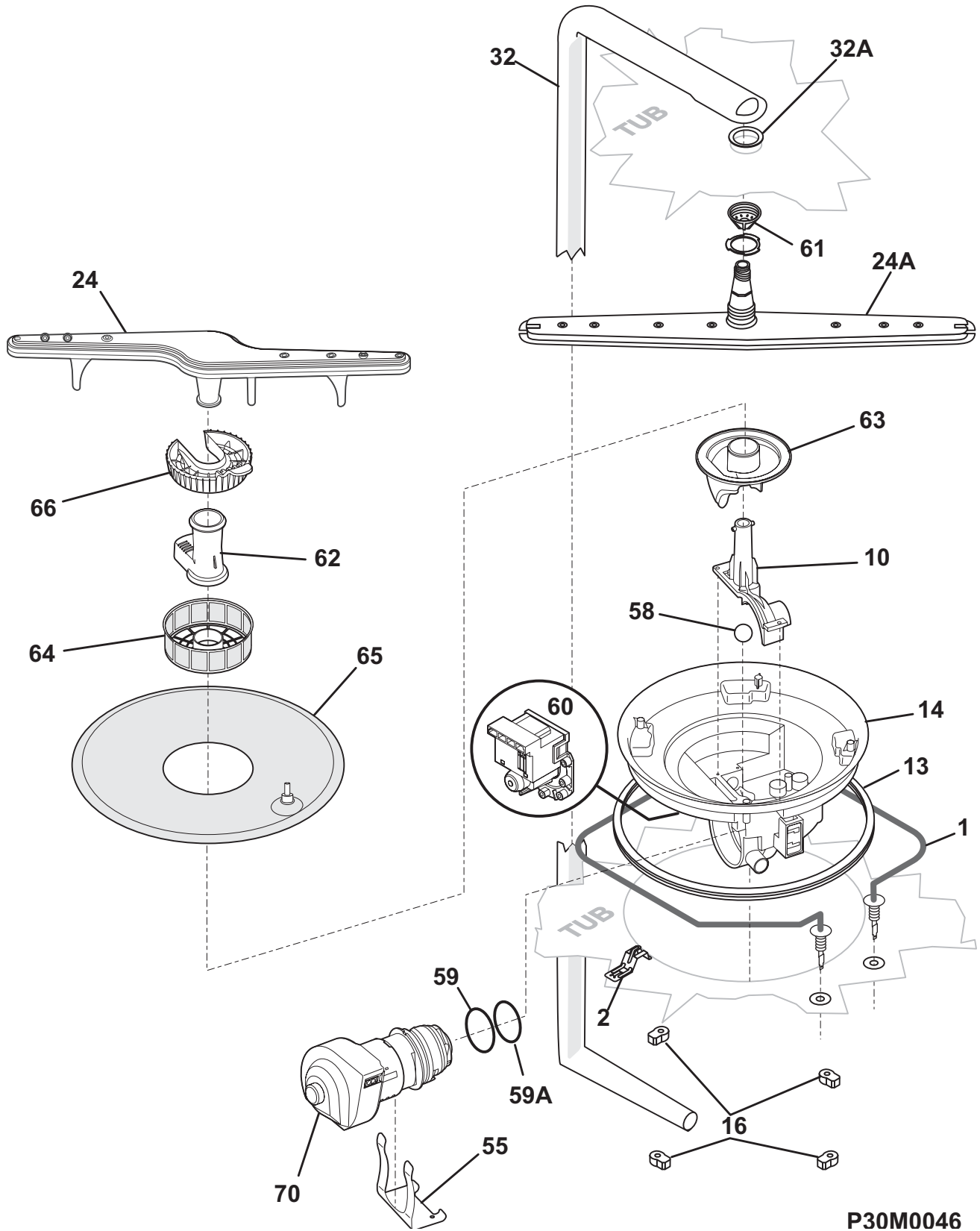
P30U0024

TUB

Model Index: A FDB520RH (FDB520RHB2)
 B FDB520RH (FDB520RHS2)

POS. NO	PART NO.		DESCRIPTION
1 #	154729301	A B	Tub assy, w/frame parts, white, PW
*	154685101	A B	Gasket, tub, corner, (2)
2	154662601	A B	Strike, door
3 #	154561001	A B	Gasket, tub
4	154200602	A B	Screw, 10-16 x 3/8, hex
5	154333902	A B	Roller, tub
6	5303943103	A B	Screw, w/washer, (8)
22	154577401	A B	Tubing, water inlet
23	5303318539	A B	Clamp, tubing, (2)
24 #	154753201	A B	Hose, drain
*	154380601	A B	Clamp, hose, 1.5" open, worm gear, (5)
25 #	154767801	A B	Float
28	154408701	A B	Switch Assy, float
29 #	154290204	A B	Thermostat, re-settable
30	154241101	A B	Retainer, thermostat
30*	154297701	A B	Screw, retainer-thermo
*	5300807270	A B	Screw, (2), countertop mtg.
*	154041001	A B	Screw, plask #1, 10-10 x 9/16
*	154200601	A B	Screw, #10-16 x 3/8

MOTOR & PUMP



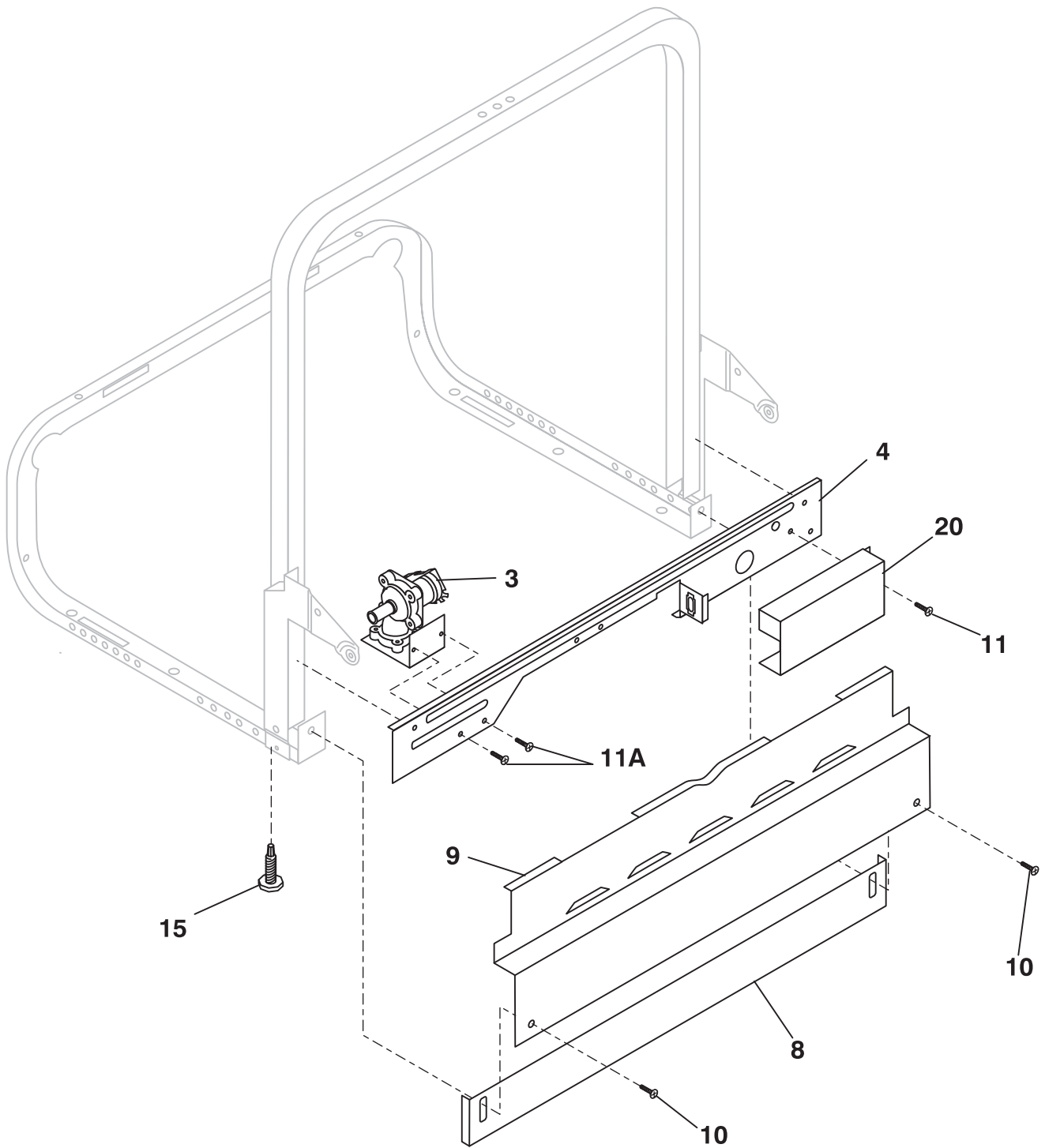
P30M0046

MOTOR & PUMP

Model Index: A FDB520RH (FDB520RHB2)
B FDB520RH (FDB520RHS2)

POS. NO	PART NO.		DESCRIPTION
1 #	154665201	A B	Element, heater
1*	154106202	A B	Nut, heater, (2)
1*	154289801	A B	Shield, heater terminal
2	154479601	A B	Bracket, heater, (2)
10	154724001	A B	Cover, volute
13	154246801	A B	Gasket, sump
14	154728201	A B	Sump Assembly
16	154246502	A B	Retainer, sump
16*	154754901	A B	Screw, sump mtg, 8-16, (4)
24	154568001	A B	Spray arm, white, lower, w/heat shield
24A	154313601	A B	Spray arm, center
24A*	154252001	A B	Nut, spray arm, center
32	154406601	A B	Tube, delivery
32*	154106801	A B	Clamp, hose, 1.29" open, worm gear, (2)
32A	154406401	A B	Gasket, delivery tube
55	154595901	A B	Bracket, motor
55*	5303316032	A B	Screw, truss ss, 8 .625, (7)
58	154246402	A B	Check ball
59	154246901	A B	O-ring, rear
59A	154247001	A B	O-ring, front
60 #	154736201	A B	Pump Assembly, drain, w/seal-impeller
60*	154617301	A B	Flapper, valve, drain pump
60*	154741501	A B	Screw, drain motor mtg, (3)
61	154606801	A B	Nozzle, 3rd level, spray
62	154294101	A B	Support, spray arm, lower
63	154776101	A B	Base, soil director
64	154252301	A B	Filter, soil director, white
65	154252401	A B	Filter, polypro
66	154252701	A B	Trap, glass
70 #	154594201	A B	Motor & Pump Assy
*	154200601	A B	Screw, #10-16 x 3/8
*	154297701	A B	Screw, retainer-thermo

FRAME



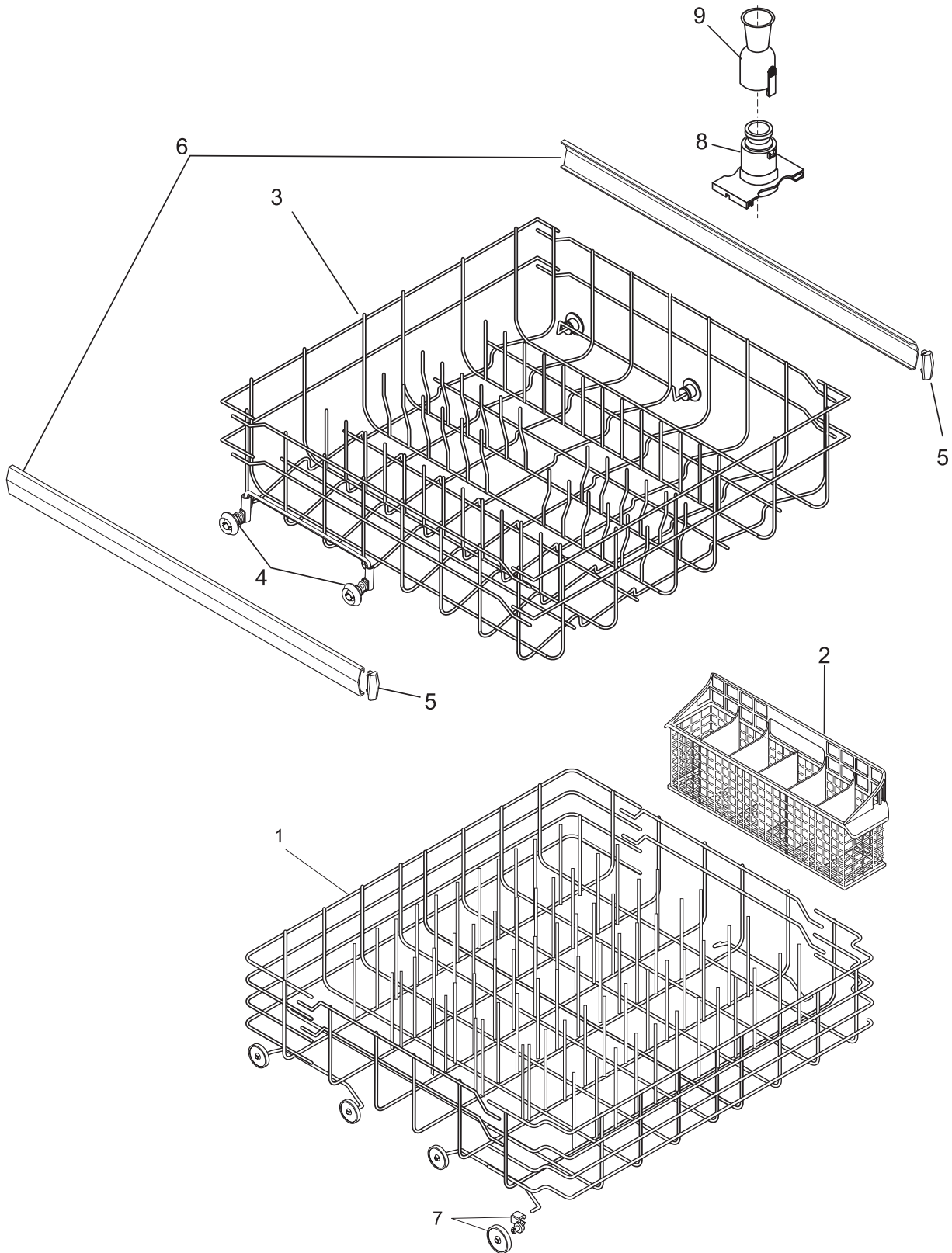
P30F0022

FRAME

Model Index: A FDB520RH (FDB520RHB2)
B FDB520RH (FDB520RHS2)

POS. NO	PART NO.		DESCRIPTION
3 #	154637401	A B	Valve, water
4	154669301	A B	Brace, front frame
8	154589403	A -	Toeplate, adjustable, black
8	154589401	- B	Toeplate, adjustable, white
9	154589503	A -	Kickplate Assy, black
9	154589501	- B	Kickplate Assy, white
10	154754801	A -	Screw, toeplate mtg, 8-18 AB hex hd, black, (2)
10	154371301	- B	Screw, Phillips head, white
11	154200701	A B	Screw, #10-32 x 3/8
11A	154200601	A B	Screw, #10-16 x 3/8
15	154571101	A B	Leg, leveling, (4)
20	154758501	A B	Cover, junction box, w/label
*	154041001	A B	Screw, plask #1, 10-10 x 9/16
*	154200602	A B	Screw, 10-16 x 3/8, hex
*	154409401	A B	Screw, ground, #8-18 x .375

RACKS



P30R0111

RACKS

Model Index: A FDB520RH (FDB520RHB2)
 B FDB520RH (FDB520RHS2)

POS. NO	PART NO.		DESCRIPTION
1	154336020	A B	Rack assy, lower, w/rollers
2	5300808994	A B	Basket, silverware
3	154331502	A B	Rack assy, upper
4	154522901	A B	Wheel & bushing assy, upper rack, (8)
5	5300809927	A B	Cap, slide, (4)
6	154597801	A B	Slide, rack, upper, (2)
7	154174502	A B	Wheel & bracket assy, lower rack
8	154728001	A B	Base, funnel
9	154251801	A B	Funnel

Free Manuals Download Website

<http://myh66.com>

<http://usermanuals.us>

<http://www.somanuals.com>

<http://www.4manuals.cc>

<http://www.manual-lib.com>

<http://www.404manual.com>

<http://www.luxmanual.com>

<http://aubethermostatmanual.com>

Golf course search by state

<http://golfingnear.com>

Email search by domain

<http://emailbydomain.com>

Auto manuals search

<http://auto.somanuals.com>

TV manuals search

<http://tv.somanuals.com>