

# FRIGIDAIRE

GALLERY



## Double Wall Ovens

FGET3045K F/W/B

30" Electric



### Product Dimensions

Height	50-7/16"
Width	30"
Depth	24-1/2"

### More Easy-To-Use Features

#### One-Touch Keep Warm Setting

Just one touch of a button keeps food warm until everything — and everyone — is ready.

#### Real Stainless Steel<sup>2</sup>

Real stainless steel with a protective coating that reduces fingerprints and smudges so it's easy to clean.

#### Effortless™ Convection

Takes the guesswork out of convection cooking — our oven does the converting for you.

#### Even Baking Technology

Our latest technology ensures even baking every time.

#### Auto Oven Shut-Off

As an extra safety measure, the oven will automatically shut off after six hours.

#### Power Broil

Added power means you can broil food more evenly.

#### One-Touch Self Clean

Start the self-cleaning cycle with just the touch of a button.

#### Quick Clean

For a quick, light oven cleaning.

#### Delay Start

Set your oven to begin cooking on your schedule. It can be programmed from one to 24 hours.

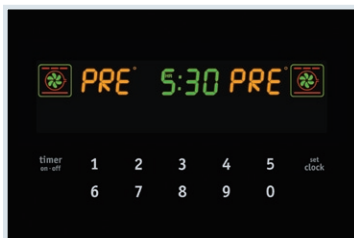
Sabbath Mode (Star-K® Certified)

Available in:



<sup>1</sup>Based on single rack cooking performance, not set temperature, using Quick Preheat.  
<sup>2</sup>Select models only.

### Signature Features



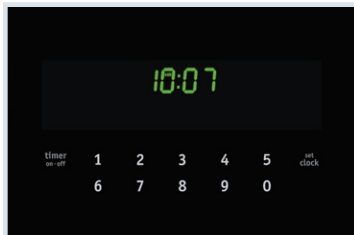
#### Quick Preheat

Preheat in less than six minutes.<sup>1</sup>



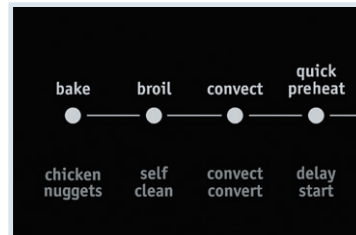
#### True Convection

Multi-rack baking is faster and more even with True Convection.



#### Express-Select® Controls

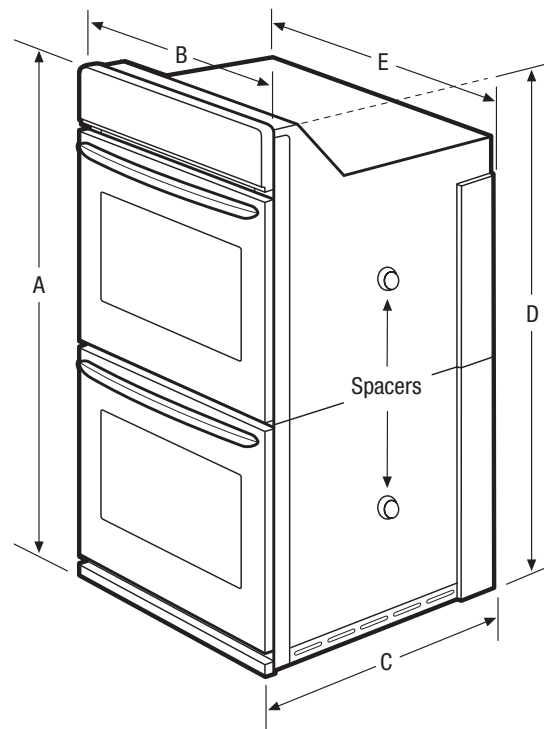
Easily set cooking temperature or choose one-touch cooking options.



#### Chicken Nugget Button

Easily bake perfect chicken nuggets with the touch of a button.

Features	
Oven Control/Timing System	Express-Select*
Windows	Extra-Large
Exterior Door Finish	Real Stainless Steel (F), Color-Coordinated (W/B)
Handle Design	Stainless Steel (F), Color-Coordinated (W/B)
Oven Cleaning System	Self Clean
Oven Controls	
Bake/Broil	Yes/Variable (400 - 500 °F)
Convection Conversion	Effortless™ (Upper)
Convection Bake/Broil/Roast	Yes (Upper)/No/No
Oven Preheat	Quick (Upper)
My Favorite	
Chicken Nugget Button	Yes (Upper)
Pizza Button	
Keep Warm	Yes
Add-a-Minute	
Delay Start	Yes
Self-Clean/Clean Option	Yes/Quick
Delay Clean	2, 3, 4 Hours
Kitchen Timer/Timed Cook Option	Yes
Control Lock	Yes
Auto Oven Shut-Off	Yes
Oven Lock-Out	Yes
Upper Oven Features	
Capacity (Cu. Ft.)	4.2
Convection System	True Convection
Oven Light	1
Hidden Bake Element	Yes
Rack Configuration	2 Heavy Duty, 1 Offset Rack
Baking System	Even Baking Technology
Broiling System	Power Broil
Bake/Broil Element (Watts)	3,400/3,400
Lower Oven Features	
Capacity (Cu. Ft.)	4.2
Convection System	
Oven Light	1
Hidden Bake Element	Yes
Rack Configuration	2 Heavy Duty, 1 Offset Rack
Baking System	Even Baking Technology
Broiling System	Power Broil
Bake/Broil Element (Watts)	3,400/3,400
Optional Accessories	
3"-High Bottom Trim - Stainless Steel (F)/White (W)/Black (B)	(F) PN # 318258707 (W) PN # 318258703 (B) PN # 318258704
Certifications	
A.D.A. Compliant	
Sabbath Mode (Star-K® Certified)	Yes
Specifications	
Oven Interior (H x W x D)	16-1/2" x 24-1/8" x 18-1/32"
Power Supply Connection Location	Left Bottom Rear
Voltage Rating	240V/208V/60Hz
Connected Load (kW Rating) @ 240/208 Volts	7.5/5.6
Amps @ 240/208 Volts	31.3/26.9
Minimum Circuit Required (Amps)	40
Shipping Weight (Approx.)	300 Lbs.



NOTE: For planning purposes only. Always consult local and national electric codes. Refer to Product Installation Guide for detailed installation instructions on the web at [frigidaire.com](http://frigidaire.com).



Product Dimensions	
A - Height	50-7/16"
B - Width	30"
C - Depth	24-1/2"
D - Height (Wrapper)	48-5/8"
E - Width (Wrapper)	28-1/4"
Depth with Door Open 90°	44-1/2"

Cutout Dimensions	
Height (Min.)/(Max.)	48-7/8" / 49-7/8"
Width (Min.)/(Max.)	28-1/2" / 29"
Depth (Min.)	23-1/2"

Accessories information available on the web at [frigidaire.com](http://frigidaire.com)

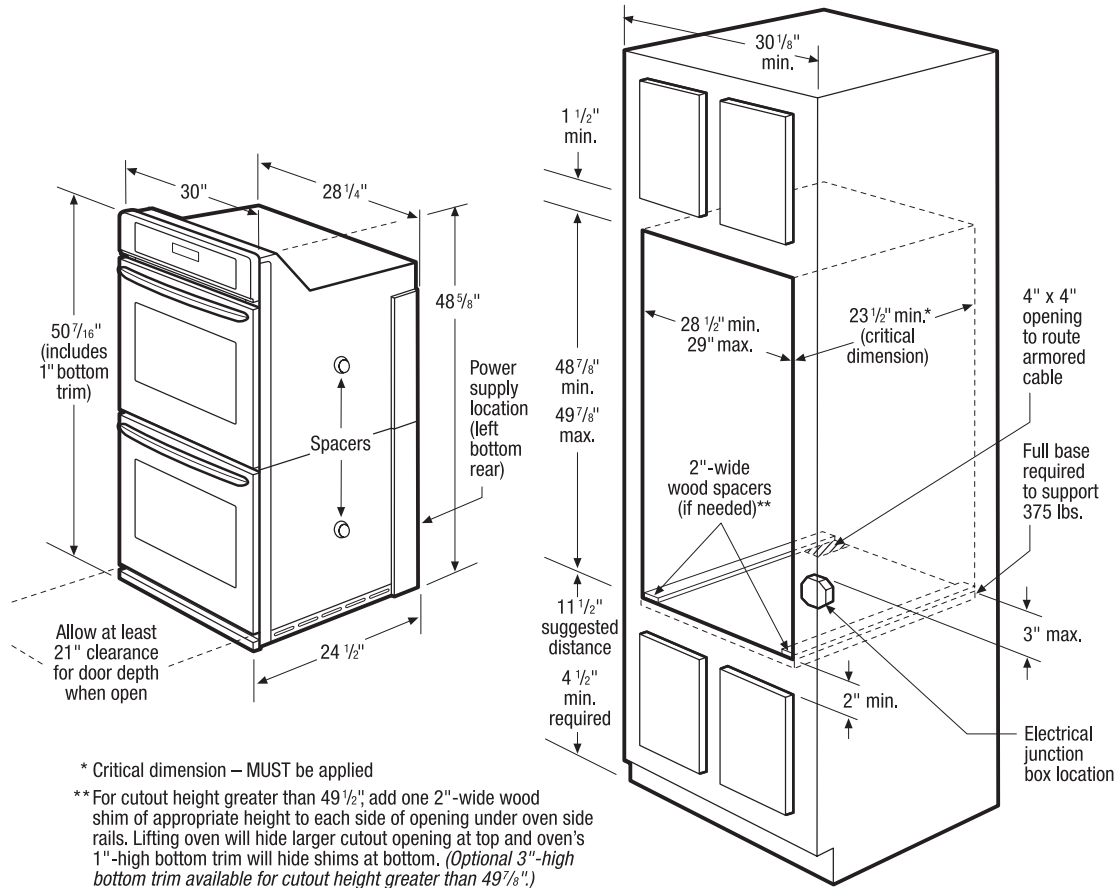
## FRIGIDAIRE

USA • 10200 David Taylor Drive • Charlotte, NC 28262 • 1-800-FRIGIDAIRE • [frigidaire.com](http://frigidaire.com)  
 CANADA • 5855 Terry Fox Way • Mississauga, ON L5V 3E4 • 1-800-265-8352 • [frigidaire.ca](http://frigidaire.ca)

FGET3045K 02/11

Download from [www.SoftBooks.com](http://www.SoftBooks.com). All Manuals Search And Download.

Specifications subject to change.  
 Printed in the U.S.A.



### Double Wall Oven Specifications

- Product Shipping Weight (approx.) - 300 Lbs.
- Single phase 3- or 4-wire cable, 120/240 or 120/208 Volt, 60 Hertz AC only electrical supply with ground required on separate circuit fused on both sides of line.
- Connected Load (kW Rating) @ 240/208 Volts = 7.5/5.6kW
- Amps @ 240/208 Volts = 31.3/26.9 Amps
- Recommended Circuit Breaker - 40 Amps
- Always consult local and national electric codes.
- Minimum 21" clearance for oven door depth when open.
- Suggested distance from floor is 11-1/2". Minimum required distance is 4-1/2".
- Minimum 23-1/2" deep cutout dimension is critical for proper installation, to ensure that oven's faceplate will fit flush against cabinet front.
- To adapt oven to fit cutout height greater than 49-1/2", add one 2"-wide wood shim of appropriate height to each side of opening under oven side rails. Lifting oven will hide larger cutout opening at top and oven's 1"-high bottom trim will hide shims at bottom. (Standard 1"-High Bottom Trim included.)

- To adapt oven to fit cutout height greater than 49-7/8", optional 3"-High Bottom Trim available.
- Full oven base of solid plywood or similar material required, capable of supporting 375 Lbs.
- Base must be level and cabinet front must be square.
- Double Wall Ovens are NOT approved to be used in stackable or side-by-side installation.

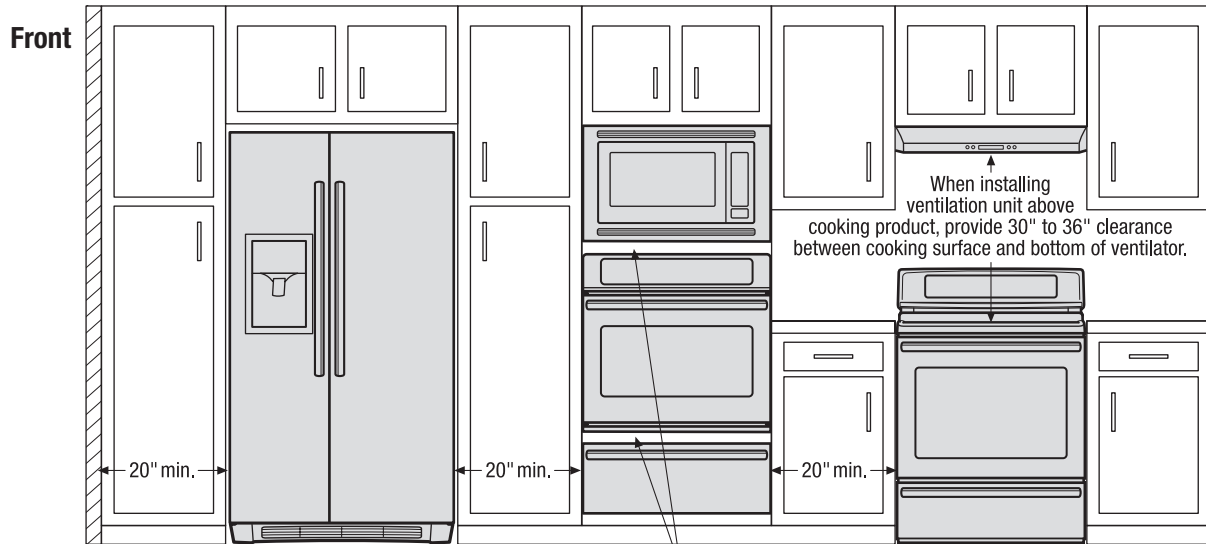
**Note:** For planning purposes only. Refer to Product Installation Guide on the web at [frigidaire.com](http://frigidaire.com) for detailed instructions.

### Optional Accessories

- 3"-High Stainless Steel Bottom Trim - (PN# 318259707).
- 3"-High White Bottom Trim - (PN# 318259703).
- 3"-High Black Bottom Trim - (PN# 318259704).

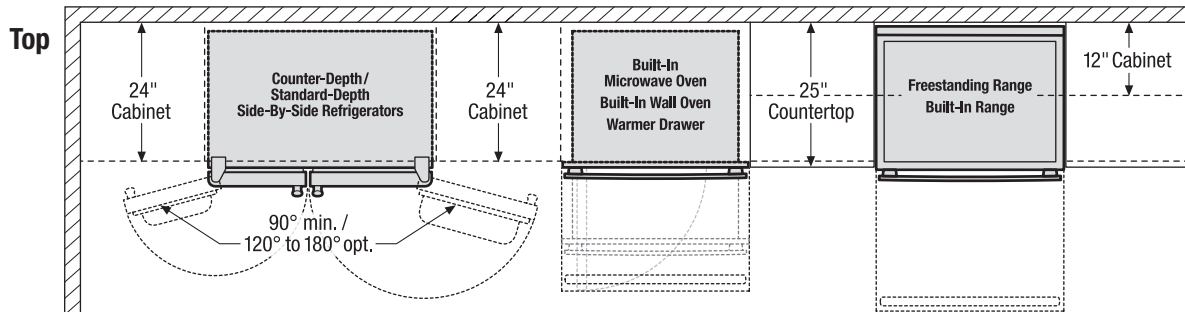


Use these dimensions and clearance instructions for planning purposes only. For detailed installation instructions, refer to installation guide, packed with product, or on the web at frigidaire.com.



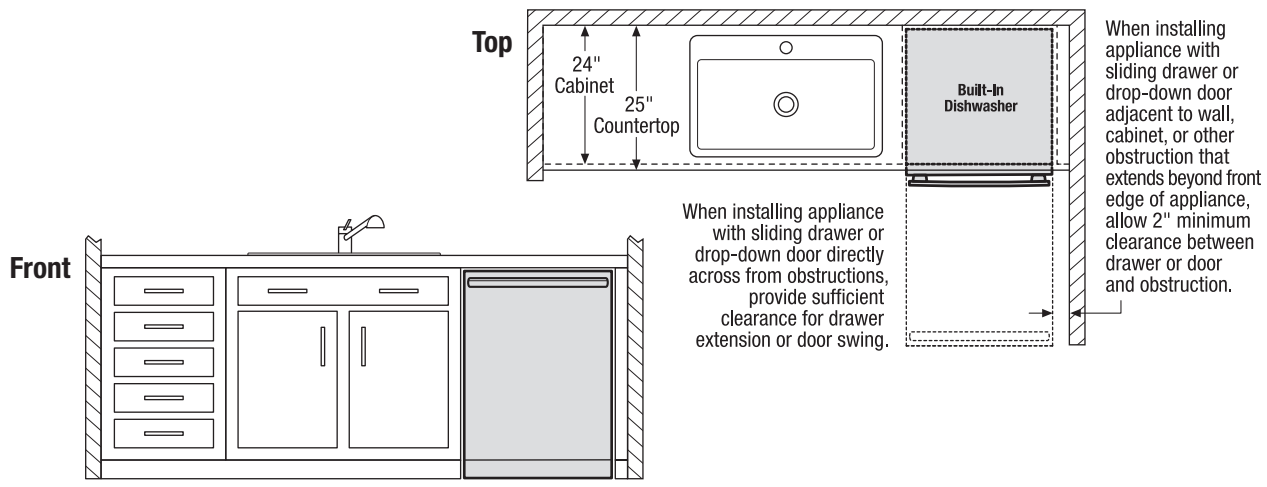
When installing appliances adjacent to each other, 20" minimum distance between each appliance required.

When installing built-in cooking appliances in combination, 2" minimum visible gap between appliance faceplates required.



When installing side-by-side refrigerator adjacent to wall, cabinet or another appliance that extends beyond front edge of unit, 20" minimum clearance recommended to allow for optimum 120° to 180° door swing, providing complete drawer/crisper access and removal.

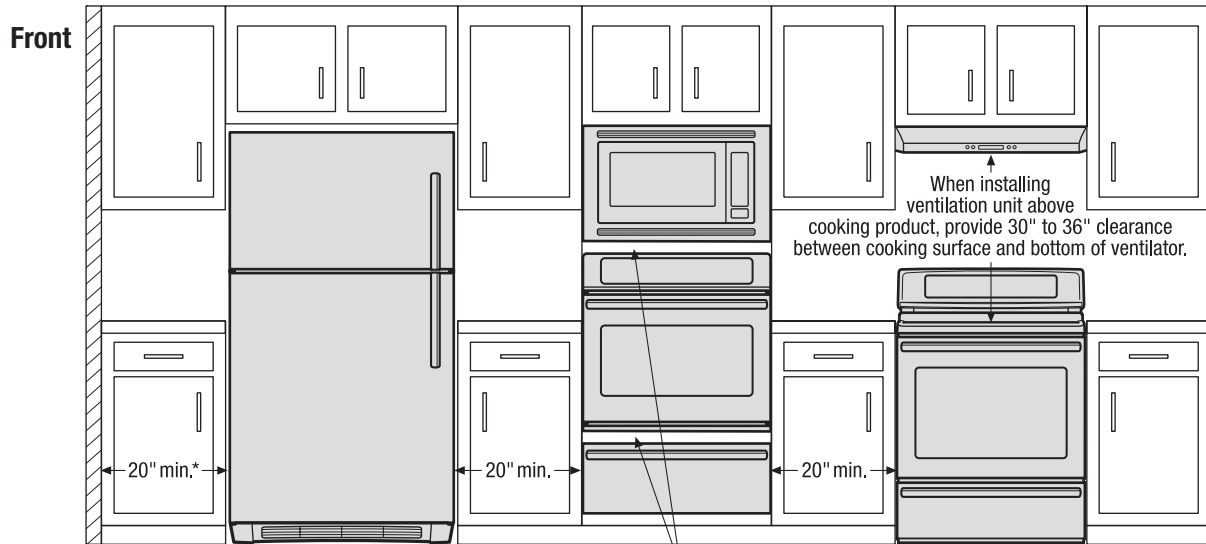
When installing appliance with sliding drawer, swinging or drop-down door directly across from obstructions, provide sufficient clearance for drawer extension or door swings.



When installing appliance with sliding drawer or drop-down door directly across from obstructions, provide sufficient clearance for drawer extension or door swing.

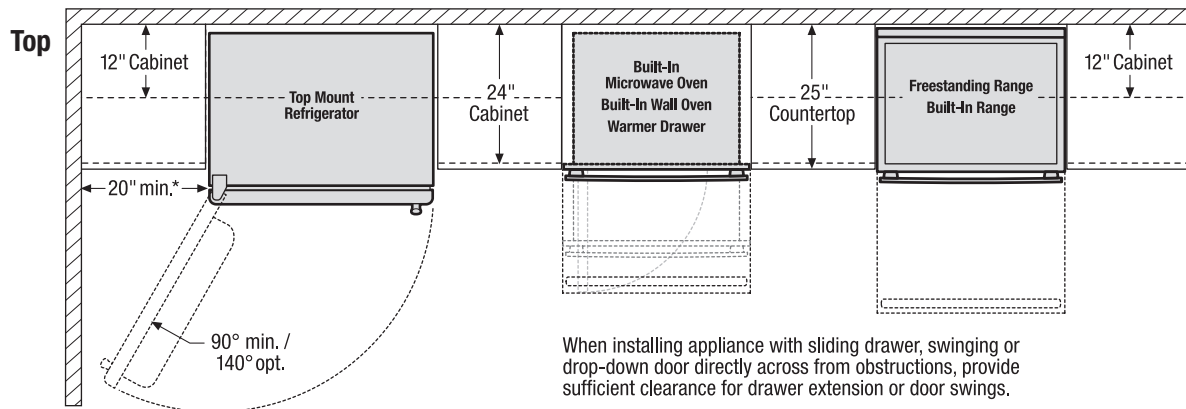
When installing appliance with sliding drawer or drop-down door adjacent to wall, cabinet, or other obstruction that extends beyond front edge of appliance, allow 2" minimum clearance between drawer or door and obstruction.

Use these dimensions and clearance instructions for planning purposes only. For detailed installation instructions, refer to installation guide, packed with product, or on the web at frigidaire.com.



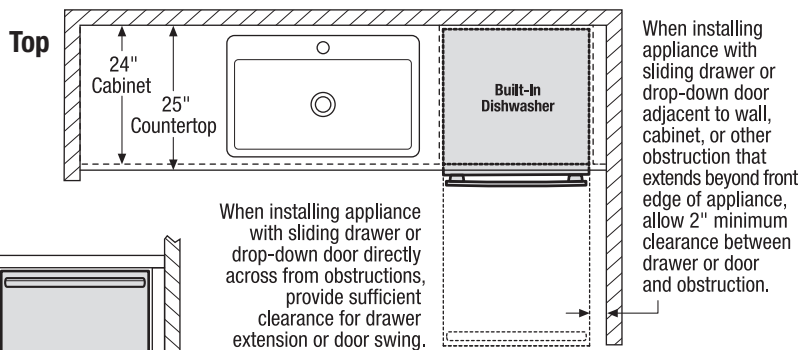
When installing appliances adjacent to each other, 20" minimum distance between each appliance required.

When installing built-in cooking appliances in combination, 2" minimum visible gap between appliance faceplates required.

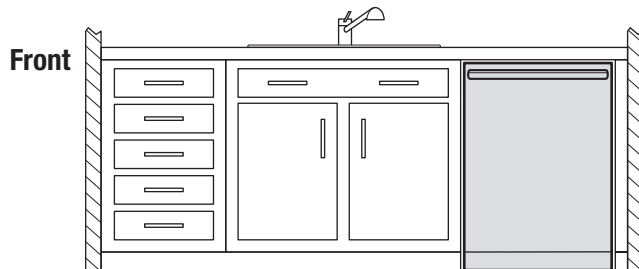


When installing appliance with sliding drawer, swinging or drop-down door directly across from obstructions, provide sufficient clearance for drawer extension or door swings.

\*When installing refrigerator adjacent to wall, cabinet or other appliance that extends beyond front edge of unit, 20" minimum clearance recommended to allow for optimum 140° door swing, providing complete crisper access and removal. (Absolute 3" minimum clearance will ONLY allow for 90° door swing which will provide limited crisper access with restricted removal.)



When installing appliance with sliding drawer or drop-down door directly across from obstructions, provide sufficient clearance for drawer extension or door swing.



## Free Manuals Download Website

<http://myh66.com>

<http://usermanuals.us>

<http://www.somanuals.com>

<http://www.4manuals.cc>

<http://www.manual-lib.com>

<http://www.404manual.com>

<http://www.luxmanual.com>

<http://aubethermostatmanual.com>

Golf course search by state

<http://golfingnear.com>

Email search by domain

<http://emailbydomain.com>

Auto manuals search

<http://auto.somanuals.com>

TV manuals search

<http://tv.somanuals.com>