



Fujitsu Stylistic®  
ST4000 Series

TABLET DOCK  
USER'S GUIDE

Fujitsu and the Fujitsu logo are registered trademarks of Fujitsu Ltd., and Stylistic is a registered trademark of Fujitsu Ltd.

Microsoft and Windows are registered trademarks of the Microsoft Corporation.

All other trademarks mentioned herein are the property of their respective owners.

Product description data reflects Fujitsu design objectives and is provided for comparative purposes; actual results may vary based on a variety of factors. Specifications are subject to change without notice.

© 2003 Fujitsu. All rights reserved.

Operation is subject to the following two conditions:

(1) This device may not cause harmful interference, and, (2) This device must accept any interference received, including interference that may cause undesired operation.

## Fujitsu Stylistic ST4000 Series Tablet Dock

This guide contains information on using your Tablet Dock. You should read this section before using the dock, even if you are familiar with other computer docking devices.

Your Tablet Dock may be configured in one of two ways:

Configuration
Tablet Dock with CD-ROM Drive
Tablet Dock with Combo DVD/ CD-RW Drive

Your Fujitsu Stylistic ST4000 Series Tablet Dock has the following interfaces:

Port/Jack	Purpose
LAN (RJ45) Jack	Allows you to connect a Local Area Network (LAN) device or broadband device such as a cable modem.
VGA Port	Allows you to connect an external monitor.
Line Out Jack	Allows you to connect headphones or external speakers.
DC In	Allows you to connect power to the system.
USB Ports (Quantity 3)	Allow you to connect up to three Universal Serial Bus (USB) Revision 1.1 devices or hubs.
IEEE 1394 Jack	Allows you to connect a peripheral such as a digital video camera.

### WARNING

- Do not expose the Tablet Dock to rain, moisture, excessive dirt or temperatures outside the Environmental Specifications as it may cause fire and shock hazards.
- High voltage is present inside the Tablet Dock. Do not remove the cover under any circumstances. There is a serious shock hazard.
- Switch the unit OFF, unplug the power cord and contact a qualified service technician or Fujitsu Services and Support if:
  - Liquid has been spilled on the Tablet Dock.
  - The Tablet Dock has been dropped.
  - Small objects went inside your Tablet Dock which may cause a short circuit and/or create a hazard of shock.
  - Fuses continue to blow out.
  - A distinct change in the operation and performance of the Tablet Dock occurs.
  - The power cord or plug is damaged or frayed.
- The unit should be operated only from the type of power indicated on the marked label.
- The socket outlet must be installed near the equipment to be accessible using the system's AC power cord. Never connect the Tablet Dock to AC power by using an extension cord.
- For additional environmental specifications, see "Tablet Dock Specifications" on page 10.

### POINT

- Always use your Tablet Dock on a solid, flat, level, clean, and dry surface. Nearby there should be electric power, as well as a telephone jack for a modem or a LAN port.
- Save packing material in order to safely ship or store the Tablet Dock in the future.

## IDENTIFYING THE COMPONENTS

Before using your Tablet Dock, you should familiarize yourself with its various features.

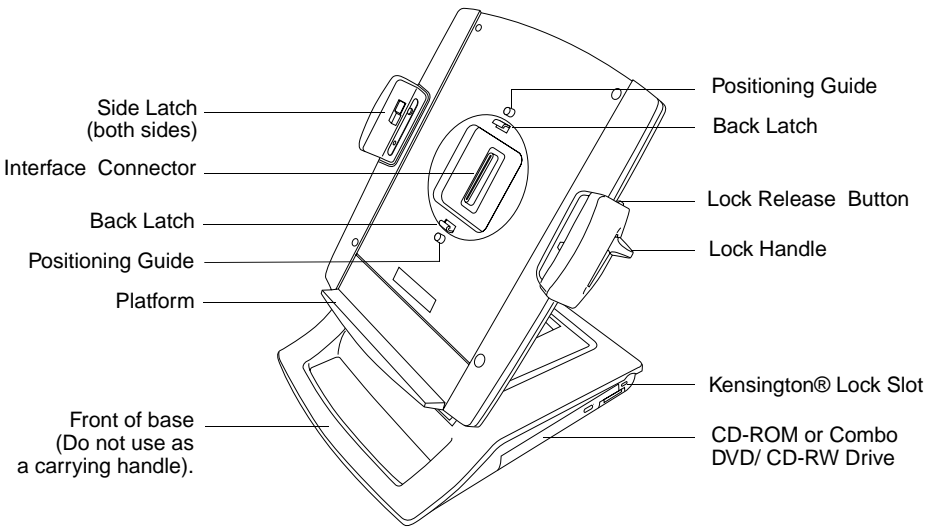


Figure 1. Front View

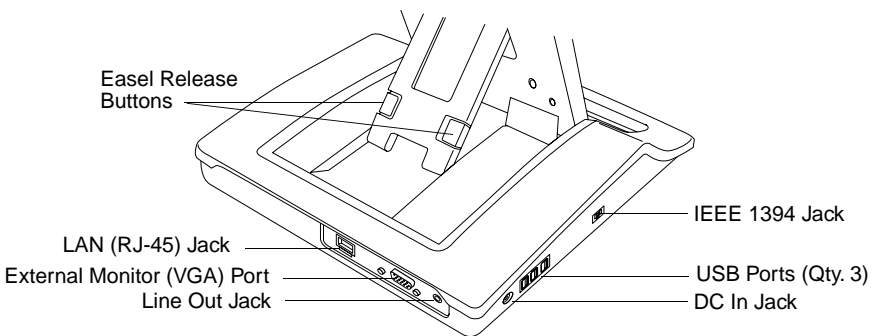


Figure 2. Back View

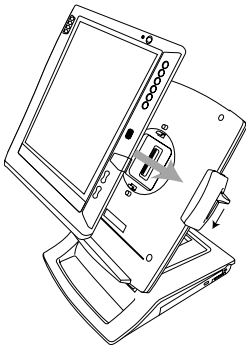
## DOCKING YOUR SYSTEM

Microsoft® Windows® uses “plug- and-play” technology to automatically load the files necessary to operate your Tablet Dock and any attached devices.

### POINT

Microsoft® Windows® uses “plug-and-play” technology to automatically load the files necessary to operate your Tablet Dock and any attached devices.

1. Plug the system's AC adapter into a wall outlet, then into the Tablet Dock's DC Input jack.
2. Set the ST4000 series system on the Tablet Dock, with the system oriented in the same direction as the dock. (See Figure 3 for location). The connector in the back of the system should be aligned with the interface connector on the Tablet Dock.



**Figure 3. Docking the system**

3. Carefully push the system towards the docking port until you hear a click. The click indicates that the side latches are in place. Note that the system is not yet locked into place until the following step is performed.
4. Firmly pull the lock handle down as far as it will go. This engages the back latches and side latches, and locks the system in place.
5. Your Tablet Dock is now ready for use. You may now attach devices to it.

### POINT

The front portion of the base should not be used as a handle. It is designed to support the system when it is installed in the Tablet Dock, but not as a handle.

## UNDOCKING YOUR SYSTEM

Use these instructions when you want to remove your system from the Tablet Dock.

### POINT

The system can be removed from the Tablet Dock whether the system is operating or not.

1. Press the lock release button on the top of the right slide (above the lock handle). While holding it down, pull the lock handle upwards to unlatch the back latches from the system.
2. Pull the system upwards, away from the platform. The system is now undocked.

## CHANGING SYSTEM ORIENTATION

Microsoft® Windows® uses “plug-and-play” technology to automatically load the files necessary to operate your Tablet Dock and any attached devices.

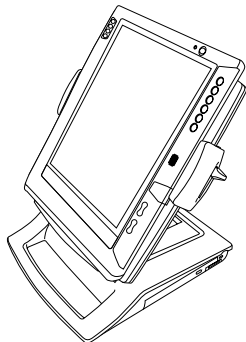


Figure 4. Portrait Orientation

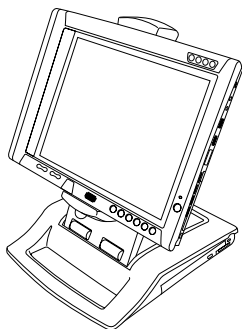


Figure 5. Landscape Orientation

To change the position of the display, simply grasp the edge of the system and turn it in the direction shown in Figures 6 and 7.

- If the display is in portrait position, turn the display to the right, as shown in Figure 6.
- If the display is in landscape position, turn the display to the left, as shown in Figure 7.

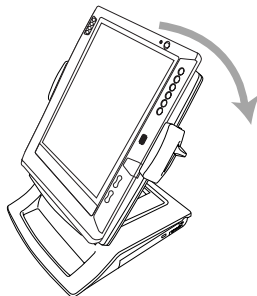


Figure 6. Changing Display from Portrait to Landscape Mode

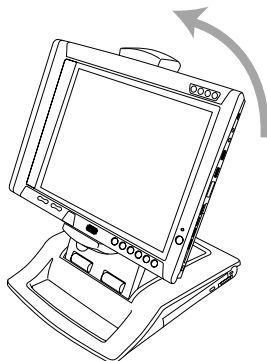


Figure 7. Changing Display from Landscape to Portrait Mode



## POINT

When you change the orientation of the system, the display does not change orientation. To change the orientation of the display, use the Orientation application button. (See your system User's Guide for more information).

## CONNECTING DEVICES

Once your system is installed in the Tablet Dock, you are ready to attach external devices to the dock.

### To Attach an External VGA Monitor

This option allows you to use an external monitor with your system. The only requirement is that the external device (monitor, projector) is a VGA device. Consult the instructions that come with the device.

1. Securely insert the external monitor plug into the display port on the back of the Tablet Dock (*Figure 2*). Always check the icon by the port before inserting. Tightenscrews if available.
2. You may switch between the internal monitor and external monitor using the Display Configuration utility located in the system tray at the bottom right of the screen, or through the Control Panel settings.

### To Attach a USB device

Use of the USB ports allows attaching USB devices to a docked system.

1. Securely insert the connector into one of the three USB ports on the left side of the Tablet Dock (*Figure 2*). It may be necessary to wait a short time while the appropriate drivers are located and installed by the system.

### To Attach an IEEE 1394 device

The IEEE 1394 jack allows attaching peripherals such as digital cameras to a docked system.

1. Securely insert the connector into the IEEE 1394 jack on the left side of the Tablet Dock (*Figure 2*).

Refer to the device manufacturer's installation and usage instructions for configuration instructions.

### To Attach External Audio Equipment

The Tablet Dock provides a Line Out jack for head-phones or external speakers.



#### POINT

Connecting external speakers (including headphones) or microphone disables the system's internal speaker or internal microphone.

1. To attach an external audio device, insert the plug into the Line Out jack on the back of the Tablet Dock (*Figure 2*).

### To Attach a LAN Device

The LAN (RJ-45) jack allows you to connect the system's internal Fast Ethernet to a LAN, or broadband devices such as a cable modem, DSL, or satellite internet.

1. To attach a LAN device, insert the plug into the LAN (RJ-45) jack on the back of the Tablet Dock.

Refer to the device manufacturer's installation and usage instructions for configuration instructions.

## USING THE INTERNAL MEDIA DRIVE

The Tablet Dock is outfitted with either a CD-ROM drive or a Combo DVD/CD-RW drive, depending upon the configuration of your dock. A CD-ROM drive allows you to access software, data, or audio CDs. A DVD/CD-RW combo drive allows you to access movies, audio, software, data, or audio DVD/CDs, and to write data onto recordable CDs.

- **CD-ROM drive**

All of the software you need to run the CD-ROM drive is already installed on the ST4000 series system. The drive will work as soon as the system is docked and powered up.

- **Combo DVD/CD-RW drive**

Packaged with the Tablet Dock is a CD that contains the applications required to run the DVD and CD/RW features. The combo drive will only act as a CD-ROM drive until you install the additional software. To install the additional software, refer to the instructions on the CD.

The instructions for installing and removing disks is the same for both drives. For information about the software's features and capabilities, refer to the help files associated with the related applications.



### POINT

- Prolonged use of the media drive, such as watching a DVD movie, will substantially reduce your battery life if no other power source is attached. Be sure to attach an AC Adapter when using the Tablet Dock for prolonged tasks.
- All Fujitsu DVD players are set to play DVD titles with region code number 3 which is specified for the Asia Pacific market. The region number is a regional restriction code defined by the DVD Forum consortium. Different region codes are recorded on video DVD titles for publication in different areas of the world. If the regional code of the DVD player does not match the regional codes on the titles, then playback is impossible.
- You can change the region code on the DVD player using the Properties menu of the DVD software. Note, however, that you can only change the region code up to four times. After the fourth change, the last region code entered becomes permanent, and cannot be changed.



**CAUTION**

Do not operate your media drive unless your system is sitting on a relatively flat surface. Using the drive when the system is not level may damage the drive or prevent proper operation.

**LOADING MEDIA**

(Refer to Figure 8 for the following steps)

To load a disc into your media player drive, follow these steps:

1. Push and release the eject button on the front of the drive to open the holder tray. The tray will come out of the system a short distance.
2. Gently pull the tray out until a media disc can easily be placed in the tray.

**CAUTION**

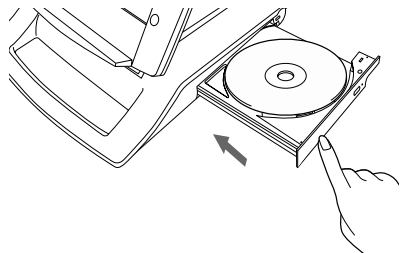
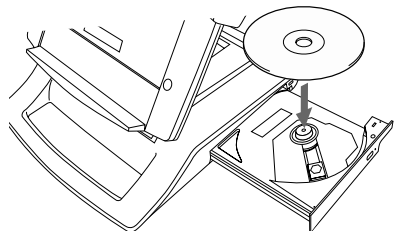
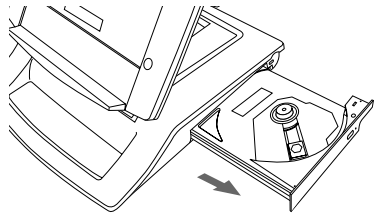
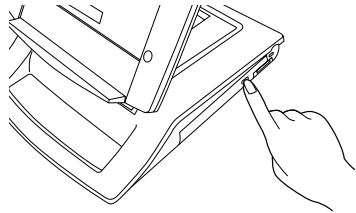
There may be a protective sheet in the tray from when it was shipped; please make sure it is removed before operating the drive.

3. Place the media into the tray, label side up, with the hole in the center of the disc. Snap the disc onto the raised circle in the center of the tray.
4. Gently push the holder tray back in until you hear a click.

**REMOVING MEDIA**

(Refer to Figure 8 for the following steps)

1. Push and release the eject button on the front of the media player drive. This will stop the drive and the holder tray will come out of the system a short distance.
2. Gently pull the tray out until the disc can easily be removed from the tray.
3. Carefully remove the media disc from the holder tray.
4. Gently push the holder tray back in until you hear a click.



**Figure 8. Loading/Ejecting Media**

## SAFETY PRECAUTIONS

- Never move the Tablet Dock with the system docked unless it is fully locked. If the system were to undock accidentally, it could drop and be damaged.
- Never power-off or remove the computer from the Tablet PC while the system is reading or writing to a floppy or hard drive. This could result in data loss.
- Always wait at least 5 seconds before restarting the Tablet PC after turning it off. Failure to do this can result in damage to the system's electrical circuitry.

## TABLET DOCK SPECIFICATIONS

Feature	Details
Ports	<ul style="list-style-type: none"> <li>• 100-pin docking connector</li> <li>• VGA, D-sub 15-pin female connector, DDC compliant</li> <li>• Line Out Jack (3.5mm) for head-phones or external speakers</li> <li>• DC input, 16VDC</li> <li>• IEEE 1394, 4-pin standard connector</li> <li>• USB (Universal Serial Bus) Ports (quantity: 3)</li> <li>• LAN connector: 100Base-TX/10Base-T; RJ-45</li> <li>• System Bay: Accommodates CD-ROM or DVD/CD-RW drive</li> </ul>
Power	<ul style="list-style-type: none"> <li>• 16VDC, with current of 3.75 A</li> </ul>
Dimensions	<ul style="list-style-type: none"> <li>• Height: 12.95" (329mm)</li> <li>• Width: 8.66" (220mm)</li> <li>• Depth: 10.35" (263mm)</li> </ul>
Weight	<ul style="list-style-type: none"> <li>• 5.95 lbs. (2.7Kg)</li> </ul>
Environmental	<ul style="list-style-type: none"> <li>• Operating Temperature: 40° -95° F (5°-35° C)</li> <li>• Storage Temperature: -5° -140° F (-20° -60° C)</li> <li>• Relative Humidity: 20-80%</li> </ul>

**Table 1. Tablet Dock Specifications**

## Free Manuals Download Website

<http://myh66.com>

<http://usermanuals.us>

<http://www.somanuals.com>

<http://www.4manuals.cc>

<http://www.manual-lib.com>

<http://www.404manual.com>

<http://www.luxmanual.com>

<http://aubethermostatmanual.com>

Golf course search by state

<http://golfingnear.com>

Email search by domain

<http://emailbydomain.com>

Auto manuals search

<http://auto.somanuals.com>

TV manuals search

<http://tv.somanuals.com>