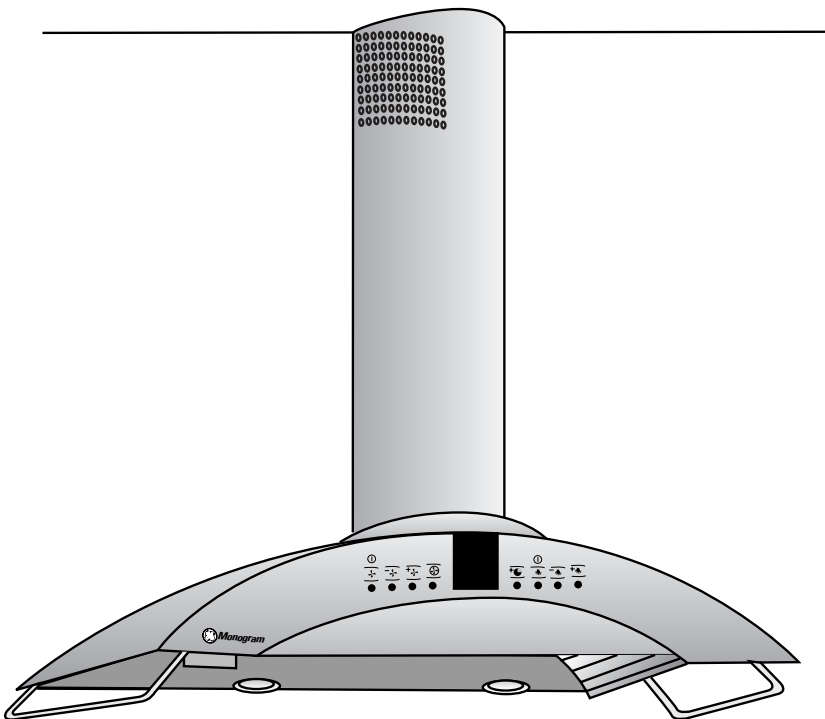


Installation Instructions

If you have questions, call 800.GE.CARES or visit our website at: www.monogram.com



ZXR758 and ZXR7510
Recirculating Accessories
For Model ZV750, Vent Hood



Installation Preparation

BEFORE YOU BEGIN

Read these instructions completely and carefully.

- **IMPORTANT** – Save these instructions for local inspector's use.
- **IMPORTANT** – Observe all governing codes and ordinances.
- **Note to Installer** – Be sure to leave these instructions with the Consumer.
- **Note to Consumer** – Keep these instructions with your Owner's Manual for future reference.
- **Skill Level** – Installation of this appliance requires basic mechanical and electrical skills.
- **Completion time** – 1 to 3 hours.
- Proper installation is the responsibility of the installer.
- Product failure due to improper installation is not covered under the Warranty.

For Monogram local service in your area, 1.800.444.1845.

For Monogram service in Canada, call 1-888.880.3030.

For Monogram Parts and Accessories, call 1.800.626.2002.

CAUTION:

Due to the weight and size of this vent hood and to reduce the risk of personal injury or damage to the product, **TWO PEOPLE ARE REQUIRED FOR PROPER INSTALLATION.**

WARNING:

To reduce the risk of fire or electrical shock, do not use this hood with any external solid-state speed control device. Any such alteration from original factory wiring could result in damage to the unit and/or create an electrical safety hazard.

WARNING:

TO REDUCE THE RISK OF FIRE, ELECTRICAL SHOCK OR INJURY TO PERSONS, OBSERVE THE FOLLOWING:

- A.** Use this unit only in the manner intended by the manufacturer. If you have any questions, contact the manufacturer.
- B.** Before servicing or cleaning unit, switch power off at the service panel and lock service panel to prevent power from being switched on accidentally. If the service panel cannot be locked, fasten a tag or prominent warning label to the panel.

For general ventilating use only. Do not use to exhaust hazardous or explosive materials or vapors.

Structural framing, installation work and electrical wiring must be done by qualified person(s). In accordance with all applicable codes and standards including fire-rated construction.

Sufficient air is needed for proper combustion and exhausting of gases through the flue (chimney) of fuel burning equipment to prevent back drafting. Follow the heating equipment manufacturer's guideline and safety standards such as those published by the National Fire Protection Association (NFPA), and the American Society for Heating, Refrigeration and Air Conditioning Engineers (ASHRAE), and the local code authorities.

Local codes vary. Installation electrical connections and grounding must comply with applicable codes. In the absence of local codes, the vent should be installed in accordance with National Electrical Code ANSI/NFPA 70-1990 or latest edition.

CONTENTS

Installation Preparation

Required Accessories	3
Product Dimensions	3
Duct Cover Accessories	4
Power Supply	4
Tools and Materials Required	4
Remove Packaging, Check Contents	5

Installation Instructions

Step 1, Determine Installation Location	6
---	---

Step 2, Install Mouning Brackets	6
Step 3, Install the Hood	7
Step 4, Size Duct Piece	7
Step 5, Install Air Deflector Assembly	7
Step 6, Connect Electrical	8
Step 7, Install Duct Covers and Utility Bars	8
Step 8, Install Filters	9
Step 9, Finalize Installation	9

Installation Preparation

REQUIRED ACCESSORIES

This book provides step by step instructions to install the Monogram ZV750 wall mounted hood for **recirculating** operation.

- One of the following accessory kits is required for non-vented wall mounted installations of model ZV750.

Choose the correct kit according to ceiling heights:

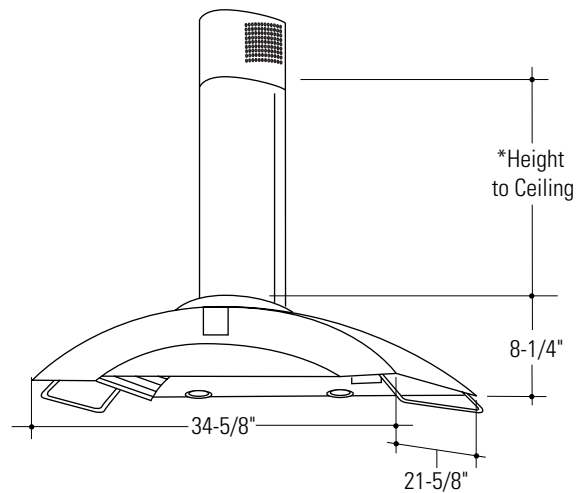
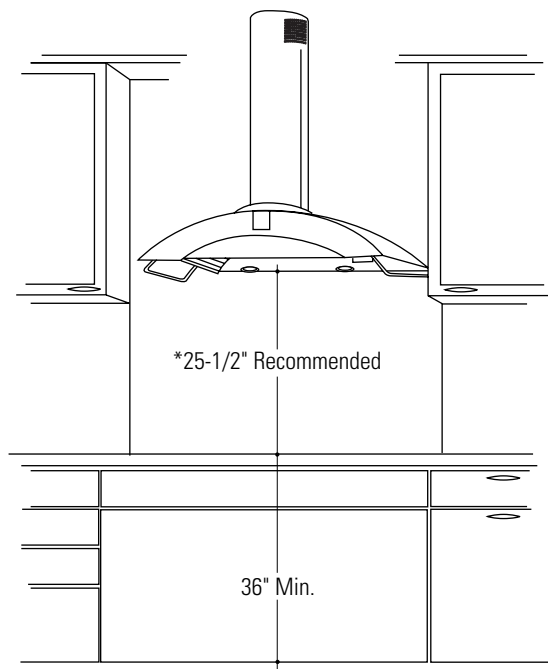
ZXR758 – For 8 to 9 ft. ceiling height.

ZXR7510 – For 9 to 10 ft. ceiling height.

- Order the required accessory at the same time as the vent hood and have on site before installation.
- Each kit includes decorative duct cover, air deflector and charcoal filters.

PRODUCT DIMENSIONS

The vent hood must be installed 24" min. and 30" max. above the cooking surface. 25-1/2" is recommended for best performance and to insure that the duct cover meets the ceiling. The cooking surface should be at least 36" above the floor. Installation will be easier if the vent hood is installed before the cooktop and countertop is installed.



*** ZXR758**
26-1/4" for 8 ft. Ceiling
38-1/4" for 9 ft. Ceiling

ZXR7510
34-1/4" to 50-1/4" for
9 ft. to 10 ft. Ceiling

* The distance between the cooking surface and the bottom of the hood must be at least 24" and up to 30". The 25-1/2" recommended installation height, above the standard 36" countertop, will insure duct cover fit to the ceiling.

Installation Preparation

DUCT COVER ACCESSORIES

A duct cover accessory is required for recirculating operation. Use this chart to determine which accessory is required for your ceiling height.

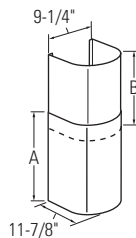
ZV750SY Installation Heights

Actual Ceiling Height	* Possible Hood Installation Height	Recirculating Accessory
7' 11"	24-1/2"	ACCESSORY ZXR758C
8' 0"	25-1/2"	
8' 1"	25-1/2" to 26-1/2"	
8' 2"	25-1/2" to 27-1/2"	
8' 3"	25-1/2" to 28-1/2"	
8' 4"	25-1/2" to 29-1/2"	
8' 5"	25-1/2" to 30"	
8' 6"	25-1/2" to 30"	
8' 7"	25-1/2" to 30"	
8' 8"	25-1/2" to 30"	
8' 9"	25-1/2" to 30"	
8' 10"	25-1/2" to 30"	
8' 11"	25-1/2" to 30"	
9' 0"	25-1/2" to 30"	ACCESSORY ZXR7510C
9' 1"	25-1/2" to 30"	
9' 2"	25-1/2" to 30"	
9' 3"	25-1/2" to 30"	
9' 4"	25-1/2" to 30"	
9' 5"	25-1/2" to 30"	
9' 6"	25-1/2" to 30"	
9' 7"	25-1/2" to 30"	
9' 8"	25-1/2" to 30"	
9' 9"	25-1/2" to 30"	
9' 10"	25-1/2" to 30"	
9' 11"	25-1/2" to 30"	
10' 0"	25-1/2" to 30"	

* Based on 36" countertop height.

ZV750SY Duct Cover Dimensions

Hood and Accessory	A	B
ZXR758C	18-7/8"	22-13/16"
ZXR7510C	18-7/8"	34-5/8"



POWER SUPPLY

IMPORTANT – (Please read carefully)

WARNING:

FOR PERSONAL SAFETY, THIS APPLIANCE MUST BE PROPERLY GROUNDED.

Remove house fuse or open circuit breaker before beginning installation.

Do not use an extension cord or adapter plug with this appliance. Follow National Electrical Code or prevailing local codes and ordinances.

Electrical supply

This vent hood must be supplied with 120V, 60Hz, and connected to an individual, properly grounded branch circuit, and protected by a 15 or 20 amp circuit breaker or time delay fuse.

- Wiring must be 2 wire with ground.
- If the electrical supply does not meet the above requirements, call a licensed electrician before proceeding.
- Route house wiring as close to the installation location as possible. Wiring should enter at least 4" above the bracket on the right side.
- Connect the wiring to the house wiring in accordance with local codes.

Grounding instructions

The grounding conductor must be connected to a ground metal, permanent wiring system, or an equipment-grounding terminal or lead on the hood.

WARNING: The improper connection of the equipment-grounding conductor can result in a risk of electric shock. Check with a qualified electrician or service representative if you are in doubt whether the appliance is properly grounded.

TOOLS AND MATERIALS REQUIRED (NOT SUPPLIED)

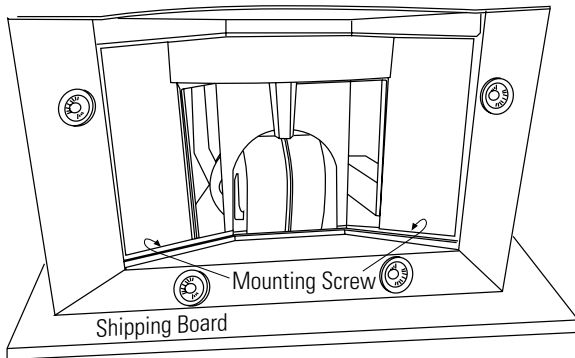
- Tape measure
- Knife
- Spirit level
- Wire cutter/stripper
- Wire nuts
- Electric drill and appropriate bits
- Phillips and flat blade screwdrivers
- Hammer
- Pliers
- Center punch
- 10 mm Hex wrench/socket
- Safety glasses
- Duct tape
- Gloves to protect against sharp edges
- 120V 60Hz. 15 or 20 Amp, 2 wire with ground. Properly grounded branch circuit.
- Strain relief for junction cover.
- 6" round duct, length to suit installation.

Installation Preparation

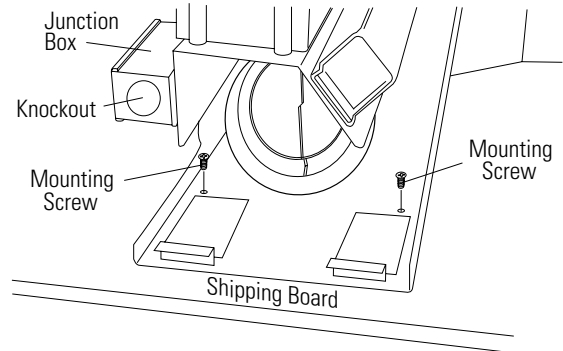
REMOVE THE PACKAGING

The vent hood is shipped secured to a shipping board with 4 screws.

- Remove the duct cover, parts box and styrofoam packaging.
- Lift the hood out of the box, using hand grips on both sides of the shipping board.
- Remove and properly discard the plastic wrapping.



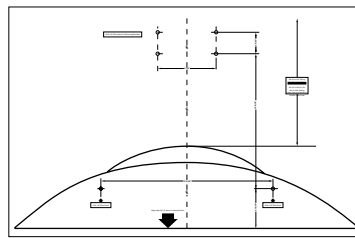
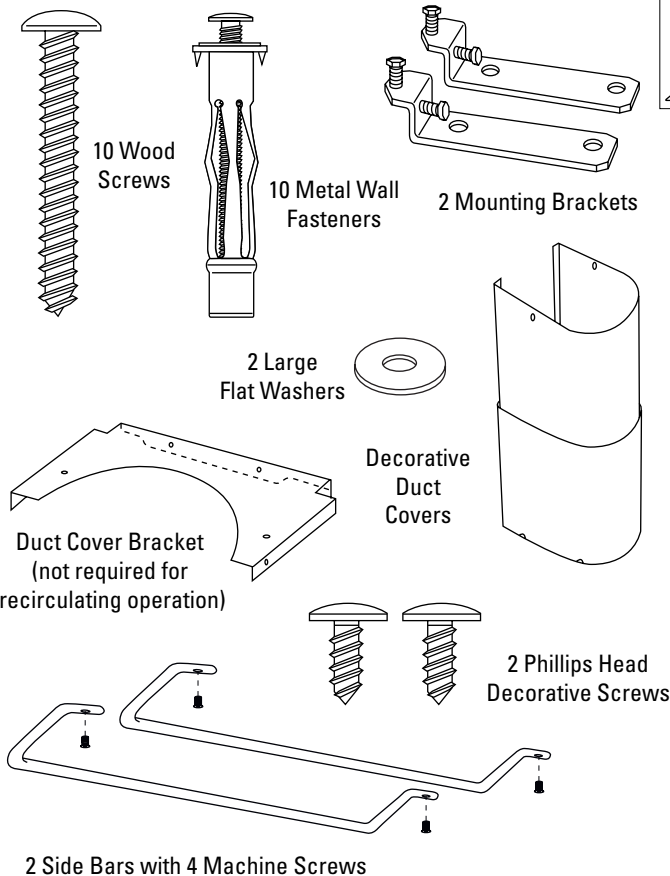
- Locate and remove 2 screws at the top of the assembly and 2 screws inside the hood behind the filter guides on the left and right sides. Discard the shipping board.



- Remove junction box cover.
- Remove knockout from junction box.
- Install strain relief onto junction box.

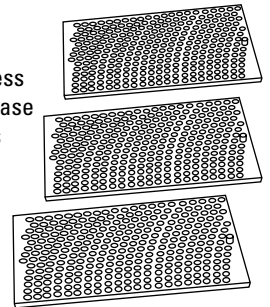
Check Installation Hardware

Locate the hardware accessory box packed with the hood and check contents.

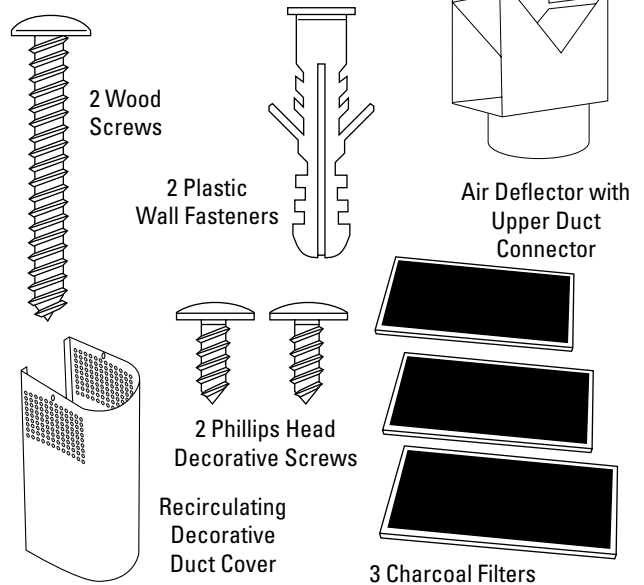


Wall Mount Template

3 Stainless Steel Grease Filters



Check contents of the required accessory, ZXR758 or ZXR7510.

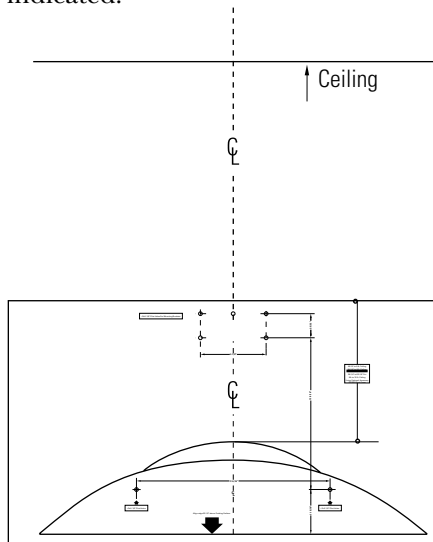


Installation Instructions

1 DETERMINE INSTALLATION LOCATION

To determine the exact location of the vent hood.

- Locate the template packed with the literature.
 - Measure 36" from the floor to the top of the cooking surface. Add 25-1/2" recommended space from the cooking surface to the bottom of hood. Mark that location.
 - Use a level to draw a straight pencil line on the wall.
 - Tape the template in position along the penciled line. **CHECK TO BE SURE THE TEMPLATE IS LEVEL.**
 - Measure from the peak of the hood to the ceiling as indicated.



For ZXR758 –

26-1/4" to 38-1/2" for 8 ft. to 9 ft. ceilings.

For ZXR7510 –

38-1/4" to 50-1/4" for 9 ft. to 10 ft. ceilings.

- Use a level to draw a line straight up, from the centerline on the template to the ceiling.

House Wiring Locations

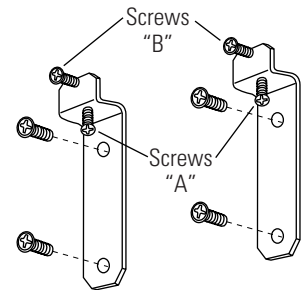
- The junction box is located on the top of the hood, at the front right side.
- Route house wiring as close to the installation location as possible; through the ceiling, soffit or back wall. Wiring should enter at least 4" above the bracket on the right side.

2 INSTALL MOUNTING BRACKETS

Whenever possible, the vent hood should be secured to wall studs.

- With the template taped in place, use a punch to mark all mounting screw locations.
- Drill 1/8" pilot holes at the 6 punched locations.
- Remove the template.
- Enlarge holes that did not enter studs to 3/8" and tap anchors for metal wall fasteners into the holes.
 - Drive screws into the fasteners to allow anchors to expand against the wall material. Remove the screws for final installation.
- Secure the mounting brackets to the wall studs with wood screws provided.
 - For hollow walls, secure the mounting brackets through the anchors.

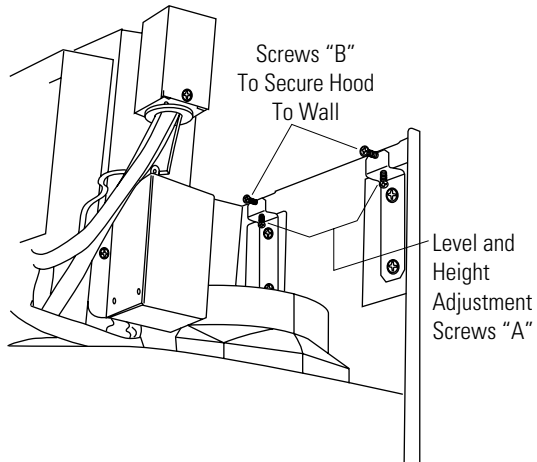
Note: Screws "A" and "B" are pre-assembled onto the brackets. Do not remove these screws.



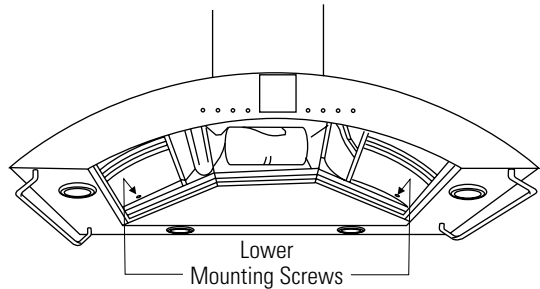
Installation Instructions

3 INSTALL THE HOOD

Place the hood on the brackets and slide left to right to align with rectangular slots at the top.



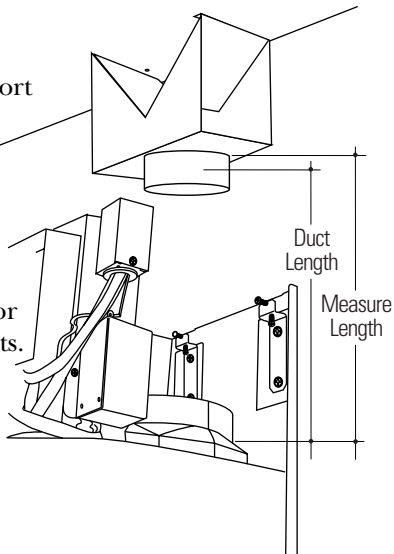
- Adjust the installation height by tightening or loosening the screws "A" at the bottom of the brackets.



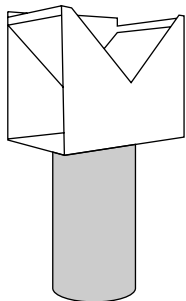
- Align the hood lower mounting holes with pilot holes in the wall.
- Using two large flat washers (supplied), install wood screws or wall fastener screws, loosely, into lower mounting holes. Do not tighten.
- Level the hood by tightening or loosening the screws "A" located on the bottom mounting brackets.
- Tighten lower mounting screws.
- Tighten screws "B" located at the top of the mounting bracket against the hood to clamp the position. **Do not overtighten screws.**

4 SIZE DUCT PIECE

- Hold upper air deflector with duct connector against the ceiling.
- Measure from the bottom of the support to top of the hood as shown. Reduce this dimension by 1" to facilitate installation. The duct will cover/overlap the deflector and the hood outlets.

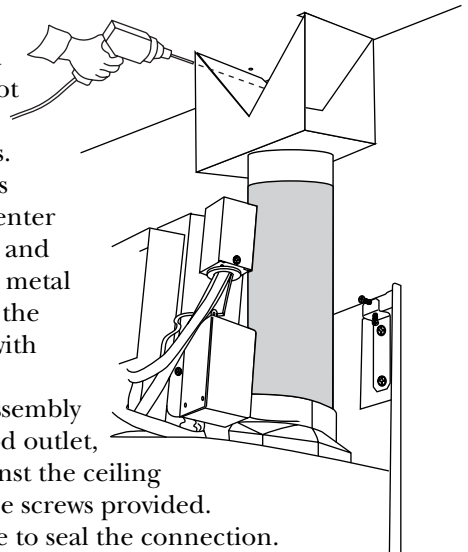


- Cut duct piece to size and slip onto the bottom of the duct connector.
- Use duct tape to secure duct piece to connector.



5 INSTALL AIR DEFLECTOR ASSEMBLY

- Place the assembly over the hood outlet.
- Hold the assembly against the ceiling. The penciled centerline should show through the slot on the deflector. Mark the two screw holes on the back of the assembly.
- Remove the assembly and drill 1/8" pilot holes into the wall studs.
- Enlarge holes that did not enter studs to 3/8" and tap plastic or metal anchors into the holes, flush with the wall.
- Mount the assembly onto the hood outlet, push up against the ceiling and install the screws provided.
- Use duct tape to seal the connection.



CAUTION: Do not use sheet metal screws on the bottom duct flange.

Installation Instructions

6 CONNECT ELECTRICAL

- Verify that power is turned off at the source.

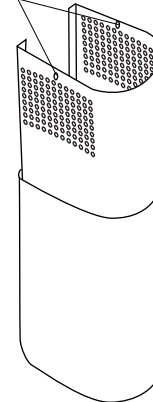
WARNING: If house wiring is not 2-wire with a ground wire, a ground must be provided by the installer. When house wiring is aluminum, be sure to use U.L. approved anti-oxidant compound and aluminum-to-copper connectors.

- Insert house wiring through strain relief and tighten.
- Connect white leads to branch circuit white lead.
- Connect black leads to branch circuit black lead.
- Connect green/yellow leads to branch circuit green lead or bare ground lead.
- Secure all connections with wire nuts on each electrical connector.
- Push wires into junction box and replace cover. Be sure wires are not pinched.

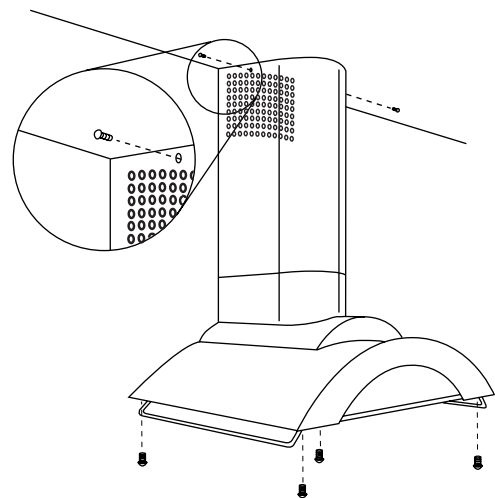
7 INSTALL DUCT COVERS AND UTILITY BARS

- Separate the duct covers supplied with the hood.
- Discard the upper (inner) section.
- Insert the ZXR758 or ZXR7510 duct cover (with vent holes) into the original lower section. Be sure that the new duct section is inside the shorter original section.

Mounting Screw Holes

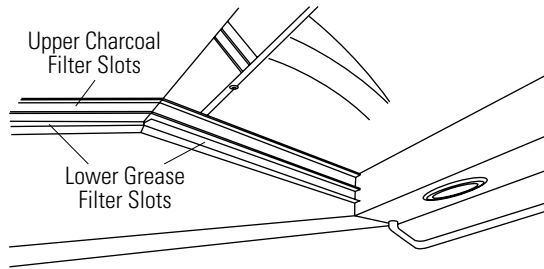


- Place the decorative duct covers on top of the hood.
- Insert the lower portion of the duct cover into the impressions on the top of the hood.
- Extend the inner duct upwards to meet the ceiling and support frame.
- Secure the duct cover to the frame with the 2 small Phillips screws provided.
- Install the side utility bars as shown with screws provided.



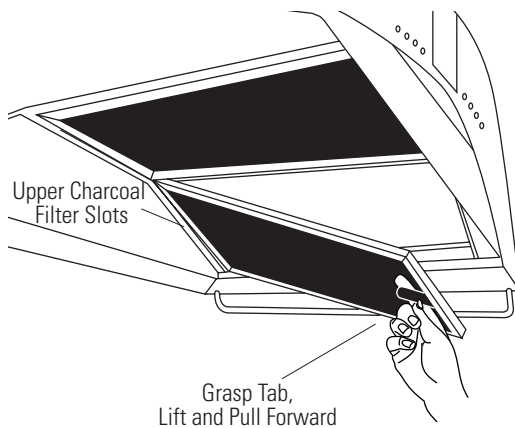
Installation Instructions

8 INSTALL FILTERS



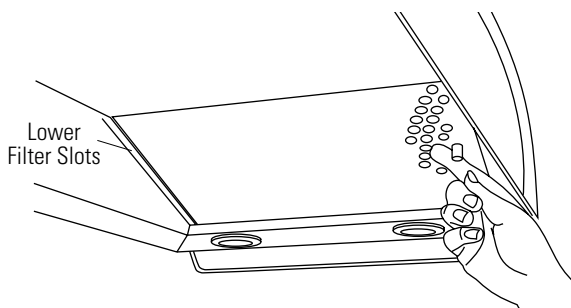
- There are two slots inside the back and front of the hood. These slots will hold the charcoal filters and stainless steel grease filters in place.

Install Charcoal Filters



- Remove protective film on charcoal filters.
- Tip charcoal filters into the upper (top) slots at the rear of the opening. Grasp the filter tab, lift and pull forward until it rests in the front slots.
- Install all 3 charcoal filters.

Install Grease Filters



- Remove protective film from grease filters.
- Tip the grease filter into the lower slots at the rear of the opening. Lift the filter and pull the knob forward until the filter rests on the slots.
- Install all 3 grease filters.
- To remove the filters, grasp the knob, push the filter toward the rear and tilt downward. Grasp tabs on charcoal filters, push toward the rear and tilt downward.

9 FINALIZE INSTALLATION

- Remove the protective film covering the control panel on the front face of the hood, and any other packaging materials.
- Refer to the Owner's Manual for operating instructions.



Monogram.[®]

GE Consumer & Industrial
GE Appliances
General Electric Company
Louisville, KY 40225
monogram.com
©2007 GE Company

Note: While performing installations described in this book, safety glasses or goggles should be worn.

For Monogram[™] local service in your area, call 1.800.444.1845.

Note: Product improvement is a continuing endeavor at General Electric. Therefore, materials, appearance and specifications are subject to change without notice.

Pub. No. 49-80046-1

04/07 JR

Printed in Italy

Free Manuals Download Website

<http://myh66.com>

<http://usermanuals.us>

<http://www.somanuals.com>

<http://www.4manuals.cc>

<http://www.manual-lib.com>

<http://www.404manual.com>

<http://www.luxmanual.com>

<http://aubethermostatmanual.com>

Golf course search by state

<http://golfingnear.com>

Email search by domain

<http://emailbydomain.com>

Auto manuals search

<http://auto.somanuals.com>

TV manuals search

<http://tv.somanuals.com>