

Air Valve Repair Kit 257087

313757B

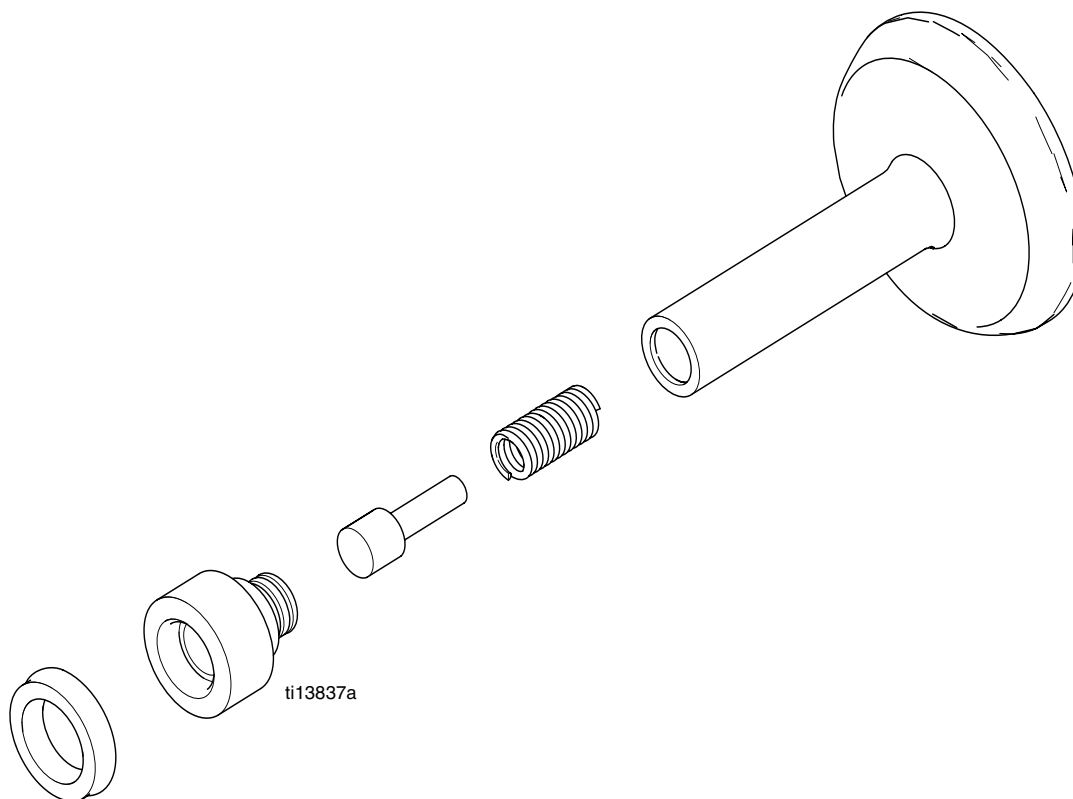
- This manual contains kit installation instructions only -

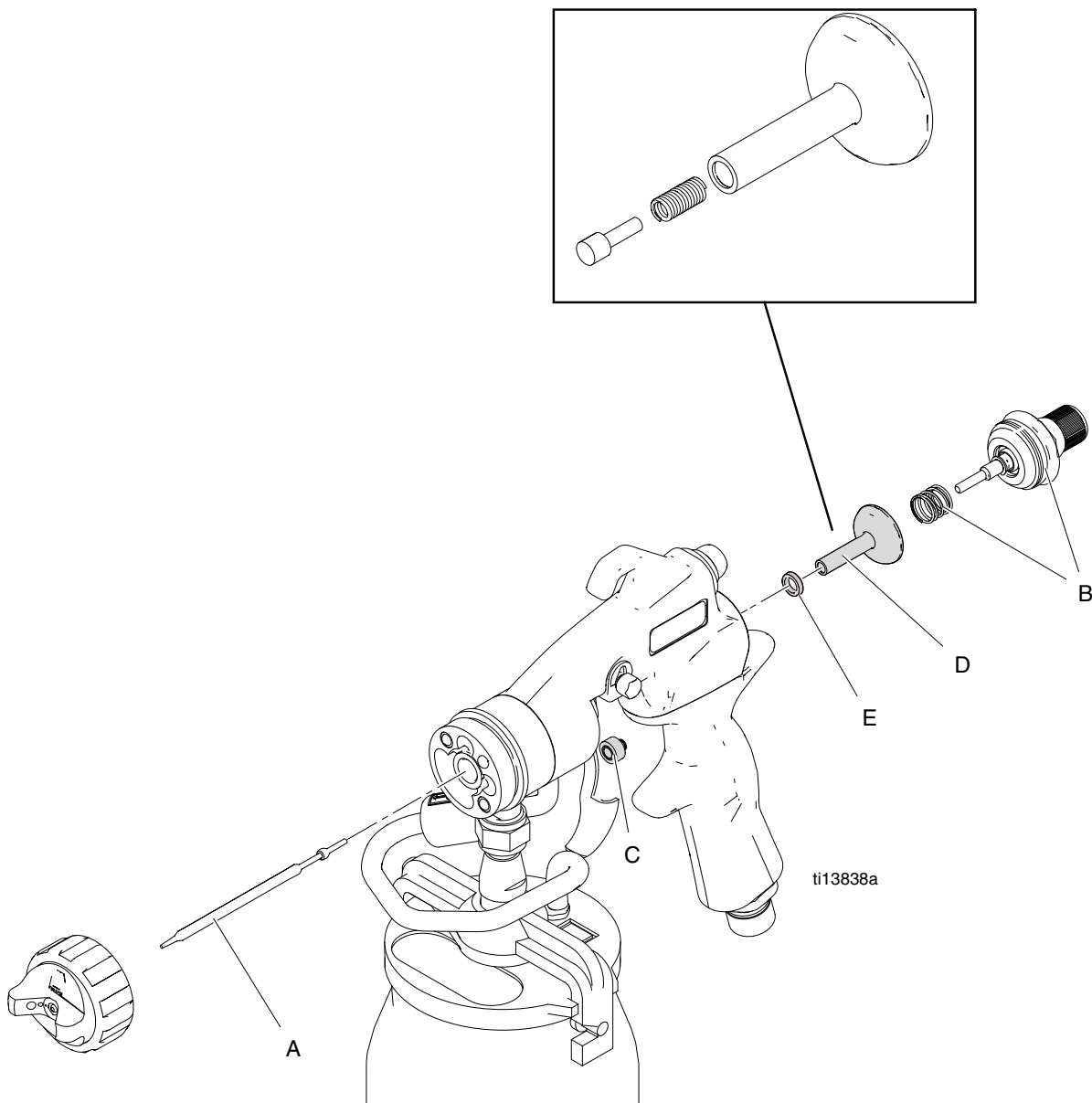
For use with the following gun models: 256855, 256856, 257092, 257388, 257827



IMPORTANT SAFETY INSTRUCTIONS

For detailed gun information and warnings, see manual included with gun.





1. Remove needle (A).
2. Remove fluid stop and spring (B).
3. Remove brass nut (C) from air valve and remove air valve (D) from gun. Do not lose small pieces in air valve.
4. Replace packing (E).
5. Install new air valve (D).
6. Install brass nut (C) on air valve.
7. Install fluid stop and spring (B).
8. Install needle (A).

All written and visual data contained in this document reflects the latest product information available at the time of publication. Graco reserves the right to make changes at any time without notice.

This manual contains English. MM 313752

Graco Headquarters: Minneapolis
International Offices: Belgium, China, Japan, Korea

GRACO INC. P.O. BOX 1441 MINNEAPOLIS, MN 55440-1441
 Copyright 2008, Graco Inc. is registered to I.S. EN ISO 9001
 www.graco.com
 Copyright 2009

Free Manuals Download Website

<http://myh66.com>

<http://usermanuals.us>

<http://www.somanuals.com>

<http://www.4manuals.cc>

<http://www.manual-lib.com>

<http://www.404manual.com>

<http://www.luxmanual.com>

<http://aubethermostatmanual.com>

Golf course search by state

<http://golfingnear.com>

Email search by domain

<http://emailbydomain.com>

Auto manuals search

<http://auto.somanuals.com>

TV manuals search

<http://tv.somanuals.com>