

16G351 Electric Power Conversion Kit

3A1324B

EN



**Converts ProMix 2KE Electronic Proportioners from an intrinsically safe air-powered alternator power supply to a non-intrinsically safe electric power supply.
For professional use only.**

Not approved for use in European explosive atmosphere locations.



Important Safety Instructions

Read all warnings and instructions in this manual and your separate ProMix 2KE manuals. Save these instructions.


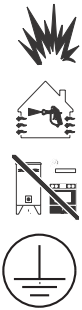

						
<p>Converting the ProMix 2KE proportioner from an air-powered alternator power supply to an electric power supply voids the intrinsically safe rating of the equipment.</p>						

Kit Parts

Ref.	Part	Description	Qty.
401	15V747	POWER SUPPLY, 24 VDC, 2.5 A, 60 watt, B-code	1
402	116320	SWITCH, rocker, power	1
403	115306	FILTER, power line	1
404	114095	BLOCK, terminal	1
405	112144	SCREW, machine, pan head	4
406	109467	SCREW, machine, pan head	2
407	103833	SCREW, machine	2
408	100139	PLUG, pipe	1
410	16H077	HARNESS, 2-wire; 8 in. (203 mm)	1
411	16H078	HARNESS, 3-wire; 4 in. (102 mm)	1
413	15V206	CABLE, CAN; 10 ft (3 m)	1

Warnings

The following warnings are for the setup, use, grounding, maintenance, and repair of this equipment. The exclamation point symbol alerts you to a general warning and the hazard symbols refer to procedure-specific risks. When these symbols appear in the body of this manual, refer back to these Warnings. Product-specific hazard symbols and warnings not covered in this section may appear throughout the body of this manual where applicable.

 WARNING	
	<p>FIRE AND EXPLOSION HAZARD</p> <p>Flammable fumes, such as solvent and paint fumes, in work area can ignite or explode. To help prevent fire and explosion:</p> <ul style="list-style-type: none"> • Use equipment only in well ventilated area. • Eliminate all ignition sources; such as pilot lights, cigarettes, portable electric lamps, and plastic drop cloths (potential static arc). • Keep work area free of debris, including solvent, rags and gasoline. • Do not plug or unplug power cords, or turn power or light switches on or off when flammable fumes are present. • Ground all equipment in the work area. See Grounding instructions. • Use only grounded hoses. • Hold gun firmly to side of grounded pail when triggering into pail. • If there is static sparking or you feel a shock, stop operation immediately. Do not use equipment until you identify and correct the problem. • Keep a working fire extinguisher in the work area.
	<p>ELECTRIC SHOCK HAZARD</p> <p>This equipment must be grounded. Improper grounding, setup, or usage of the system can cause electric shock.</p> <ul style="list-style-type: none"> • Turn off and disconnect power at main switch before disconnecting any cables and before servicing equipment. • Connect only to grounded power source. • All electrical wiring must be done by a qualified electrician and comply with all local codes and regulations.

Remove the Alternator



1. Shut off the system's main air valve. Open the control box.
2. See FIG. 1. Disconnect output power cable connections from alternator module (A). Disconnect ground lead (G) from control box ground terminal (T).
3. Disconnect the power supply cables from the Advanced Fluid Control Module (AFCM), USB Module, and Display Module.
4. **Systems with a USB Module:** Disconnect and save the cable (412) that runs from the AFCM to the alternator.
5. Disconnect air regulator line and exhaust air line from alternator module. Remove air regulator assembly (R) from solenoid manifold (M). Install plug (408) from kit in the open manifold port.
6. Remove four screws (S) from mounting to remove alternator from control box.

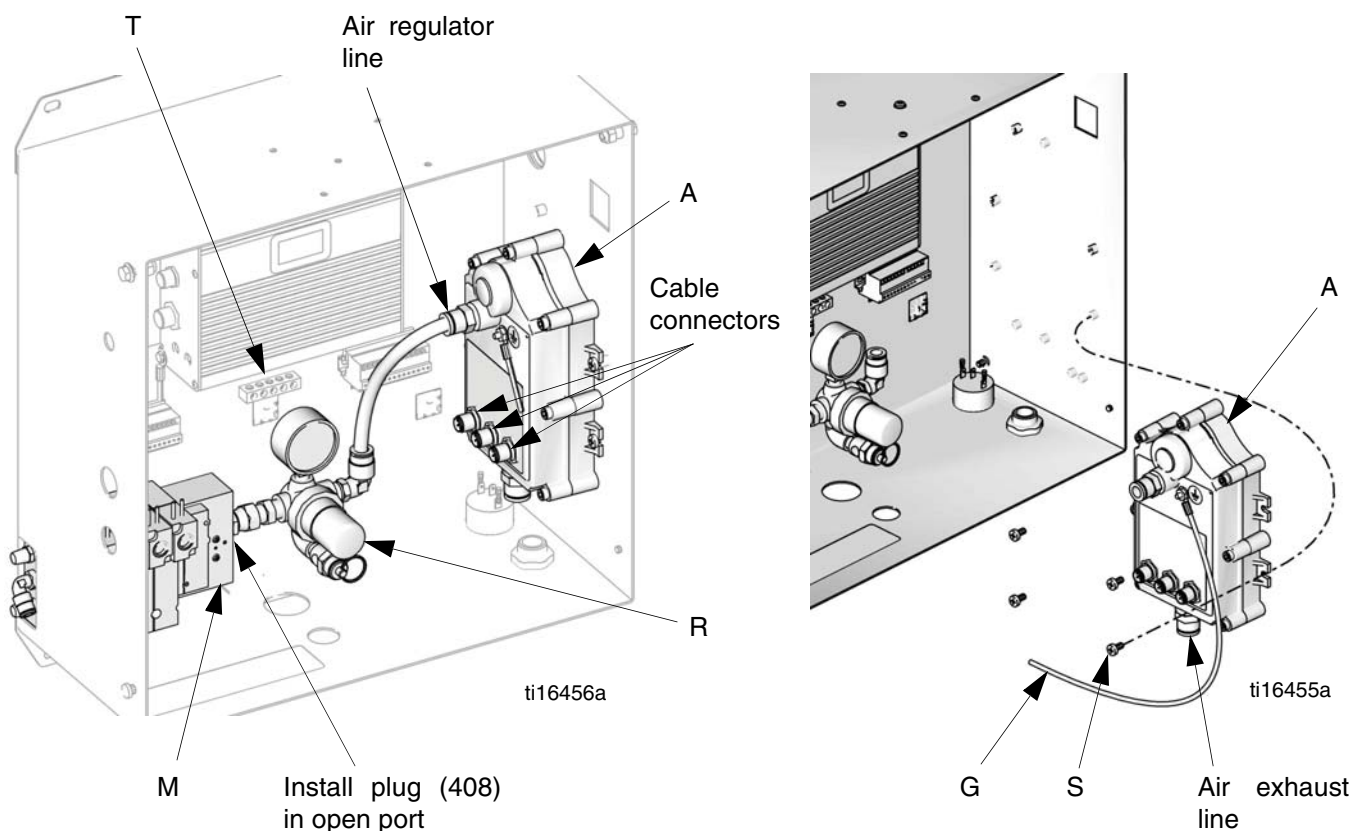
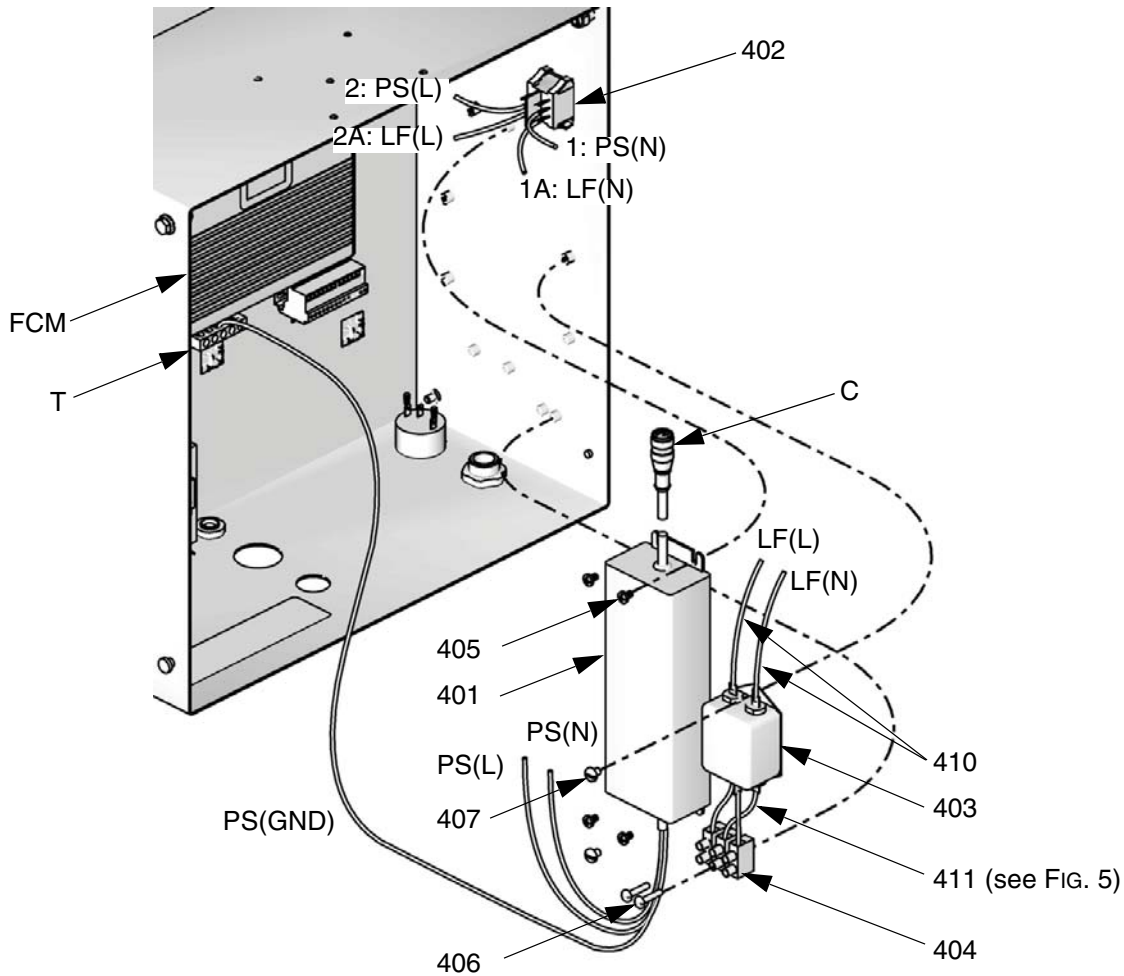


FIG. 1. Remove Alternator Module

Install the Kit

Component Installation

1. Shut off electrical power at the main panel.
2. See FIG. 2. Remove the square knockout in the side of the control box. Install the power switch (402).
3. Install the power supply (401), line filter (403), and terminal block (404), using supplied screws (405, 407, 406), as shown.
4. See FIG. 2. Connect wire harness (410/LF) to the line filter (403) and switch (402), as shown. See also FIG. 6, Electrical Schematic.
5. Connect the power supply wire harness (PS) to the switch (402), as shown. See also FIG. 6, Electrical Schematic. Connect the PS ground wire to the ground terminal (T) of the control box.
6. See FIG. 5. Connect wire harness (411) to the line filter (403) and terminal block (404), as shown. See also FIG. 6, Electrical Schematic.



ti16454b

FIG. 2. Install Power Supply Kit

Install the Power CAN Cables

Systems with a USB Module

1. See FIG. 3. Connect cable (413) to J6 of the display module and to connector P3 of the USB module.
2. Connect saved cable (412) to connector P4 of the USB module and to J8 of the Advanced Fluid Control Module.
3. Connect the power supply CAN cable (C, FIG. 2) to J7 on the Advanced Fluid Control Module (FIG. 3).
4. See your ProMix 2KE Operation manual for instructions on using the USB module.

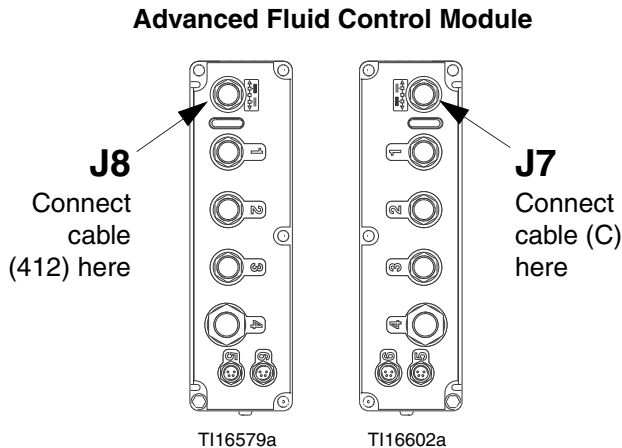
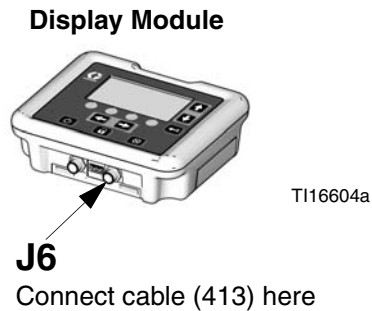
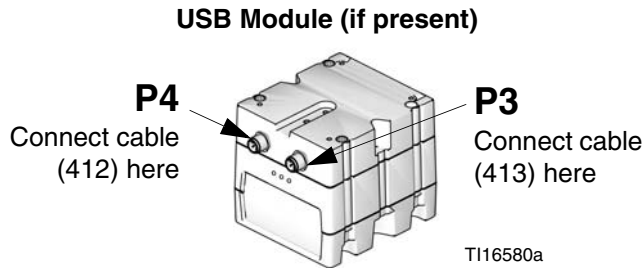


FIG. 3. Install Power CAN Cables (with USB Module)

Systems without a USB Module

1. See FIG. 4. Connect cable (413) to J6 of the display module and to J8 of the Advanced Fluid Control Module.
2. Connect the power supply CAN cable (C, FIG. 2) to J7 on the Advanced Fluid Control Module (FIG. 4).

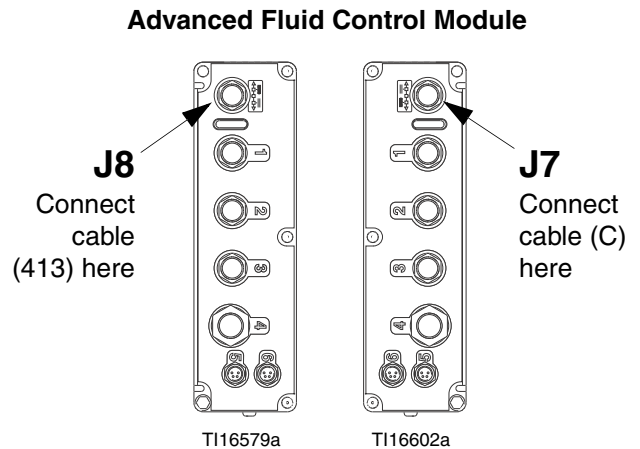
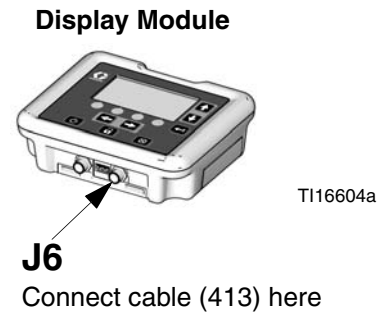





FIG. 4. Install Power CAN Cables (without USB Module)

Power Connection

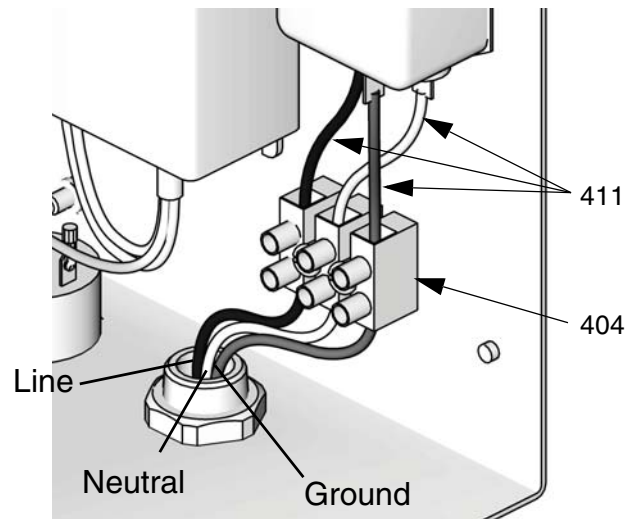
						
<p>All electrical wiring must be completed by a qualified electrician and comply with all local codes and regulations.</p>						

Enclose all cables routed in the spray booth and high traffic areas in conduit to prevent damage from paint, solvent, and traffic.

The ProMix 2KE operates with 85-250 VAC, 50/60 Hz input power, with a maximum of 2 amp current draw. The power supply circuit must be protected with a 15 amp maximum circuit breaker.

Not included with kit:

- Power supply cord compatible to your local power configuration. Wire gauge size must be 8-14 AWG.
 - The input power access port is 22.4 mm (0.88 in.) in diameter. It accepts a bulkhead strain relief fitting or conduit.
1. Verify that electrical power at the main panel is shut off.
 2. Connect electrical cord to the terminal block (404) as shown in FIG. 5.
 3. Close the Control Box. Restore power.
 4. Follow instructions in **Grounding** in your ProMix 2KE Operation Manual.
 5. See your ProMix 2KE Operation manual for operating instructions.



ti16391a

FIG. 5. Terminal Block Electrical Connections

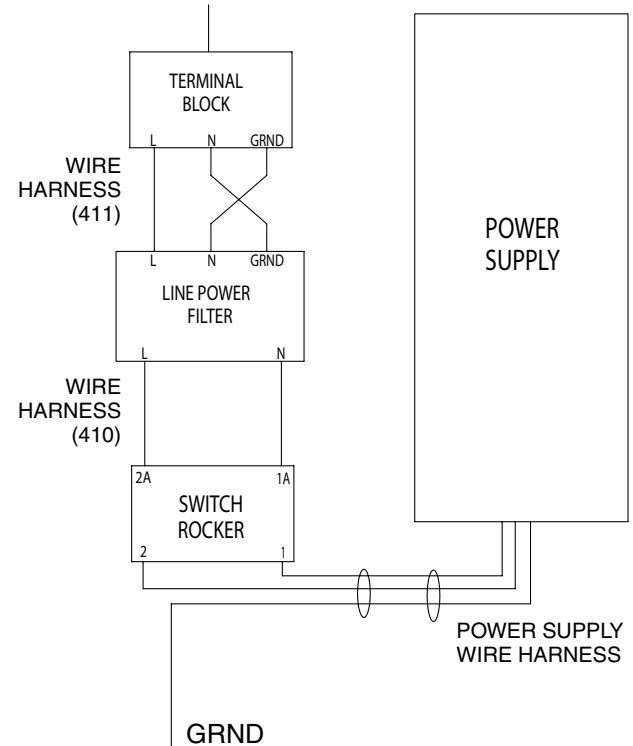


FIG. 6. Electrical Schematic

Graco Standard Warranty

Graco warrants all equipment referenced in this document which is manufactured by Graco and bearing its name to be free from defects in material and workmanship on the date of sale to the original purchaser for use. With the exception of any special, extended, or limited warranty published by Graco, Graco will, for a period of twelve months from the date of sale, repair or replace any part of the equipment determined by Graco to be defective. This warranty applies only when the equipment is installed, operated and maintained in accordance with Graco's written recommendations.

This warranty does not cover, and Graco shall not be liable for general wear and tear, or any malfunction, damage or wear caused by faulty installation, misapplication, abrasion, corrosion, inadequate or improper maintenance, negligence, accident, tampering, or substitution of non-Graco component parts. Nor shall Graco be liable for malfunction, damage or wear caused by the incompatibility of Graco equipment with structures, accessories, equipment or materials not supplied by Graco, or the improper design, manufacture, installation, operation or maintenance of structures, accessories, equipment or materials not supplied by Graco.

This warranty is conditioned upon the prepaid return of the equipment claimed to be defective to an authorized Graco distributor for verification of the claimed defect. If the claimed defect is verified, Graco will repair or replace free of charge any defective parts. The equipment will be returned to the original purchaser transportation prepaid. If inspection of the equipment does not disclose any defect in material or workmanship, repairs will be made at a reasonable charge, which charges may include the costs of parts, labor, and transportation.

THIS WARRANTY IS EXCLUSIVE, AND IS IN LIEU OF ANY OTHER WARRANTIES, EXPRESS OR IMPLIED, INCLUDING BUT NOT LIMITED TO WARRANTY OF MERCHANTABILITY OR WARRANTY OF FITNESS FOR A PARTICULAR PURPOSE.

Graco's sole obligation and buyer's sole remedy for any breach of warranty shall be as set forth above. The buyer agrees that no other remedy (including, but not limited to, incidental or consequential damages for lost profits, lost sales, injury to person or property, or any other incidental or consequential loss) shall be available. Any action for breach of warranty must be brought within two (2) years of the date of sale.

GRACO MAKES NO WARRANTY, AND DISCLAIMS ALL IMPLIED WARRANTIES OF MERCHANTABILITY AND FITNESS FOR A PARTICULAR PURPOSE, IN CONNECTION WITH ACCESSORIES, EQUIPMENT, MATERIALS OR COMPONENTS SOLD BUT NOT MANUFACTURED BY GRACO. These items sold, but not manufactured by Graco (such as electric motors, switches, hose, etc.), are subject to the warranty, if any, of their manufacturer. Graco will provide purchaser with reasonable assistance in making any claim for breach of these warranties.

In no event will Graco be liable for indirect, incidental, special or consequential damages resulting from Graco supplying equipment hereunder, or the furnishing, performance, or use of any products or other goods sold hereto, whether due to a breach of contract, breach of warranty, the negligence of Graco, or otherwise.

FOR GRACO CANADA CUSTOMERS

The Parties acknowledge that they have required that the present document, as well as all documents, notices and legal proceedings entered into, given or instituted pursuant hereto or relating directly or indirectly hereto, be drawn up in English. Les parties reconnaissent avoir convenu que la rédaction du présente document sera en Anglais, ainsi que tous documents, avis et procédures judiciaires exécutés, donnés ou intentés, à la suite de ou en rapport, directement ou indirectement, avec les procédures concernées.

Graco Information

For the latest information about Graco products, visit www.graco.com.

TO PLACE AN ORDER, contact your Graco distributor or call to identify the nearest distributor.

Phone: 612-623-6921 **or Toll Free:** 1-800-328-0211 **Fax:** 612-378-3505

All written and visual data contained in this document reflects the latest product information available at the time of publication. Graco reserves the right to make changes at any time without notice.

Original instructions. This manual contains English. MM 3A1324

Graco Headquarters: Minneapolis

International Offices: Belgium, China, Japan, Korea

GRACO INC. AND SUBSIDIARIES • P.O. BOX 1441 • MINNEAPOLIS MN 55440-1441 • USA

Copyright 2010, Graco Inc. All Graco manufacturing locations are registered to ISO 9001.

www.graco.com

Revised 08/2011

Free Manuals Download Website

<http://myh66.com>

<http://usermanuals.us>

<http://www.somanuals.com>

<http://www.4manuals.cc>

<http://www.manual-lib.com>

<http://www.404manual.com>

<http://www.luxmanual.com>

<http://aubethermostatmanual.com>

Golf course search by state

<http://golfingnear.com>

Email search by domain

<http://emailbydomain.com>

Auto manuals search

<http://auto.somanuals.com>

TV manuals search

<http://tv.somanuals.com>