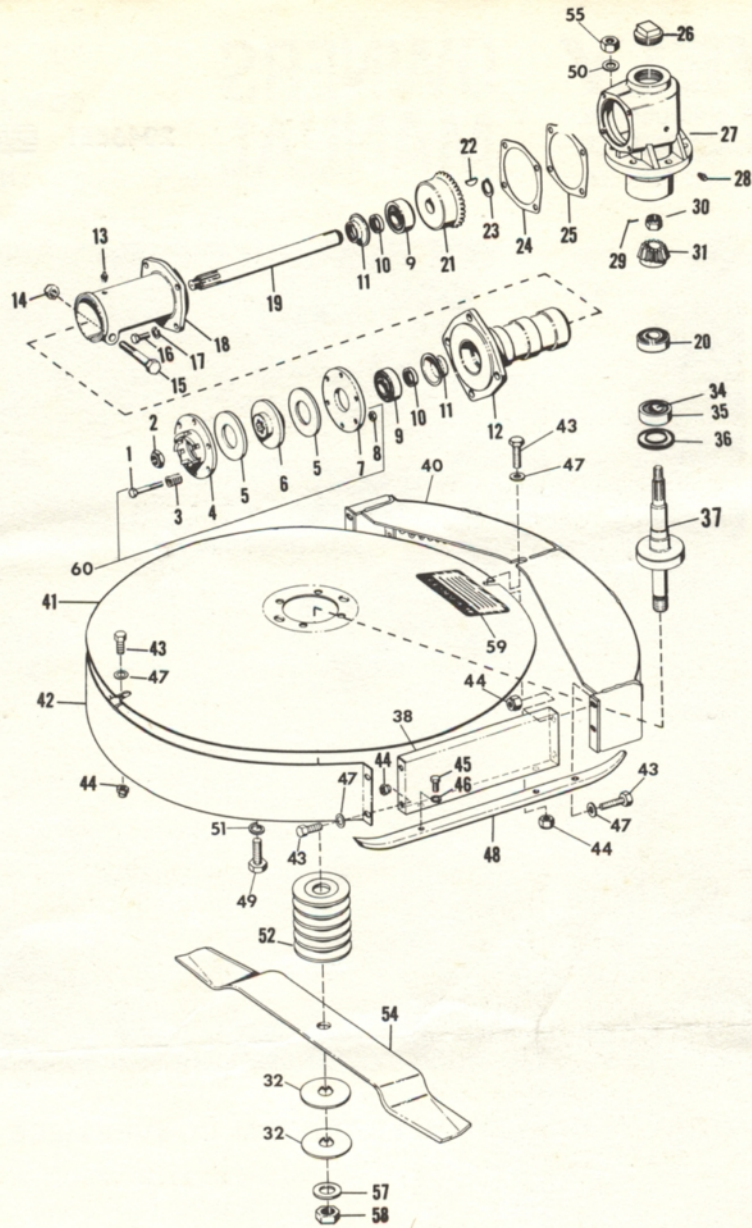


30" ROTARY MOWER WITH 7.6 CUSTOM CONVERTIBLE TRACTOR

GENERAL

1. The 30" Rotary Mower is designed and built to give many years of excellent service. The mower is recommended for rough mowing conditions; has all gear drive, heavy steel deck, rugged skids, and a heavy duty, adjustable blade. The mower attaches to all 7.6 convertible and C10A & C12 tractors.
2. The Owners Manual includes the parts list, setting up the mower, safety, operation, and maintenance instructions. Use the parts list for reference to individual part numbers. Contact the Gravelly Dealer for further information.
3. **CUTTING WIDTH:** 30"
LENGTH: 36 1/2"
HEIGHT: 14 1/2"
WIDTH: 32"
WEIGHT: 120 lbs.
DRIVE: Right angle bevel gear in cast iron housing, tapered roller bearings.
DECK: Heavy duty 3/16" welded steel.
BLADE: Steel, 30" length, 3/8" thick, hi-strength, hi-lift.
FEATURES: All gear drive, adjustable swivel action, chain guard.
USAGE: Heavy mowing conditions.
APPLICATION: All 7.6 convertible tractors, C10A & C12 tractors.



ITEM NO.	PART NO.	DESCRIPTION	ITEM NO.	PART NO.	DESCRIPTION
1	181618	5/16-24 x 1-3/4 Hex Head Bolt	34	13142P1	Cone, Roller Bearing
2	13412P1	5/8-18 Locknut Esna	35	13139P1	Race, Roller Bearing
3	12871P1	Spring	36	13171P1	Oil Seal (Dual Lip)
4	12867P1	Dog Plate	37	19844P1	Rotor Shaft
5	12870P1	Friction Washer	38	12855P1	Skid Panel
6	12869P1	Drive Plate	40	10260A1	Chain Guard
7	12868P1	Back Plate	41	10110A3	Deck Weldment
8	18277P1	5/16-24 Thin Light Esna	42	10109A1	Rear Fender Weldment
9	13143P1	Bearing Race	43	181596	5/16-24 x 7/8 Hex Head Bolt
10	13144P1	Bearing Cone	44	190139	5/16-24 Hex Washer Insert Locknut
11	13122P1	Oil Seal	45	181593	5/16-24 x 5/8 Hex Head Bolt
12	12550P1	Oil Seal Retainer	46	138538	5/16 Internal Tooth Lockwasher
13	11815P1	Shaft Housing	47	120386	5/16 x 47/64 x .065 Flatwasher
14	94110100	Lincoln #5000 or Equiv. Grease Fitting	48	12866P1	Chain Guard Skid
15	435507	1/2-13 Washer Insert Locknut	49	180177	1/2-13 x 1-1/2 Hex Head Bolt
16	180191	Bolt 1/2-13 x 3-1/4 Hex Head	50	120390	9/16 x 1-3/8 x .109 Flatwasher
17	180122	3/8-16 x 1 Hex Head Bolt	51	120384	1/2 Spring Lockwasher
18	138542	3/8 Internal Tooth Lockwasher	52	12858P1	Loose Collar 1/4"
19	12023P1	Swivel Casting	54	13209P1	Rotary Mower Blade, Heavy Duty
20	12566P1	Drive Shaft	55	120378	1/2-13 Light Semi-Finish Hex Nut
21	13145P1	Race, Roller Bearing	57	131018	1-3/4 x 15/16 x 1/8 Flatwasher
22	13146P1	Cone, Roller Bearing	58	451543	Nut 7/8-9 Hvy. Jam Hex
23	12862P1	Bevel Gear	59	18549P1	Decal Danger
24	120502	#11 Woodruff Key	60	10102A1	Attachement Clutch Assembly
25	13187P1	Retaining Ring	NS	13646P1	Gear Shim .010
26	12490P1	Gear House Shim .005	NS	12852P1	Gear Shim .005
27	12491P1	Gasket	NS	14101P1	Gear Shim .020
28	10499P1	Pipe Plug	NS	13584P1	3 Link Chain
29	12853P1	Gear Housing	NS	13585P1	2 Link Chain
30	103877	1/8 Square Head Pipe Plug (Steel)			
31	119120	3/32 x 1-1/4 Cotter Pin			
32	125384	5/8-18 Hex Thick Slotted Nut			
33	12850P1	Bevel Gear			
34	20626P1	Washer, Spindle Nut			

fig 1

ASSEMBLY

1. Set the drive on the deck. Bolt it in place with the 6 bolts, flatwashers, lockwashers, and nuts. fig 1, Items 49, 50, 51, & 55. Insert the bolts from under the deck.
2. Remove nut, flatwashers, nut washers, and loose collars from the rotor shaft and install the blade as in fig 1.
3. Cutting height is determined by the placement of the loose collars above and below the blade, fig 1, Item 51. For an average cutting height, use 3 loose collars above and 3 loose collars below the blade. The 2 nut washers are always placed next to the flatwasher and nut as in fig 1. Tighten the rotor shaft nut to 100 ft. lbs. fig 1, Item 58. Equivalent tightness can be obtained with a 15367E1 Wrench or a 16" flex handle and socket.

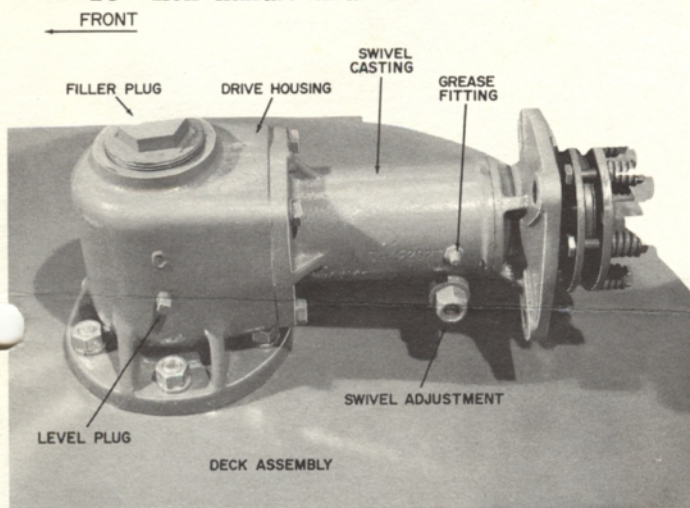


fig 2
DRIVE MOUNTED ON DECK

LUBRICATION

1. Remove the filler plug and level plug in fig 2. Fill the drive housing to the oil level plug with SAE 90 gear lubricant. Replace the plugs. Check the level periodically especially if signs of leakage are present.
2. Grease the swivel casting through the grease fitting on the casting with general purpose grease. Add grease until it comes out under the swivel adjustment. Regrease once a season; fig 2.

INSTALLATION

1. The mower attaches to the tractor with 2 bolts and 2 nuts as shown in fig 3. Do not damage the threaded studs.

SAFETY

1. REFER to the tractor Owners Manual to familiarize yourself with all controls before operation.
2. DO NOT ALLOW PASSENGERS to accompany operator at any time.
3. DO NOT ALLOW CHILDREN to operate equipment, nor allow adults to operate it without proper instructions.
4. INSPECT WORK AREA for rocks, glass, metal, bones, and any other foreign objects. Stay alert for holes and other hidden hazards.
5. USE EXTREME CAUTION when operating on slopes.
6. REDUCE SPEED on all side slopes and sharp turns.
7. DO NOT OPERATE equipment except from proper operator's position.
8. KEEP SAFETY devices and shields in place at all times.
9. DISENGAGE POWER to attachment and stop engine prior to making any adjustment or clearing the unit.
10. DO NOT WEAR LOOSE fitting clothing.
11. KEEP HANDS, feet, hair, clothing, etc., away from moving parts.
12. KEEP BYSTANDERS and pets removed from the work area.
13. EXERCISE CAUTION to avoid slipping or falling, especially when operating in reverse.
14. DIRECT DISCHARGE so as not to endanger life or property; such as people, pets, structures, cars, etc.

OPERATION

1. Refer to the tractor Owners Manual for safety and operating instructions to engage and disengage P.T.O. (Power Take-Off).
2. After the P.T.O. is engaged run the engine at full speed. In thick, lush growth reduce ground speed (not engine speed) to allow the mower enough time to cut and discharge.

ROUTINE MAINTENANCE

1. Check rotor shaft nut to insure tightness.
2. Check P.T.O. attaching bolts and nuts to insure tightness.
3. Check drive assembly to deck nuts and bolts to insure tightness.
4. Perform the lubrication as described in LUBRICATION, paragraphs 1 and 2.
5. Keep mower blade sharp and balanced.
6. Clear the mower of cuttings and debris.

REMOVAL FROM TRACTOR

1. Reverse procedure of INSTALLATION, paragraph 1.

ADJUSTMENTS

1. Swivel action of the mower is regulated by the nut and bolt on the swivel casting, fig 2. Loosening allows more swivel action; tightening reduces the action. The swivel action should allow the mower to follow ground contour.

2. The cutting height of the mower is adjusted by the loose collars, See paragraph 3 of ASSEMBLY.
3. Safety clutch action is regulated by the attachment clutch assembly, fig 1, Item 60. Loosen all 6 locknuts, Item 8. Tighten the 6 bolts all the way into the threaded back plate, Items 1 & 7. Back off each bolt 1/2 turn. Lock the bolts in position with the nuts.

STORAGE

1. Clean mower of all cuttings and dirt.
2. Perform all lubrication maintenance.
3. Apply a light coat of oil to preserve the finish and appearance.

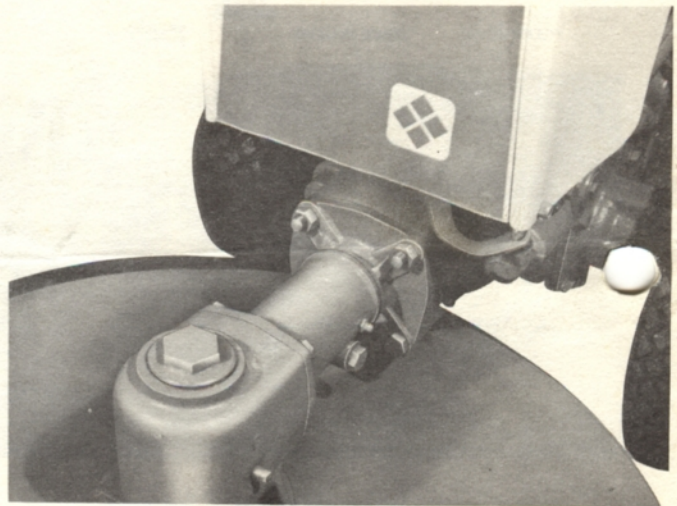


fig 3
MOWER ATTACHED TO TRACTOR

WARRANTY

Products manufactured by Gravely are warranted to be free from defective material and workmanship for a period of one year from date of purchase, under normal use by a homeowner, and for a period of ninety (90) days from date of purchase, when used for commercial purposes.

Any defective part manufactured by Gravely will be replaced without charge provided such part is certified as defective by the manufacturer or by the manufacturer's expressly authorized representative.


IMPORTANT PROVISIONS

The foregoing warranty is in lieu of all others and GRAVELY MAKES NO REPRESENTATION OR WARRANTY OF ANY KIND, EXPRESS OR IMPLIED, AS TO MERCHANTABILITY, FITNESS FOR PARTICULAR PURPOSE, OR ANY OTHER MATTER.

This warranty is not subject to change or modification by field representatives or Gravely dealers.

Certain components carry separate warranties by the manufacturer of such components. Defective components are subject to their manufacturer's warranties, and any claims, work, or return of parts must be through an authorized Gravely dealer. Service costs for the transporting of a unit to and from the dealer are the responsibilities of the customer, and when such service is performed by the dealer, the dealer will charge the customer the usual rate for such service.

It is the customer's responsibility to mail the "Warranty Card" to the manufacturer within fourteen (14) days after date of purchase to ensure prompt handling of any warranty claim by the dealer or the manufacturer.

 **GRAVELY**
A Division of Clarke-Gravely Corporation
ONE GRAVELY LANE
Clemmons, North Carolina 27012

Free Manuals Download Website

<http://myh66.com>

<http://usermanuals.us>

<http://www.somanuals.com>

<http://www.4manuals.cc>

<http://www.manual-lib.com>

<http://www.404manual.com>

<http://www.luxmanual.com>

<http://aubethermostatmanual.com>

Golf course search by state

<http://golfingnear.com>

Email search by domain

<http://emailbydomain.com>

Auto manuals search

<http://auto.somanuals.com>

TV manuals search

<http://tv.somanuals.com>