



# Walk Behind Lawn Mower

## Owner/Operator Manual

### Models

911530 - Pro 21 SCH



**(GB)** ENGLISH

**(F)** FRANÇAIS

**(E)** ESPAÑOL

Transfer model & serial number label from product registration here.

Coller l'autocollant du modèle et du numéro de série dans cet encadré.

Transferir aquí la etiqueta del modelo y número de serie del registro del producto.

01239100A 3/03  
Supersedes 01239100  
Printed in USA



Ariens Company  
655 West Ryan Street  
P.O. Box 157  
Brillion, Wisconsin 54110-0157  
USA  
Telephone (920) 756-2141  
Facsimile (920) 756-2407

MODEL DECLARATION OF CONFORMITY ISSUED BY THE MANUFACTURER  
CERTIFICAT DE CONFORMITÉ DU MODÈLE DÉLIVRÉ PAR LE FABRICANT  
VOM HERSTELLER AUSGESTELLTE MODELL-ÜBEREINSTIMMUNGSERKLÄRUNG  
MODEL CERTIFICAAT VAN OVEREENSTEMMING AFGEGEVEN DOOR DE FABRIKANT

DICHIARAZIONE DI CONFORMITÀ DEL PRODOTTO REALIZZATA DAL PRODUTTORE  
MODELO DE DECLARACIÓN DE CONFORMIDAD EMITIDA POR EL FABRICANTE  
MODEL KONFORMITETSERKLÆRING UDGIVET AF FABRIKANTEN  
MODELLENS SAMSVARERKLÆRING UTFERDIGET AV PRODUSENTEN  
FÖRSÄKRAN OM MODELLÖVERENSSTÄMMELSE, UTFÄRDAT AV TILLVERKAREN

We the undersigned, - Je soussigné, - Mit meiner Unterschrift - Wij de ondergetekenden, - Il sottoscritto, - El abajo firmante - Undertegnede, - Undertecknaren av detta dokument, - Me, allekirjoittaneet, ARIENS COMPANY, declare that the Lawn Mower- certifie que la tondeuse à gazon - erklårt, dass der Rasenmäher - verklaart dat de maaitrekker - dichiara che il tosaerba - certifica que el cortacésped - erklærer, at græsslåmaskinen - erklærer at plenklipperen - intygar att gräsklipparen:

Category: **WALK BEHIND LAWN MOWER**

Make and Trade Name: **GRAVELY**

Model:	911530
Serial #Range:	000101 & up
Cutting Width (cm):	52.1

conform to the specifications of directive 2000/14/EC, 98/37/EC, 89/336/EEC and their current amendments. est conforme aux spécifications des directives 2000/14/CE, 98/37/CE et 89/336/CEE et à leurs modifications actuelles.

den Spezifikationen der Richtlinie 2000/14/EC, 98/37/EC, 89/336/EEC und deren aktuellen Zusätzen entspricht. voldøet aan de specificaties van richtlijn 2000/14/EG, 98/37/EG, 89/336/EEG en recente aanvullingen hierop. è conforme alle specifiche contenute nelle direttive 2000/14/EC, 98/37/EC, 89/336/EEC e nei loro relativi emendamenti.

cumple las especificaciones de la normativa 2000/14/EC, 98/37/EC, 89/336/EEC y sus enmiendas en curso. opfylder spesifikasjonene i Direktiv 2000/14/EF, 98/37/EF, 89/336/EØF og gældende ændringer. er i overensstemmelse med spesifikasjonene i direktiv 2000/14/EF, 98/37/EF, 89/336/EØF og de gjeldende endringer.

överensstämmer med specifikationerna i direktiven 2000/14/EC, 98/37/EC, 89/336/EEC och deras nuvarande tillägg.

Representative Measured Sound Power Level Niveau de puissance acoustique représentatif Repräsentativer gemessener Geräuschpegel Typisch gemeten geluidssterkeniveau Livello di potenza sonora rappresentativo rilevato Nivel de potencia acústica representativo medido Repräsentativt målt lydstyrkeniveau Representativt målt lydeffektivnivå Representativt uppmätt ljudnivå	98 dB <sub>A</sub>	Guaranteed Sound Power Level Niveau garanti de puissance acoustique Garanterter Geräuschpegel Gegarandeerd geluidssterkeniveau Livello di potenza sonora garantito Nivel de potencia acústica garantizado Garanteret lydstyrkeniveau Garantert lydeffektivnivå Garanterad ljudnivå	100 dB <sub>A</sub>
---	--------------------	--	---------------------

Stated Sound Power Levels are established following Annex VIII "Full Quality Assurance" of directive 2000/14/EC. Les déclarations de niveau de puissance acoustique sont établies conformément à l'Article VIII « Assurance qualité totale » de la directive 2000/14/CE. Die angegebenen Geräuschpegel wurden gemäß Anhang VIII „Totales Qualitäts-Management“ der EU-Richtlinie 2000/14/EC. Gespecificeerde geluidssterkeniveaus zijn vastgesteld aan de hand van Annex VIII "Full Quality Assurance" (Volledige kwaliteitsborging) van richtlijn 2000/14/EG. I livelli di potenza sonora dichiarati sono rilevati in base all'Appendice VIII del "Controllo qualità totale" della direttiva CE/2000/14. Los niveles de potencia acústica se establecen siguiendo el Anexo VIII "Garantía de calidad total" de la directiva 2000/14/EC. De anførte lydstyrkeniveauer er fastlagte efter tillæg VIII "Fuld kvalitets sikring" i direktiv 2000/14/EF. Lydeffektnivåene er fastsatt etter tillegg VIII "Full kvalitetssikring" i direktivet 2000/14/EF. Fastställda ljudnivåer har etablerats enligt bilaga VIII "Full kvalitetssäkring" i direktiv 2000/14/EC.

Notified Body –  
 Entité notifiée – Benachrichtigte  
 Körperschaft – Certificeringsinstantie  
 –Organismo notificato – Cuerpo  
 notificado – Bekendtgjort til –  
 Kunngjøring til – Underrättad  
 myndighet –

SNCH/TUV Rheinland  
 11, Route de Luxembourg  
 L-5230 Sandweiler

Keeper of Technical File-  
 Dépositaire du fichier technique - Verwalter der  
 technischen Dokumente - Houder technische  
 gegevens - Depositario del file tecnico -  
 Depositario del archivo técnico - Ansvarlig for  
 teknisk data - Ansvarlig for teknisk  
 dokumentasjon - Innehavare of teknisk fil -

Barry Adamski  
 Product Team Leader  
 Chef d'équipe de produit - Produktteam-Leiter -  
 Teamleider Product - Capo team produttivo - Jefe del  
 equipo del producto - Produktansvarlig - Produktansvarlig  
 - Produktledare  
 Ariens Company

Signature/  
 Unterschrift/  
 Handtekening  
 /Firma/  
 Underskrift/  
 Unterskrift  
 Handlekening  
 /Underskrift/  
 Allekirjoitus



Gerald Johnson  
 Manager of Product Conformance/Position/Qualité/Functie/Qualifica/  
 Puesto/Stilling/Titel/Arvo  
 Ariens Company

9/24/02  
 Date/Datum/  
 Data/Fecha/  
 Dato/Päiväys



**WARNING**



The engine exhaust from this product  
 contains chemicals known to the State  
 of California to cause cancer, birth  
 defects or other reproductive harm.

# CONTROLS AND FEATURES

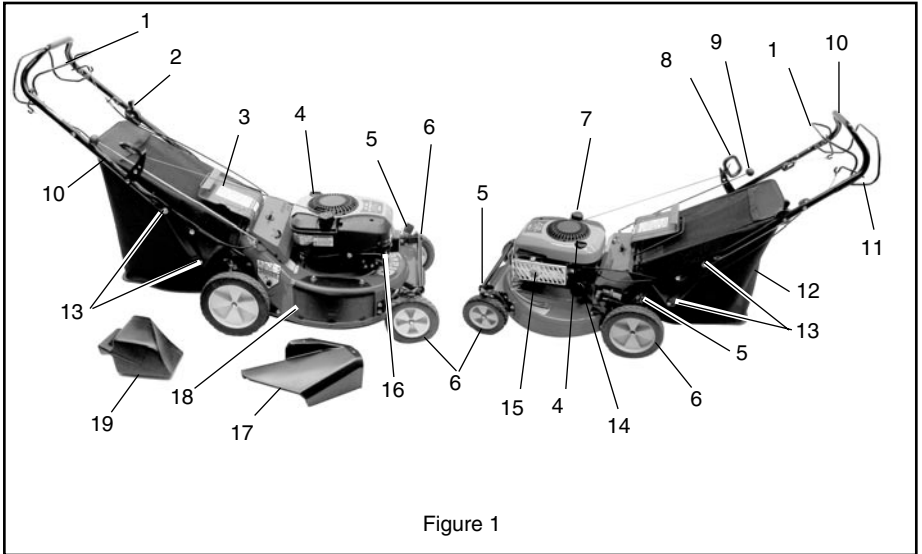


Figure 1

## ENGLISH

1. Engine/Blade Control
2. Throttle Control
3. Rear Door
4. Oil Fill/Dipstick
5. Cutting Height Levers  
(2 Rear Wheel Adjusters,  
2 Front Wheel Adjusters)
6. Tires
7. Fuel Tank and Cap
8. Recoil Starter Handle
9. Speed Control Rod
10. Adjustable and Folding  
Handlebars
11. Wheel Drive Control
12. Grass Bag
13. Handlebar Adjustment  
Holes
14. Oil Filter
15. Muffler and Muffler Guard
16. Primer
17. Side Discharge Deflector
18. Side Discharge Cover
19. Mulch Plug

## FRANÇAIS

1. Commande moteur/lame
2. Commande des gaz
3. Trappe arrière
4. Tube de remplissage en  
huile et jauge
5. Leviers de hauteur de  
coupe (réglage par  
les roues)
6. Pneus
7. Réservoir de carburant et  
bouchon
8. Poignée du démarreur  
manuel
9. Tige de command de  
vitesse
10. Guidon réglable et pliable
11. Commande de  
l'entraînement des roues
12. Sac à herbe
13. Trous de réglage du  
guidon
14. Filtre à huile
15. Silencieux et Garant du  
silencieux
16. Poire d'amorçage
17. Déflecteur latéral  
d'évacuation
18. Plaque d'évacuation  
latérale
19. Déflecteur à paille Mulch

## ESPAÑOL

1. Control del motor/cuchilla
2. Control del acelerado
3. Puerta trasera
4. Llenado de aceite y  
varilla medidora
5. Palancas de la altura de  
corte (ajustadores de la  
rueda)
6. Neumáticos
7. Tapa y depósito de  
combustible
8. Manilla de arranque de  
retroceso
9. Varilla de control de  
velocidad
10. Manillares ajustables y  
plegables
11. Control de la transmisión  
de la rueda
12. Bolsa de recolección del  
césped
13. Agujeros para el ajuste  
del manillar
14. Filtro del aceite
15. Silenciador y Protector  
del silenciador
16. Cebador
17. Deflector de la descarga  
lateral
18. Cubierta de la descarga  
lateral
19. Tapón Mulch

# TABLE OF CONTENTS

Controls and Features .....	4	Storage .....	19
Safety .....	6	Troubleshooting .....	19
Assembly .....	10	Service Parts .....	20
Operation .....	10	Accessories .....	20
Maintenance .....	14	Specifications .....	21
Service and Adjustments .....	16	Warranty .....	22

## INTRODUCTION

### THE MANUAL

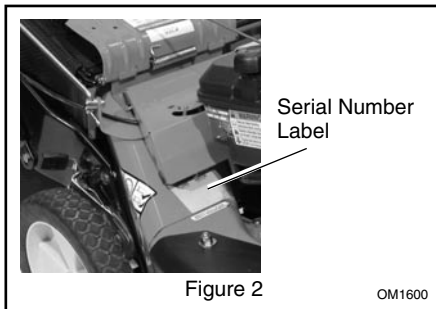
Before using the unit, carefully and completely read your manuals. The contents will give you an understanding of safety instructions and controls during normal operation and maintenance.

All reference to left, right, front, or rear are given from the operator's position, facing the direction of forward travel.

### SERVICE AND REPLACEMENT PARTS

When ordering replacement parts or making service inquiries, know the Model and Serial numbers of your unit and engine.

Numbers are located on the product registration form in the unit literature package. They are also printed on a serial number label, located on the frame of your unit (Figure 2).



- Record Unit Model and Serial numbers here

- Record Engine Model & Serial numbers here

### PRODUCT REGISTRATION

The Gravelly dealer must register the product at the time of purchase. Registering the product will help the company process warranty claims or contact you with the latest service information. All claims meeting requirements during the limited warranty period will be honored, whether or not the product registration card is returned. Keep a proof of purchase if you do not register your unit.

**Customer Note:** If the Dealer does not register your product, please fill out, sign and return the product registration card to Gravelly.

### UNAUTHORIZED REPLACEMENT PARTS

Use only Gravelly replacement parts. Replacing any part on this vehicle with anything other than a Gravelly authorized replacement part may adversely affect the performance, durability, or safety of this unit and may void the warranty. Gravelly disclaims liability for any claims or damages, whether warranty, property damage, personal injury or death arising out of the use of unauthorized replacement parts. To locate your nearest Gravelly Dealer, call 1-800-472-8359 or go to [www.gravelly.com](http://www.gravelly.com) on the internet.

### DEALER DELIVERY

Dealer should:

1. Check that all assembly and adjustments have been properly completed.
2. Fill out Original Purchaser Registration Card and return the card to Gravelly.
3. Explain Gravelly Limited Warranty Policy.
4. Explain recommended lubrication and maintenance. Advise customer on adjustments. Remind customer to change oil in 4 cycle engine crankcase after first five (5) hours of operation.

5. Instruct customer on controls and operation of unit. Discuss and emphasize the Safety Rules. Give customer Owner/Operator, Parts, and Engine manuals. Advise customer to thoroughly read and understand them.

## DISCLAIMER

Gravely reserves the right to discontinue, make changes to, and add improvements upon its products at any time without public notice or obligation. The descriptions and specifications contained in this manual were in effect at printing. Equipment described within this manual may be optional. Some illustrations may not apply to your unit.

## SAFETY



**WARNING:** This cutting machine is capable of amputating hands and feet and throwing objects. Failure to observe the safety instructions in the manuals and on decals could result in serious injury or death.

Slopes are a major factor related to slip and fall accidents. Operation on all slopes requires extra caution.

Tragic accidents can occur if the operator is not alert to the presence of children. Never assume that children will remain where you last saw them.

Gasoline is extremely flammable and the vapors are explosive, handle with care.

Stop unit and engine and allow moving parts to stop before leaving operator's position.



**WARNING: POTENTIALLY HAZARDOUS SITUATION!** If not avoided, **COULD RESULT** in death or serious injury.



**CAUTION: POTENTIALLY HAZARDOUS SITUATION!** If not avoided, **MAY RESULT** in minor or moderate injury. It may also be used to alert against unsafe practices.

## NOTATIONS

**NOTE:** General reference information for proper operation and maintenance practices.

**IMPORTANT:** Specific procedures or information required to prevent damage to unit or attachment.

## PRACTICES AND LAWS

Practice usual and customary safe working precautions, for the benefit of yourself and others. Understand and follow all safety messages. Be alert to unsafe conditions and the possibility of minor, moderate, or serious injury or death. Learn applicable rules and laws in your area.

## REQUIRED OPERATOR TRAINING

Original purchaser of this unit was instructed by the seller on safe and proper operation. If anyone other than the original purchaser will use the unit, **ALWAYS** provide this manual and any needed safety training before operation.

## SAFETY ALERTS



Look for these symbols to point out important safety precautions. They mean:



**Attention!**

**Personal Safety Is Involved!  
Become Alert!**

**Obey The Message!**

The safety alert symbols above and signal words below are used on decals and in this manual.

Read and understand all safety messages.



**DANGER: IMMINENTLY HAZARDOUS SITUATION!** If not avoided, **WILL RESULT** in death or serious injury.

# SAFETY DECALS AND LOCATIONS

ALWAYS replace missing or damaged safety decals. Refer to Figure 3 for safety decal locations.



Figure 3

OM1710

## 1. DANGER! TO AVOID SERIOUS INJURY OR DEATH



OL1801

Read the operator's manual.



OL3030

Keep safety devices (guards, shields, switches, etc.) in place and working.

- Go across slopes, not up and down.
- Look down and behind before and while moving backward.



OL4370

Keep children and others away from unit while operating.



OL0910

Never direct discharge toward other people. Thrown objects can cause injury.



OL4540

Do not operate mower unless guards are in operating position or entire bagger is attached.

## 2. DANGER!

### KEEP HANDS AND FEET AWAY

Do not operate mower unless guards are in operating position or bagger is attached.

## 3. CAUTION!

- Bag is subject to wear and deterioration.
- Check bag frequently, replace when necessary.
- Use original bag to comply with safety specifications.

## SAFETY RULES

If unit is to be used by someone other than original purchaser; loaned, rented or sold, ALWAYS provide this manual and any needed safety training before operation.

Read, understand and follow all safety practices in Owner/Operator Manual before beginning assembly. Failure to follow instructions could result in personal injury and/or damage to unit.

ALWAYS disconnect wire from spark plug before assembly. Unintentional engine start up can cause death or serious injury.

Complete a walk around inspection of unit and work area to understand:

- work area
- your unit
- all safety decals.

Clear work area of stones, sticks, wire and foreign objects which might be picked up and thrown. Tall grass can hide obstacles.

Know the work area. Stay alert for holes, rocks, rough terrain and hidden hazards.

Keep away from drop-offs, ditches, or embankments that could cause operator to lose footing or control of unit.

ALWAYS be aware of traffic when operating along streets or curbs.

Keep work area clear of all persons, children and pets.

Keep children out of the work area and under the watchful care of a responsible adult.

ALWAYS operate unit when there is good visibility and light.

DO NOT mow wet grass.

ALWAYS be sure of your footing. Keep a firm hold on handlebar. Walk, NEVER run.

Engine/blade control feature on mower stops engine and blade within 3 seconds whenever operator releases handlebar. Check this feature frequently. If feature fails to operate, disconnect spark plug wire and adjust or have it repaired before using unit.

Only trained adults may operate unit. Training includes actual operation.

NEVER operate after or during the use of medication, drugs or alcohol. Unit requires complete and unimpaired attention.

NEVER allow children to use mower.

ALWAYS keep hands and feet away from rotating parts. Rotating parts can cut off body parts.

ALWAYS keep hands away from pinch points.

Fumes from engine exhaust can cause death or serious injury. DO NOT run engine in an enclosed area.

ALWAYS protect eyes, face, and body with adequate safety gear and protective clothes. Wear sturdy footwear, gloves and safety goggles or safety glasses with side shields while operating mower.

NEVER operate mower barefoot or when wearing open sandals or canvas shoes.

NEVER wear loose clothes, long hair or jewelry that may get caught in rotating parts.

ALWAYS stand clear of discharge when operating unit.

NEVER direct discharge toward bystanders.

Operator is responsible for bystander safety.

DO NOT touch hot parts. Allow parts to cool.

Keep safety devices or guards in place and functioning properly. NEVER modify or remove safety devices.

Read, understand, and follow all instructions in the manual and on the machine before starting. Understand:

- How to operate all controls
- The functions of all controls
- How to STOP in an emergency.

DO NOT attempt to start your engine until you know what the controls do and how they work.

DO NOT tilt mower when starting it.

Keep feet away when starting engine.

DO NOT start the engine or operate mower without side discharge cover or side discharge deflector installed.

Take all possible precautions when leaving unit unattended.

ALWAYS shut off engine and disconnect spark plug wire to prevent accidental starting or unauthorized use.

Stop engine if anyone enters the work area.

NEVER attempt to make any adjustments to unit while engine is running (except where specifically recommended). Stop engine and wait for all moving parts to stop before servicing.

DO NOT make cutting height wheel adjustments while the engine is running.

If you strike an object, or if equipment vibrates abnormally, stop engine at once, wait for moving parts to stop and disconnect wire from spark plug. Repair any damage before restarting unit.

Keep rear door closed when engine is running unless the grass bag is in place.

Stop engine before removing and emptying grass bag.

When mulching or bagging, ALWAYS install discharge cover.



When side discharging, ALWAYS install side discharge deflector.

ALWAYS shut off engine, allow blade to stop and disconnect spark plug wire before clearing clogs or cleaning unit.

Check grass bag for wear, damage, and/or deterioration. Replace only with Gravelly original equipment replacement parts for safety.

To reduce fire hazard and overheating, keep equipment free of grass, leaves, debris or excessive lubricants.

Use extra care when approaching blind corners, shrubs, trees, or other objects which may obscure vision.

DO NOT mow at too fast a rate. DO NOT change engine governor setting or over-speed the engine.

Do not operate mower on gravel or loose material such as sand. Stop mower when crossing drives, walks, or roads to prevent damage or injury from thrown objects.

DO NOT pull mower backwards unless absolutely necessary. Look down and back, especially for small children, before and while moving backwards.

Releasing wheel drive control must stop mower's forward movement. If this feature fails to operate, disconnect spark plug wire and repair before using unit.

Wheel drive must be disengaged when starting engine.

DO NOT operate on steep slopes.

NEVER leave unit unattended on a slope.

Chock wheels if parking on a slope.

Mow across the face of slopes, never up and down. Be especially cautious when changing direction on slopes.

This product is equipped with an internal combustion engine. DO NOT use on or near any unimproved, forest or brush covered land unless the exhaust system is equipped with a spark arrestor meeting applicable local, state or federal laws. A spark arrestor, if used, must be maintained in effective working order by the operator. See your Gravelly Dealer or engine manufacturer's service center.

Fuel is highly flammable and its vapors can explode. ONLY use approved fuel containers.

- NO Smoking!
- NO Sparks!
- NO Flames!
- Allow engine to cool before filling fuel tank.

Never fill containers inside a vehicle or on a truck or trailer bed with a plastic liner. Always place containers on the ground away from your vehicle before filling.

When practical, remove gas-powered equipment from the truck or trailer and refuel it on the ground. If this is not possible, then refuel such equipment on a trailer with a portable container, rather than from a gasoline dispenser nozzle.

Keep the nozzle in contact with the rim of the fuel tank or container opening at all times until fueling is complete. Do not use a nozzle lock-open device.

Check fuel supply before starting engine.

DO NOT fill gasoline tank indoors, when engine is running, or while engine is hot.

Allow engine to cool several minutes before removing fuel cap.

DO NOT overfill. Allow about 1/4" (6 mm) of tank space for fuel expansion.

Replace gasoline tank cap securely and clean any spilled fuel before starting engine.

If fuel is spilled on clothing, change clothing immediately.

NEVER store fuel inside where there is an open flame, such as a water heater.

ALWAYS drain fuel outdoors away from ignition sources.

Avoid Electric Shock. DO NOT disconnect wire from spark plug while engine is running.

Accidental engine start up can cause death or serious injury. Except where specifically recommended, ALWAYS stop engine, wait for moving parts to stop, allow parts to cool and disconnect spark plug wire before inspecting, servicing, adjusting or repairing unit.

Keep mower free of grass, leaves, or other debris build-up.

Keep equipment in good condition.

Maintain or replace safety and instruction labels, as necessary.

Follow engine manufacturer's safety instruction when servicing engine.

Check all hardware at regular intervals, especially blade attachment bolts. Keep all hardware properly tightened.

Before tipping unit, remove fuel.

Ensure all wheel blocks, jack stands and tie downs will support unit during maintenance.

Replace worn-out mufflers immediately.

Continued use could result in fire or explosion.

Sharp edges can cut or amputate fingers or a hand. Wrap blade or wear sturdy gloves to service.

Use only replacement parts designed for your unit. See your Gravely Dealer.

Allow engine to cool before storing in any enclosure.

ALWAYS clean unit before extended storage. See engine manual for proper storage.

DO NOT store unit inside a building with fuel in the fuel tank where any ignition sources are present.

Use only accessories which have been approved by Gravely and are properly installed.

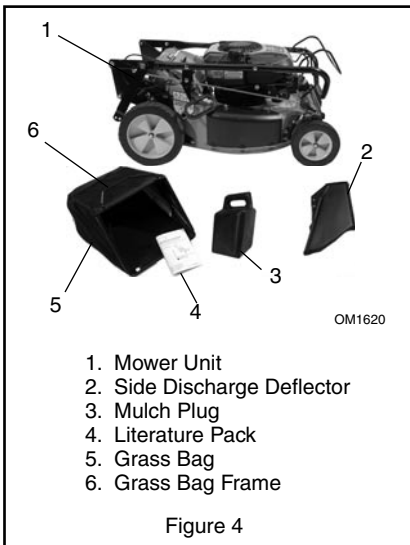
Check attachments frequently and replace worn or damaged components with manufacturer's recommended parts.

## ASSEMBLY



**CAUTION: AVOID INJURY.** Read and understand the entire *Safety* section before proceeding.

### CARTON CONTENTS



1. Mower Unit
2. Side Discharge Deflector
3. Mulch Plug
4. Literature Pack
5. Grass Bag
6. Grass Bag Frame

Figure 4

### ASSEMBLY

1. Unfold and adjust handlebar. See *Handlebar Height* on page 16.

**NOTE:** DO NOT bend the speed control rod (if equipped) when unfolding the handlebars.

2. Fill engine crankcase with oil. See engine manual.
3. Assemble grass bag onto bag frame.
4. Set-up mower for bagging, side discharge or mulching. See *Mower Set-Up* on page 12.
5. Fill fuel tank. See *Filling Fuel Tank* on page 12.
6. Connect spark plug wire.
7. Check the engine/blade control feature. Try starting the engine *without* the engine/blade control held against the handlebar. Engine must not start. If engine starts, stop engine and adjust or repair engine/blade control. See *Engine/Blade Control Adjustment* on page 17.

## OPERATION

### CONTROLS AND FEATURES

See Figure 1 for locations.



**WARNING:** Improper operation can lead to injury. Learn what the controls do and how they work. Thoroughly read and understand entire Operator Manual.



**CAUTION: AVOID INJURY.** Read and understand the entire *Safety* section before proceeding.

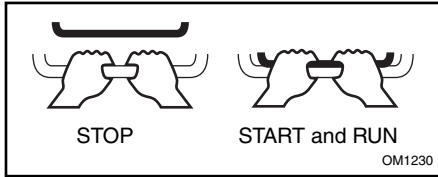
### Engine/Blade Control



**CAUTION:** Check function of Engine/Blade Control regularly. Improper function of control could cause injury.

The engine/blade control must be held against the handlebar to start the engine and blade.

Engine/blade control feature on mower stops engine and blade within 3 seconds whenever operator releases handlebar. Check this feature frequently. If feature fails to operate, disconnect spark plug wire and adjust or have it repaired before using unit.



**Handlebar**

Adjust handlebar to a safe and comfortable height. See *Handlebar Height* on page 16.

**Recoil Starter Handle**

When pulled, handle will turn engine over.

**CUTTING HEIGHT ADJUSTMENT**

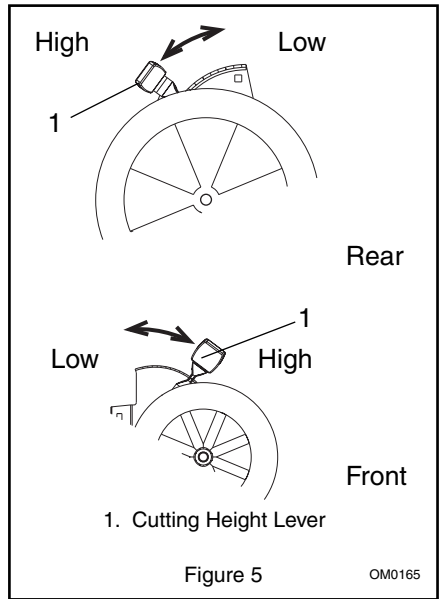
**⚠ DANGER:** Avoid injury from rotating blade. ALWAYS shut off engine before adjusting cutting height.

**⚠ CAUTION:** Both rear wheels must be set at same height or traction drive may not work properly.

Cutting Height Settings Chart	
Notch	Cut grass length
LOW	1" (25 mm)
2	1-3/8" (35 mm)
3	1-3/4" (45 mm)
4	2-1/4" (57 mm)
5	2-3/4" (70 mm)
HIGH	3-1/4" (83 mm)

To change cutting height, move cutting height levers one notch at a time on each wheel to set desired height (Figure 5).

**NOTE:** Each wheel on mower must be set at the same height for a level cut.

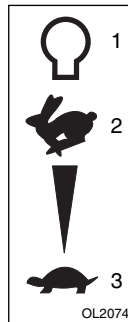


**CONTROLS**

**Primer Bulb**

Push the primer bulb in to add fuel for easier engine start.

**Throttle**



The throttle controls the engine speed and chokes engine for starting.

1. Start - Push lever all the way forward.
2. Fast.
3. Slow - Pull lever all the way rearward.

## Speed Control

Speed control rod changes the mower's forward travel speeds.



High –Push rod all the way forward.

Low –Pull rod all the way rearward.

Start mowing slowly and use speed control rod to gradually increase speed to a safe, comfortable walking pace.

Speed control rod should hold the desired speed. If not, adjust speed control bell crank. (See *Speed Control Bell Crank* on page 19.)

## Wheel Drive Control



**CAUTION:** Unit will move forward at engine start if wheel drive control is engaged. ALWAYS release wheel drive control before starting unit.

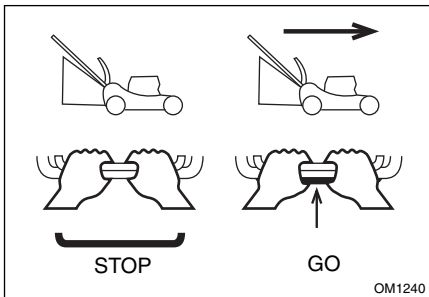
**NOTE:** Engine must be running for wheel drive to propel unit.

To drive forward:

Slowly squeeze and hold wheel drive control against handlebar.

To stop:

Release wheel drive control.



## FILLING FUEL TANK

To add fuel to fuel tank:

1. Put unit in open or well-ventilated area.
2. Stop engine and allow to cool.
3. Clean fuel cap and surrounding area.
4. Remove cap.

**IMPORTANT:** See engine manual for correct type and grade of fuel.

5. Fill fuel tank. (see *Specifications* on page 21 for tank capacity.)
6. Replace fuel cap and tighten.
7. ALWAYS clean any spilled fuel.

## MOWER SET-UP



**CAUTION:** DO NOT operate mower unless either side discharge cover or side discharge deflector is installed. Thrown objects may cause damage or injury. Never operate unit with rear door open unless grass bag is in place.



**CAUTION:** If clog or obstruction prevents grass flow, release engine/blade control and disconnect spark plug wire before attempting to clear away any clogs.

## To Bag



**CAUTION:** Check grass bag frequently for wear or deterioration. Replace worn or damaged bag with Gravelly original equipment replacement bag only.

1. Shut off unit.
2. Install side discharge cover.
3. Lift rear door.
4. Hook grass bag frame on mounting flange.
5. Lower rear door.

If necessary, lift rear of grass bag frame to lock in position.

There should be no openings between bag and mounting surface after installing bag. If necessary, clear debris from bag mounting surface.

## Grass Bag Removal

1. Shut off unit.
2. Lift rear door.
3. Use handle to lift bag off mounting flange.
4. Close rear door.

**NOTE:** Empty grass bag and clean mower pan after each use. DO NOT allow grass clumps or a grass coating to collect inside of grass bag or mower pan. Remove grass bag from mower, wash bag with hose and allow to dry.

## To Side Discharge

1. Shut off unit.
2. Install Mulchmaster plug (see below).
3. Remove grass bag.

4. Remove side discharge cover and keep hardware.
5. Attach side discharge deflector to studs on mower. Make sure deflector covers discharge opening.
6. Secure with cover hardware from step 4.

### To Mulch

1. Shut off unit.
2. Remove grass bag and install side discharge cover.
3. Open rear door and insert Mulchmaster plug with the beveled face to the left.
4. Close rear door.

**NOTE:** Rear door must close flush.

## EMERGENCY STOPPING

To stop the mower in an emergency:

1. Release the engine/blade control.
2. Release the wheel drive control.
3. Allow all moving parts to stop before leaving operator's position.

## STARTING AND SHUT OFF



**WARNING:** Improper operation can lead to injury. Learn what the controls do and how they work. Thoroughly read and understand entire Operator Manual.

See Figure 1 for all Controls and Features.

**NOTE:** Start engine on a level surface that is free of debris.

### Manual Start

1. Check each item under Before Each Use in the *Maintenance Schedule* on page 14.
2. Push primer bulb 2 or 3 times for a cold engine.

**NOTE:** It is unnecessary to prime a warm engine.

3. For engines with a throttle, place throttle control in the choke position. Once the engine has started, place throttle in the high speed detent.
4. With engine/blade control held against the handlebar, grasp starter handle and pull rope slowly until it pulls harder. This is the compression stroke. Let rope rewind slowly.
5. Pull rope with rapid continuous full arm stroke to start engine. Allow rope to rewind slowly.

**IMPORTANT:** DO NOT let starter handle snap against bracket.

6. Repeat steps 4 and 5 until engine starts. (If engine does not start, see *Troubleshooting* on page 19.)

### Shut Off

1. Release wheel drive control and allow unit to stop completely.
2. Release engine/blade control.

### Mowing Tips

Cut grass when it is dry.

Keep mower blades sharp.

Do not set cutting height too low. For tall grass, mow twice.

Do not mow too fast.

Mow with engine at full throttle. Discharge clippings into areas already cut.

Vary cutting pattern with each mowing.

**NOTE:** To prevent dirt and grass from collecting on mower pan, avoid operating over bare ground with only patches of grass.

### Mulching Tips

For best mulching performance, cut no more than 1 inch (2.54 cm) of grass per cutting.

# MAINTENANCE



**CAUTION: AVOID INJURY.** Read and understand the entire *Safety* section before proceeding.

Gravely Dealers will provide any service, parts or adjustments which may be required to keep your unit operating at peak efficiency. Should engine require service, contact a Gravely dealer or an authorized engine manufacturer's service center.

## MAINTENANCE SCHEDULE

**NOTE:** Some working conditions (heavy loads, high ambient temperatures, dusty conditions, or airborne debris) may require more frequent service.

See engine manual for further maintenance and troubleshooting information.

### MAINTENANCE SCHEDULE

Service Performed	Before Each Use	25 ⌚	100 ⌚
Check Engine/Blade Control	•		
Check Wheel Drive Control	•		
Check Grass Bag	•		
Clean Unit	•		
Check Engine Oil	•		
Check Mower Blade	•		
Check Drive Belt	•		
Check Fasteners	•		
Check Air Cleaner		•	
Change Engine Oil		•*	
General Lubrication		•	
Replace Oil Filter			•
Check Spark Plug			•
Check Engine Cooling			•
Check Muffler			•

\* After first 5 Hours of operation

## CHECK ENGINE/BLADE CONTROL

The engine and blade must stop within 3 seconds after releasing the control. If the engine and blade continue to run, adjust or repair control immediately. See *Engine/Blade Control Adjustment* on page 17.

## CHECK WHEEL DRIVE CONTROL

The unit must stop quickly and completely when the control is released. Adjust or repair if necessary. See *Wheel Drive Control Adjustment* on page 18.

## CHECK GRASS BAG

Check grass bag frequently for wear or deterioration. Replace worn or damaged bag with Gravely original equipment replacement bag only.

## CLEAN UNIT

Before each use clean unit, muffler and engine surfaces of debris, oil or fuel spills to ensure proper cooling and prevent fires.

## CHECK ENGINE OIL

**IMPORTANT:** Maintain proper oil level at all times or engine damage will result.

Check the level of the engine crankcase oil before each use.

Make sure engine is level when checking oil. See engine manual for instructions.

## CHECK MOWER BLADE

See Figure 6.

Check blade mounting: blade must be secure and bolt torqued to 37.5 - 50 lbf-ft (51-68 N•m) (bolt should fully compress lock washer).

Check blade for nicks and dull cutting edges. Sharpen if necessary.

Check blade for rounded or broken ends, thinned metal or other damage. Replace if necessary.

**NOTE:** Blades should be sharpened and balanced professionally. Contact your Gravely Dealer.

To remove blade:

1. Stop engine, wait for all moving parts to stop, and disconnect spark plug wire.
2. Block blade to prevent rotation.
3. Remove bolt, lock washer, flat washer and blade from shaft.

To install blade:

1. Replace blade, flat washer, lock washer and bolt on shaft.
2. Torque bolt to 37.5 - 50 lbf-ft (51-68 N•m) (bolt should fully compress lock washer).
3. Connect spark plug wire.

## Sharpen the Mower Blades



**CAUTION:** DO NOT sharpen mower blades while on unit. An unbalanced mower blade will cause excessive vibration and eventual damage to unit. Check mower blade balance before reinstalling blades.

NEVER weld or straighten bent blades.

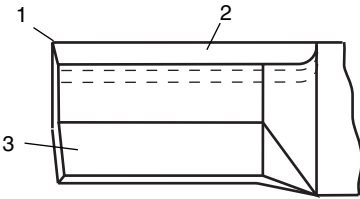
1. Remove mower blade from unit.

Discard mower blade if:

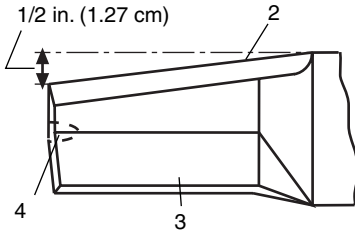
- More than 1/2 in. (1.27 cm) of metal is removed.
- Air lifts become eroded.
- Blade is bent or broken.

2. Sharpen mower blade by removing an equal amount of material from each end of mower blade. DO NOT change angle of cutting edge or round the corner of the mower blade.

DO NOT Sharpen to This Pattern



DISCARD if More Than  
1/2 in. (1.27 cm)



Sharpen to This Pattern

1. Square Corner
2. Cutting Edge
3. Air Lift
4. Air Lift Erosion

Figure 6

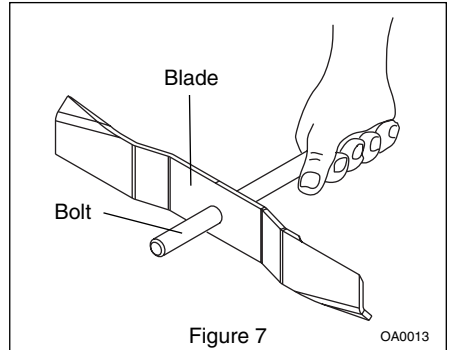
OT0792

3. Check mower blade balance.

Slide mower blade on an unthreaded bolt. A balanced blade should remain in a horizontal position. If either end of mower blade moves downward, sharpen the heavy end until blade is balanced (Figure 7).

4. Install mower blade on unit.

5. Tighten the bolts to a torque of 37.5 - 50 lbf-ft (51-68 N•m).



## CHECK DRIVE BELT

Check drive belt and replace if worn or damaged. See *Drive Belt Replacement* on page 17.

## CHECK FASTENERS

Check all fasteners for proper tightness. Pay special attention to blade hardware and all guards, shields and safety devices.

## CHECK AIR CLEANER

See engine manual for specific information.

## CHANGE ENGINE OIL

**IMPORTANT:** Change engine crankcase oil after first five (5) hours of operation. Then change oil after every 25 hours of operation.

Refer to engine manual for instructions and proper oil type.

**IMPORTANT:** Proper oil level must be maintained at all times or engine damage will result. DO NOT overfill. Be sure engine is level when adding oil.

## GENERAL LUBRICATION

**NOTE:** The LM21SC has lube fittings on drive mount for use in commercial applications. Lubricate as needed.

## REPLACE OIL FILTER

Replace oil filter every 100 hours of use or every season.

1. Change engine oil.
2. Clean around filter.
3. Turn filter counterclockwise to remove.
4. Apply a thin coat of oil onto seal of new filter.
5. Install new filter and hand tighten securely.

## CHECK SPARK PLUG

Spark plug should be replaced every 100 hours of operation or each year.

**NOTE:** Loose spark plug wire terminals can cause sparking. Replace terminal if damaged.

## CHECK ENGINE COOLING



**WARNING:** HOT SURFACES can cause death or serious injury. DO NOT TOUCH parts which are hot from operation. ALWAYS allow parts to cool.

To prevent overheating, air must circulate freely around the cooling fins, cylinder head and block.

Every 100 hours of operation or yearly (more often if conditions require) remove blower housing and clean cooling fins. See engine manual for instructions.

## CHECK MUFFLER

Check muffler for debris, cracks, wear, or other damage.



**CAUTION:** Replace worn-out mufflers immediately. Continued use could result in fire or explosion.

# SERVICE AND ADJUSTMENTS



**CAUTION:** AVOID INJURY. Read and understand the entire *Safety* section before proceeding.

## SERVICE POSITION

Put unit into service position for easy access to underneath the deck.



**CAUTION:** Avoid fuel spills. Follow steps below to help prevent fuel spills. If fuel leaks into air cleaner, replace air cleaner. ALWAYS clean up any spilled fuel.

1. Place unit on a flat, level surface.
2. Disconnect spark plug wire.
3. Remove fuel cap, place a piece of plastic bag over the opening and tighten cap securely.
4. Tip unit *onto left side*, opposite the discharge opening.  
Make sure unit is secure and will not tip over.

**IMPORTANT:** Remove plastic from fuel cap after unit is upright and service is complete.

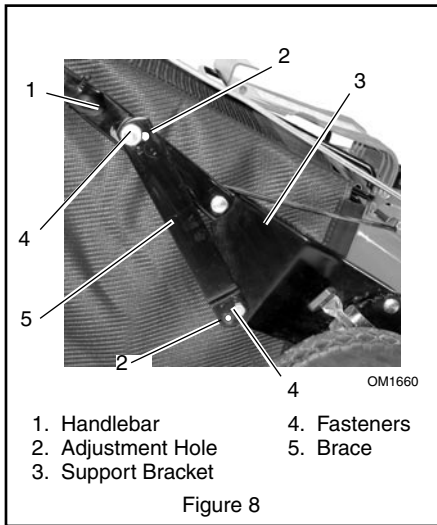
## HANDLEBAR HEIGHT

To adjust (Figure 8):

1. Use the fasteners to attach one of the holes at the top and one of the holes at the bottom.

**NOTE:** To fold handlebars flat for storage, pull the speed control rod (if equipped) all the way back, disconnect braces from support bracket, and fold handlebar forward. Do Not bend speed control rod.

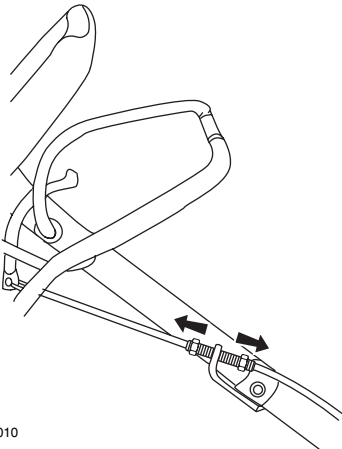




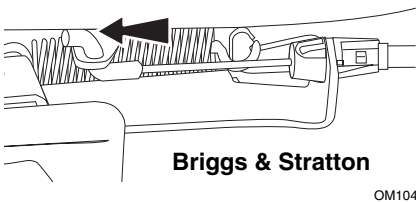
## ENGINE/BLADE CONTROL ADJUSTMENT

To adjust engine/blade control:

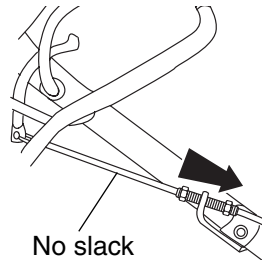
1. Loosen cable nuts away from bracket.



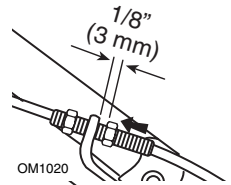
2. Squeeze z-bend bracket at engine end of cable toward front of unit and hold in place.



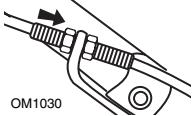
3. Pull cable down from bracket until there is no slack in cable.



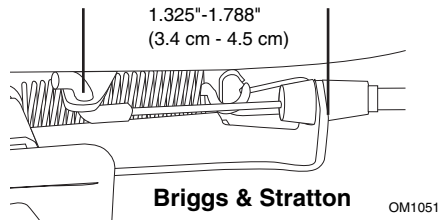
4. Tighten lower cable nut to 1/8" (3 mm) below bracket. Release z-bend bracket.



5. Tighten upper cable nut until bracket is secure between cable nuts.



6. Engage engine/blade control. Measure distance between middle of z-bend and cable bracket. Measurement should be as shown below.



7. If correct measurement cannot be set, contact your local dealer.

## DRIVE BELT REPLACEMENT

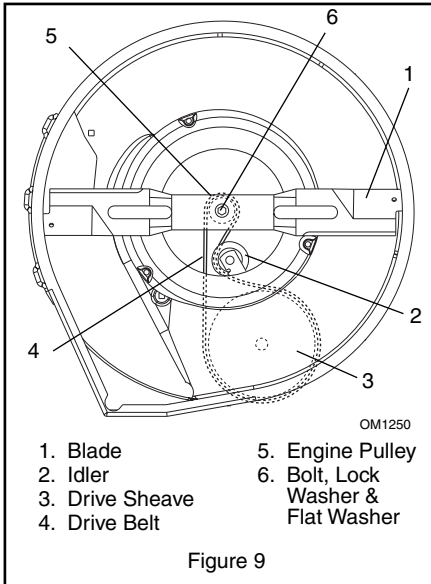
To remove drive belt:

1. Disconnect spark plug wire.
2. Set the right rear wheel to its lowest cutting height, and the left rear wheel to the third cutting height. This position provides clearance between friction disc and drive sheave.
3. Remove belt from the idler, then the drive sheave, and finally, the engine pulley (Figure 9).
4. Pull belt through opening under mower pan and over blade.

5. Make sure the idler pulley turns and the idler arm moves freely.
6. Reinstall drive belt in reverse order.

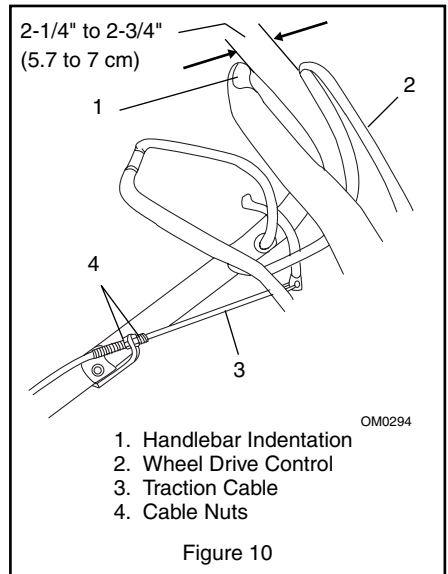
**IMPORTANT:** Be sure the belt seats in sheave and pulley grooves with the idler touching the back (flat) side of belt.

7. Adjust rear wheels to the same cutting height.



## WHEEL DRIVE CONTROL ADJUSTMENT

See Figure 10.



The wheel drive must start to engage when wheel drive control is between 2-1/4" and 2-3/4" (5.7 and 7 cm) away from the handlebar.

To check:

1. With engine off, select a slow speed.
2. Slowly pull unit backwards.
3. Slowly squeeze wheel drive control until wheels stop.
4. Measure the distance between the wheel drive control and handlebar at the handlebar indentation.

To adjust:

1. If the measurement is more than 2-3/4" (7 cm), loosen the lower cable nut and then tighten the upper cable nut against the adjuster bracket.
2. If the measurement is less than 2-1/4" (5.7 cm), loosen the upper cable nut and then tighten the lower nut against the adjuster bracket.
3. Recheck measurement with the slowest and fastest speeds selected.
4. Repeat adjustment until wheel drive control is properly adjusted.

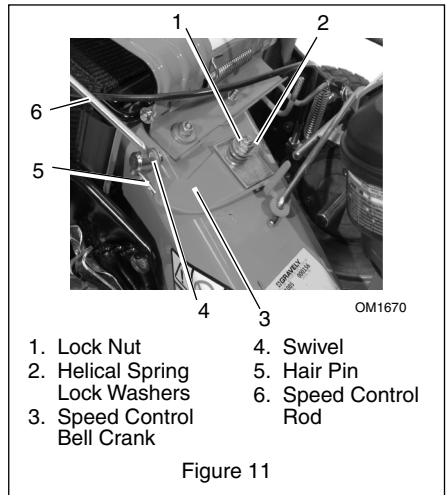
**IMPORTANT:** If there is not enough thread length for proper adjustment, contact your Dealer for repairs before operating unit.

## SPEED CONTROL BELL CRANK

The speed control bell crank holds the speed control rod in position after a speed has been set. The spring washers may become loose with normal wear. If the speed control rod does not stay firmly in position, adjust the speed control bell crank. See Figure 11.

To adjust:

1. Remove cover, fully compress the helical spring lock washers with lock nut and then back lock nut off, one quarter turn.
2. If the speed control rod is still too loose, tighten lock nut by small increments until it holds its position. Tightening the lock nut too much will not allow the speed control rod to move at all.
3. Align notch in left hand side of cover with bolt and secure with knob.



1. Lock Nut
2. Helical Spring Lock Washers
3. Speed Control Bell Crank
4. Swivel
5. Hair Pin
6. Speed Control Rod

Figure 11

## STORAGE



**CAUTION: AVOID INJURY.** Read and understand the entire *Safety* section before proceeding.

**IMPORTANT:** NEVER spray unit with high pressure water or store unit outdoors. Store mower in a cool, dry, protected location.

### Cleaning

Clean unit thoroughly with mild soap and low pressure water. Brush off dirt and debris from all surfaces. Touch-up all scratched surfaces to prevent rust. Matching touch-up paint is available from your Gravely Dealer. Do not use abrasives, solvents, or harsh cleaners.

### Inspection

Inspect mower and repair or replace worn or damaged parts to avoid delays when beginning use again.

Regularly check all hardware and keep fasteners tight. Know unit is in safe working condition.

### Grass Bag

Wash out grass bag and allow to dry before storage. Grass bag may be stored in position on mower.

### Engine

When storing unit for extended periods of time, remove all fuel from tank and carburetor (run dry). Refer to engine manual.

## TROUBLESHOOTING

PROBLEM	PROBABLE CAUSE	CORRECTION
<b>Engine will not start</b>	<ol style="list-style-type: none"> <li>1. Fuel tank empty or low.</li> <li>2. Spark plug wire loose or off.</li> <li>3. Engine/Blade control cable detached, broken, or not adjusted properly.</li> </ol>	<ol style="list-style-type: none"> <li>1. Check fuel level. Fill tank if necessary.</li> <li>2. Check connection.</li> <li>3. Check cable. Adjust, repair or replace as necessary.</li> </ol>
<b>Engine is difficult to restart</b>	<ol style="list-style-type: none"> <li>1. Mower clogged with grass.</li> </ol>	<ol style="list-style-type: none"> <li>1. Clear clippings from under mower. (Allow the mower to clear clippings before shutting off engine.)</li> </ol>

<b>PROBLEM</b>	<b>PROBABLE CAUSE</b>	<b>CORRECTION</b>
<b>Cut is poor</b>	<ol style="list-style-type: none"> <li>1. Worn blade.</li> <li>2. Too much grass is being removed per cutting.</li> <li>3. Grass is too wet.</li> <li>4. Mowing speed is too fast.</li> </ol>	<ol style="list-style-type: none"> <li>1. Check blade (See <i>Maintenance</i>).</li> <li>2. Raise cutting height.</li> <li>3. Allow grass to dry.</li> <li>4. Mow slower.</li> </ol>
<b>Grass does not disperse evenly</b>	<ol style="list-style-type: none"> <li>1. Too much grass is being removed per cutting.</li> <li>2. Grass is too wet.</li> <li>3. Mowing speed is too fast.</li> </ol>	<ol style="list-style-type: none"> <li>1. Raise cutting height.</li> <li>2. Allow grass to dry.</li> <li>3. Mow slower.</li> </ol>
<b>Mower does not bag clippings</b>	<ol style="list-style-type: none"> <li>1. Grass bag is overfilled.</li> <li>2. Mulching plug is installed.</li> </ol>	<ol style="list-style-type: none"> <li>1. Empty grass bag and do not allow it to overfill.</li> <li>2. Remove mulching plug.</li> </ol>
<b>Wheel drive does not engage.</b>	<ol style="list-style-type: none"> <li>1. Wheel drive control not engaged.</li> <li>2. Drive belt out of position.</li> <li>3. Drive belt worn or damaged.</li> <li>4. Rear wheels in different cutting heights.</li> <li>5. Idler spring detached.</li> <li>6. Wheel drive control cable detached or broken.</li> <li>7. Friction disc not adjusted properly or damaged.</li> <li>8. Bearings damaged.</li> <li>9. Debris in gear set.</li> </ol>	<ol style="list-style-type: none"> <li>1. Engage wheel drive control.</li> <li>2. Check drive belt. Adjust as necessary (See <i>Service and Adjustments</i>).</li> <li>3. Replace belt (See <i>Service and Adjustments</i>).</li> <li>4. Adjust rear wheels to same cutting height (See <i>Operation</i>).</li> <li>5. Attach idler spring to notch on idler arm. Contact your Dealer.</li> <li>6. Check wheel drive control cable. Adjust or replace as needed. See <i>Service and Adjustments</i>.</li> <li>7. Contact your Dealer.</li> <li>8. Contact your Dealer.</li> <li>9. Contact your Dealer.</li> </ol>

## SERVICE PARTS

Always use genuine Gravely parts to keep your mower running like new.

Mower Model	911530
Air Filter	21535600
Oil Filter	08266101
Spark Plug	21534100
Blade	01137000 (Standard) 01182400 (Tungsten)
Drive Belt	07217100
Friction Disc	03240700

## ACCESSORIES

See your authorized Gravely dealer to add these optional accessories.

71102400	Dethatcher
71102700	Mulchmaster Plug
71103000	Grass Bag
71103200	Rear Discharge Chute
71103500	Mulchmaster Mulching Kit
71103700	Leaf Shredder
71103900	Straight Axle Kit
71104100	Front Swivel Wheel Kit

## SPECIFICATIONS

Model Number	911530
Description	PRO21SCH
Length - in (cm)	61.5 (156)
Height - in (cm)	38 (96.5)
Width - in (cm)	23 (58.4)
Actual Weight - lbs (kg)	110 (49.9)
Cutting Width	21 (53.3)
Cutting Height - in. (cm)	6 Positions: 1.00-3.25 (2.5 - 8.3)
Engine, Briggs & Stratton 4 cycle	Intek Pro OHV
Model	122672
Trim	0211E1
Engine Power - HP (kW) @ Max. Governed RPM	4.37 (3.26)
Max Rotation Speed of Cutting Edge - RPM (min <sup>-1</sup> )	2900
Governed RPM	2800 +/- 100
Displacement Cu. In. (cc)	11.57 (190)
Cylinder Bore	Cast Iron Sleeve
Engine Oil Type	SAE 30
Crank Case Capacity - Oz. (Liter)	20 (0.59)
Oil System	Pressurized
Engine Oil Filter	Spin-on
Spark Plug Gap - in (mm)	0.020 (0.51)
Fuel Type	Unleaded
Fuel Tank Capacity - qt (Liter)	1.6 (1.5)
Primer Bulb	Standard
Throttle	Standard
Air Cleaner	Paper Element
Starting	Recoil
Differential	Standard
Variable Speeds - MPH (km/hr)	0-4 (0-6.4)
Mower Deck	14 Gauge - Stamped Steel
Front Wheel Dia - in (cm)	7.5 (19.1)
Rear Wheel Dia - in (cm)	10.5 (26.7)
Oper. Ear Sound Press. (L <sub>pa</sub> ) dB <sub>A</sub>	87
VIBRATION MEASURE (m /s <sup>2</sup> ) @ Operator hands	
X axis	2.6
Y axis	7.7
Z axis	2.7



## 2-Year Limited Warranty

Gravely Division of Ariens Company  
655 West Ryan Street  
P.O. Box 157  
Brillion, WI 54110-0157  
920-756-2141  
Fax 920-756-2407  
www.gravely.com

### GT and GLT Tractors, ZT Mower, PRO 21 Mower, String Trimmer, and Gravely at Home products

Gravely Division of Ariens Company (Gravely) warrants to the original purchaser that consumer products manufactured by Gravely will be free from defects in material and workmanship for a period of two (2) years after the date of purchase. Gravely will repair any defect in material or workmanship, and repair or replace any defective part, subject to the exceptions, exclusions, conditions and limitations set forth herein.

The two-year duration of this warranty applies only if the product is put to ordinary, reasonable, and usual personal, family, or household uses. If the product is put to any business, commercial, or industrial use, such as, but not limited to, commercial landscaping, mowing or snow removal services, or golf course or park maintenance, or agricultural or farmstead use, then the duration of this warranty is ninety (90) days after the date of purchase, or one (1) year after the date of purchase for the Pro 21 Mower. If any product is rented or leased, then the duration of this warranty is ninety (90) days after date of purchase.

Genevly service parts and accessories not purchased with the product covered by this warranty, but which are later purchased and used with that product, are warranted to be free from defects in material and workmanship for a period of ninety (90) days after date of purchase, and Gravely will repair or replace any such part or accessory free of charge, except for labor, during that period.

#### This warranty is subject to the following exceptions, conditions, and limitations:

##### This warranty is valid only if the following conditions are met:

- The purchaser must perform maintenance and minor adjustments explained in the owner's manual.
- The purchaser must promptly notify Gravely or an authorized Gravely service representative of the need for warranty service.
- Returning the product registration card to Gravely will enable the company to contact the registrant with repair or replacement part information.

##### This warranty is subject to the following limitations:

- The purchaser must transport the product to and from the place of warranty repair.
- Warranty service must be performed by an authorized Gravely service representative. (To find an authorized Gravely service representative, contact Gravely at the website, number or address above.)
- Batteries are warranted for a period of twelve (12) months after date of purchase, on a prorated basis. For the first ninety (90) days of the warranty period, a defective battery will be replaced without charge. If the applicable warranty period is more than ninety (90) days, Gravely will cover the prorated cost of any defective battery, for up to twelve (12) months after date of purchase.

##### The following items are not covered by this warranty:

- Engines and engine accessories are covered only by the warranty made by the engine manufacturer, and are not covered by this warranty.
- If the product is equipped with a Peerless gearbox and/or transmission, the gearbox and/or transmission are covered only by the warranty made by Peerless, and are not covered by this warranty.
- If the product is equipped with a Hydro-Gear transmission and/or Hydro-Gear drive components, the Hydro-Gear transmission and/or drive components are covered only by the warranty made by Hydro-Gear, and are not covered by this warranty.
- Service work performed by, and parts installed by, someone other than an authorized Gravely service representative are not covered by this warranty.
- Parts that are not genuine Gravely service parts are not covered by this warranty.
- Shoes, runners, scraper blades, shear bolts, mower blades, mower vanes, trimmer line, headlights, light bulbs are not covered by this warranty.
- Any defect which is the result of misuse, alteration, improper assembly, improper adjustment, neglect, or accident is not covered by this warranty.
- Products which were not purchased in the United States, Puerto Rico, or Canada are not covered by this warranty. In all other countries, contact place of purchase.

#### LIMITATION OF REMEDY AND DAMAGES

Gravely's liability under this express warranty, and under any implied warranty that may exist, is limited to repair or replacement of any defective part. Gravely shall not be liable for incidental, special, or consequential damages (including lost profits). Some states do not allow the exclusion of incidental or consequential damages, so the above limitation or exclusion may not apply to you.

#### DISCLAIMER OF FURTHER WARRANTY

**Gravely makes no warranty, express or implied, other than what is expressly made in this warranty. If the law of your state provides that an implied warranty of merchantability, or an implied warranty of fitness for particular purpose, or any other implied warranty, applies to Gravely, then any such implied warranty is limited to the duration of this warranty. Some states do not allow limitations on how long an implied warranty lasts, so the above limitation may not apply to you.**

**This warranty gives you specific legal rights, and you may also have other rights which vary from state to state.**

Form: GCLW2-122002



GRAVELY<sup>™</sup>  
A Division of Ariens Company  
655 West Ryan Street  
P.O. Box 157  
Brillion, WI 54110-0157  
920-756-2141  
Fax 920-756-2407  
[www.gravelly.com](http://www.gravelly.com)

## Free Manuals Download Website

<http://myh66.com>

<http://usermanuals.us>

<http://www.somanuals.com>

<http://www.4manuals.cc>

<http://www.manual-lib.com>

<http://www.404manual.com>

<http://www.luxmanual.com>

<http://aubethermostatmanual.com>

Golf course search by state

<http://golfingnear.com>

Email search by domain

<http://emailbydomain.com>

Auto manuals search

<http://auto.somanuals.com>

TV manuals search

<http://tv.somanuals.com>