



ZT

Parts Manual

Models

915146 – ZT 34
915148 – ZT 42
915150 – ZT 50
915168 – ZT 34 CARB
915170 – ZT 42 CARB



Gasoline containing up to 10% ethanol (E10) or up to 10% MTBE (methyl tertiary butyl ether) is acceptable for use in this machine. The use of any gasoline exceeding 10% ethanol (E10) or 10% MTBE will void the product warranty.

Il est possible d'utiliser de l'essence contenant jusqu'à 10% d'éthanol (E10) ou 10% de MTBE (éther méthyl-tertiobutylique) sur cette machine. L'utilisation d'une essence contenant plus de 10% d'éthanol (E10) ou de 10% de MTBE annulent la garantie.

En esta máquina puede utilizarse gasolina con hasta un 10% de etanol (E10) o hasta un 10% de MTBE (éter de metil butil terciario). El uso de cualquier otro tipo de gasolina con un porcentaje superior al 10% de etanol (E10) o al 10% de MTBE invalidará la garantía del producto.

04043300A 10/11
Printed in USA

THE MANUAL

Before you operate your unit, carefully and completely read manuals supplied with the unit. The contents will provide you with an understanding of safety instructions and controls during normal operation and maintenance.

For your safety and the safety of others always read, understand, and follow all DANGER, WARNING, and CAUTION messages found in manuals and on safety decals.

Hardware descriptions are given in decimals.

| Decimals to Fractions | | | |
|-----------------------|------|------|-------|
| .063 | 1/16 | .563 | 9/16 |
| .125 | 1/8 | .625 | 5/8 |
| .188 | 3/16 | .688 | 11/16 |
| .250 | 1/4 | .750 | 3/4 |
| .313 | 5/16 | .813 | 13/16 |
| .375 | 3/8 | .875 | 7/8 |
| .438 | 7/16 | .938 | 15/16 |
| .500 | 1/2 | 1.00 | 1 |

SERVICE AND REPLACEMENT PARTS

When ordering replacement parts or making service inquiries, know the Model and Serial numbers of your unit and engine.

Numbers are located on the product registration card in the unit literature package. They are printed on a serial number label, located on the frame of your unit.

- Record Unit Model and Serial numbers here:

- Record Engine Model and Serial numbers here:

UNAUTHORIZED REPLACEMENT PARTS

Use only Gravelly replacement parts. The replacement of any part on this vehicle with anything other than a Gravelly authorized replacement part may adversely affect the performance, durability, or safety of this unit and may void the warranty. Gravelly disclaims liability for any claims or damages, whether warranty, property damage, personal injury or death arising out of the use of unauthorized replacement parts.

PRODUCT REGISTRATION

The Gravelly dealer must register the product at the time of purchase. Registering the product will help the company process warranty claims or contact you with the latest service information. All claims meeting requirements during the limited warranty period will be honored, whether or not the product registration card is returned. Keep a proof of purchase if you do not register your unit.

Customer Note: If Dealer does not register your product, please fill out, sign and return the product registration card to Gravelly or go to www.gravelly.com.

YOUR SATISFACTION IS IMPORTANT

Questions? Please follow these helpful steps:

1. Refer to the manuals supplied with your unit.
They will guide you through safe and proper operation and maintenance.
They contain specifications on your unit.
If your questions are not answered in these manuals, go to step number two.
2. Contact Your Dealer.
Our dealers will be happy to supply any service or advice required to keep your unit operating at peak efficiency.
A factory trained staff is available to support your equipment needs. They stock genuine Gravelly parts and lubricants manufactured with the same precision and skill as the original.
If your questions are not resolved by the support staff, ask for the manager or owner.
When contacting your Dealer supply your model and serial numbers.

TO SPEED PARTS ORDERING:

1. Know the model and serial numbers of your unit.
2. Know the part number required.
3. Know the quantity required.
4. Know the part description.

MODELS

Domestic

Model 915146 (ZT 34)

Briggs & Stratton with 34" Mower
Serial No. 000101 and up

Model 915148 (ZT 42)

Kohler with 42" Mower
Serial No. 000101 and up

Model 915150 (ZT 50)

Kohler with 50" Mower
Serial No. 000101 and up

Model 915168 (ZT 34 CARB LVE)

Briggs & Stratton with 34" Mower
Serial No. 000101 and up

Model 915170 (ZT 42 CARB LVE)

Kohler with 42" Mower
Serial No. 000101 and up

TABLE OF CONTENTS

DECALS

Decals 4

MAIN FRAME AND TRANSAXLES

Frame, Hood, Fenders, Casters and Tires. 6

Seat and Seat Support. 10

Transaxle, Dump Valves and Rear Wheels 12

OPERATOR CONTROLS

Parking Brake. 14

Steering Controls 16

FUEL TANKS AND ENGINE

Engine, Exhaust, Belts and Idlers 18

Fuel Tank 20

ELECTRICAL SYSTEM

Continuity Diagram. 21

Electrical System 22

Wiring Diagram 24

MOWER DECKS

Mower Deck Lift 26

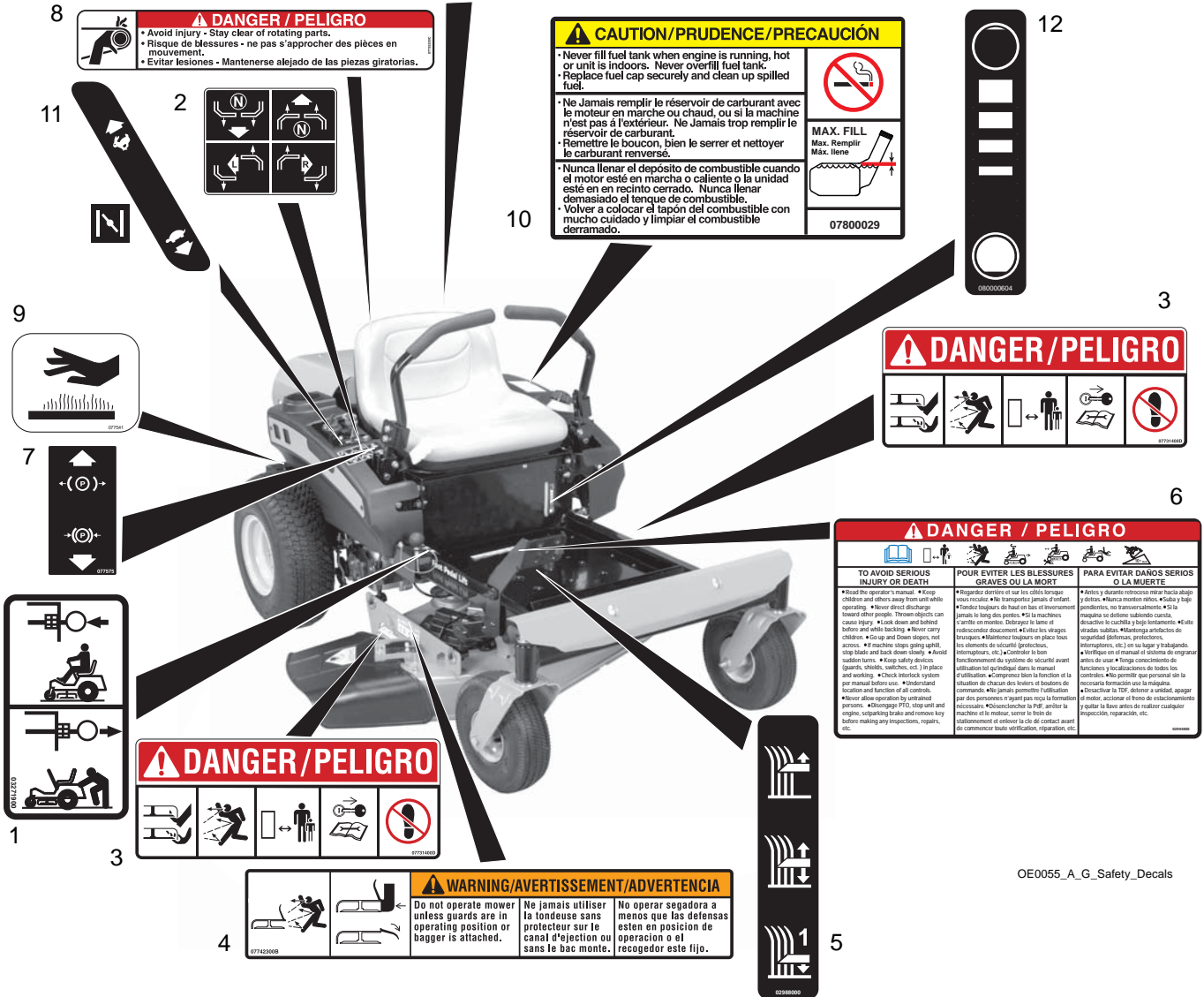
Mower Deck, Belt and Idlers 28

Belt Covers and Blades 32

DECALS – SAFETY

Model 915146, 148, 150, 168, 170

| ⚠ CAUTION | ⚠ PRUDENCE | ⚠ PRECAUCIÓN |
|---|--|---|
| <ul style="list-style-type: none"> Maximum torque weight: 30 lbs. Maximum trailer weight: 300 lbs. Do not use hitch with bagger attached. Do not park on steep hills or slopes. Do not use with any ground engaging equipment. | <ul style="list-style-type: none"> Poids maximum du timon: 30 livres. Poids maximum de la remorque: 300 livres. Ne pas utiliser l'attelage lorsque l'ensacheuse est posée. Ne pas utiliser sur les pentes abruptes. Ne pas stationner en pente quand la remorque est attelée. Ne pas utiliser avec un outil s'enfonçant dans le sol. | <ul style="list-style-type: none"> Peso máximo de la lengüeta: 30 lbs. Peso máximo del remolque: 300 lbs. No usar el enganche con la embosadora acoplada. No usar en colinas o pendientes empinadas. No estacionarse en colinas cuando el remolque está acoplado. No usar con equipo de manipulación del suelo. |



OE0055_A_G_Safety_Decals

| Item | Part No. | Qty. | Description |
|------|----------|------|---|
| 1 | 03271900 | 2 | Decal, Transmission Disconnect |
| 2 | 07757600 | 1 | Decal, Instructional Steering |
| 3 | 07731400 | 2 | Decal, Mower Pan Head Danger |
| 4 | 07742300 | 1 | Decal, Warning |
| 5 | 02988000 | 1 | Decal, Cut Height |
| 6 | 02994800 | 1 | Decal, Bilingual Danger |
| 7 | 07757500 | 1 | Decal, Parking Brake Lever |
| 8 | 07735200 | 1 | Decal, Danger |
| 9 | 07754100 | 1 | Decal, Hot Surface |
| 10 | 07800029 | 1 | Decal, Fuel Warning |
| 11 | 05301400 | 1 | Decal, Throttle Control |
| 12 | 08000604 | 1 | Decal, Fuel Level |
| 13 | 05305000 | 1 | Decal, Trailer Hitch (915148, 150, 170) |

DECALS – STYLE

Model 915146, 148, 150, 168, 170

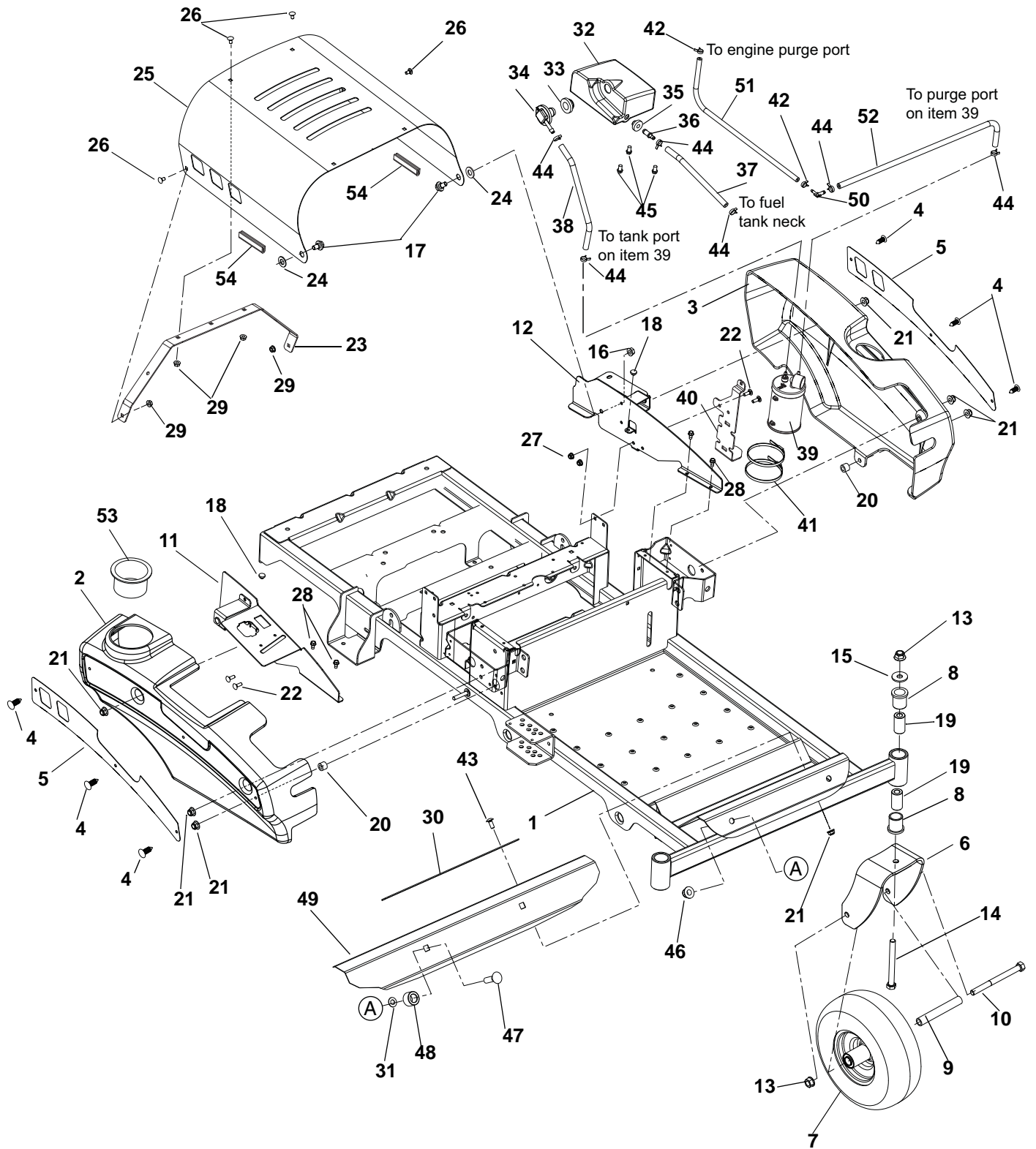


Decal_style_A_G

| Item | Part No. | Qty. | Description |
|------|----------|------|--------------------------------|
| 1 | 05239900 | 2 | Decal, 9.5" Gravely |
| 2 | 07800101 | 1 | Decal, ZT 34 (915146, 168) |
| | 07800210 | 1 | Decal, ZT 42 (915148, 170) |
| | 07800211 | 1 | Decal, ZT 50 (915150) |
| 3 | 08000526 | 1 | Decal, Gravely Heritage, Large |
| 4 | 05239800 | 1 | Decal, 6.5" Gravely |

FRAME, HOOD, FENDERS, CASTERS AND TIRES

Model 915168, 170



PE1200_A_G_HVZFrame

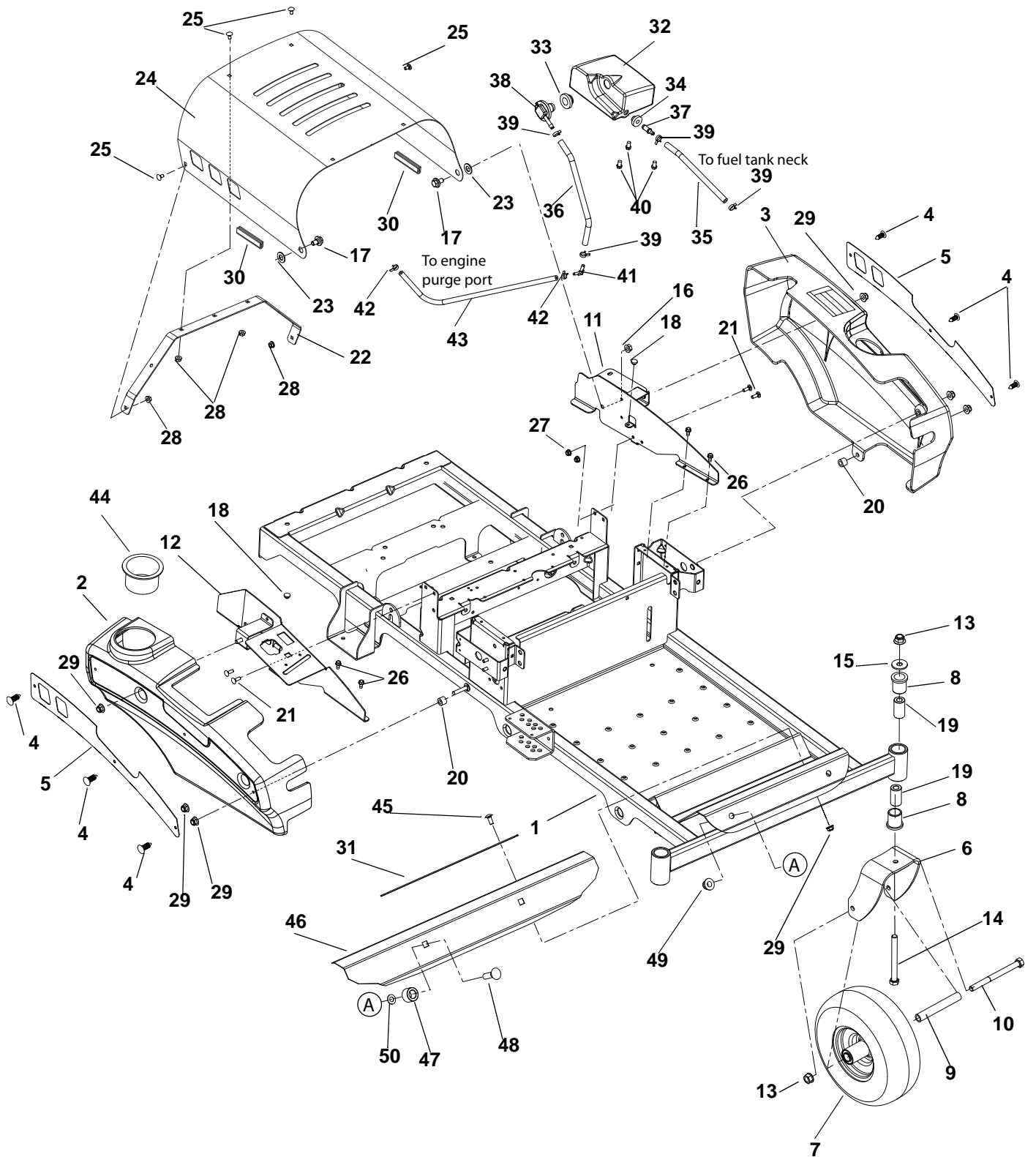
FRAME, HOOD, FENDERS, CASTERS AND TIRES

Model 915168, 170

| Item | Part No. | Qty. | Description |
|------|----------|-------|---|
| 1 | 03896851 | 1 | Weldment, Frame |
| 2 | 03768600 | 1 | Fender, Right Hand |
| 3 | 03768700 | 1 | Fender, Left Hand |
| 4 | 07500125 | 6 | Rivet, Nylon |
| 5 | 03769053 | 2 | Plate, Fender |
| 6 | 03368553 | 2 | Fork, Caster |
| 7 | 07100801 | 2 | Wheel/Tire Assembly, 11.0 x 4.0 x 5.0 |
| 8 | 05500934 | 4 | Bushing, Flange 1.00 x 1.25 x 1.50 x 1.50 |
| 9 | 00278500 | 2 | Spacer, Wheel |
| 10 | 05964400 | 2 | Bolt, Hex .50-13 x 6.50 |
| 11 | 04194051 | 1 | Weldment, Fender Mount Right Hand |
| 12 | 04240751 | 1 | Weldment, Fender Mount Left Hand |
| 13 | 06543600 | 4 | Nut, Locking, Top, Flange .50-13 |
| 14 | 05962200 | 2 | Bolt, Hex .50-13 x 5.00 |
| 15 | 06436400 | 2 | Washer, Flat Steel .511 x 1.441 x .125 |
| 16 | 06542000 | 4 | Nut, Locking, Top, Flange .38-16 |
| 17 | 07056700 | 2 | Bolt, Shoulder .375-16 x .135 |
| 18 | 07503100 | 2 | Bumper Grommet .125 x .250 Diameter |
| 19 | 00363100 | 4 | Spacer, Caster |
| 20 | 08553700 | 2 | Bushing, Sleeve .391 x .688 x .52 |
| 21 | 06545400 | 8 | Nut, .31-18 Nyloc Flange |
| 22 | 06219900 | 4 | Bolt, Round Head Square Neck .25-20 x .75 |
| 23 | 04085753 | 1 | Hood Brace |
| 24 | 06443300 | 2 | Washer, Flat, Nylon .52 x 1.00 x .08 |
| 25 | 04277453 | 1 | Hood, Zoom |
| 26 | 06220600 | 5 | Bolt, Round Head Square Neck .25-20 x .50 |
| 27 | 06500012 | 4 | Nut, .25-20 Nyloc Flange |
| 28 | 07412000 | 4 | Screw, Tapping .25-20 x .50 Hex Washer Head Thread |
| 29 | 06543500 | 5 | Nut, Locking Top Flange .25-20 |
| 30 | 03833800 | 2 | Grip, Adhesive (1" x 16" BLK) |
| 31 | 06500705 | 2 | Nut, Push .50 |
| 32 | 04215900 | 1 | Tank, ZT/Waw Fuel Exp. |
| 33 | 04082700 | 1 | Grommet, Remote Vent Nitrile |
| 34 | 04246000 | 1 | Vent, Roll-Over (.25" ID Hose) |
| 35 | 07511400 | 1 | Bushing, Flange .375 x 1.062 x .625 R |
| 36 | 04182300 | 1 | Fitting, Straight Fuel |
| 37 | 03278100 | 7" | Hose, .25 Low-Perm Bulk Gas |
| 38 | 03278100 | 10" | Hose, .25 Low-Perm Bulk Gas |
| 39 | 04082500 | 1 | Carbon Canister, 300CC |
| 40 | 04086551 | 1 | Bracket, Mount, Canister BBZ |
| 41 | 04102900 | 2 | Plastic Tie Strap Large |
| 42 | 04097700 | 2 | Clamp, Hose Spring .188 |
| 43 | 06215700 | 2 | Bolt, Round Head Square Neck .31-18 x .75 |
| 44 | 03278800 | 6 | Clamp, Fuel Line |
| 45 | 07049500 | 3 | Bolt, Serrated Hex Flange Washer Head .312-18 x .50 |
| 46 | 06500010 | 2 | Nut, Locking Nylon Flange .50-13 |
| 47 | 06224800 | 2 | Bolt, Round Head Square Neck .50-13 x 1.75 |
| 48 | 04192901 | 2 | Tube, Upper Control Pivot |
| 49 | 04188353 | 1 | Foot Rest |
| 50 | 04097000 | 1 | Fitting, 3/16 x 1/4 90 Deg Vac |
| 51 | 03375900 | 7" | Hose, .188 Low Perm Bulk (915168) |
| | 03375900 | 11" | Hose, .188 Low Perm Bulk (915170) |
| 52 | 03278100 | 27" | Hose, .25 Low Perm Bulk Gas (915168) |
| | | 30.5" | Hose, .25 Low Perm Bulk Gas (915170) |
| 53 | 04196270 | 1 | Cupholder |
| 54 | 07500103 | 2 | Edging, Clutch Paddle-2.00" |

FRAME, HOOD, FENDERS, CASTERS AND TIRES

Model 915146, 148, 150



PE1210_A_G_HVZFrame

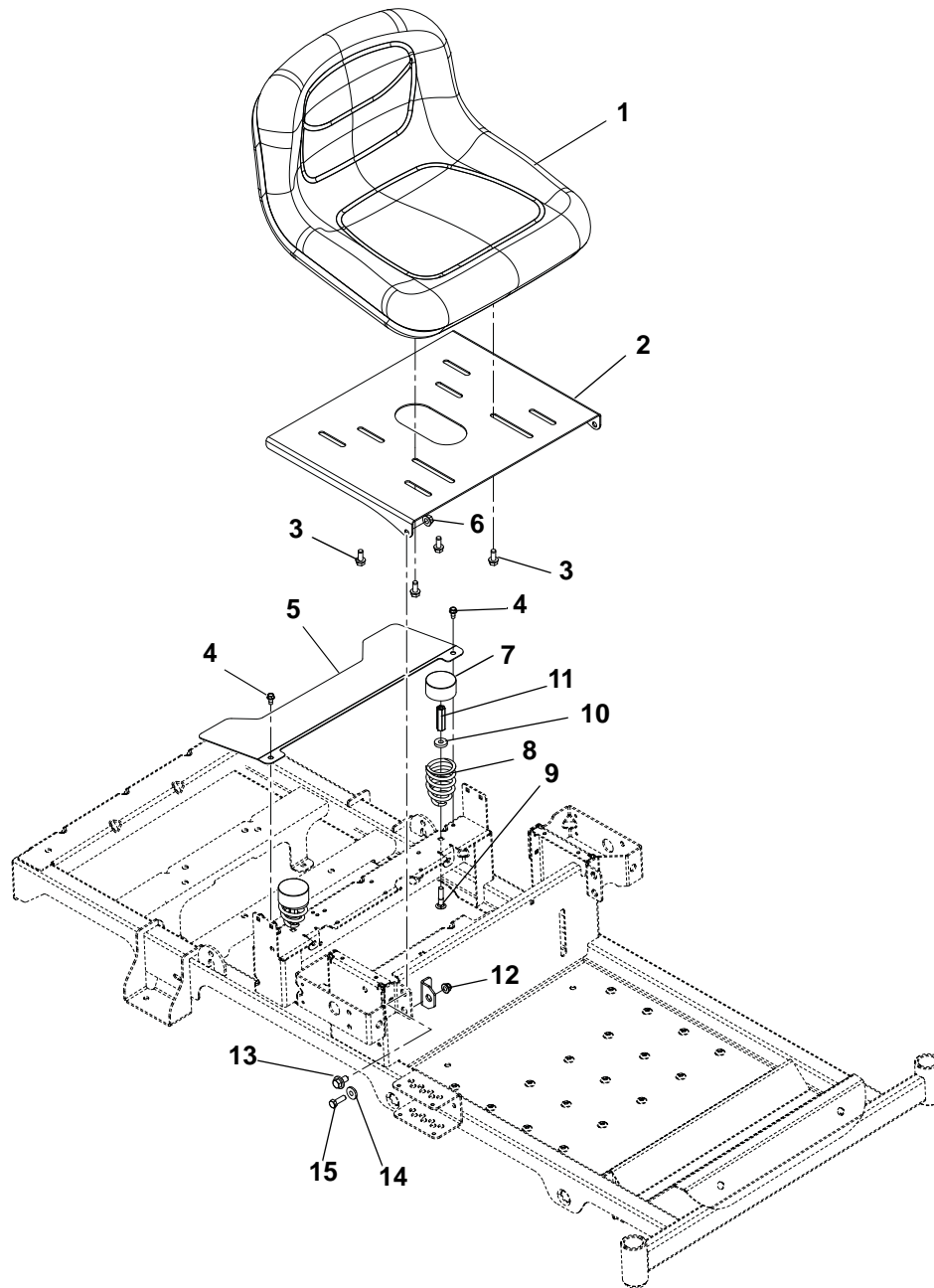
FRAME, HOOD, FENDERS, CASTERS AND TIRES

Model 915146, 148, 150

| Item | Part No. | Qty. | Description |
|------|----------|------|--|
| 1 | 04282751 | 1 | Weldment, Frame |
| 2 | 03768600 | 1 | Fender, Right Hand |
| 3 | 03768700 | 1 | Fender, Left Hand |
| 4 | 07500125 | 6 | Rivet, Nylon |
| 5 | 03769053 | 2 | Plate, Fender |
| 6 | 03368553 | 2 | Fork, Caster |
| 7 | 07100801 | 2 | Wheel/Tire Assembly, 11.0 x 4.0 x 5.0 |
| 8 | 05500934 | 4 | Bushing, Flange 1.00 x 1.25 x 1.50 x 1.50 |
| 9 | 00278500 | 2 | Spacer, Wheel |
| 10 | 05964400 | 2 | Bolt, Hex .50-13 x 6.50 |
| 11 | 04240751 | 1 | Weldment, Left Hand Fender Mount |
| 12 | 04194051 | 1 | Weldment, Right Hand Fender Mount |
| 13 | 06543600 | 4 | Nut, Locking, Top, Flange .50-13 |
| 14 | 05962200 | 2 | Bolt, Hex .50-13 x 5.00 |
| 15 | 06436400 | 2 | Washer, Flat Steel .511 x 1.441 x .125 |
| 16 | 06542000 | 4 | Nut, Locking, Top, Flange .38-16 |
| 17 | 07056700 | 2 | Bolt, Shoulder .375-16 x .135 |
| 18 | 07503100 | 2 | Bumper Grommet .125 x .250 Diameter |
| 19 | 00363100 | 4 | Spacer, Caster |
| 20 | 08553700 | 2 | Bushing, Sleeve .391 x .688 x .52 |
| 21 | 06219900 | 4 | Bolt, Round Head Square Neck .25-20 x .75 |
| 22 | 04085753 | 1 | Hood Brace |
| 23 | 06443300 | 2 | Washer, Flat, Nylon .52 x 1.00 x .08 |
| 24 | 04277453 | 1 | Hood, ZT |
| 25 | 03872253 | 4 | Bolt, Round Head Square Neck .25-20 x .50 |
| 26 | 06500012 | 4 | Nut, Locking Top Flange .25-20 |
| 27 | 07412000 | 4 | Screw, Tapping .25-20 x .50 Hex Washer Head Thread |
| 28 | 06543500 | 4 | Nut, Locking Top Flange .25-20 |
| 29 | 06545400 | 8 | Nut, Locking, Nylon, Flange .31-18 |
| 30 | 07500103 | 2 | Edging, Clutch Paddle - 2.00" |
| 31 | 03833800 | 2 | Grip, Adhesive (1" x 16" BLK) |
| 32 | 04215900 | 1 | Tank, ZT/Waw Fuel Exp. (Serial Number 2500 – up) |
| 33 | 04082700 | 1 | Grommet, Remote Vent Nitrile (Serial Number 2500 – up) |
| 34 | 07500206 | 1 | Bushing, Flange .375 x 1.062 x .625 (Serial Number 2500 – up) |
| 35 | 03278100 | 1 | Hose, .25 Low-Perm Bulk Gas (7 inches) (Serial Number 2500 – up) |
| 36 | 03278100 | 1 | Hose, .25 Low-Perm Bulk Gas (27 inches) (Serial Number 2500 – up) |
| 37 | 04182300 | 1 | Fitting, Straight Fuel (Serial Number 2500 – up) |
| 38 | 04246000 | 1 | Vent, Roll-Over (.25" ID Hose) (Serial Number 2500 – up) |
| 39 | 03278800 | 6 | Clamp, Hose Wire .490/.510 x .116 (Serial Number 2500 – up) |
| 40 | 07049500 | 3 | Bolt, Serrated Hex Flange Washer Head .312-18 x .50 (Serial Number 2500 – up) |
| 41 | 04097000 | 1 | Fitting, 3/16 x 1/4 90° Vac (Serial Number 2500 – up) |
| 42 | 04097700 | 2 | Clamp, Hose, Spring .188 (Serial Number 2500 – up) |
| 43 | 03375900 | 1 | Hose, .188 Low-Perm Bulk Gas (7 inches) (915146) (Serial Number 2500 – up) |
| | | 1 | Hose, .188 Low-Perm Bulk Gas (11 inches) (915148, 150) (Serial Number 2500 – up) |
| 44 | 04192700 | 1 | Cupholder, Snap-In, 3.75 OD |
| 45 | 06215700 | 2 | Bolt, Round Head Square Neck .31-18 x .75 |
| 46 | 04188353 | 1 | Foot Rest |
| 47 | 04192901 | 2 | Tube, Upper Control Pivot |
| 48 | 06224800 | 2 | Bolt, Round Head Square Neck .50-13 x 1.75 |
| 49 | 06500010 | 2 | Nut, Locking Nylon Flange .50-13 |
| 50 | 06500705 | 2 | Nut, Push .50 |

SEAT AND SEAT SUPPORT

Model 915146, 148, 150, 168, 170



PE1212

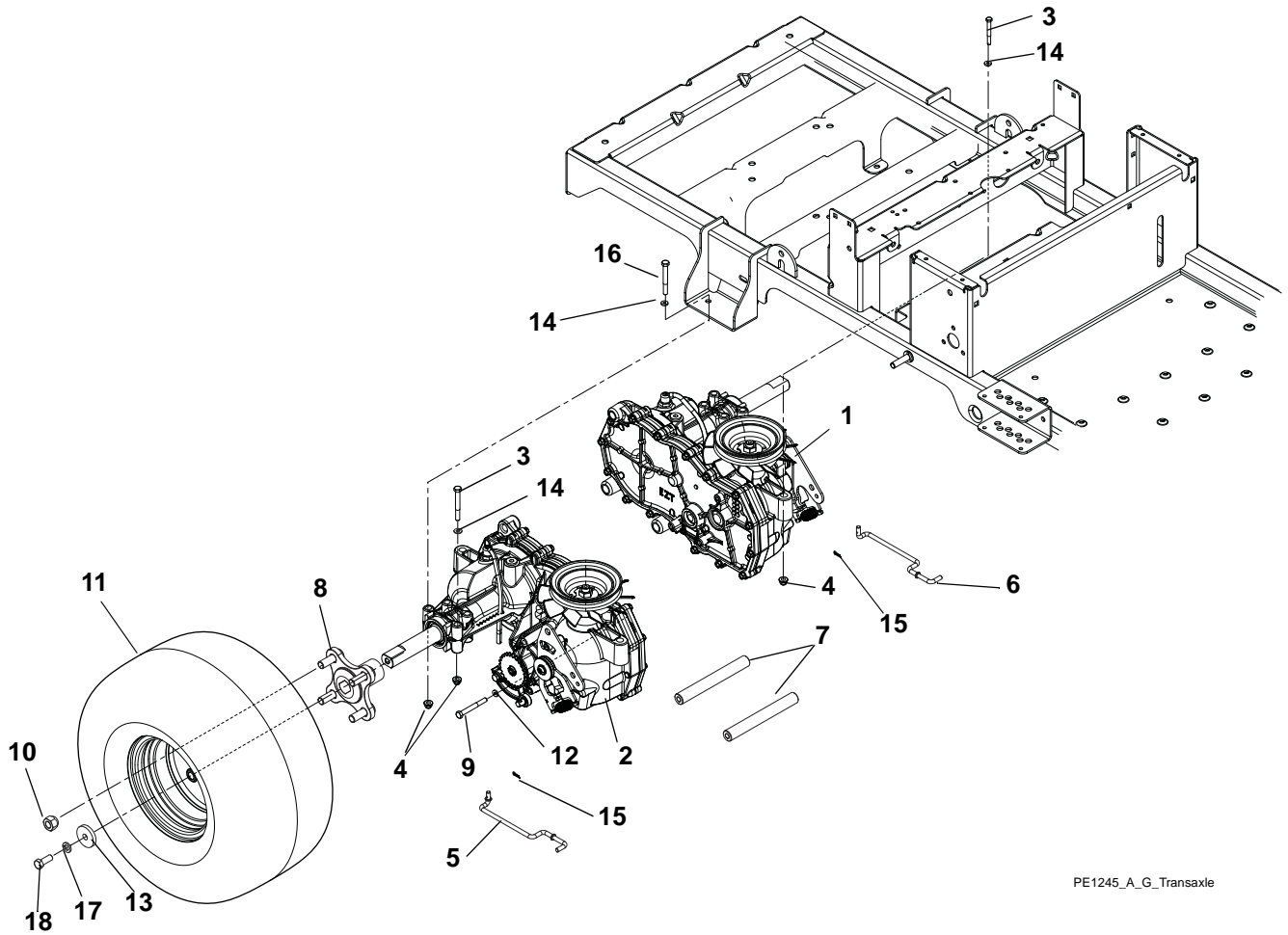
SEAT AND SEAT SUPPORT

Model 915146, 148, 150, 168, 170

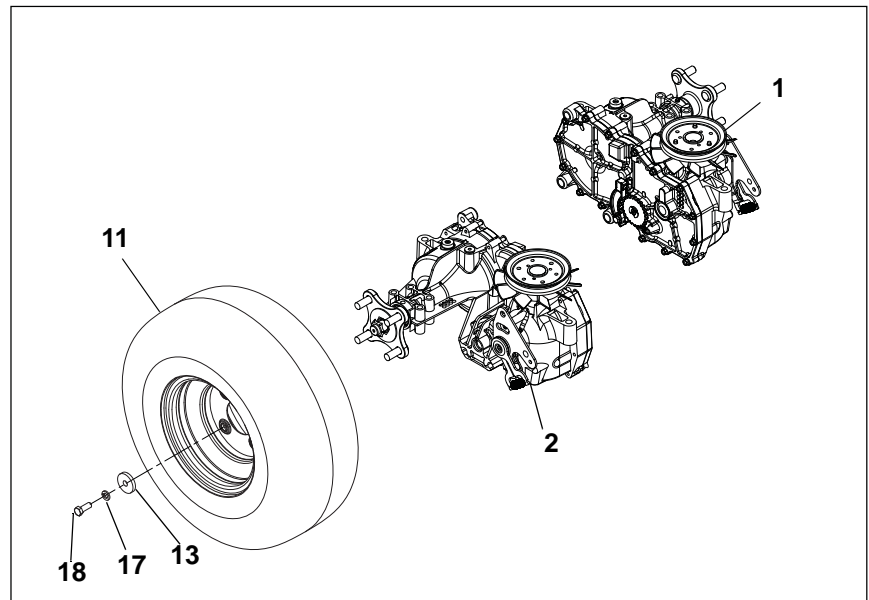
| Item | Part No. | Qty. | Description |
|------|----------|------|--|
| 1 | 03795800 | 1 | Seat, 13 in Grey (915146, 168) |
| | 04278000 | 1 | Seat, Milsco XB180 Grey (915148, 150, 170) |
| 2 | 03782051 | 1 | Seat Plate |
| 3 | 05900033 | 4 | Bolt, Hex 5/16-18 x 3/4 |
| 4 | 07412000 | 2 | Screw, Tapping .25-20 x .50 Hex Washer Head Thread |
| 5 | 03753351 | 1 | Guard, Fan |
| 6 | 06542000 | 2 | Nut, .38-16 Locking Top Flange |
| 7 | 00337700 | 2 | Hub Cap |
| 8 | 08300021 | 2 | Spring, Seat |
| 9 | 06212100 | 2 | Bolt, Round Head Square Neck .31-18 x 1.50 |
| 10 | 06439100 | 2 | Washer, Flat, Steel .328 x .87 x .179 |
| 11 | 06500015 | 2 | Nut, Coupling 5/16-18 x 1.75 |
| 12 | 06545400 | 2 | Nut, 5/16-18 Flange Nyloc |
| 13 | 07056700 | 2 | Bolt, Shoulder .375-16 x .135 |
| 14 | 01305900 | 2 | Bushing, Flange .325 x .499 x .26 x .88 |
| 15 | 05946900 | 2 | Bolt, Hex .31-18 x 1.00 |

TRANSAXLE, DUMP VALVES AND REAR WHEELS

Model 915146, 148, 150, 168, 170



PE1245_A_G_Transaxle



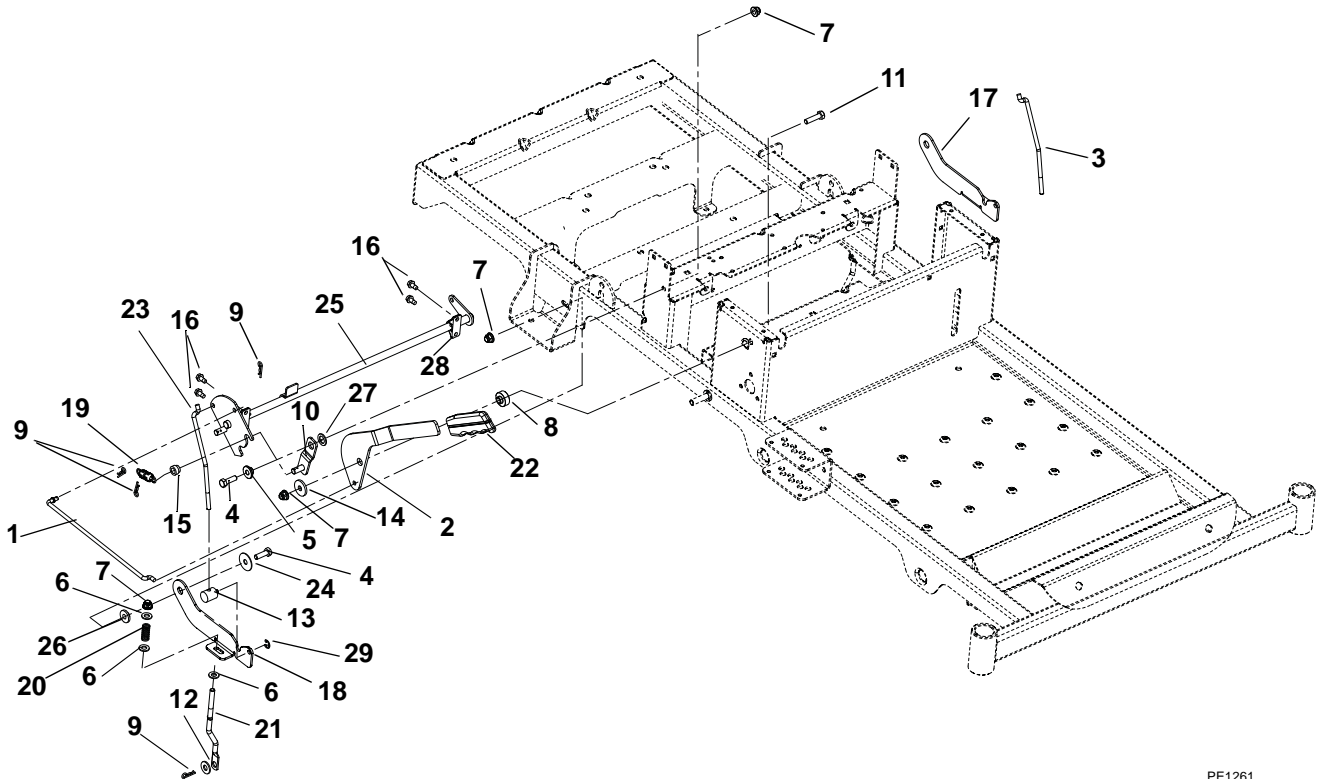
TRANSAXLE, DUMP VALVES AND REAR WHEELS

Model 915146, 148, 150, 168, 170

| Item | Part No. | Qty. | Description |
|------|----------|------|--|
| 1 | 03872300 | 1 | Transaxle, Left Hand EZT D-Shaft |
| 2 | 03872400 | 1 | Transaxle, Right Hand EZT D-Shaft |
| 3 | 05963700 | 4 | Bolt, Hex .31-18 x 2.25 |
| 4 | 06545400 | 8 | Nut 5/16-18 Flange Nyloc |
| 5 | 03762700 | 1 | Dump Valve, Right Hand |
| 6 | 03762800 | 1 | Dump Valve, Left Hand |
| 7 | 03762000 | 2 | Shaft, Cross Brace |
| 8 | 03958000 | 2 | Assembly, Wheel Hub (915148, 150, 170) |
| 9 | 05958400 | 4 | Bolt, Hex .38-16 x 2.50 |
| 10 | 06517600 | 8 | Nut, Wheel .50-20 13/16 (915148, 150, 170) |
| 11 | 07100809 | 2 | Tire Assembly 18 x 6.5-8 2 Pulley DSHAFT (915146, 168) |
| | 07100123 | 2 | Tire/Wheel Assembly, 18 x 8.5-8 Center (915148, 170) |
| | 07100233 | 2 | Tire/Wheel Assembly, 18 x 9.50-8 Offset (915150) |
| 12 | 06444000 | 4 | Washer, Flat Steel .406 x 1.00 x .188 |
| 13 | 06400006 | 2 | Washer, Flat Steel .406 x 1.50 x .245 |
| 14 | 06435700 | 8 | Washer, Flat, Steel .38 x .875 x .083 |
| 15 | 06701900 | 2 | Pin, Hair, Internal .06 x .18 x .77 |
| 16 | 05960600 | 4 | Bolt, Hex .31-18 x 2.75 |
| 17 | 06308800 | 2 | Washer, Locking .38 x .094 Regular |
| 18 | 05948700 | 2 | Bolt, Hex .38-16 x 1.00 |

PARKING BRAKE

Model 915146, 148, 150, 168, 170



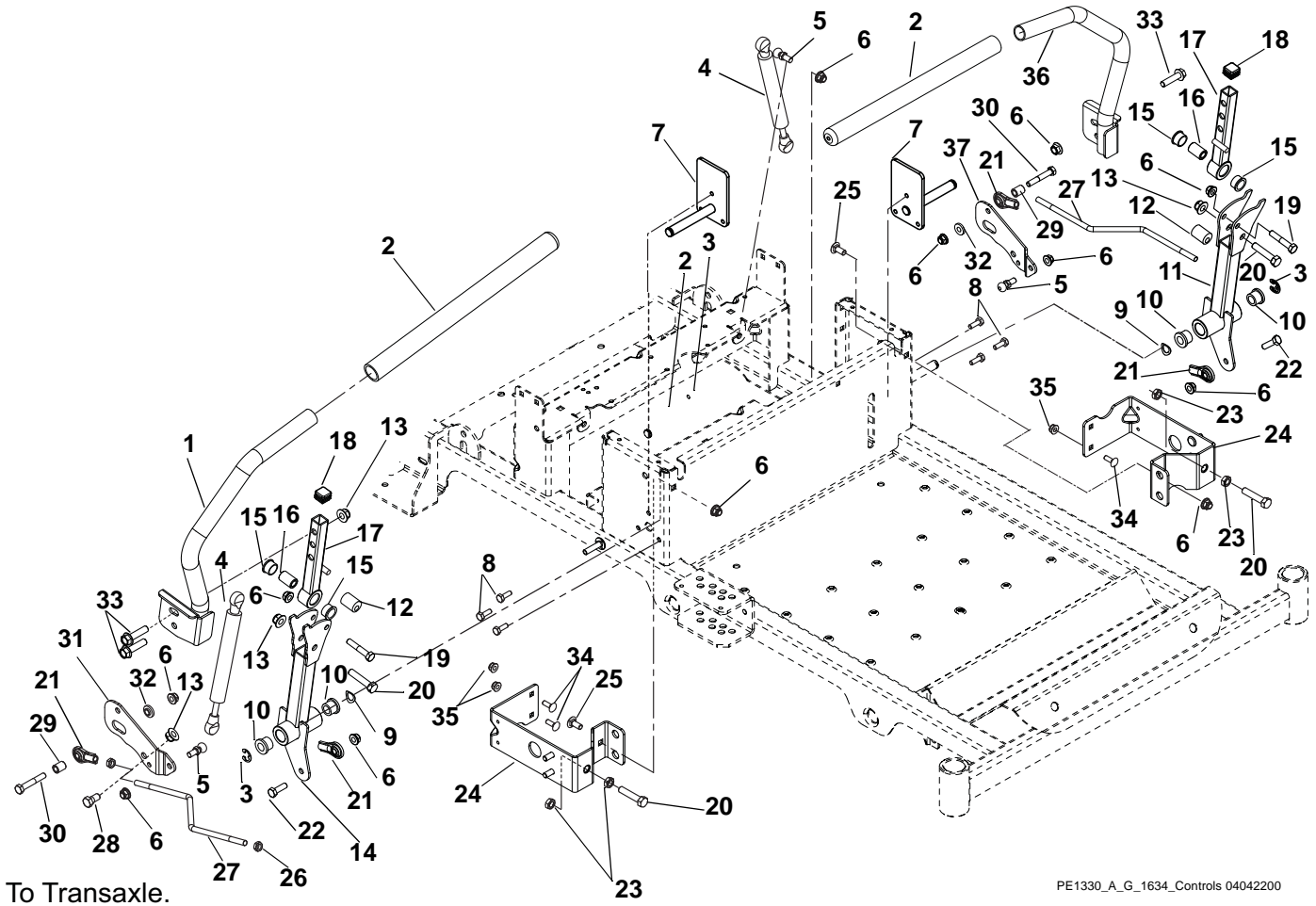
PE1261

| Item | Part No. | Qty. | Description |
|------|----------|------|---|
| 1 | 03759400 | 1 | Link, Brake Handle |
| 2 | 03759151 | 1 | Handle, Parking Brake |
| 3 | 03823300 | 1 | Link, Neutral LH |
| 4 | 05946900 | 3 | Bolt, Hex .31-18 x 1.00 |
| 5 | 05514800 | 1 | Bushing, Flange .312 x .500 x .344 x .880 |
| 6 | 06437200 | 6 | Washer, Flat, Steel .344 x .688 x .065 |
| 7 | 06545400 | 6 | Nut, Flange Nyloc 5/16-18 |
| 8 | 03769400 | 1 | Spacer, Brake Handle |
| 9 | 06713500 | 5 | Pin, Hair Internal .08 x .18 x 1.18 |
| 10 | 03759200 | 1 | Weldment, Detent Arm |
| 11 | 05947500 | 1 | Bolt, Hex .31-18 x 1.25 |
| 12 | 06435700 | 2 | Washer, Flat Steel .38 x .875 x .083 |
| 13 | 03764800 | 2 | Trunnion, 1/4-20 |
| 14 | 06446300 | 1 | Washer, Flat Steel .344 x 1.125 x .135 |
| 15 | 03764900 | 1 | Roller |
| 16 | 07400034 | 4 | Screw, Tapping .25-20 x .50 Hex Washer Head |
| 17 | 03759000 | 1 | Latch, LH Neutral |
| 18 | 03758900 | 1 | Latch, RH Neutral |
| 19 | 08326700 | 1 | Spring, Tension .072 x .565 x 1.87 |
| 20 | 08300028 | 2 | Spring, Compression |
| 21 | 03759600 | 2 | Link, Brake Cog |
| 22 | 03826900 | 1 | Grip, Parking Brake |
| 23 | 03759500 | 1 | Link, Neutral RH |
| 24 | 06446900 | 2 | Washer, Flat Steel .347 x 1.254 x .048 |
| 25 | 03761100 | 1 | Weldment, Brake Shaft |
| 26 | 01305900 | 2 | Bushing, Flange .325 x .499 x .26 x .88 |
| 27 | 06441100 | 1 | Washer, Flat, Steel .52 x .827 x .062 |
| 28 | 03757501 | 2 | Bushing, .50 Clamp Block Molded |
| 29 | 05700125 | 2 | Ring, Retaining, External .250 x .025 |

NOTES

STEERING CONTROLS

Model 915146, 148, 150, 168, 170



PE1330_A_G_1634_Controls 04042200

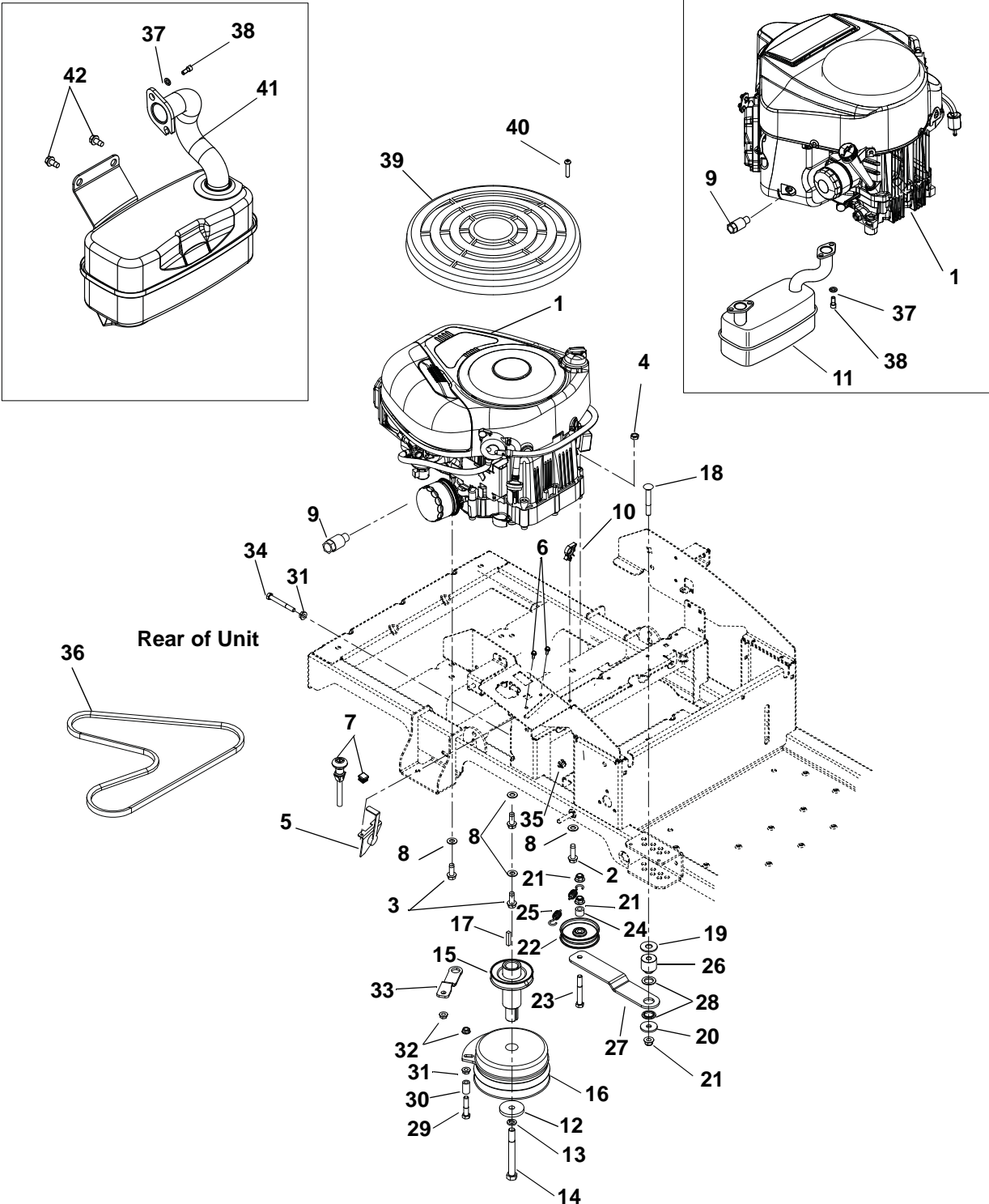
STEERING CONTROLS

Model 915146, 148, 150, 168, 170

| Item | Part No. | Qty. | Description |
|------|----------|------|---|
| 1 | 04193051 | 1 | Weldment, Steering Handle RH |
| 2 | 04257400 | 2 | Grip, Handlebar 15" Foam |
| 3 | 05710200 | 2 | Ring, Retaining External .438 x 1.00 x 0.83 |
| 4 | 03943800 | 2 | Damper |
| 5 | 03652200 | 4 | Stud, Ball |
| 6 | 06545400 | 12 | Nut, .31-18 Flange |
| 7 | 04197651 | 2 | Weldment, Steering Shaft |
| 8 | 07400034 | 6 | Screw, Tapping .25-20 x .50 Hex Washer Head |
| 9 | 06400005 | 2 | Washer, Wave |
| 10 | 05511000 | 4 | Bushing, Flanged |
| 11 | 04192851 | 1 | Weldment, Lower Control Arm |
| 12 | 05500932 | 2 | Bushing, Eccentric |
| 13 | 06545500 | 8 | Nut, .38-16 Nyloc Flange |
| 14 | 04199451 | 1 | Weldment, Lower Control RH |
| 15 | 05501017 | 4 | Bushing, Flanged |
| 16 | 04193500 | 2 | Spacer, .375 x .625 x .970 |
| 17 | 04192951 | 2 | Weldment, Upper Control Arm |
| 18 | 07500131 | 2 | Cap Plug, Square |
| 19 | 05957400 | 2 | Bolt, Hex .31-18 x 1.75 |
| 20 | 05974000 | 4 | Bolt, Hex .375-16 x 1.75 |
| 21 | 03787100 | 4 | Alignaball, 5/16 RH Thread |
| 22 | 05946900 | 2 | Bolt, Hex .31-18 x 1.00 |
| 23 | 06535900 | 4 | Nut, Hex Jam .375-16 |
| 24 | 03956251 | 2 | Bracket, Speed Adjustment/Seat Pivot |
| 25 | 06220800 | 2 | Bolt, Round Head Square Neck .31-18 x .75 |
| 26 | 06536700 | 4 | Nut, Jam, .31-24 |
| 27 | 04197300 | 2 | Wireform, Steering Link |
| 28 | 05959400 | 2 | Bolt, Hex .38-16 x .75 |
| 29 | 04208000 | 2 | Spacer, .328 x .500 x .625 |
| 30 | 05957200 | 2 | Bolt, Hex .31-18 x 2.00 |
| 31 | 03759351 | 1 | Plate, Dampener (RH) |
| 32 | 04147200 | 2 | Bushing, Flanged |
| 33 | 07001633 | 4 | Bolt, Serrated Head .38-16 x 1.5 |
| 34 | 06219900 | 4 | Bolt, Round Head Square Neck .25-20 x .75 |
| 35 | 06500012 | 4 | Nut, Locking, Nylon, Flange .25-20 |
| 36 | 04199551 | 1 | Weldment, Steering Handle LH |
| 37 | 03766051 | 1 | Plate, Damper LH |

ENGINE, EXHAUST, BELTS AND IDLERS

Model 915146, 148, 150, 168, 170



PE1323_A_G_Engine&Exhaust

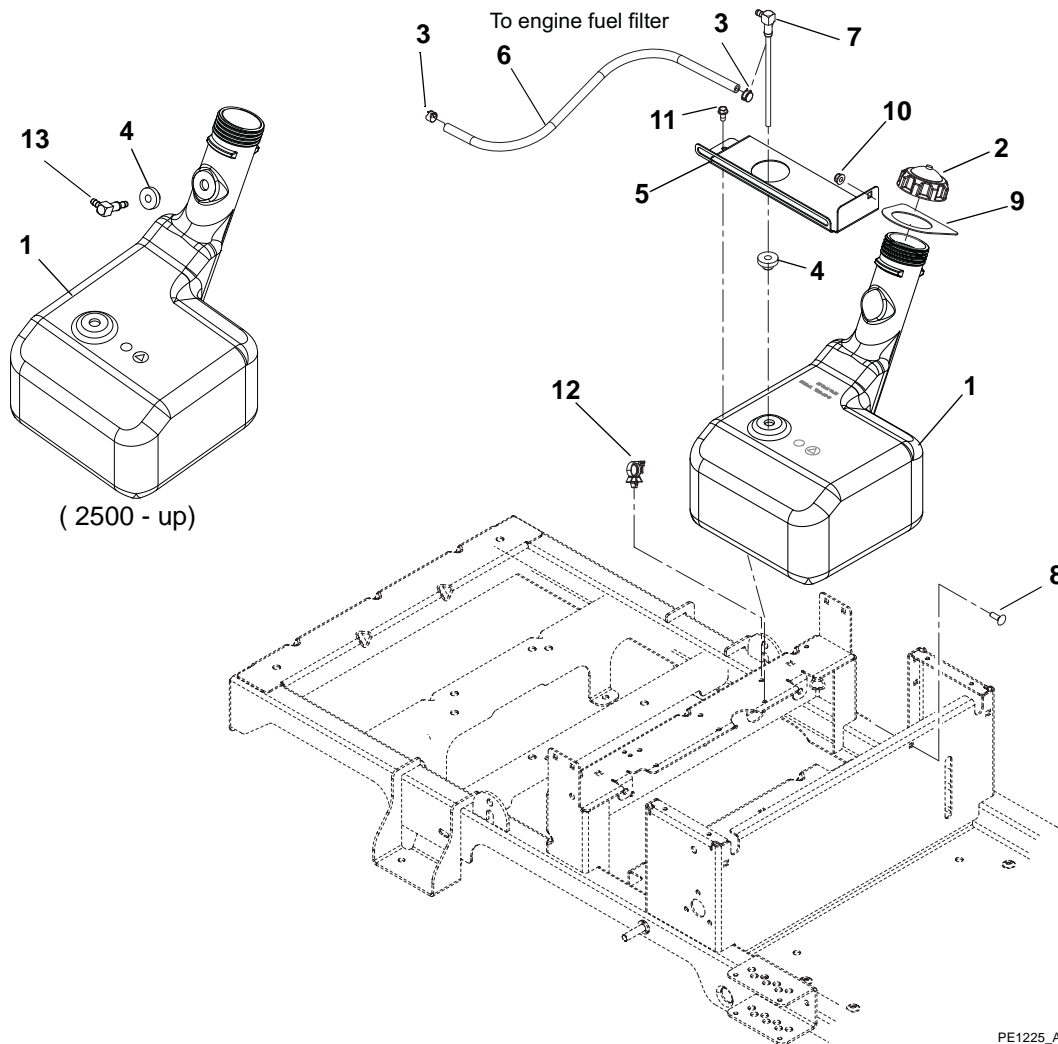
ENGINE, EXHAUST, BELTS AND IDLERS

Model 915146, 148, 150, 168, 170

| Item | Part No. | Qty. | Description |
|------|----------|------|--|
| 1 | 08200638 | 1 | Engine, 16.5 HP Briggs and Stratton Powerbuilt (915146, 168) |
| | 08200631 | 1 | Engine, Kawasaki FR651V (915148, 170) |
| | 08200523 | 1 | Engine, Kawasaki R691 (915150) |
| 2 | 07414700 | 1 | Screw, Tapping .38-16 x 1.25 Hex Washer Head (915146, 168) |
| 3 | 07414100 | 3 | Screw, Tapping .38-16 x 1.00 Hex Washer Head (915146, 168) |
| | 05901507 | 4 | Bolt, Hex .38-16 x 1.25 (915148, 150, 170) |
| 4 | 06537200 | 1 | Nut, Locking Jam .375-16 (915146, 168) |
| 5 | 00619600 | 1 | Throttle/Choke Cable (915146, 168) |
| | 06900416 | 1 | Throttle Cable (915148, 150, 170) |
| 6 | 07415800 | 2 | Screw, Tapping 10-24 x .50 Hex Washer Head |
| 7 | 07500123 | 1 | Plug, 5/8" Square Black (14-20GA) (915146, 168) |
| | 06900408 | 1 | Cable, Choke (SNAP IN) (915148, 150, 170) |
| 8 | 06436200 | 4 | Washer, Flat, Steel .406 x .812 x .065 |
| 9 | 03943600 | 1 | Oil Drain |
| 10 | 00390100 | 3 | Wire Clip (for .25" hole) (915146, 168) |
| | | 2 | Wire Clip (for .25" hole) (915148, 150, 170) |
| 11 | 03946900 | 1 | Muffler, Twin (915148, 150, 170) |
| 12 | 06443600 | 1 | Washer, Flat, Steel .469 x 2.00 x .25 |
| 13 | 06309300 | 1 | Washer, Locking .44 x .109 Regular |
| 14 | 05966700 | 1 | Bolt, Hex .44-20 x 4.50 Grade 8 |
| 15 | 07333000 | 1 | Weldment, PTO Extension w/Sheave |
| 16 | 03972700 | 1 | Clutch, 105 FT*LB MONO Pole |
| 17 | 06603400 | 1 | Key, Square .25 x 1.25 x .25 SAE 8630 or SAE 1035 |
| 18 | 06225400 | 1 | Bolt, Round Head Square Neck .38-16 x 2.75 |
| 19 | 06442000 | 1 | Washer, Flat, Steel .563 x 1.38 x .109 |
| 20 | 06442400 | 2 | Washer, Flat, Steel .406 x 1.375 x .135 |
| 21 | 06545500 | 3 | Nut, Locking, Nylon, Flange .38-16 |
| 22 | 07300221 | 1 | Pulley, Engine Clutch |
| 23 | 05961400 | 1 | Bolt, Hex .38-16 x 2.75 |
| 24 | 08553700 | 1 | Bushing, Sleeve .391 x .688 x .52 |
| 25 | 08300512 | 1 | Spring, Extension |
| 26 | 03961100 | 1 | Spacer, Ground Drive Idler |
| 27 | 03961000 | 1 | Idler Arm, Ground Drive |
| 28 | 03960700 | 1 | Bushing, Idler Arm |
| 29 | 05901418 | 1 | Screw, Cap .31-18 x 1.75 |
| 30 | 03980200 | 1 | Spacer, Rubber 5/16 ID x 1.0 |
| 31 | 06530400 | 2 | Nut, Spin Lock, Flange .312-18 |
| 32 | 06543100 | 2 | Nut, Locking, Top, Flange .31-18 |
| 33 | 03956751 | 1 | Bracket, Clutch Stop |
| 34 | 05960600 | 1 | Bolt, Hex .31-18 x 2.75 |
| 35 | 06545400 | 1 | Nut, Locking, Nylon, Flange .31-18 |
| 36 | 07200010 | 1 | V-Belt, HA-RAW Edge Laminated |
| 37 | 06308600 | 4 | Washer, Locking .31 x .078 Regular |
| 38 | 05933100 | 4 | Capscrew .31-18 x .75 S/HD |
| 39 | 03276500 | 1 | Guard, Briggs Engine (915146, 168) |
| 40 | 06100206 | 1 | Screw, 8-16 x .87 (915146, 168) |
| 41 | 04058800 | 1 | Muffler, Briggs and Stratton (915146, 168) |
| 42 | 07400034 | 2 | Screw, Tapping .25-20 x .50 Hex Washer Head (915146, 168) |

FUEL TANK

Model 915146, 148, 150, 168, 170



PE1225_A_G_FuelTank

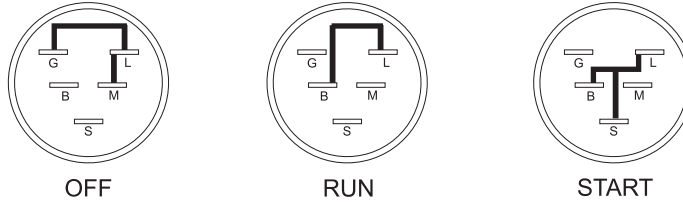
| Item | Part No. | Qty. | Description |
|------|----------|------|---|
| 1 | 03761700 | 1 | Tank, Fuel (Serial Number 101 – 2499) |
| | 04191900 | 1 | Tank, Fuel 2.5G w/Vent Port (Serial Number 2500 – up) |
| 2 | 01538400 | 1 | Fuel Cap (Serial Number 101 – 2499) |
| | 04238500 | 1 | Fuel Cap, 225 CARB w/12" THTR (Serial Number 2500 – up) |
| 3 | 03278800 | 2 | Clamp, Fuel Line |
| 4 | 07500206 | 1 | Bushing (Serial Number 101 – 2499) |
| | | 2 | Bushing (Serial Number 2500 – up) |
| 5 | 03771451 | 1 | Bracket, Tank Strap |
| 6 | 03278100 | NA | Hose, .25 Low Perm Gas (as required) |
| 7 | 04333600 | 1 | Assembly, Fuel Pickup |
| 8 | 06219900 | 1 | Bolt, Round Head Square Neck .25-20 x .75 |
| 9 | 03795700 | 1 | Seal, Tank Neck |
| 10 | 06500012 | 1 | Nut, .25-20 Nyloc Flange |
| 11 | 07400034 | 1 | Screw, Tapping .25-20 x .50 Hex Washer Head |
| 12 | 00390100 | 1 | Wire Clip |
| 13 | 04219300 | 1 | Fitting, 90 Degree Fuel Plastic (Serial Number 2500 – up) |

CONTINUITY DIAGRAM

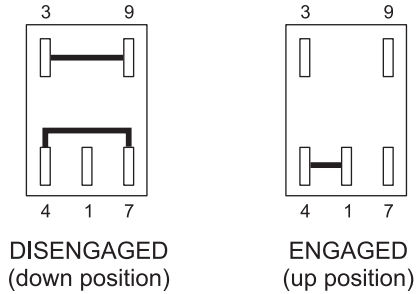
Model 915146, 148, 150, 168, 170

The diagrams below show the various states of connection for electrical components.
The solid lines on switches show continuity.
NOTE: All switches are viewed from the rear.

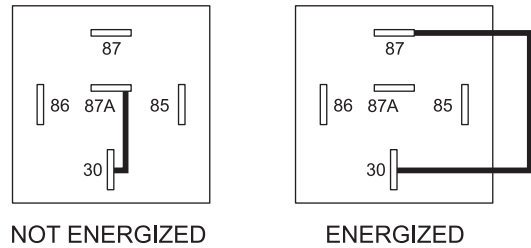
Key Switch (03290500)



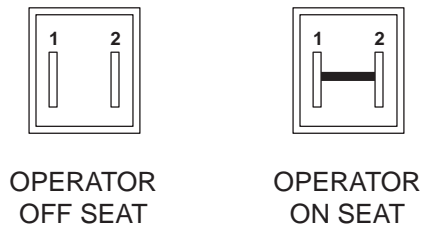
PTO Switch (01545600)



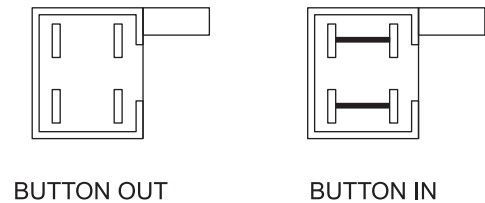
Relay (03042800)



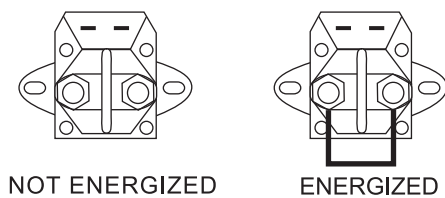
Seat Switch (03654200)



Park Brake Switch (03606600)



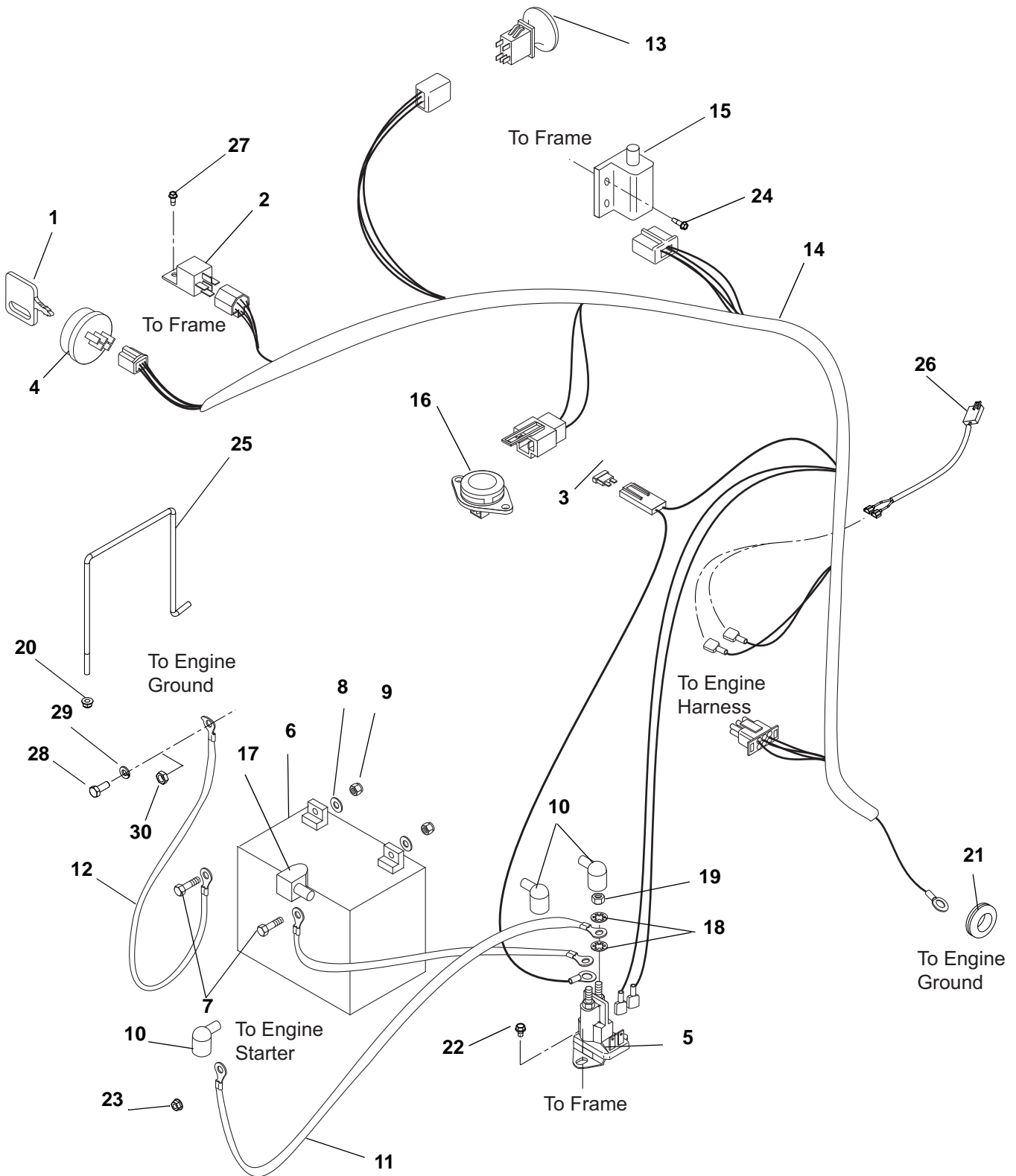
Solenoid (00696900)



PE0771

ELECTRICAL SYSTEM

Model 915146, 148, 150, 168, 170



PE0200_A_G_Electrical

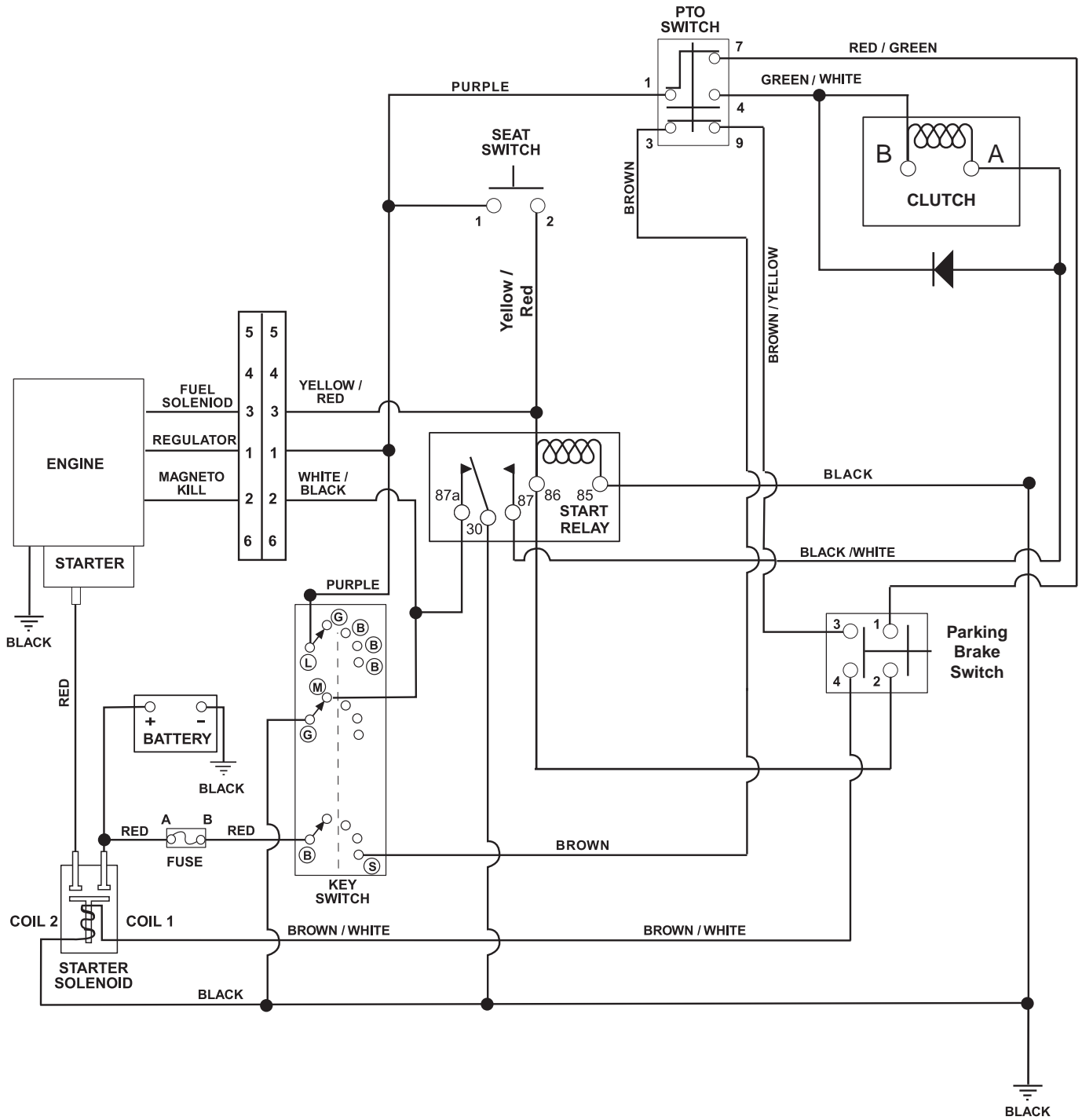
ELECTRICAL SYSTEM

Model 915146, 148, 150, 168, 170

| Item | Part No. | Qty. | Description |
|------|----------|------|--|
| 1 | 03927000 | 1 | Key |
| 2 | 03042800 | 1 | Relay |
| 3 | 09351100 | 1 | Fuse, 30 AMP |
| 4 | 03290500 | 1 | Key Switch w/Key |
| 5 | 00696900 | 1 | Solenoid |
| 6 | N/A | 1 | Battery, Sealed Maintenance free U1-250 (Purchase replacement locally) |
| 7 | 05946800 | 2 | Bolt, Hex .25-20 x .75 |
| 8 | 06437300 | 2 | Washer, Flat Steel .281 x .62 x .065 |
| 9 | 06509200 | 2 | Nut, KEPS .250-20 |
| 10 | 07533200 | 3 | Boot, Eyelet Terminal |
| 11 | 03777100 | 1 | Cable, POS |
| 12 | 03777000 | 1 | Ground Cable |
| 13 | 01545600 | 1 | Switch, Clutch With Retainer |
| 14 | 03773900 | 1 | Harness, Wiring ZT |
| 15 | 03606600 | 1 | Switch, Double Pole N.O. / N.O. |
| 16 | 03654200 | 1 | Switch, Snap Mounting (N.O.) |
| 17 | 07505700 | 1 | Insulator |
| 18 | 06310500 | 4 | Washer, Locking .31 |
| 19 | 06536700 | 2 | Nut, Jam .31-24 |
| 20 | 06500012 | 1 | Nut, .25-20 Nyloc Flange |
| 21 | 07506500 | 1 | Grommet .125 x 1.000 ID |
| 22 | 07411600 | 2 | Screw, Tapping .250-20 x .37 Hex Washer Head |
| 23 | 06543500 | 1 | Nut, Locking, Top, Flange .25-20 |
| 24 | 07400038 | 2 | Screw, 12-14 x .75 HX |
| 25 | 03781900 | 1 | Hold Down, Battery |
| 26 | 03972600 | 1 | Harness, Clutch |
| 27 | 07411900 | 1 | Screw, Tapping 12-24 x .50 Hex Washer Head |
| 28 | 05973300 | 1 | Bolt, Hex M8-1.25 x 20 |
| 29 | 06308600 | 1 | Washer, Locking .31 x .078 Regular |
| 30 | 06537200 | 1 | Nut, Locking, Center, Jam .375-16 |

WIRING DIAGRAM

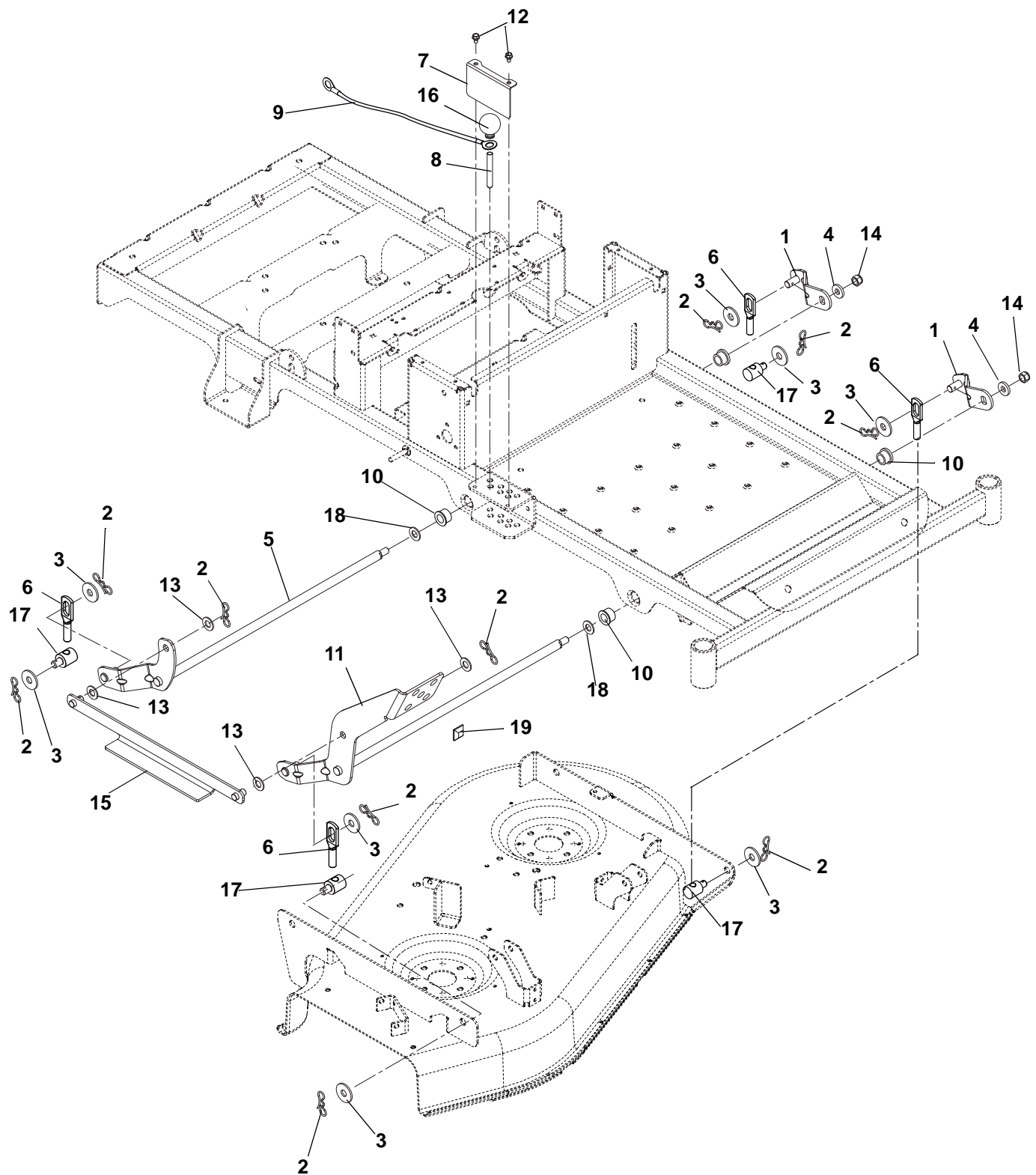
Model 915146, 148, 150, 168, 170



NOTES

MOWER DECK LIFT

Model 915146, 148, 150, 168, 170



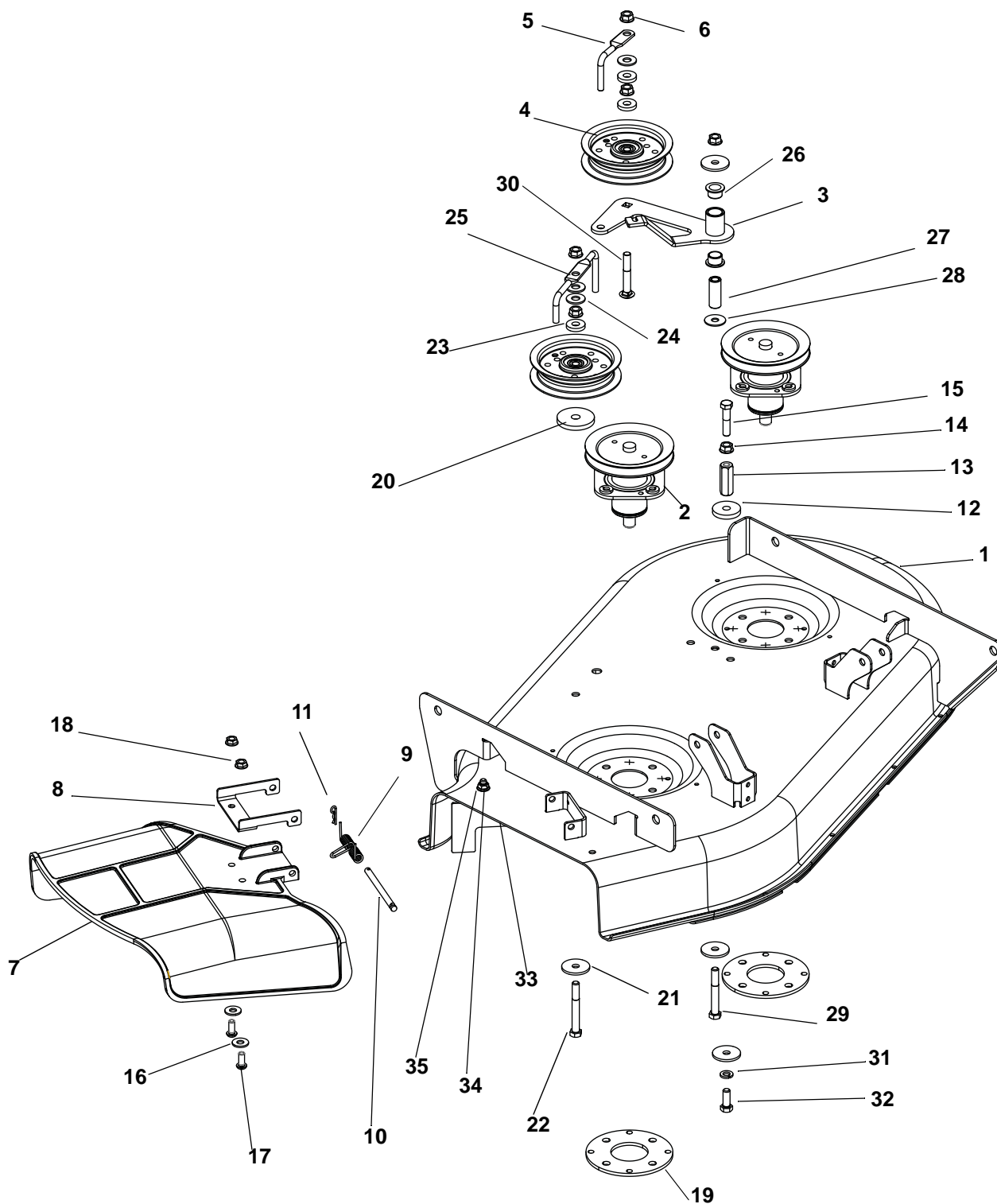
MOWER DECK LIFT

Model 915146, 148, 150, 168, 170

| Item | Part No. | Qty. | Description |
|------|----------|------|--|
| 1 | 03745400 | 2 | Weldment, Lift Arm |
| 2 | 06700201 | 10 | Pin, Bow Tie Locking Cotter .091 x 1.875 |
| 3 | 06436400 | 8 | Washer, Flat, Steel .511 x 1.441 x .125 |
| 4 | 06400903 | 2 | Washer, Flat, Steel .50 x 1.25 x .160 |
| 5 | 03746100 | 1 | Weldment, Rear Deck Lift Shaft |
| 6 | 00160000 | 4 | Assembly, Deck Link |
| 7 | 03766151 | 1 | Guard, Deck Lift |
| 8 | 03755200 | 1 | Pin, Deck |
| 9 | 06900317 | 1 | Cable, 12.0 Lanyard, Nylon |
| 10 | 05519100 | 4 | Bushing, Flange .627 x .879 x .469 x 1.120 |
| 11 | 03744800 | 1 | Weldment, Deck Lift Pedal |
| 12 | 07411600 | 2 | Screw, Tap .25-20 x .37 |
| 13 | 06443300 | 4 | Washer, Flat, Nylon .52 x 1.00 x .08 |
| 14 | 06500633 | 2 | Nut, Nyloc 7/16-20 |
| 15 | 03745300 | 1 | Weldment, Lift Link |
| 16 | 07533500 | 1 | Knob, Ball, Black 1.47" .375-16 |
| 17 | 01590400 | 4 | Trunnion, .50 |
| 18 | 06442800 | 2 | Washer, Flat Steel .656 x 1.31 x .095 |
| 19 | 07525100 | 1 | Bumper, Rubber |

MOWER DECK, BELT AND IDLERS

Model 915146, 168



PE0870_A_G_Deck_BeltsHVZ

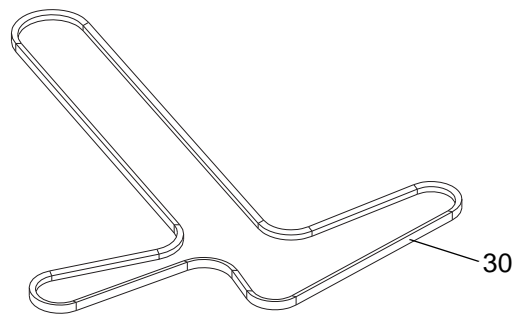
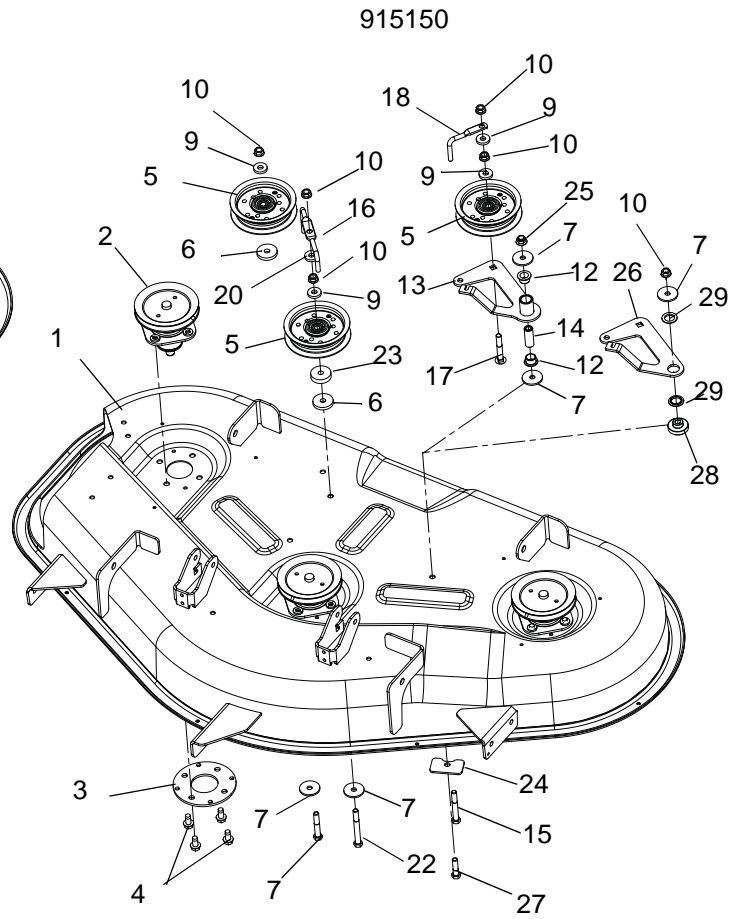
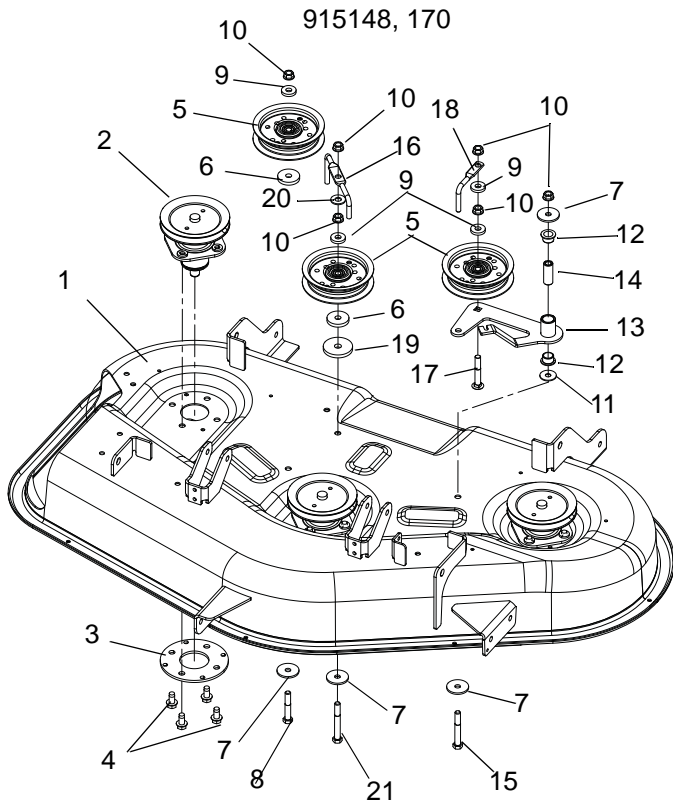
MOWER DECK, BELT AND IDLERS

Model 915146, 168

| Item | Part No. | Qty. | Description |
|------|----------|------|--|
| 1 | 04232553 | 1 | Weldment, 34" Deck |
| 2 | 61559900 | 2 | Assembly, Spindle |
| 3 | 04072900 | 1 | Weldment, Idler Arm |
| 4 | 07300039 | 2 | Assembly, Idler 4" |
| 5 | 03828853 | 1 | Wireform, Belt Finger |
| 6 | 06542000 | 5 | Nut, Locking Top Flange .38-16 |
| 7 | 03994300 | 1 | Chute, Side Discharge |
| 8 | 00662653 | 1 | Chute Reinforcement |
| 9 | 01258100 | 1 | Spring, Torsion |
| 10 | 06800002 | 1 | Pin, 5/16 x 3.88" |
| 11 | 06713500 | 1 | Pin, Hair Internal .08 x .18 x 1.18 |
| 12 | 06400006 | 2 | Washer, Flat Steel .406 x 1.50 x .245 |
| 13 | 06533500 | 1 | Nut, Coupling .375-16 x 1.75 |
| 14 | 06534900 | 1 | Nut, Spin Lock, Flange .375-16 |
| 15 | 05958500 | 1 | Bolt, Hex .38-16 x 1.75 |
| 16 | 06435700 | 2 | Washer, Flat Steel .38 x .875 x .083 |
| 17 | 05920900 | 2 | Screw, Socket Head .31-18 x .75 Button Head |
| 18 | 06543100 | 2 | Nut, Locking Top Flange .31-18 |
| 19 | 03839053 | 2 | Plate, REINF, Spindle |
| 20 | 06443600 | 1 | Washer, Flat Steel .469 x 2.00 x .25 |
| 21 | 06443400 | 4 | Washer, Flat Steel .380 x 1.50 x .125 |
| 22 | 05957800 | 1 | Bolt, Hex .38-16 x 3.00 |
| 23 | 06444000 | 3 | Washer, Flat Steel .406 x 1.00 x .188 |
| 24 | 06435900 | 3 | Washer, Flat Steel .438 x 1.00 x .083 |
| 25 | 03974153 | 1 | Belt Finger |
| 26 | 05500907 | 2 | Bushing, Flange, .625 x .750 x .500 x 1.00 |
| 27 | 03763400 | 1 | Spacer, .375ID x .625D x 1.66 Promaster |
| 28 | 06425500 | 1 | Washer, Flat Steel .375 x 1.125 x .065 G446470 |
| 29 | 05961400 | 1 | Bolt, Hex .38-16 x 2.75 |
| 30 | 06224400 | 1 | Bolt, Round Head Square Neck .38-16 x 2.50 |
| 31 | 06308800 | 1 | Washer, Locking .38 x .094 Regular |
| 32 | 05948700 | 1 | Bolt, Hex .38-16 x 1.00 |
| 33 | 03779200 | 1 | Bracket, Baffle, Discharge 34" |
| 34 | 05947000 | 2 | Bolt, Hex .37-18 x .75 |
| 35 | 06545400 | 2 | Nut, Locking Nylon Flange .31-18 |

MOWER DECK, BELT AND IDLERS

Model 915148, 150, 170



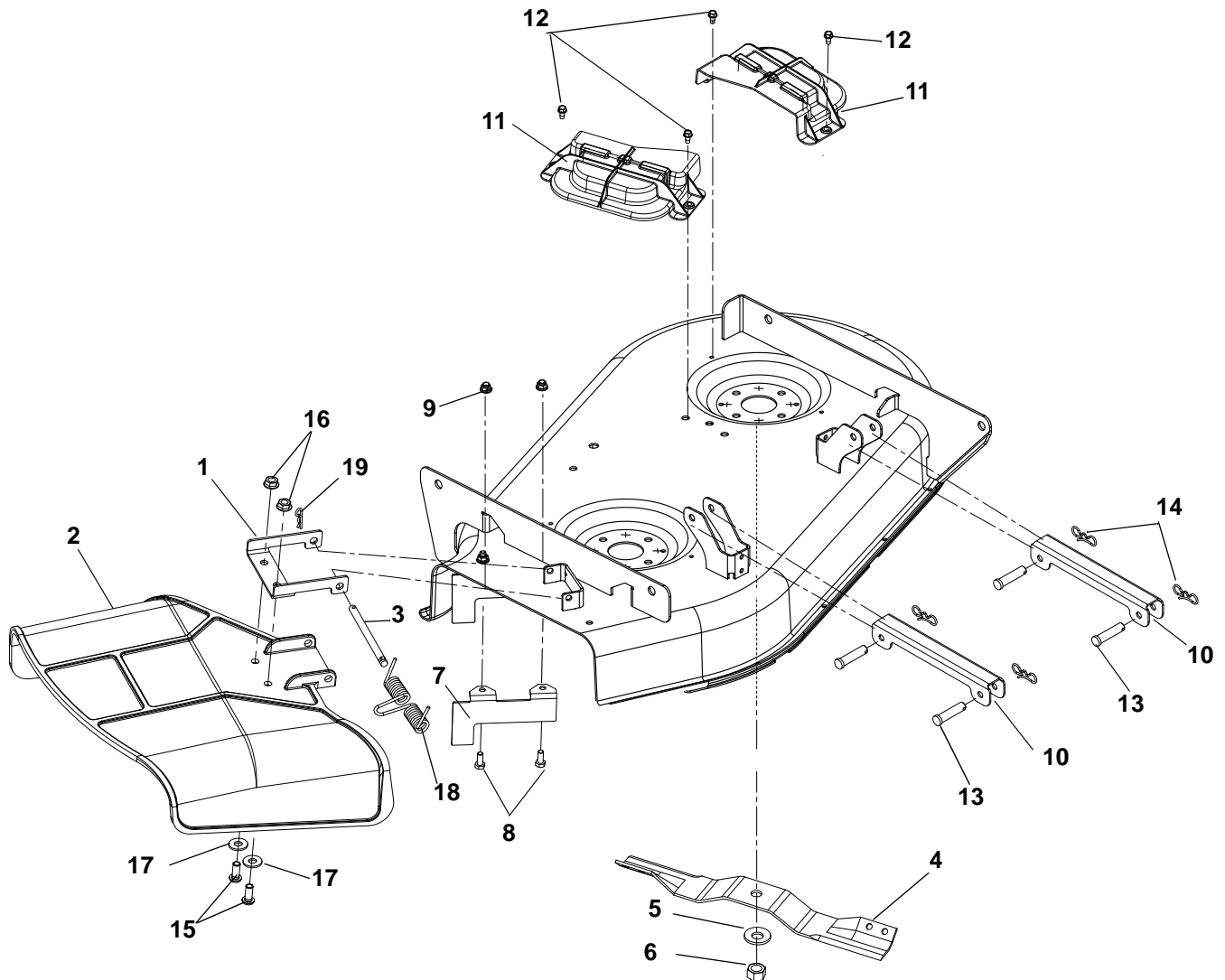
MOWER DECK, BELT AND IDLERS

Model 915148, 150, 170

| Item | Part No. | Qty. | Description |
|------|----------|------|--|
| 1 | 03967753 | 1 | Deck, 42" (915148, 170) |
| | 03945953 | 1 | Deck, 50" (915150) |
| 2 | 51520900 | 3 | Assembly, Spindle (915148, 170) |
| | 51519500 | 3 | Assembly, Spindle (915150) |
| 3 | 03839053 | 3 | Plate, Spindle |
| 4 | 07415400 | 12 | Screw, Tapping .38-16 x .75 Hex Washer Head |
| 5 | 07300039 | 3 | Assembly, Idler 4" |
| 6 | 06400006 | 2 | Washer, Flat, Steel .406 x 1.50 x .245 |
| 7 | 06443400 | 4 | Washer, Flat, Steel .380 x 1.50 x .125 |
| 8 | 05962900 | 1 | Bolt, Hex .38-16 x 2.25 |
| 9 | 06444000 | 4 | Washer, Flat, Steel .406 x 1.00 x .188 |
| 10 | 06542000 | 6 | Nut, Locking, Top, Flange .38-16 |
| 11 | 06425500 | 1 | Washer, Flat, Steel .375 x 1.125 x .065 |
| 12 | 05500907 | 2 | Bushing, Flange, .625 x .750 x .500 x 1.00 |
| 13 | 04072900 | 1 | Weldment, Idler Arm |
| 14 | 03763400 | 1 | Spacer, .375ID x .625 OD x 1.66 |
| 15 | 05961400 | 1 | Bolt, Hex .38-16 x 2.75 |
| 16 | 03974153 | 1 | Belt Finger |
| 17 | 06224400 | 1 | Bolt, Round Head Square Neck .38-16 x 2.50 |
| 18 | 03828853 | 1 | Wireform Belt Finger |
| 19 | 06443600 | 1 | Washer, Flat, Steel .469 x 2.00 x .25 |
| 20 | 06435900 | 1 | Washer, Flat, Steel .438 x 1.00 x .083 (915148, 170) |
| 21 | 05957800 | 1 | Bolt, Hex .38-16 x 3.00 (915148, 170) |
| 22 | 05961100 | 1 | Bolt, Hex .38-16 x 3.25 (915150) |
| 23 | 01594000 | 1 | Spacer, .39 x 1.50 x .380 (915150) |
| 24 | 04061053 | 1 | Plate, Deck (915150) |
| 25 | 06545500 | 1 | Nut, Locking, Nylon, Flange .38-16 (915150) |
| 26 | 03956000 | 1 | Idler Arm (915150) |
| 27 | 05957900 | 1 | Bolt, Hex .38-16 x 1.50 (915150) |
| 28 | 03960600 | 1 | Spacer, Idler Arm (915150) |
| 29 | 03960700 | 2 | Bushing, Idler Arm (915150) |
| 30 | 07200523 | 1 | V-Belt, 4L Wrapped (915148, 170) |
| | 07200524 | 1 | V-Belt, 4L Wrapped (915150) |

BELT COVERS AND BLADES

Model 915146, 168

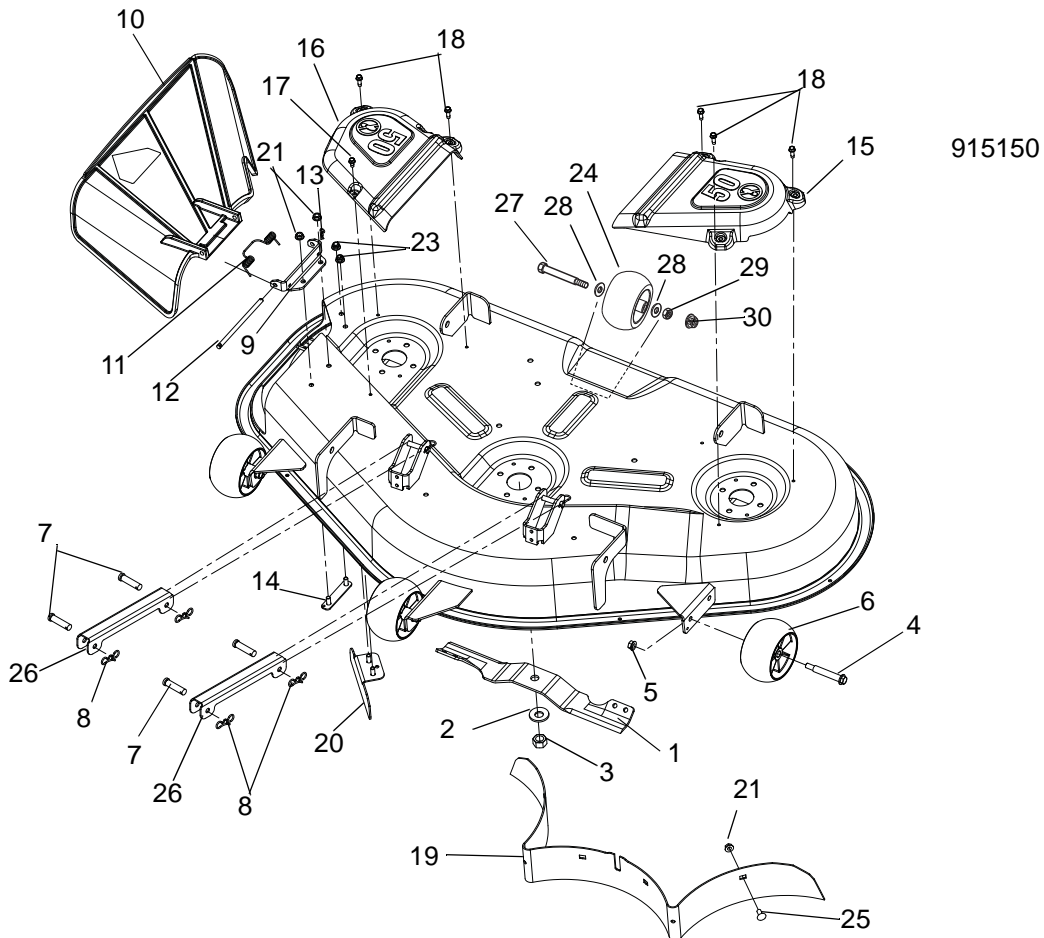
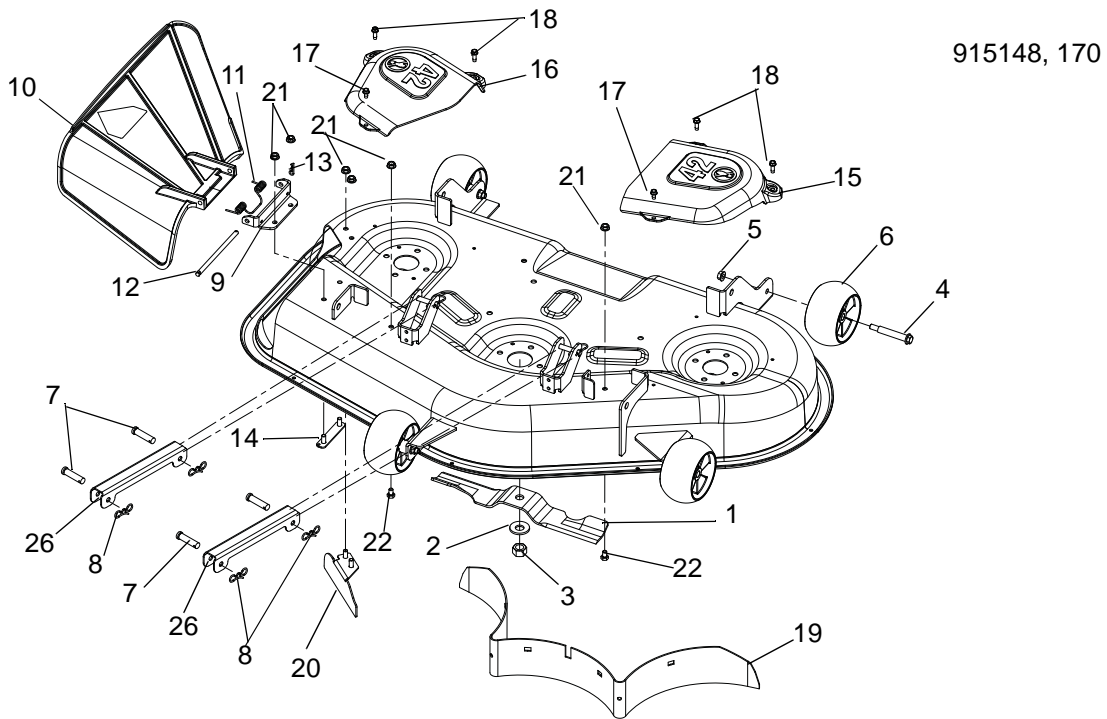


| Item | Part No. | Qty. | Description |
|------|----------|------|---|
| 1 | 00662653 | 1 | Chute Reinforcement |
| 2 | 03994300 | 1 | Molded Chute |
| 3 | 06800002 | 1 | Pin, 5/16 x 3.88" |
| 4 | 03971900 | 2 | Blade, Mower 17.35 |
| 5 | 06445700 | 2 | Washer, Beveled .63 x 1.625 x .14 |
| 6 | 06500630 | 2 | Nut, Hex .62-18 |
| 7 | 03779253 | 1 | Bracket, Baffle Discharge 34" |
| 8 | 05947000 | 2 | Bolt, Hex .31-18 x .75 |
| 9 | 06545400 | 2 | Nut, .31-18 Nyloc Flange |
| 10 | 03764053 | 2 | Bracket, Stabilizer Link |
| 11 | 04323800 | 2 | Cover, Belt Molded |
| 12 | 07400034 | 4 | Screw, Tapping .25-20 x .50 Hex Washer Head |
| 13 | 06800102 | 4 | Pin, Clevis .375 x 2.00 |
| 14 | 06700206 | 4 | Pin, Bow Tie Locking |
| 15 | 05920900 | 2 | Screw, .31-18 x .75 |
| 16 | 06543100 | 2 | Nut, Locking Top Flange .31-18 |
| 17 | 06435700 | 2 | Washer, Flat, Steel .38 x .875 x .083 |
| 18 | 01258100 | 1 | Spring, Torsion |
| 19 | 06713500 | 1 | Pin, Hair .08 x .18 x 1.18 |

NOTES

BELT COVERS AND BLADES

Model 915148, 150, 170



BELT COVERS AND BLADES

Model 915148, 150, 170

| Item | Part No. | Qty. | Description |
|------|----------|------|---|
| 1 | 04265400 | 3 | Mower Blade, 14.83" (915148, 170) |
| | 03971900 | 3 | Blade, Mower 17.35" (915150) |
| 2 | 06445700 | 3 | Washer, Bellville .63 x 1.625 x .14 |
| 3 | 06500630 | 3 | Nut, Hex .62-18 |
| 4 | 07056800 | 3 | Bolt, Shoulder .38-16 x 2.50 Hex Washer Head |
| 5 | 06542000 | 3 | Nut, Locking, Top, Flange .38-16 |
| 6 | 03905600 | 4 | Anti-Scalp Wheel, 5 x 3 OS (915148, 170) |
| | 03905600 | 3 | Anti-Scalp Wheel, 5 x 3 OS (915150) |
| 7 | 06800102 | 4 | Pin, Clevis .375 x 2.00 |
| 8 | 06700206 | 4 | Pin, Bow Tie Locking Cotter |
| 9 | 04073053 | 1 | Bracket, Discharge Chute Mount 42" (915148, 170) |
| | 03977553 | 1 | Bracket, Discharge Chute Mount 50" (915150) |
| 10 | 03902300 | 1 | Discharge Chute |
| 11 | 08300515 | 1 | Spring, Torsion |
| 12 | 00475800 | 1 | Pin, 5/16 x 5.80" |
| 13 | 06713500 | 1 | Pin, Hair Internal .08 x .18 x 1.18 |
| 14 | 03977400 | 1 | Weldment, Discharge Chute MT. Strap |
| 15 | 03902200 | 1 | Belt Cover, Left Hand 42" (915148, 170) |
| | 03901900 | 1 | Belt Cover, Left Hand 50" (915150) |
| 16 | 03902100 | 1 | Belt Cover, Right Hand 42" (915148, 170) |
| | 03901800 | 1 | Belt Cover, Right Hand 50" (915150) |
| 17 | 07400034 | 2 | Screw, Tapping .25-20 x .50 Hex Washer Head (915148, 170) |
| | 07400034 | 1 | Screw, Tapping .25-20 x .50 Hex Washer Head (915150) |
| 18 | 07414200 | 4 | Screw, Tapping .25-20 x .75 Hex Washer Head |
| 19 | 03957853 | 1 | Baffle, 42 Rear (915148, 170) |
| | 04069053 | 1 | Baffle, 50 Rear (915150) |
| 20 | 04044153 | 1 | Baffle, 42" Deflector (915148, 170) |
| | 03955953 | 1 | Baffle, 50" Deflector (915150) |
| 21 | 06543100 | 6 | Nut, Locking, Top, Flange .31-18 (915148, 170) |
| | 06543100 | 3 | Nut, Locking, Top, Flange .31-18 (915150) |
| 22 | 05947200 | 2 | Bolt, Hex .31-18 x .50 (915148, 170) |
| 23 | 06545400 | 2 | Nut, Locking, Nylon, Flange .31-18 (915150) |
| 24 | 02745400 | 1 | Roller (915150) |
| 25 | 06220800 | 1 | Bolt, Round Head Square Neck .31-18 x .75 (915150) |
| 26 | 03764053 | 2 | Bracket, Stabilizer Link |
| 27 | 05960900 | 2 | Bolt, Hex .38-16 x 3.50 |
| 28 | 06436200 | 2 | Washer, Flat, Steel .406 x .812 x .065 |
| 29 | 06537200 | 2 | Nut, Locking, Center, Jam .375-16 |
| 30 | 06545500 | 1 | Nut, Locking, Nylon, Flange .38-16 |



GRAVELY
655 West Ryan Street
Brillion, WI 54110
920-756-4688
Fax 920-756-2407
www.gravelly.com

An *Ariens* Company Brand

Free Manuals Download Website

<http://myh66.com>

<http://usermanuals.us>

<http://www.somanuals.com>

<http://www.4manuals.cc>

<http://www.manual-lib.com>

<http://www.404manual.com>

<http://www.luxmanual.com>

<http://aubethermostatmanual.com>

Golf course search by state

<http://golfingnear.com>

Email search by domain

<http://emailbydomain.com>

Auto manuals search

<http://auto.somanuals.com>

TV manuals search

<http://tv.somanuals.com>