



# Service Bulletin

Ariens Company  
655 W. Ryan St.  
Brillion, WI 54110  
www.ariens.com



## IMPORTANT!

Please perform inspection and repair as soon as possible.

**Product Family: Pro-Turn Mowers**

**Subject: Improper Clamping of Engine Pulley and Spacer**

**Dealer Action: Update Machines Prior to Sale**

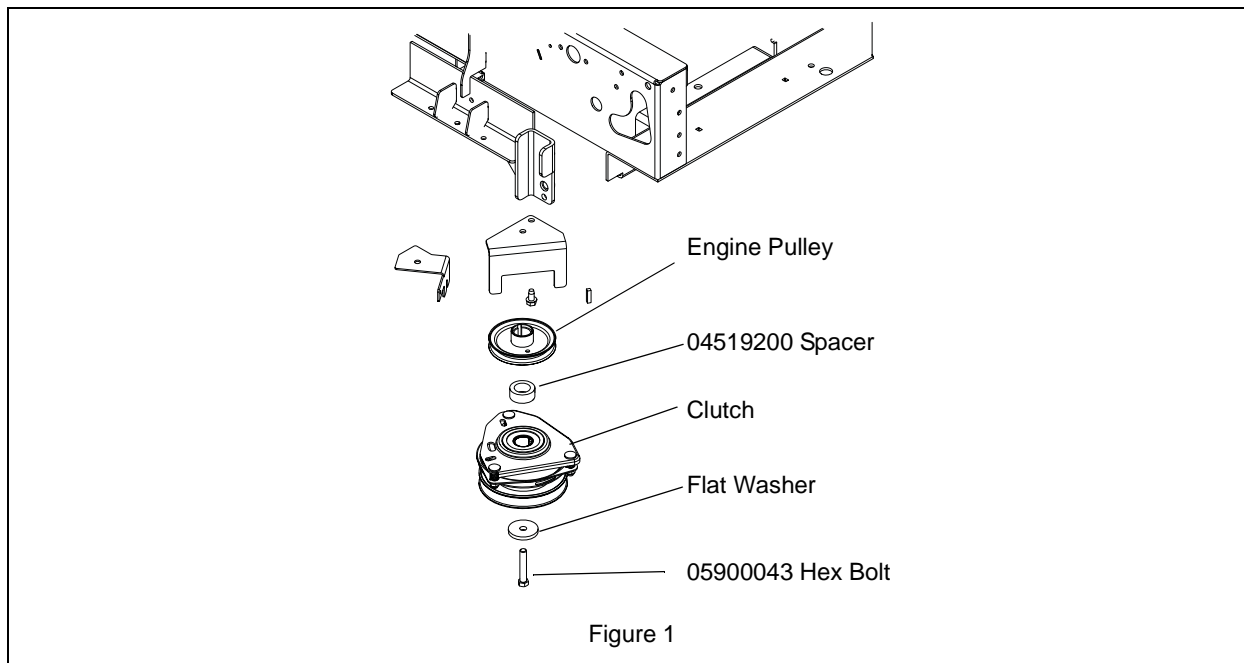
Model	Description	Serial Number Range
991200	Pro-Turn 48" Kawasaki	20000 – 21999
991201	Pro-Turn 52" Kawasaki	20000 – 21999
991202	Pro-Turn 60" Kawasaki	20000 – 21999
991203	Pro-Turn 60" Briggs & Stratton	20000 – 21999
991204	Pro-Turn 48" CARB	20000 – 21999
991205	Pro-Turn 52" CARB	20000 – 21999

Ariens Company has learned that the engine pulley (p/n 07331600) and crankshaft spacer (p/n 04519200) used on the Pro-Turn models in the serial number ranges listed above may not be clamped tightly when the clutch is mounted. This possible condition is due to variances in the length of the engine crankshaft and the components mounted on the crankshaft.

To eliminate this condition, Ariens has created a clutch spacer kit p/n 59102100. This kit contains a new crankshaft spacer (p/n 04519200) and a new clutch mounting bolt (p/n 05900043). See Figure 1.

The new spacer is slightly longer than the original to ensure that the clutch, spacer, and engine pulley are clamped tightly when properly mounted on the crankshaft. **The new spacer is gold in color so it can be easily distinguished from the original spacer which is black.**

The new clutch-mounting hex bolt is ¼" longer than the original to ensure adequate thread engagement.



**Dealer Action:**

Dealers are to immediately inspect Pro-Turn mowers in their inventory with a serial number 21999 or below. If the spacer above the clutch is gold in color, no further action is necessary. If the spacer is black, then kit 59102100 must be installed prior to retail sale.

Any Pro-Turn units in the affected model and serial range that have already been retailed are also to be inspected and updated with kit 59102100 if necessary.

**Important Note:**

In order to speed the delivery of needed parts to dealers with affected machines, Ariens Company is automatically shipping parts to each dealership that took delivery of affected units. Parts will begin shipping on or around 5/1/2013. It is not necessary for dealers to order these parts.

Standard warranty applies. Dealers will be reimbursed .50 hours for each machine repaired. For more information, contact Gravelly Technical Service at 920-756-4688

# Instruction Sheet

## Kit Number: 59102100

### PRO-TURN CLUTCH SPACER KIT



**WARNING: FAILURE TO FOLLOW INSTRUCTIONS** could result in personal injury and/or damage to unit.  
Read, understand and follow all safety practices in Owner/Operator Manual before beginning.

#### Package Contents

Check contents of kit for parts listed below (figure 1).

Item	Description	Qty	Ariens P/N
1	1-1/8 x 1-3/4 x 1-1/16" Spacer	1	04519200
2	7/16-20 x 2-3/4" Hex Bolt	1	05900043

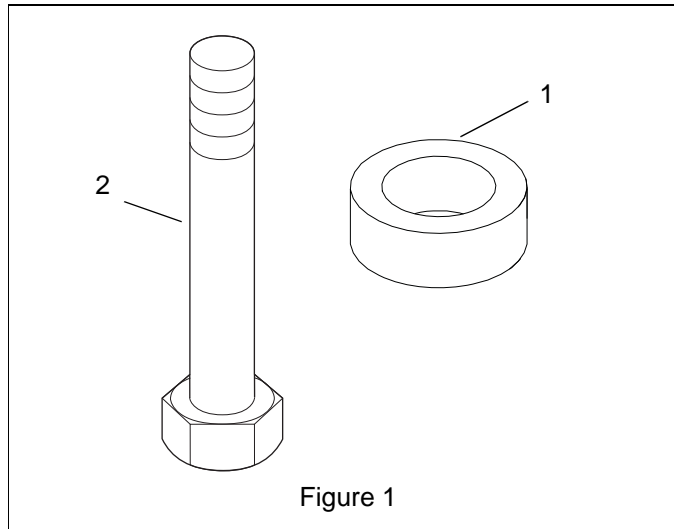


Figure 1

#### Installation

1. Stop engine and wait for moving parts to stop and hot parts to cool.
2. Remove belt from clutch pulley.
3. Remove 7/16 x 2-1/2" hex bolt and flat washer retaining clutch to crankshaft. Dispose of bolt but retain flat washer.
4. Remove and retain clutch.
5. Remove spacer below engine pulley and discard. See Figure 2.
6. Clean out crankshaft threads using a 7/16-20 tap.

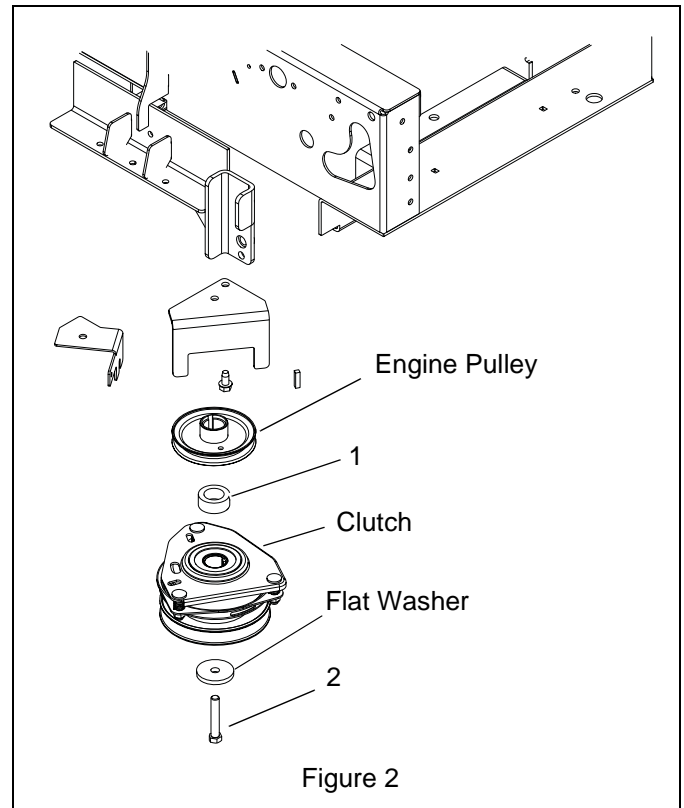


Figure 2

7. Apply a thin coat of anti-seize compound to the engine crankshaft if none is present.
8. Install new spacer (item 1) below engine pulley. See Figure 2.
9. Install clutch and flat washer and secure with replacement hex bolt (item 2).
10. Tighten hex bolt and torque to 560 – 732 lbf-in.
11. Install PTO belt.

## Free Manuals Download Website

<http://myh66.com>

<http://usermanuals.us>

<http://www.somanuals.com>

<http://www.4manuals.cc>

<http://www.manual-lib.com>

<http://www.404manual.com>

<http://www.luxmanual.com>

<http://aubethermostatmanual.com>

Golf course search by state

<http://golfingnear.com>

Email search by domain

<http://emailbydomain.com>

Auto manuals search

<http://auto.somanuals.com>

TV manuals search

<http://tv.somanuals.com>