



# Pro-Ride

## Parts Manual

---

### Model

992220 - Pro-Ride 254

992221 - Pro-Ride 260

992222 - Pro-Ride 266



Gasoline containing up to 10% ethanol (E10) or up to 10% MTBE (methyl tertiary butyl ether) is acceptable for use in this machine. The use of any gasoline exceeding 10% ethanol (E10) or 10% MTBE will void the product warranty.

Il est possible d'utiliser de l'essence contenant jusqu'à 10% d'éthanol (E10) ou 10% de MTBE (éther méthyl-tertiobutylique) sur cette machine. L'utilisation d'une essence contenant plus de 10% d'éthanol (E10) ou de 10% de MTBE annulent la garantie.

En esta máquina puede utilizarse gasolina con hasta un 10% de etanol (E10) o hasta un 10% de MTBE (éter de metil butil terciario). El uso de cualquier otro tipo de gasolina con un porcentaje superior al 10% de etanol (E10) o al 10% de MTBE invalidará la garantía del producto.

04283000 2/11  
Printed in USA

# THE MANUAL

---

Before you operate your unit, carefully and completely read manuals supplied with the unit. The contents will provide you with an understanding of safety instructions and controls during normal operation and maintenance.

For your safety and the safety of others always read, understand, and follow all DANGER, WARNING, and CAUTION messages found in manuals and on safety decals.

Hardware descriptions are given in decimals.

Decimals to Fractions			
.063	1/16	.563	9/16
.125	1/8	.625	5/8
.188	3/16	.688	11/16
.250	1/4	.750	3/4
.313	5/16	.813	13/16
.375	3/8	.875	7/8
.438	7/16	.938	15/16
.500	1/2	1.00	1

## SERVICE AND REPLACEMENT PARTS

---

When ordering replacement parts or making service inquiries, know the Model and Serial numbers of your unit and engine.

Numbers are located on the product registration card in the unit literature package. They are printed on a serial number label, located on the frame of your unit.

- Record Unit Model and Serial numbers here:

- Record Engine Model and Serial numbers here:

## UNAUTHORIZED REPLACEMENT PARTS

Use only Gravelly replacement parts. The replacement of any part on this vehicle with anything other than a Gravelly authorized replacement part may adversely affect the performance, durability, or safety of this unit and may void the warranty. Gravelly disclaims liability for any claims or damages, whether warranty, property damage, personal injury or death arising out of the use of unauthorized replacement parts.

# PRODUCT REGISTRATION

---

The Gravelly dealer must register the product at the time of purchase. Registering the product will help the company process warranty claims or contact you with the latest service information. All claims meeting requirements during the limited warranty period will be honored, whether or not the product registration card is returned. Keep a proof of purchase if you do not register your unit.

**Customer Note:** If Dealer does not register your product, please fill out, sign and return the product registration card to Gravelly or go to [www.gravelly.com](http://www.gravelly.com).

## YOUR SATISFACTION IS IMPORTANT

---

**Questions? Please follow these helpful steps:**

1. Refer to the manuals supplied with your unit.  
They will guide you through safe and proper operation and maintenance.  
They contain specifications on your unit.  
If your questions are not answered in these manuals, go to step number two.
2. Contact Your Dealer.  
Our dealers will be happy to supply any service or advice required to keep your unit operating at peak efficiency.  
A factory trained staff is available to support your equipment needs. They stock genuine Gravelly parts and lubricants manufactured with the same precision and skill as the original.  
If your questions are not resolved by the support staff, ask for the manager or owner.  
When contacting your Dealer supply your model and serial numbers.

## TO SPEED PARTS ORDERING:

1. Know the model and serial numbers of your unit.
2. Know the part number required.
3. Know the quantity required.
4. Know the part description.

# MODELS

---

## Domestic

**Model 992220 (Pro-Ride 254)**  
27hp Kawasaki with 54" Mower  
Serial No. 000101 and up

**Model 992221 (Pro-Ride 260)**  
31hp Kawasaki with 60" Mower  
Serial No. 000101 and up

**Model 992222 (Pro-Ride 266)**  
31hp Kawasaki with 66" Mower  
Serial No. 000101 and up

# TABLE OF CONTENTS

---

## DECALS

---

Decals – Safety . . . . .	4
Decals – Style . . . . .	5

## MAIN FRAME AND TRANSAXLES

---

Seat, Foot Plate and Bumper. . . . .	6
Hydraulics . . . . .	8
Pump . . . . .	10

## OPERATOR CONTROLS

---

Wheels and Brake . . . . .	12
Lift Rod. . . . .	14
Front Axle, Casters and Wheels . . . . .	16
Steering Controls . . . . .	18

## FUEL TANKS AND ENGINE

---

Engine and Exhaust. . . . .	20
Fuel Tanks . . . . .	22
ROPS. . . . .	23
Clutch and Belt. . . . .	24

## ELECTRICAL SYSTEM

---

Electrical System . . . . .	26
Electrical Schematic. . . . .	28

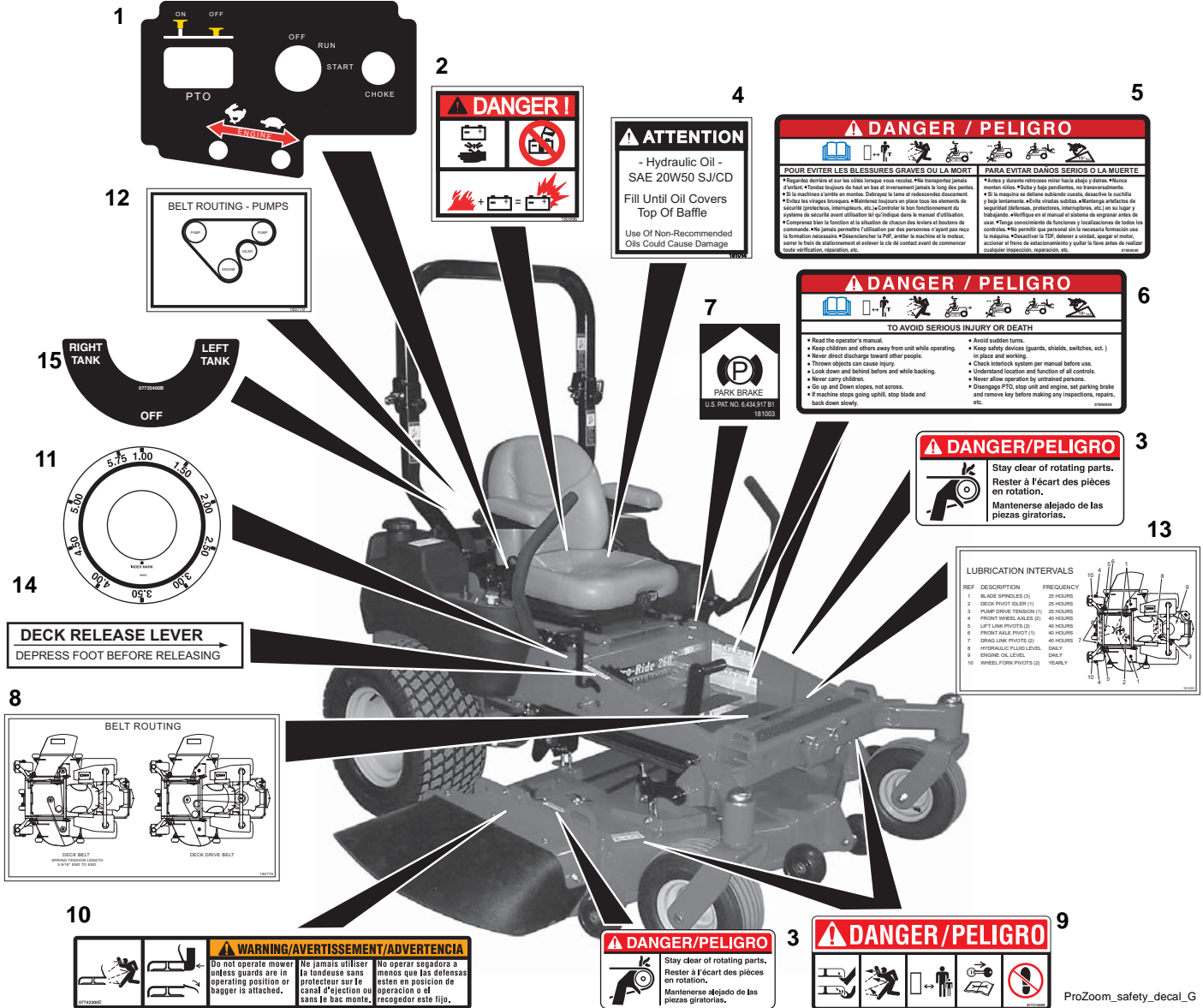
## MOWER DECKS

---

Deck Mount . . . . .	29
Mower Deck Lift . . . . .	30
Mower Deck, Anti-Scalp Wheels and Belt Covers . . . . .	32
Belts, Idlers and Blades . . . . .	34
Discharge Chute . . . . .	36
Fuel Tanks . . . . .	37

# DECALS – SAFETY

## Model 992220, 221, 222



Item	Part No.	Qty.	Description
1	07800042	1	Decal, Control Panel - 03971800 (Serial Number 101 – 2499)
	03971800	1	Decal, Control Panel - 03971800 (Serial Number 2500 and up)
2	00180996	2	Decal, Danger - Battery
3	05236900	1	Decal, Danger Belt Rotation
4	00181254	1	Attention, Hydraulic Reservoir
5	07800040	1	Decal, Safety French/Spanish
6	07800039	1	Decal, Safety English
7	00181003	2	Decal, Park Brake
8	00180776	1	Decal, Belt Routing
9	07731400	2	Decal, Mower Pan Danger
10	07742300	1	Decal, Warning
11	00180693	1	Decal, HOC Index
12	00180779	1	Decal, Pump Belts
13	00181253	1	Decal, Lubrication Intervals
14	00180946	1	Decal, Deck Release Lever
15	07735400	1	Decal, Fuel

# DECALS – STYLE

Model 992220, 221, 222

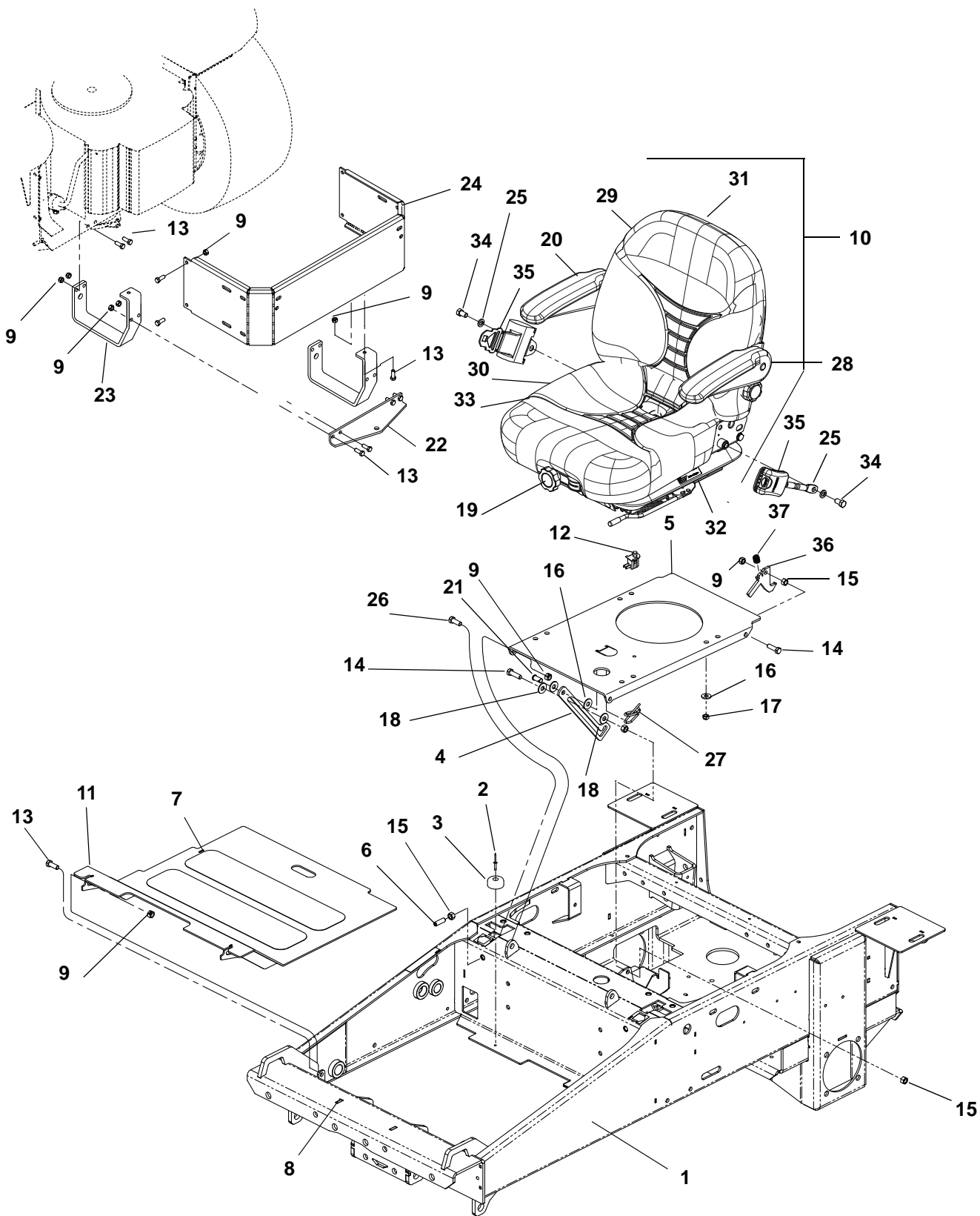


ProZoom\_style\_decal\_G

Item	Part No.	Qty.	Description
1	07800311	1	Decal, Pro-Ride 254 (992220)
	07800312	1	Decal, Pro-Ride 260 (992221)
	07800313	1	Decal, Pro-Ride 266 (992222)
2	08000526	1	Decal, Gravely Heritage, Large
3	05239900	1	Decal, 9.5" Gravely (Serials 101 – 2499)
4	04058900	1	Decal, Deck Size 54" (992220)
	03818400	1	Decal, Deck Size 60" (992221)
	07800038	1	Decal, Deck Size 66" (992222)

# SEAT, FOOT PLATE AND BUMPER

Model 992220, 221, 222



Seat and Engine Guard Plate\_G

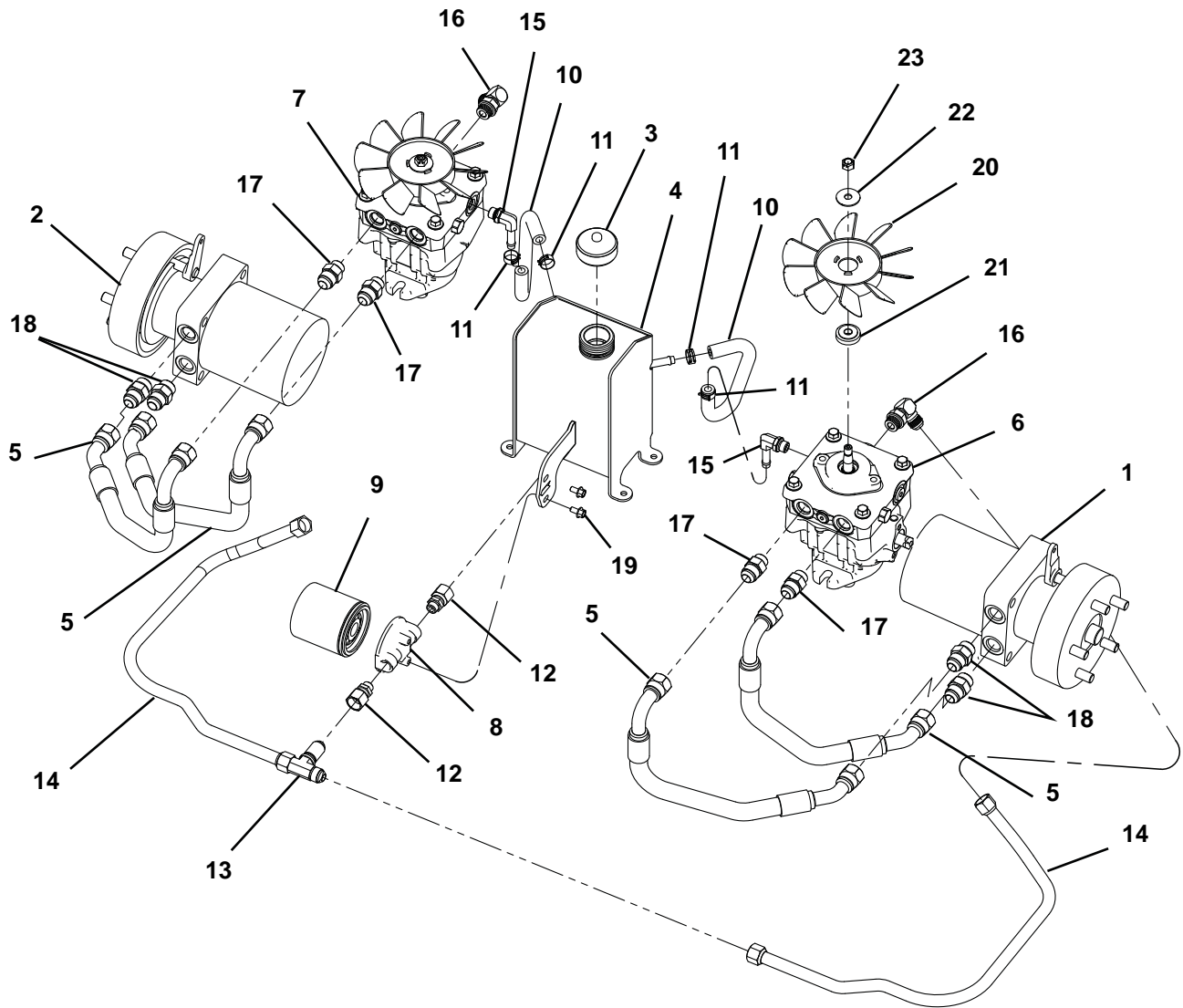
# SEAT, FOOT PLATE AND BUMPER

Model 992220, 221, 222

Item	Part No.	Qty.	Description
1	56496000	1	Assembly, Frame with Decals (992220) (Serials 101 – 2499)
	56496008	1	Assembly, Frame with Decals (992220) (Serials 2500 and up)
	56496001	1	Assembly, Frame with Decals (992221) (Serials 101 – 2499)
	56496009	1	Assembly, Frame with Decals (992221) (Serials 2500 and up)
	56496002	1	Assembly, Frame with Decals (992222) (Serials 101 – 2499)
	56496011	1	Assembly, Frame with Decals (992222) (Serials 2500 and up)
2	AA968100	4	Rivet, 3/16 x .500 Pop
3	00180390	4	Bumper, Rubber .625 x 1.50 DIA
4	00180391	1	Bar, Seat Lock
5	03817453	1	Plate, Seat
6	00962903	2	Set Screw, 3/8-16 x 3/4 ALHD CUP
7	00180658	3	Traction Tape, 4 x 18
8	00180659	1	Traction Tape, 2.5 x 21.5
9	06508000	18	Nut, Locking, Flange .375-16
10	03947200	1	Seat, Full Suspension (Includes items 12, 19, 20 and 28 - 33)
11	03817353	1	Foot Plate
12	02754100	1	Seat Switch S/O
13	05948700	4	Bolt, 3/8-16 x 1.00 Hex 5
14	05958000	1	Bolt, 3/8-16 x 1.25 Hex 5
15	06529400	4	Nut, 3/8-16 STD Hex
16	06435700	6	Washer, Flat, Steel .38 x .875 x .083
17	06530800	4	Nut, Crown .312-18
18	06435900	2	Washer, Flat, Steel .438 x 1.00 x .083
19	59208000	1	Kit, Seat Knob
20	59210400	2	Kit, RH Armrest Assembly
21	06814800	1	Pin, Clevis .38 x .75
22	03817253	1	Plate, Hitch
23	03771853	2	Arm, Hitch Support
24	03792253	1	Plate, Rear Bumper (Serials 101 – 2499)
	04307553	1	Plate, Gravely Bumper (Serials 2500 and up)
25	06309300	2	Washer, Locking .44 x .109 Regular
26	07070119	2	Bolt, Shoulder .5 x .106 x .38-16
27	00967353	1	Ring, Rue
28	59210500	1	Kit, LH Armrest Assembly
29	59208800	1	Kit, Back Cushion - Light Grey
30	59208900	1	Kit, Seat Cushion - Light Grey
31	59208100	1	Kit, Seat Back
32	59207900	1	Kit, Seat Slide
33	59207800	1	Kit, Seat Spring and Saddle
34	05918400	2	Bolt, Hex .44-20 x .75
35	00181572	2	Assembly, Seat Belt
36	03841451	1	Seat Latch
37	00160176	1	Spring, Com .600 x .056 x .875

# HYDRAULICS

Model 992220, 221, 222



hyd. EXPLODED schematic\_G



# HYDRAULICS

---

Model 992220, 221, 222

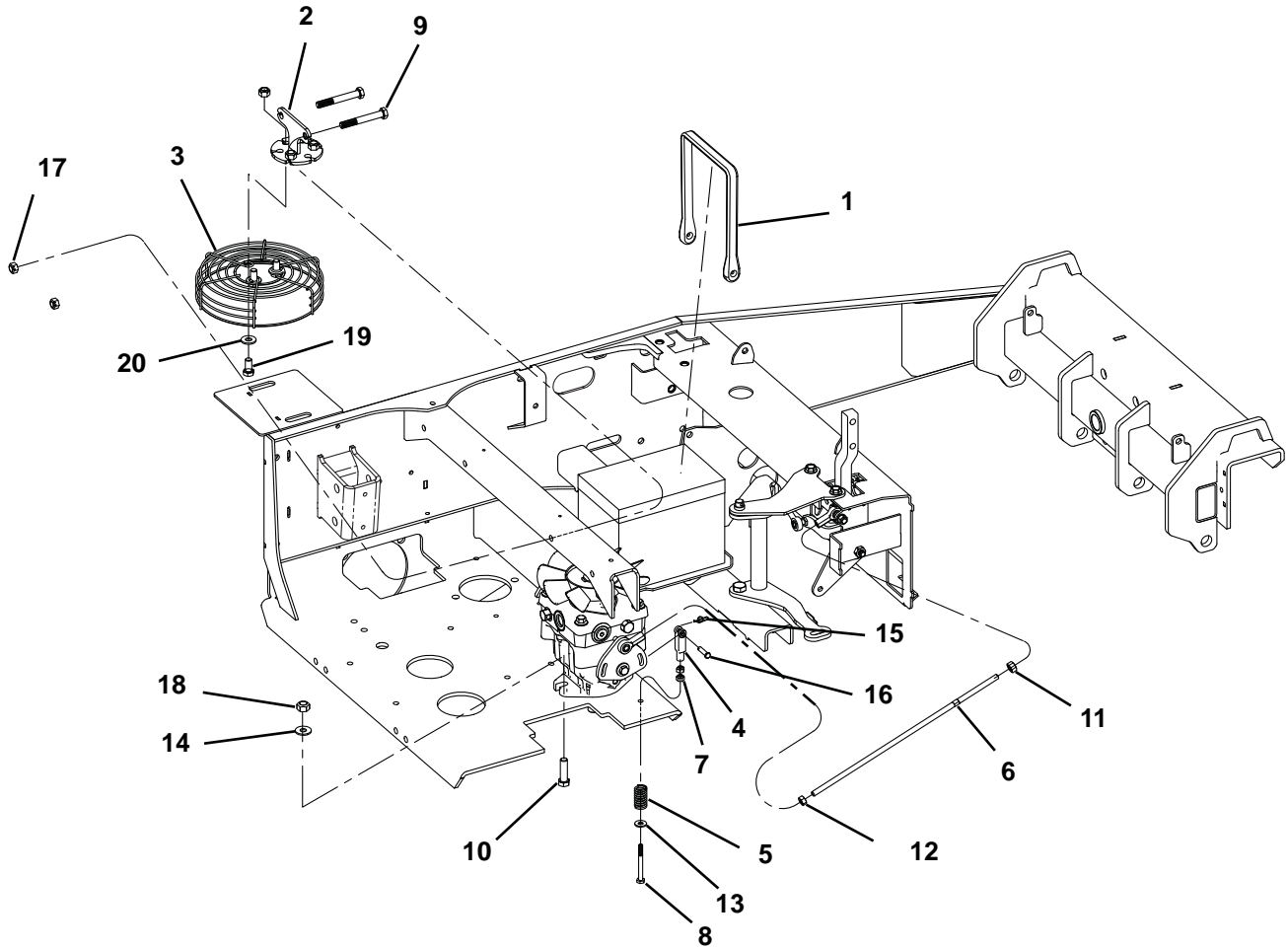
Item	Part No.	Qty.	Description
1	00180236	1	Motor, Left Hand Wheel
2	00180237	1	Motor, Right Hand Wheel
3	00181210	1	Cap, Oil Reservoir Breather
4	03819851	1	Weldment, Oil Tank
5	00180652	4	Hose, Hydraulic 5/8 x 18.75
6	00180831	1	Pump, LH BDP16A
7	00180832	1	Pump, RH BDP16A
8	00180908	1	Head, Filter
9	00180909	1	Filter, 25 MICRON
10	00180935	2	Hose, Hydraulic 3/8 x 12.5 Long
11	00180947	4	Clamp, .690 OD Hose PINCH
12	00181031	2	Fitting, #6 Male OR x #8 Female 37° JIC
13	00181032	1	Fitting, Bulk Head #8 JIC Tee
14	00181035	2	Hose, #8 TOC W/ # 8 SWL 37°JIC
15	D24028	2	Fitting, 9/16 MOR x 3/8 Hose 90°
16	D14196	2	Fitting, HYD Elbow 3/4 O-RING, 3/4JIC
17	00313290	4	Adapter, 3/4-16MOR x 7/8-14JIC
18	00313392	4	Adapter, 7/8-14MOR x 7/8-14JIC
19	AA963000	2	Bolt, 1/4-20 x .500 WSH 5
20	00180993	2	Fan, BDP16 Plastic Cooler
21	00180994	2	Hub, BDP16 Fan
22	00180995	2	Washer, .375 x 1.25 x .072 Bellville
23	00964066	2	Locknut, .38-24 Crown

**Not Shown:**

24	00181371	AR	Lever, S/O
25	00181066	AR	Kit, Motor Seal - DF280 S/O

# PUMP

Model 992220, 221, 222



Pump Components\_G

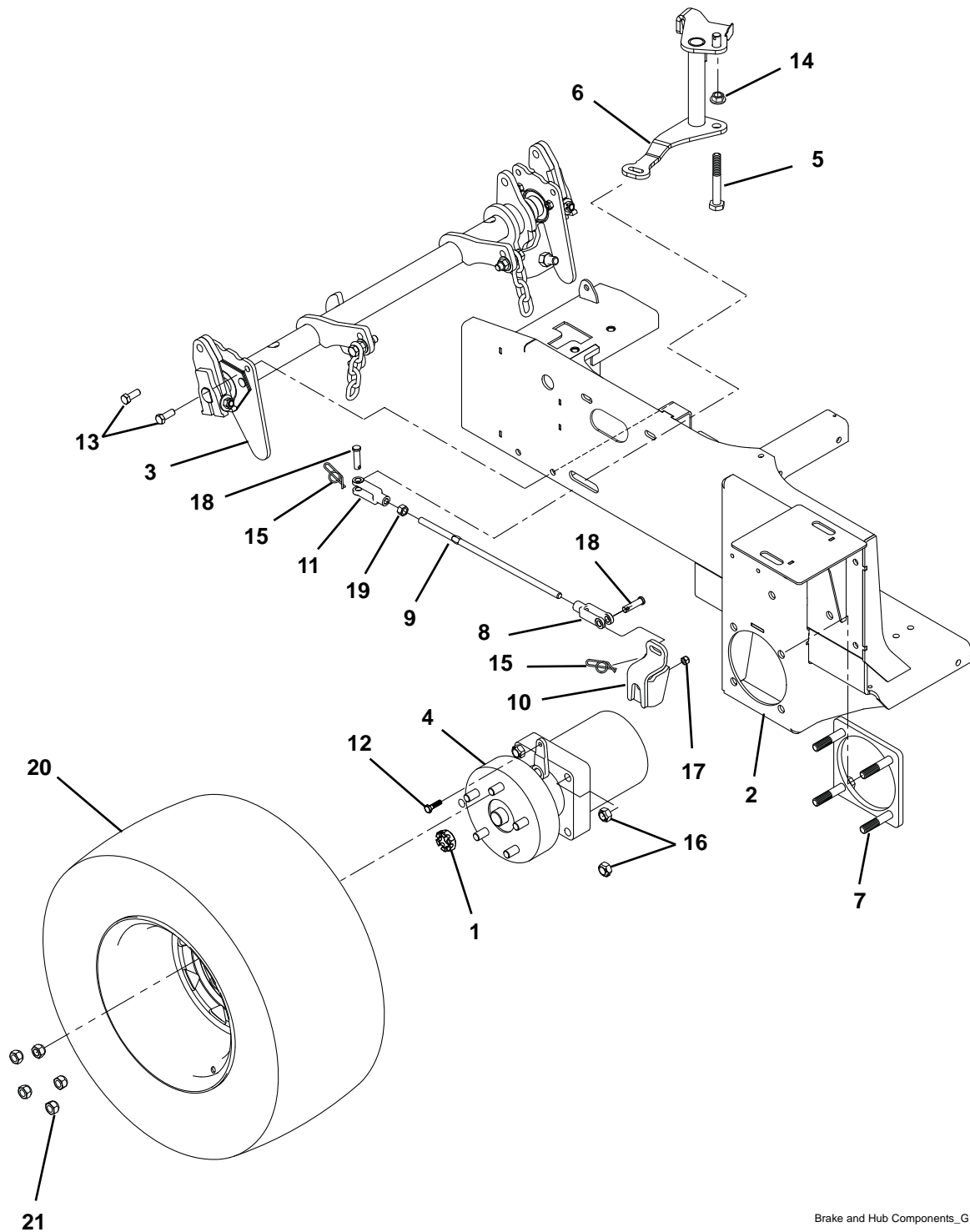
# PUMP

Model 992220, 221, 222

Item	Part No.	Qty.	Description
1	00181228	1	Band, 18"
2	03799751	2	Weldment, Fan Shield Mounting
3	00181341	2	Grill, 7" Fan
4	00180956	2	Yoke, 1/4-20 RH Adjustable
5	00180957	2	Spring, Compression .784 x .092 x 1.50
6	00180967	2	Pump Control Rod
7	06531000	4	Nut, Locking, Nylon .250-20
8	00967393	2	Bolt, 1/4-20 x 2.75 SOC 8
9	05961400	4	Bolt, 3/8-16 x 2.75 Hex 5
10	05962800	4	Bolt, 7/16-14 x 1.50 Hex
11	06529500	1	Nut, 5/16-24 STD Hex
12	06547200	1	Nut, 5/16-24 Hex LH
13	06435800	2	Washer, Flat, Steel .312 x .734 x .065
14	06435900	4	Washer, Flat Steel .438 x 1.00 x .083
15	00967350	2	Ring, Rue .250 x .041 x .844
16	06818500	2	Pin, CVS .250 x 1.00 x .859
17	06508000	8	Nut, Locking, Flange .375-16
18	06508200	4	Nut, Locking, Crown .437-14
19	05959400	6	Bolt, .38-16 x .750 Hex
20	06435700	6	Washer, Flat, Steel .38 x .875 x .083

# WHEELS AND BRAKE

Model 992220, 221, 222



Brake and Hub Components\_G

# WHEELS AND BRAKE

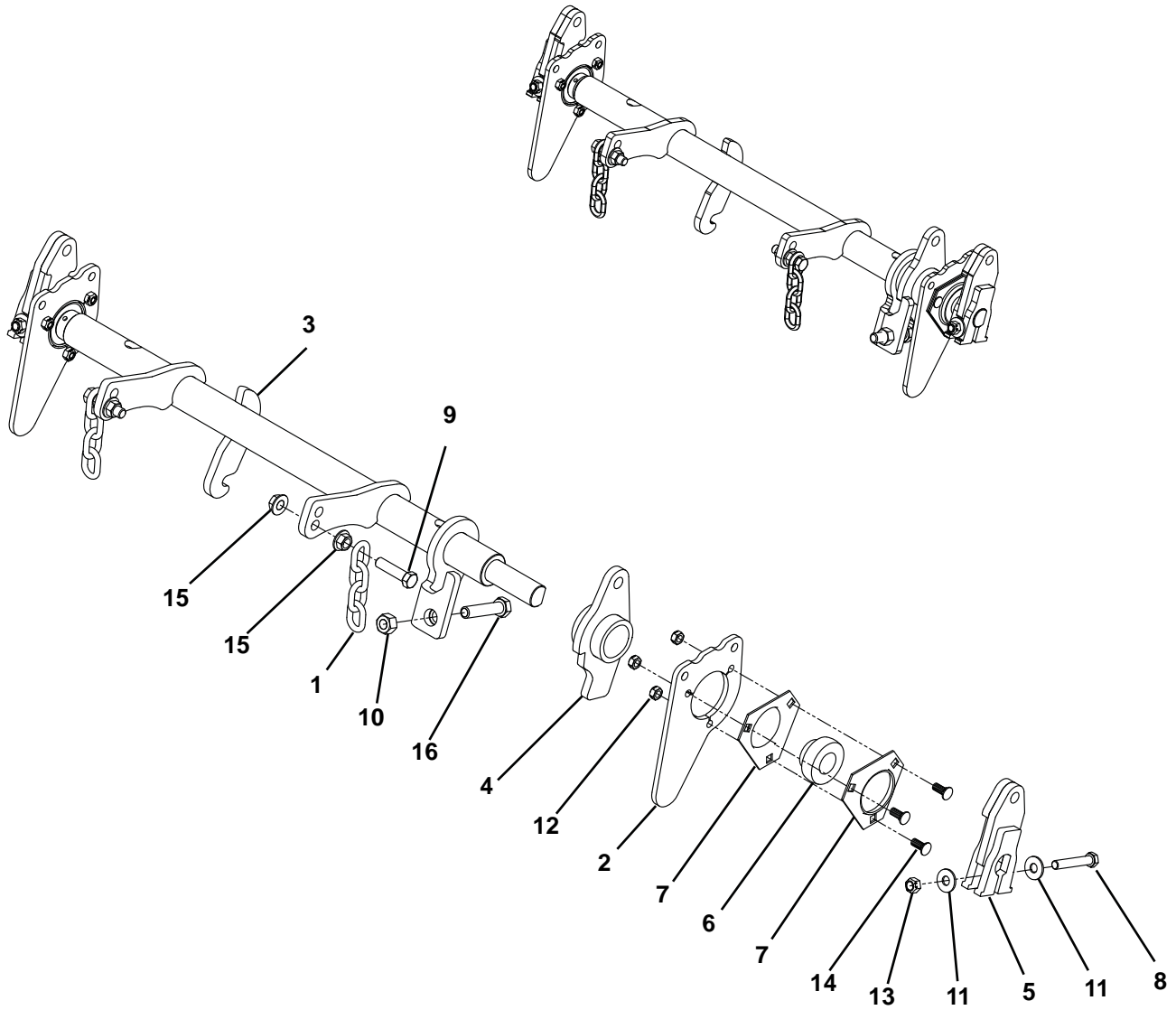
---

Model 992220, 221, 222

Item	Part No.	Qty.	Description
1	00191625	2	Nut, Hub Retaining Hydro-Gear Wheel Motor
2	03850400	1	Unibody Weldment w/Decals
3	NA	1	Rear Lift Rod Assembly (See "Lift Rod" on page 14.)
4	00180236	1	Motor, LH Wheel
	00180237	1	Motor, RH Wheel
5	00180354	4	Bearing Shield 1/2"
6	03833951	1	Park Brake Control Arm LH
	03833751	1	Park Brake Control Arm RH
7	03819751	2	Weldment, Wheel Motor Plate
8	00180968	2	Yoke, 3/8-24 LH Adjustable
9	00180981	2	Rod, Straight Park Brake Control
10	03976951	2	Weldment, Brake Arm EXT - Parker-Gear Wheel Motor
11	00251907	2	Yoke, 3/8-24 RH Adjustable
12	05947700	2	Bolt, 1/4-20 x 1.00 Hex 5
13	05948700	4	Bolt, 3/8-16 x 1.00 Hex 5
14	05965500	2	Bolt, 1/2-13 x 2.75
15	00967353	4	Ring, Rue .375 x .054 x 1.254
16	06537300	8	Nut, 1/2-13 STD HEX
17	06531000	2	Nut, Locking, Nylon .250-20
18	06820300	4	Pin, CVS .375 x 1.38 x 1.14
19	06522900	2	Nut, Hex .375-24
20	00180235	2	Assembly, Tire & Rim - 24 x 11.50-12
	07100208	2	TIRE W/O RIM, 24 x 12 x 12 S/O - TURF
	00181342	2	Rim 12 x 8.5 S/O
21	06553000	10	Nut, 1/2-20 Lug

# LIFT ROD

Model 992220, 221, 222



Lift\_Rod\_G

# LIFT ROD

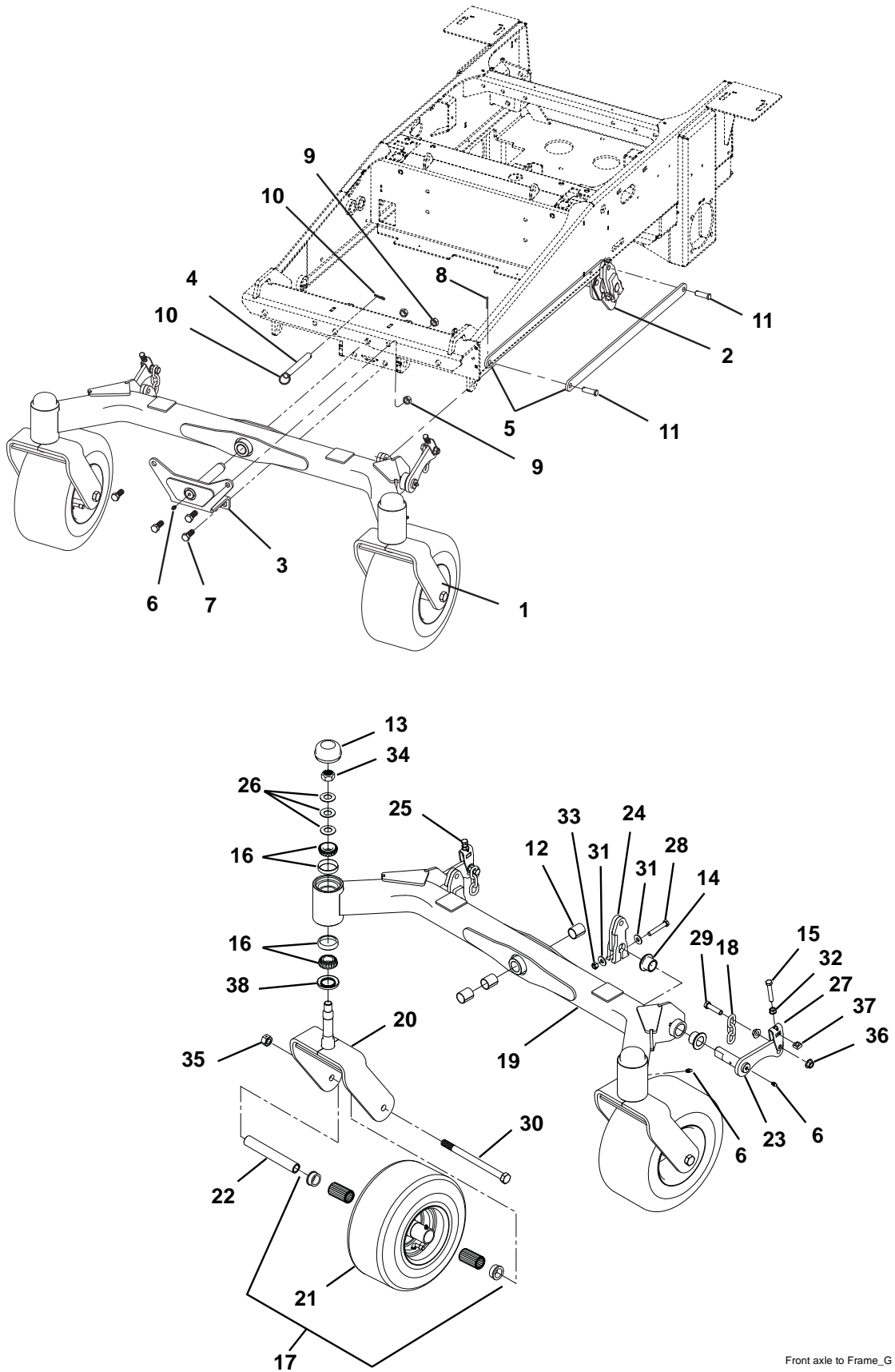
---

Model 992220, 221, 222

Item	Part No.	Qty.	Description
1	03845600	2	Chain, 4 Links 1/4"
2	03814751	2	Ball Bearing Plate
3	03814851	1	Center Lift Weldment
4	03815051	1	Weldment, HOC Rotation Adjustment
5	03815151	2	Front Pivot Clamp Weldment
6	00251060	2	Bearing
7	00251061	4	Flange, Bearing 52MM-3T
8	05962900	2	Bolt, 3/8-16 x 2.25 Hex
9	05982100	2	Bolt, 7/16-14 x 1-3/4
10	06537300	1	Nut, 1/2-13 STD Hex
11	06435900	4	Washer, Flat, Steel .438 x 1.00 x .083
12	06530800	6	Locknut, 5/16-18 Crown
13	06508000	2	Nut, Locking, Flange .375-16
14	06215700	6	Bolt, 5/16-18 x 3/4 CARR PLT
15	06530004	4	Locknut, 7/16-14 WHIZ
16	00967341	1	Bolt, 1/2-13 x 2.25 SPEC 5

# FRONT AXLE, CASTERS AND WHEELS

Model 992220, 221, 222



Front axle to Frame\_G



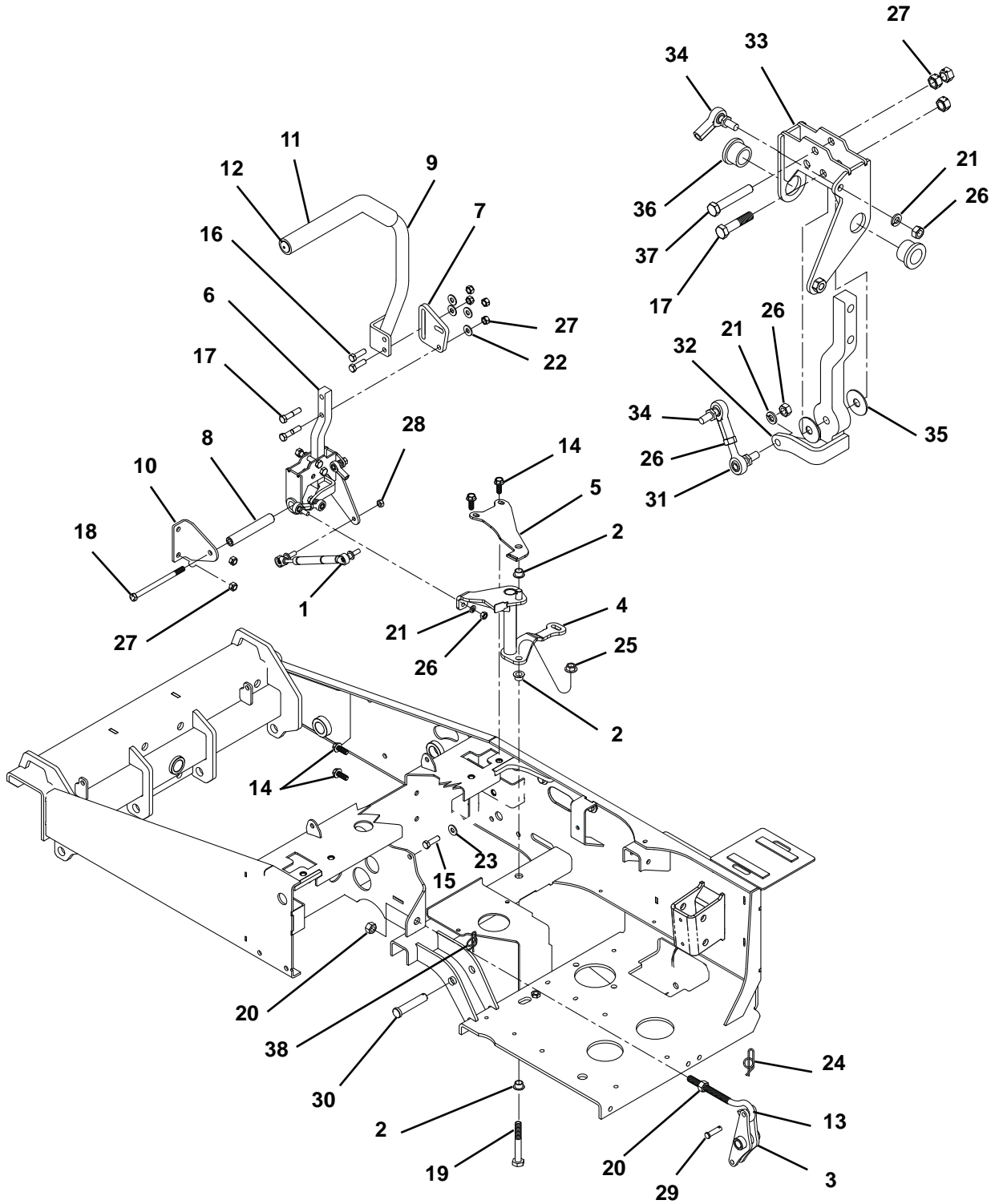
# FRONT AXLE, CASTERS AND WHEELS

Model 992220, 221, 222

Item	Part No.	Qty.	Description
1		1	Front Axle Frame Assembly (see view at bottom of p. 16 or see p. 14 for individual components)
2	00180085	1	Rear Lift Rod Assembly
3	03819153	1	Front Axle Bracket
4	00180830	2	Pin, MFG .625 x 5.00 x 4.38
5	03814451	4	Connector Link
6	00959995	5	Fitting, 1/4-28 Straight Grease Zerk
7	00960113	4	Bolt, 1/2-13 x 1.25 Hex 5
8	00967354	4	Ring, Rue .500 x .062 x 1.42
9	06528200	4	Nut, Locking, Cone
10	00967057	4	Ring, Wire - .080 x 1.25
11	06821700	4	Pin, CVS .500 x 1.50 x 1.27
12	00105591	3	Bearing, Sleeve 1.00 x 1.13 x 1.25
13	00105596	2	Cap
14	00130885	4	Bearing, Flange 1.00 x 1.25 x .944
15	00967396	2	Bolt, 3/8-16 x 2.25 HEX 5
16	00145555	4	Bearing Assembly, 1 in. Diameter Spindle
17	03872700	2	Kit, Bearings and Caps 1.00" (does not include tire and rim)
18	TCA12790	2	Chain - 3 Links
19	03815753	1	Front Axle Weldment
20	03821353	2	Weldment, Z Front Wheel Fork
21	00180256	2	Assembly, Tire & Rim - 13/6.50 x 6 Smooth (includes item 17)
	07100242		Assembly, Tire & Rim - 13/6.50 x 6 Ribbed
22	00180257	2	Tube, Front Tire Axle
23	03815851	1	Weldment, LH Front Pivot
	03815951	1	Weldment, RH Front Pivot
24	03815151	2	Weldment, Front Pivot Clamp
25	00181566	2	Assembly, Front Pivot (Includes items 15, 27, 32 and 37)
26	00180992	6	Washer, .750 x 1.50 x .072 BLVL
27	03816051	2	Link, U-Bracket
28	05962900	2	Bolt, 3/8-16 x 2.25 Hex 5
29	05901337	2	Bolt, Hex 7/16-14 x 2.00 Hex SPC
30	05984700	2	Bolt, 5/8-11 x 8.50 Hex 5
31	06435900	4	Washer, Flat, Steel .438 x 1.00 x .083
32	06534900	2	Locknut, 3/8-16 Whiz
33	06508000	2	Nut, Locking, Flange .375-16
34	06500031	2	Locknut, 3/4-16 Crown
35	06536300	2	Nut, Locking, Center .50-13
36	06530004	4	Locknut, 7/16-14 Whiz
37	00967395	2	Nut, 3/8-16 Square
38	00145552	2	Seal, 1.00 Roller Bearing

# STEERING CONTROLS

Model 992220, 221, 222



Steering\_Controls\_G

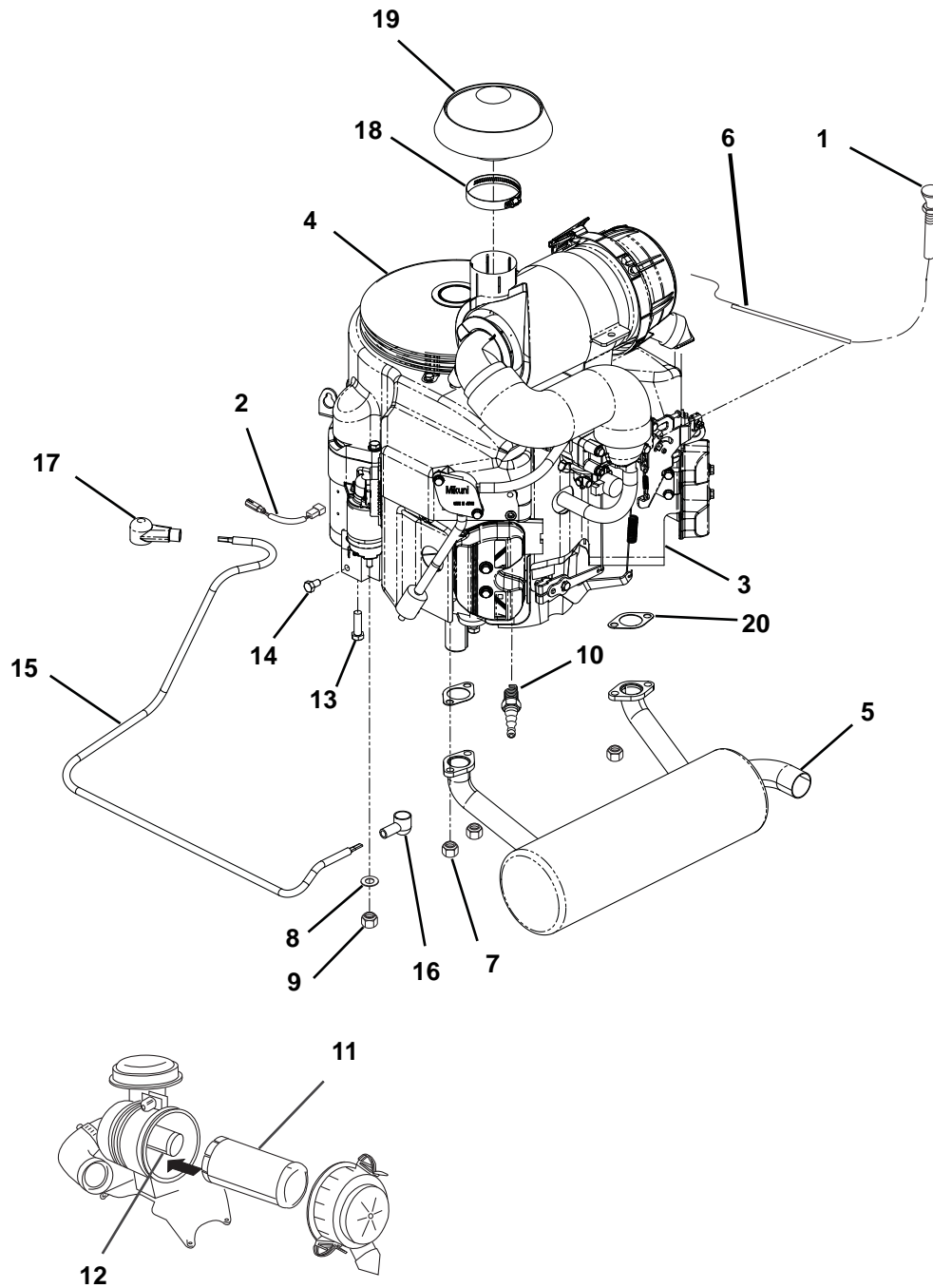
# STEERING CONTROLS

Model 992220, 221, 222

Item	Part No.	Qty.	Description
1	00180231	2	Dampner, Steering Control
2	00180354	6	Bearing Shield 1/2"
3	03814551	1	Spring Pivot Weldment
4	03833751	1	Park Brake Control Arm RH
	03833951	1	Park Brake Control Arm LH
5	03818951	1	Ear, RH Brake Pivot
	03819051	1	Ear, LH Brake Pivot
6	03816151	1	Handle Assembly RH
	03816351	1	Handle Assembly LH
7	03818251	2	Handle Height Plate
8	00180543	2	Tube, Round .750 x .179 x 4.69
9	03818051	1	Weldment, RH Steering Handle
	03818151	1	Weldment, LH Steering Handle
10	03819251	2	Plate, Bent
11	00180617	2	Grip, Foam (Serials 101 – 2499)
	04311900	2	Grip, Foam (Serials 2500 and up)
12	00180639	2	Plug, 7/8" End (Serials 101 – 2499)
13	00250356	1	Eyebolt, .5 x 6.9
14	00960044	8	Bolt, 3/8-16 x 1.00 FGH 8
15	05959400	4	Bolt, 3/8-16 x .750 Hex 5
16	05958000	4	Bolt, 3/8-16 x 1.25 Hex
17	05958500	6	Bolt, 3/8-16 x 1.75 Hex 5
18	05982000	2	Bolt, 3/8-16 x 5.50 Hex 5
19	05965500	2	Bolt 1/2-13 x 2.75
20	06537300	2	Nut, 1/2-13 STD Hex
21	06308600	6	Washer, Locking .31 x .078 Regular
22	06435700	8	Washer, Flat, Steel .38 x .875 x .083
23	06435900	2	Washer, Flat, Steel .438 x 1.00 x .083
24	00967353	2	Ring, Rue .375 x .054 x 1.254
25	06528200	2	Nut, Locking, Cone
26	06529500	8	Nut, 5/16-24 STD Hex
27	06508000	18	Nut, Locking, Flange .375-16
28	06549300	4	Nut, Locking Top M8-1.25 Crown
29	06820300	2	Pin, CVS .375 x 1.38 x 1.14
30	06823200	1	Pin, CVS .625 x 3.00 x 2.77
31	00180249	2	Ball Joint RH 5/16 Male W/ STD
32	03816151	1	Bar Weldment, RH Steering
	03816351	1	Bar Weldment, LH Steering
33	03816251	1	Handle, Control Weldment, RH
	03816451	1	Handle, Control Weldment, LH
34	00180606	4	Ball Joint, RH 5/16 Female W/STD
35	00180961	4	Nylon Washer, 1.27 OD x .400 ID
36	00252126	4	Bushing, .750 x 1.00 x .750
37	05962900	2	Bolt, 3/8-16 x 2.25 Hex 5
38	00967356	1	Ring, Rue .625 x .072 x 1.690

# ENGINE AND EXHAUST

Model 992220, 221, 222



Engine Components\_G

# ENGINE AND EXHAUST

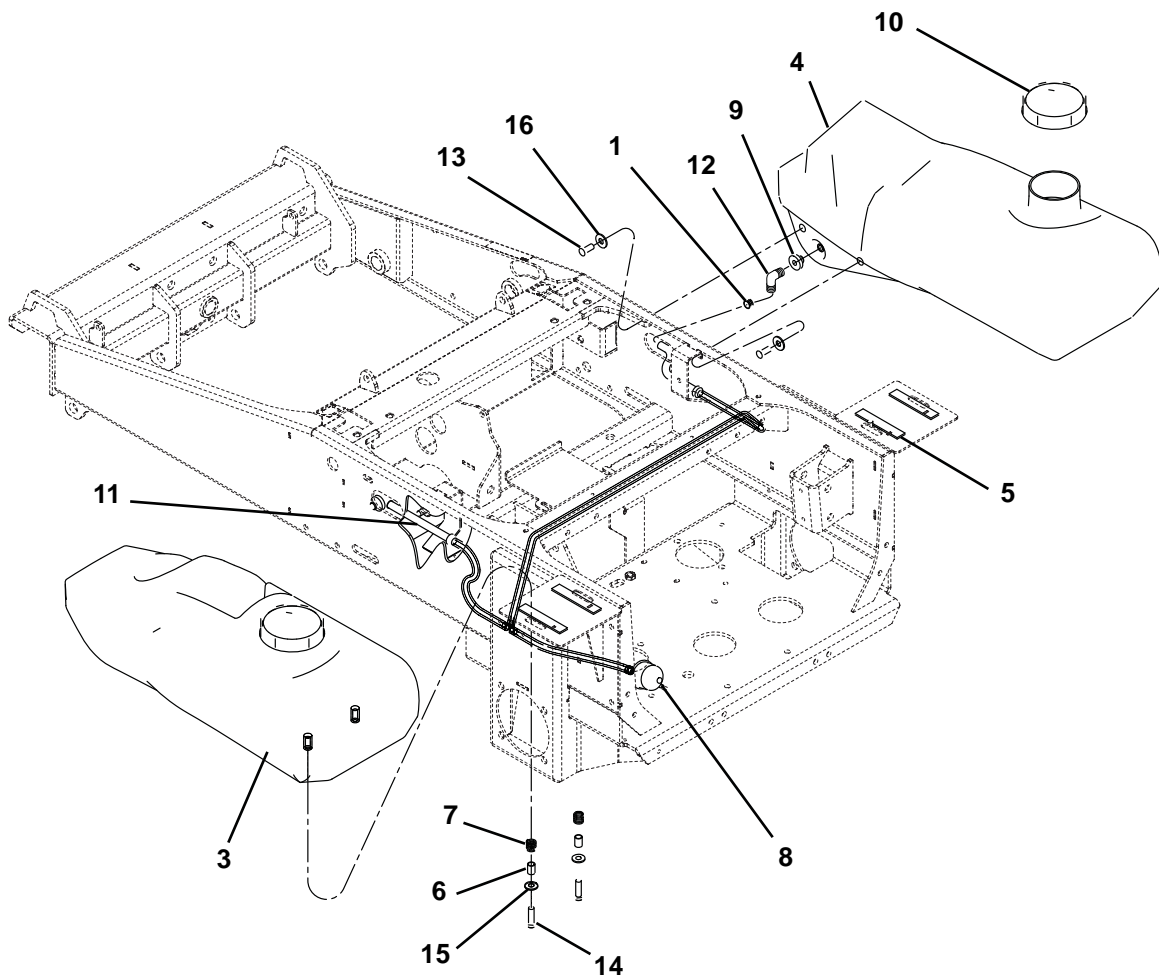
---

Model 992220, 221, 222

Item	Part No.	Qty.	Description
1	00180273	1	Cable, Choke 48" (Serials 101 – 2499; see page 26 for Serials 2500 and up)
2	03286700	1	Lead, Starter Solenoid
3	21535800	1	Oil Filter
4	08200327	1	Engine, Kawasaki 27 HP
	08200328	1	Engine, Kawasaki 31 HP
5	01057000	1	Muffler, Kawasaki Horizontal
6	03798600	1	Wire Harness, Kawasaki (see page 26-27)
7	21549901	4	Nut, Exhaust Man. Subaru EH
8	06318200	1	Washer, M8 Spring Lock
9	00961553	1	Nut, M8 x 1.25 Hex Grade 8.8
10	21536100	1	Spark Plug
11	21545400	1	Filter, Outer Air
12	21545300	1	Filter, Inner Air
13	05900125	4	Bolt, Hex .38-16 x 1.25 FTHG5
14	00961281	1	Bolt, M8 x 1.25 x 14 Hex 8.8
15	03821000	1	Cable, Battery- 42" Positive
16	07533200	1	Boot, Eyelet Terminal
17	00525800	1	Battery Terminal Boot, Red
18	06900339	1	Clamp, Hose 2.75 Diameter Worm (992222, 209)
	06900426	1	Clamp, Hose 2.75 Diameter Worm (992220, 210)
19	03820900	1	Rain Cap, Air Cleaner (992222)
	04088900	1	Rain Cap, Air Cleaner (992220, 221)
20	00191627	2	Gasket, Muffler S/O

# FUEL TANKS

Model 992220, 221, 222 Serials 101 – 2499

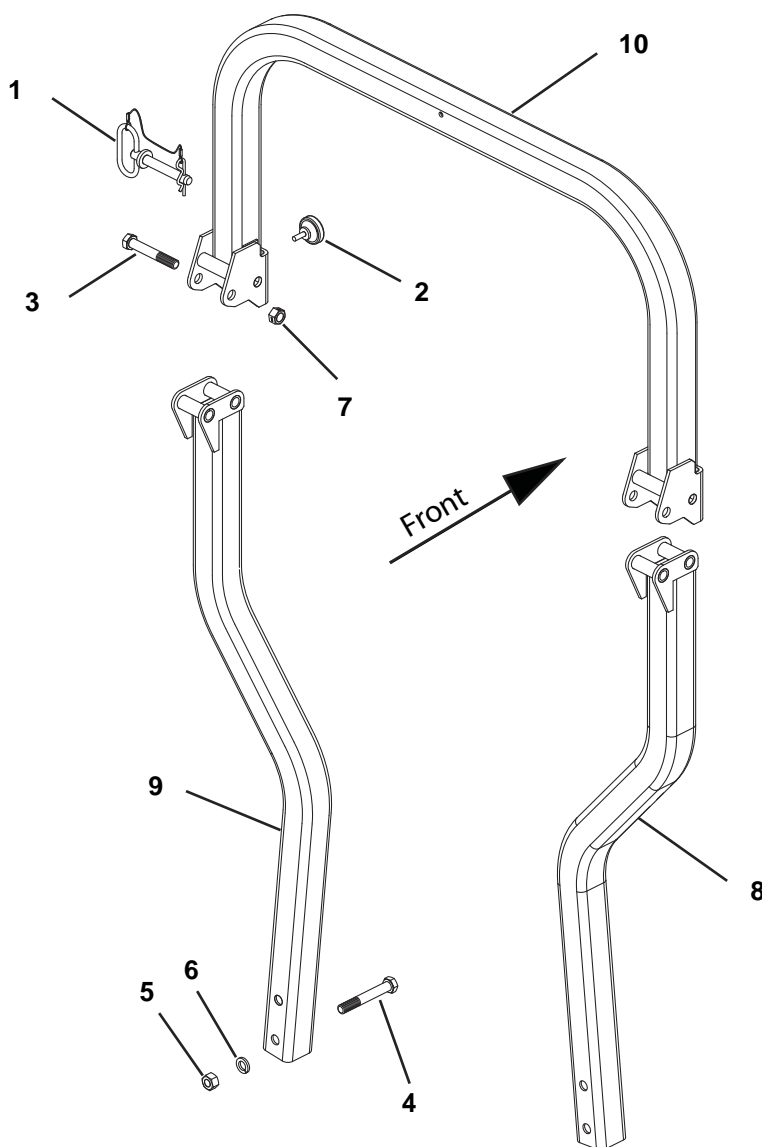


Fuel\_Tank\_G

Item	Part No.	Qty.	Description
1	00130924	3	Clamp, 1/2 Spring Hose
2		1	Frame w/Decals (See pages 6-7)
3	03793800	1	Tank, LH Midmount Blank w/Cap
4	03793900	1	Tank, RH Midmount Blank w/Cap
5	00180897	4	Foam, .125 x .750 x 4.00
6	00181023	4	Spacer, Gas Tank Attachment
7	00181027	4	Spring, Compression .660 x .067 x .625
8	21538400	1	Fuel Filter
9	00181208	2	Grommet, Tank Fitting Rubber
10	00181251	2	Fuel Cap
11	00191282	1	Assembly, Fuel Line w/Checkvalves
12	00191605	2	Fitting, 90 Degree
13	00960045	4	Bolt, 3/8-16 x .750 Hex
14	05958000	4	Bolt, 3/8-16 x 1.25 Hex
15	06435700	4	Washer, Flat, Steel .38 x .875 x .083
16	00960702	4	Washer, .375 REG Flat

# ROPS

Model 992220, 221, 222

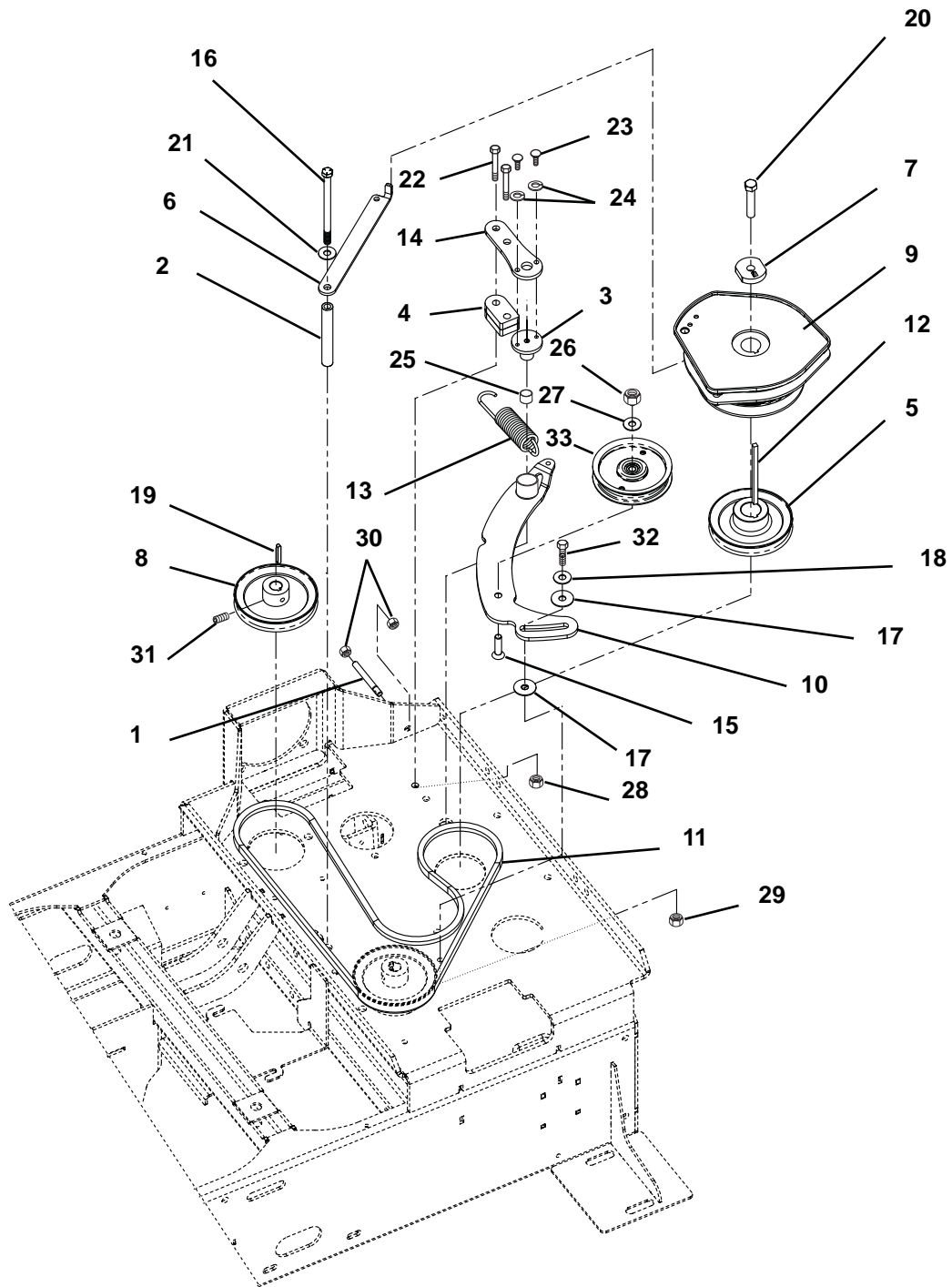


Rops\_G

Item	Part No.	Qty.	Description
1	00181591	2	ROPS Lock Pin Assembly
2	00181592	2	5/16 x 3/4" Round Knob
3	05960000	2	1/2 x 3-1/4" Hex Bolt
4	05965800	4	1/2 x 3-1/2" Hex Bolt
5	06537300	4	1/2" Hex Nut
6	06307300	4	1/2" Spring Lock Washer
7	06536300	4	1/2" Center Lock Nut
8	NA	1	Right Side Base Weldment
9	NA	1	Left Side Base Weldment
10	NA	1	Center Tube Weldment

# CLUTCH AND BELT

Model 992220, 221, 222



Clutch\_Belt\_G



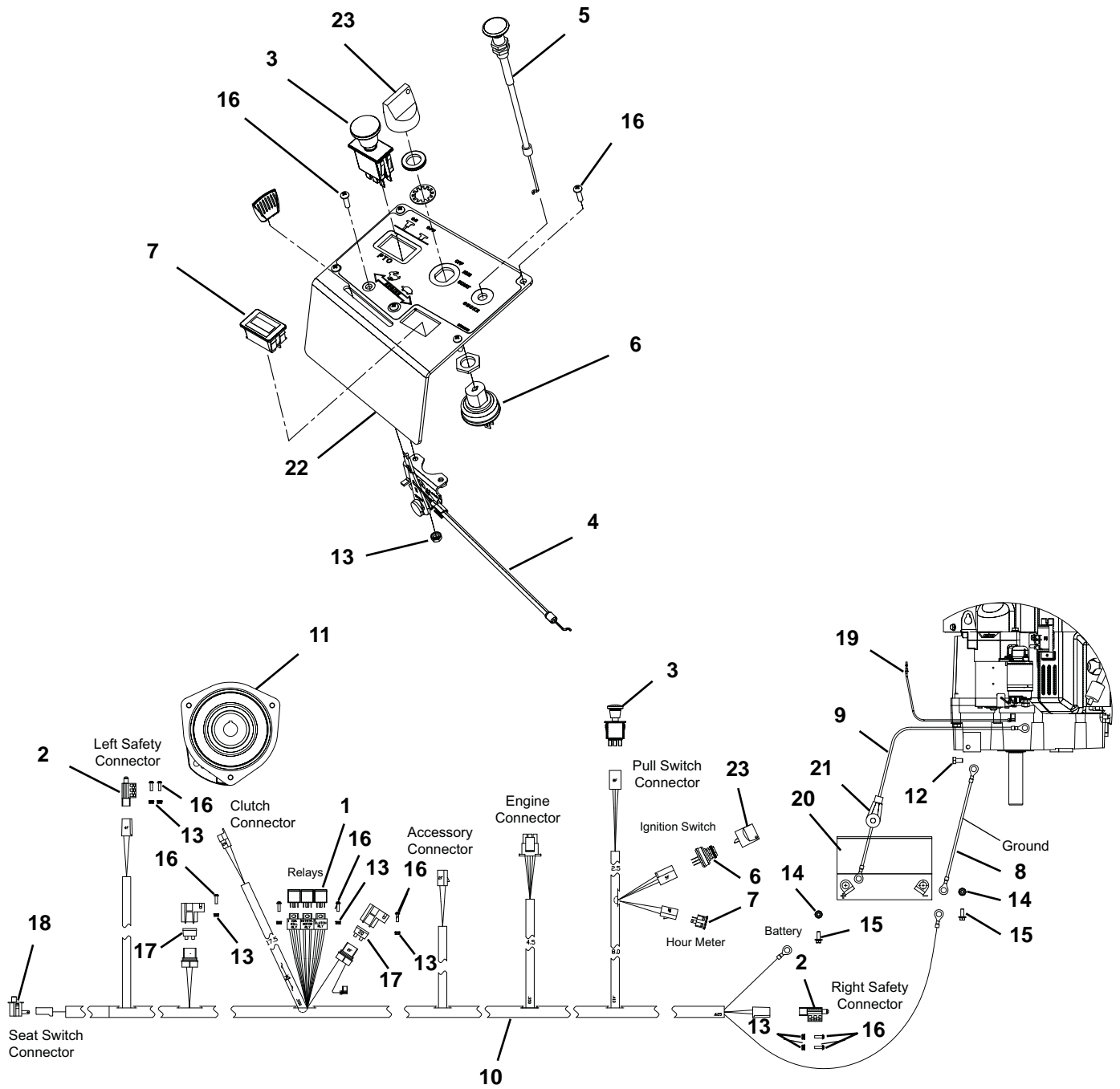
# CLUTCH AND BELT

Model 992220, 221, 222

Item	Part No.	Qty.	Description
1	00104024	1	Rod, Threaded Adjustment
2	03821751	1	Tube, RD .625 x .120 x 4.50
3	03791600	1	Pin, Tensioner Pivot
4	03791351	2	Plate, Spacer, Pump Tensioner
5	00180641	1	Pulley, V-Belt 5.00 x 1.13 w/key
6	03821651	1	Plate, Clutch Stop
7	03821851	1	Washer, Clutch Universal
8	00180836	2	Pulley, Pumps 4.78 PD 17MM
9	00180923	1	Clutch, ELECT - OGURA, GT3.5
10	03791151	1	Z Pump Belt Idler Arm Weldment
11	00181727	1	Belt, HA 64.2 EL (Hydraulic Pump)
12	00180962	1	Key, .25 x .25 x 4.62 SQr
13	00180999	1	Spring, EXT 1.188 x .162 x 4.25
14	03791251	1	Plate, Pump Tensioner Top
15	05901332	1	Bolt, .38-16 x 1.50 Flat Socket
16	05982000	1	Bolt, 3/8-16 x 5.50 HEX 5
17	00180961	2	Washer, .400 x 1.27 x .062 Nylon
18	06400902	1	Washer, .406 x 1.00 x .060 Flat
19	00966053	2	Key, M5 x M5 x M36 RE
20	05900040	1	Bolt, 7/16-20 x 2.25 HEX 5 EP80
21	06308800	1	Washer, Locking .38 x .094 Regular
22	00960050	2	Bolt, .38-16 x 2.00 Hex 5
23	05947900	2	Bolt, 1/4-20 x .500 Hex 5
24	06308400	2	Washer, Locking .25 x .062 Regular
25	00105546	1	Bearing, Sleeve .753 x .878 x .750
26	06534900	1	Nut, Spin Lock, Flange .375-16
27	00164038	1	Washer, .390 x .750 x .080 Flat
28	06508000	2	Nut, Locking, Flange .375-16
29	06530400	1	Nut, Spin Lock, Flange .312-18
30	06529400	2	Nut, .38-16 Standard Hex
31	00967343	4	Set Screw, 5/16-18 x .625 Square Cup
32	05901331	1	Bolt, .38 x .500 x 5/16-18
33	07336200	1	Pulley, Flat, 4.50 x .669 w/Brg

# ELECTRICAL SYSTEM

Model 992220, 221, 222



Electrical\_System\_G

# ELECTRICAL SYSTEM

---

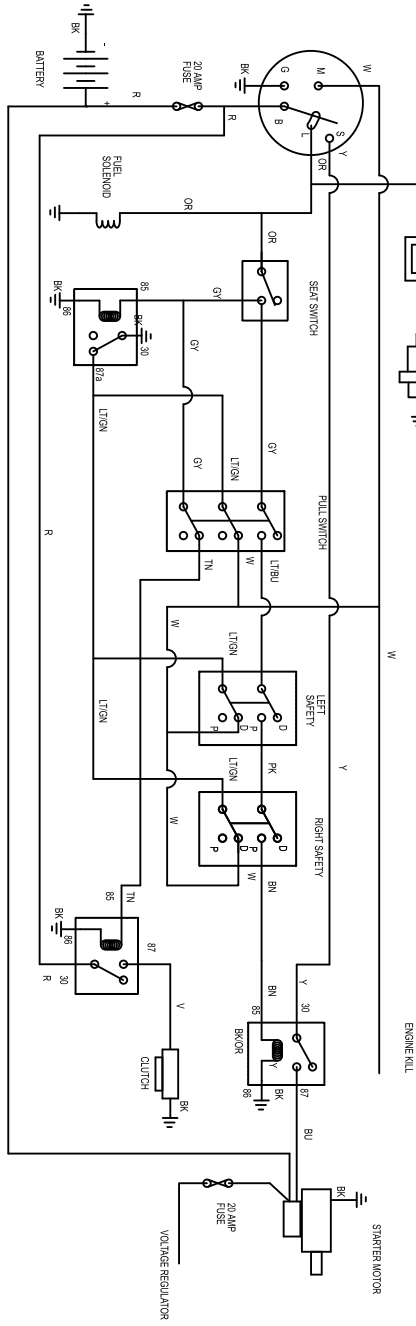
Model 992220, 221, 222

Item	Part No.	Qty.	Description
1	00102770	3	Relay, ISO Mini Electric
2	00191256	2	Switch, Plunger
3	00136574	1	Switch, Clutch (Serials 101 – 2499)
	04311800		Switch, Clutch (Serials 2500 and up)
4	03858700	1	Cable, Pro-Control Throttle (Serials 101 – 2499)
	06900412		Cable, Pro-Control Throttle (Serials 2500 and up)
5	00180273	1	Cable, Pro-Control Choke (Serials 101 – 2499)
	06900411		Cable, Pro-Control Choke (Serials 2500 and up)
6	00464000	1	Switch, Ignition (Includes item 23)
7	00192296	1	Meter, Hour-LCD ALT (Serials 101 – 2499)
	03966800		Meter, Hour-LCD ALT (Serials 2500 and up)
8	AA201019	1	Cable, Battery - 25" Ground
9	03821000	1	Cable, Battery - 42" Positive
10	03798600	1	Harness, Wiring
11	00180923	1	Clutch, Electric - OGURA, GT3
12	00961281	1	Bolt, M8 x 1.25 x14 Hex 8.8
13	00130923	14	Locknut, 10-24 KEPS (Serials 101 – 2499)
	06536000	4	Locknut, 10-24 KEPS (Serials 2500 and up)
14	06530100	2	Nut, Locking, Flange .25-20
15	06006127	2	Bolt, 1/4-20 x .625 WSH
16	00967340	14	Screw, Hex, Flange .25-20 x .625
	06100211	3	Screw, Machine 10-24 x .38 HWH Stainless (Serials 2500 and up)
	06116700	4	Screw, Machine 10-24 x .50 HWH (Serials 2500 and up)
17	00191262	2	Fuse, 20 AMP Blade S/O
18	02754100	1	Seat Switch
19	03286700	1	Lead, Starter Solenoid
20	00181779	1	Battery, 12V
21	00525800	1	Battery Terminal Boot, Red
22	03816551	1	Control Panel (Serials 101 – 2499)
	03961651	1	Control Panel (Serials 2500 and up)
23	09287000	1	Key, w/Shield

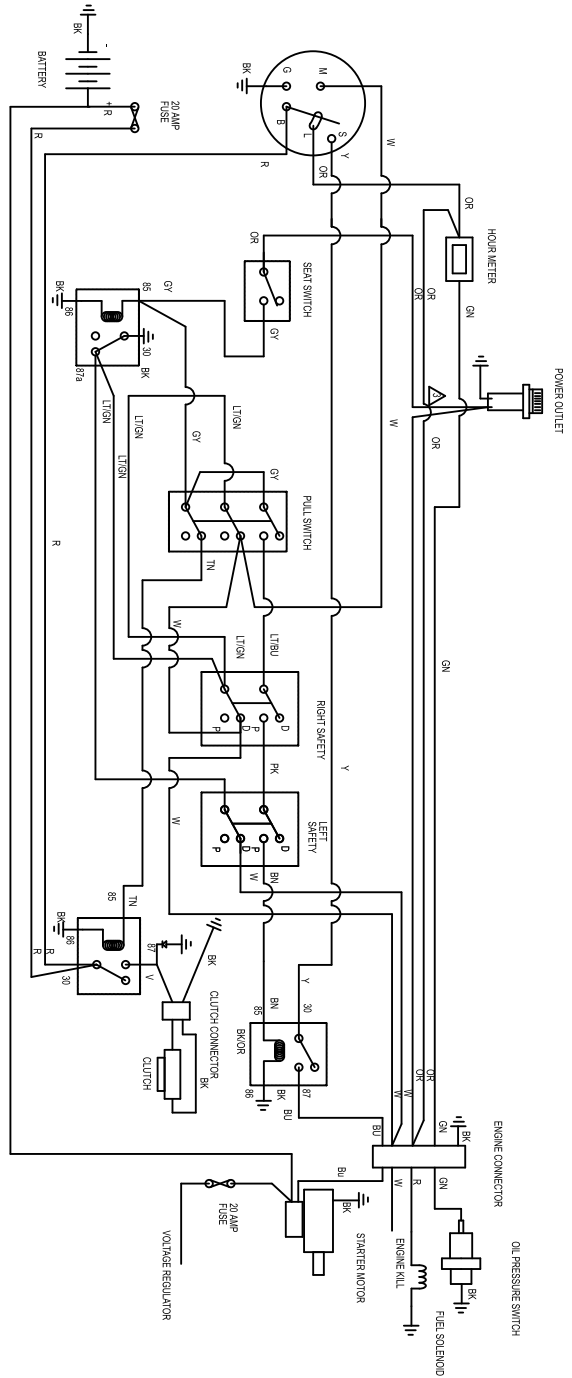
# ELECTRICAL SCHEMATIC

Model 992220, 221, 222

W WHITE  
 BR BLACK  
 BRN BROWN  
 R RED  
 OR ORANGE  
 Y YELLOW  
 GN GREEN  
 BU BLUE  
 V VIOLET  
 GY GRAY  
 TN TAN  
 PK PINK  
 LTN LIGHT GREEN  
 LTB LIGHT BLUE



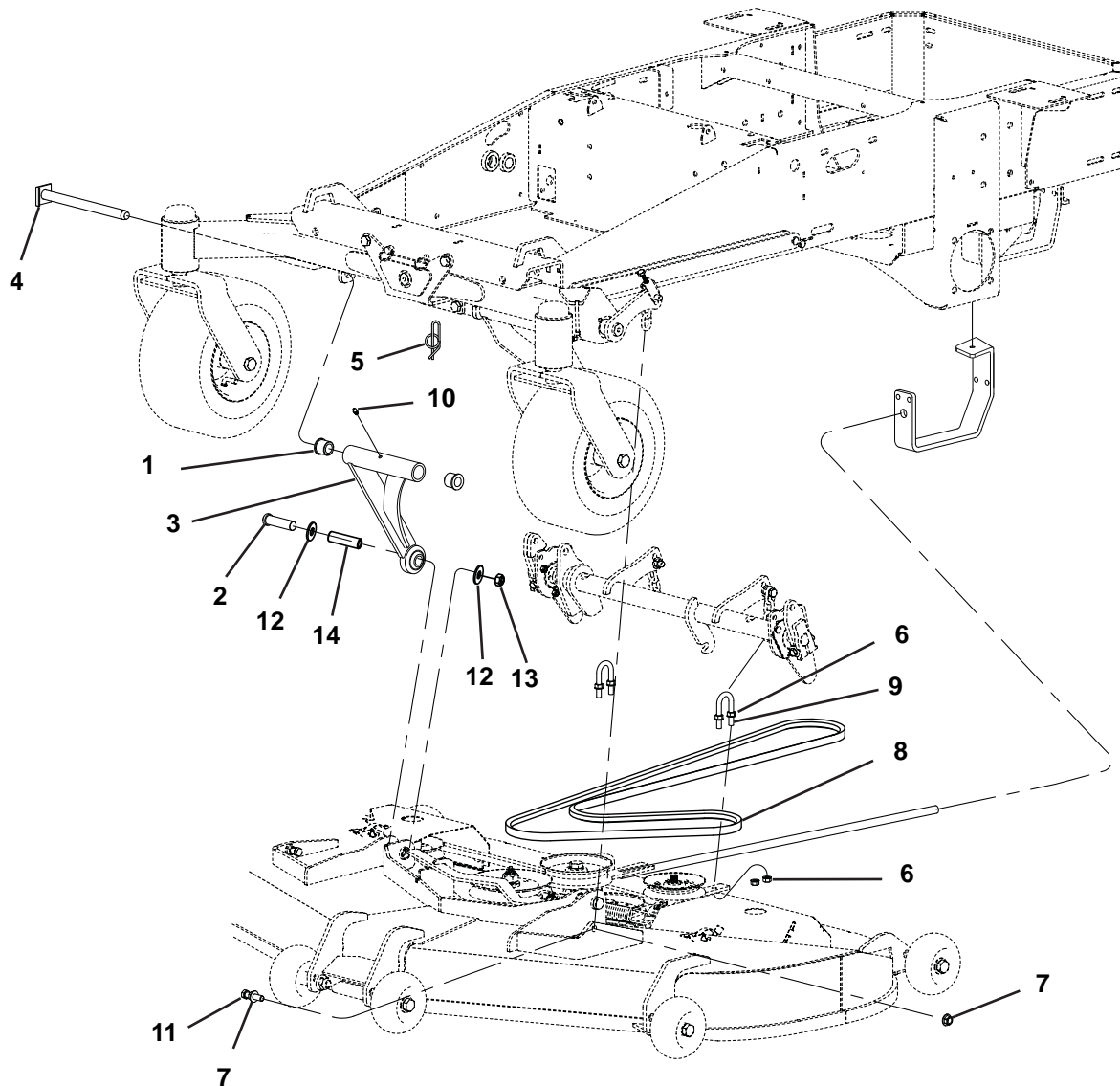
## SCHEMATIC



Electrical\_Schematics\_G

# DECK MOUNT

Model 992220, 221, 222

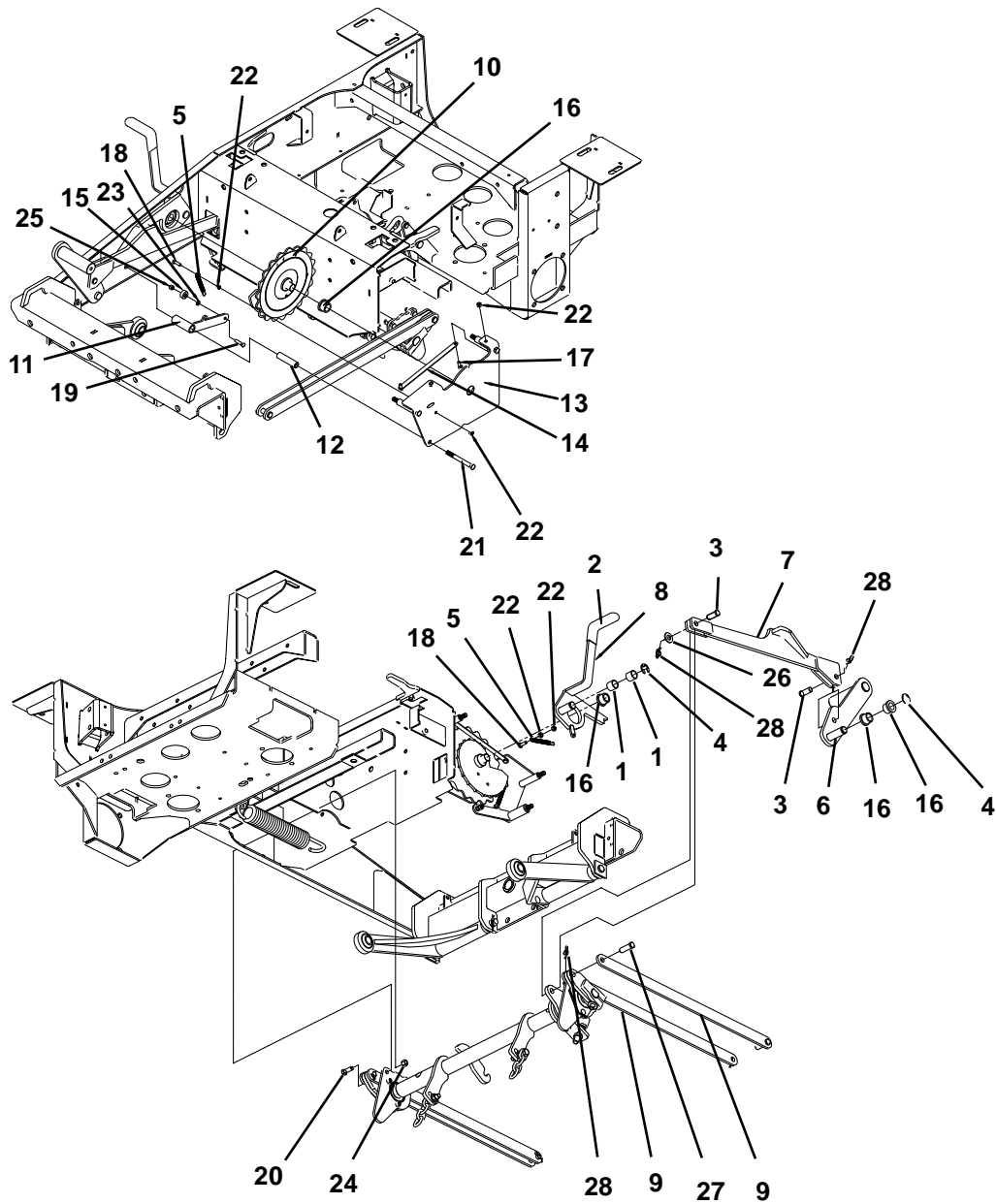


Deck\_Mount\_G

Item	Part No.	Qty.	Description
1	00150079	4	Bushing, 3/4 I.D.
2	05965800	2	Bolt, .50-13 x 3.50 Hex 5
3	03814051	2	Weldment, Deck Pull 11.5
4	00180224	2	Weldment, Drag Link Pin
5	00967357	2	Ring, Rue .750 x .080 x 2.081
6	06534900	8	Nut, Spin Lock, Flange .375-16
7	06530004	4	Locknut, 7/16-14 Whiz
8	00181715	1	Belt, B112 Kevlar (Clutch to Deck)
9	00181485	2	U-Bolt Special
10	00959995	2	Fitting, 1/4-28 Straight Grease Zerk
11	05982100	2	Bolt, 7/16-14 x 1-3/4
12	06442000	6	Washer, Flat, Steel .563 x 1.38 x .109
13	06528200	6	Nut, Locking, Cone
14	03856600	2	Tube, RD .750 x .125W x 2.469

# MOWER DECK LIFT

Model 992220, 221, 222



Mower\_Deck\_Lift\_G

# MOWER DECK LIFT

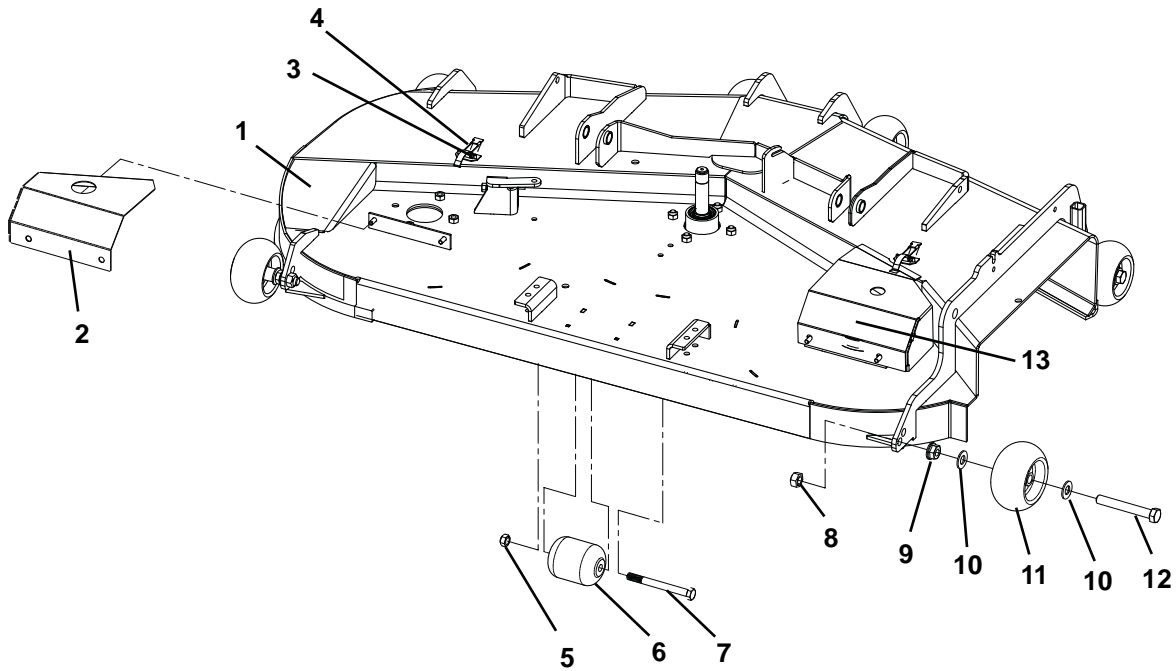
---

Model 992220, 221, 222

Item	Part No.	Qty.	Description
1	00105546	2	Bearing, Sleeve .753 x .878 x .750
2	00105593	1	Grip, Rubber Lever
3	06821600	2	Pin, Clevis .500 x 1.25 x 1.02 Y
4	05700134	2	E-Ring, .750 x .050
5	00135292	2	Spring, EXT .375 x .055 x 2.25
6	03814251	1	Weldment, Foot Arm
7	03814151	1	Weldment, Foot Connector
8	03814351	1	Weldment, Transportation Lock
9	03814451	4	Plate, Connector Link
10	00181261	1	Assembly, Cam Control w/Decals S/O
11	00181338	1	Weldment, Arm
12	00181389	3	Tube, .625 x .120 x 2.53
13	03799953	1	Plate, HOC Indicator
14	03800053	1	Plate, Finger Guard
15	00191185	1	Bearing, Ball .250 x .688 x 313
16	00252126	4	Bushing, .750 x 1.00 x .750
17	05947900	2	Bolt, 1/4-20 x .500 HEX 5
18	05946800	2	Bolt, 1/4-20 x .750 HEX 5
19	05947700	1	Bolt, 1/4-20 x 1.00 HEX 5
20	05948700	4	Bolt, .38-16 x 1.00 HEX 5
21	05960900	3	Bolt, 3/8-16 x 3.50 HEX 5
22	06533200	6	Nut, 1/4-20 STD HEX
23	06449100	1	Washer, Flat, Steel M6 7 x 13 x 1.5
24	06508000	4	Nut, Locking, Flange .375-16
25	06531000	1	Nut, Locking, Nylon .250-20
26	06441900	1	Washer, Flat, Steel .531 x 1.06 x .095
27	06821700	4	Pin, Clevis .500 x 1.50 x 1.27
28	00967354	6	Ring, Rue .500 x .062 x 1.420

# MOWER DECK, ANTI-SCALP WHEELS AND BELT COVERS

Model 992220, 221, 222



Anti-Scalp Wheels\_Deck\_G

Item	Part No.	Qty.	Description
1	56496004	1	Assembly, 54" Deck w/Decals
	56496005	1	Assembly, 60" Deck w/Decals
	56496006	1	Assembly, 66" Deck w/Decals
2	03799253	1	Shield Deck LH Belt - 60"
	03821953	1	Shield Deck LH Belt - 66"
3	00180501	2	Latch, Overcenter
4	00104834	4	Rivet, Pop .753 x .878 x .750
5	06528200	1	Nut, Locking, Cone
6	00161573	1	Roller, Ø3.00 x 3.88
7	05962900	1	Bolt, Hex .38-16 x 2.25
8	06518700	6	Nut, Locking, Top .62-11 (ND)
9	06500509	6	SRATD Flange Hex Nut 518-11
10	06442800	12	Washer, Flat, Steel .656 x 1.31 x .095
11	00162701	6	Wheel, Gauge - Ø5.00 x 2.76
12	05983100	6	Bolt, 5/8-11 x 4.25 Hex 5
13	03799153	1	Shield, RH 54" and 60" Belt (992220, 221)
	03822053	1	Shield, RH 66" Belt (992222)

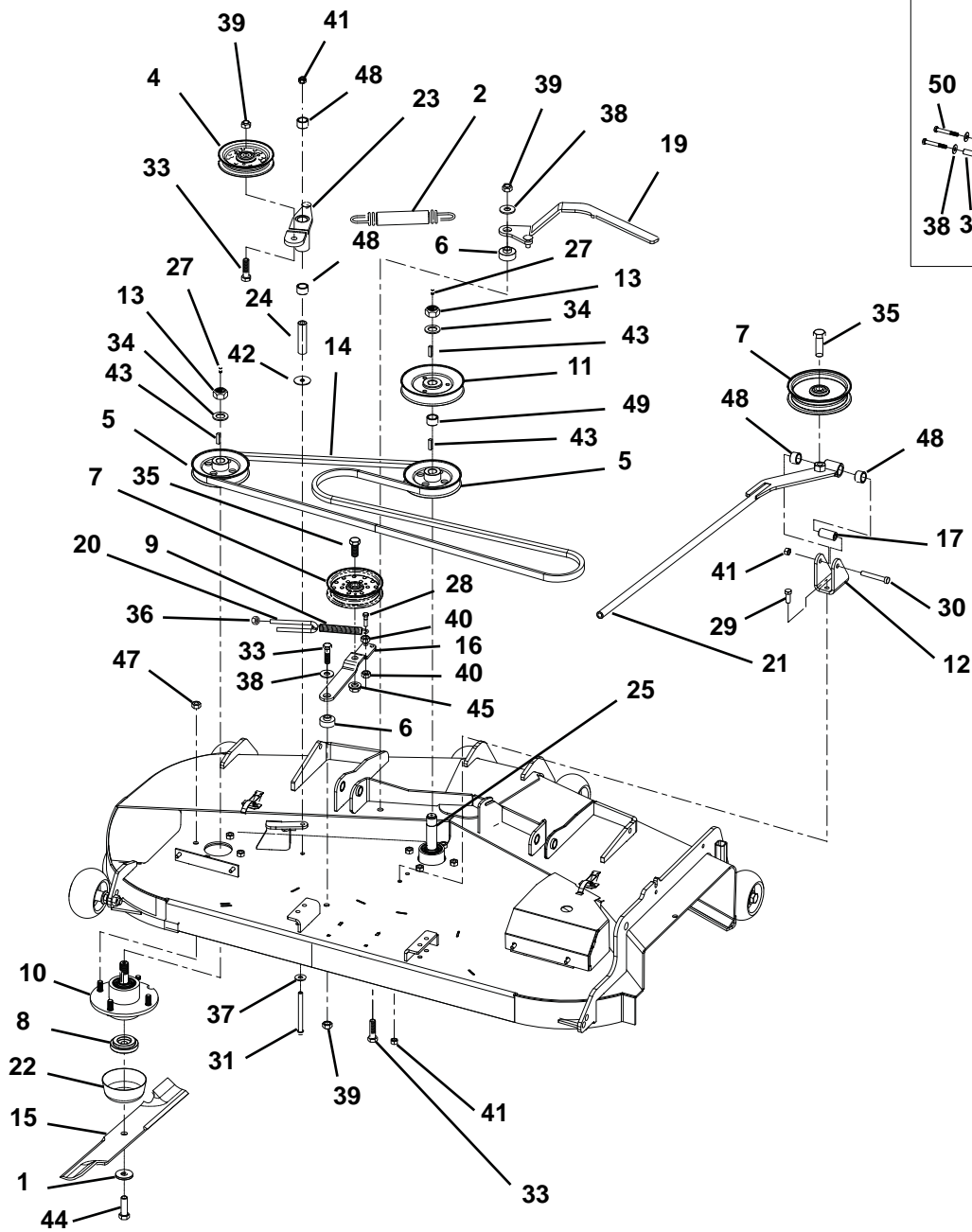


# NOTES

---

# BELTS, IDLERS AND BLADES

Model 992220, 221, 222



Belt\_Idlers\_Blades\_G

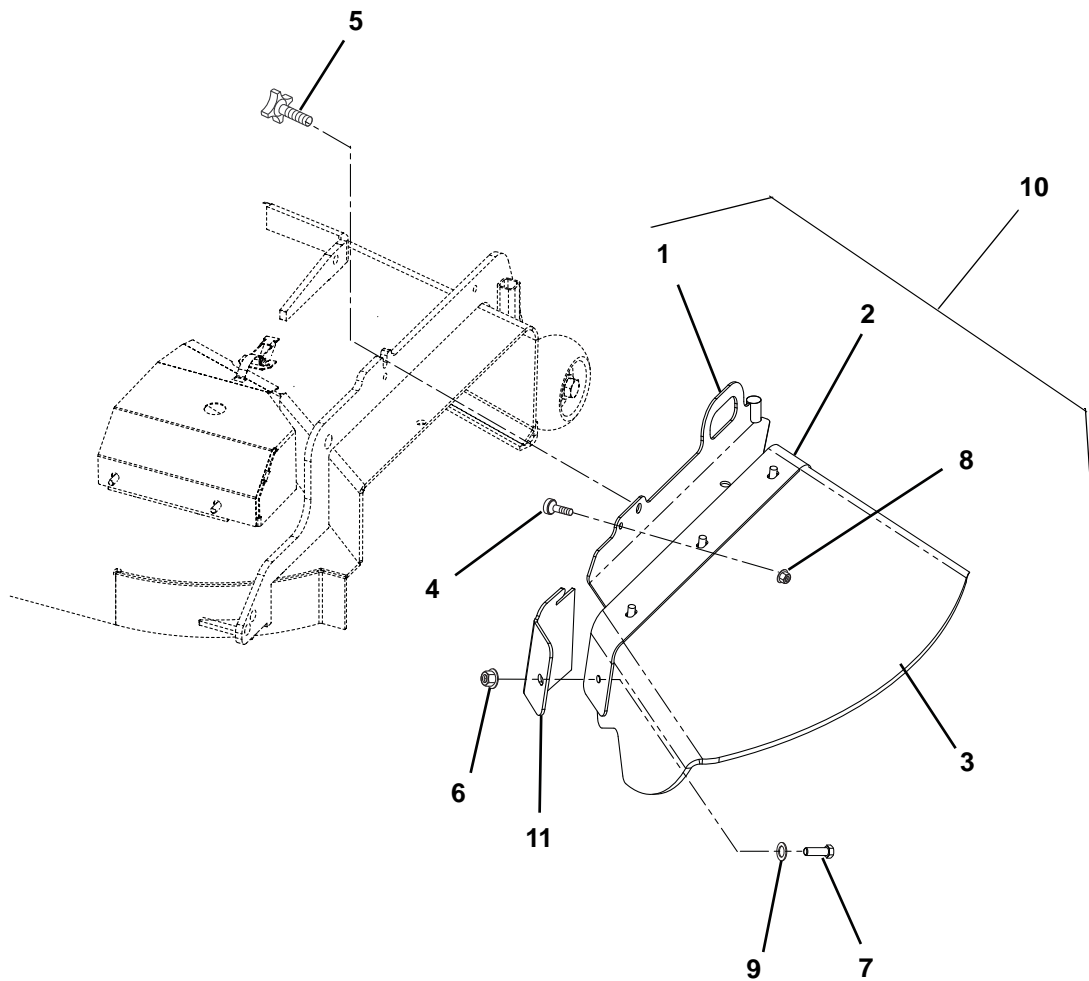
# BELTS, IDLERS AND BLADES

Model 992220, 221, 222

Item	Part No.	Qty.	Description
1	00103906	3	Washer, M14 x M40 x M4.5 FLAT
2	00104657	1	Spring, EXT 1.18 x .177 x 7.50
3	03856600	2	Tube, RD .750 x .125W x 2.469
4	00112614	1	Pulley, V-Belt 5.00 x .510
5	07300011	3	Sheave, 5.00 Spindle (1.00 ID)
6	AA160100	2	Spacer, .516 x .750 x .853
7	00162146	2	Pulley, Flat 5.00 x .635 W/BRG
8	00162779	3	Spacer, Blade
9	00162801	1	Spring, EXT .750 x .125 x 4.50
10	00181917	2	Assembly, Spindle 1" SHORT Shaft (includes items 27 and 43) (outside spindles)
11	00181823	1	Pulley, V-Belt 6.75 x 1.0 w/Keyway (992221)
	00181911	1	Pulley, V-Belt 7.21 x 1.0 w/Keyway (992222)
	07300543	1	Pulley, V-Belt 6.00 x 1.0 w/Keyway (992220)
12	03823051	1	Plate, Pivot Anchor Bent
13	00181818	3	Locknut, 1-14 Thin Pattern Nyloc
14	00112616	1	Belt, B123 (992221)
	00181711	1	Belt, 131.0 EL ARAMID (992222)
	00181036	1	Belt, B112 (992220)
15	00181026	3	Blade, 20.940 LO-LIFT (992221)
	00181940	3	Blade, 23.0 Lift (992222)
	00181042	3	Blade, 19.0 (992220)
16	03799551	1	Arm, Belt Tensioner (992221, 222)
	03822951	1	Arm, Belt Tensioner (992220)
17	00181062	1	Spanner
18	00181715	1	Belt, HB114.9 EL
19	03799351	2	Weldment, Tension Arm
20	00181194	1	U-Bolt, Round .63 x 4.50 x 3/8-16
21	03853600	1	Weldment, Offset Arm w/Bushings (includes item 48)
22	00181288	3	Cap, Spindle
23	03853500	1	Weldment, Deck Idler Arm w/Bushings (includes item 48)
24	00191347	1	Tube, .750 x .156 x 3.05
25	00181910	1	Assembly, Spindle 1" Long Shaft (includes item 27) (center spindle)
26	00181485	2	U-Bolt, Round 1.00 x 3.00 x 3/8-16
27	00959995	2	Fitting, 1/4-28 STRGT Grease Zerk
28	00960024	1	Bolt, 5/16-18 x 1.25 Hex 5
29	05948700	2	Bolt, 3/8-16 x 1.00 Hex 5
30	05958400	1	Bolt, 3/8-16 x 2.50 Hex 5
31	05981900	1	Bolt, 3/8-16 x 4.25 Hex 5
32	05982100	2	Bolt, 7/16-14 x 1.75 Hex 5
33	05970600	3	Bolt, 1/2-13 x 1.75 Hex 5
34	00960711	3	Washer, 1.062 x 1.75 x 0.100
35	05968700	2	Bolt, 5/8-11 x 1.50 Hex 5
36	06529400	2	Nut, 3/8-16 STD Hex
37	06435900	1	Washer, Flat, Steel .438 x 1.00 x .083
38	06442000	6	Washer, Flat, Steel .563 x 1.38 x .109
39	06528200	6	Nut, Locking, Cone
40	06530400	2	Nut, Spin Lock, Flange .312-18
41	06508000	4	Nut, Locking, Flange .375-16
42	06439300	1	Washer, Flat, Steel .38 x 1.50 x .062
43	00966045	4	Key, .250 x .250 x 1.00 SQ
44	05985600	3	Bolt, 9/16-12 x 1.75 Hex 8
45	06500509	1	SRATD Flange Hex Nut 5/8-11
46	06530004	4	Nut, Flanged, 7/16-14 Whiz
47	06500434	12	Nut, 7/16-20 Hex
48	00105546	6	Bearing, Sleeve .753 x .878 x .750
49	00181822	1	Spacer, 1.01 x 1.25 x .635
50	00960122	3	Bolt .50-13 x 3.50 Hex 5

# DISCHARGE CHUTE

Model 992220, 221, 222

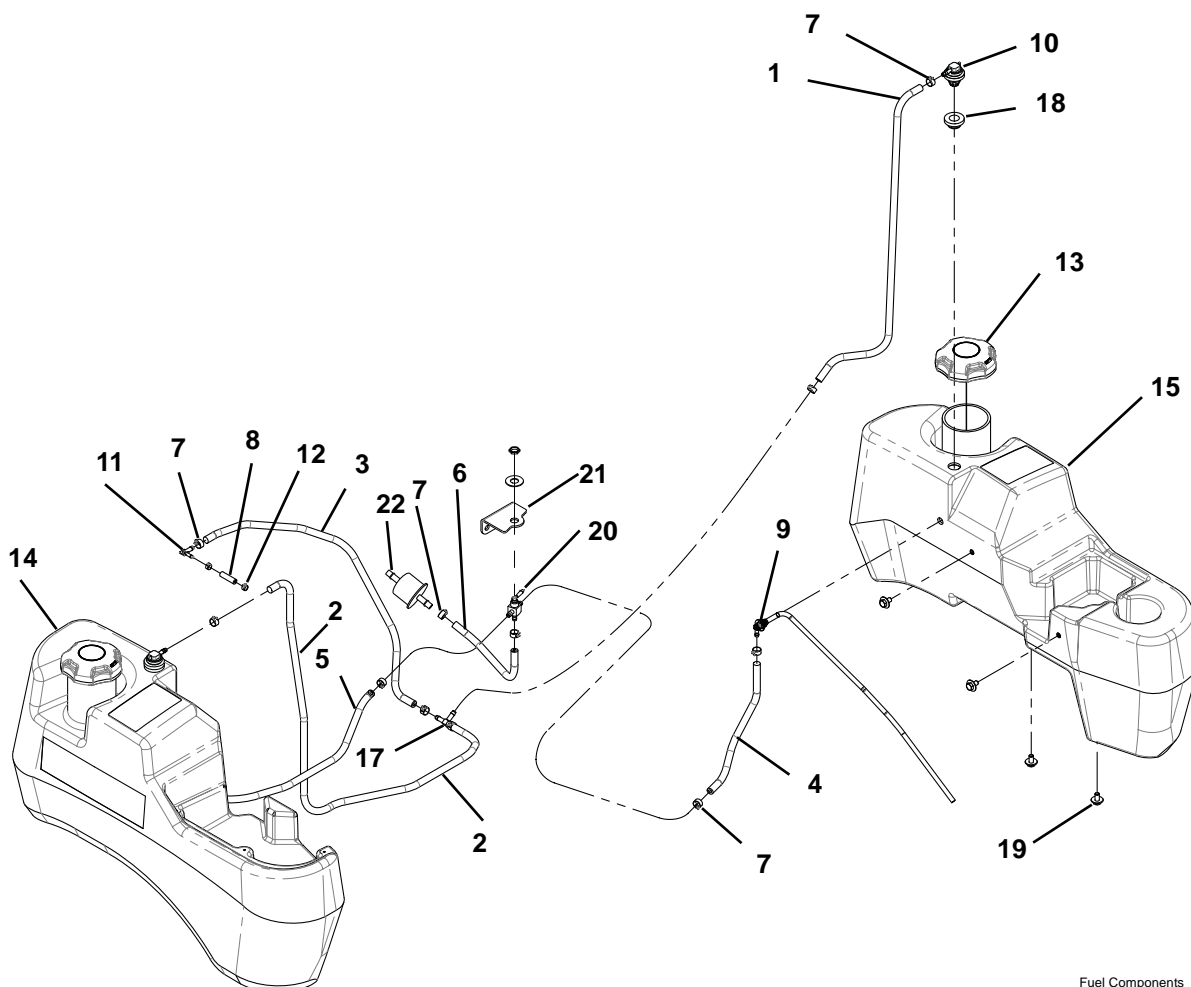


Discharge\_Chute\_G

Item	Part No.	Qty.	Description
1	03779053	1	Weldment, Discharge Chute Mount
2	03791953	1	Plate, Discharge Shield Support
3	03822800	1	Shield, Rubber Discharge
4	07533600	1	Bumper, Rubber
5	03820400	1	Knob, 3/8 x 1.25 - 4 Prong
6	00964016	5	Locknut, 3/8-16 Whiz
7	00963020	5	Bolt, 3/8-16 x 1 CRG 5
8	00964019	1	Locknut, 5/16-18 Whiz
9	00960704	2	Washer, .500 Reg, Flat
10	56496007	1	Assembly, Discharge - Rubber *(contains items 1 through 9)
11	03849151	1	Cover, 54" Discharge (992220)

# FUEL TANKS

Model 992220, 221, 222 Serial Number 2500 and Up



Fuel Components\_G

Item	Part No.	Qty.	Description
1	03278100	27"	Hose, .25 Low-Perm Bulk Gas
2	03278100	40"	Hose, .25 Low-Perm Bulk Gas
3	03278100	25"	Hose, .25 Low-Perm Bulk Gas
4	03278100	12"	Hose, .25 Low-Perm Bulk Gas
5	03278100	28"	Hose, .25 Low-Perm Bulk Gas
6	03278100	12"	Hose, .25 Low-Perm Bulk Gas
7	03278800	12	Clamp, Fuel Line
8	03375900	1.5	Hose, .188 Low-Perm Bulk Gas
9	03900200	2	Assembly, Large Tank Fuel Pick-Up
10	04068910	2	Valve, Combination
11	04097000	1	Fitting, 3/16 x 1/4 90 Degree Vac
12	04097700	2	Clamp, Hose, Spring .188
13	04237300	2	Cap, Fuel, Nonvent Autoclick
14	04245500	1	Tank, RH Large Gravely Fuel
15	04245600	1	Tank, LH Large Gravely Fuel
16	NA	1	Label, EPA Non-Compliant Tank
17	04307000	1	Tee, 1/4 HS Run x 1/4 HS Branch
18	05600439	2	Grommet, Remote Vent Rev
19	07000018	8	Bolt, SEMS .31-18 x .62
20	09233600	1	Valve, Fuel (Nut and washer shown are included with valve)
21	04309151	1	Bracket, Valve
22	21538400	1	Fuel Filter



GRAVELY  
655 West Ryan Street  
P.O. Box 157  
Brillion, WI 54110  
920-756-4688  
Fax 920-756-2407  
[www.gravelly.com](http://www.gravelly.com)

An *Ariens* Company Brand

## Free Manuals Download Website

<http://myh66.com>

<http://usermanuals.us>

<http://www.somanuals.com>

<http://www.4manuals.cc>

<http://www.manual-lib.com>

<http://www.404manual.com>

<http://www.luxmanual.com>

<http://aubethermostatmanual.com>

Golf course search by state

<http://golfingnear.com>

Email search by domain

<http://emailbydomain.com>

Auto manuals search

<http://auto.somanuals.com>

TV manuals search

<http://tv.somanuals.com>