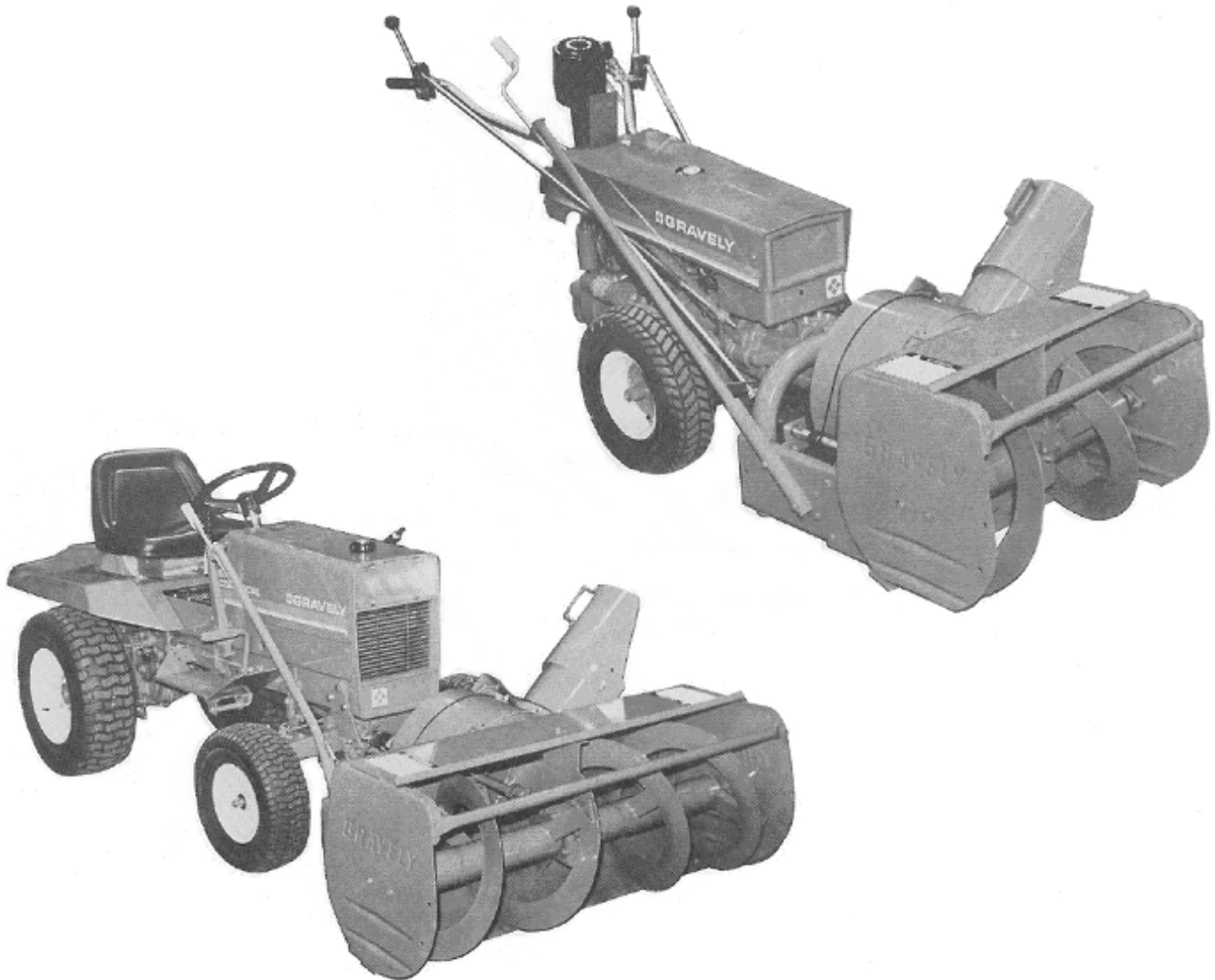


NAME: GRAVELY SNOWBLOWERS

PART NUMBER(S): 28" - 20979
34" - 20981
38" - 20980
44" - 20982



The 28 Inch and 34 Inch Snowblowers are used with Gravely two wheel tractors. The 38 Inch and 44 Inch Snowblowers are used with Gravely four wheel tractors.

To fasten the Snowblower to a Gravely two wheel tractor a Quick Hitch Pin Kit, part No. 23220, is needed. To fasten the Snowblower to a Gravely four wheel tractor a Front Drive Kit, part No. 21124, is needed.

All reference to left side, right side, front and rear are from the operator's position.

CONTENTS

1.0	SAFETY PRECAUTIONS
2.0	ILLUSTRATED PARTS LIST
3.0	CONNECTING THE SNOWBLOWER TO THE TWO WHEEL TRACTOR
4.0	OPERATING THE 28 or 34 INCH SNOWBLOWER
5.0	CONNECTING THE SNOWBLOWER TO THE FOUR WHEEL TRACTOR
6.0	OPERATING THE 38 or 44 INCH SNOWBLOWER
7.0	MAINTENANCE
8.0	STORAGE

1.0 SAFETY PRECAUTIONS

The information in this Operator's Manual must be followed to do service and for safe operation of this equipment.

Using this equipment the wrong way can cause injury to persons and damage to the equipment. Persons using or doing maintenance on this equipment must read this Operator's Manual and follow the instructions.

It is important to understand that the warnings in this Operator's Manual and any other instruction book do not list every possible danger. It is not possible for Gravelly to know and tell the operator or person doing service on the equipment of all the dangers in operating and doing service on the equipment.

The purchaser must give these instructions to the persons operating and doing maintenance on this equipment. The purchaser must get the operator and person doing maintenance on this equipment to use eye and foot protection.

1.1 TRAINING

1. Read the Operator's Manual and learn the function of the tractor's controls. Know how to stop the tractor and snowblower drive fast.
2. Never let children operate the equipment.
3. Let adults operate the equipment only after reading and understanding the instructions in this Operator's Manual.

1.2 PREPARATION

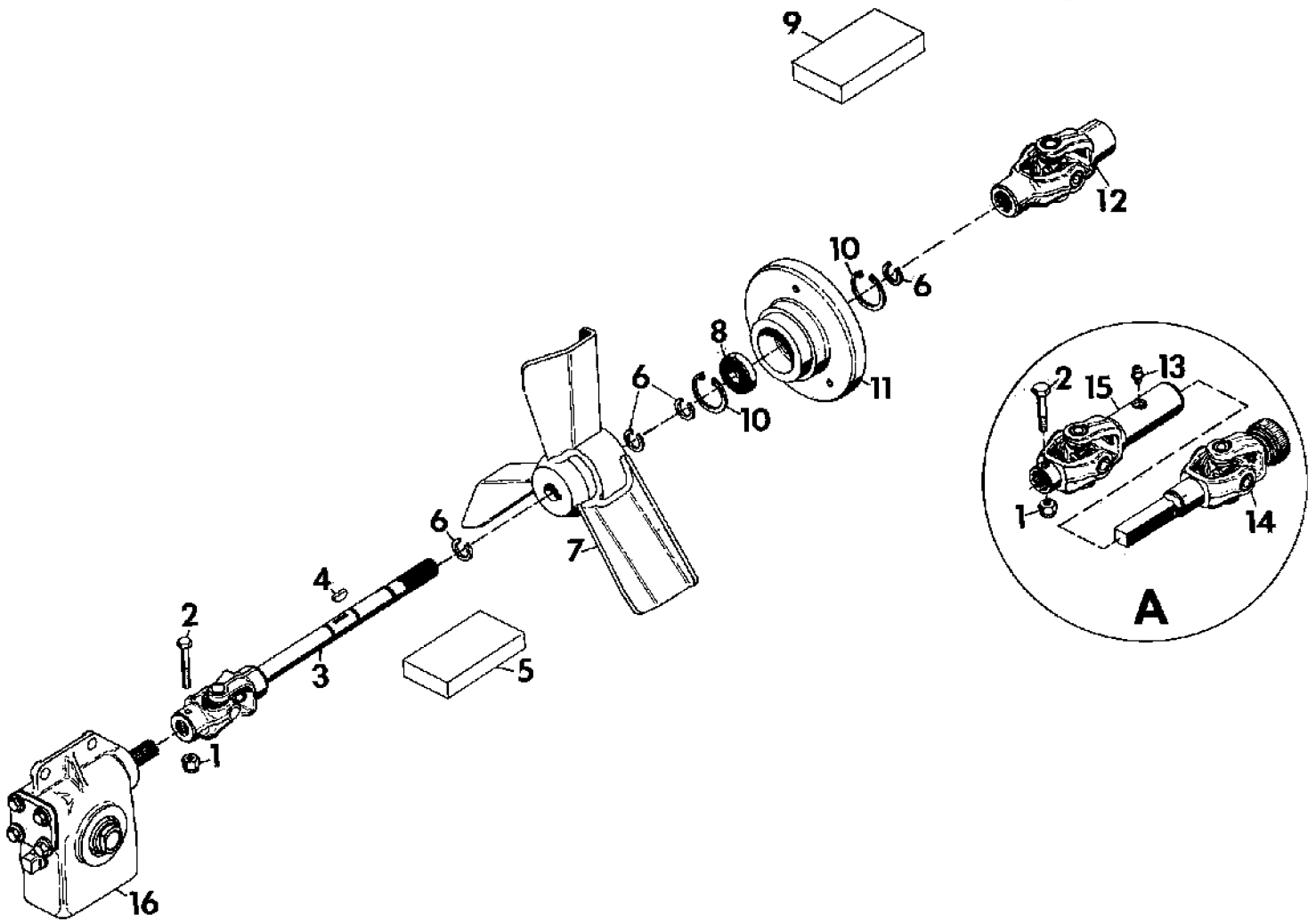
1. Before snowfall, inspect the area of operation and remove all material that will be thrown, stop or do damage to the snowblower.
2. Put the Direction Control lever in the neutral position and the PTO control in the OFF position before starting the engine.
3. Use foot protection that will decrease sliding.
4. Use caution when putting gasoline in the fuel tank.
5. Use a clean and tight fuel container.
6. Never put gasoline in the fuel tank while the engine is running.
7. Never put gasoline in the fuel tank while the tractor is inside a building.
8. Clean off any gasoline that falls on the tractor before starting the engine.
9. Lower the snowblower skids to give ground clearance needed to stop gravel from going into the snowblower.

1.3 OPERATION

1. Keep away from moving parts.
2. Keep away from the discharge chute.
3. Never use the tractor for person transport.
4. Put the PTO control in the OFF position, turn the ignition switch to the OFF position and wait until the engine and moving parts stop before leaving the tractor seat or operator's position to make adjustments, repairs, or give service.

5. After hitting some material, put the PTO control in the OFF position and turn the ignition switch to the OFF position_ Make repairs before restarting.
6. Vibration or sound change is a warning that damage has been done. Make repairs before operating the equipment.
7. Never start and run the engine inside a building except to move the equipment outside.
8. The snowblower auger or impeller can be stopped by too much ice, snow or debris while the engine is still giving power to the snowblower. Severe injury to the person can be caused when cleaning the snowblower while the engine is running. **NEVER CLEAN THE SNOWBLOWER WITH THE ENGINE RUNNING.**
9. When removing snow from a slope, go up and down the slope, never across.
10. Use caution when changing direction on slopes.
11. Never operate the snowblower without all safety equipment being in place.
12. Discharge the snow away from any area where the snow can cause damage.
13. The forward speed must be slow enough to permit the snow to go through the snowblower without being stopped.
14. Use a slow speed when moving the equipment to decrease sliding on surfaces with ice.
15. Use only Gravelly accessories for the snowblower and tractor.
16. Do not operate unless you can check the area visually.
17. Run the snowblower a short time after blowing snow to decrease freezing of the collector/impeller.
18. After using the snowblower, disengage the PTO and stop the engine and remove all snow and ice before putting the snow-blower in storage.
19. Never put the tractor in storage with gasoline in the fuel tank.

SNOWBLOWERS, 28", 34", 38" & 44"
FAN DRIVE

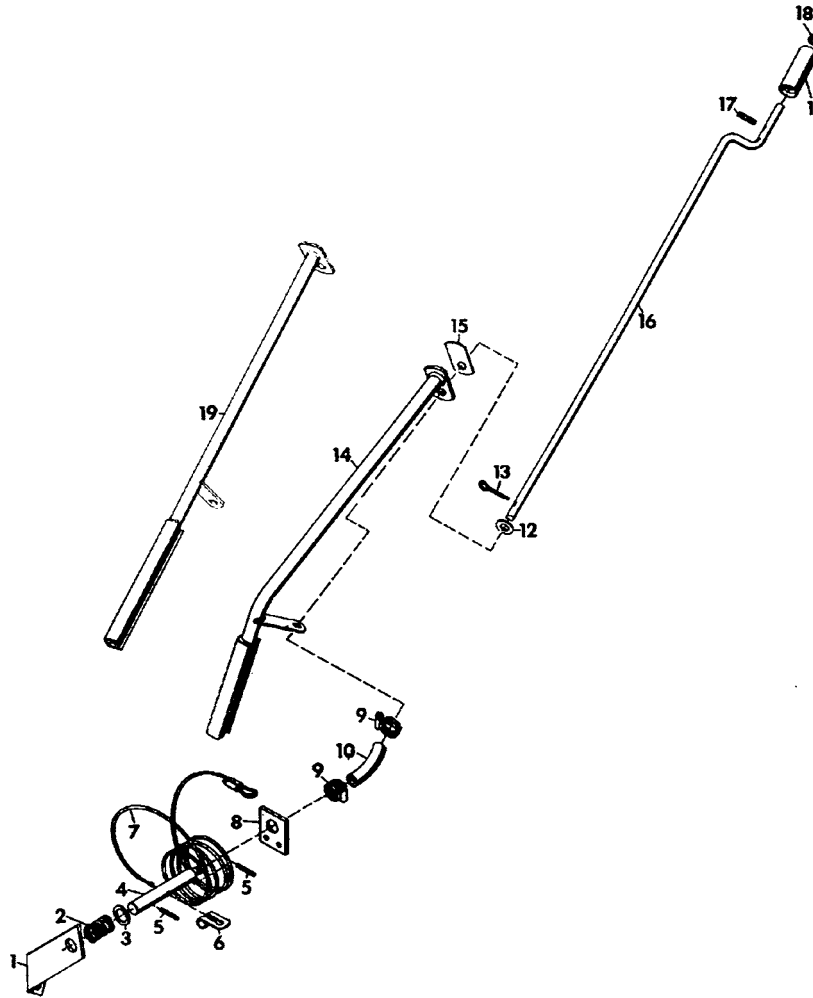


SNOWBLOWERS, 28", 34", 38" & 44"
FAN DRIVE

ITEM NO.	PART NO.	QTY.	DESCRIPTION
1	419454	2	Nut, Lock; 1/4-20 Washer Insert
2	180044	1	Bolt, Hex; 1/4-20 x 2
3	20992	1	Weldment, Drive Shaft
4	124553	1	Key, Woodruff; 1/4 x 1 Hard No. 15
5	20573	1	Kit, Repair Universal Joint Neapco 1605x
	12134	1	Kit, Repair Universal Joint Rockwell Std.
6	14987	4	Ring, Retaining; 1.00 Shaft
7	19731	1	Weldment, Fan
8	19741	1	Bearing, Ball; 1.000 x 1.850 x .472
9	24560	1	Kit, Repair Universal Joint (Neapco)
10	20859	2	Ring, Retaining
11	19740	1	Support
12	21168	1	Assembly, U--Joint; Double; Applies to 28" & 34" Only
13	411027	1	Fitting, Lube; 1/4-28 Lube; 1/4-28
14	20727	1	Joint, Universal; Rect. Shaft
15	20728	1	Joint, Universal; Rect. Tube
16			Refer to Reel Drive Assembly

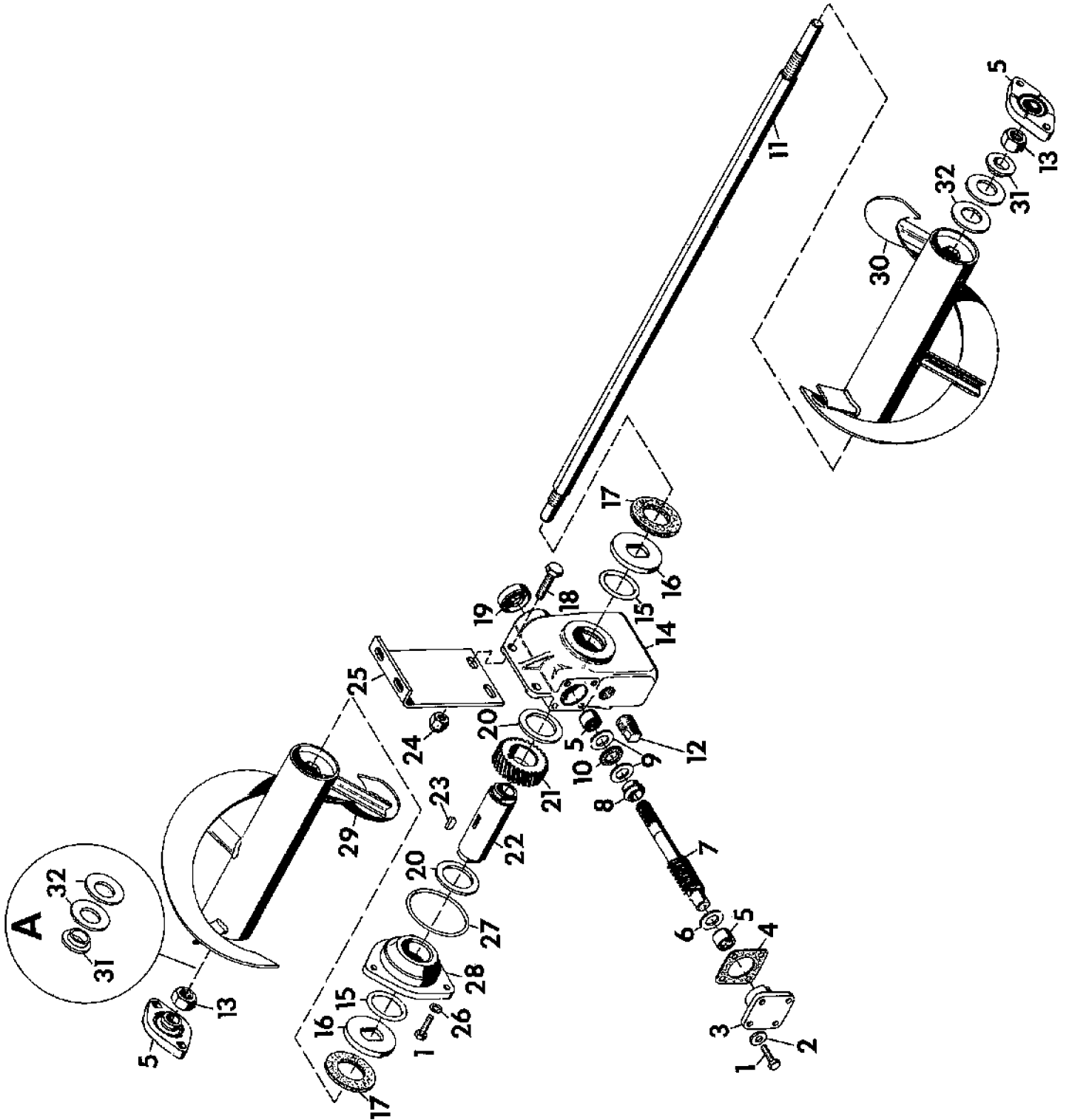
NOTE: Circle A Pertains to 38" & 44" Riding Snowblowers Only

SNOWBLOWERS, 28", 34", 38" & 44"
CRANK ASSEMBLY



<u>ITEM NO.</u>	<u>PART NO.</u>	<u>QTY.</u>	<u>DESCRIPTION</u>
1	20984	1	Bracket, Support
2	20999	1	Spring, Compression
3	19340	1	Race, Bearing Thrust; 1.002 x 1.552 x .030
4	20989	1	Shaft
5	456542	2	Pin, Spring; 3/16 x 1-1/2
6	21144	1	Eye, Single
7	20997	1	Assembly, Cable
8	20998	1	Support
9	9630	2	Clamp, Hose SAE; Type F
10	9612	1	Connector
11	10211	1	Grip, Handle
12	120396	1	Washer, Flat; .500 x 1.062 x .095
13	137185	1	Pin, Cotter; .125 x 1.00
14	21005	1	Weldment, Crank Support; 38" & 44"
15	21020	1	Decal, Snowblower Discharge
16	9652	1	Crank, 28" & 34" Snowblower
	21022	1	Crank, 38" & 44" Snowblower
17	454563	1	Pin, Spring; 3/16 x 7/8 Cap
18	10210	1	Cap, Stud
19	20985	1	Weldment, Crank Support; 28" & 34"

SNOWBLOWERS, 28", 34", 38" & 44"
REEL DRIVE ASSEMBLY

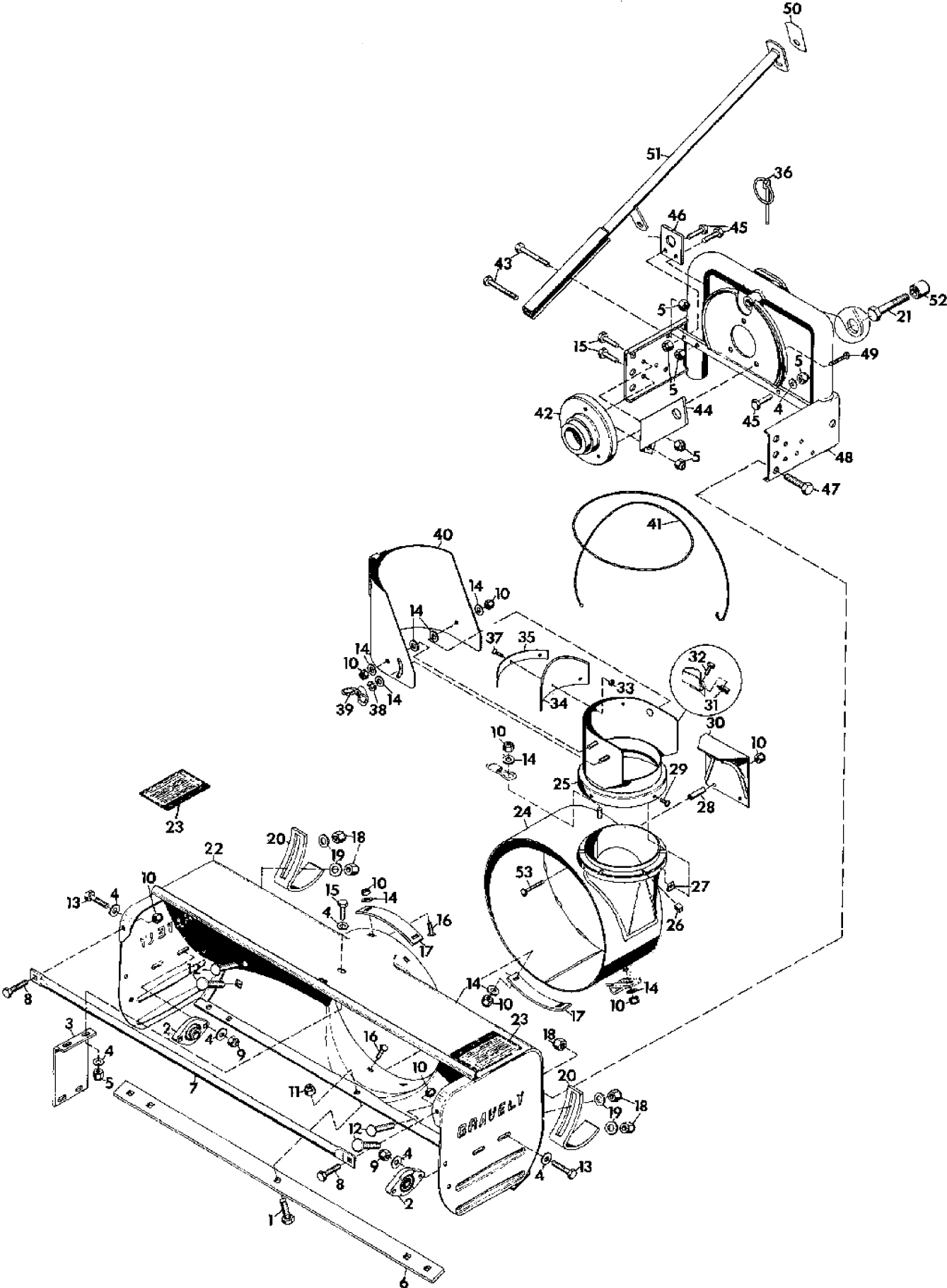


SNOWBLOWERS, 28", 34", 38" & 44"**REEL DRIVE ASSEMBLY**

<u>ITEM NO.</u>	<u>PART NO.</u>	<u>QTY.</u>	<u>DESCRIPTION</u>
1			
2	120392	4	Washer, Flat; .281 x .625 x .065
3	6341	1	Cap, Front Pinion Bearing
4	6339	1	Gasket, Bearing Cap
5	9660	2	Bearing, Torrington; B-128 (B-128-OH)
6	9659	1	Washer, Thrust
7	20696	1	Shaft, Snowblower Worm
8	10325	1	Spacer
9	9662	2	Bearing, Needle Thrust Race
10	9661	1	Bearing, Torrington #NTG-1427
11	20697	1	Shaft, 28 In. Reel
	6485	1	Shaft, 34 In. Reel
	11796	1	Shaft, 38 In. Reel
	19794	1	Shaft, 44 In. Reel
12	103880	1	Plug, Pipe; 1/2 In. SQ HD Steel
13	426767	2	Nut, Hex; 7/8-14
14	10573	1	Housing, Snowblower; Gear
15	9668	2	'O' Ring; 1-3/4 x 2-1/8 x 3/16
16	12399	2	Plate, Drive
17	9657	2	Disc, Friction
18	181666	2	Bolt, Hex; 7/16-20 x 1
19	9667	1	Seal, Oil; 3/4 x 1.851 x 3/8
20	12404	2	Bearing, Thrust Race Torr TRD-2840
21	12401	1	Gear, Worm
22	12402	1	Tube, Reel Gear
23	12403	1	Key
24	274655	2	Nut, Lock; 7/16-20 Type N Hex
25	10579	1	Bracket, Gear Box Support
26	120423	3	Washer, Lock; 1/4 Int. Tooth
27	9669	1	O'Ring; 3 x 3-1/4 x 1/8
28	12400	1	Cap, Gear Housing
29	20699	1	Reel, Weldment; 28 In. R. H.
	10222	1	Reel, Weldment; 34 In. R. H.
	11797	1	Reel, Weldment; 38 In. R. H.
	19795	1	Reel, Weldment; 44 In. R. H.
30	20698	1	Reel, Weldment; 28 In. L. H.
	10221	1	Reel, Weldment; 34 In. L. H.
	11802	1	Reel, Weldment; 38 In. L. H.
	19799	1	Reel, Weldment; 44 In. L. H.
31	6494	1	Washer, Pilot
32	6493	2	Washer, Belleville Spring; 1-1/4 x 2-1/2

NOTE: Items shown in Circle "A" pertains to 38" & 44" Riding Snowblowers Only

SNOWBLOWERS, 28" & 34"
FRAME ASSEMBLY

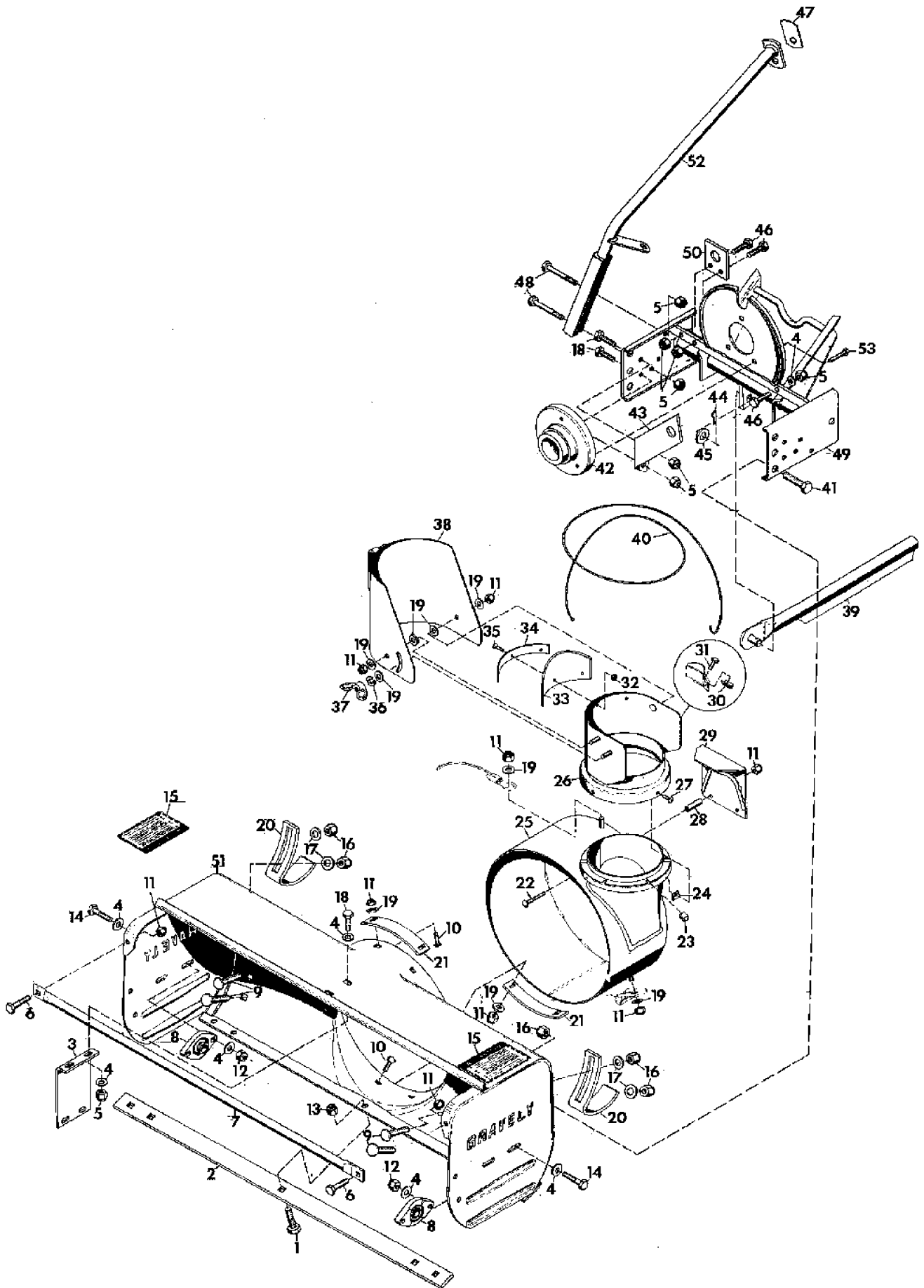


SNOWBLOWERS, 28" & 34" WALKING

FRAME ASSEMBLY

<u>ITEM NO.</u>	<u>PART NO.</u>	<u>QTY.</u>	<u>DESCRIPTION</u>
1	180075	5	Bolt, Hex; 5/16-18 x 5/8
2	12409	2	Bearing, Flange
3	10579	1	Bracket, Gear Box Support
4	120394	13	Washer, Flat; .406 x .812 x .065
5	456004	9	Nut, Lock; 3/2-16 Washer Insert Hex
6	20706	1	Strip, Wear; 28 In.
	6412	1	Strip, Wear; 34 In.
7	20707	1	Guard, Snowblower 28 In.
	6396	1	Guard, 34 In.
8	180020	2	Bolt, Hex; 1/4-20 x 3/4
9	419455	4	Nut, Lock; 5/16-18 Washer Insert Hex
10	419454	13	Nut, Lock; 1/4-20 Washer Insert Hex
11	413447	5	Nut, Lock; 5/16-18 Type N Hex
12	126485	4	Bolt, 1/2-13 x 1-1/4 RD HD SQ NK
13	180080	4	Bolt, Hex; 5/16-18 x 1-1/8
14	120392	11	Washer, Flat; .281 x .625 x .065
15	180122	4	Bolt, Hex; 3/8-16 x 1
16	120518	4	Bolt, 1/4-20 x 3/4 RD HD SQ NK
17	6477	2	Ring, Bearing
18	435507	8	Nut, Lock; 1/2-13 Washer Insert Hex
19	120396	4	Washer, Flat; .500 x 1.062 x .095
20	24379	2	Skid
21	180177	1	Bolt, Hex; 1/2-13 x 1-1/2
22	20703	1	Weldment, Body; 28 In. Snowblower
	20722	1	Weldment, Body; 34 In. Snowblower
23	19479	2	Decal, Caution
24	20994	1	Weldment, Fan Housing
25	6404	1	Chute, Weldment
26	10580	4	Glide
27	445339	4	Nut, Spring Shape 8032 Type A-J
22	20928	2	Spacer, Tube Guard
29	164354	4	Screw, Tapping 8-32 x 3/8 Pan Head Type C
30	6370	1	Guide, Cable Weldment
31	6496	1	Clamp
32	180016	1	Bolt, Hex; 1/4-20 x .50
33	120622	3	Nut, Mach; 8-32 Hex
34	6352	1	Baffle, Deflector
35	10496	1	Retainer, Baffle
36	21244	1	Pin, Self-Locking
37	155886	3	Screw, Mach; 8-32 x 1/2 Flat Hd C-Recess
38	120380	1	Washer, Lock; 1/4 SP
39	6464	1	Wing, Deflector
40	6399	1	Chute, Deflector Weldment
41	6381	1	Rope, Wire
42	19740	1	Support
43	180130	2	Bolt, Hex; 3/8-16 x 2
44	20984	1	Bracket, Support
45	180124	3	Bolt, Hex; 3/8-16 x 1-1/4
46	20998	1	Support
47	180175	4	Bolt, Hex; 1/2-13 x 1.25
48	20708	1	Support, Weldment
49	180021	3	Bolt, Hex; 1/4-20 x 7/8
50	21020	1	Decal, Snowblower Discharge
51	20985	1	Crank, Support Weldment
52	19297	1	Bushing; .531 x 1.000 x .600
53	126348	2	Bolt, 1/4-20 x 2-1/4 RD HD SQ NK

SNOWBLOWERS, 38" & 44"
FRAME ASSEMBLY

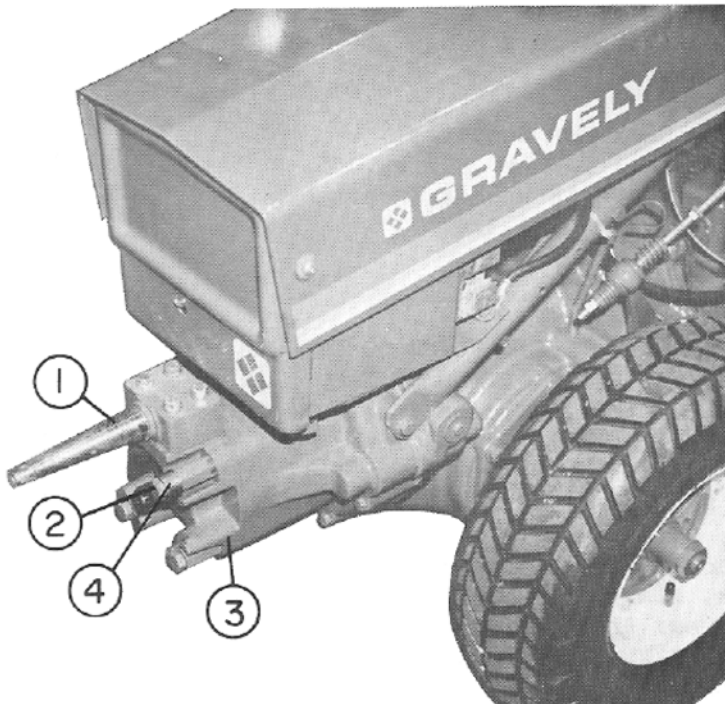


SNOWBLOWERS, 38" & 44"**FRAME ASSEMBLY**

<u>ITEM NO.</u>	<u>PART NO.</u>	<u>QTY-</u>	<u>DESCRIPTION</u>
1	180075	5	Bolt, Hex; 5/16-18 x 5/8
2	11788	1	Strip, Wear
	19791	1	Strip, Wear
3	10579	1	Bracket, Gear Box Support
4	120394	13	Washer, Flat; .406 x .812 x .065
5	456004	9	Nut, Lock; 3/8-16 Washer Insert Hex
6	180020	2	Bolt, Hex; 1/4-20 x 3/4
7	11789	1	Guard
	19792	1	Guard
8	12409	2	Bearing, Flange
9	126485	4	Bolt; 1/2-13 x 1-1/4 RD HD SQ NK
10	120518	4	Bolt; 1/4-20 x 3/4 RD HD SQ NK
11	419454	12	Nut, Lock; 1/4-20 Washer Insert Hex
12	419455	4	Nut, Lock; 5/16-18 Washer Insert Hex
13	413447	5	Nut, Lock; 5/16-18 Type N Hex
14	180080	4	Bolt, Hex; 5/16-18 x 1-1/8
15	19479	2	Decal, Caution
16	435507	8	Nut, Lock; 1/2-13 Washer Insert Hex
17	120396	4	Washer, Flat; .500 x 1.062 x .095
18	180122	4	Bolt, Hex; 3/8-16 x 1
19	120392	8	Washer, Flat; .281 x .625 x .065
20	24379	2	Skid
21	6477	2	Ring, Bearing
22	126348	2	Bolt, 1/4-20 x 2-1/4 RD HD SQ NK
23	10580	4	Glide
24	445339	4	Nut, Spring Shape 8032 Type A-J
25	20994	1	Weldment, Fan Housing
26	6404	1	Chute, Weldment
27	164354	4	Screw, Tapping 8-32 x 3/8 Pan Head Type C
28	20928	2	Spacer, Tube Guard
29	6370	1	Guide, Cable Weldment
30	6496	1	Clamp
31	180016	1	Bolt, Hex; 1/4-20 x .50
32	120622	3	Nut, Mach; 8-32 Hex
33	6352	1	Baffle, Deflector
34	10496	1	Retainer, Baffle
35	155886	3	Screw, Mach; 8-32 x 1/2 Flat HD C-Recess
36	120380	1	Washer, Lock; 1/4 SP
37	6464	1	Nut, Deflector Wing
38	6399	1	Chute, Deflector Weldment
39	11809	1	Rod, Push Weldment
40	6381	1	Rope, Wire
41	180175	4	Bolt, Hex; 1/2-13 x 1.25
42	19740	1	Support
43	20984	1	Bracket, Support
44	10405	1	Cotter, Hair Pin
45	131017	1	Washer, Flat; .812 x 1.469 x .134
46	180124	3	Bolt, Hex; 3/8-16 x 1-1/4
47	21020	1	Decal, Snowblower Discharge
48	180130	2	Bolt, Hex; 3/8-16 x 2
49	21008	1	Weldment, Support
50	20998	1	Support
51	20726	1	Weldment, Body; 38 In. Snowblower
	20732	1	Weldment, Body; 44 In. Snowblower
52	21005	1	Weldment, Crank Support
53	180021	3	Bolt, Hex; 1/4-20 x 7/8

3.0 CONNECTING THE SNOWBLOWER TO THE TWO WHEEL TRACTOR

1. Install the Quick Hitch Pin Kit as shown in figure 3.0-1.

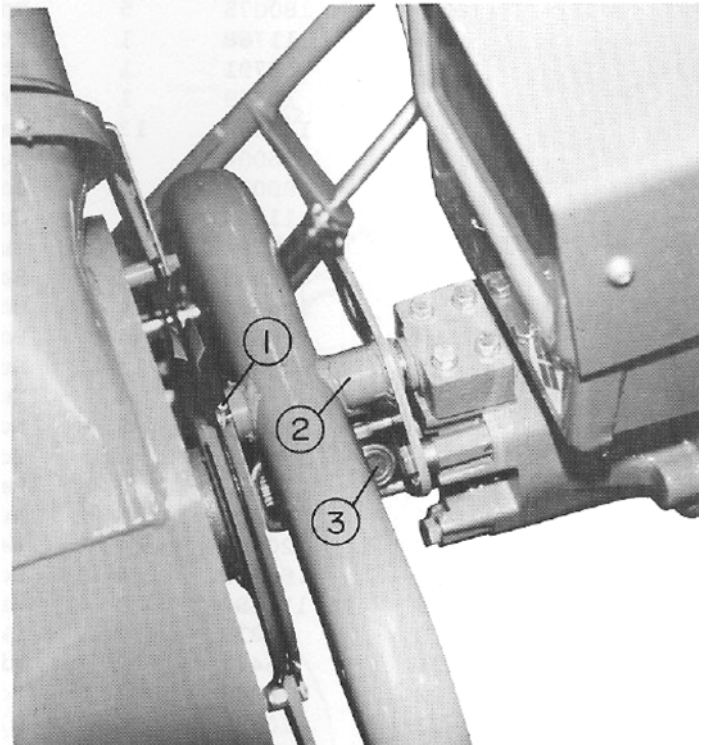


- 1 -Quick Hitch Pin
- 2 - Bolt
- 3 -Attachment Adapter
- 4 --- Bushing

Figure 3.0-1

2. Put the bushing on the 1/2" x 2-3/4" Bolt and fasten to the upper, left quick hitch stud as shown in figure 3.0-1.
3. Apply multi-purpose grease to the quick hitch pin and power take-off (PTO) shaft on the tractor.
4. Put the universal joint on the snow-blower drive shaft as far as it will go.
5. Move the tractor putting the quick hitch pin three and one half inches into the snowblower support.
6. Put the other end of the universal joint on the PTO shaft of the tractor.
7. Move the tractor putting the quick hitch pin all the way through the snowblower support.

8. Put the ring pin through the hole in the end of the quick hitch pin as shown in figure 3.0-2.



- 1 - Ring Pin
- 2 -Snowblower Support
- 3 -Universal Joint

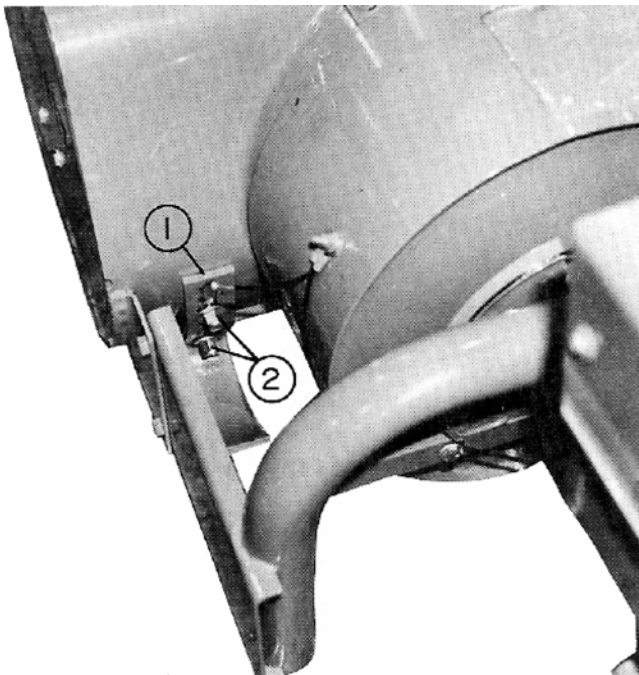
Figure 3.0-2

To remove the snowblower from the tractor, remove the ring pin. Separate the tractor and snowblower and keep the universal joint with the snowblower.

4.0 OPERATING THE 28 & 34 INCH SNOWBLOWERS

Read the tractor Operator's Manual. Know how to operate the tractor controls.

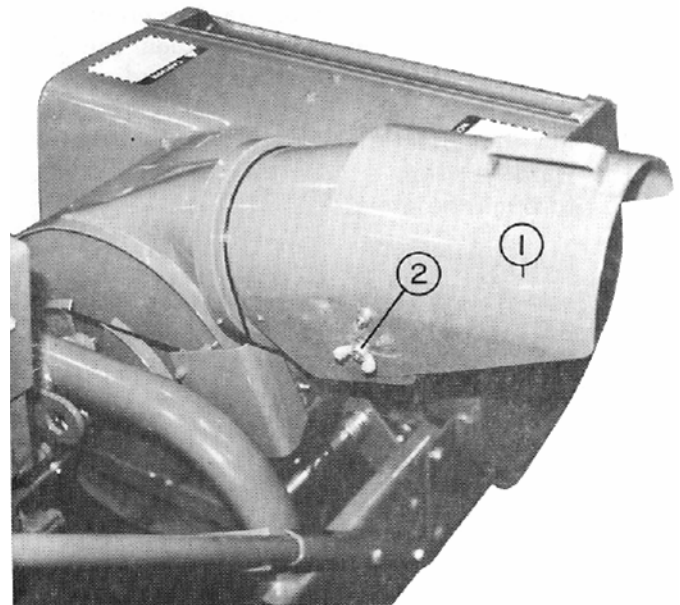
1. Adjust the skids shown in figure 4.0-1 to give ground clearance needed for the surface conditions. When removing snow from a gravel surface, adjust the skids to raise the snowblower to prevent gravel from going into the snowblower. When removing snow from a smooth surface, the snowblower can be lowered until the wearstrip contacts the surface.



1 - Skid
2 - Bolt

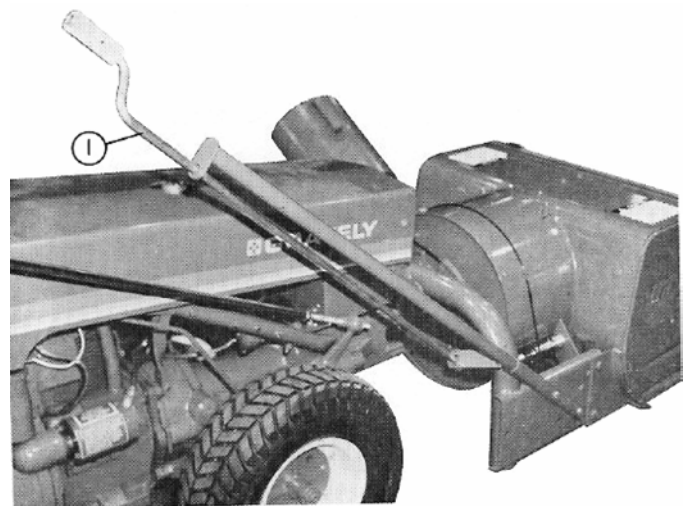
Figure 4.0-1

2. Adjust the deflector chute by loosening the wing nut shown in figure 4.0-2. The deflector chute controls the distance the snow will be blown.
3. Start the tractor engine. Wait until the engine is smooth running before operating the snowblower.
4. Push the discharge chute crank in and turn the crank to rotate the discharge chute to a position that snow will be blown away. See Figure 4.0-3.



1 - Deflector Chute
2 - Wing Nut

Figure 4.0-2



1 - Discharge Chute Crank

Figure 4.0-3.

5. If the tractor has a Range Shift, put it in the LOW position.
6. Engage the PTO.
7. Move the throttle lever to the FAST position.
8. Put the Gear Shift in the LOW position.

NOTE: When going through the snow for the first time, a full width passage must be cut. The forward speed must be slow enough to permit the snow to go through the discharge chute without being stopped.

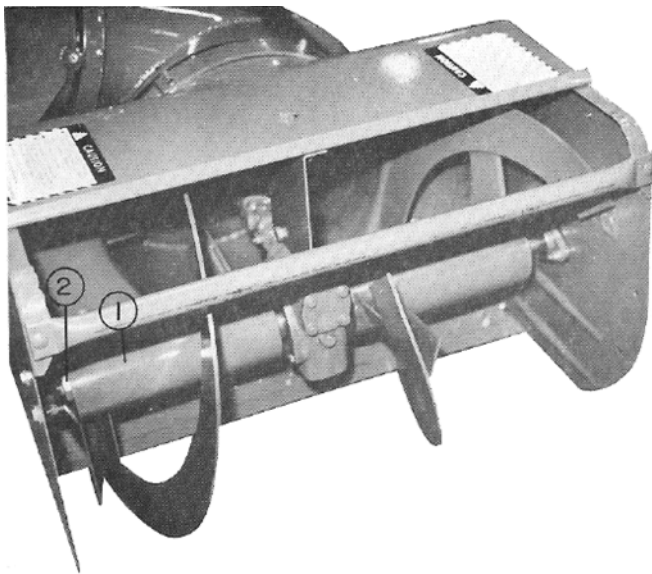
9. Put the Direction Control Lever in the forward position and make the first passage through the snow.

WARNING:

The snowblower auger or impeller can be stopped by too much ice, snow or debris while the engine is still giving power to the snowblower. Severe injury to the person can be caused when cleaning the snowblower while the engine is running.

NEVER CLEAN THE SNOWBLOWER WITH THE ENGINE RUNNING.

10. On the next and remaining passages, cut as much snow as will go through the discharge chute without being stopped.
11. If the reel stops turning while the fan continues to turn, disengage the PTO, stop the engine and tighten the nuts on each end of the reel shown in figure 4.0-4 to a torque of 85 ft. lbs. (115 Nm).



- 1 - Reel
- 2 - Nut

Figure 4.0-4

5.0 CONNECTING THE SNOWBLOWER TO THE FOUR WHEEL TRACTOR

1. Install the front drive kit on the tractor. See figure 5.0-1.

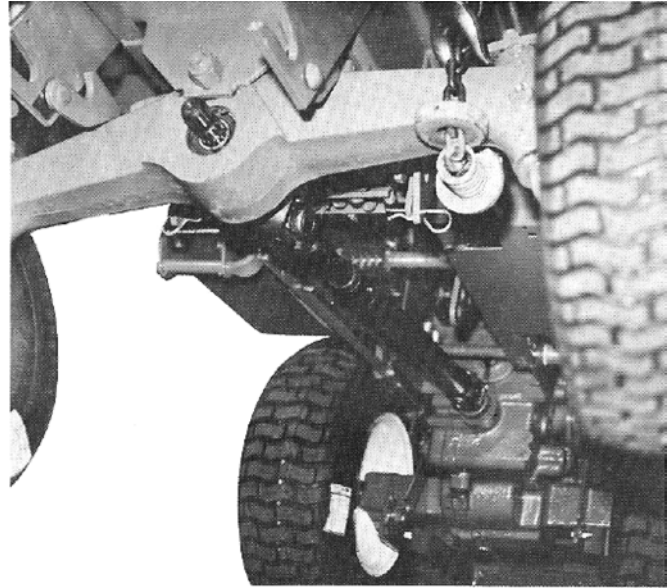
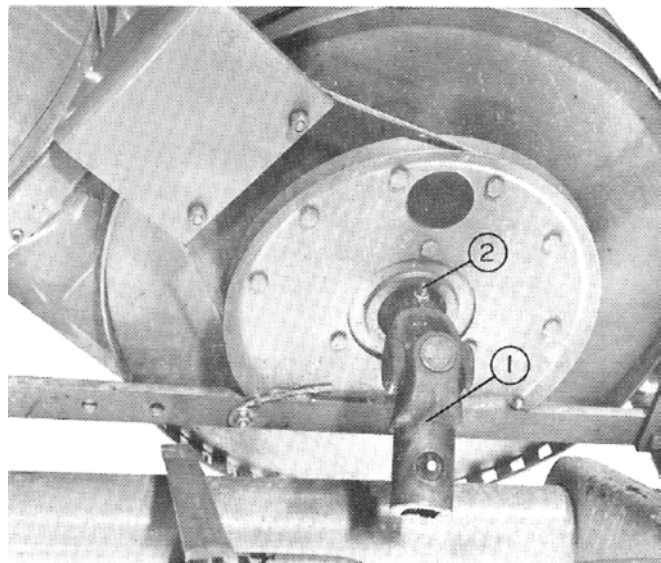


Figure 5.0-1

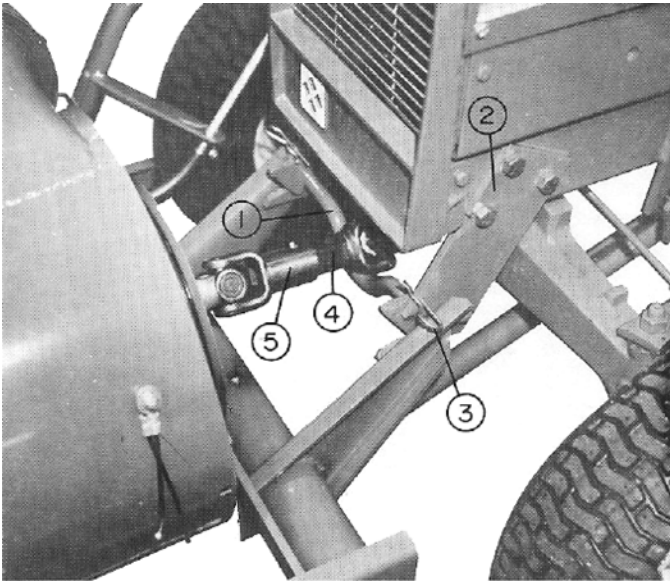
2. Fasten the universal joint tube to the snowblower drive shaft with the 1/4" x 2" bolt and 1/4" lock nut as shown in figure 5.0-2.



- 1 - Universal Joint Tube
- 2 - Bolt

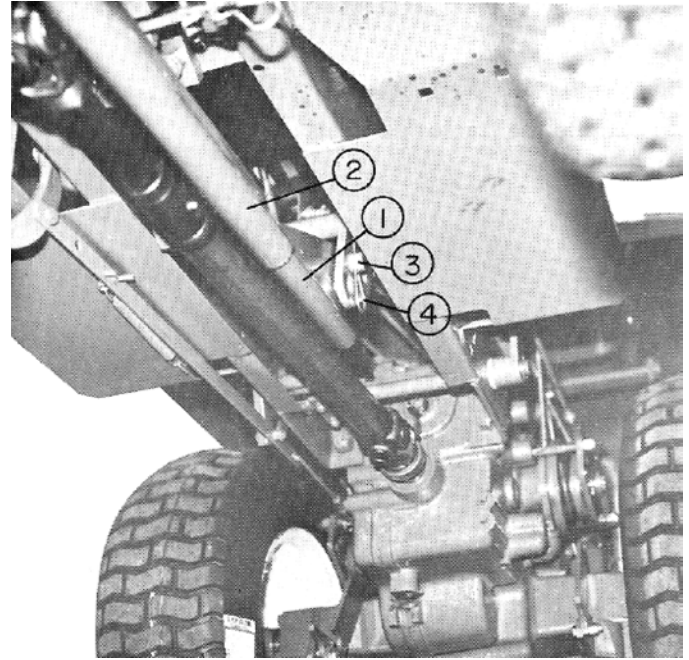
Figure 5.0-2

- Put the frame pivot rod of the snowblower support in the front attachment brackets and fasten with the hitch pins as shown in figure 5.0-3.



- Frame Pivot Rod
- Front Attachment Bracket
- Hitch Pin
- Universal Joint Shaft
- Universal Joint Tube

Figure 5.0-3



- Front Drive Kit Push Rod
- Snowblower Push Rod
- Front Drive Kit Push Rod Pivot Pin
- Hitch Pin

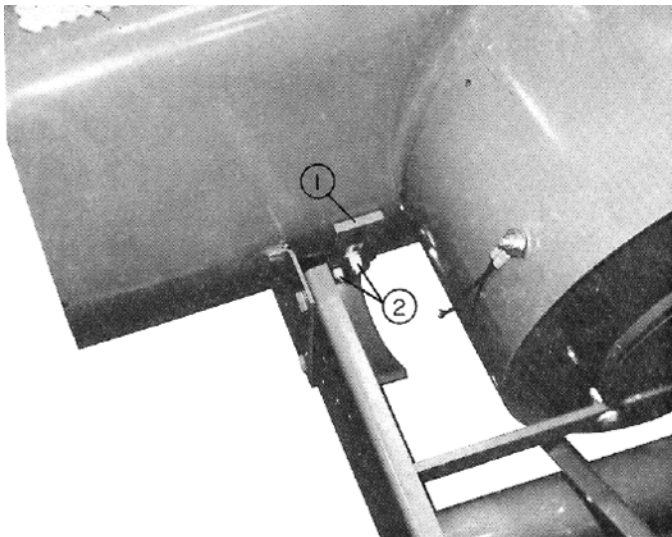
Figure 5.0-4

- Put the universal joint shaft into the universal joint tube and put the universal joint shaft on the drive shaft of the front drive kit as shown in figure 5.0-3.
- Put the snowblower push rod on the snowblower support and fasten with the hitch pin. Then put the front drive kit push rod in the snowblower push rod.
- Put the front drive kit push rod pivot pin in the top hole in the attachment lift on the tractor and fasten with the hitch pin as shown in figure 5.0-4.

6.0 OPERATING THE 38 & 44 INCH SNOWBLOWERS

Read the tractor Operator's Manual. Know how to operate the tractor controls.

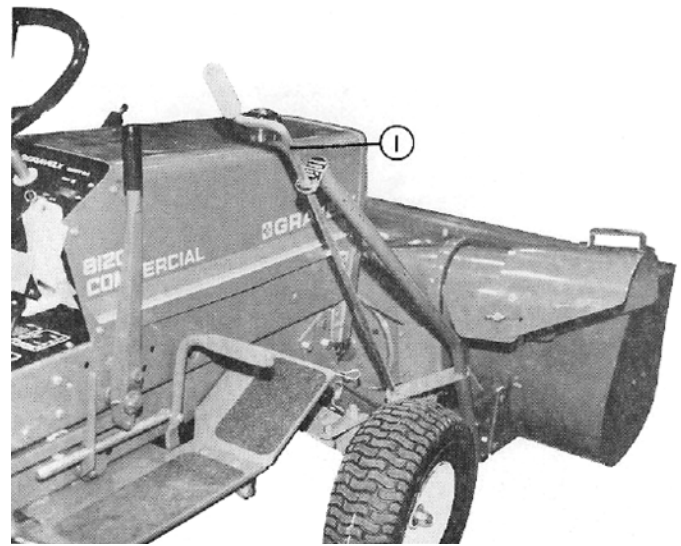
1. Adjust the skids shown in figure 6.0-1 to give ground clearance needed for the surface conditions. When removing snow from a gravel surface, adjust the skids to raise the snowblower to prevent gravel from going into the snowblower. When removing snow from a smooth surface, the snowblower can be lowered until the wearstrip contacts the surface.



1 – Skid
2 – Bolt

Figure 6.0-1

2. Adjust the deflector chute by loosening the wing nut shown in figure 4.0-2. The deflector chute controls the distance the snow will be blown.
3. Start the tractor engine. Wait until the engine is
4. Push the discharge chute crank in and turn the crank to rotate the discharge chute to a position that snow will be blown away from the area that is being cleaned. See figure 6.0-2.
5. Lower the snowblower to the ground.
6. Put the RANGE selector in the LO position.



1 - Discharge Chute Crank

Figure 6.0-2.

7. Engage the PTO.
8. Move the throttle lever to the FAST position.
9. Put the GEAR selector in the 2 position.

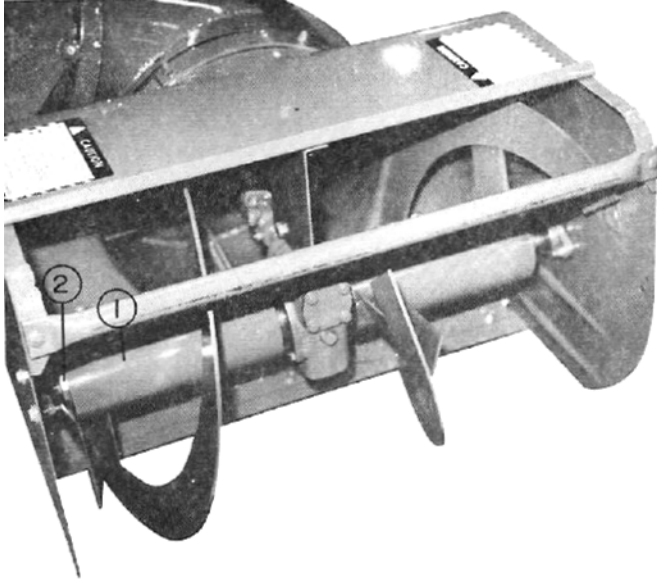
NOTE: When going through the snow for the first time, a full width passage must be cut. The forward speed must be slow enough to permit the snow to go through the discharge chute without being stopped.

10. Put the Direction Control Lever in the forward position and make the first passage through the snow.

WARNING:

The snowblower auger or impeller can be stopped by too much ice, snow or debris while the engine is still giving power to the snowblower. Severe injury to the person can be caused when cleaning the snowblower while the engine is running. NEVER CLEAN THE SNOWBLOWER WITH THE ENGINE RUNNING.

11. On the next and remaining passages, cut as much snow as will go through the discharge chute without being stopped.
12. If the reel stops turning while the fan continues to turn, disengage the PTO, stop the engine and tighten the nuts on each end of the reel shown in figure 6.0-3 to a torque of 85 ft. lbs. (115 Nm).



1 - Reel
2 - Nut

Figure 6.0-3

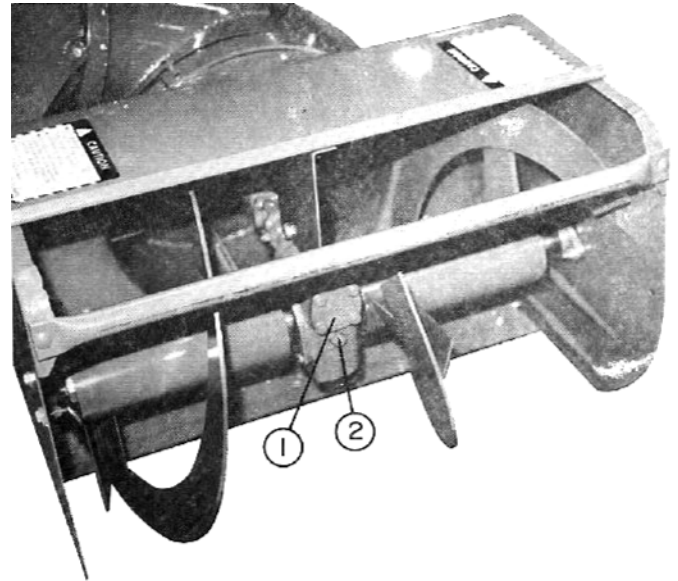
7.0 MAINTENANCE

After Each Use

1. Inspect all nuts, bolts and other fasteners to make sure they are tight and replace any that are gone.
2. Inspect the reel, fan, skids and wearstrip for damage and replace if damaged.
3. Put lubricant on the wire rope where it goes through the guide tubes. Use tractor engine lubricant.
4. Put lubricant in the holes where the fan housing connects to the reel housing. Use tractor engine lubricant.
5. Add multi-purpose grease to the grease fitting on the universal joint until grease comes out the end of the universal joint
6. tube.

8.0 STORAGE

1. Clean the Snowblower.
1. Check the gear housing lubricant level by removing the pipe plug shown in figure 8.0-1. The lubricant level is correct when the lubricant is at the bottom of the pipe plug hole. Add SAE 90W EP gear lubricant when the level is low. Install the pipe plug and tighten it.
2. To prevent rust, put paint or grease on any area where the paint has been removed.



1 --Gear Housing
2 - Pipe Plug

Figure 8.0-1

GRAVELY ATTACHMENT LIMITED WARRANTY

This Limited Warranty is issued by Gravelly Division, McGraw-Edison Company, and consists of the following terms:

1. Only the original purchaser of new Gravelly manufactured attachments is covered by this Warranty.
2. This Warranty covers repair or replacement of parts manufactured by Gravelly which are defective in material or workmanship. Gravelly will pay for parts and labor only.
3. The Warranty starts the date of purchase and lasts for NINETY (90) DAYS for attachments used in Roofer applications, and TWELVE (12) MONTHS for products used in all other applications.
4. Some components of Gravelly attachments are not covered by the Gravelly Warranty. These components are covered by the original manufacturer's warranty, which is included with the product. They are:

- a) Engine - Honda
- b) Tires - Goodyear and Armstrong

5. To obtain warranty service on Gravelly attachments including components not manufactured by Gravelly, use this procedure.

- a. Notify the Gravelly dealer from whom you purchased the attachment.
- b. If you have moved and it is not convenient to notify the selling dealer, notify the nearest Gravelly dealer. You should supply this dealer with a copy of the bill of sale as proof of the date of purchase.
- c. Make arrangements to have the attachment delivered to the dealer (refer to paragraph 6(a) below.
- d. If you have any questions concerning the Gravelly Limited Warranty, they should be referred to

Gravelly Division
McGraw-Edison
Company One Gravelly
Lane Clemmons, NC
27012

Attn: Manager of Customer Services

- e. Warranty service on Gravelly attachments must be performed by an authorized Gravelly dealer or Gravelly factory branch.

6. This Warranty does not cover the following:
 - a. Transportation between owner's home or place of business and the dealership. If the dealer provides the transportation of the attachment, he will charge the owner his usual rate for such service.
 - b. Normal maintenance services and normal replacement of items such as spark plugs, belts, oil, oil filters, air filters, and mower, plow or cultivator blades.
 7. GRAVELLY MAKES NO OTHER EXPRESS WARRANTIES. ANY IMPLIED WARRANTIES, INCLUDING WARRANTIES AS TO MERCHANTABILITY OR FITNESS FOR A PARTICULAR PURPOSE, ARE LIMITED IN DURATION TO THE PERIOD SET OUT IN PARAGRAPH 3 ABOVE. SOME STATES DO NOT ALLOW LIMITATIONS ON HOW LONG AN IMPLIED WARRANTY LASTS, SO THE ABOVE STATEMENT MAY NOT APPLY TO YOU.
 8. GRAVELLY SHALL HAVE NO RESPONSIBILITY FOR INCIDENTAL OR CONSEQUENTIAL DAMAGES RESULTING FROM THE BREACH OF ANY WARRANTY, INCLUDING, BUT NOT LIMITED TO, INCONVENIENCE, RENTAL OR PURCHASE OF REPLACEMENT PRODUCTS, LOSS OF PROFITS OR COMMERCIAL LOSS-SOME STATES DO NOT ALLOW THE EXCLUSION OR LIMITATION OF INCIDENTAL OR CONSEQUENTIAL DAMAGES, SO THE ABOVE LIMITATION OR EXCLUSION MAY NOT APPLY TO YOU.
 9. This Warranty gives *you* specific legal rights, and you may have other rights which *vary* from state to state.
 10. A Gravelly product registration card is supplied with each Gravelly product. Please complete the card and return it to Gravelly at the address listed on the card. The registration card will be used by Gravelly for.
 - a. Recording date of purchase.
 - b. Notification of owners in compliance with the Consumer Product Safety Act, should any notification be necessary.
- The return of registration card is not required in order to take advantages of this Warranty.
11. This Warranty is not subject to change or modification by anyone, including Gravelly dealers and no Gravelly dealer is authorized to make any representations or promises on Gravelly's behalf.

GRAVELLY

Gravelly Division, McGraw-Edison Company
One Gravelly Lane, Clemmons, NC 27012

Free Manuals Download Website

<http://myh66.com>

<http://usermanuals.us>

<http://www.somanuals.com>

<http://www.4manuals.cc>

<http://www.manual-lib.com>

<http://www.404manual.com>

<http://www.luxmanual.com>

<http://aubethermostatmanual.com>

Golf course search by state

<http://golfingnear.com>

Email search by domain

<http://emailbydomain.com>

Auto manuals search

<http://auto.somanuals.com>

TV manuals search

<http://tv.somanuals.com>