



# Gear Pro Series

## Parts Manual

---

### Models

988100 - GR1336FX  
988102 - GR1548FX  
988114 - GR1336FXP  
988121 - GR1334FX  
988122 - GR1334FXP



00496500 10/05  
Printed in USA



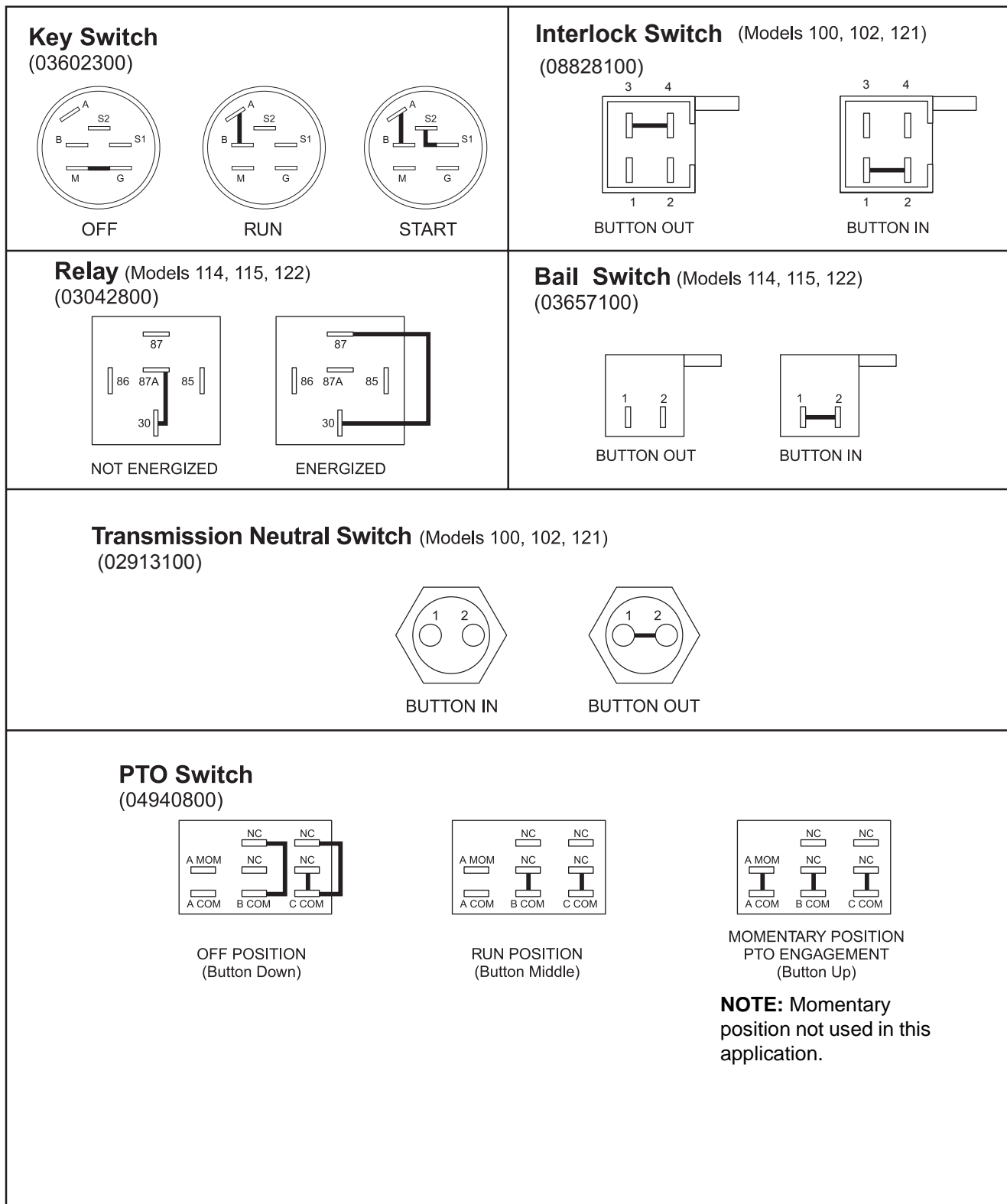
## Page 22 Continuity Diagram

Replace the continuity diagram with the illustration below.

The diagrams below show the various states of connection for electrical components.

The solid lines on switches show continuity.

**NOTE:** All switches are viewed from the rear.



## THE MANUAL

---

Before you operate your unit, carefully and completely read manuals supplied with the unit. The contents will provide you with an understanding of safety instructions and controls during normal operation and maintenance.

For your safety and the safety of others always read, understand, and follow all DANGER, WARNING, and CAUTION messages found in manuals and on safety decals.

Hardware descriptions are given in decimals.

Decimals to Fractions			
.063	1/16	.563	9/16
.125	1/8	.625	5/8
.188	3/16	.688	11/16
.250	1/4	.750	3/4
.313	5/16	.813	13/16
.375	3/8	.875	7/8
.438	7/16	.938	15/16
.500	1/2	1.00	1

## SERVICE AND REPLACEMENT PARTS

---

When ordering replacement parts or making service inquiries, know the Model and Serial numbers of your unit and engine.

Numbers are located on the product registration card in the unit literature package. They are printed on a serial number label, located on the frame of your unit.

- Record Unit Model and Serial numbers here:

- Record Engine Model and Serial numbers here:

## UNAUTHORIZED REPLACEMENT PARTS

Use only Gravely replacement parts. The replacement of any part on this vehicle with anything other than a Gravely authorized replacement part may adversely affect the performance, durability, or safety of this unit and may void the warranty. Gravely disclaims liability for any claims or damages, whether warranty, property damage, personal injury or death arising out of the use of unauthorized replacement parts.

## PRODUCT REGISTRATION

---

The Gravely dealer must register the product at the time of purchase. Registering the product will help the company process warranty claims or contact you with the latest service information. All claims meeting requirements during the limited warranty period will be honored, whether or not the product registration card is returned. Keep a proof of purchase if you do not register your unit.

**Customer Note:** If Dealer does not register your product, please fill out, sign and return the product registration card to Gravely.

## YOUR SATISFACTION IS IMPORTANT

---

**Questions? Please follow these helpful steps:**

1. Refer to the manuals supplied with your unit.  
They will guide you through safe and proper operation and maintenance.  
They contain specifications on your unit.  
If your questions are not answered in these manuals, go to step number two.
2. Contact Your Dealer.  
Our dealers will be happy to supply any service or advice required to keep your unit operating at peak efficiency.  
A factory trained staff is available to support your equipment needs. They stock genuine Gravely parts and lubricants manufactured with the same precision and skill as the original.  
If your questions are not resolved by the support staff, ask for the manager or owner.  
When contacting your Dealer supply your model and serial numbers.

## TO SPEED PARTS ORDERING:

1. Know the model and serial numbers of your unit.
2. Know the part number required.
3. Know the quantity required.
4. Know the part description.

## MODELS

---

### Domestic

#### Model 988100

13hp Kawasaki, Recoil  
36" Fixed Mower Deck  
Serial No. 003000 and up

#### Model 988102

15hp Kawasaki, Recoil  
48" Fixed Mower Deck  
Serial No. 003000 and up

#### Model 988114

13hp Kawasaki, Recoil, Pro Steer  
36" Fixed Mower Deck  
Serial No. 003000 and up

#### Model 988121

13hp Kawasaki, Recoil  
34" Fixed Mower Deck  
Serial No. 000101 and up

#### Model 988122

13hp Kawasaki, Recoil, Pro Steer  
34" Fixed Mower Deck  
Serial No. 000101 and up

## TABLE OF CONTENTS

---

### DECALS

---

Decals . . . . . 4

### MAIN FRAME

---

Frame and Handlebars . . . . . 6

Hand Controls - Pistol Grips. . . . . 8

Wheels . . . . . 9

### ENGINE & DRIVE

---

Engine, Fuel and Exhaust System . . . . . 10

Traction Controls . . . . . 12

Gear Selector . . . . . 14

Transmission . . . . . 16

### ELECTRICAL

---

Electrical Systems . . . . . 18

Wiring Diagrams. . . . . 20

Continuity Diagrams. . . . . 22

### DECKS

---

36" and 48" Fixed Deck and Mower Frame . . . . . 25

36" Discharge Chute and Baffles . . . . . 30

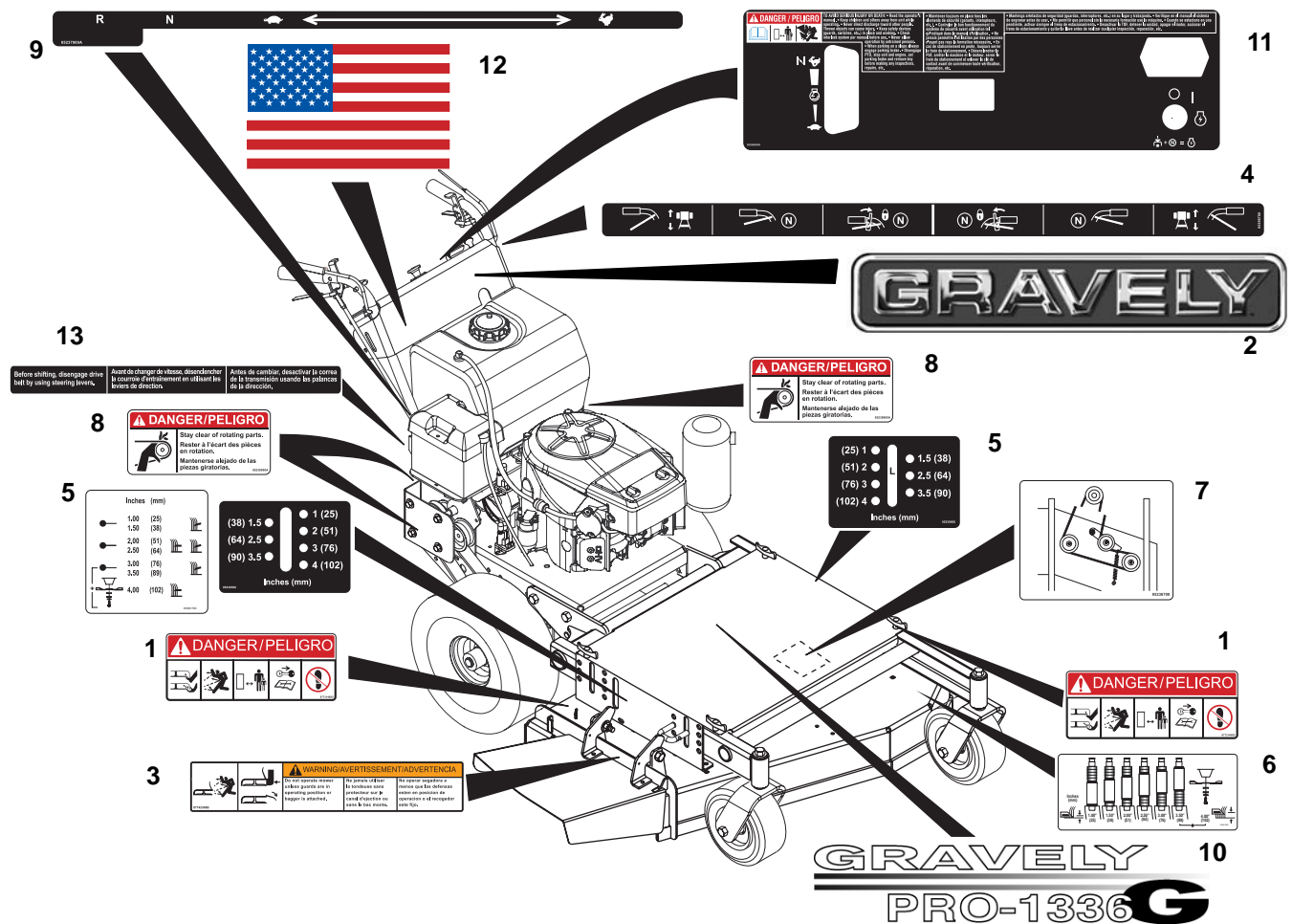
48" Discharge Chute and Baffles . . . . . 31

48" Belts, Idlers and Blades . . . . . 32

36" Belts, Idlers and Blades . . . . . 34

# DECALS - 34", 36" AND 48" FIXED DECKS

Model 988100, 102, 114, 121, 122



Item	Part No.	Qty.	Description
1	07731400	2	Decal, Mower Pan Head Danger
2	05225500	1	Decal- 15" Gravely Logo
3	07742300	1	Decal, Warning
4	05356700	1	Decal, Steer Levers (100, 102, 121)
	05357900	1	Decal-Steer Levers-Gear-Pro Steer (114, 122)
5	05236500	1	Decal-Height of Cut-Fixed- Right Hand (100, 102, 114)
	05236600	1	Decal-Height of Cut-Fixed- Left Hand (100, 102, 114)
	05361700	1	Decal-Height of Cut-Rear-1334 (121, 122)
6	05361600	1	Decal-Height of Cut-Front-1334 (121, 122)
7	05236700	1	Decal-Belt Diagram-2 Spindle (100, 114)
	05236800	1	Decal-Belt Diagram-3 Spindle (102)
	00166500	1	Decal-Belt Diagram (121, 122)
8	05236900	3	Decal-Danger-Belt Rotating
9	05237000	1	Decal-Shift Lever
10	05237100	1	Decal-Pro 1336G (100, 114)
	05237300	1	Decal-Pro 1548G (102)
	00369800	1	Decal-Pro 1334G (121, 122)
11	05358400	1	Decal, Control GR15 (100, 102, 121)
	05358000	1	Decal, Control GR15-Pro Steer (114, 122)
12	05305100	1	Decal, American Flag
13	05361500	1	Decal, Declutch

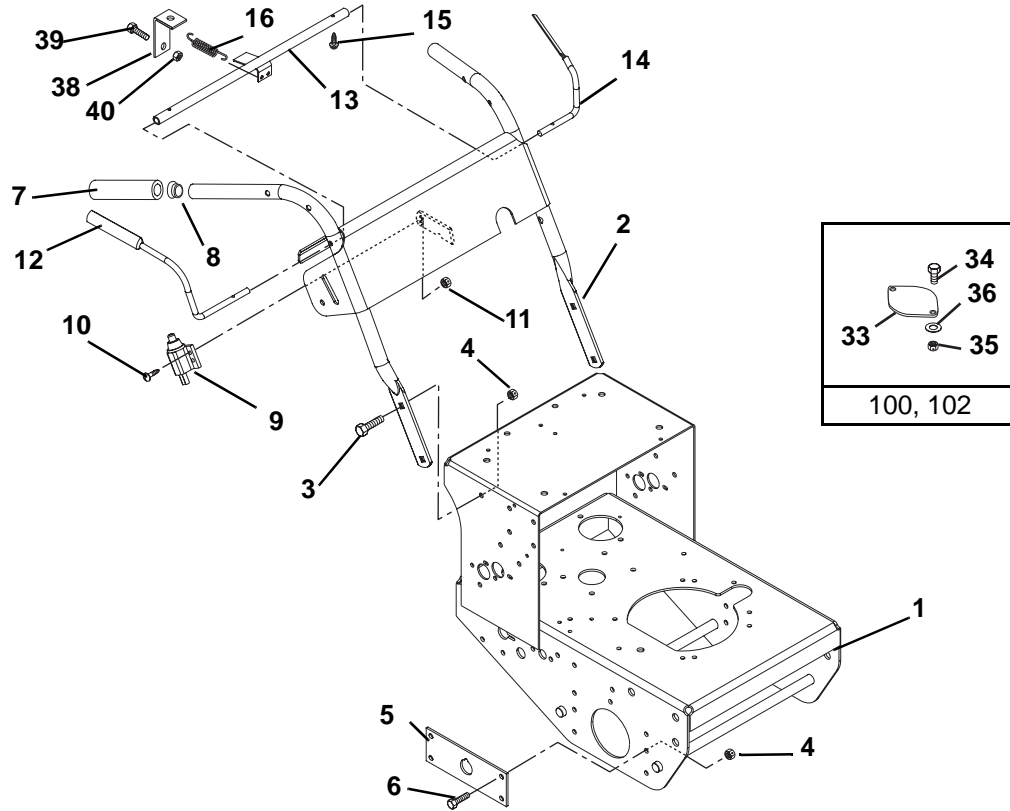
PG1590

# NOTES

---

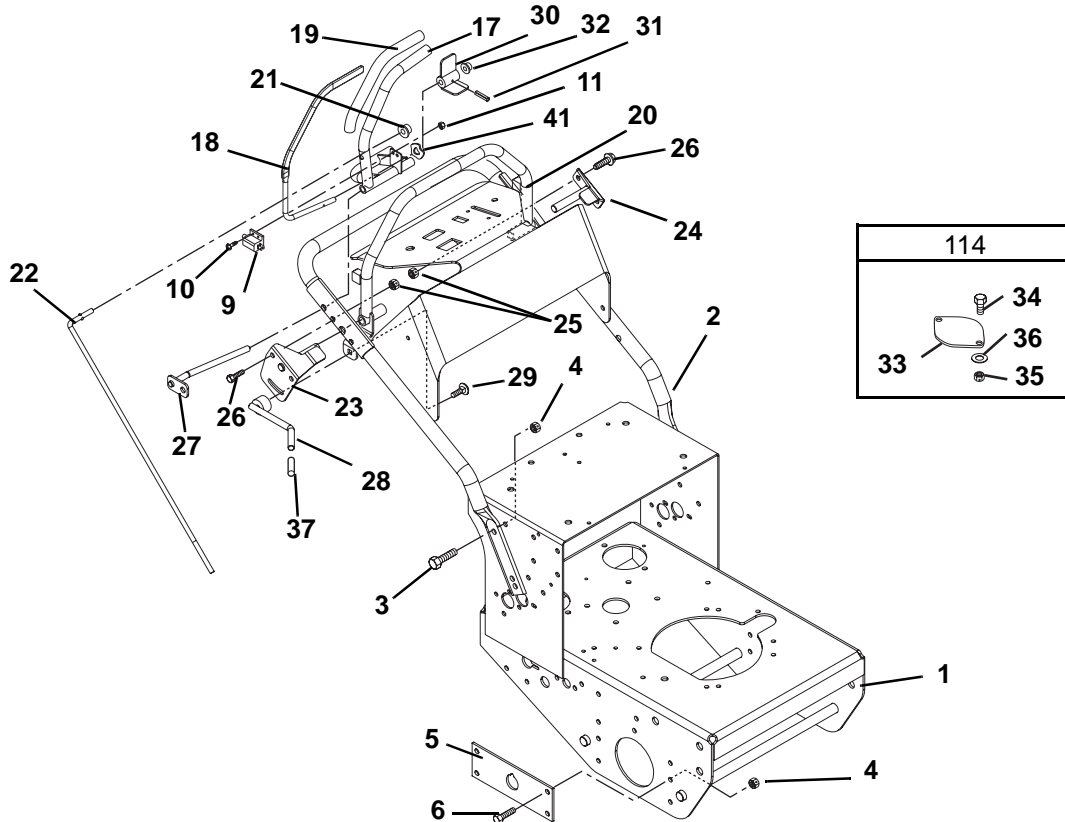
# FRAME AND HANDLEBARS

Model 988100, 102, 121



PG1280

Model 988114, 122



PG1631



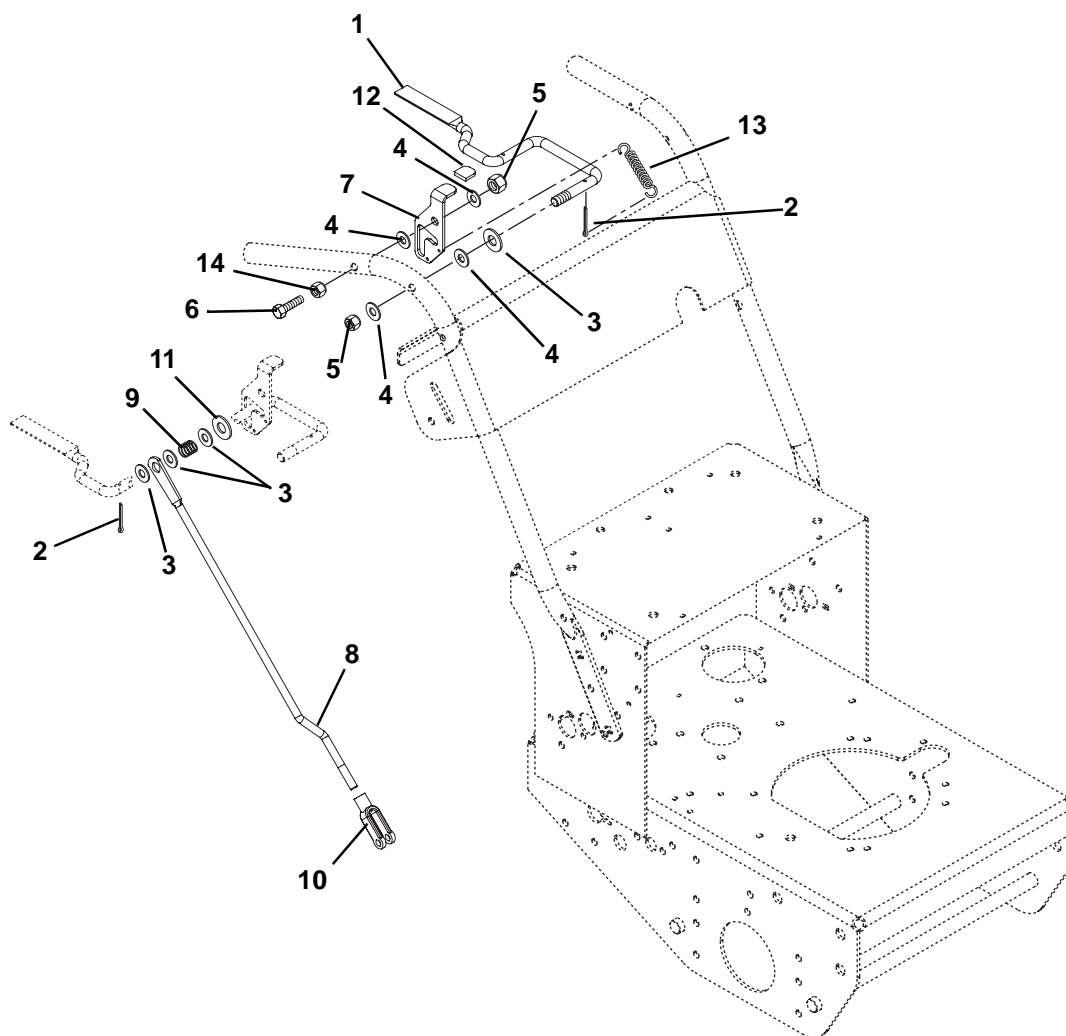
# FRAME AND HANDLEBARS

Model 988100, 102, 114, 121, 122

Item	Part No.	Qty.	Description
1	58804200	1	Kit-Frame with Decals (100, 102, 114)
	58807500	1	Kit-Frame with Decals - 1334 (121, 122)
2	58805300	1	Kit-Handlebar with Decals GR13 (100)
	58805400	1	Kit-Handlebar with Decals GR15 (102)
	58807000	1	Kit, Handlebar with Decals GR13/15-Pro Steer (114, 122)
	58807600	1	Kit, Handlebar with Decals - 1334 (121)
3	05948700	4	Bolt-Hex .38-16 x 1.00 Grade 5
4	06535800	12	Nut-Locking-Nylon .38-16
5	04922300	2	Plate, Support
6	05948700	8	Bolt-Hex .38-16 x 1.00 Grade 5
7	04928800	2	Grip, Handlebar (100, 102, 121)
8	07533300	2	Caplug, Handlebar (100, 102, 121)
9	03606600	1	Switch, Double Pole (100, 102, 121)
	03657100	2	Switch, Interlock (114, 122)
10	06116900	2	Screw, Machine 10-24 x .75 Hex Washer Head (100, 102, 121)
	06116900	4	Screw-Machine 10-24 x .75 Hex Washer Head (114, 122)
11	06536000	2	Nut-Locking-Nylon 10-24 with Insert (100, 102, 121)
	06536000	4	Nut-Locking-Nylon 10-24 with Insert (114, 122)
12	04924100	1	Lever, Right Hand-Operator Presence (100, 102, 121)
13	04924000	1	Weldment, Pivot Tube (100, 102, 121)
14	04924200	1	Lever, Left Hand-Operator Presence (100, 102, 121)
15	07415600	2	Screw-Tapping 8-32 x .50 Hex Washer Head (100, 102, 121)
16	08337000	1	Spring-Tension .047 x .438 x 1.45 (100, 102, 121)
17	04944351	1	Weldment, Lever-Right Hand Speed Control (114, 122)
	04944451	1	Weldment-Lever-Left Hand Speed Control (114, 122)
18	04944100	2	Lever- Operator Presence (114, 122)
19	07534500	2	Grip- Handlebar (114, 122)
20	04944951	1	Weldment- Speed Control Stop (114, 122)
21	05711300	2	Ring-Retaining-External .375 x .010 (114, 122)
22	04950500	2	Rod, Steering (114, 122)
23	04944800	1	Weldment, Control Stop Limiter-Right Hand (114, 122)
24	04938300	1	Weldment, Control Stop Limiter-Left Hand (114, 122)
25	06543100	4	Nut-Locking-Top-Flange .31-18 (114, 122)
26	05957400	4	Bolt-Hex .31-18 x 1.75 Grade 5 (114, 122)
27	04943200	1	Weldment, Speed Control Pivot- Right Hand (114, 122)
	04943300	1	Weldment, Speed Control Pivot- Left Hand (114, 122)
28	04944700	1	Lever- Control Stop Lock (114, 122)
29	06223900	1	Bolt-Round Head Square Neck .38-16 x .75 Grade 2 (114, 122)
30	04936900	2	Actuator, Switch (114, 122)
31	05803400	2	Pin-Roll .125 x .75 (114, 122)
32	06514900	2	Nut-Push .312 (114, 122)
33	04926053	2	Plate, Cover (100, 102, 114)
34	05959400	4	Bolt-Hex .38-16 x .75 Grade 5 (100, 102, 114)
35	06542000	4	Nut-Locking-Flange .375-16 (100, 102, 114)
36	06436200	4	Washer-Flat-Steel .406 x .812 x .065 (100, 102, 114)
37	07528300	1	Grip, Hand Clutch Lever (114, 122)
38	04928900	1	Bracket, Brake Link (100, 102, 121)
39	05946800	1	Bolt, Hex .25-20 x .75 Grade 5 (100, 102, 121)
40	06531000	1	Nut, Locking Nylon .25-20 (100, 102, 121)
41	038843	1	Washer, Wave (114, 122)

# HAND CONTROLS - PISTOL GRIPS

Model 988100, 102, 121

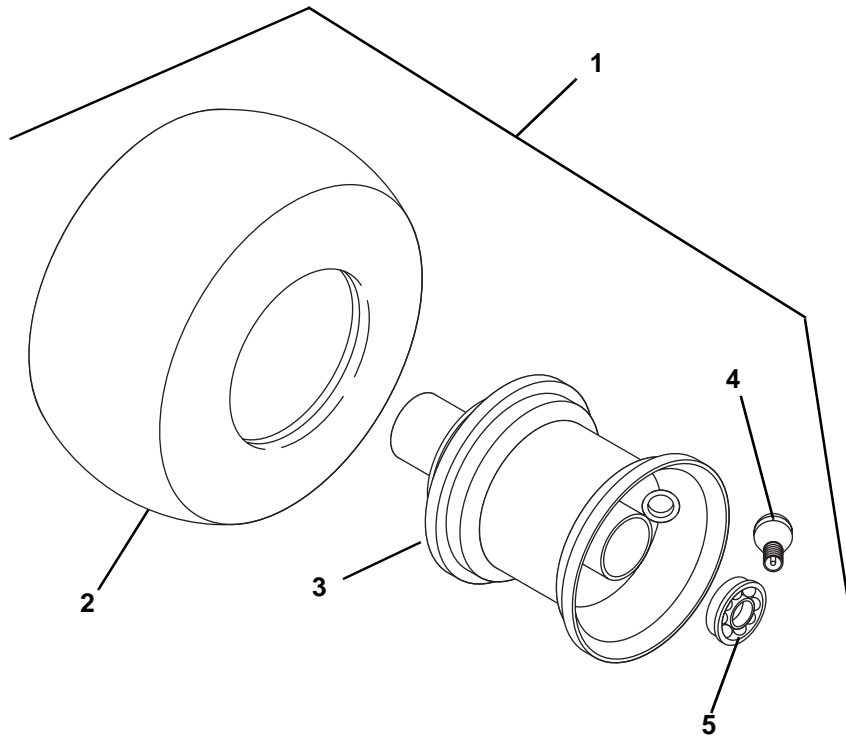


PG1290

Item	Part No.	Qty.	Description
1	04905200	1	Lever, Hand Control Left Hand
	04922400	1	Lever, Hand Control Right Hand
2	06706900	4	Pin-Cotter .09 x .75
3	06436200	8	Washer-Flat-Steel .406 x .812 x .065
4	020775	8	Washer-Flat-Nylon .375 x .75 x .060
5	06529600	4	Nut-Locking-Center .38-16
6	05921600	2	Bolt-Hex .38-16 x 2.50 Grade 2
7	04922700	1	Latch, Right Hand Thumb
	04922600	1	Latch, Left Hand Thumb
8	04947800	2	Rod, Steering Link
9	043193	2	Spring-Compression .045 x .60 x .75
10	018380	2	Clevis, .38-24 Adjustable
11	06441000	2	Washer-Flat-Steel .50 x 1.25 x .083
12	04928700	2	Grip, Thumb Latch
13	08339300	2	Spring-Tension .041 x .50 x 1.75
14	06537200	2	Nut-Locking-Jam-Center .375-16

# WHEELS

Model 988100, 102, 114, 121, 122

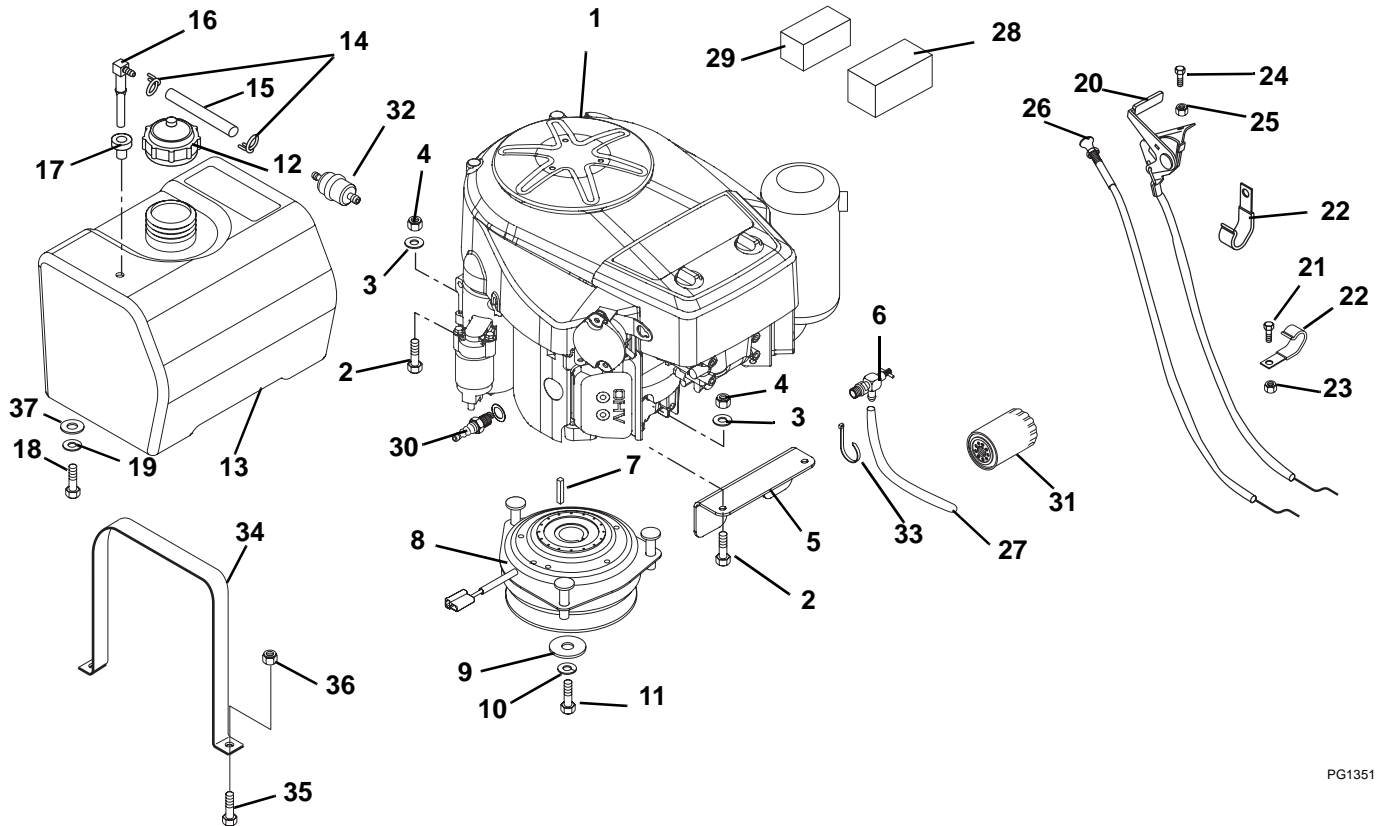


PG0590

Item	Part No.	Qty.	Description
1	07157300	2	Assembly, Wheel and Tire 16 x 6.50 (Includes 2 - 5) (100, 102, 114)
	07160700	2	Assembly, Wheel and Tire 13 x 6.50-6 4Ply (includes 2 - 5) (121, 122)
2	07157700	1	Tire, 16 x 650-8 4Ply (100, 102, 114)
	07160900	1	Tire, 13 x 6.50-6 4Ply (121, 122)
3	07157600	1	Rim Assembly (100, 102, 114)
	07160800	1	Assembly, Wheel 13 x 6.50-6 (121, 122)
4	011191	1	Valve Stem Assembly
5	05436500	2	Bearing, 1" Sealed

# ENGINE, FUEL AND EXHAUST SYSTEM

988100, 102, 114, 121, 122



PG1351

Item	Part No.	Qty.	Description
1	08266800	1	Engine, 15 HP Kawasaki (102)
	08266700	1	Engine, 13 HP Kawasaki (100, 114, 121, 122)
2	05957400	4	Bolt-Hex .31-18 x 1.75 Grade 5
3	06308600	4	Washer-Locking .31 x .078 Regular
4	06529200	4	Nut-Hex .31-18
5	04923551	1	Bracket, Clutch
6	04923600	1	Valve, Oil Drain
7	06603400	1	Key-Square .25 x 1.25 x .25 SAE 8630 OR SAE 1035 (100, 102, 114)
	06602200	1	Key-Square .25 x 1.00 x .25 SAE 8630 (121, 122)
8	04915400	1	Clutch, Electric
9	06443600	1	Washer-Flat-Steel .469 x 2.00 x .25
10	06309300	1	Washer-Locking .44 x .109 Regular
11	05965700	1	Bolt-Hex .44-20 x 3.00 Grade 5 (100, 102, 114)
	05964600	1	Bolt-Hex .44-20 x 2.50 Grade 5 (121, 122)
12	00273700	1	Cap, Fuel (100, 102, 114)
	07533400	1	Cap, Fuel (121, 122)
13	04914000	1	Tank, Fuel (100, 102, 114)
	04949100	1	Tank, Fuel (121, 122)
14	06939100	2	Clamp-Hose Wire .49/.51 x .116
15	021134	1	Gas Line-Bulk .25 I.D.
16	09112300	1	Fitting, Tank
17	050246	1	Bushing (Black in color. Does not replace or interchange with orange colored grommet.)
	00387300	1	Grommet (Orange in color. Does not replace or interchange with black colored bushing.)

# ENGINE, FUEL AND EXHAUST SYSTEM

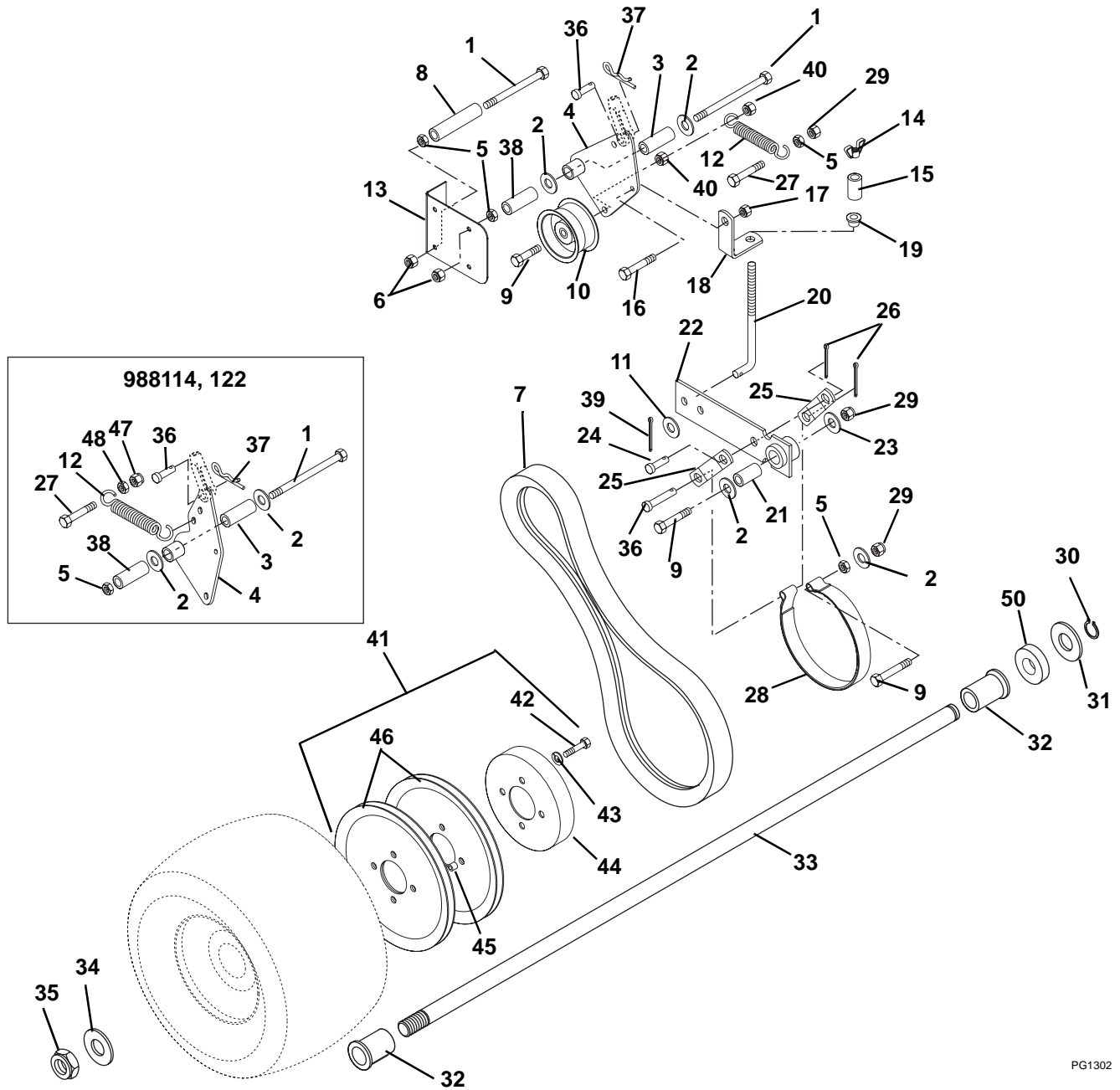
---

Model 988100, 102, 114, 121, 122

Item	Part No.	Qty.	Description
18	05959400	4	Bolt-Hex .38-16 x .75 Grade 5 (100, 102, 114)
19	06308800	4	Washer-Locking .38 x .094 Regular (100, 102, 114)
20	06949800	1	Cable, Throttle-with Liner (100, 102, 121)
	06949100	1	Cable- Throttle-with Liner (114, 122)
21	05947000	1	Bolt-Hex .31-18 x .75 Grade 5
22	044715	2	J-Clamp
23	06530200	1	Nut-Locking-Nylon .312-18
24	06116900	2	Screw-Machine 10-24 x .75 Hex Washer Head
25	06536000	2	Nut-Locking-Nylon 10-24 with Insert
26	035137	1	Control, Choke
27	01590900	1	Tube, Oil Drain
28	21538000	AR	Filter, Air Paper
29	21538100	AR	Filter, Air Foam
30	21533600	AR	Spark Plug
31	21535800	AR	Filter, Oil
32	21538400	AR	Fuel Filter- Kawasaki
33	07517300	1	Cable Tie
34	09112100	2	Tank Strap (121, 122)
35	06219900	4	Bolt, Round Head Square Neck .25-20 x .75 Grade 5 (121, 122)
36	06531000	4	Nut, Locking Nylon .25-20 (121, 122)
37	06436200	4	Washer, Flat Steel .409 x .812 x .065

# TRACTION CONTROLS

Model 988100, 102, 114, 121, 122



PG1302

Item	Part No.	Qty.	Description
1	05970400	4	Bolt-Hex .38-16 x 4.50 Grade 5
2	06436200	8	Washer-Flat-Steel .406 x .812 x .065
3	049022	2	Bushing, Steel .385 x .610 x 1.80
4	04946200	2	Weldment- Wheel Clutch Arm
5	06529400	8	Nut-Hex .38-16
6	06542000	4	Nut-Locking-Flange .375-16
7	07243600	2	Belt, Traction Drive

# TRACTION CONTROLS

Model 988100, 102, 114, 121, 122

Item	Part No.	Qty.	Description
8	08875300	2	Bushing, Spacer, 3.25 x .38 I.D. x .63 O.D.
9	05963300	6	Bolt-Hex .38-16 x 2.00 Grade 5
10	048870	2	Sheave 3.25 x 1.25
11	06437200	2	Washer-Flat-Steel .344 x .688 x .065
12	052617	2	Spring-Tension .105 x 1.00 x 5.00
13	58805200	2	Kit-Belt Cover with Decals (100, 102, 114)
14	06537100	2	Nut-Nylock Wing .31-18
15	043922	2	Bushing
16	05946800	2	Bolt-Hex .25-20 x .75 Grade 5
17	06531000	2	Nut-Locking-Nylon .25-20
18	04928900	2	Bracket, Brake Link
19	045789	2	Bushing-Flange .32 x .62 x .312 Nylon
20	04935500	2	Rod, Brake
21	049027	2	Bushing Sleeve .39 x .622 x .95 Steel
22	049023	2	Weldment, Brake Arm
23	06444000	2	Washer-Flat-Steel .406 x 1.00 x .188
24	06814800	2	Pin-Clevis .38 x .75
25	049026	4	Link, Brake Arm
26	06707300	4	Pin-Cotter .12 x .75
27	05957900	2	Bolt-Hex .38-16 x 1.50 Grade 5 (100, 102, 121)
	05957200	2	Bolt-Hex .31-18 x 2.00 Grade 5 (114, 122)
28	08880600	2	Assembly, Pro Brake Band
29	06535800	6	Nut-Locking-Nylon .38-16
30	017980	1	Ring-Retaining-External .906 x .078
31	06436300	3	Washer-Flat-Steel 1.01 x 1.50 x .062
32	049969	2	Bushing-Flange 1.01 x 1.38 x 1.4 x 1.65
33	04923400	1	Shaft, Axle
34	06439000	1	Washer-Flat-Steel .812 x 1.50 x .135
35	06537900	1	Nut-Locking-Jam-Nylon .75-10
36	06814900	2	Pin-Clevis .38 x 1.25
37	06713500	2	Pin-Hair Internal .08 x .18 x 1.18
38	04923300	2	Bushing, Spacer
39	06706900	2	Pin-Cotter .09 x .75
40	06537200	4	Nut-Locking-Jam-Center .38-16
41	07326900	2	Assembly, Pulley and Drum (Includes 42 - 46)
42	05952400	8	Bolt-Hex .31-18 x 1.50 Grade 5
43	06308600	8	Washer-Locking .31 x .078 Regular
44	049015	2	Drum, Brake
45	048868	8	Bushing, Sleeve .385 x .625 x .475 Steel
46	07326901	4	Sheave 8"
47	06529800	2	Nut-Locking-Center .31-18 (114, 122)
48	06529200	2	Nut-Hex .31-18 (114, 122)
49	58807700	1	Kit, Belt Cover with Decals (121, 122)
50	05519500	1	Bushing, Sleeve 1.04 x 1.75 x 5.00 ST





# GEAR SELECTOR

Model 988100, 102, 114, 121, 122

Item	Part No.	Qty.	Description
1	07530700	1	Grip
2	04950851	1	Lever, Shift (100, 102, 114)
	04948851	1	Lever, Shift (121, 122)
3	06308600	4	Washer-Locking .31 x .078 Regular
4	05946900	2	Bolt-Hex .31-18 x 1.00 Grade 5 (100, 102, 114)
5	05947700	1	Bolt-Hex .25-20 x 1.00 Grade 5
6	06442300	4	Washer-Flat-Steel .25 x .562 x .049
7	04923000	1	Plate, Shift
8	04922951	1	Arm, Shift (100, 102, 114)
9	06543100	2	Nut-Locking-Top-Flange .31-18 (100, 102, 114)
10	04901000	1	Transmission
11	07328500	2	Sheave, Drive
12	124549	3	Key-Woodruff .19 x .75
13	049277	2	Bearing-Flange .625 x 1.875 x .797
14	06531000	5	Nut-Locking-Nylon .25-20
15	06219900	4	Bolt-Round Head Square Neck .25-20 x .75 Grade 5
16	015338	5	Ring-Retaining-External .579 x .930
17	04923100	2	Shaft, Half
18	04901200	2	Coupler
19	411027	2	Fitting, Lube, .25-28
20	034640	1	Switch-Neutral Start (N.C.) (100, 102, 121)
21	06539400	3	Nut-Locking-Center .38-24
22	06437200	2	Washer-Flat-Steel .344 x .688 x .065 (100, 102, 114)
23	051134	1	Weldment, Ground Drive Idler
24	048995	1	Pulley-V 7.50 x .63 Sheave Transmission (100, 102, 114)
	07328600	1	Pulley-V 7.50 x .626 (121, 122)
25	07214200	1	V-Belt 4L-Section 33.9
26	04950000	1	Sheave, Clutch (100, 102, 114)
	04960900	1	Sheave, Clutch (121, 122)
27	041992	1	Bushing, Steel .56 x .745 x 2.04
28	05960000	1	Bolt-Hex .50-13 x 3.25 Grade 5
29	05963300	1	Bolt-Hex .38-16 x 2.00 Grade 5
30	052062	1	Idler-Pulley Flat 3.25 x .625
31	06441900	3	Washer-Flat-Steel .531 x 1.06 x .095 (100, 102, 114)
	06441900	1	Washer-Flat-Steel .531 x 1.06 x .095 (121, 122)
32	010174	2	Bushing-Flange Nylon .762 x 1.00 x .58 x 1.48
33	06540600	1	Nut-Locking-Nylon .50-13
34	06537200	2	Nut-Locking-Jam-Center .375-16
35	06535800	3	Nut-Locking-Nylon .38-16
36	06529400	1	Nut-Hex .38-16
37	07030000	1	Eye Bolt
38	08336100	1	Spring, Extension
39	06306700	1	Washer, Locking .38 x .13
40	05947000	4	Bolt-Hex .31-18 x .75 Grade 5
41	04950453	1	Plate, Shift Lever Detent (100, 102, 114)
	04948953	1	Plate, Shift Lever Detent (121, 122)
42	05948700	2	Bolt-Hex .38-10 x 1.00 Grade 5



# TRANSMISSION

Model 988100, 102, 114, 121, 122

Item	Part No.	Qty.	Description
1	772083A	1	Transmission Cover
2	780086A	1	Needle Bearing .625 ID x .50
	780142	1	Needle Bearing .625 ID x .75
3	770061A	1	Transmission Case
4	776134	1	Countershaft
5	792089A	4	Shift Key
6	784266	1	Shift Collar
7	784376	1	Shift Rod & Fork Assembly
8	778154	1	Bevel Gear (42 Teeth)
9	792176	1	Bevel Pinion (14 Teeth-Steel)
10	792077	1	Steel Ball .31 Diameter
11	792078	1	Set Screw .38-16 x .38
12	780079	1	Spring
13	792071	1	Thrust Bearing
14	792073A	6	Screw .25-20 x 1.25
15	792035	1	Ring, Retaining
16	788040	1	Ring, Retaining
17	780072	6	Washer
18	780108	5	Washer
19	792001	1	"O"-Ring
20	780105A	4	Bushing-Flanged
21	778146A	1	Spur Gear (37 Teeth)
22	778125	1	Spur Gear (35 Teeth)
23	778239A	1	Spur Gear (32 Teeth-Steel)
24	778124A	1	Spur Gear (30 Teeth)
25	778250	1	Spur Gear (27 Teeth)
26	778145	1	Spur Gear (12 Teeth)
27	778151	1	Spur Gear (15 Teeth)
28	778240	1	Spur Gear (18 Teeth)
29	778126A	1	Spur Gear (20 Teeth)
30	778249	1	Spur Gear (23 Teeth)
31	780139	1	Washer
32	776135	1	Input Shaft 3.69 long
33	776402	1	Shifter and Brake Shaft
34	788069	1	Square Cut Ring
35	792074	1	Threaded Plug
36	786081	1	Roller Chain (No. 41, 24 Links)
37	786082	1	Sprocket (9 Teeth)
38	786083	1	Sprocket (18 Teeth)
39	788067B	1	Grease (32 oz. Bottle Bentonite Grease)
40	510334	1	Gasket Eliminator (Loctite #515)
41	786176	1	Optional Coupling (1.813 OD)
	786177	1	Optional Coupling (1.188 OD)
42	776401	1	Optional Connector (6.095 long)
	776403	1	Optional Connector (6.25 long)
	776407	1	Optional Connector (6.630 long)
	776416	1	Optional Connector (7.000 long)

TECUMSEH PRODUCTS COMPANY

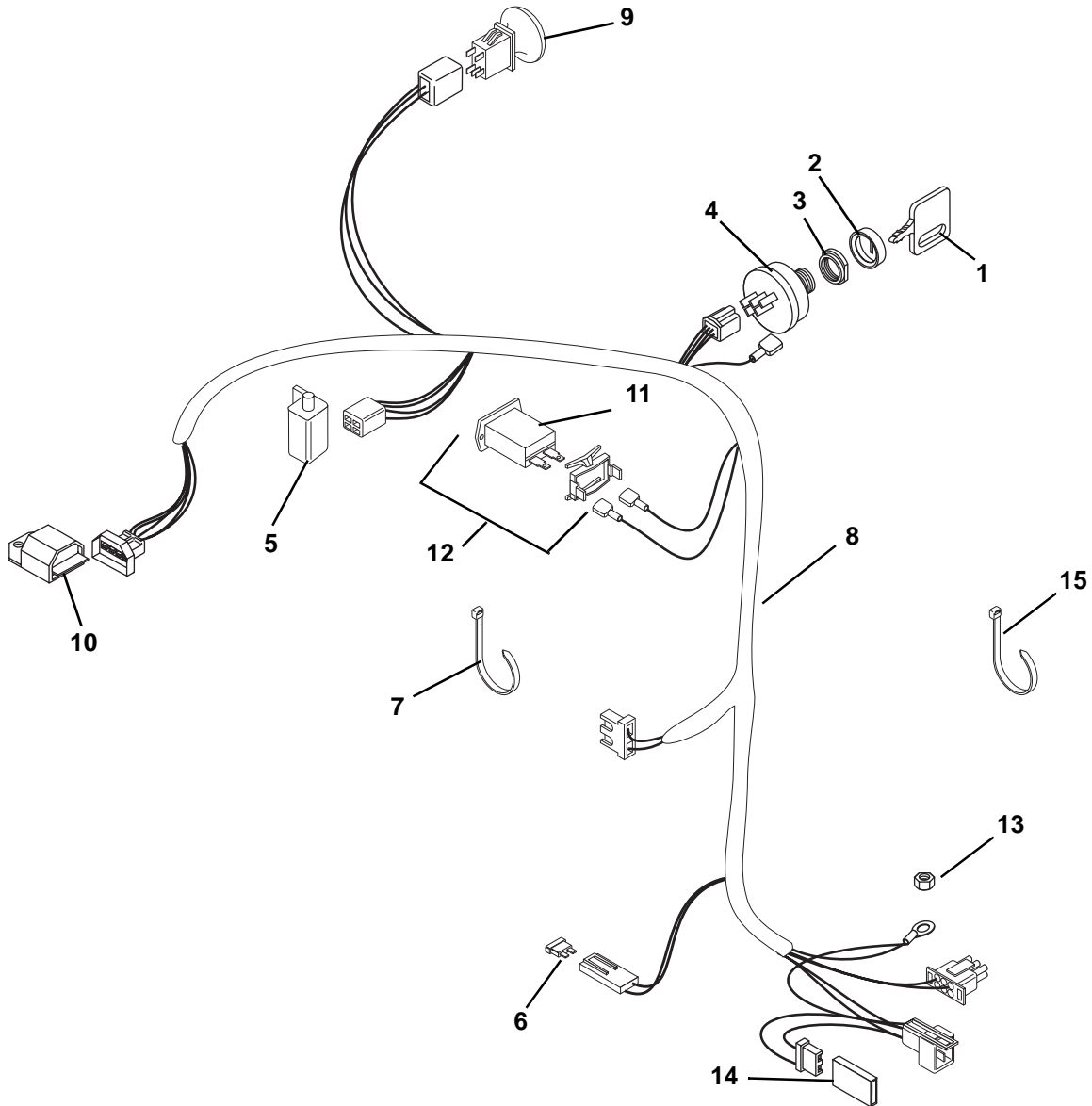
Engine and Gear Service Division

Grafton, Wisconsin

NOTE: Part Numbers listed on this page are Tecumseh part numbers and are to be ordered or purchased from the nearest Tecumseh Service Outlet, which may be found in the Yellow Pages of the Telephone Directory.

# ELECTRICAL SYSTEM - RECOIL START - PISTOL GRIPS

Model 988100, 102, 121

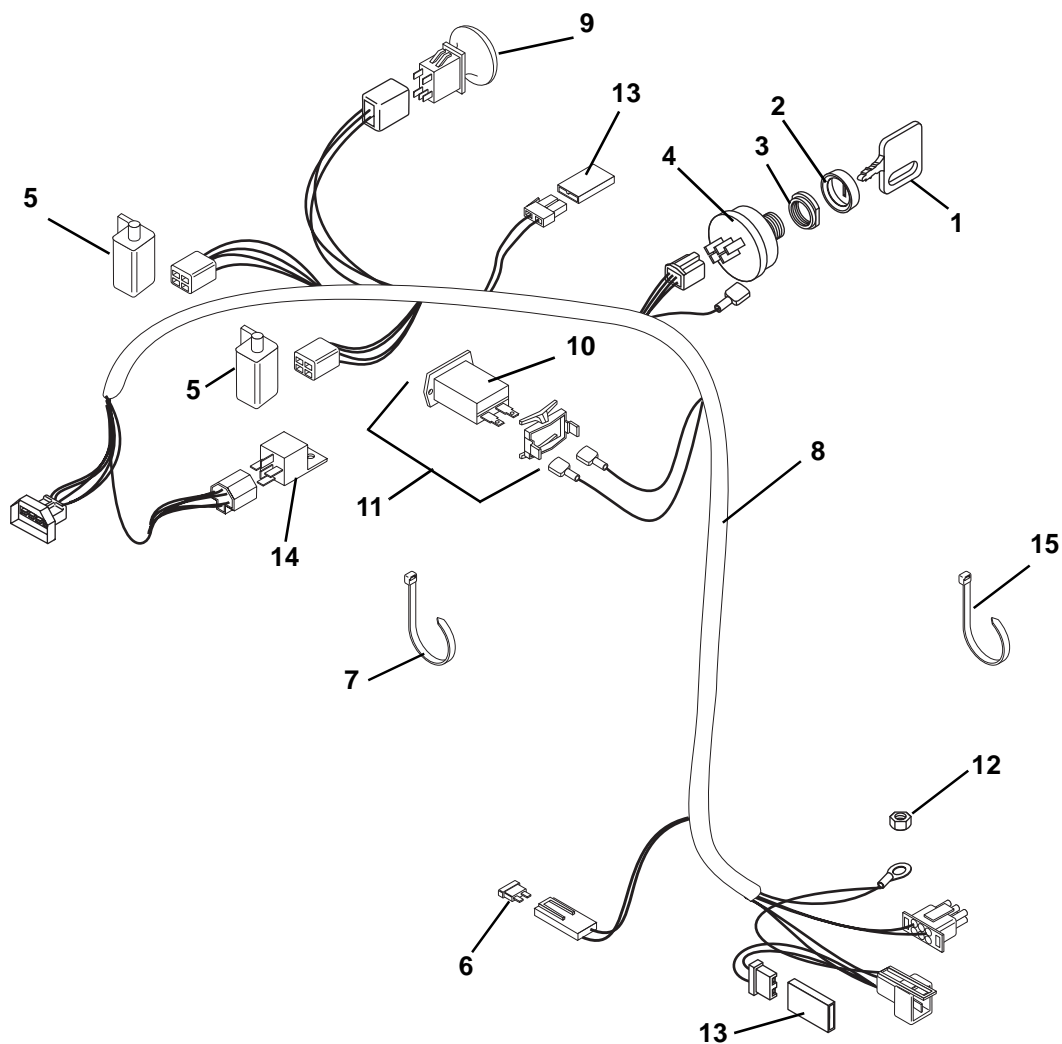


PG1431

Item	Part No.	Qty.	Description
1	02460700	1	Key- with Cap
2	045490	1	Cap, Ignition Switch
3	045489	1	Nut, Panel .562-24
4	03602300	1	Key Switch
5	03606600	1	Switch- Double Pole N.O./N.O.
6	09351100	1	Fuse-25 AMP
7	036313	3	Tie Wrap-Black
8	04923700	1	Wire Harness, Gear Recoil
9	01545600	1	Switch, Clutch With Retainer
10	08885700	1	Module, Interlock Recoil
11	04935700	1	Hour Meter-Quartz
12	78804200	AR	Kit, Hour Meter (Optional)
13	06543100	1	Nut-Locking-Top-Flange .31-18
14	09293500	1	Diode, Connector Shell
15	04003800	2	Tie Wrap

# ELECTRICAL SYSTEM - RECOIL START - PRO STEER

Model 988114, 122

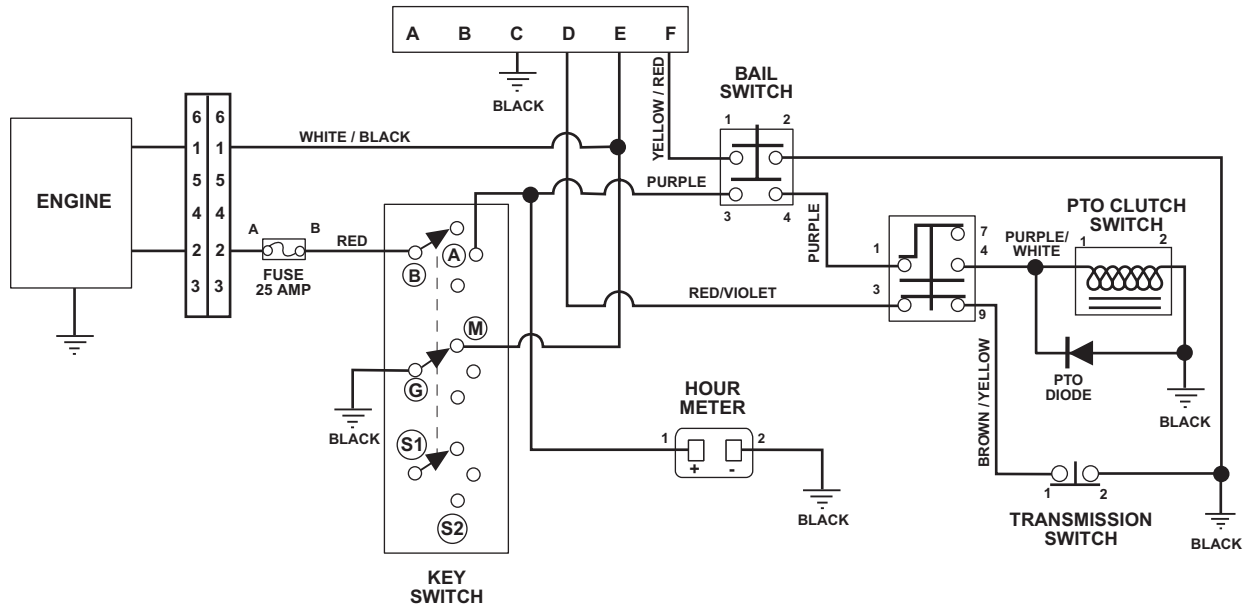


PG1641

Item	Part No.	Qty.	Description
1	02460700	1	Key- with Cap
2	045490	1	Cap, Ignition Switch
3	045489	1	Nut, Panel .562-24
4	03602300	1	Key Switch
5	03657100	2	Switch- Single Pole (N.O.)
6	09351100	1	Fuse-25 AMP
7	036313	3	Tie Wrap-Black
8	04940900	1	Harness, Wire Gear Recoil-Pro Steer
9	04940800	1	Switch, Clutch
10	04935700	1	Hour Meter-Quartz
11	78804200	AR	Kit, Hour Meter (Optional)
12	06543100	1	Nut-Locking-Top-Flange .31-18
13	09293500	2	Diode, Connector Shell
14	03042800	1	Relay
15	04003800	2	Tie Wrap

# WIRING DIAGRAM - RECOIL START - PISTOL GRIPS

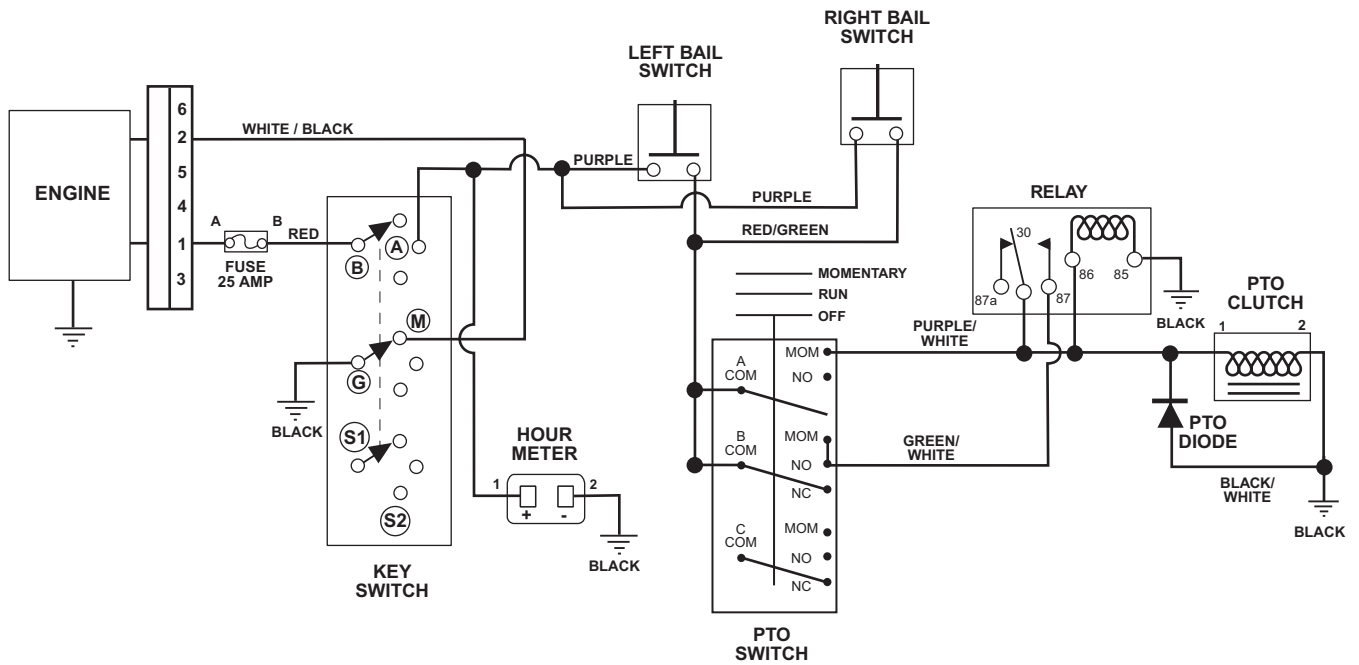
Model 988100, 102, 121



PG1481

# WIRING DIAGRAM - RECOIL START - PRO STEER

Model 988114, 122



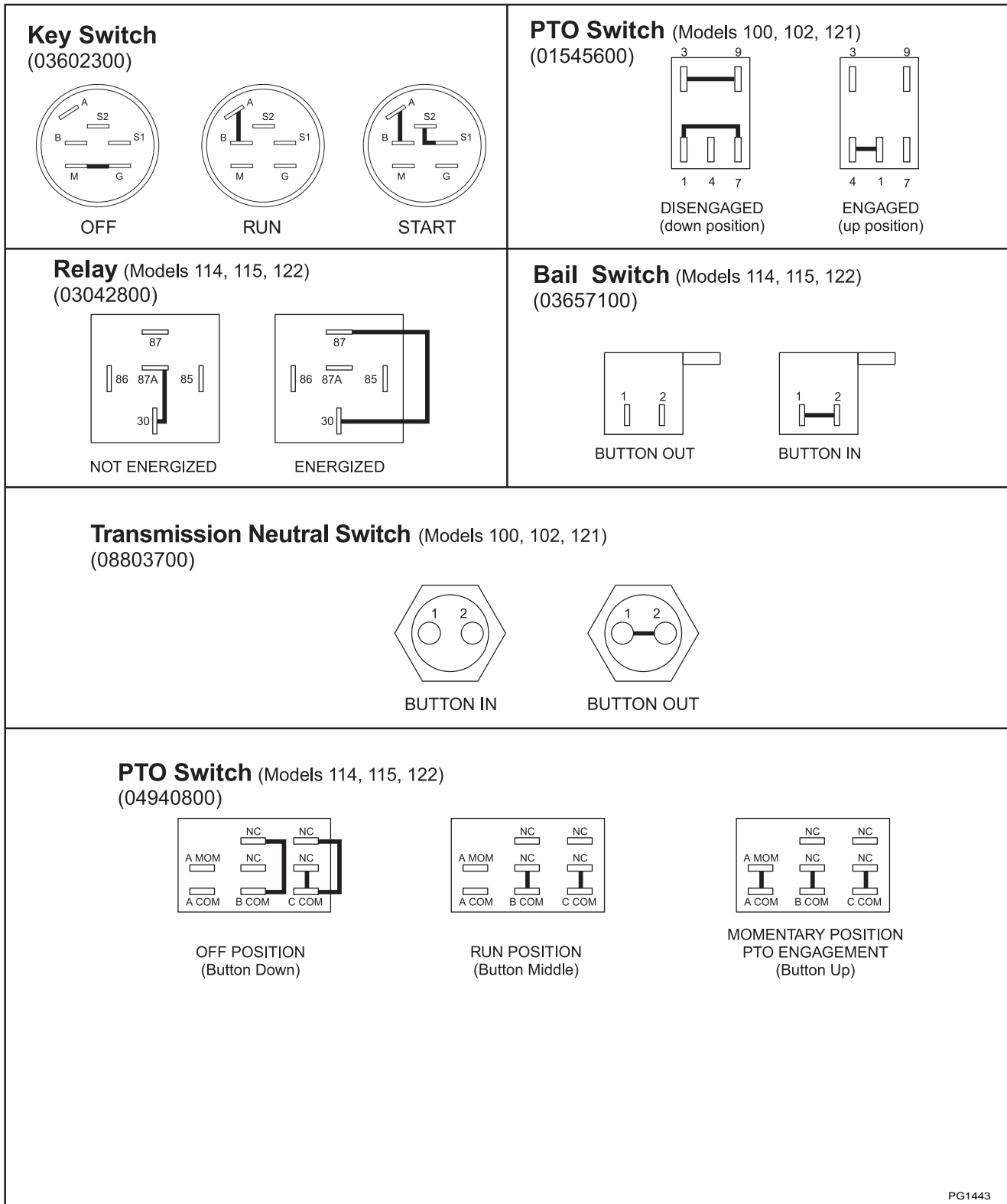
PG1653

# CONTINUITY DIAGRAM

## Model 988100, 102, 114, 121, 122

The diagrams below show the various states of connection for electrical components.  
The solid lines on switches show continuity.

**NOTE:** All switches are viewed from the rear.



PG1443

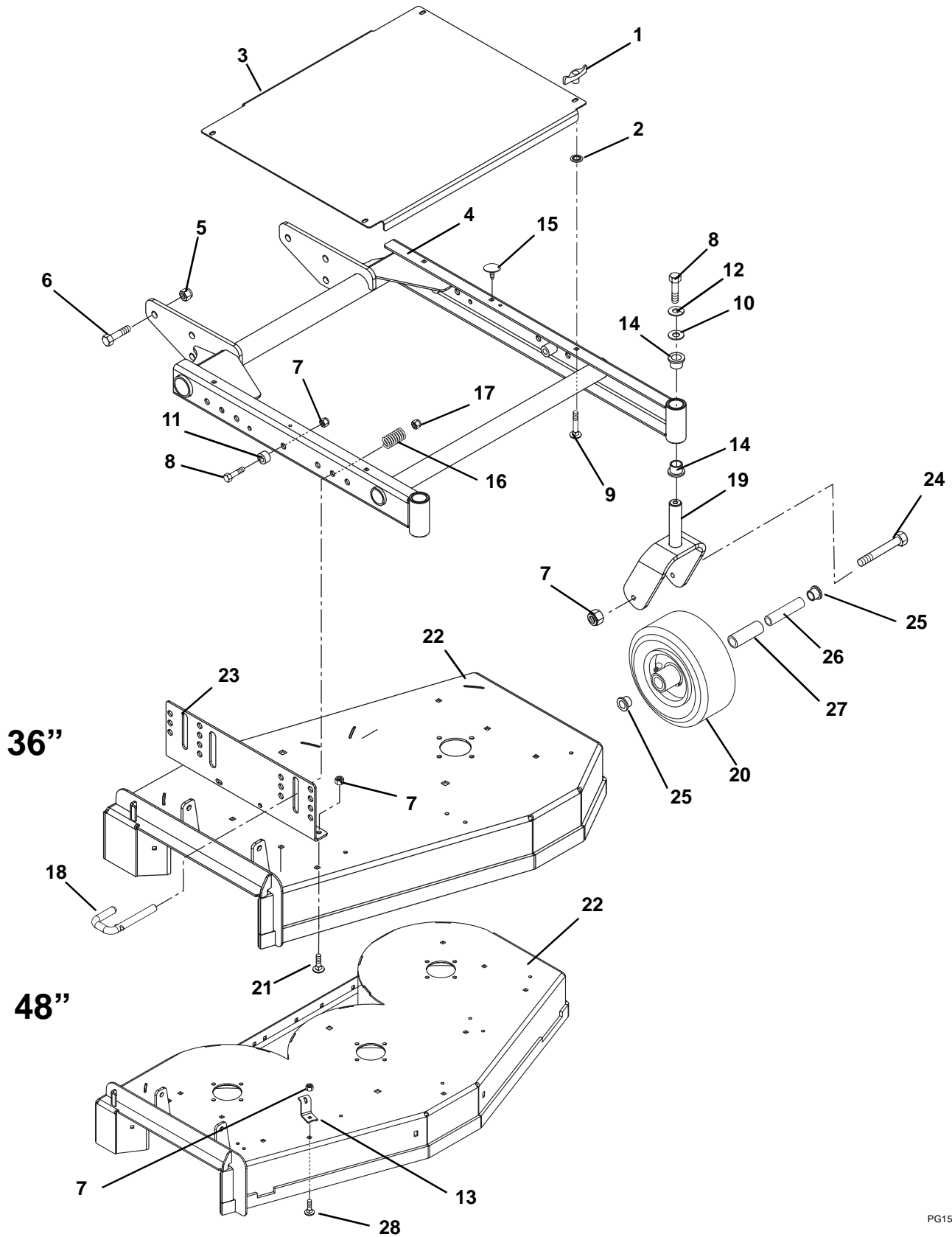


# NOTES

---

# 36" AND 48" FIXED DECK AND MOWER FRAME

Model 988100, 102, 114



PG1510

# 36" AND 48" FIXED DECK AND MOWER FRAME

Model 988100, 102, 114

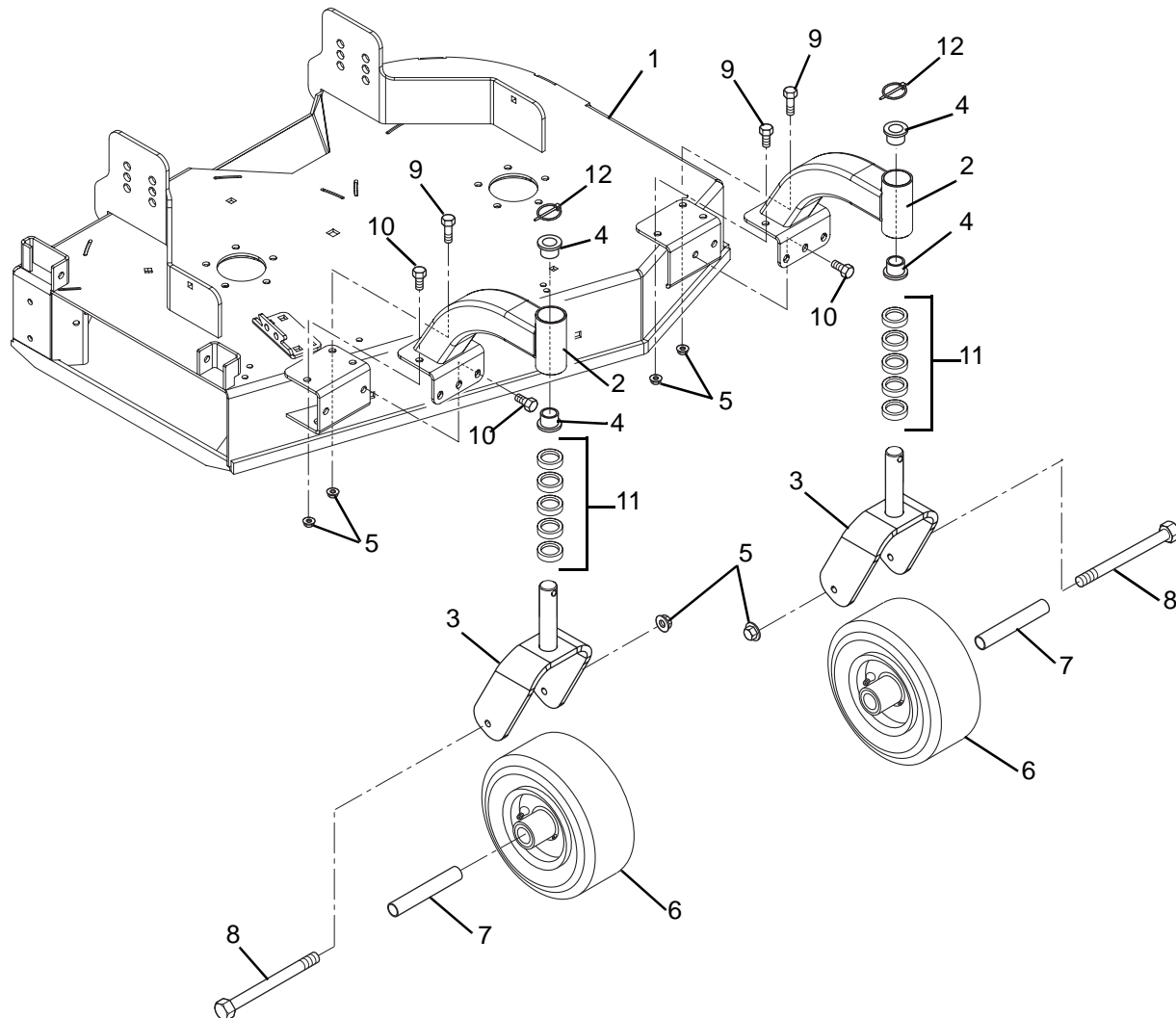
Item	Part No.	Qty.	Description
1	07531700	4	Knob- Wing .312-18 (100, 102, 114)
2	040380	4	Nut-Push .312 (100, 102, 114)
3	04916753	1	Cover, Belt Pro Mower (100, 114)
	04919853	1	Cover, Belt Pro Mower (102)
4	04916653	1	Weldment - Mower Frame 36" (100, 114)
	04919753	1	Weldment - Mower Frame 48" (102)
5	06540700	6	Nut-Locking-Nylon .625-11
6	05968700	6	Bolt-Hex .62-11 x 1.50
7	06542000	10	Nut-Locking-Top-Flange .38-16 (100, 114)
	06542000	11	Nut-Locking-Top-Flange .38-16 (102)
8	05958000	4	Bolt-Hex .38-16 x 1.25 Grade 5
9	06221800	4	Bolt-Round Head Square Neck .31-18 x 1.00 (100, 102, 114)
10	06443400	2	Washer-Flat-Steel .38 x 1.50 x .125
11	043922	2	Bushing
12	06308800	2	Washer-Locking .38 x .094 Regular
13	09245353	1	Anchor, Spring (102)
14	05533600	4	Bushing-Flange 1.00 x 1.25 x 1.50 x 1.50
15	07503100	2	Bumper Grommet .125 x .25 Dia.
16	051650	4	Spring-Compression .058 x .65 x 2.13
17	06536300	4	Nut-Locking-Center .50-13
18	04920400	4	Pin- Latch
19	04917053	2	Weldment-Caster Fork
20	07157200	2	Wheel 9 x 3.50
21	06223600	6	Bolt-Round Head Square Neck .38-16 x 1.00 Grade 5 (100, 102, 114)
22	58804500	1	Kit, 36" Fixed Mower Deck with Decals (100, 114)
	58804600	1	Kit, 48" Fixed Mower Deck with Decals (102)
23	58806600	1	Kit-Mower Side Support Bracket-Right Hand and Left Hand (100, 102, 114)
24	05925400	2	Bolt-Hex .38-16 x 5.50
25	07000014	4	Bearing-Retainer
26	04916900	2	Bearing .625 x .380 x 4.08
27	05400003	2	Bearing-Roller
28	06223900	1	Bolt-Round Head Square Neck .38-16 x .75 Grade 5

# NOTES

---

# 34" FIXED MOWER DECK

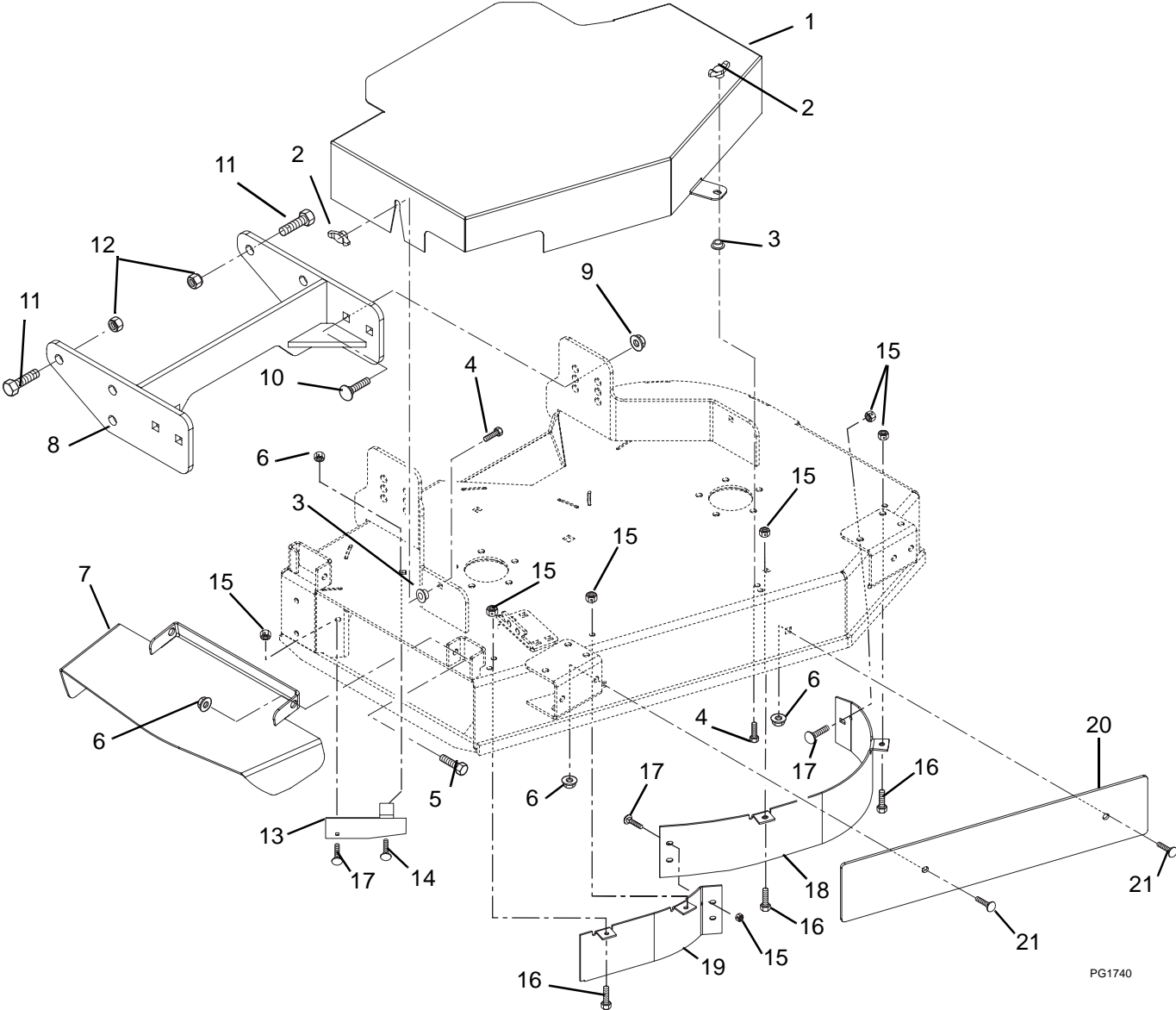
Model 988121, 122



Item	Part No.	Qty.	Description
1	58807800	1	34" FX Mower Deck w/Decals
2	04947553	2	Weldment, Wheel Mount
3	04947653	2	Weldment, Caster Fork
4	05533600	4	Bushing, Flange 1.00 x 1.25 x 1.50 x 1.50
5	06542000	12	Nut, Locking Top Flange .38-16
6	07157200	2	Wheel, 9 x 3.50
7	04916900	2	Bearing, .625 x .380 x 4.08
8	05925400	2	Bolt, Hex .38-16 x 5.50
9	05948700	3	Bolt, Hex .38-16 x 1.00
10	05959400	7	Bolt, Hex .38-16 x .75
11	05519553	10	Bushing, Sleeve 1.04 x 1.75 x .500
12	07015800	2	Pin, Lock .31 x 2.00

# 34" FRAME, DISCHARGE CHUTE AND BAFFLES

Model 121, 122



PG1740

# 34" FRAME, DISCHARGE CHUTE AND BAFFLES

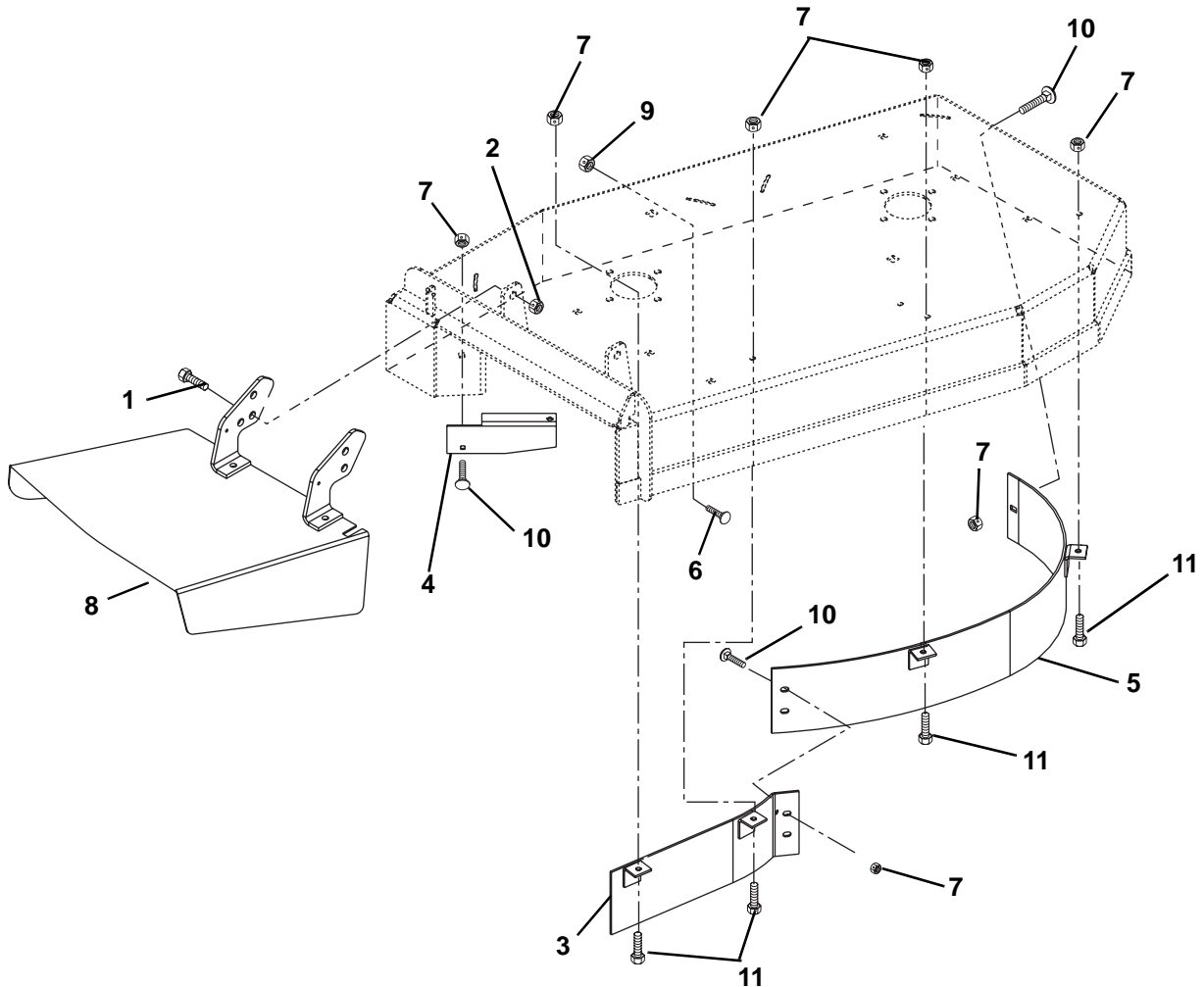
---

Model 988121, 122

Item	Part No.	Qty.	Description
1	04947753	1	Weldment, Belt Cover 34"
2	07531700	3	Knob, Wing .312-18
3	06514900	3	Nut, Push .312
4	06221800	3	Bolt, Round Head Square Neck .31-18 x 1.0
5	07056500	2	Bolt, Shoulder .38-16 x .50
6	06542000	3	Nut, Locking Top Flange .38-16 (121)
	06542000	5	Nut, Locking Top Flange .38-16 (122)
7	09299753	1	Weldment. 34" Discharge Chute
8	04948653	1	Weldment, Mower Mounting
9	06543600	4	Nut, Locking Top Flange .50-13
10	06224700	4	Bolt, Round Head Square Neck .50-13 x 1.25
11	05968700	6	Bolt, Hex .62-11 x 1.50
12	06540700	6	Nut, Locking Nylon .625-11
13	00174251	1	Baffle, Deflector
14	06223600	1	Bolt-Round Head Square Neck .38-16 x 1.00 Grade 5
15	06543100	8	Nut-Locking-Top-Flange .31-18
16	05947000	4	Bolt-Hex .31-18 x .75 Grade 5
17	06215700	4	Bolt-Round Head Square Neck .31-18 x .75 Grade 5
18	09297051	1	Baffle, 34" Front Left Hand
19	09297151	1	Baffle, 34" Front Right Hand
20	00430151	3	Weight, Pro Steer (122)
21	06224100	2	Bolt, Round Head Square Neck .38-16 x 1.25 (122)

# 36" DISCHARGE CHUTE AND BAFFLES

Model 988100, 114



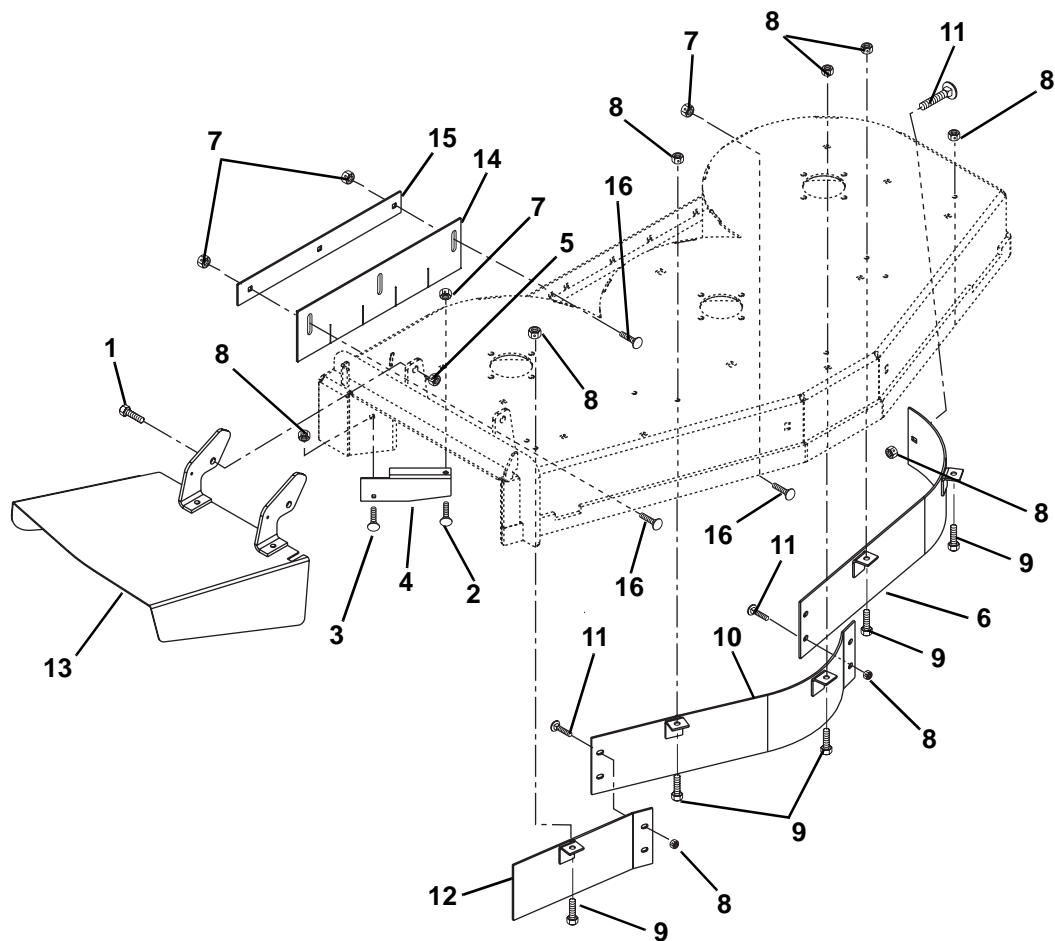
PD1520

Item	Part No.	Qty.	Description
1	05958900	2	Bolt-Hex .50-13 x 1.25 Grade 5
2	06540600	2	Nut-Locking-Nylon .50-13
3	04916351	1	Weldment- Upper Baffle Right (100, 114)
4	04930251	1	Deflector 32"
5	04916251	1	Weldment- Upper Baffle Left (100, 114)
6	06223600	2	Bolt-Round Head Square Neck .38-16 x 1.00 Grade 5
7	06543100	8	Nut-Locking-Top-Flange .31-18
8	04917853	1	Chute-Discharge
9	06542000	2	Nut-Locking-Top-Flange .38-16
10	06215700	4	Bolt-Round Head Square Neck .31-18 x .75 Grade 5
11	05947000	4	Bolt-Hex .31-18 x .75 Grade 5



# 48" DISCHARGE CHUTE AND BAFFLES

Model 988102

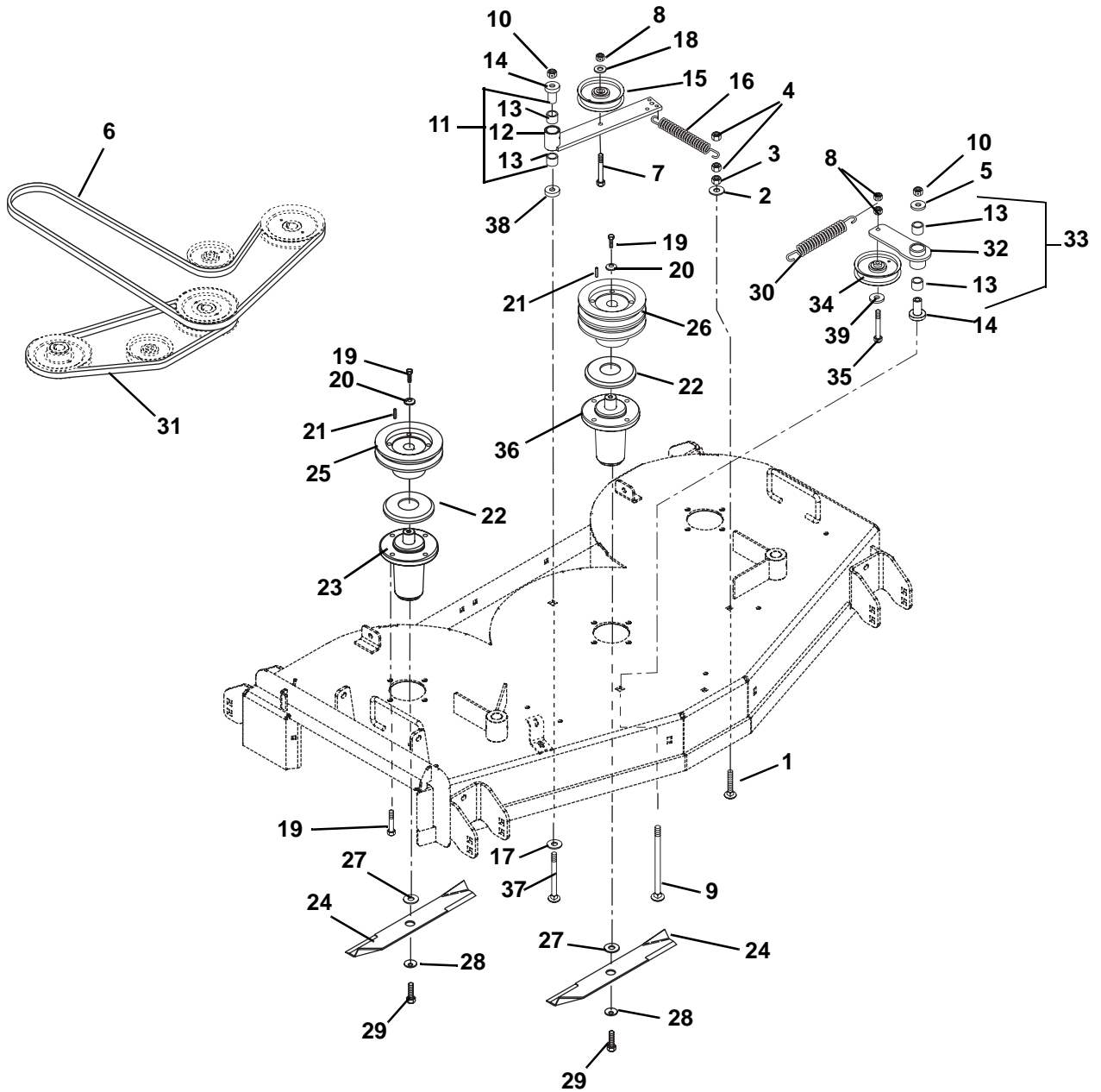


PD1540

Item	Part No.	Qty.	Description
1	05958900	2	Bolt-Hex .50-13 x 1.25 Grade 5
2	06223900	1	Bolt-Round Head Square Neck .38-16 x .75 Grade 5
3	06215700	1	Bolt-Round Head Square Neck .31-18 x 1.00 Grade 5
4	04939851	1	Deflector 44"/48"
5	06540600	2	Nut-Locking-Nylon .50-13
6	04918951	1	Weldment- Upper Baffle Left (102)
7	06542000	8	Nut-Locking-Top-Flange .38-16
8	06543100	11	Nut-Locking-Top-Flange .31-18
9	05947000	5	Bolt-Hex .31-18 x .75 Grade 5
10	04919051	1	Weldment- Upper Baffle Center (102)
11	06215700	5	Bolt-Round Head Square Neck .31-18 x .75 Grade 5
12	04919651	1	Weldment, Right Hand Baffle-Upper (102)
13	04917853	1	Chute-Discharge
14	04919300	2	Skirt- Rubber
15	04919251	2	Strip- Striper Mount
16	06223600	7	Bolt-Round Head Square Neck .38-16 x 1.00 Grade 5

# 48" BELTS, IDLERS AND BLADES

Model 988102



# 48" BELTS, IDLERS AND BLADES

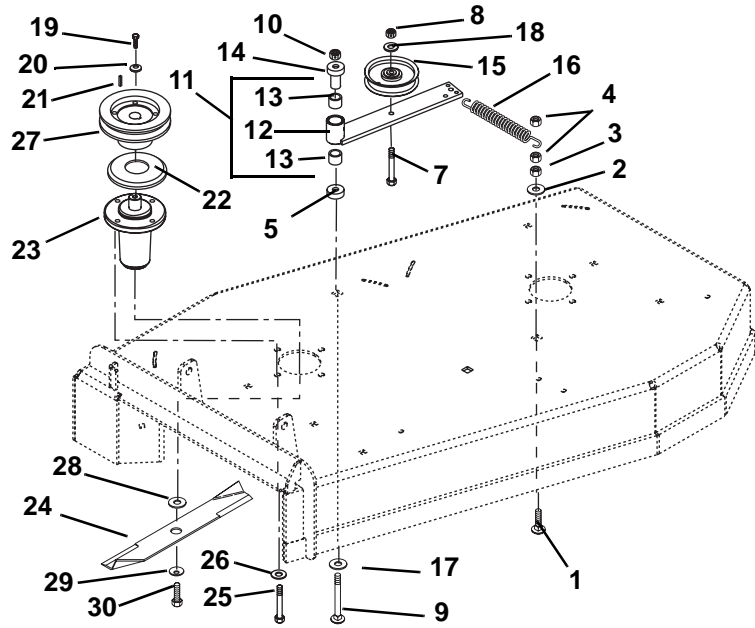
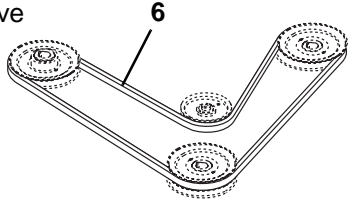
Model 988102

Item	Part No.	Qty.	Description
1	06224200	1	Bolt-Round Head Square Neck .38-16 x 1.50 Grade 5
2	06308800	1	Washer-Locking .38 x .094 Regular
3	06529400	1	Nut-Hex .38-16
4	06529600	2	Nut-Locking-Center .38-16
5	415543	1	Washer-Flat-Steel .531 x 1.25 x .10
6	07240200	1	V-Belt B-Section 39.38 x .65 (102)
7	06228100	1	Bolt-Round Head Square Neck .38-16 x 3.00 Grade 5
8	06529600	3	Nut-Locking-Center .38-16
9	06200003	1	Bolt-Round Head Square Neck .50-13 x 3.50 Grade 5
10	06536300	2	Nut-Locking-Center .50-13
11	09286500	1	Assembly, Idler Pivot Arm (Contains Items 12 & 13)
12	09286451	AR	Weldment, Idler Pivot Arm
13	05435800	AR	Bearing, 1.00 x 1.12 x .75
14	07053100	2	Bearing, Pedestal Powdered Metal
15	07327800	1	Idler-Flat 4.00 x .38 (2.00 W)
16	08336000	1	Spring, Extension
17	06441500	1	Washer-Flat-Steel .755 x 1.375 x .062
18	00440700	1	Seal, Idler Bearing
19	05900013	15	Bolt-Hex .38-16 x 1.00 Grade 8
20	06400006	3	Washer-Flat-Steel .406 x 1.50 x .245
21	06611200	3	Key, Square .25 x .25 x 1.00 RC 40-50
22	09238200	3	Slinger-Dust
23	59201000	2	Assembly, Maintenance Free Spindle
24	04919100	3	Blade- Mower
	00273000	3	Blade - Mower
25	09242500	2	Pulley
26	09253200	1	Sheave, Double (5.25)
27	06435200	3	Washer, Flat .64 x 1.81 x .250
28	06445700	3	Washer-Bellville .63 x 1.625 x .14
29	05978900	3	Bolt-Hex .62-18 x 1.75 Grade 8
30	08336100	1	Spring, Extension
31	07202900	1	V-Belt 5L-Section 49.97 x .672
32	00345600	AR	Arm, Idler Pivot
33	00349100	1	Asm, Idler Pivot Arm (Contains Items 13 and 32)
34	07327600	1	V-Idler, 4.00 x .38
35	05962900	1	Bolt-Hex .38-16 x 2.25 Grade 5
36	59202600	1	Spindle Assembly (Center)
37	06218600	1	Bolt-Round Head Square Neck .50-13 x 3.75
38	06445000	1	Washer-Flat-Steel .515 x 1.625 x .25
39	06436200	1	Washer-Flat-Steel .406 x .812 x .065

# 36" BELTS, IDLERS AND BLADES

Model 988100, 114

Engine / Clutch  
Sheave



PG1530

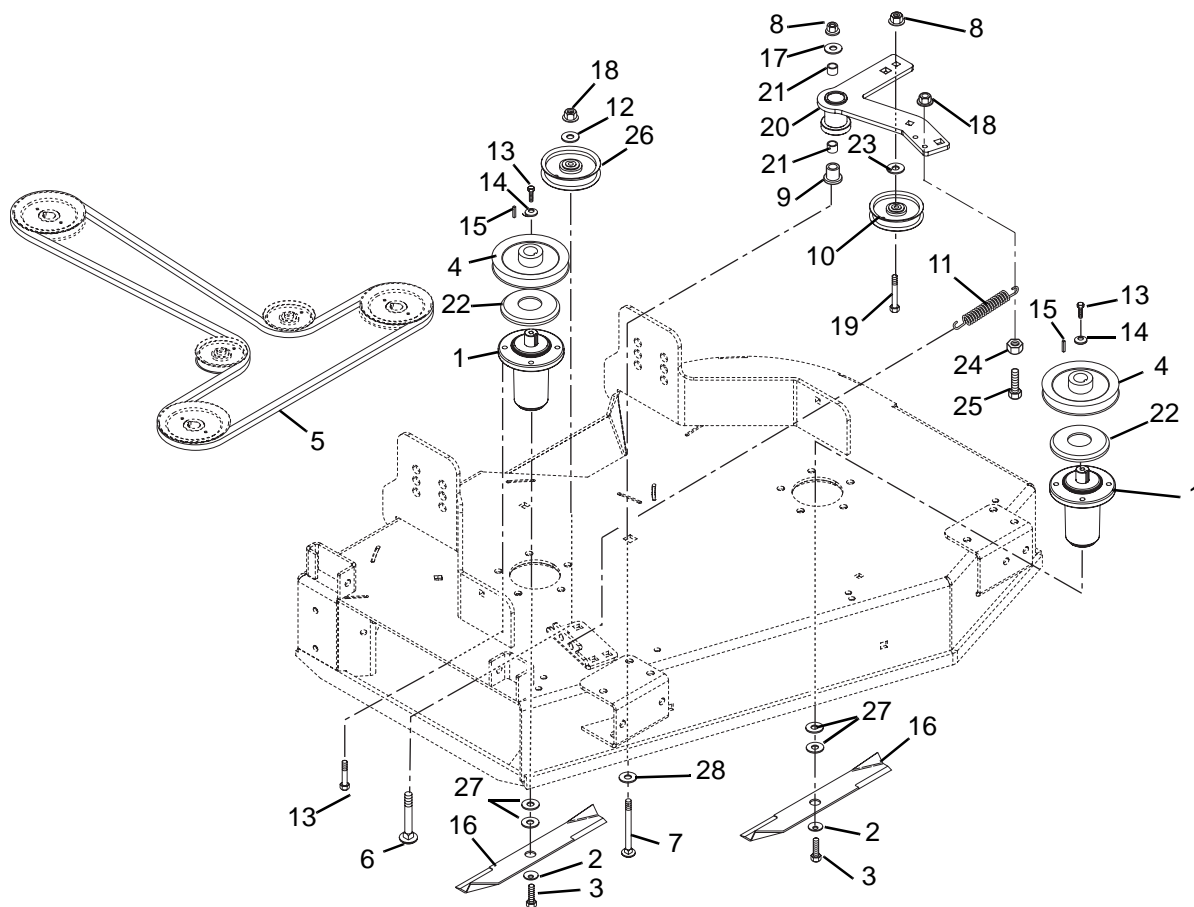
# 36" BELTS, IDLERS AND BLADES

Model 988100, 114

Item	Part No.	Qty.	Description
1	06224200	1	Bolt-Round Head Square Neck .38-16 x 1.50 Grade 5
2	06308800	1	Washer-Locking .38 x .094 Regular
3	06529400	1	Nut-Hex .38-16
4	06529600	1	Nut-Locking-Center .38-16
5	06445000	1	Washer-Flat-Steel .515 x 1.625 x .25
6	07240100	1	V-Belt B-Section 36.70 x .650 (100, 114)
7	06228100	1	Bolt-Round Head Square Neck .38-16 x 3.00 Grade 5
8	06529600	1	Nut-Locking-Center .38-16
9	06218600	1	Bolt-Round Head Square Neck .50-13 x 3.75 Grade 5
10	06536300	1	Nut-Locking-Center .50-13
11	09286500	1	Assembly, Idler Pivot Arm (Contains Items 12 & 13)
12	09286451	AR	Weldment, Idler Pivot Arm
13	05435800	AR	Bearing, 1.00 x 1.12 x .75
14	07053100	1	Bearing, Pedestal Powdered Metal
15	07327800	1	Idler-Flat 4.00 x .38 (2.00 W)
16	08336000	1	Spring, Extension
17	06441500	1	Washer-Flat-Steel .755 x 1.375 x .062
18	00440700	1	Seal, Idler Bearing
19	05974500	2	Bolt-Hex .38-16 x 1.00 Grade 8
20	00597000	2	Washer-Cupped-Serrated .375
21	06611200	3	Key, Square .25 x .25 x 1.00 RC 40-50
22	09238200	2	Slinger-Dust
23	59201000	2	Assembly, Maintenance Free Spindle
24	04916400	2	Blade- Mower (100, 114)
	04917900	2	Blade- Mulching (100, 114)
25	05948700	8	Bolt-Hex .38-16 x 1.00 Grade 5
26	06308800	8	Washer-Locking .38 x .094 Regular
27	09242500	2	Pulley
28	06435200	2	Washer, Flat .64 x 1.81 x .250
29	06445700	2	Washer-Bellville .63 x 1.625 x .14
30	05978900	2	Bolt-Hex .62-18 x 1.75 Grade 8

# 34" BELTS, IDLERS AND BLADES

Model 988121, 122



PG1750

Item	Part No.	Qty.	Description
1	69219600		Assembly, Spindle
2	06445700	2	Washer-Bellville .63 x 1.625 x .14
3	05978900	2	Bolt-Hex .62-18 x 1.75 Grade 8
4	07300011	2	Sheave, 5.00 Spindle (1.00 I.D.)
5	07200017	1	V-Belt, B-RMA 95" EFFLG x .650W
6	06225400	1	Bolt-Round Head Square Neck .38-16 x 2.75 Grade 5
7	06200003	1	Bolt-Round Head Square Neck .50-13 x 3.50 Grade 5
8	06543600	1	Nut-Locking-Top-Flange .50-13
9	07053100	1	Bearing, Pedestal Powdered Metal
10	07316700	1	Idler-Flat 6.75 x .510 (2.00 W)
11	08300008	1	Spring, Extension
12	06425500	1	Washer-Flat-Steel .375 x 1.125 x .065
13	05900013	10	Bolt-Hex .38-16 x 1.00 Grade 8
14	06400006	2	Washer-Flat-Steel .406 x 1.50 x .245
15	06611200	2	Key, Square .25 x .25 x 1.00
16	09082400	2	Blade, Mower Hi -Lift
17	06442000	1	Washer-Flat-Steel .563 x 1.38 x .109
18	06542000	3	Nut-Locking-Top-Flange .38-16
19	05959700	1	Bolt, Hex .50-13 x 2.00 Grade 5
20	00390651	1	Weldment, Idler Pivot Arm
21	05435800	2	Bearing, 1.00 x 1.12 x .75
22	09238200	AR	Slinger-Dust
23	09036100	1	Spacer, .516 x .875 x .300
24	06529400	2	Nut, Hex .38-16
25	05958500	2	Bolt, Hex .38-16 x 1.75
26	07327800	1	Idler-Flat 4.00 x .38
27	06435200	4	Washer, Flat .640 x 1.81 x .250
28	06441500	1	Washer, Flat Steel .755 x 1.375 x .062











GRAVELY  
A Division of Ariens Company  
655 West Ryan Street  
P.O. Box 157  
Brillion, WI 54110-0157  
920-756-2141  
Fax 920-756-2407  
[www.gravelly.com](http://www.gravelly.com)

## Free Manuals Download Website

<http://myh66.com>

<http://usermanuals.us>

<http://www.somanuals.com>

<http://www.4manuals.cc>

<http://www.manual-lib.com>

<http://www.404manual.com>

<http://www.luxmanual.com>

<http://aubethermostatmanual.com>

Golf course search by state

<http://golfingnear.com>

Email search by domain

<http://emailbydomain.com>

Auto manuals search

<http://auto.somanuals.com>

TV manuals search

<http://tv.somanuals.com>