

NOTE:  
Please read all instructions  
carefully before using this  
product

Table of Contents

Safety Notice

Hardware Identifier

Assembly Instruction

Parts List

Warranty

Ordering Parts

Model  
WM-357

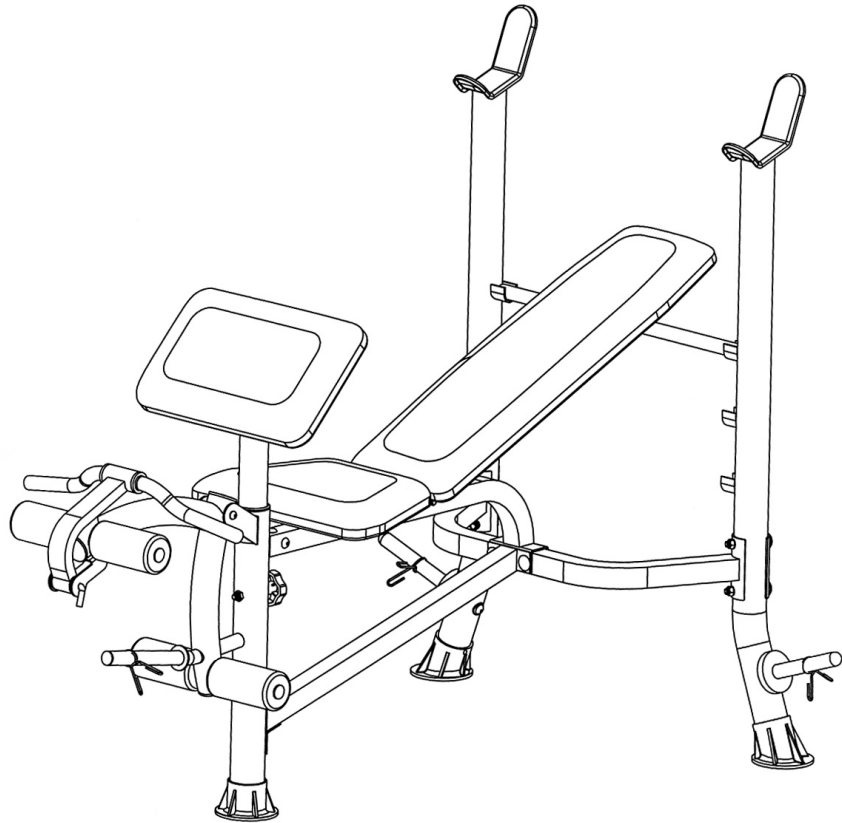
Retain This  
Manual for  
Reference

06-26-06

OWNER'S  
MANUAL

# IMPEX

## COMPETITOR WEIGHT BENCH WM-357



**IMPEX<sup>®</sup> INC.**

14777 DON JULIAN RD., CITY OF INDUSTRY, CA 91746

Tel: (800) 999-8899 Fax: (626) 961-9966

[www.impex-fitness.com](http://www.impex-fitness.com)

[info@impex-fitness.com](mailto:info@impex-fitness.com)

---

## TABLE OF CONTENTS

BEFORE YOU BEGIN.....	1
IMPORTANT SAFETY NOTICES.....	2
HARDWARE IDENTIFIER.....	4
ASSEMBLY INSTRUCTIONS.....	5
EXPLODED DIAGRAM.....	10
PARTS LIST.....	11
WARRANTY.....	12
ORDERING PARTS.....	12

---

## BEFORE YOU BEGIN

Thank you for selecting the COMPETITOR WM-357 Weight Bench by IMPEX<sup>®</sup> INC. For your safety and benefit, read this manual carefully before using the machine. As a manufacturer, we are committed to provide you complete customer satisfaction. If you have any questions, or find there are missing or damaged parts, we guarantee you complete satisfaction through direct assistance from our factory. To avoid unnecessary delays, *please call our TOLL-FREE customer service number*. Our Customer Service Agents will provide immediate assistance to you.

**Toll-Free Customer Service Number**

**1-800-999-8899**

**Mon. - Fri. 9 a.m. - 5 p.m. PST**

**[www.impex-fitness.com](http://www.impex-fitness.com)**

**[info@impex-fitness.com](mailto:info@impex-fitness.com)**

# **IMPORTANT SAFETY NOTICE**

## **PRECAUTIONS**

This exercise machine is built for optimum safety. However, certain precautions apply whenever you operate a piece of exercise equipment. Be sure to read the entire manual before you assemble or operate your machine. In particular, note the following safety precautions:

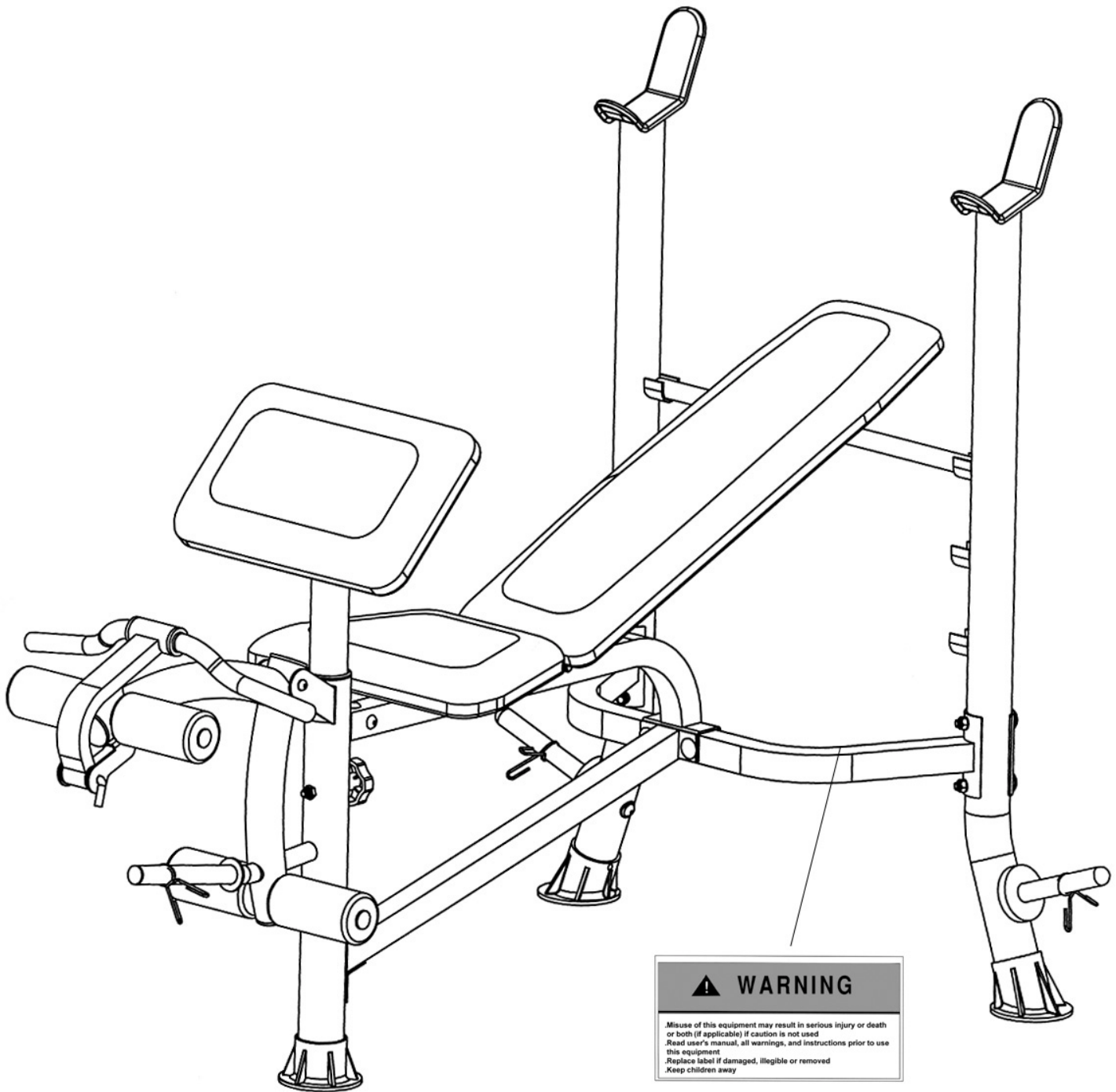
1. **Keep children and pets away from the machine at all times. DO NOT leave children unattended in the same room with the machine.**
2. Only one person at a time should use the machine.
3. If the user experiences dizziness, nausea, chest pain, or any other abnormal symptoms, STOP the workout at once. CONSULT A PHYSICIAN IMMEDIATELY.
4. Position the machine on a clear, leveled surface. DO NOT use the machine near water or outdoors.
5. Keep hands and feet away from all moving parts.
6. Always wear appropriate workout clothing when exercising. DO NOT wear robes or other clothing that could become caught in the machine. Running or aerobic shoes are also required when using the machine.
7. Use the machine only for its intended use as described in this manual. DO NOT use attachments not recommended by the manufacturer.
8. Do not place any sharp object around the machine.
9. Disabled person should not use the machine without a qualified person or physician in attendance.
10. Before using the machine to exercise, always do stretching exercises to properly warm up.
11. Never operate the machine if the machine is not functioning properly.
12. A spotter is recommended during exercise.

## **CARE AND MAINTENANCE**

1. Lubricate moving parts with WD-40 or light oil periodically.
2. Inspect and tighten all parts before using the machine.
3. The machine can be cleaned using a damp cloth and mild non-abrasive detergent. DO NOT use solvents.
4. Maximum weight capacity on the uprights: 200 lbs.
5. Maximum user's weight: 250 lbs.
6. Maximum weight capacity on the leg developer: 100 lbs.

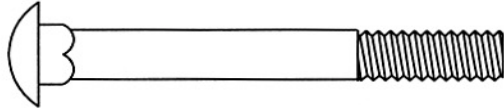
**WARNING: BEFORE BEGINNING ANY EXERCISE PROGRAM, CONSULT YOUR PHYSICIAN. THIS IS ESPECIALLY IMPORTANT FOR INDIVIDUALS OVER THE AGE OF 35 OR PERSONS WITH PRE-EXISTING HEALTH PROBLEMS. READ ALL INSTRUCTIONS BEFORE USING ANY FITNESS EQUIPMENT. IMPEX INC. ASSUMES NO RESPONSIBILITY FOR PERSONAL INJURY OR PROPERTY DAMAGE SUSTAINED BY OR THROUGH THE USE OF THIS PRODUCT. SAVE THESE INSTRUCTIONS.**

# WARNING LABEL REPLACEMENT

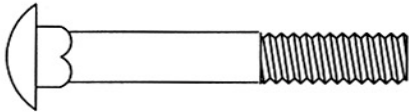


The Warning Label shown here has been placed on the Cross Brace. If the label is missing or illegible, please call customer service at 1-800-999-8899 for replacement. Apply the label in location shown.

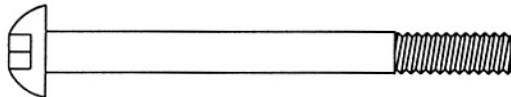
# HARDWARE IDENTIFIER



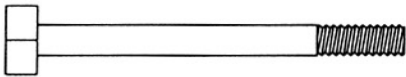
#36 M10 x 3  $\frac{1}{8}$ " Carriage Bolt (Qty 4)



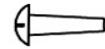
#37 M10 x 2  $\frac{1}{2}$ " Carriage Bolt (Qty 2)



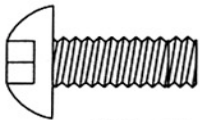
#39 M8 x 3  $\frac{1}{8}$ " Allen Bolt (Qty 1)



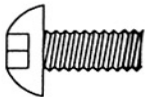
#41 M6 x 1  $\frac{1}{2}$ " Hex Bolt (Qty 8)



#47 ST5 Screw (Qty 2)



#40 M10 x 1" Allen Bolt (Qty 2)



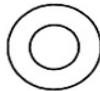
#38 M8 x  $\frac{5}{8}$ " Allen Bolt (Qty 6) #26 Spring Clip (Qty 3)



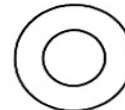
#46 Curved Washer (Qty 2)



#45  $\varnothing$   $\frac{1}{2}$ " Washer (Qty 8)



#44  $\varnothing$   $\frac{5}{8}$ " Washer (Qty 8)



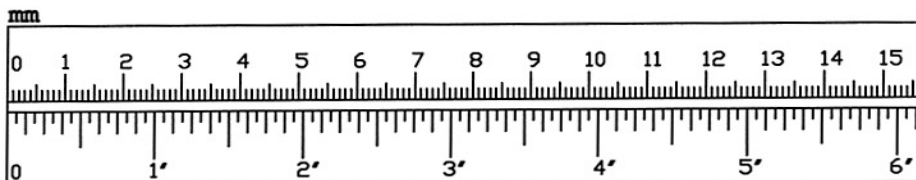
#43  $\varnothing$   $\frac{3}{4}$ " Washer (Qty 6)



#48 M10 Aircraft Nut (Qty 6)



#49 M8 Aircraft Nut (Qty 1)



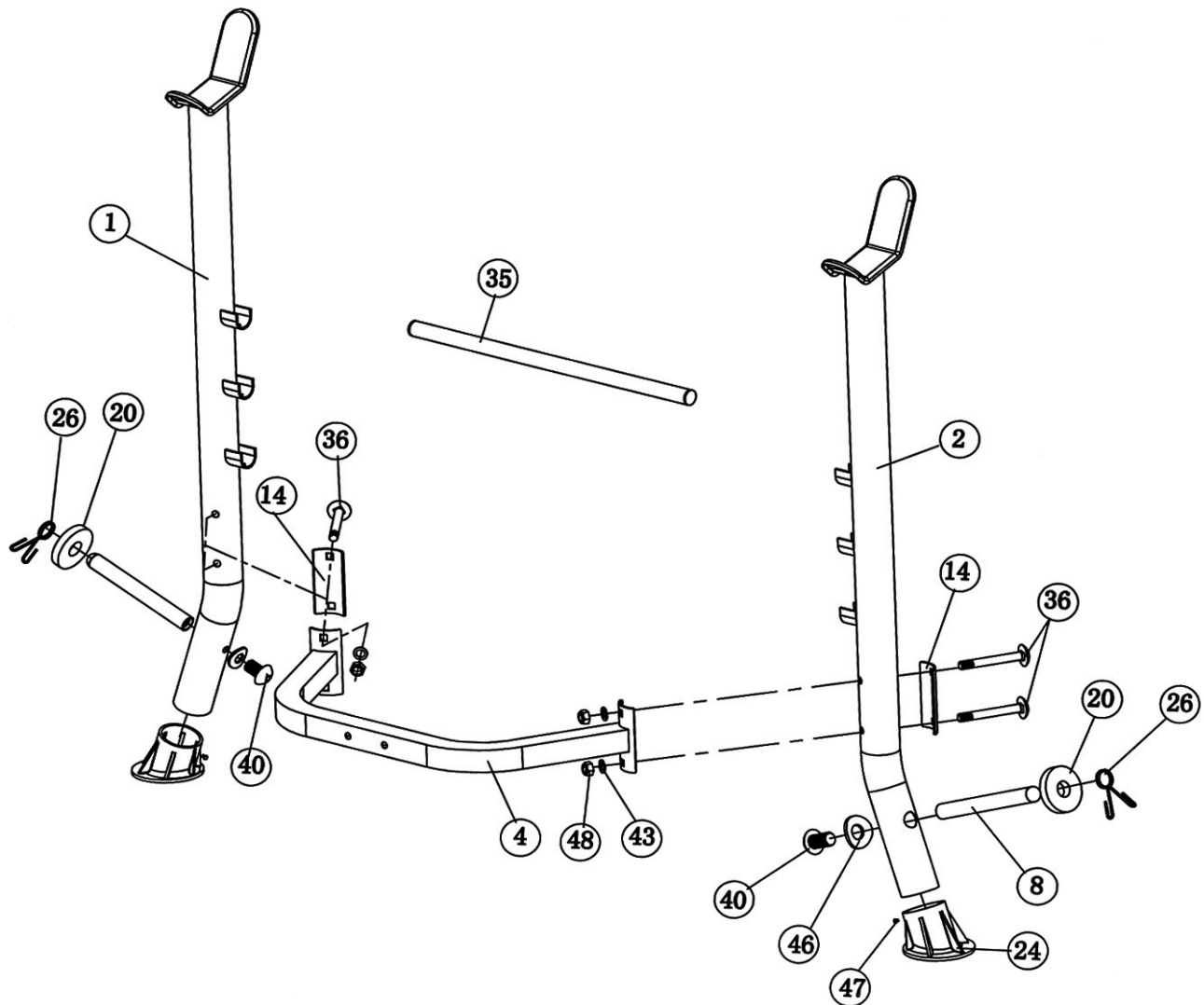
# ASSEMBLY INSTRUCTION

**Tools Required Assembling the Machine: Two Adjustable Wrenches and Allen Wrenches**

**NOTE: It is strongly recommended two or more people assembling this machine to avoid possible injury.**

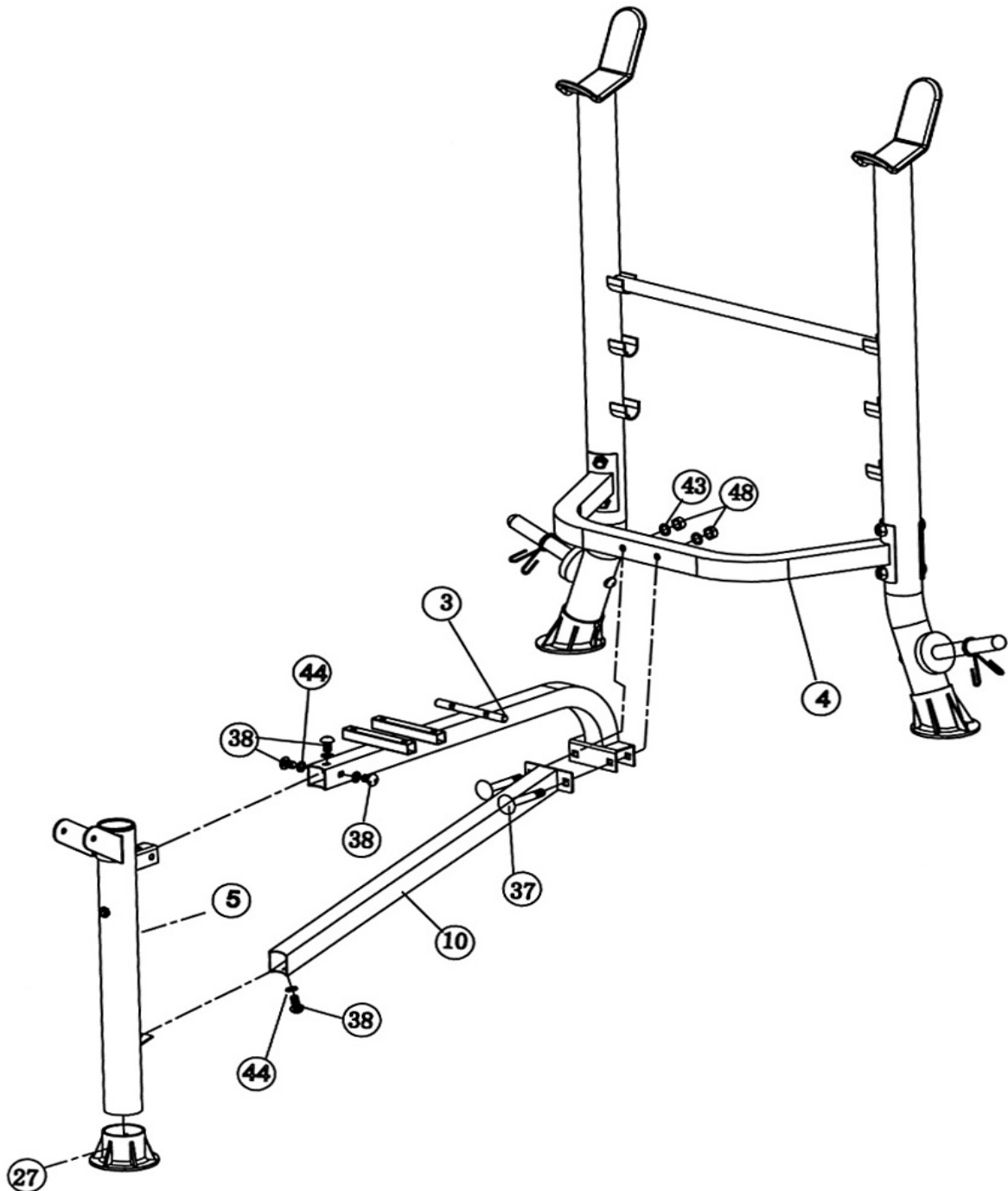
## STEP 1 (See Diagram 1)

- A.) Plug the two Upright End Caps (#24) onto the bottom of the Right & Left Upright Beams (#1 & #2). Secure each Cap with a ST5 Screw (#47).
- B.) Connect the two Upright Beams by a Cross Brace (#4) in the Mid-span. Secure them with two M10 x 3 1/8" Carriage Bolts (#36), one Curved Bracket (#14), two  $\text{\O} \frac{3}{4}$ " Washers (#43), and two M10 Aircraft Nuts (#48) on each end of the Cross Brace.
- C.) Attach a Weight Post (#8) to the Right Upright Beam. Secure it with one M10 x 1" Allen Bolt (#40) and Curved Washer (#46). Slide a 2 3/8" Rubber Bumper (#20) onto the Weight Post. Attach a Spring Clip (#26) to the Post. Repeat the same step to install the other side.
- D.) Place the Backrest Adjustment Bar (#35) between the two Uprights to obtain desired incline of Backrest.



## STEP 2 (See Diagram 2)

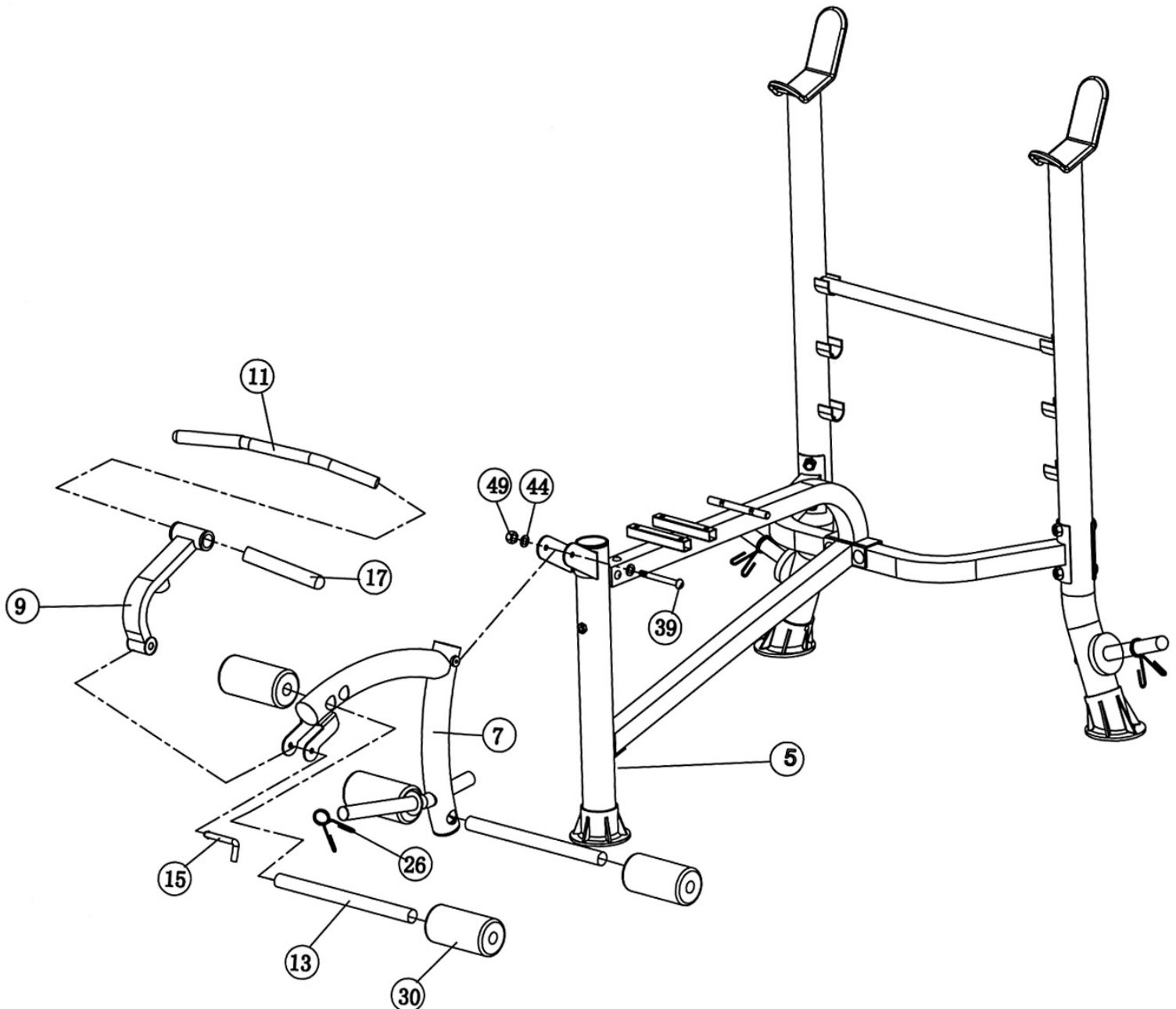
- A.) Plug a Front Leg End Cap (#27) onto the bottom of Front Leg (#5). Attach the Front Leg to the Main Seat Support (#3). Secure it with three M8 x 5/8" Allen Bolts (#38) and  $\text{\O} 5/8$ " Washers (#44). DO NOT tighten the Bolts yet.
- B.) Attach the Main Seat Support to the Cross Brace (#4). Attach the Main Seat Stabilizer (#10) to the Main Seat Support. Align the holes. Secure the Main Seat Support, Main Stabilizer, and Cross Brace together with two M10 x 2 1/2" Carriage Bolts (#37),  $\text{\O} 3/4$ " Washers (#43), and M10 Aircraft Nuts (#48). DO NOT tighten the Bolts yet.
- C.) Attach the other end of Main Seat Stabilizer (#10) to the Front Leg (#5). Secure it with one M8 x 5/8" Allen Bolt (#38) and  $\text{\O} 5/8$ " Washer (#44).
- D.) Securely tighten all Nuts and Bolts previously installed.



### STEP 3 (See Diagram 3)

- A.) Attach the Leg Developer (#7) to the Front Leg (#5). Secure it with one M8 x 3 1/8" Allen Bolt (#39), two Ø 5/8" Washers (#44), and one M8 Aircraft Nut (#49).
- B.) Insert two Foam Tubes (#13) halfway through the holes on the Leg Developer. Push four Foam Rolls (#30) onto the Tubes from both sides.
- C.) Place a Spring Clip (#26) onto the weight post on the Leg Developer. The maximum weight capacity for Leg Developer is 100 lbs.
- D.) Attach the Arm Curl Handle (#9) to the front of the Leg Developer. Secure it with a L-shaped Lock Pin (#15).
- E.) Slide a Arm Curl Handlebar (#11) through the Arm Curl Handle (#9). Slide two Grips (#17) onto the Handlebar.

**DIAGRAM 3**

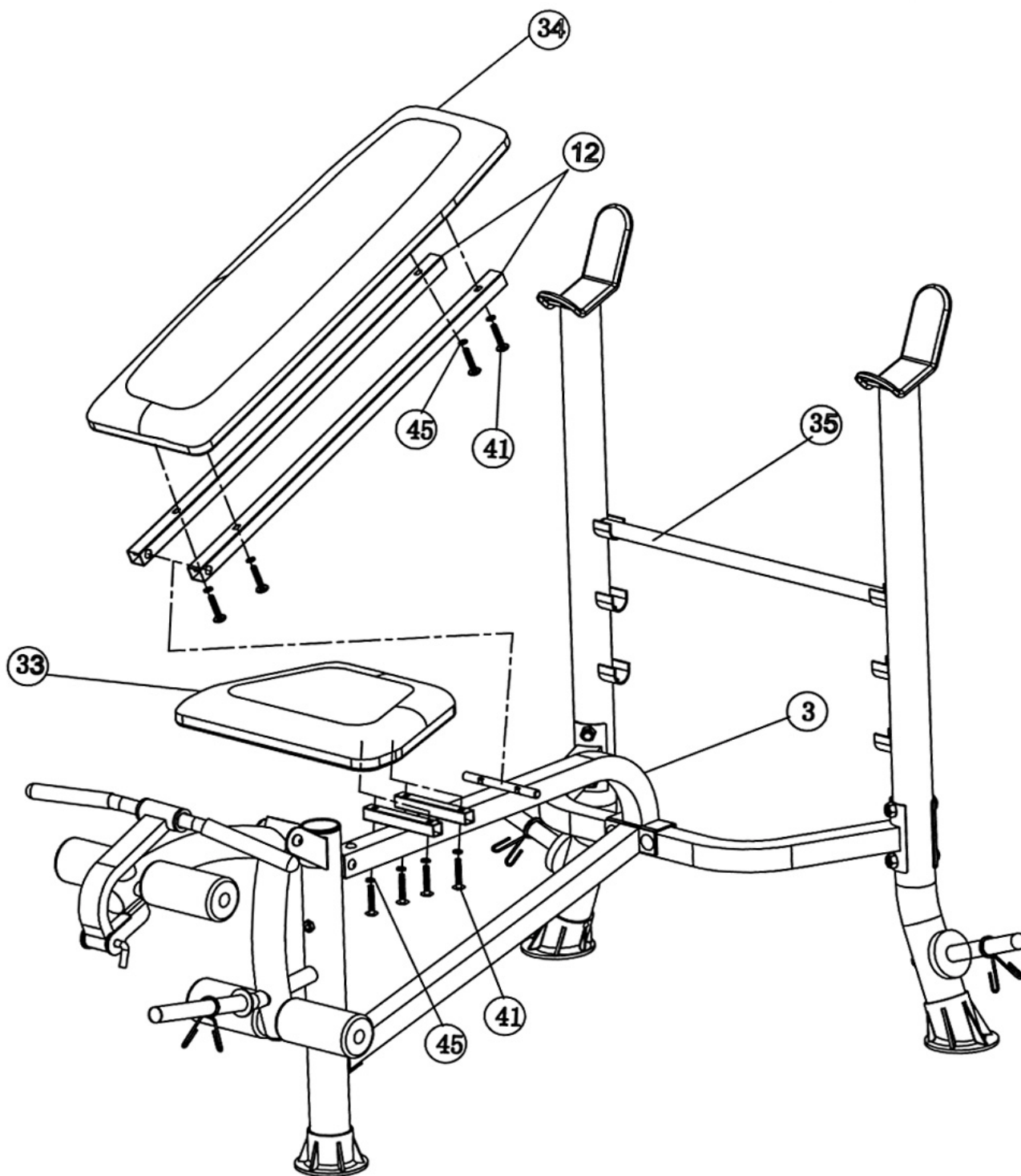




#### STEP 4 (See Diagram 4)

- A.) Attach the Backrest Supports (#12) onto both ends of the pivot on the Main Seat Support (#3). Place the other end rest against the Backrest Adjustment Bar (#35).
- B.) Place the Backrest Board (#34) onto the Backrest Supports. Secure it with four M6 x 1 ½" Hex Bolts (#41) and Ø ½" Washers (#45).
- C.) Place the Seat Pad (#33) onto the Main Seat Support. Secure it with four M6 x 1 ½" Hex Bolts (#41) and Ø ½" Washers (#45).

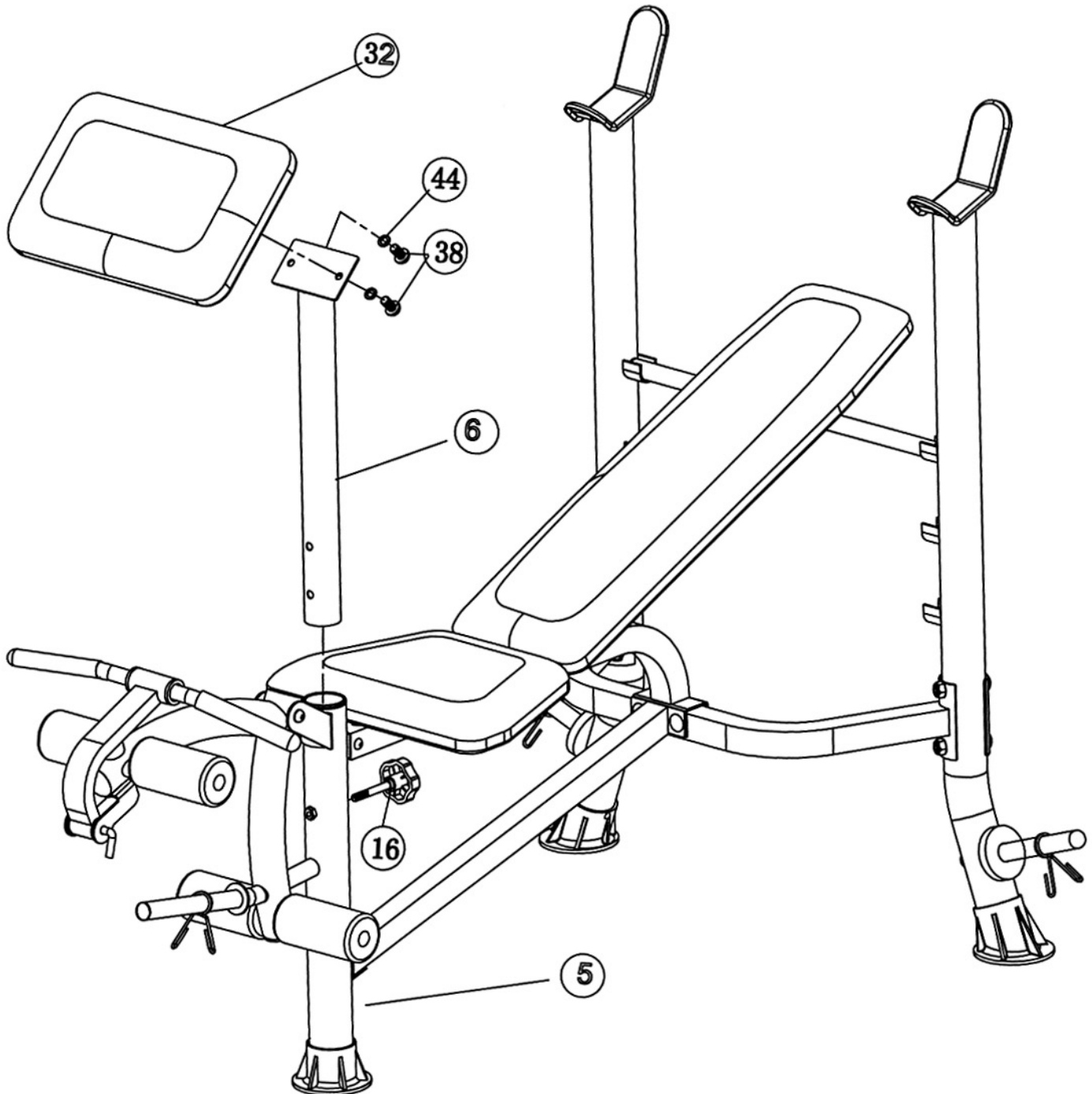
#### DIAGRAM 4

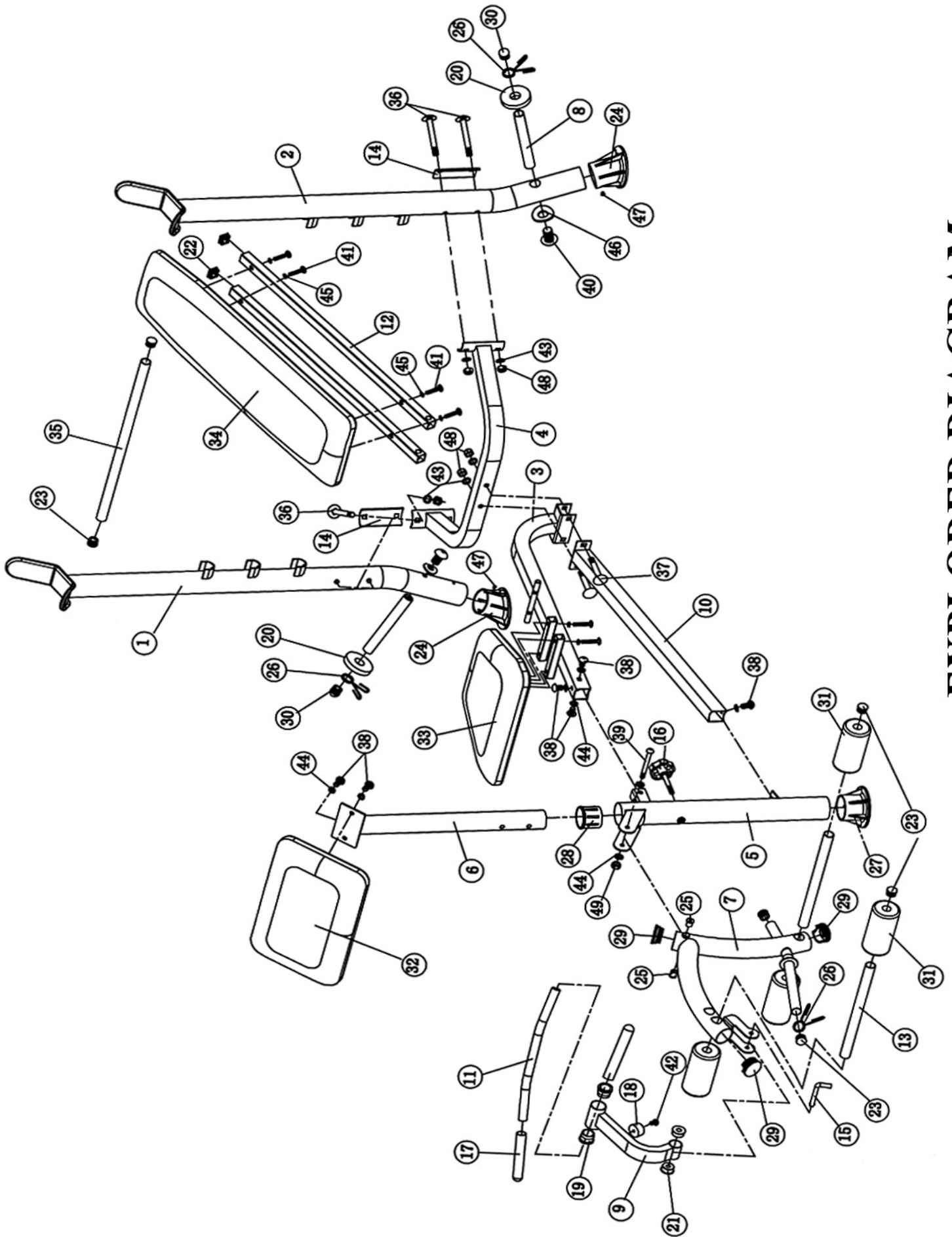


## STEP 5 (See Diagram 5)

- A.) Attach the Arm Curl Pad (#32) to the Arm Curl Stand (#6). Secure it with two M8 x 5/8" Allen Bolts (#38) and  $\text{\O} 5/8$ " Washers (#44).
- B.) Insert the Arm Curl Stand into the top opening on the Front Leg. Secure it with a Lock Knob (#16).
- C.) When using Leg Developer, remove the Arm Curl Stand from the Front Leg and Arm Curl Handle from the Leg Developer.

### DIAGRAM 5





# EXPLODED DIAGRAM

## PARTS LIST

KEY NO.	DESCRIPTION	QUANTITY
1	Right Upright Beam	1
2	Left Upright Beam	1
3	Main Seat Support	1
4	Cross Brace	1
5	Front Leg	1
6	Arm Curl Stand	1
7	Leg Developer	1
8	Weight Post	2
9	Arm Curl Handle	1
10	Main Seat Stabilizer	1
11	Arm Curl Handle Bar	1
12	Backrest Support	2
13	Foam Tube	2
14	Curved Bracket	2
15	L-shaped Lock Pin	1
16	Lock Knob	1
17	Arm Curl Handle Grip	2
18	Rubber Bumper	1
19	Ø 1 ½" Bushing	2
20	2 3/8" Rubber Bumper	2
21	Ø 1 ¼" Bushing	2
22	1" Square End Cap	2
23	Ø 1" End Cap	8
24	Upright End Cap	2
25	Ø ¾" Bushing	2
26	Spring Clip	3
27	Front Leg End Cap	1
28	Ø 2 3/8" x Ø 2" Sleeve	1
29	Ø 2" End Cap	3
30	Ø 1" Con-shaped End Cap	2
31	Foam Roll	4
32	Arm Curl Pad	1
33	Seat Pad	1
34	Backrest Board	1
35	Backrest Adjustment Bar	1
36	M10 x 3 1/8" Carriage Bolt	4
37	M10 x 2 ½" Carriage Bolt	2
38	M8 x 5/8" Allen Bolt	6
39	M8 x 3 1/8" Allen Bolt	1
40	M10 x 1" Allen Bolt	2
41	M6 x 1 ½" Hex Bolt	8
42	M6 x ¾" Philips Screw	1
43	Ø ¾" Washer	6
44	Ø 5/8" Washer	8
45	Ø ½" Washer	8
46	Curved Washer	2
47	ST5 Screw	2
48	M10 Aircraft Nut	6
49	M8 Aircraft Nut	1

# **IMPEX<sup>®</sup> INC.**

## **LIMITED WARRANTY**

IMPEX Inc. ("IMPEX<sup>®</sup>") warrants this product to be free from defects in workmanship and material, under normal use and service conditions, for a period of two years on the Frame from the date of purchase. This warranty extends only to the original purchaser. IMPEX's obligation under this Warranty is limited to replacing or repairing, at IMPEX's option.

All returns must be pre-authorized by IMPEX. Pre-authorization may be obtained by calling IMPEX Customer Service Department at 1-800-999-8899. All freights for products return to IMPEX must be prepaid by the customer. This warranty does not extend to any product or damage to a product caused by or attributable to freight damage, abuse, misuse, improper or abnormal usage or repairs not provided by an IMPEX authorized service center or for products used for commercial or rental purposes. No other warranty beyond that specifically set forth above is authorized by IMPEX.

IMPEX is not responsible or liable for indirect, special or consequential damages arising out of or in connection with the use or performance of the product or other damages with respect to any economic loss, loss of property, loss of revenues or profits, loss of enjoyments or use, costs of removal, installation or other consequential damages or whatsoever natures. Some states do not allow the exclusion or limitation of incidental or consequential damages. Accordingly, the above limitation may not apply to you.

The warranty extended hereunder is in lieu of any and all other warranties and any implied warranties of merchantability or fitness for a particular purpose is limited in its scope and duration to the terms set forth herein. Some states do not allow limitations on how long an implied warranty lasts. Accordingly, the above limitation may not apply to you.

This warranty gives you specific legal right. You may also have other rights which vary from state to state. **Register on-line [www.impex-fitness.com](http://www.impex-fitness.com)**

**IMPEX<sup>®</sup> INC.**  
**14777 Don Julian**  
**City of Industry, CA 91746**

### **ORDERING REPLACEMENT PARTS**

Replacement parts can be ordered by calling our Customer Service Department toll-free at **1-800-999-8899** during our regular business hours: Monday through Friday, 9 am until 5 pm Pacific standard time.  
**[info@impex-fitness.com](mailto:info@impex-fitness.com)**

When ordering replacement parts, always give the following information.

1. Model
2. Description of Parts
3. Part Number
4. Date of Purchase

## Free Manuals Download Website

<http://myh66.com>

<http://usermanuals.us>

<http://www.somanuals.com>

<http://www.4manuals.cc>

<http://www.manual-lib.com>

<http://www.404manual.com>

<http://www.luxmanual.com>

<http://aubethermostatmanual.com>

Golf course search by state

<http://golfingnear.com>

Email search by domain

<http://emailbydomain.com>

Auto manuals search

<http://auto.somanuals.com>

TV manuals search

<http://tv.somanuals.com>