

READ BEFORE USE
LIRE AVANT UTILISATION
LEA ANTES DE USAR

Visit www.hamiltonbeach.com for our complete line of products and Use and Care Guides – as well as delicious recipes, tips, and to register your product online!

Rendez-vous sur www.hamiltonbeach.ca pour notre liste complète de produits et de nos manuels utilisateur – ainsi que nos délicieuses recettes, nos conseils et pour enregistrer votre produit en ligne !

¡Visite www.hamiltonbeach.com.mx para obtener nuestra línea completa de productos y las Guías de Uso y Cuidado, además de deliciosas recetas, consejos y para registrar su producto en línea!

Questions?

Please call us – our friendly associates are ready to help.
USA: 1.800.851.8900

Questions ?

N'hésitez pas à nous appeler – nos associés s'empresseront de vous aider.

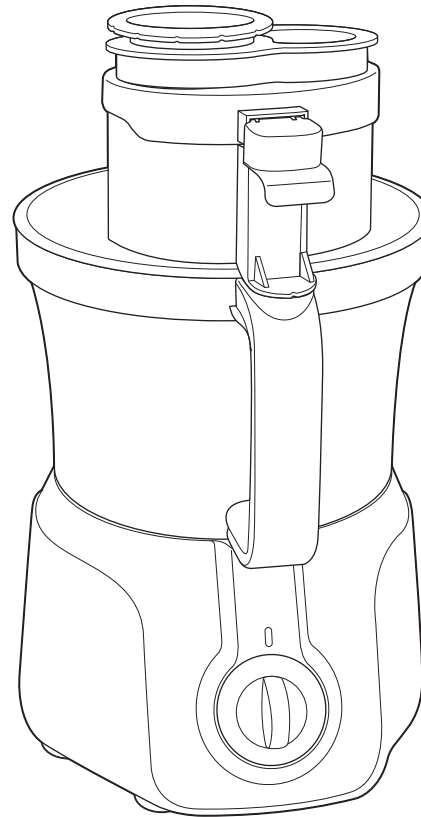
CAN : 1.800.267.2826

¿Preguntas?

Por favor llámenos – nuestros amables representantes están listos para ayudar.

MEX: 01 800 71 16 100

Le invitamos a leer cuidadosamente este instructivo antes de usar su aparato.



**Hamilton
Beach®**

Big Mouth™
Food Processor
Robot culinaire
Procesador de alimentos

English	2
Français	15
Español	28

IMPORTANT SAFEGUARDS

When using electrical appliances, basic safety precautions should always be followed, including the following:

1. Read and save all instructions.
2. To protect against risk of electrical shock, do not immerse base, motor, cord, or plug in water or other liquid.
3. Close supervision is necessary when any appliance is used by or near children.
4. This appliance should not be used by children.
5. Unplug cord from outlet when not in use, before putting on or taking off parts, and before cleaning.
6. Avoid contacting moving parts.
7. Do not operate any appliance with a damaged cord or plug or after the appliance malfunctions or is dropped or damaged in any manner. Call our toll-free customer service number for information on examination, repair, or electrical or mechanical adjustment.
8. The use of attachments not recommended or sold by the appliance manufacturer may cause fire, electric shock, or injury.
9. Do not use your food processor if any part is broken.
10. Do not use appliance outdoors.
11. Do not let cord hang over edge of table or counter, or touch hot surfaces.
12. Keep hands and utensils away from moving blade and disc while processing food to reduce the risk of severe personal injury and/or damage to the food processor. A rubber scraper may be used but **ONLY** when the food processor is not running.
13. The blade and disc are sharp. Handle carefully. Store out of reach of children.
14. To reduce the risk of injury, never place cutting blade or disc on base without first putting bowl properly in place.
15. Be certain lid is securely locked in place before operating appliance.
16. Never feed food into food chute by hand. Always use the food pushers.
17. Do not attempt to defeat the lid interlock mechanism.
18. Make sure the blade or disc has come to a full stop before removing lid.
19. To reduce the risk of injury, be sure to insert or remove blade and disc using hubs provided for this purpose. Use caution when removing blade and disc from the bowl, when emptying the bowl, and when cleaning.
20. Be sure to turn switch to OFF (O) position after each use. Always use the pushers to clear the food chute. When this method is not possible, turn the motor off and disassemble unit to remove the remaining food.
21. The appliance is not intended for commercial, professional, or industrial use. It is designed and built exclusively for household use only.
22. Never use appliance for a longer period or with a larger amount of ingredients other than that recommended by appliance manufacturer. See section titled "Processing Charts."
23. Do not place on or near a hot gas or electric burner or in a heated oven.
24. Do not use appliance for other than intended use.

SAVE THESE INSTRUCTIONS!

OTHER CONSUMER SAFETY INFORMATION

This product is intended for household use only.

WARNING! Shock Hazard: This appliance has a polarized plug (one wide blade) that reduces the risk of electric shock. The plug fits only one way into a polarized outlet. Do not defeat the safety purpose of the plug by modifying the plug in any way or by using an adapter. If the plug does not fit, reverse the plug. If it still does not fit, have an electrician replace the outlet.

To avoid an electrical circuit overload, do not use another high-wattage appliance on the same circuit with your food processor.

The length of the cord used on this appliance was selected to reduce the hazards of becoming tangled in or tripping over a longer cord. If a longer cord is necessary, an approved extension cord may be used. The electrical rating of the extension cord must be equal to or greater than the rating of the appliance. Care must be taken to arrange the extension cord so that it will not drape over the countertop or tabletop where it can be pulled on by children or accidentally tripped over.

Parts and Features

BEFORE FIRST USE: Unpack processor. Handle Blade and Disc(s) carefully; they are very sharp. Wash all parts except base in hot, soapy water. Rinse; then dry.

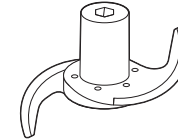
ON SELECT MODELS OR OPTIONAL ACCESSORY



S-Blade Adapter Shaft
(for use with small bowl only)



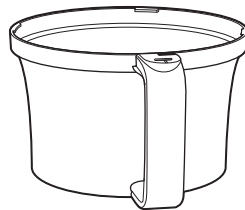
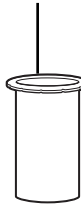
Small Bowl
(on select models)



Chopping/Mixing Blade
(Pulse or Speeds 1–3)
Use to coarsely chop, mince, mix, or puree food.

Small Food Pusher

Large Food Pusher



Large Bowl



Motor Shaft

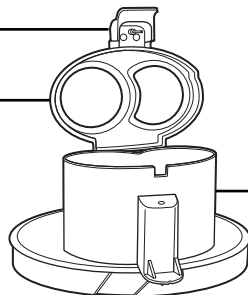
Reversible Slicing/Shredding Disc
(Speeds 1 or 2)

(for use with large bowl only)
Use to shred cheese or to slice or shred a variety of foods (such as potatoes, pepperoni, carrots, celery).

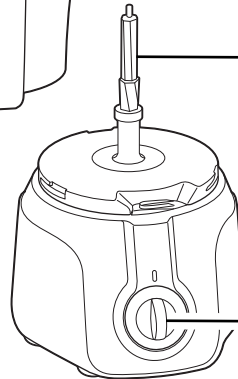


Food Chute Lid Latch

Food Chute Lid



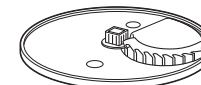
Lid



Control Knob

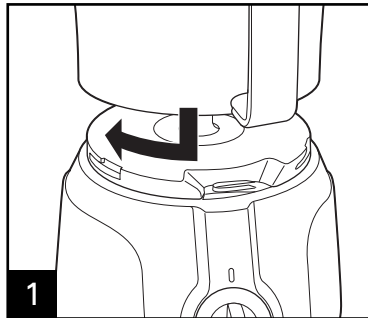
French Fry Blade (Speeds 1 or 2)
(on select models or optional accessory)

To order:
1.800.851.8900 (US)
1.800.267.2826 (Canada)

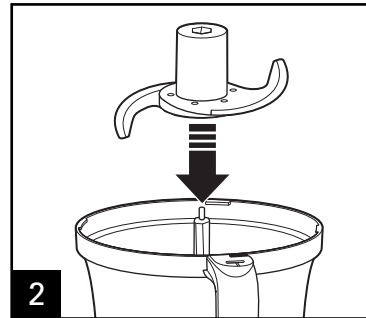


How to Use Chopping/Mixing Blade (with Large Bowl) (Pulse or Speeds 1-3)

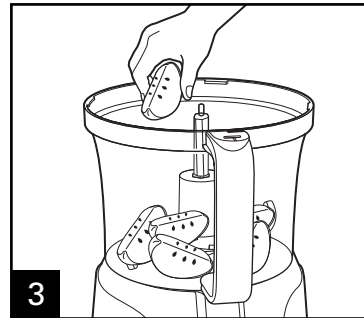
⚠ WARNING Laceration Hazard. Handle blade carefully; it is very sharp. Make sure control knob is turned to OFF (O) and unit is unplugged. **NOTE:** Operate using only one blade or disc at a time.



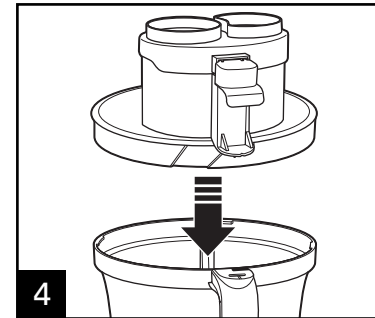
1 Align large bowl and base. Turn large bowl clockwise to lock into place. **NOTE:** Unit will not work unless large bowl is locked.



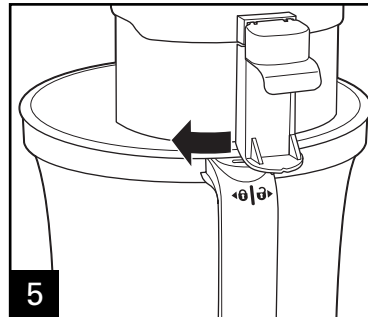
2 Carefully place blade onto motor shaft.



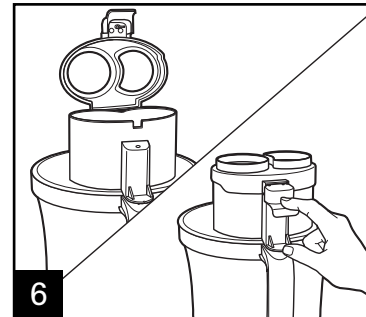
3



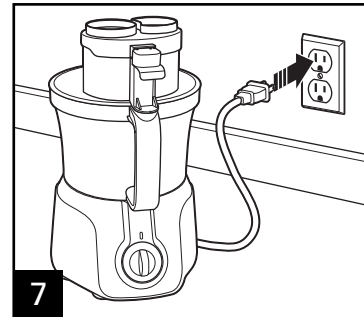
4 Align lid and large bowl.



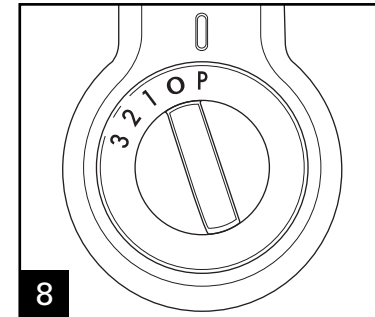
5 Turn lid clockwise to lock into place. **NOTE:** Unit will not work unless lid is locked.



6 Push lid latch firmly to lock. **NOTE:** Unit will not work unless latch is locked.



7

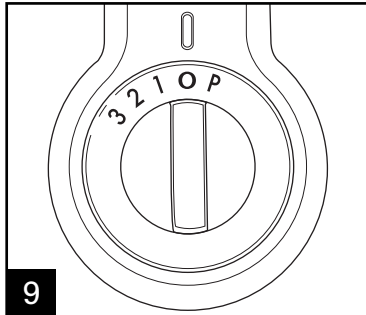


8 Pulse=Highest, 3=High, 2=Medium, 1=Low

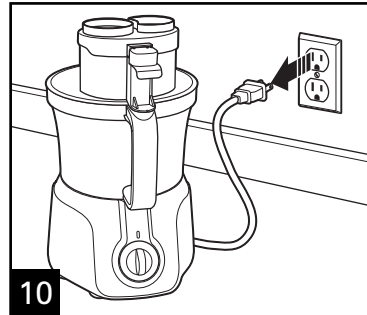
5

How to Use Chopping/Mixing Blade

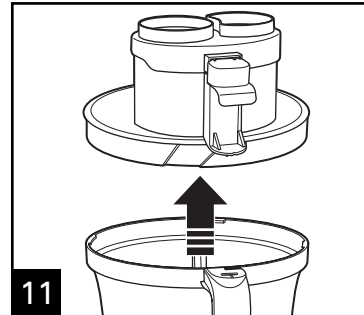
(with Large Bowl) (Pulse or Speeds 1–3) (cont.)



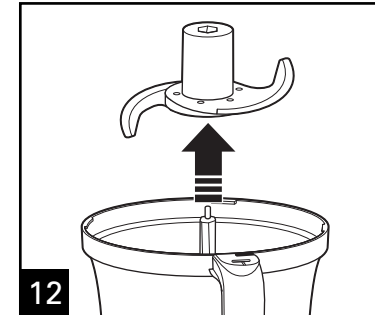
9 When finished, turn to OFF (O).



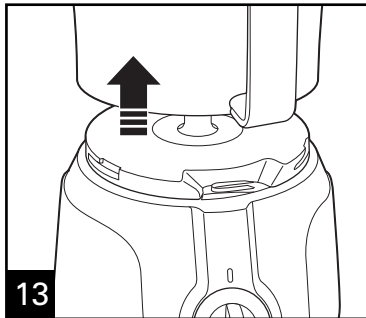
10 **WARNING! Laceration Hazard:** Always wait until blade has stopped moving before removing lid.



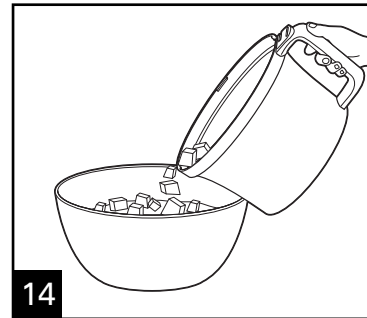
11 Always remove lid before removing bowl to avoid possible damage to the appliance.



12 Carefully remove blade from motor shaft.



13

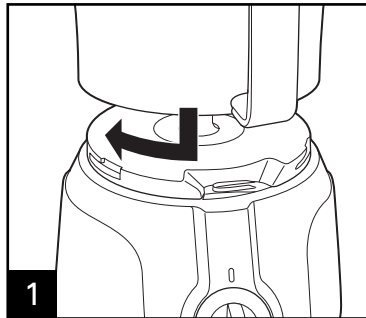


14

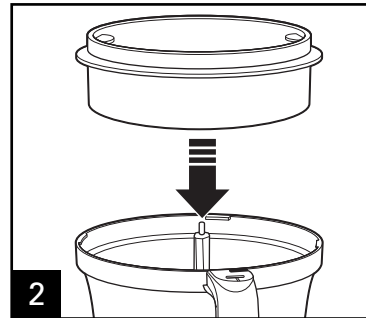
How to Use Chopping/Mixing Blade

(with Small Bowl on select models) (Pulse or Speeds 1–3)

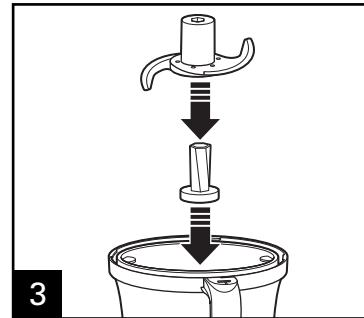
⚠ WARNING Laceration Hazard. Handle blade carefully; it is very sharp. Make sure control knob is turned to OFF (O) and unit is unplugged. **NOTE:** Operate using only one blade or disc at a time.



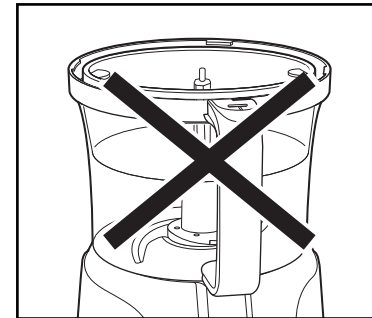
1 Align large bowl and base. Turn large bowl clockwise to lock into place. **NOTE:** Unit will not work unless large bowl is locked.



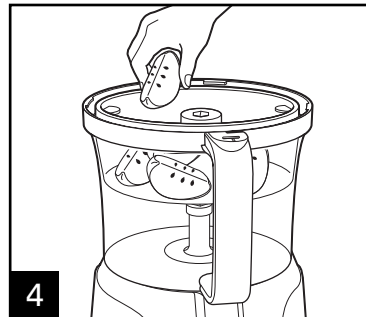
2 Place small bowl over motor shaft and set in place (small bowl will not lock).



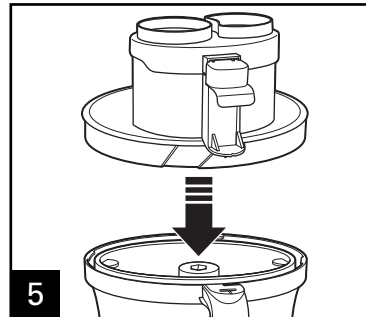
3 Place adapter shaft and then mixing blade on motor shaft.



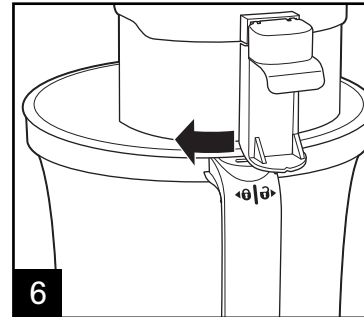
DO NOT use small bowl with chopping blade in bottom position.



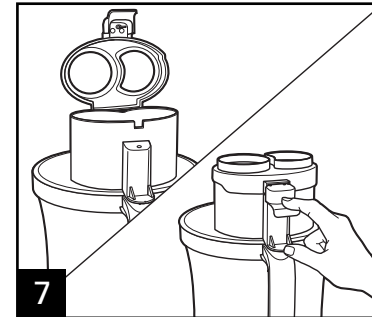
4



5 Align lid and large bowl.



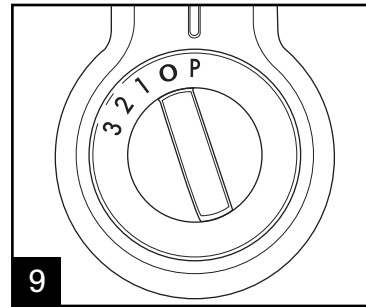
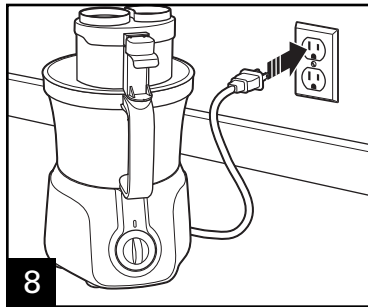
6 Turn lid clockwise to lock into place. **NOTE:** Unit will not work unless lid is locked.



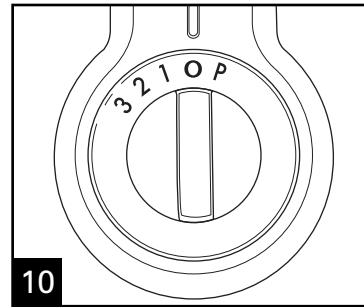
7 Push lid latch firmly to lock. **NOTE:** Unit will not work unless latch is locked.

How to Use Chopping/Mixing Blade

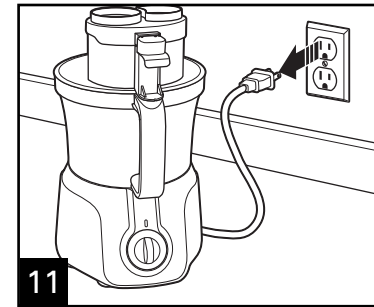
(with Small Bowl on select models) (Pulse or Speeds 1–3) (cont.)



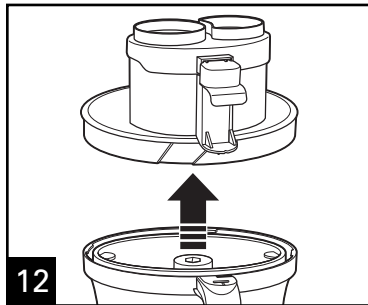
Pulse=Highest, 3=High,
2=Medium, 1=Low



When finished, turn to OFF (O).

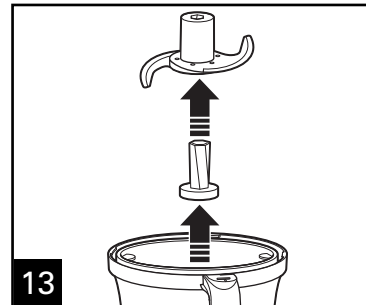


WARNING! Laceration Hazard:
Always wait until blade has
stopped moving before
removing lid.

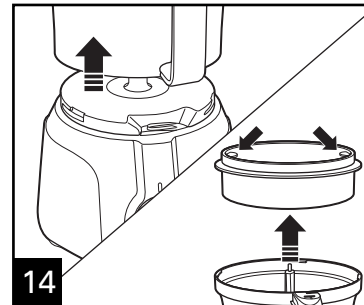


Always remove lid before removing small bowl to avoid possible damage to the appliance.

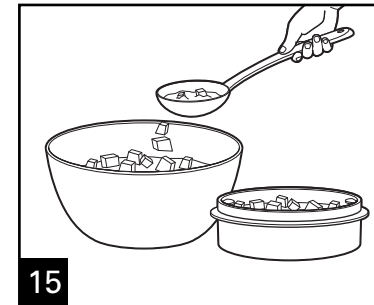
8



Carefully remove mixing blade and adapter shaft from motor shaft before dispensing food.

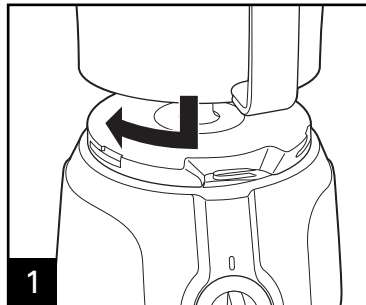


Use tabs on small bowl to remove from large bowl.

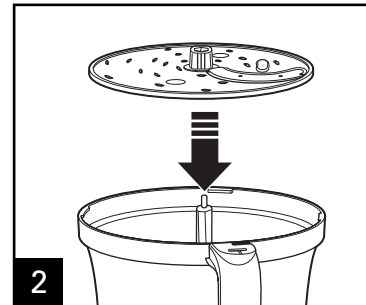


How to Use Slicer/Shredder Disc (with Large Bowl only) (Speeds 1 or 2)

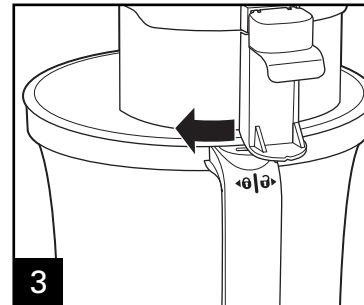
⚠ WARNING Laceration Hazard. Handle blade carefully; it is very sharp. Make sure control knob is turned to OFF (O) and unit is unplugged. **NOTE:** Operate using only one blade or disc at a time.



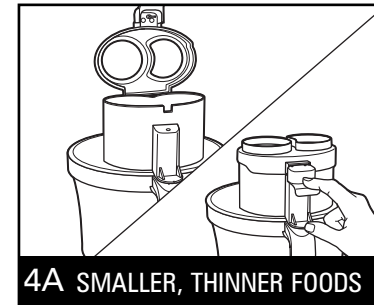
1
Align large bowl and base. Turn large bowl clockwise to lock into place. **NOTE:** Unit will not work unless large bowl is locked.



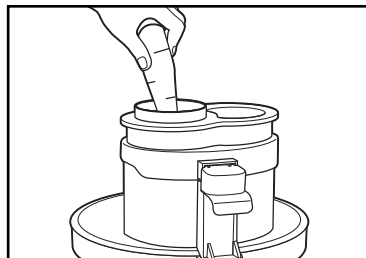
2
Carefully place disc onto motor shaft with desired side facing UP.



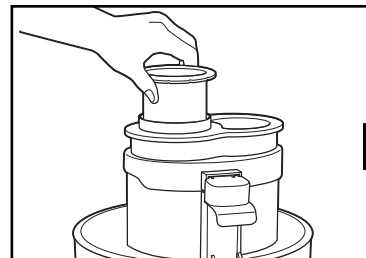
3
Align lid and large bowl. Turn lid clockwise to lock into place. **NOTE:** Unit will not work unless lid is locked.



4A SMALLER, THINNER FOODS
Close lid and push lid latch firmly to lock. **NOTE:** Unit will not work unless latch is locked.

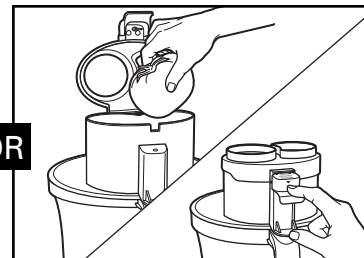


SMALLER, THINNER FOODS
Put large food pusher into place. Place food into open tube of large food pusher.

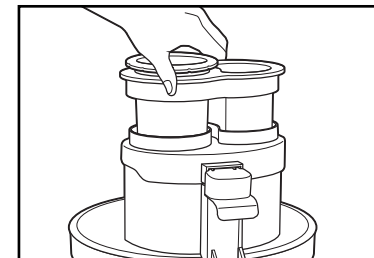


SMALLER, THINNER FOODS
Push small, thin food with small food pusher. Never push food through chute with fingers.

OR



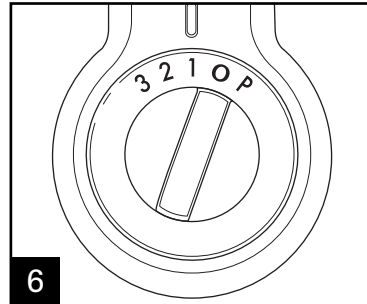
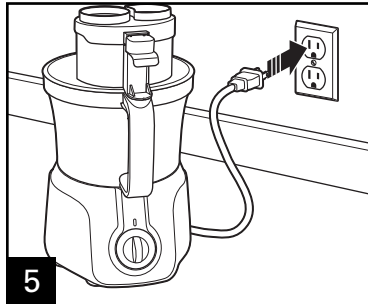
4B LARGER FOODS
Close lid and push lid latch firmly to lock. **NOTE:** Unit will not work unless latch is locked.



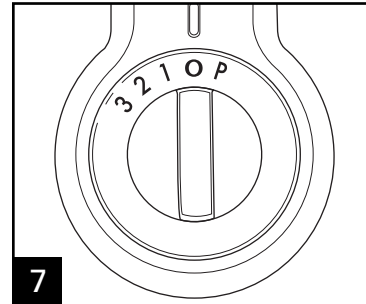
LARGER FOODS
Push large foods using large and small food pushers together. Never push food through chute with fingers.

How to Use Slicer/Shredder Disc

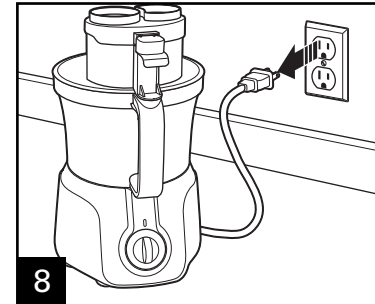
(with Large Bowl only) (Speeds 1 or 2) (cont.)



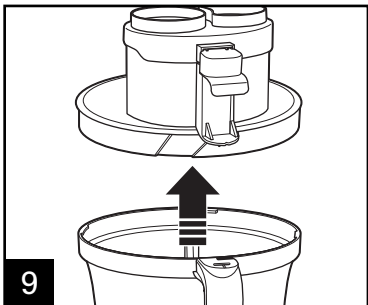
2=Medium, 1=Low



When finished, turn OFF (O).

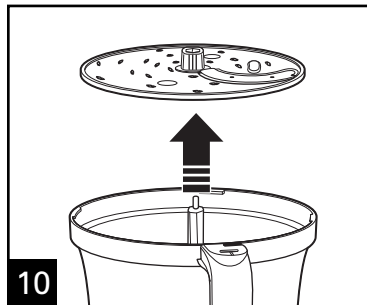


WARNING! Laceration Hazard:
Always wait until blade has stopped moving before removing lid.

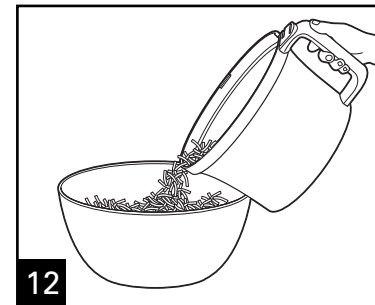
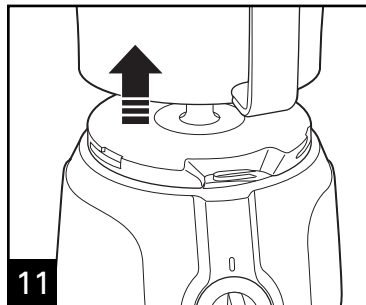


Always remove lid before removing large bowl to avoid possible damage to the appliance.

10



Carefully remove blade from motor shaft.



Tips and Techniques

- For a more uniform consistency, start with pieces of food that are similar in size. Cut food into 1-inch (2.5 cm) pieces before processing with Chopping/Mixing Blade.
- This food processor is excellent to chop, mix, slice, or shred most foods. However, to maintain peak performance, do not use your food processor for the following: grinding grain, coffee beans, or spices; slicing frozen meats; kneading dough; or crushing ice.
- When chopping foods, pulsing on and off will produce the best results.
- Operating time will depend on quantity of food being processed. Most foods can be sliced, chopped, or shredded in seconds. If unit is operated for 2 minutes continuously, let the processor rest about 4 minutes before continuing.
- Do not puree or mash starchy vegetables like potatoes as they are easily over-processed and will become gummy.
- To slice or shred cheese, select firm cheese like Cheddar, Monterey Jack, or Swiss. For best results, process cheese that is well chilled.
- The Reversible Slicing/Shredding Disc has a slicing blade on one side and shredding teeth on the other and can only be used with the large bowl. The name engraved on the blade, facing up, is the function selected. Place on motor shaft with desired cutting edge facing up.
- To julienne vegetables, slice, remove from bowl, and restack the vegetables. Pack into food chute with slices vertical. Slice again to make matchstick-cut vegetables.

Processing Charts

Disc attachments are reversible and labeled. This label should face up for the desired function. When using disc attachments, do not process past the MAX LEVEL on the Bowl.

ATTACHMENT	FOODS	SPEED
Chopping/Mixing Blade (chop, mince, mix, puree)	Vegetables, Fruit, Meat, Nuts, Hard Cheeses such as Parmesan (chilled)	Pulse or Speeds 1-3
Slicing Disc (slicing side facing UP)	Vegetables, Fruit	1-2
	Firm Cheeses (chilled)	1 only
Shredding Disc (shredding side facing UP)	Vegetables	1-2
	Cheese (chilled)	1 only

For best results do not exceed the following amounts when chopping, mincing, or pureeing with the Chopping/Mixing Blade.

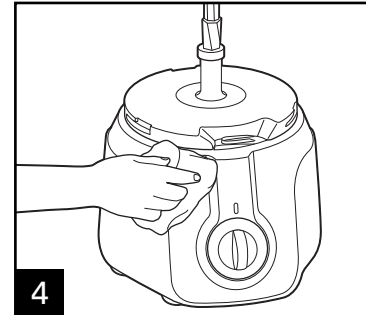
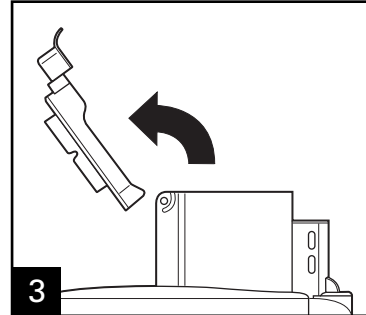
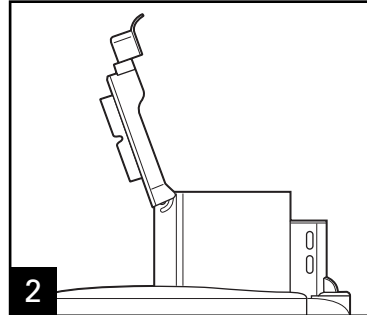
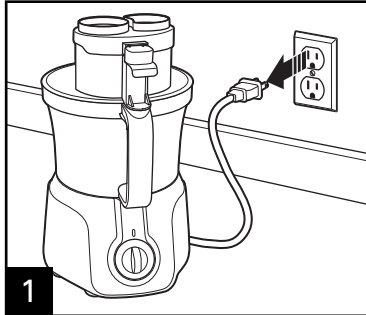
FOOD	MAXIMUM AMOUNT LARGE BOWL	MAXIMUM AMOUNT SMALL BOWL
Fruits and Vegetables	3 to 4 cups (.75 L to 1 L) (cut in 1" [2.5 cm] cubes)	1.5 to 2 cups (.38 L to .5 L) (cut in 1" [2.5 cm] cubes)
Meats	2 lbs. (900 g) (cut in 1" [2.5 cm] cubes)	1 lbs. (450 g) (cut in 1" [2.5 cm] cubes)
Parmesan or Romano	15 ounces (425 g) (cut in 1" [2.5 cm] cubes)	8 ounces (225 g) (cut in 1" [2.5 cm] cubes)
Crackers	14 cups (3.5 L) (can fill bowl and lid up into chute)	7 cups (1.75 L) (can fill bowl and lid up into chute)
Nuts	4 cups (1 L)	2 cups (.5 L)

Cleaning and Care

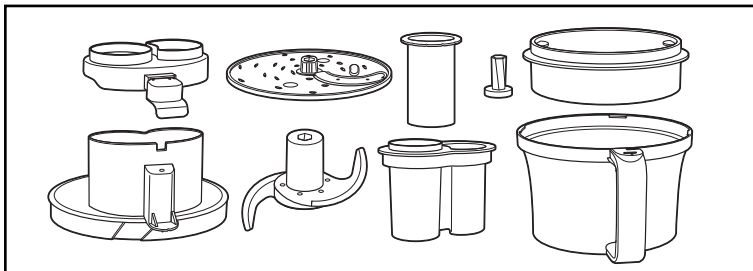
⚠ WARNING

Electrical Shock Hazard.

Disconnect power before cleaning. Do not immerse cord, plug, or base in any liquid.



Wipe base, control knob, and cord with a damp cloth or sponge. If necessary, use a mild nonabrasive cleanser.



DISHWASHER-SAFE

TO STORE: Place large bowl on base. (For a unit that includes the small bowl, place the large bowl on the base and set the small bowl inside. Lay the adapter shaft loose in the small bowl.) Place Chopping/Mixing Blade and Slicer/Shredder Disc onto the motor shaft. Place lid on bowl(s). To prevent damage to the bowl, **DO NOT LOCK.**

Visit www.hamiltonbeach.com for our complete line of products and Use and Care Guides – as well as delicious recipes, tips, and to register your product online!



Troubleshooting

PROBLEM	PROBABLE CAUSE
Unit does not operate on any speed or Pulse.	<ul style="list-style-type: none"> • Is the unit plugged in? Does the outlet work? • Are the bowl, bowl lid, and food chute lid all locked in place? See "How to Use" sections. • If using small bowl, adapter shaft may be missing and must be placed on motor shaft for S-blade to operate.
Food is not chopped, sliced or shredded uniformly.	<ul style="list-style-type: none"> • Packing too much food in the food chute or pushing too hard on the food pusher may cause the processed food to be irregularly sliced or shredded. • Recommended speed for slicing and shredding disc should be 1 for cheeses and 1 or 2 for vegetables or fruit. • Refer to the food processing charts for recommended sizes, speeds, and quantities.
Unit stops and will not come back on.	<ul style="list-style-type: none"> • Are the bowl, bowl lid, and food chute lid all locked in place? They may have moved slightly during processing. See "How to Use" sections. • Is the outlet still working? Check it by plugging in a working lamp or other appliance. You may have overloaded the circuit and blown a fuse or tripped the circuit breaker. • Turn unit OFF, allow to stand for 3 to 4 minutes, and then turn back ON. If none of these suggestions correct the problem, DO NOT attempt to repair the unit. Call the Customer Service number to get the name of your nearest Authorized Service Center.
Unit has a burning smell.	<ul style="list-style-type: none"> • There may be a residue left on the motor from the manufacturing process, causing a slight odor during initial use. This will go away. If a strong odor or any visible smoke appears, unplug unit IMMEDIATELY and call the Customer Service number.
Motor seems weak.	<ul style="list-style-type: none"> • Are you using the recommended food size and quantity to be processed? Refer to the Food Processing Charts for recommended food sizes and speeds.

Limited Warranty

This warranty applies to products purchased in the U.S. and Canada. This is the only express warranty for this product and is in lieu of any other warranty or condition.

This product is warranted to be free from defects in material and workmanship for a period of one (1) year from the date of original purchase. During this period, your exclusive remedy is repair or replacement of this product or any component found to be defective, at our option; however, you are responsible for all costs associated with returning the product to us and our returning a product or component under this warranty to you. If the product or component is no longer available, we will replace with a similar one of equal or greater value.

This warranty does not cover glass, filters, wear from normal use, use not in conformity with the printed directions, or damage to the product resulting from accident, alteration, abuse, or misuse. This warranty extends only to the original consumer purchaser or gift recipient. Keep the original sales receipt, as proof of purchase is required to make a warranty claim. This warranty is void if the product is used for other than single-family household use.

We exclude all claims for special, incidental, and consequential damages caused by breach of express or implied warranty. All liability is limited to the amount of the purchase price. **Every implied warranty, including any statutory warranty or condition of merchantability or fitness for a particular purpose, is disclaimed except to the extent prohibited by law, in which case such warranty or condition is limited to the duration of this written warranty.** This warranty gives you specific legal rights. You may have other legal rights that vary depending on where you live. Some states or provinces do not allow limitations on implied warranties or special, incidental, or consequential damages, so the foregoing limitations may not apply to you.

To make a warranty claim, do not return this appliance to the store. Please call 1.800.851.8900 in the U.S. or 1.800.267.2826 in Canada or visit hamiltonbeach.com in the U.S. or hamiltonbeach.ca in Canada. For faster service, locate the model, type, and series numbers on your appliance.

IMPORTANTES CONSEILS DE SÉCURITÉ

Pendant l'utilisation d'appareils électriques, des mesures de sécurité élémentaires doivent toujours être respectées, incluant les suivantes :

1. Lire et conserver toutes les instructions.
2. Pour éviter les risques d'électrocution, ne pas immerger la base, le moteur, le cordon et la fiche dans l'eau ou tout autre liquide.
3. Une supervision vigilante est nécessaire pendant l'utilisation de tout appareil par ou près des enfants.
4. Cet appareil ne doit pas être utilisé par un enfant.
5. Débrancher le cordon de la prise dès la fin de l'utilisation, avant d'installer ou de retirer des pièces et avant le nettoyage.
6. Éviter de toucher des pièces mobiles.
7. Ne pas utiliser aucun appareil dont le cordon ou la prise est endommagé, ou toutes anomalies de fonctionnement de l'appareil, une chute ou tout autre dommage quel qu'il soit. Composer notre numéro de service aux clients sans frais pour renseignements concernant l'examen, la réparation ou l'ajustement électrique ou mécanique.
8. L'utilisation d'accessoires non recommandés par le fabricant ou vendus par le fabricant de l'appareil peut provoquer un incendie, une électrocution ou des blessures.
9. Ne pas utiliser votre robot culinaire avec des pièces brisées.
10. Ne pas utiliser cet appareil à l'extérieur.
11. Ne pas laisser pendre le cordon de la table ou du comptoir et éviter tout contact avec les surfaces chaudes.
12. Tenir les mains et les ustensiles éloignés d'une lame et d'un disque en mouvement pendant la transformation des aliments pour éviter les blessures graves et les dommages au robot culinaire. Un racloir en plastique peut être utilisé, mais **UNIQUEMENT** pendant l'arrêt du robot culinaire.
13. La lame et le disque sont coupants. Manipuler avec soins. Ranger hors de la portée des enfants.
14. Pour éviter les risques de blessures, ne jamais placer la lame de coupe ou un disque sur le socle sans avoir préalablement installé le récipient correctement.
15. S'assurer que le couvercle est en place et bien verrouillé avant de faire fonctionner l'appareil.
16. Ne jamais introduire d'aliments dans l'entonnoir avec les mains. Toujours utiliser les poussoirs.
17. Ne pas tenter de démonter le mécanisme de verrouillage.
18. S'assurer que la lame ou le disque effectue un arrêt complet avant de retirer le couvercle.
19. Pour éviter les risques de blessures, s'assurer d'installer ou de retirer la lame et le disque en utilisant les embouts fournis à cet effet. Utiliser la prudence lors du retrait de la lame ou du disque du récipient, pendant le vidage du récipient et lors du nettoyage.
20. S'assurer que le commutateur est en position d'arrêt (**O**) après chaque utilisation. Toujours utiliser les poussoirs pour désobstruer l'entonnoir. Lorsque cette méthode est impossible, arrêter le moteur et démonter le récipient pour retirer les aliments coincés.
21. Cet appareil n'est pas conçu pour une utilisation commerciale, professionnelle ou industrielle. Cet appareil est uniquement conçu pour une utilisation domestique.
22. Ne jamais prolonger le temps de fonctionnement de cet appareil ou utiliser des quantités d'aliments supérieures aux recommandations du fabricant. Voir le chapitre « Tableaux de transformation ».
23. Ne pas placer sur ou près d'un brûleur à gaz ou électrique chaud ou dans un four chaud.
24. N'utiliser cet appareil que pour les fonctions auxquelles il est destiné.

CONSERVER CES INSTRUCTIONS !

AUTRE CONSIGNE DE SÉCURITÉ POUR LE CONSOMMATEUR

Cet appareil est conçu pour une utilisation domestique seulement.

AVERTISSEMENT! Risque d'électrocution : Cet appareil est doté d'une fiche polarisée (lame large) qui réduit le risque d'électrocution. Cette fiche s'insère d'une seule manière dans une prise polarisée. Ne pas transformer le dispositif de sécurité de la fiche en modifiant celle-ci de quelque manière que ce soit ou en utilisant un adaptateur. Si la fiche refuse de s'insérer, inversez-la. Si elle refuse toujours de s'insérer, faites remplacer la prise par un électricien.

Pour éviter la surcharge du circuit électrique, ne pas faire fonctionner d'autre appareil à grande puissance sur le même circuit que le robot culinaire.

La longueur du cordon installé sur cet appareil a été sélectionnée afin de réduire les risques d'enchevêtrement ou de faux pas causés par un fil trop long. L'utilisation d'une rallonge approuvée est permise si le cordon est trop court. Les caractéristiques électriques de la rallonge doivent être équivalentes ou supérieures aux caractéristiques de l'appareil. Prendre toutes les précautions nécessaires pour installer la rallonge de manière à ne pas faire courir sur le comptoir ou sur une table pour éviter qu'un enfant ne tire sur le cordon ou trébuche accidentellement.

Pièces et caractéristiques

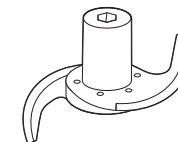
EN FONCTION DU MODÈLE SÉLECTIONNÉ OU DE L'ACCESSOIRE EN OPTION



Tige adaptatrice pour lame en forme de S
(uniquement à utiliser avec un petit bol)



Petit bol
(pour les modèles sélectionnés)



Lame à hacher/mélanger
(Impulsion ou vitesses 1-3)

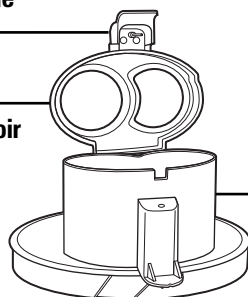
Utiliser pour hacher et émincer grossièrement, mélanger ou mettre des aliments en purée jusqu'à consistance lisse.

Pétite poussoir

Gros poussoir

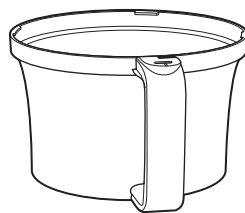


Taquet de couvercle de l'entonnoir

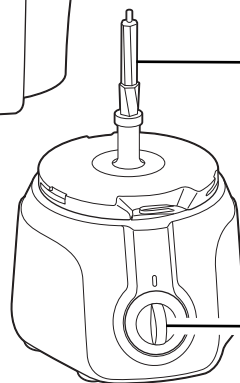


Couvercle de l'entonnoir

Couvercle



Grand bol



Arbre du moteur



Disque à trancher/râper réversible
(Vitesses 1 ou 2)

(uniquement à utiliser avec un grand bol)
Utiliser ce disque pour râper le fromage ou couper en tranches or râper un assortiment d'aliments (comme pommes de terre, saucisson épicié, carottes, céleri).



Lame pour patates frites
(Vitesses 1 ou 2) (sur certains modèles ou accessoire optionnel)

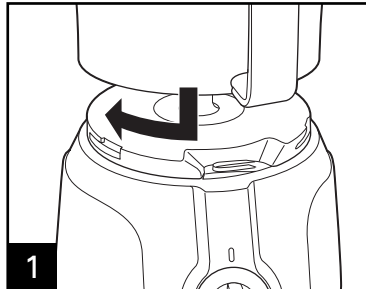
Pour commander :
1.800.851.8900 (É.-U.)
1.800.267.2826 (Canada)

Bouton de commande

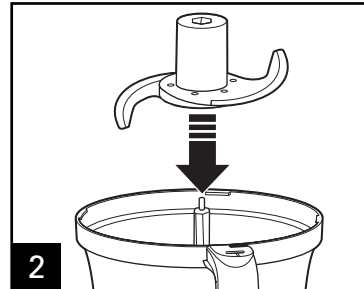
Utilisation de la lame à hacher/mélanger (avec un grand bol) (Impulsion ou vitesses 1–3)

⚠ AVERTISSEMENT Risque de déchirures. Tenir la lame avec soins; elle est très coupante.

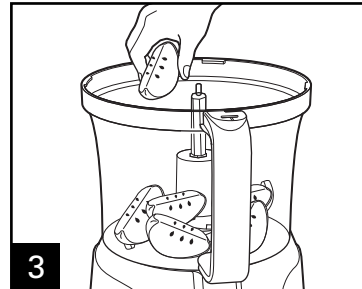
S'assurer que le bouton de commande est en position d'arrêt (O) et que l'appareil est débranché. **NOTE** : N'utiliser qu'une seule lame ou un seul disque à la fois.



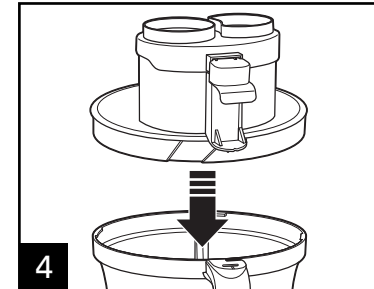
1 Aligner le grand bol au socle. Tourner le grand bol dans le sens des aiguilles d'une montre pour le verrouiller en place. **NOTE** : L'appareil ne fonctionne que si le grand bol est verrouillé.



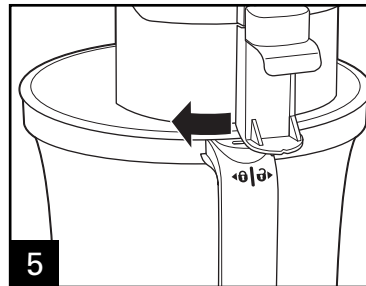
2 Placer soigneusement la lame sur l'arbre du moteur.



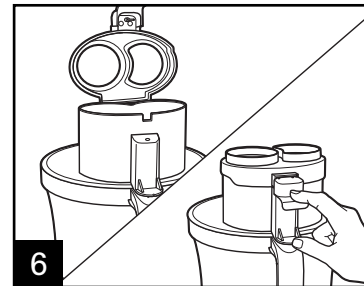
3



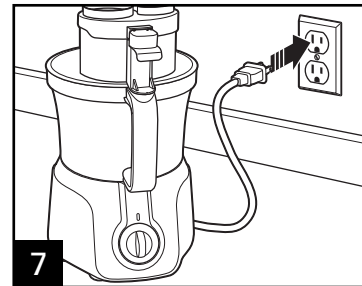
4 Aligner le grand bol et couvercle.



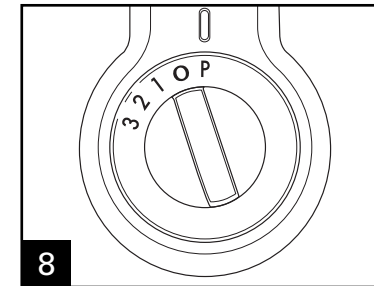
5 Tourner le couvercle dans le sens des aiguilles d'une montre pour verrouiller en place. **NOTE** : L'appareil ne fonctionne que si le couvercle est verrouillé.



6 Appuyer sur le taquet couvercle pour le verrouiller fermement. **NOTE** : L'appareil ne fonctionne que si le taquet de couvercle est verrouillé.

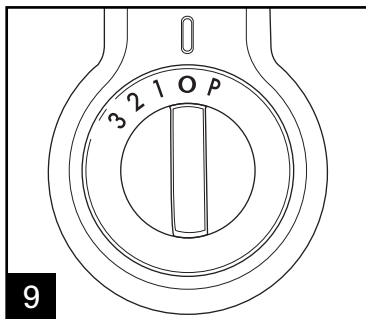


7

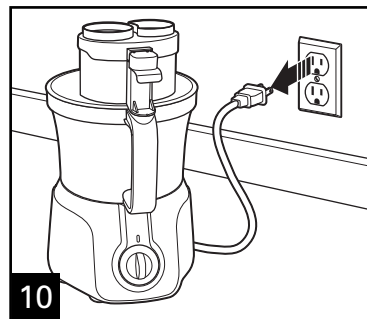


8 Impulsion (P) = Maximale, 3 = Élevée, 2 = Moyenne, 1 = Minimale

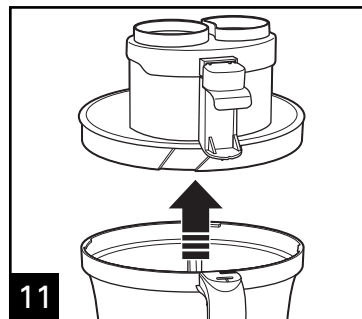
Utilisation de la lame à hacher/mélanger (avec un grand bol) (Impulsion ou vitesses 1-3) (suite)



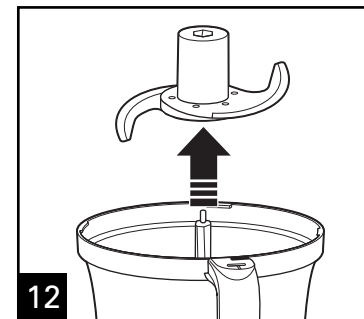
9 Mettre hors tension (0) dès la fin de l'utilisation.



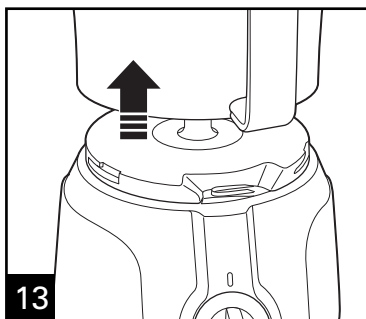
10 **AVERTISSEMENT !** Risque de déchirures : Attendre la fin de la rotation de la lame avant de retirer le couvercle.



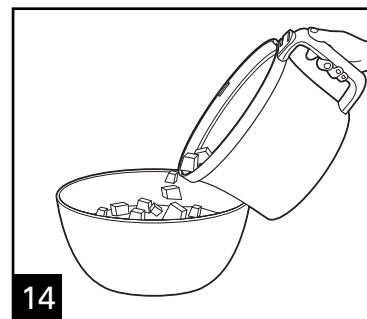
11 Pour éviter tout risque de dommage à l'appareil, toujours retirer le couvercle avant de retirer le bol.



12 Retirer soigneusement la lame de l'arbre du moteur.



13

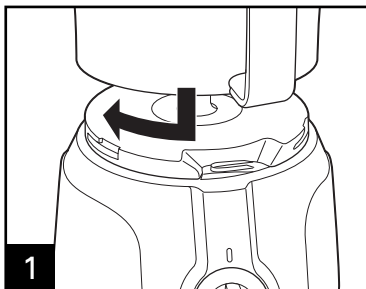


14

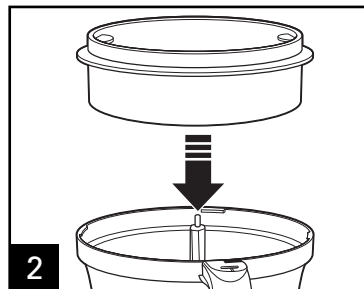
Utilisation de la lame à hacher/mélanger (avec un petit bol pour les modèles sélectionnés) (Impulsion ou vitesses 1-3)

⚠ AVERTISSEMENT Risque de déchirures. Tenir la lame avec soins; elle est très coupante.

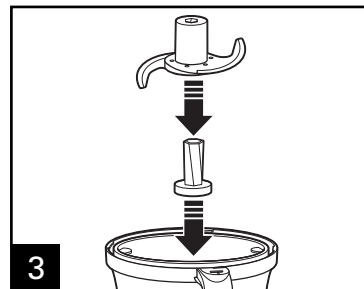
S'assurer que le bouton de commande est en position d'arrêt (O) et que l'appareil est débranché. **NOTE** : N'utiliser qu'une seule lame ou un seul disque à la fois.



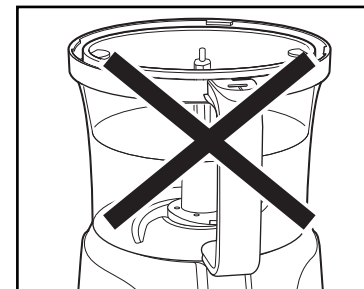
1 Aligner le grand bol au socle. Tourner le grand bol dans le sens des aiguilles d'une montre pour le verrouiller en place. **NOTE** : L'appareil ne fonctionne que si le grand bol est verrouillé.



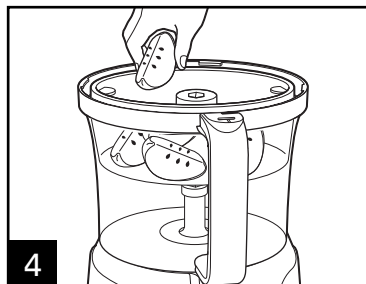
2 Placer le petit bol sur la tige motorisée et fixez-le dessus (sinon le petit bol ne se verrouillera pas).



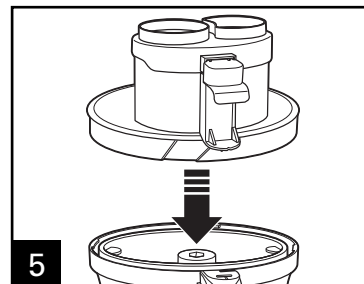
3 Positionner la tige adaptatrice puis la lame du mélangeur sur la tige motorisée.



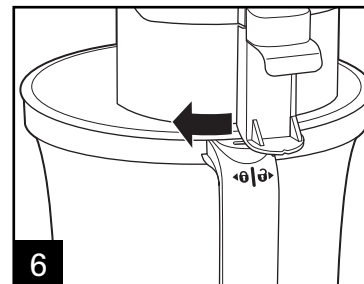
N'utiliser PAS le petit bol avec une lame de découpage en position basse.



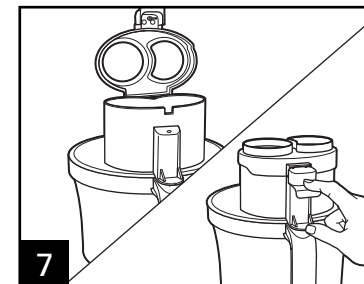
4



5 Aligner le grand bol et couvercle.



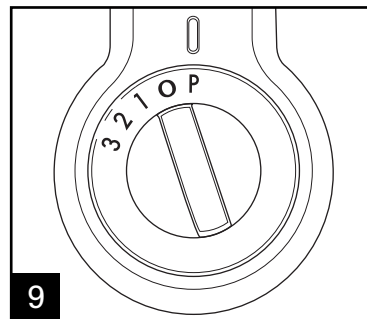
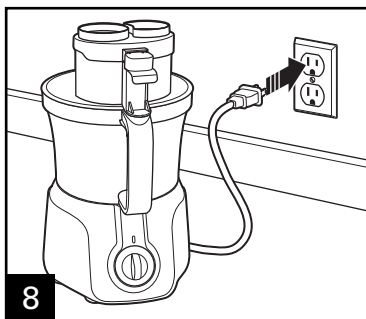
6 Tourner le couvercle dans le sens des aiguilles d'une montre pour verrouiller en place. **NOTE** : L'appareil ne fonctionne que si le couvercle est verrouillé.



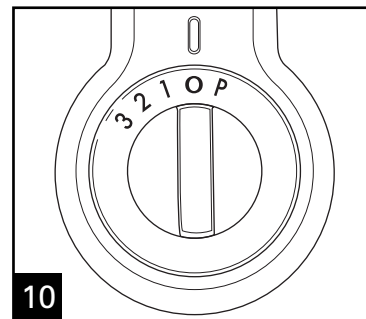
7

Appuyer sur le taquet couvercle pour le verrouiller fermement. **NOTE** : L'appareil ne fonctionne que si le taquet de couvercle est verrouillé.

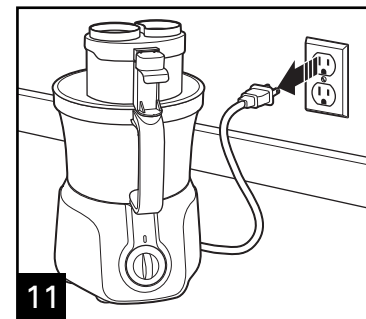
Utilisation de la lame à hacher/mélanger (avec un petit bol pour les modèles sélectionnés) (Impulsion ou vitesses 1-3) (suite)



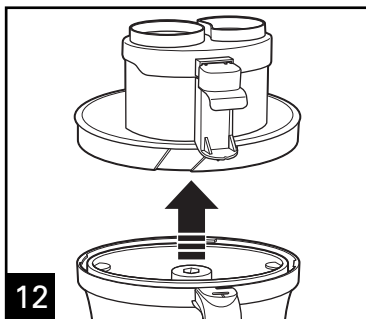
Impulsion (P) = Maximale,
3 = Élevée, 2 = Moyenne,
1 = Minimale



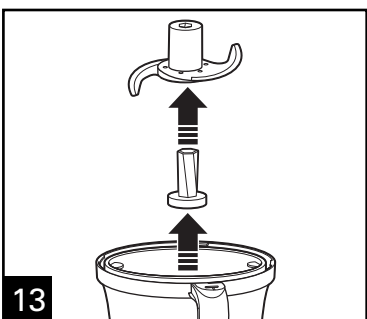
Mettez hors tension (O) dès la fin de l'utilisation.



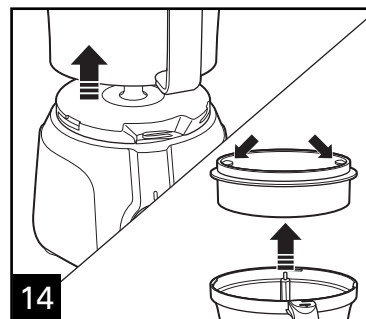
AVERTISSEMENT ! Risque de déchirures : Attendez la fin de la rotation de la lame avant de retirer le couvercle.



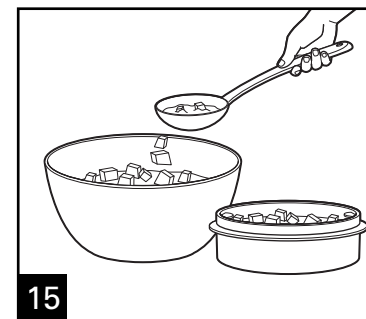
Pour éviter tout risque de dommage à l'appareil, toujours retirer le couvercle avant de retirer le petit bol.



Retirez prudemment la lame du mélangeur et la tige adaptatrice de la tige motorisée avant de prendre la nourriture.



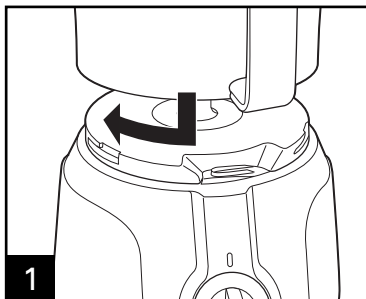
Agrippez la languette circulaire du petit bol pour retirer celui-ci du grand bol.



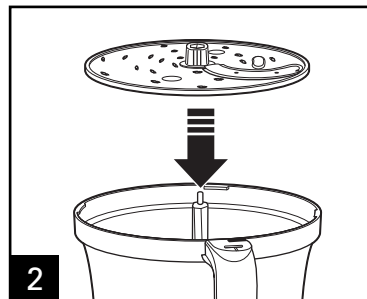
Utilisation du disque à trancher/râper (uniquement avec un grand bol) (Vitesses 1 ou 2)

⚠ AVERTISSEMENT Risque de déchirures. Tenir la lame avec soins; elle est très coupante.

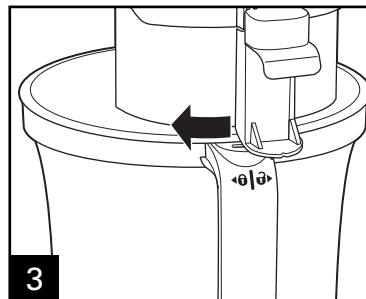
S'assurer que le bouton de commande est en position d'arrêt (O) et que l'appareil est débranché. **NOTE** : N'utiliser qu'une seule lame ou un seul disque à la fois.



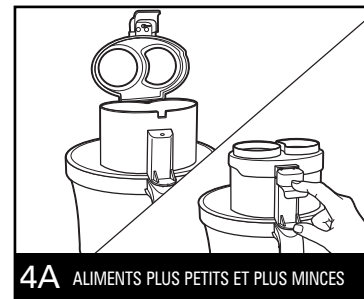
1 Aligner le grand bol au socle. Tourner le grand bol dans le sens des aiguilles d'une montre pour le verrouiller en place. **NOTE** : L'appareil ne fonctionne que si le grand bol est verrouillé.



2 Placer soigneusement le disque sur l'arbre du moteur en plaçant la face désirée vers le HAUT.



3 Aligner le grand bol et couvercle. Tourner le couvercle dans le sens des aiguilles d'une montre pour verrouiller en place. **NOTE** : L'appareil ne fonctionne que si le couvercle est verrouillé.



4A ALIMENTS PLUS PETITS ET PLUS MINCES

Appuyer sur le taquet couvercle pour le verrouiller fermement. **NOTE** : L'appareil ne fonctionne que si le taquet de couvercle est verrouillé.



ALIMENTS PLUS PETITS ET PLUS MINCES

Placer le gros poussoir correctement. Insérer les aliments dans l'orifice du tube de gros poussoir.

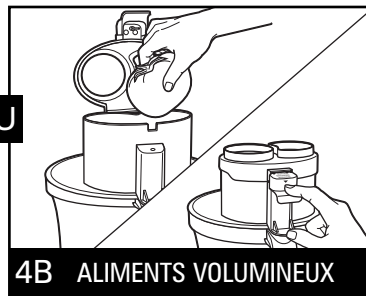
22



ALIMENTS PLUS PETITS ET PLUS MINCES

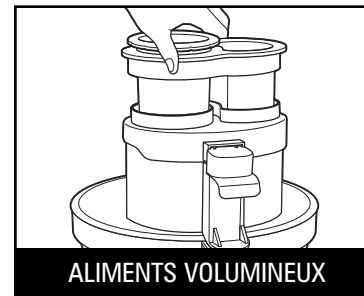
Introduire les aliments avec le petit poussoir. Ne jamais introduire d'aliments dans l'entonnoir avec les doigts.

OU



4B ALIMENTS VOLUMINEUX

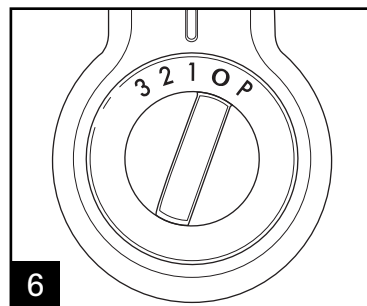
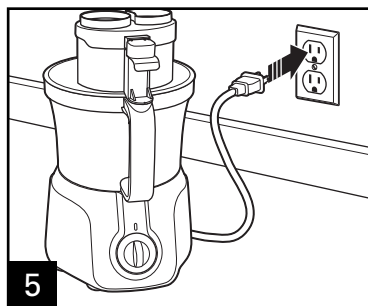
Appuyer sur le taquet couvercle pour le verrouiller fermement. **NOTE** : L'appareil ne fonctionne que si le taquet de couvercle est verrouillé.



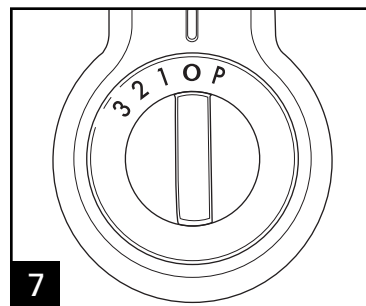
ALIMENTS VOLUMINEUX

Introduire les aliments avec le petit poussoir et le grand poussoir ensemble. Ne jamais introduire d'aliments dans l'entonnoir avec les doigts.

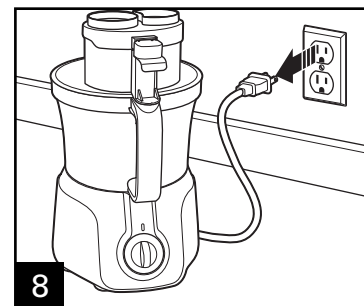
Utilisation du disque à trancher/râper (uniquement avec un grand bol) (Vitesses 1 ou 2) (suite)



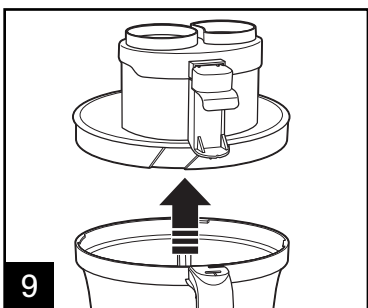
2 = Moyenne, 1 = Minimale



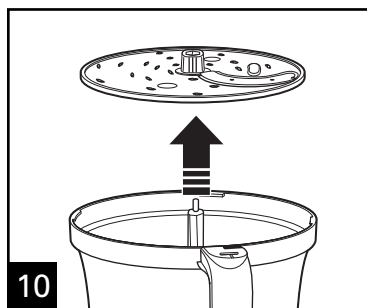
Mettre hors tension (0) dès la fin de l'utilisation.



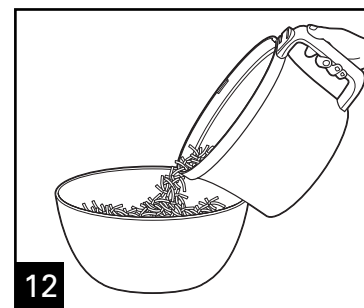
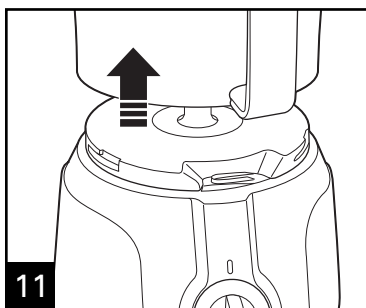
AVERTISSEMENT ! Risque de déchirures : Attendre la fin de la rotation de la lame avant de retirer le couvercle.



Pour éviter tout risque de dommage à l'appareil, toujours retirer le couvercle avant de retirer le bol.



Retirer soigneusement le disque de l'arbre du moteur.



Conseils et méthodes

- Pour obtenir une consistance uniforme, commencer par les morceaux d'aliments de même taille. Couper les aliments en morceaux de 2,5 cm (1 po) avant de les transformer avec la lame à hacher/mélanger.
- Ce robot culinaire est idéal pour hacher, mélanger, trancher ou râper la plupart des aliments. Toutefois, pour maintenir une performance optimale, ne pas utiliser le robot culinaire pour exécuter les tâches suivantes : moulin à café, grains de café ou épices, trancher de la viande congelée, pétrir la pâte, ou concasser de la glace.
- Pour hacher les aliments et obtenir des résultats optimaux, utiliser le mode d'impulsion en alternant la marche/arrêt.
- Le temps de fonctionnement dépend de la quantité d'aliments à transformer. La plupart des aliments peuvent être tranchés, hachés ou râpés en quelques secondes. Si l'appareil est utilisé de manière continue pendant 2 minutes, laissez reposer le robot culinaire pendant 4 minutes approximativement avant de continuer.
- Ne pas mettre en purée ou piler des légumes comme les pommes de terre, car leur sur-transformation est rapide et la texture deviendra collante.
- Pour trancher ou râper du fromage, choisir des fromages fermes comme le cheddar, Monterrey Jack ou le suisse. Pour des résultats optimaux, le fromage doit être bien refroidi avant de le transformer.
- Le disque à trancher/râper réversible possède une face avec une lame pour trancher et une autre avec des dents pour hacher et ne peut s'utiliser qu'avec un grand bol. Le nom gravé sur la lame, face vers le haut, est la fonction correspondante. Placer sur l'arbre du moteur et plaçant la face de coupe désirée vers le haut.
- Pour couper des légumes en julienne, trancher les légumes puis les retirer du récipient et les replacer. Remettre dans l'entonnoir en plaçant les tranches à la verticale. Trancher à nouveau pour obtenir des légumes coupés en julienne fine.

Tableaux de transformation

Les disques accessoires sont réversibles et identifiés. Cette marque doit se retrouver vers le haut pour obtenir la fonction désirée. Ne pas dépasser le niveau de remplissage maximal (MAX LEVEL) indiqué sur le récipient lors de l'utilisation des disques accessoires.

ACCESSOIRES	ALIMENTS	VITESSE
Lame à hacher/mélanger (hacher, émincer, mélanger et mettre en purée)	Légumes, fruits, viandes, noix, fromages fermes comme le parmesan (froid)	Impulsion ou vitesses 1-3
Disque à trancher (face à trancher vers le HAUT)	Légumes, fruits	1-2
	Fromages fermes (froids)	1 uniquement
Disque à râper (face à râper vers le HAUT)	Légumes	1-2
	Fromage (froid)	1 uniquement

Pour des résultats optimaux, ne pas excéder les quantités suivantes pour hacher, émincer ou mettre en purée à l'aide de la lame à hacher/mélanger.

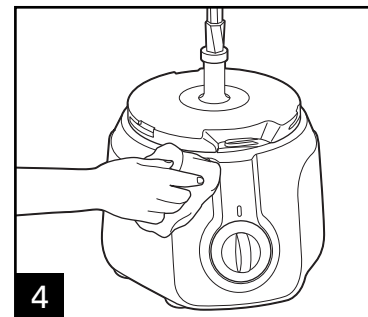
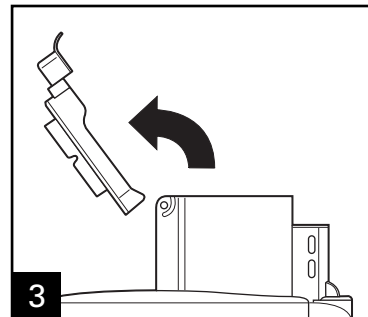
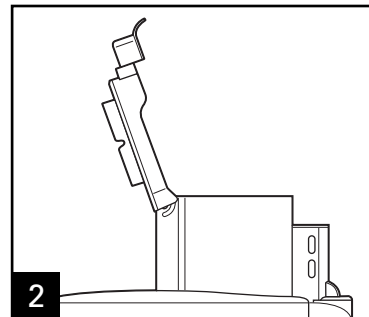
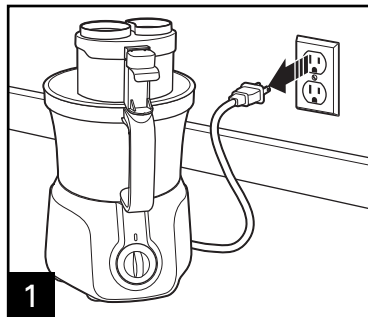
ALIMENT	QUANTITÉ MAXIMALE GRAND BOL	QUANTITÉ MAXIMALE PETIT BOL
Fruits et légumes	0,75 L à 1 L (3 à 4 tasses) (coupés en cubes de 2,5 cm [1 po])	0,38 L à 0,5 L (1,5 à 2 tasses) (coupés en cubes de 2,5 cm [1 po])
Viandes	900 g (2 lb) (coupés en cubes de 2,5 cm [1 po])	450 g (1 lb) (coupés en cubes de 2,5 cm [1 po])
Parmesan ou Romano	425 g (15 oz) (coupés en cubes de 2,5 cm [1 po])	225 g (8 oz) (coupés en cubes de 2,5 cm [1 po])
Craquelins	3,5 L (14 tasses) (remplissage du récipient jusqu'au niveau de l'entonnoir)	1,75 L (7 tasses) (remplissage du récipient jusqu'au niveau de l'entonnoir)
Noix	1 L (4 tasses)	0,5 L (2 tasses)

Nettoyage et entretien

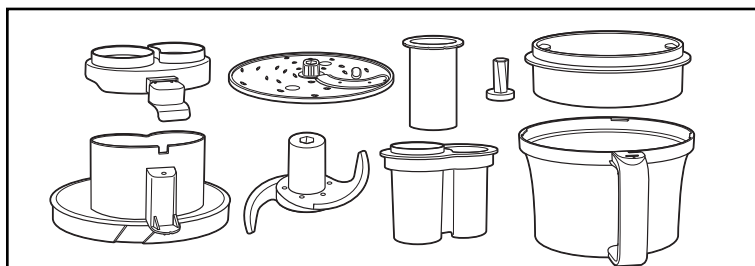
⚠ AVERTISSEMENT

Risque d'électrocution.

Débrancher l'appareil avant le nettoyage. N'immergez pas le cordon, la fiche ou la base dans l'eau.




Essuyer le socle, le bouton de commande et le cordon avec un linge humide ou une éponge. Si nécessaire, utiliser un nettoyant doux et non abrasif.



LAVABLE AU LAVE-VAISSELLE

POUR RANGER LES ÉLÉMENTS : Placer le grand bol sur la base. (Pour un appareil comprenant le petit bol, placer le grand bol sur la base et positionner le petit bol à l'intérieur. Mettre la tige adaptatrice dans le petit bol.) Placer la lame de découpage/du mélangeur et le disque du hachoir/de la râpe sur la tige motorisée. Placer le couvercle sur le(s) bol(s). Pour éviter d'endommager le bol, **NE PAS VERROUILLER.**

Rendez-vous sur www.hamiltonbeach.ca pour notre liste complète de produits et de nos manuels utilisateur – ainsi que nos délicieuses recettes, nos conseils et pour enregistrer votre produit en ligne ! 

Dépannage

PROBLÈME

Les vitesses et le mode d'impulsion de l'appareil ne fonctionnent pas.

Les aliments ne sont pas hachés, tranchés ou râpés uniformément.

L'appareil s'arrête et refuse de fonctionner.

L'appareil dégage une odeur de brûlé.

Le régime du moteur semble faible.

CAUSE POSSIBLE

- L'appareil est-il branché ? La prise fonctionne-t-elle ?
- Est-ce que le récipient, le couvercle ainsi que l'entonnoir sont verrouillés ? Voir le chapitre « Utilisation ».
- Si vous utilisez un petit bol, il se peut que la tige adaptatrice ne soit pas en place et elle doit être fixée sur la tige motorisée pour que la lame en forme de S puisse fonctionner.

- Une trop grande quantité d'aliments dans l'entonnoir ou une trop forte pression sur les poussoirs peut provoquer une transformation irrégulière lors du tranchage ou du râpage.
- La vitesse recommandée pour le disque du hachoir et de la râpe doit être 1 pour les fromages et 1 ou 2 pour les légumes ou les fruits.
- Voir les tableaux de transformation pour les tailles, vitesses et quantités recommandées.

- Est-ce que le récipient, le couvercle ainsi que l'entonnoir sont verrouillés ? Ces éléments peuvent avoir été légèrement déplacés pendant la transformation. Voir le chapitre « Utilisation ».
- Est-ce que la prise est fonctionnelle ? Vérifier son fonctionnement avec une lampe ou un autre appareil. Le circuit a probablement été surchargé et fait sauté un fusible ou déclenché un disjoncteur.
- Mettre l'appareil hors tension (OFF) et attendre de 3 à 4 minutes puis remettre sous tension (ON). Si aucune de ces solutions ne corrige le problème, NE PAS tenter de réparer l'appareil. Appelez la ligne sans frais du Service à la clientèle pour obtenir les coordonnées du centre de service autorisé le plus près de chez vous.

- Un résidu de fabrication peut se trouver sur le moteur et occasionner une légère odeur de brûlé au cours de la première utilisation. Ceci ne se reproduira plus. Si une forte odeur et une fumée se dégagent, débrancher l'appareil et appelez IMMÉDIATEMENT la ligne sans frais du Service à la clientèle.

- Est-ce que le format et la quantité de transformation sont respectés ? Voir les tableaux de transformation pour obtenir les formats d'aliments recommandés et les vitesses.

Garantie limitée

Cette garantie s'applique aux produits achetés aux É.-U. et au Canada. C'est la seule garantie expresse pour ce produit et est en lieu et place de toute autre garantie ou condition.

Ce produit est garanti contre tout défaut de matériaux et de main-d'oeuvre pour une période de un (1) an à compter de la date d'achat d'origine. Au cours de cette période, votre seul recours est la réparation ou le remplacement de ce produit ou tout composant s'avérant défectueux, à notre gré, mais vous êtes responsable de tous les coûts liés à l'expédition du produit et le retour d'un produit ou d'un composant dans le cadre de cette garantie. Si le produit ou un composant n'est plus offert, nous le remplacerons par un produit similaire de valeur égale ou supérieure.

Cette garantie ne couvre pas le verre, les filtres, l'usure d'un usage normal, l'utilisation non conforme aux directives imprimées, ou des dommages au produit résultant d'un accident, modification, utilisation abusive ou incorrecte. Cette garantie s'applique seulement à l'acheteur original ou à la personne l'ayant reçu en cadeau. La présentation du reçu de vente d'origine comme preuve d'achat est nécessaire pour faire une réclamation au titre de cette garantie. Cette garantie ne s'applique pas si le produit est utilisé à d'autres fins qu'une utilisation domiciliaire familiale.

Nous excluons toutes les réclamations au titre de cette garantie pour les dommages spéciaux, consécutifs et indirects causés par la violation de garantie expresse ou implicite. Toute responsabilité est limitée au prix d'achat. **Chaque garantie implicite, y compris toute garantie ou condition de qualité marchande ou d'adéquation à un usage particulier, est exonérée, sauf dans la mesure interdite par la loi, auquel cas la garantie ou condition est limitée à la durée de cette garantie écrite.** Cette garantie vous donne des droits légaux précis. Vous pouvez avoir d'autres droits qui varient selon l'endroit où vous habitez. Certaines provinces ne permettent pas les limitations sur les garanties implicites ou les dommages spéciaux ou indirects de telle sorte que les limitations ci-dessus ne s'appliquent peut-être pas à votre cas.

Ne pas retourner cet appareil au magasin lors d'une réclamation au titre de cette garantie. Téléphoner au 1.800.851.8900 aux É.-U. ou au 1.800.267.2826 au Canada ou visiter le site internet www.hamiltonbeach.com aux É.-U. ou www.hamiltonbeach.ca au Canada. Pour un service plus rapide, trouvez le numéro de modèle, le type d'appareil et les numéros de série sur votre appareil.

SALVAGUARDIAS IMPORTANTES

Cuando use aparatos eléctricos, siempre se deben seguir las precauciones básicas de seguridad incluyendo las siguientes:

1. Lea y guarde todas las instrucciones.
2. Verifique que el voltaje de su instalación corresponda con el del producto.
3. Para protegerse contra riesgos de descarga eléctrica, no sumerja la base, motor, cable o enchufe en agua u otro líquido.
4. Se requiere de una estrecha supervisión cuando el aparato se use cerca de niños.
5. El aparato no debe ser usado por niños.
6. Desconecte el cable de la toma cuando no esté en uso, antes de poner o quitar partes y antes de limpiar.
7. Evite contactar partes móviles.
8. No opere ningún aparato que tenga un cable o enchufe dañado o después de un mal funcionamiento del aparato, o si se cayó o dañó de cualquier manera. Llame a nuestro número gratuito de asistencia al cliente para obtener información o un examen, reparación o ajuste de tipo eléctrico o mecánico.
9. El uso de aditamentos no recomendados o vendidos por el fabricante del aparato, puede causar fuego, descarga eléctrica o lesión.
10. No use su procesador de alimentos si alguna pieza está quebrada.
11. No use el aparato en exteriores.
12. No deje que el cable cuelgue del borde de una mesa o cubierta o toque superficies calientes.
13. Mantenga las manos y utensilios lejos de la cuchilla móvil y del disco mientras se procesa alimento para reducir el riesgo de lesiones personales severas y/o daño al procesador de alimentos. Se puede usar un raspador de plástico SOLAMENTE cuando el procesador de alimento no funcione.
14. La cuchilla y el disco están afilados. Manéjelo con cuidado. Almacene lejos del alcance de los niños.
15. Para reducir el riesgo de lesiones, nunca coloque la cuchilla cortante o disco en la base sin primero poner el tazón adecuadamente en su lugar.
16. Asegúrese de que la tapa esté abrochada de manera segura en su lugar antes de usar el aparato.
17. Nunca meta el alimento en el ducto con la mano. Siempre use los empujadores de alimento.
18. No intente eliminar el mecanismo de entrebloqueo de la tapa.
19. Asegúrese que la cuchilla o disco se hayan detenido completamente antes de remover la tapa.
20. Para reducir el riesgo de una lesión, asegúrese de insertar o remover la cuchilla y disco usando los concentradores provisto para tal propósito. Tenga cuidado cuando remueva la cuchilla y disco del tazón, cuando vacíe el tazón y cuando limpie.
21. Asegúrese de poner el interruptor en posición de APAGADO (O) después de cada uso. Siempre use los empujadores para vaciar el ducto de alimentos. Cuando este método no sea posible, apague el motor y desensamble la unidad para remover el resto del alimento.
22. El aparato no fue hecho para uso comercial, profesional o industrial. Fue diseñado y construido exclusivamente para uso casero solamente.
23. Nunca use el aparato por un periodo más largo o con una cantidad mayor de ingredientes de los recomendados por el fabricante del aparato. Vea la sección "Tablas de Procesamiento".
24. No coloque sobre o cerca de un quemador de gas o eléctrico caliente o en un horno caliente.
25. No use el aparato para otro uso más que para el que fue hecho.

¡GUARDE ESTAS INSTRUCCIONES!

MÁS INFORMACIÓN DE SEGURIDAD PARA EL CONSUMIDOR

Este producto fue hecho para uso en el hogar solamente.

¡ADVERTENCIA! Peligro de Descarga: Este aparato tiene un enchufe polarizado (una clavija ancha) que reduce el riesgo de descarga eléctrica. El enchufe se ajusta sólo de un manera en una toma polarizada. No elimine el propósito de seguridad del enchufe modificando el enchufe de ninguna manera o usando un adaptador. Si el enchufe no entra, invierta el enchufe. Si aún no entra, haga que un eléctrico reemplace la toma.

Para evitar una sobrecarga del circuito eléctrico, no use otro aparato de alto voltaje en el mismo circuito junto con su procesador de alimentos.

La longitud del cable usado para este aparato fue seleccionado para reducir los riesgos de enredarse o tropezarse con un cable más largo. Si se necesita un cable más largo se puede usar una extensión aprobada. La clasificación eléctrica de la cable extensión debe ser igual o mayor que la clasificación del aparato. Se debe de tener cuidado de acomodar el cable extensión no cubra una cubierta o mesa y que pueda ser jalado por un niño o pueda provocar un tropiezo accidental.

Partes y Características

ANTES DE USAR POR PRIMERA VEZ: Desempaque el procesador. Maneje la Cuchilla y el(los) Disco(s) cuidadosamente; están muy afilados. Lave todas las partes excepto la base en agua caliente y jabonosa. Enjuague y luego seque.

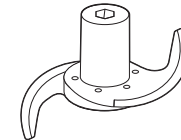
EN MODELOS ESPECIALES O ACCESORIO OPCIONAL



Eje adaptador de cuchilla en S
(sólo para usar con el tazón pequeño)

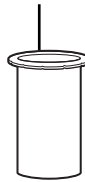


Tazón pequeño
(en modelos especiales)

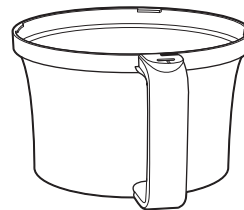
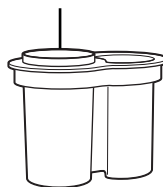


Cuchilla Picadora/Mezcladora
(Pulso o Velocidades 1-3)
Use para cortar, picar, mezclar o hacer puré el alimento.

Empujadores de Alimentos Pequeños

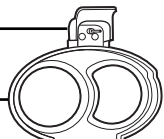


Empujadores de Alimentos Grandes

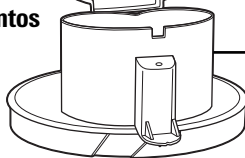


Tazón Grande

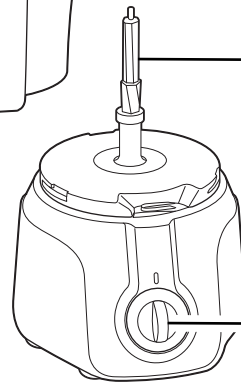
Broche de Tapa de Ducto de Alimentos



Tapa de Ducto de Alimentos

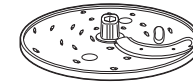


Tapa

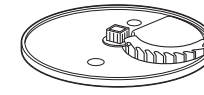


Eje del Motor

Perilla de Control



Disco para Rebanar/Rallador Reversible
(Velocidades 1 o 2)
(sólo para usar con el tazón grande)
Úselo para rallar queso o rebanar o rallar una variedad de alimentos (como papas, peperoni, zanahorias, apio).



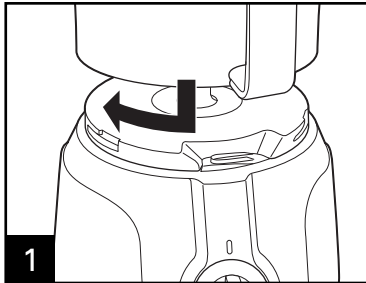
Cuchilla para Papas a la Francesa
(Velocidades 1 o 2) *(en modelos seleccionados o accesorio opcional)*

Para ordenar:
1.800.851.8900 (EE.UU.)
01 800 71 16 100 (México)

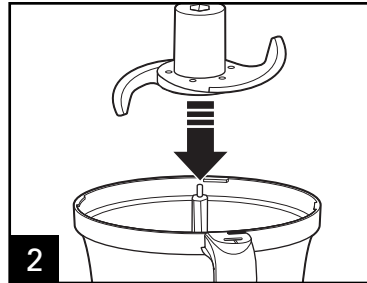
Cómo Usar la Cuchilla Picadora/Mezcladora (con el Tazón Grande) (Pulso o Velocidades 1–3)

⚠ ADVERTENCIA Peligro de Laceración. Maneje la cuchilla cuidadosamente; está muy afilada.

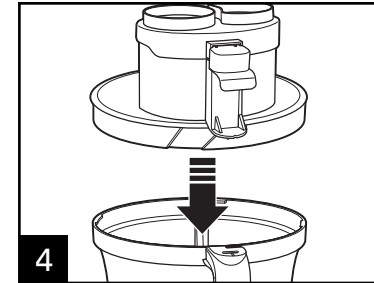
Asegúrese que la perilla de control esté en APAGADO (O) y la unidad esté desconectada. **NOTA:** Use sólo con una cuchilla o disco a la vez.



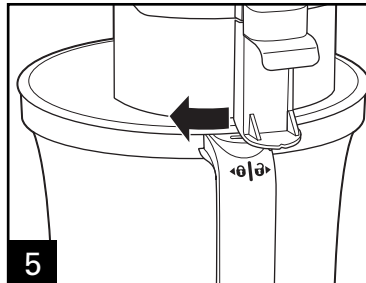
1 Alinee el tazón grande y la base. Gire el tazón grande en el sentido de las agujas del reloj para ajustar en su lugar.
NOTA: La unidad no funcionará a menos que el tazón grande esté ajustado.



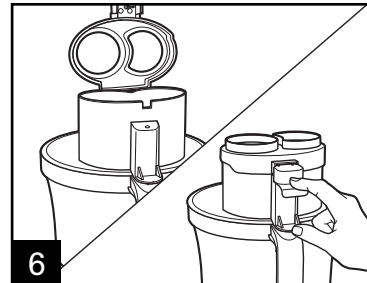
2 Coloque cuidadosamente la cuchilla en el eje del motor.



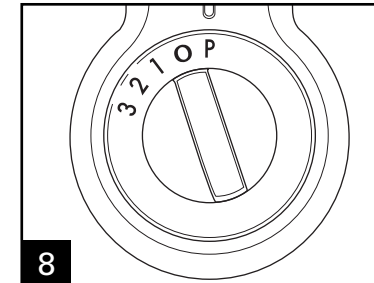
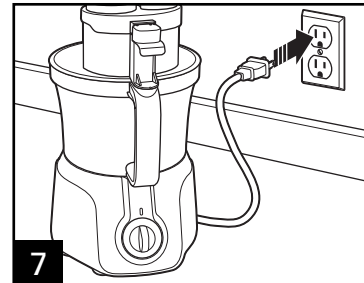
4 Alinee la tapa y el tazón grande.



5 Gire la tapa en el sentido de las agujas del reloj para ajustar en su lugar.
NOTA: La unidad no funcionará a menos que la tapa esté ajustada.

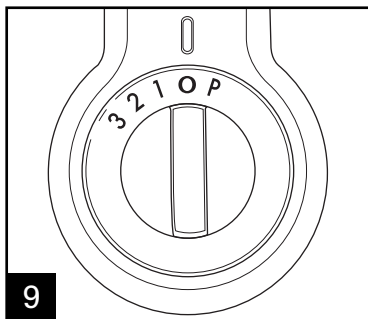


6 Empuje el broche de la tapa para ajustar firmemente. **NOTA:** La unidad no funcionará a menos que el broche esté ajustado.



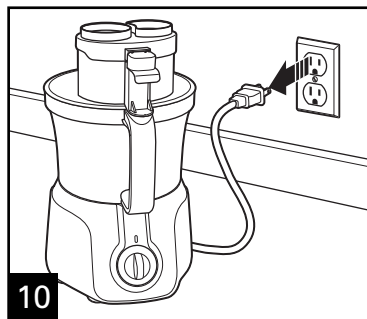
8 Pulso=Más Alto, 3=Alto, 2=Medio, 1=Bajo

Cómo Usar la Cuchilla Picadora/Mezcladora (con el Tazón Grande) (Pulso o Velocidades 1-3) (cont.)



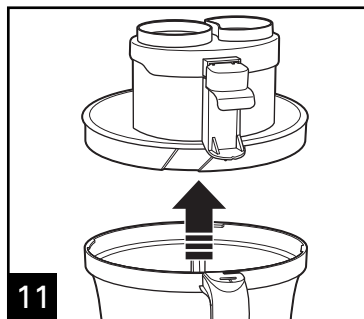
9

Cuando acabe, APÁGUELO.



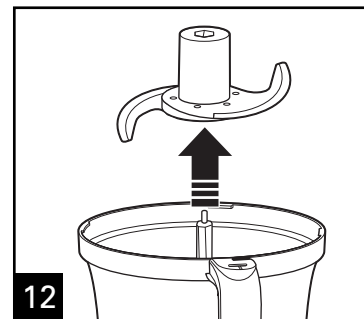
10

¡ADVERTENCIA! Peligro de Laceración:
Siempre espere hasta que la cuchilla se detenga antes de remover la tapa.



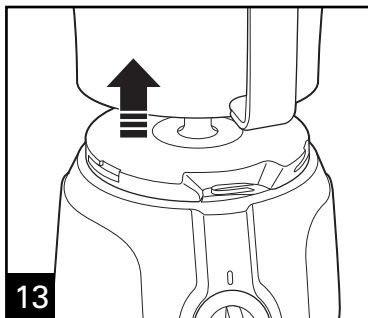
11

Siempre remueva la tapa antes de remover el tazón para evitar posibles daños al aparato.

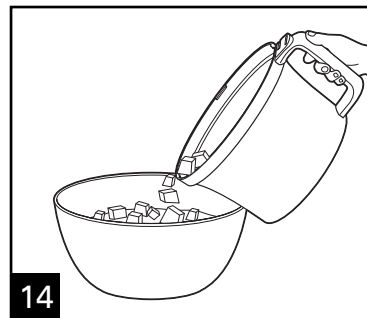


12

Remueva cuidadosamente la cuchilla del eje del motor.



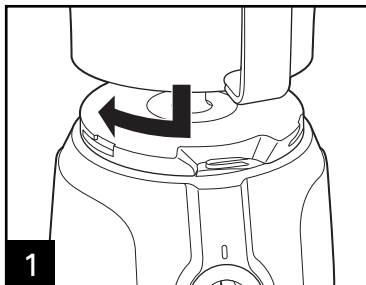
13



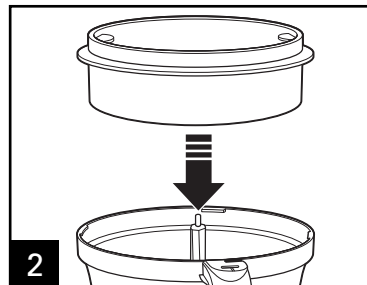
14

Cómo Usar la Cuchilla Picadora/ Mezcladora (con el Tazón Pequeño en modelos especiales) (Pulso o Velocidades 1-3)

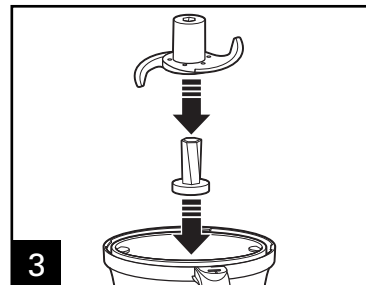
⚠ ADVERTENCIA Peligro de Laceración. Maneje la cuchilla cuidadosamente; está muy afilada. Asegúrese que la perilla de control esté en APAGADO (O) y la unidad esté desconectada. **NOTA:** Use sólo con una cuchilla o disco a la vez.



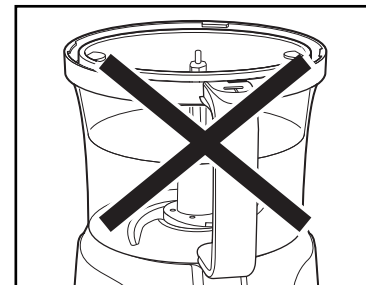
1 Alinee el tazón grande y la base. Gire el tazón grande en el sentido de las agujas del reloj para ajustar en su lugar. **NOTA:** La unidad no funcionará a menos que el tazón grande esté ajustado.



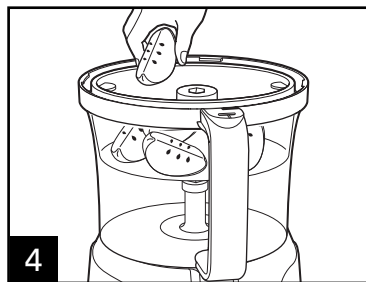
2 Coloque el tazón pequeño sobre el eje del motor y ubíquelo en su lugar (el tazón pequeño no se trabará).



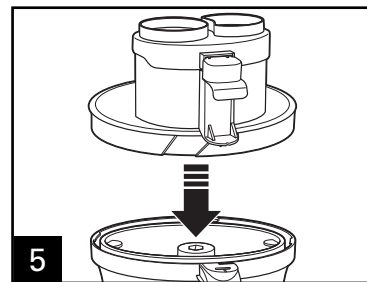
3 Coloque el eje adaptador y luego la cuchilla mezcladora en el eje del motor.



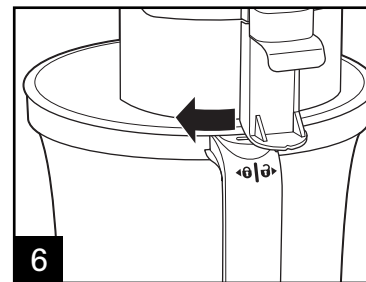
NO use el tazón pequeño con la cuchilla picadora en la posición inferior.



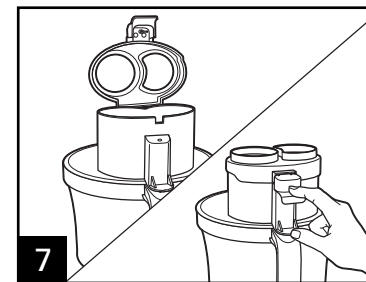
4



5 Alinee la tapa y el tazón grande.



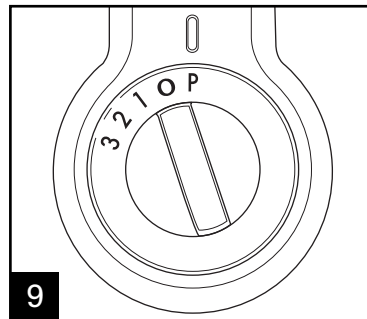
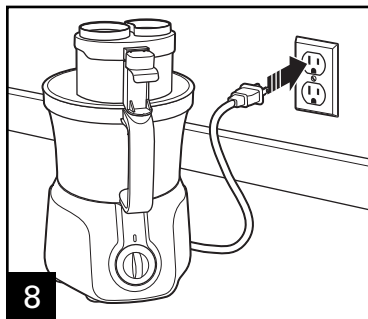
6 Gire la tapa en el sentido de las agujas del reloj para ajustar en su lugar. **NOTA:** La unidad no funcionará a menos que la tapa esté ajustada.



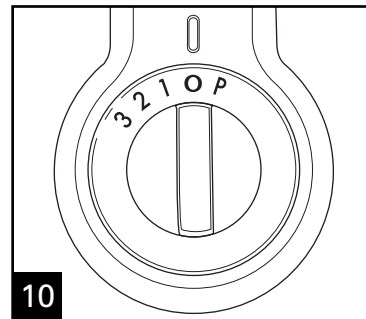
7 Empuje el broche de la tapa para ajustar firmemente. **NOTA:** La unidad no funcionará a menos que el broche esté ajustado.

Cómo Usar la Cuchilla Picadora/Mezcladora

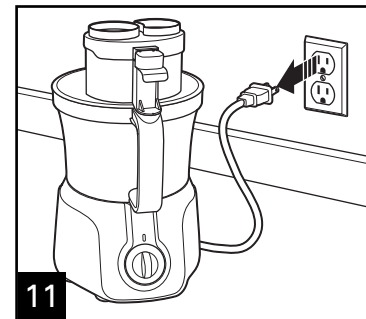
(con el Tazón Pequeño en modelos especiales) (Pulso o Velocidades 1-3) (cont.)



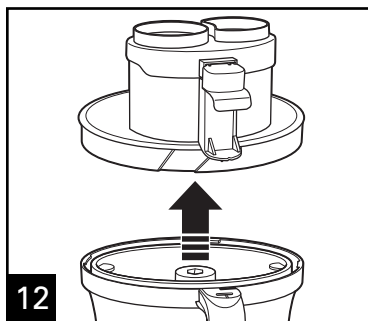
Pulso=Más Alto, 3=Alto, 2=Medio, 1=Bajo



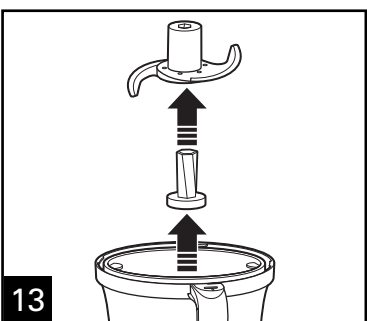
Cuando acabe, APÁGUELO.



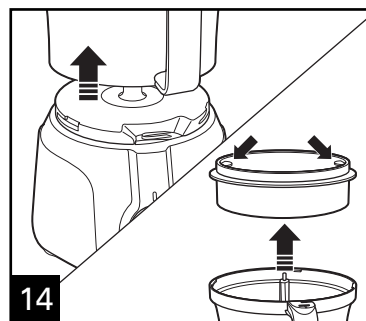
¡ADVERTENCIA! Peligro de Laceración: Siempre espere hasta que la cuchilla se detenga antes de remover la tapa.



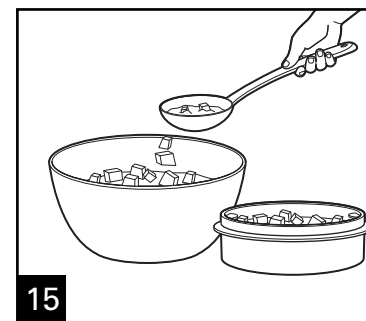
Siempre remueva la tapa antes de remover el tazón pequeño para evitar posibles daños al aparato.



Con cuidado quite la cuchilla mezcladora y el eje adaptador del eje del motor antes de retirar la comida.



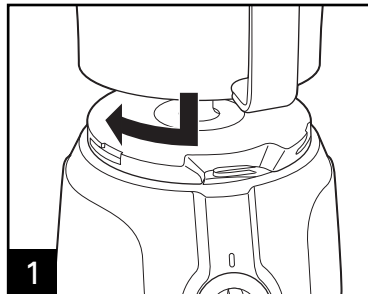
Use las lengüetas del recipiente pequeño para retirar el mismo del recipiente grande.



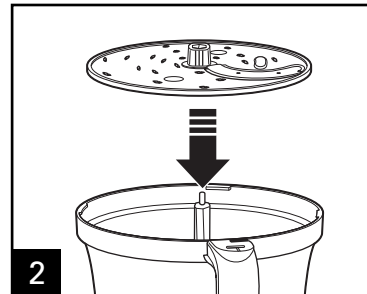
Cómo Usar el Disco para Rebanar/Rallar

(sólo con el Tazón Grande) (Velocidades 1 o 2)

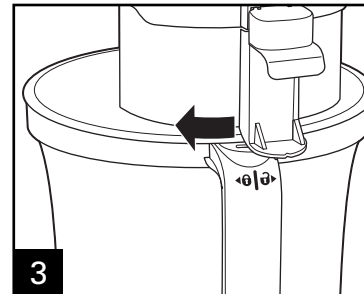
⚠ ADVERTENCIA Peligro de Laceración. Maneje la cuchilla cuidadosamente; está muy afilada. Asegúrese que la perilla de control esté en APAGADO (O) y la unidad esté desconectada. **NOTA:** Use sólo con una cuchilla o disco a la vez.



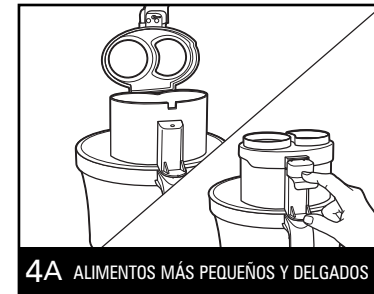
1 Alinee el tazón grande y la base. Gire el tazón grande en el sentido de las agujas del reloj para ajustar en su lugar. **NOTA:** La unidad no funcionará a menos que el tazón grande esté ajustado.



2 Coloque cuidadosamente el disco en el eje del motor con el lado deseado viendo hacia ARRIBA.



3 Alinee la tapa y el tazón grande. Gire la tapa en el sentido de las agujas del reloj para ajustar en su lugar. **NOTA:** La unidad no funcionará a menos que la tapa esté ajustada.



4A ALIMENTOS MÁS PEQUEÑOS Y DELGADOS

Empuje el broche de la tapa para ajustar firmemente. **NOTA:** La unidad no funcionará a menos que el broche esté ajustado.



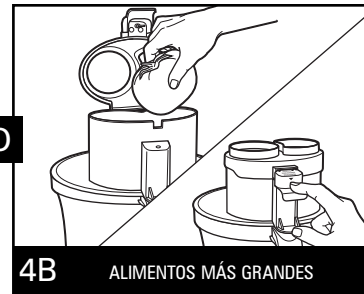
ALIMENTOS MÁS PEQUEÑOS Y DELGADOS

Ponga el empujador para alimento grande en su lugar. Coloque el alimento en el tubo abierto del empujador de alimento grande.



ALIMENTOS MÁS PEQUEÑOS Y DELGADOS

Empuje el alimento con los empujadores de alimentos pequeños. Nunca empuje el alimento por el ducto usando los dedos.



4B ALIMENTOS MÁS GRANDES

Empuje el broche de la tapa para ajustar firmemente. **NOTA:** La unidad no funcionará a menos que el broche esté ajustado.

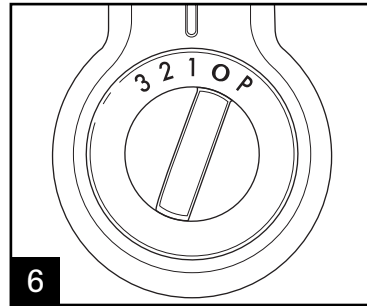
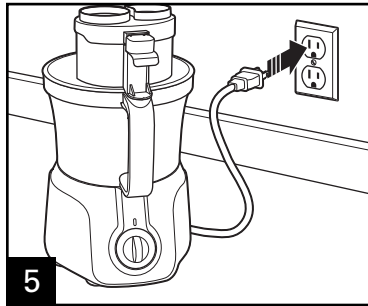


ALIMENTOS MÁS GRANDES

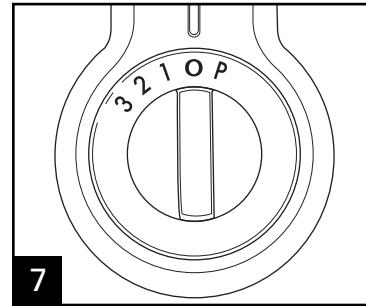
Empuje alimentos grandes utilizan ambos empujadores de alimentos: empujadores grandes y pequeños. Nunca empuje el alimento por el ducto usando los dedos.

Cómo Usar el Disco para Rebanar/Rallar

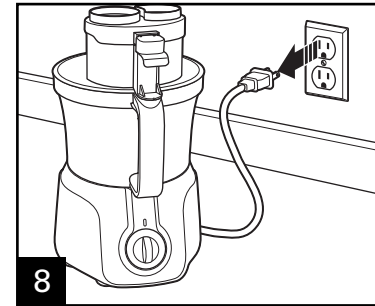
(sólo con el Tazón Grande) (Velocidades 1 o 2) (cont.)



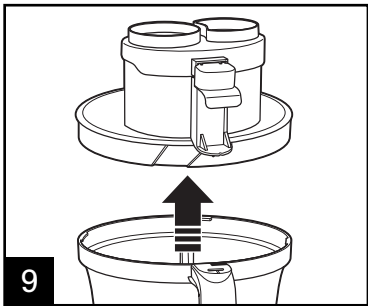
2=Medio, 1=Bajo



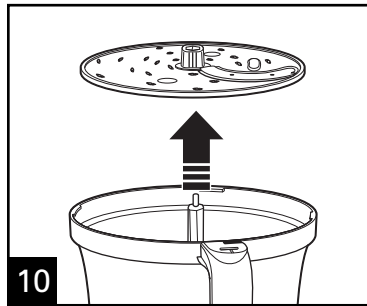
Cuando acabe, APÁGUELO.



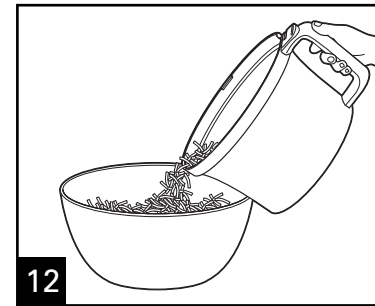
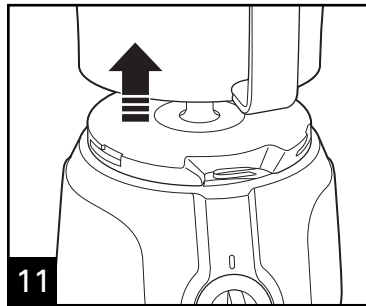
¡ADVERTENCIA! Peligro de Laceración:
Siempre espere hasta que la cuchilla se detenga antes de remover la tapa.



Siempre remueva la tapa antes de remover el tazón para evitar posibles daños al aparato.



Remueva cuidadosamente el disco del eje del motor.



Consejos y Técnicas

- Para una consistencia más uniforme, comience con pedazos de alimento que sean similares en tamaño. Corte el alimento en pedazos de 1 pulgada (2.5 cm) antes de procesarlos con la cuchilla Picadora/Mezcladora.
- Este procesador de alimentos es excelente para cortar, mezclar, rebanar o rallar la mayoría de los alimentos. Sin embargo, para mantener un desempeño al máximo, no use su procesador de alimento para lo siguiente: moler granos, granos de café o especias; rebanar carne congelada; amasar masa; o romper hielo.
- Cuando corte alimentos, empujando poco a poco producirá mejores resultados.
- El tiempo de funcionamiento dependerá de la cantidad de alimento a ser procesada. La mayoría de los alimentos pueden ser rebanados, cortados o rallados en segundos. Si la unidad es usada por 2 minutos continuamente, deje que el procesador descanse por unos 4 minutos antes de continuar.
- No haga puré o masa vegetales almidonados como papas ya que pueden ser fácilmente sobre-procesadas y se pondrá gomosas.
- Para rebanar o rallar queso, seleccione quesos firmes como Cheddar, Monterey Jack o Suizo. Para mejores resultados, procese el queso que esté bien refrigerado.
- El Disco para Rebanar/Rallar Reversible tiene una cuchilla rebanadora en un lado y dientes para deshebrar en el otro y sólo puede usarse con el tazón grande. El nombre grabado en la cuchilla, viendo hacia arriba, es la función seleccionada. Colóquelo en el eje del motor con el borde de corte deseado viendo hacia arriba.
- Para hacer vegetales juliana, rebane luego remueva del tazón y vuelva a acomodar los vegetales. Empaque en ducto de alimento con las rebanadas en vertical. Rebane de nuevo para hacer vegetales de corte fino.

Tablas de Procesamiento

Los aditamentos de disco son reversibles y marcados. Esta marca debe ver hacia arriba para la función deseada. Cuando use aditamentos de disco, no procese más allá del NIVEL MÁX. en el Tazón.

ACCESORIO	ALIMENTOS	VELOCIDAD
Cuchilla Picadora/Mezcladora (corte, pique, mezcle, haga puré)	Vegetales, Fruta, Carne, Nueces, Quesos Duros tales como Parmesano (refrigerado)	Pulso o velocidades 1-3
Disco Rebanador (lado de rebanado viendo hacia ARRIBA)	Vegetales, Fruta	1-2
	Quesos Firme (refrigerado)	1 sólo
Disco Rallador (lado de rallar viendo hacia ARRIBA)	Vegetales	1-2
	Queso (refrigerado)	1 sólo

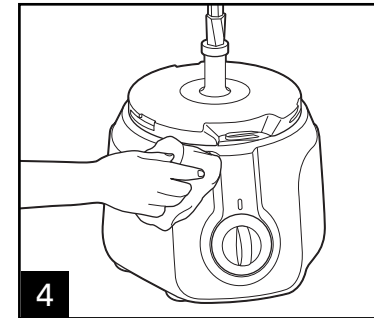
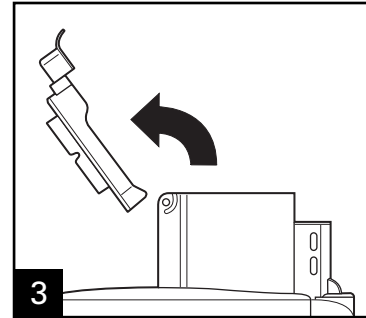
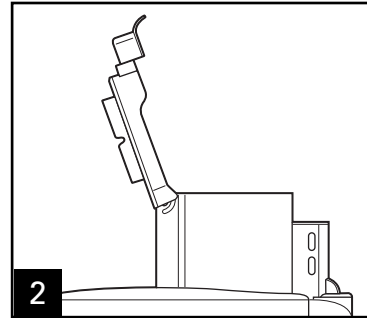
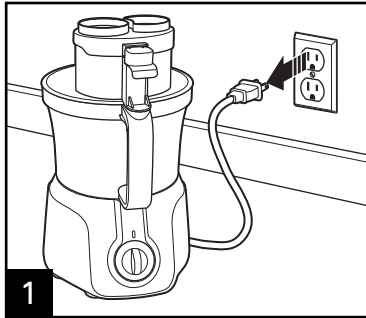
Para mejores resultados no exceda las cantidades siguientes cuando corte, pique, o haga puré con la Cuchilla Cortadora/Mezcladora.

ALIMENTO	CANTIDADES MÁXIMAS TAZÓN GRANDE	CANTIDADES MÁXIMAS TAZÓN PEQUEÑO
Frutas y Vegetales	3 a 4 tazas (.75 L a 1 L) (corte en cubos de 1" [2.5 cm])	1.5 a 2 tazas (.38 L a .5 L) (corte en cubos de 1" [2.5 cm])
Carnes	2 libras (900 g) (corte en cubos de 1" [2.5 cm])	1 libras (450 g) (corte en cubos de 1" [2.5 cm])
Parmesano o Romano	15 onzas (425 g) (corte en cubos de 1" [2.5 cm])	8 onzas (225 g) (corte en cubos de 1" [2.5 cm])
Galletas	14 tazas (3.5 L) (puede llenar el tazón y tapa hasta el ducto)	7 tazas (1.75 L) (puede llenar el tazón y tapa hasta el ducto)
Nueces	4 tazas (1 L)	2 tazas (.5 L)

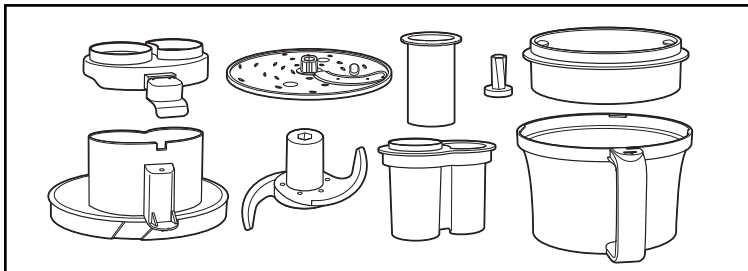
Limpieza y Cuidado

⚠ ADVERTENCIA Peligro de Descarga Eléctrica.

Desconecte la electricidad antes de limpiar. No sumerja el cable, enchufe o base en ningún líquido.



Limpie la base, perilla de control, y cable con un trapo o esponja húmeda. Si fuera necesario, use un limpiador leve no abrasivo.



RESISTENTE AL LAVAVAJILLAS

PARA ALMACENAR: Coloque el tazón grande sobre la base. (Para una unidad que incluye el tazón pequeño, coloque el tazón grande sobre la base y ubique el tazón pequeño en su interior. Coloque el eje adaptador suelto dentro del tazón pequeño). Coloque la cuchilla picadora/mezcladora y el disco rebanador/rallador en el eje del motor. Ponga la tapa sobre los tazones. Para prevenir daños al tazón, **NO LO TRABE.**

38

¡Visite www.hamiltonbeach.com.mx para obtener nuestra línea completa de productos y las Guías de Uso y Cuidado, además de deliciosas recetas, consejos y para registrar su producto en línea!



Resolviendo Problemas

PROBLEMA	PROBABLE CAUSA
La unidad no funciona a ninguna velocidad o Pulso.	<ul style="list-style-type: none"> • ¿Está conectada la unidad? ¿Funciona la toma? • ¿Está el tazón, tapa del tazón y tapa de ducto de alimentos colocados en su lugar? Vea las secciones de Cómo Usar. • Si está utilizando el tazón pequeño, puede faltar el eje adaptador y éste debe colocarse en el eje del motor para que funcione la cuchilla en S.
El alimento no se corta, rebana o deshebra uniformemente.	<ul style="list-style-type: none"> • Meter mucho alimento por el ducto de alimentos, o empujar demasiado duro con los empujadores de alimento puede causar que el alimento procesado será rebanado o deshebrado irregularmente. • La velocidad recomendada para el disco rebanador y rallador debe ser 1 para quesos y 1 o 2 para vegetales o frutas. • Consulte las tablas de procesamiento de alimento por tamaños, velocidades y cantidades recomendadas.
La unidad se detiene y no se vuelve a encender.	<ul style="list-style-type: none"> • ¿Está el tazón, tapa del tazón y tapa de ducto de alimentos colocados en su lugar? Se pueden haber movido un poco durante el procesamiento. Vea la sección de Cómo Usar. • ¿Está aún funcionando la toma? Revísela conectando una lámpara u otro aparato que funcione. Puede que haya sobrecargado el circuito y volado un fusible o botado el interruptor de circuito. • APAGUE la unidad, déjela descansar por 3 a 4 minutos, luego ENCIENDA. Si ninguna de estas sugerencias corrigen el problema, NO intente reparar la unidad. Llame al número de Servicio al Cliente para obtener el nombre de su Centro de Servicio Autorizado más cercano.
La unidad huele a quemado.	<ul style="list-style-type: none"> • Puede haber un residuo del proceso de fabricación aún en el motor, causando un ligero olor durante el uso inicial. Esto desaparecerá. Si aparece un fuerte olor o un humo visible, desconecte la unidad INMEDIATAMENTE y llame al número de Servicio al Cliente.
El motor parece débil.	<ul style="list-style-type: none"> • ¿Está usando el tamaño y cantidad de alimento recomendado a ser procesado? Consulte las Tablas de Procesamiento de Alimento para tamaños de alimento y velocidades recomendados.

Hamilton Beach®

Grupo HB PS, S.A. de C.V.
 Monte Elbruz No. 124 Int. 601
 Col. Palmitas Polanco
 México, D.F. C.P. 11560
 01-800-71-16-100

PÓLIZA DE GARANTÍA

PRODUCTO:	MARCA:	MODELO:
<p>Grupo HB PS, S.A. de C.V. cuenta con una Red de Centros de Servicio Autorizada, por favor consulte en la lista anexa el nombre y dirección de los establecimientos en la República Mexicana en donde usted podrá hacer efectiva la garantía, obtener partes, componentes, consumibles y accesorios; así como también obtener servicio para productos fuera de garantía. Para mayor información llame sin costo: Centro de Atención al consumidor: 01 800 71 16 100</p>		
<p>Grupo HB PS, S.A. de C.V. le otorga a partir de la fecha de compra: GARANTÍA DE 1 AÑO.</p>		
COBERTURA		
<ul style="list-style-type: none"> • Esta garantía ampara, todas las piezas y componentes del producto que resulten con defecto de fabricación incluyendo la mano de obra. • Grupo HB PS, S.A. de C.V. se obliga a reemplazar, reparar o reponer, cualquier pieza o componente defectuoso; proporcionar la mano de obra necesaria para su diagnóstico y reparación, todo lo anterior sin costo adicional para el consumidor. • Esta garantía incluye los gastos de transportación del producto que deriven de su cumplimiento dentro de su red de servicio. 		
LIMITACIONES		
<ul style="list-style-type: none"> • Esta garantía no ampara el reemplazo de piezas deterioradas por uso o por desgaste normal, como son: cuchillas, vasos, jarras, filtros, etc. • Grupo HB PS, S.A. de C.V. no se hace responsable por los accidentes producidos a consecuencia de una instalación eléctrica defectuosa, ausencia de toma de tierra, clavija de enchufe en mal estado, etc. 		
EXCEPCIONES		
<p>Esta garantía no será efectiva en los siguientes casos:</p> <ol style="list-style-type: none"> a) Cuando el producto se hubiese utilizado en condiciones distintas a las normales. (Uso industrial, semi-industrial o comercial.) b) Cuando el producto no hubiese sido operado de acuerdo con el instructivo de uso. c) Cuando el producto hubiese sido alterado o reparado por personas no autorizadas por Grupo HB PS, S.A. de C.V. el fabricante nacional, importador o comercializador responsable respectivo. <p>El consumidor puede solicitar que se haga efectiva la garantía ante la propia casa comercial donde adquirió su producto, siempre y cuando Grupo HB PS, S.A. de C.V. no cuente con talleres de servicio.</p>		

PROCEDIMIENTO PARA HACER EFECTIVA LA GARANTÍA

- Para hacer efectiva la garantía no deben exigirse mayores requisitos que la presentación del producto y la póliza correspondiente, debidamente sellada por el establecimiento que lo vendió.
- Para hacer efectiva la garantía, lleve su aparato al Centro de Servicio Autorizado más cercano a su domicilio (consulte la lista anexa).
- Si no existe Centro de Servicio Autorizado en su localidad llame a nuestro Centro de Atención al Consumidor para recibir instrucciones de como hacer efectiva su garantía.
- El tiempo de reparación, en ningún caso será mayor de 30 días naturales contados a partir de la fecha de recepción del producto en nuestros Centros de Servicio Autorizados.
- En caso de que el producto haya sido reparado o sometido a mantenimiento y el mismo presente deficiencias imputables al autor de la reparación o del mantenimiento dentro de los treinta días naturales posteriores a la entrega del producto al consumidor, éste tendrá derecho a que sea reparado o mantenido de nuevo sin costo alguno. Si el plazo de la garantía es superior a los treinta días naturales, se estará a dicho plazo.
- El tiempo que duren las reparaciones efectuadas al amparo de la garantía no es computable dentro del plazo de la misma. Cuando el bien haya sido reparado se iniciará la garantía respecto de las piezas repuestas y continuará con relación al resto. En el caso de reposición del bien deberá renovarse el plazo de la garantía.

DÍA__ MES__ AÑO__

Si desea hacer comentarios o sugerencias con respecto a nuestro servicio o tiene alguna queja derivada de la atención recibida en alguno de nuestros Centros de Servicio Autorizados, por favor dirigirse a:

GERENCIA INTERNACIONAL DE SERVICIO

01 800 71 16 100 • Email: mexico.service@hamiltonbeach.com.mx

RED DE CENTROS DE SERVICIO AUTORIZADA GRUPO HB PS, S.A. DE C.V.**Distrito Federal**

ELECTRODOMÉSTICOS
Av. Plutarco Elías Calles No. 1499
Zacahuitzco MEXICO 09490 D.F.
Tel: 01 55 5235 2323 • Fax: 01 55 5243 1397

CASA GARCIA
Av. Patriotismo No. 875-B
Mixcoac MEXICO 03910 D.F.
Tel: 01 55 5563 8723 • Fax: 01 55 5615 1856

Nuevo Leon

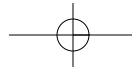
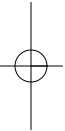
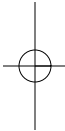
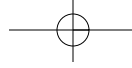
FERNANDO SEPULVEDA REFACCIONES
Ruperto Martínez No. 238 Ote.
Centro MONTERREY, 64000 N.L.
Tel: 01 81 8343 6700 • Fax: 01 81 8344 0486

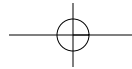
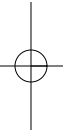
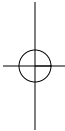
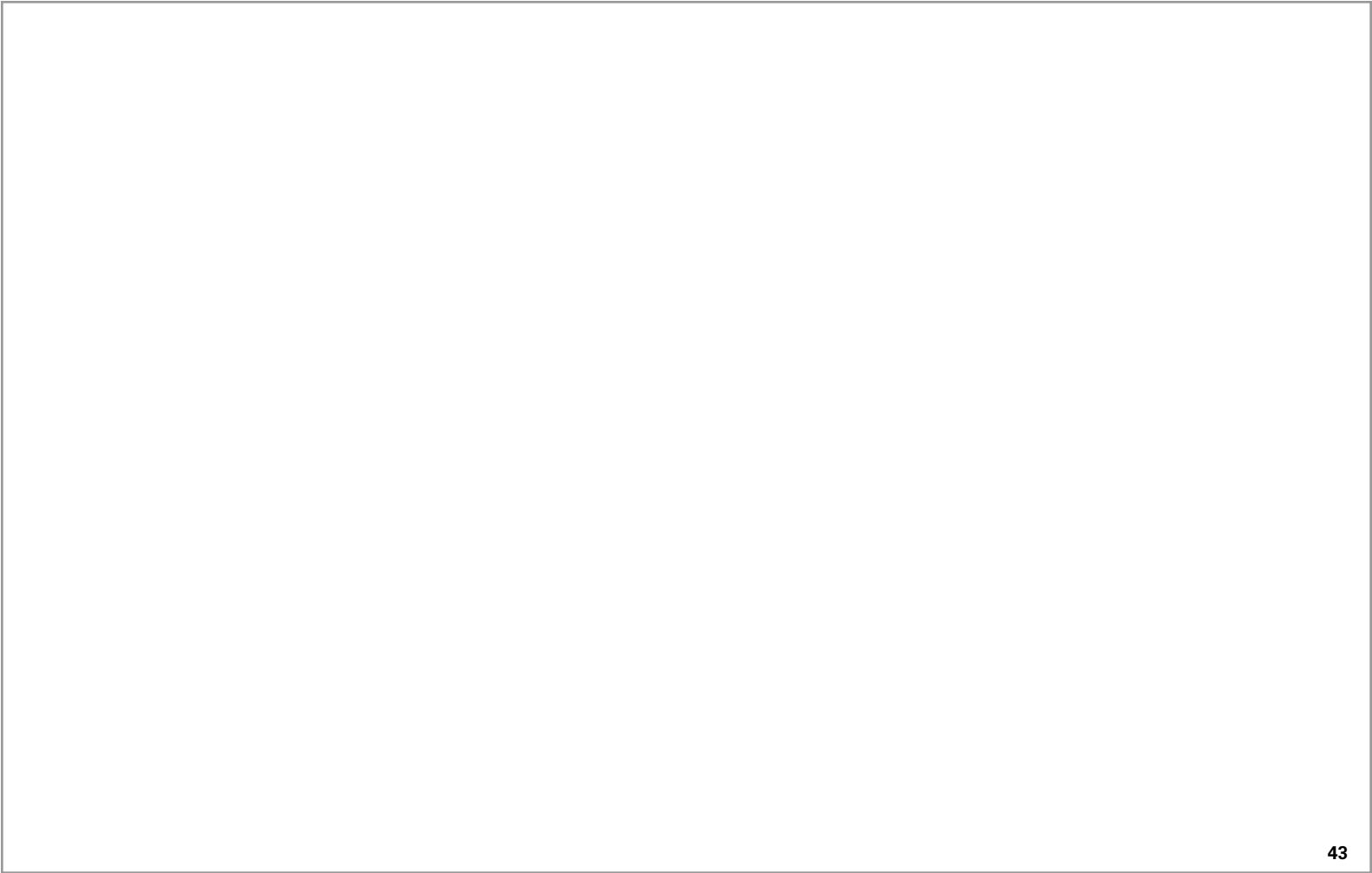
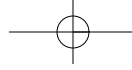
Jalisco

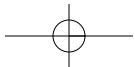
SERVICIOS DE MANTENIMIENTO CASTILLO
Garibaldi No. 1450
Ladrón de Guevara
GUADALAJARA 44660 Jal.
Tel: 01 33 3825 3480 • Fax: 01 33 3826 1914

Chihuahua

DISTRIBUIDORA TURMIX
Av. Paseo Triunfo de la Rep. No. 5289 Local 2 A.
Int. Hipermart
Alamos de San Lorenzo
CD. JUAREZ 32340 Chih.
Tel: 01 656 617 8030 • Fax: 01 656 617 8030







Modelos:

70570
70570C
70573
70575
70579

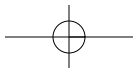
Tipo:

FP17
FP17
FP17
FP17
FP17

Características Eléctricas:

120V~ 60Hz 500W
120V~ 60Hz 500W
120V~ 60Hz 500W
120V~ 60Hz 525W
120V~ 60Hz 525W

Los modelos incluidos en el instructivo de Uso y Cuidado pueden ir seguidos o no por un sufijo correspondiente a una o varias letras del alfabeto y sus combinaciones, separadas o no por un espacio, coma, diagonal, o guión. Como ejemplos los sufijos pueden ser: "Y" y/o "MX" y/o "MXY" y/o "Z".



Free Manuals Download Website

<http://myh66.com>

<http://usermanuals.us>

<http://www.somanuals.com>

<http://www.4manuals.cc>

<http://www.manual-lib.com>

<http://www.404manual.com>

<http://www.luxmanual.com>

<http://aubethermostatmanual.com>

Golf course search by state

<http://golfingnear.com>

Email search by domain

<http://emailbydomain.com>

Auto manuals search

<http://auto.somanuals.com>

TV manuals search

<http://tv.somanuals.com>