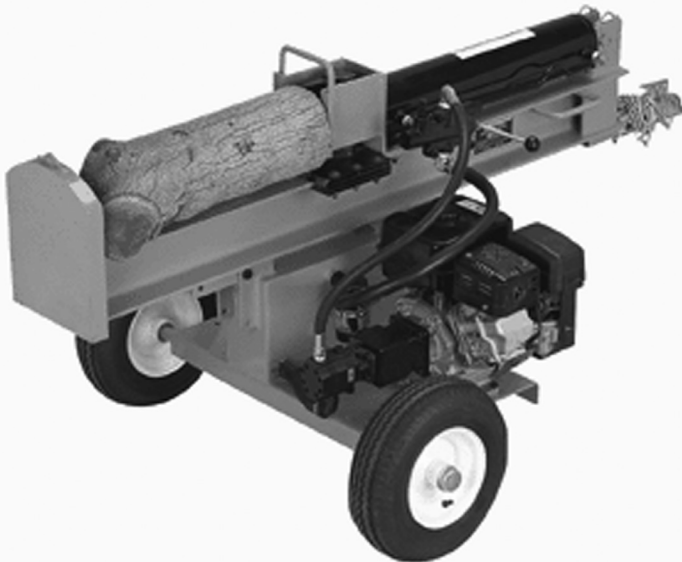




24 TON LOG SPLITTER

Model 65076

SET UP, OPERATING, AND SERVICING INSTRUCTIONS



WARNING! **IMPORTANT INFORMATION**

The Hitch Coupler **MUST** be properly secured to the hitch ball of the towing vehicle. After assembly and attachment, pull up and down on the Hitch Coupler to make sure the hitch ball is fitting snugly in the Hitch Coupler. **There must be no play between the hitch ball and Hitch Coupler.** If there is play, tighten the Adjustment Nut until no play is present. If the Adjustment Nut is too tight, the Handle will not lock. **Carefully read and follow the complete instructions in this manual BEFORE setup or use.**

If the Coupler is not secured properly, the ball could come loose while the Log Splitter is in motion, possibly causing property damage, SERIOUS PERSONAL INJURY, or DEATH.

Distributed exclusively by Harbor Freight Tools®.

3491 Mission Oaks Blvd., Camarillo, CA 93011

Visit our website at: <http://www.harborfreight.com>



**Read this material before using this product.
Failure to do so can result in serious injury.
SAVE THIS MANUAL.**

Copyright© 2008 by Harbor Freight Tools®. All rights reserved. No portion of this manual or any artwork contained herein may be reproduced in any shape or form without the express written consent of Harbor Freight Tools. Diagrams within this manual may not be drawn proportionally. Due to continuing improvements, actual product may differ slightly from the product described herein. Tools required for assembly and service may not be included.

For technical questions or replacement parts, please call 1-800-444-3353.

CONTENTS

IMPORTANT SAFETY INFORMATION	3
BASIC SPECIFICATIONS	7
UNPACKING	7
SET UP INSTRUCTIONS.....	7
ASSEMBLY.....	7
PACKING THE BEARINGS.	7
HUB AND WHEEL ASSEMBLY	8
CONNECTING THE RAIL ASSEMBLY (2) TO THE OIL TANK ASSEMBLY (10B).....	8
TRANSPORTATION.....	8
OPERATING INSTRUCTIONS	10
ENGINE OPERATION	10
START PROCEDURE	10
EQUIPMENT OPERATION.....	10
SERVICING.....	12
MAINTENANCE PROCEDURES	12
ENGINE MAINTENANCE AND SERVICE	12
EQUIPMENT LUBRICATION.....	12
STORAGE	12
TRANSPORTATION	12
HYDRAULIC SYSTEM CARE	13
PARTS LIST	14
ASSEMBLY DIAGRAM.....	15
HYDRAULIC RAM SEALS	16
HYDRAULICS DRAWING.....	17
LIMITED 1 YEAR / 90 DAY WARRANTY	18

SAVE THIS MANUAL

Keep this manual for the safety warnings and precautions, assembly, operating, inspection, maintenance and cleaning procedures. Write the product's serial number in the back of the manual near the assembly diagram (or month and year of purchase if product has no number). Keep this manual and the receipt in a safe and dry place for future reference.

IMPORTANT SAFETY INFORMATION

In this manual, on the labeling, and all other information provided with this product:



This is the safety alert symbol. It is used to alert you to potential personal injury hazards. Obey all safety messages that follow this symbol to avoid possible injury or death.

DANGER

DANGER indicates a hazardous situation which, if not avoided, will result in death or serious injury.

WARNING

WARNING indicates a hazardous situation which, if not avoided, could result in death or serious injury.

CAUTION

CAUTION, used with the safety alert symbol, indicates a hazardous situation which, if not avoided, could result in minor or moderate injury.

NOTICE

NOTICE is used to address practices not related to personal injury.

CAUTION

CAUTION, without the safety alert symbol, is used to address practices not related to personal injury.



WARNING! Read all instructions. Failure to follow all instructions listed below may result in fire, serious injury and/or DEATH.

The warnings and precautions discussed in this manual cannot cover all possible conditions and situations that may occur. It must be understood by the operator that common sense and caution are factors which cannot be built into this product, but must be supplied by the operator.

SAVE THESE INSTRUCTIONS

SET UP PRECAUTIONS

1. Gasoline fuel and fumes are flammable, and potentially explosive. Use proper fuel storage and handling procedures. Do not store fuel or other flammable materials nearby.
2. Have multiple ABC class fire extinguishers nearby.
3. Operation of this equipment may create sparks that can start fires around dry vegetation. A spark arrestor may be required. The operator should contact local fire agencies for laws or regulations relating to fire prevention requirements.
4. Set up and use only on a flat, level, well-ventilated surface.

5. Wear ANSI-approved safety goggles, heavy-duty work gloves, and dust mask/respirator during set up.
6. Use only lubricants and fuel recommended in the engine manual or in the Specifications chart of this manual.

ENGINE PRECAUTIONS

Follow engine precautions and instructions in the included engine instruction manual.

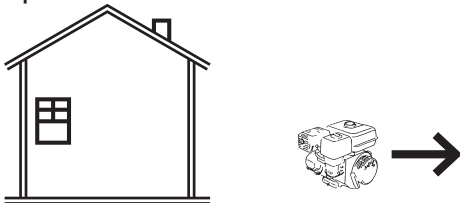
OPERATING PRECAUTIONS

1.  **CARBON MONOXIDE HAZARD**
Using an engine indoors **CAN KILL YOU IN MINUTES.**

Engine exhaust contains carbon monoxide. This is a poison you cannot see or smell.



NEVER use inside a home or garage, EVEN IF doors and windows are open.



Only use OUTSIDE and far away from windows, doors, and vents.

2. Keep children away from the equipment, especially while it is operating.

3. Do not leave the equipment unattended when it is running. Turn off the equipment (and remove safety keys, if available) before leaving the work area.
4. Wear ANSI-approved safety glasses, hearing protection, and NIOSH-approved dust mask/respirator under a full face shield during use.
5. People with pacemakers should consult their physician(s) before use. Electromagnetic fields in close proximity to a heart pacemaker could cause pacemaker interference or pacemaker failure. Caution is necessary when near the engine's magneto or recoil starter.
6. Use only accessories that are recommended by Harbor Freight Tools for your model. Accessories that may be suitable for one piece of equipment may become hazardous when used on another piece of equipment.
7. Operate the Log Splitter, with the wheels blocked, on a dry, level surface capable of supporting the combined weight of the Log Splitter and logs.
8. Do not tow the Log Splitter on roads or highways. This product is not D.O.T. compliant, and is not road legal.
9. Always make sure the hitch coupler is securely fixed to the vehicle before moving it. If the Coupler is not secured properly, the link could come loose while the trailer is in motion, possibly causing property damage, **SERIOUS PERSONAL INJURY, or DEATH.**

10. Never split a log that contains any foreign materials (nails, for example).
11. Never place your hands or body near a hydraulic fluid leak. High-pressure fluid can be forced under the skin resulting in serious injury.
12. Do not use on logs longer than 25" or with a diameter greater than 8".
13. Wear ANSI-approved safety goggles, heavy-duty work gloves, steel-toe work boots and hearing protection during use.
14. Do not operate in explosive atmospheres, such as in the presence of flammable liquids, gases, or dust. Gasoline-powered engines may ignite the dust or fumes.
15. Stay alert, watch what you are doing and use common sense when operating this piece of equipment. Do not use this piece of equipment while tired or under the influence of drugs, alcohol or medication.
16. Do not overreach. Keep proper footing and balance at all times. This enables better control of the equipment in unexpected situations.
17. Dress properly. Do not wear loose clothing or jewelry. Keep hair, clothing and gloves away from moving parts. Loose clothes, jewelry or long hair can be caught in moving parts.
18. Parts, especially exhaust system components, get very hot during use. Stay clear of hot parts.
19. Do not cover the engine or equipment during operation.
20. Keep the equipment, engine, and surrounding area clean at all times.
21. Use the equipment, accessories, etc., in accordance with these instructions and in the manner intended for the particular type of equipment, taking into account the working conditions and the work to be performed. Use of the equipment for operations different from those intended could result in a hazardous situation.
22. Do not operate the equipment with known leaks in the engine's fuel system.
23. This product contains or, when used, produces a chemical known to the State of California to cause cancer and birth defects or other reproductive harm. (California Health & Safety Code § 25249.5, *et seq.*)
24. When spills of fuel or oil occur, they must be cleaned up immediately. Dispose of fluids and cleaning materials as per any local, state, or federal codes and regulations. Store oil rags in a bottom-ventilated, covered, metal container.
25. Keep hands and feet away from moving parts. Do not reach over or across equipment while operating.
26. Before use, check for misalignment or binding of moving parts, breakage of parts, and any other condition that may affect the equipment's operation. **If damaged, have the equipment serviced before using.** Many accidents are caused by poorly maintained equipment.
27. Use the correct equipment for the application. Do not modify the equipment and do not use the equipment for a purpose for which it is not intended.

SERVICE PRECAUTIONS

1. **Before service, maintenance, or cleaning:**
 - a. **Turn the engine switch to its “OFF” position.**
 - b. **Allow the engine to completely cool.**
 - c. **Then, remove the spark plug wire(s) from the spark plug(s).**
2. Keep all safety guards in place and in proper working order. Safety guards include muffler, air cleaner, mechanical guards, and heat shields, among other guards.
3. **Do not alter or adjust any part of the equipment or its engine that is sealed by the manufacturer or distributor. Only a qualified service technician may adjust parts that may increase or decrease governed engine speed.**
4. Wear ANSI-approved safety goggles, heavy-duty work gloves, and dust mask/respirator during service.
5. Maintain labels and nameplates on the equipment. These carry important information. If unreadable or missing, contact Harbor Freight Tools for a replacement.
6. Have the equipment serviced by a qualified repair person using only identical replacement parts. This will ensure that the safety of the equipment is maintained. Do not attempt any service or maintenance procedures not explained in this manual or any procedures that you are uncertain about your ability to perform safely or correctly.
7. Store equipment out of the reach of children.
8. Follow scheduled engine and equipment maintenance.
9. Refueling:
 - a. Do not smoke, or allow sparks, flames, or other sources of ignition around the equipment, especially when refuelling.
 - b. Do not refill the fuel tank while the engine is running or hot.
 - c. Do not fill fuel tank to the top. Leave a little room for the fuel to expand as needed.
 - d. Refuel in a well-ventilated area only.



SAVE THESE INSTRUCTIONS.

BASIC SPECIFICATIONS

Fuel	Type	89+ octane unleaded gasoline
	Capacity	1 Gallon
Equipment Lubricant	Type	5W30 (above 32° F) 10W30 (at 32° F or below)
	Capacity	1.1 Quarts
Hydraulic Fluid		2.5 Gallons
Rotation <small>viewed from PTO (power takeoff - the output shaft)</small>		Counterclockwise
Maximum Log Size		25" Long x 8" Diameter
Tire Air Pressure		60 PSI (cold)

Note: Engine specifications are found in the engine manual supplied with this equipment.

UNPACKING

When unpacking, make sure that the item is intact and undamaged. If any parts are missing or broken, please call Harbor Freight Tools at the number shown on the cover of this manual as soon as possible.

SET UP INSTRUCTIONS



Read the **ENTIRE IMPORTANT SAFETY INFORMATION** section at the beginning of this manual including all text under subheadings therein before set up or use of this product.

⚠️ WARNING

TO PREVENT SERIOUS INJURY

FROM ACCIDENTAL STARTING:
Turn the Power Switch of the equipment to its "OFF" position, wait for the engine to cool, and disconnect the spark plug wire(s) before assembling or making any adjustments to the equipment.

⚠️ WARNING

TO PREVENT SERIOUS INJURY:

Operate only with proper spark arrestor installed.

Operation of this equipment may create sparks that can start fires around dry vegetation.

A spark arrestor may be required.

The operator should contact local fire agencies for laws or regulations relating to fire prevention requirements.

Note: For additional information regarding the parts listed in the following pages, refer to the Assembly Diagram near the end of this manual.

Assembly

1. Due to the size and weight of the Log Splitter, assembly should be performed with assistance.
2. Access the Tires (48) for the following maintenance and assembly steps.

Packing the bearings.

3. Using a suitable solvent, clean the bearings and the rest of the parts in the Hub assembly. The parts must be

- cleaned even if they are new or appear clean.
4. Allow all pieces to dry completely.
 5. Place fresh, clean bearing grease in the packer.
 6. With the grease-filled bearing packer in one hand and the bearing in the other, press the bearing into the grease, forcing the grease inside the slots in the bearing, continue doing this until every slot in the bearing is completely full of grease.

Hub and Wheel Assembly

7. Put a Seal (59) and Bearing (49) on the Axle and then put the Tire on the Axle.
8. With each Tire in place, add a Washer (50) and a Spindle Nut (51) onto the ends of the Axles. Tighten the Spindle Nuts to 20-25 ft. pounds and turn each tire several times to seat the bearing. Back off the Spindle Nut one half turn. Insert a Cotter Pin (25) through both the Axle and the Spindle Nut and bend the end of the Pin back to hold it in place. Last, tap on a Wheel Cap (61).

Connecting the Rail Assembly (2) to the Oil Tank Assembly (10B)

9. Insert the Front Leg Assembly (11) into the bracket on the Oil Tank Assembly (10B). Insert the remaining Hex Bolt (16) through the hole in the middle of the bracket of the Oil Tank Assembly (10B). Secure it with a Hex Nut (17). Refer to the Hex Nut (17) attached to the Hex Bolt (16) at the top of the Front Leg Assembly (11) in FIGURE 1.

10. When moving the Log Splitter, remove the Push Pin (26) and Hair Pin Clip (29) and lift the Front Leg Assembly up so that it is parallel to the Rail Assembly (2). Then, replace the Push Pin and Hair Pin Clip into the Horizontal Transport Hole shown just above the Oil Plug (37), in FIGURES 1 and 2.
11. To connect the Rail Assembly to the Oil Tank Assembly (10B), insert a Hex Bolt (16) into the middle hole of the "L" shaped bracket on the Oil Tank Assembly. Secure it with a Hex Nut (17). Refer to the Hex Nut (17) attached to the Hex Bolt (16) just above the tire in FIGURE 1. Insert the Push Pin (26) through the hole, as shown in FIGURE 3.
12. In FIGURES 1 and 2, the Rail Assembly (2) is shown in Horizontal mode for operation and travel (as mentioned above, the Front Leg Assembly must be secured up in the horizontal position when travelling)

Transportation

13. **DO NOT TRANSPORT THE LOG SPLITTER ON PUBLIC ROADS.** The Log Splitter is not certified by the D.O.T. for use on Public roads.
14. When transporting the Log Splitter, make sure the hitch (not included) is compatible with the Hitch Coupler (9). Follow all of the safety warnings for towing in the vehicle manufacturer's manual. Always use the Safety Chain with Hook (4) during towing. Do not tow the Log Splitter at speeds above 45 MPH. As mentioned in step 10, travel with the Front Leg Assembly (11) in the horizontal position. The

FIGURE 1

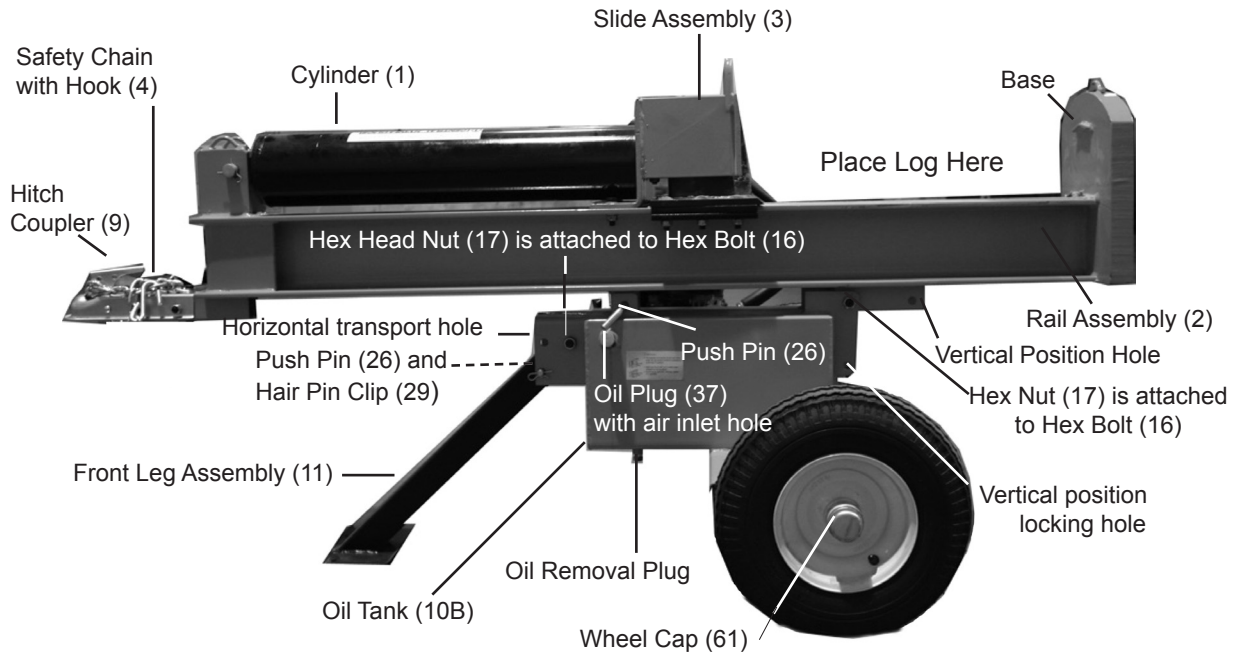


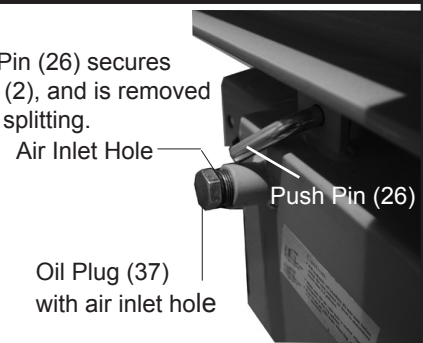
FIGURE 2



Close-up of Push Pin (26) securing the Front Leg Assembly (11) to the bracket on the Oil Tank Assembly (10B).

FIGURE 3

Second Push Pin (26) secures Rail Assembly (2), and is removed for vertical log splitting.



Rail Assembly must always be secured in the horizontal position for travel. Cover the air inlet hole on the Oil Plug (37) before transport. See FIGURE 3.

15. Pull up and down on the Hitch Coupler to make sure the hitch ball is fitting snugly in the Hitch Coupler. There should be no play between the hitch ball and Hitch Coupler. If there is play, tighten the Adjustment Nut until no play is present. If the Adjustment Nut is too tight, the Handle will not lock.

Note: The hitch will accept a 2 inch hitch ball.

OPERATING INSTRUCTIONS



Read the **ENTIRE IMPORTANT SAFETY INFORMATION** section at the beginning of this manual including all text under subheadings therein before set up or use of this product.

Engine Operation



Inspect engine and equipment looking for damaged, loose, and missing parts before set up and starting. If any problems are found, do not use equipment until fixed properly.

Start Procedure



Before starting the engine:

- a. **Follow the Set Up Instructions to prepare the equipment. Follow all instructions in the separate engine manual provided with the engine.**

- b. **Inspect the equipment and engine.**
- c. **Fill the engine with the proper amount and type of fuel and oil.**
- d. **Read the Equipment Operation section that follows.**

1. Start and operate the engine according to the provided engine manual.

Equipment Operation

1. Start and operate the engine according to the provided engine manual.
2. Block the wheels before changing the position (vertical/horizontal) of the unit.

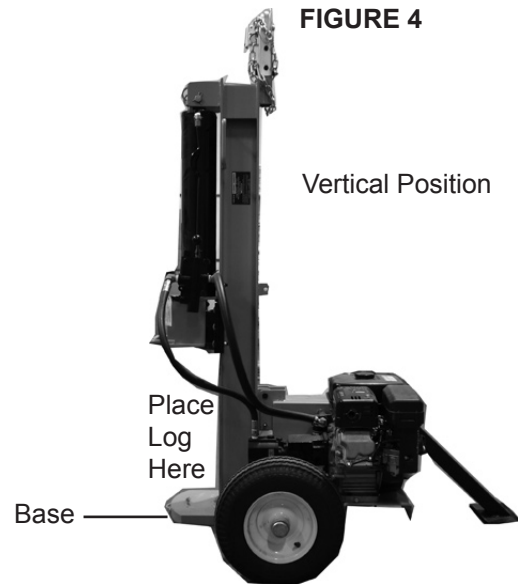


FIGURE 4

3. In FIGURE 1, the Rail Assembly (2) is shown in Horizontal mode for operation and travel. In FIGURE 4 the unit is shown in the vertical position. To change positions, remove the Hair Pin Clip (29) and the Push Pin (26). A close-up of this Push Pin is shown in FIGURE 3. Tilt the unit to the vertical position as shown in FIGURE 4, and replace both the Push Pin and the

- Hair Pin Clip into the vertical position hole (See FIGURE 1). Reverse the process to return to the horizontal position.
4. Remove the Oil Plug (37) and fill the tank with Hydraulic oil (not included). To check the oil level remove the Dipstick (62), check the level then replace it. The oil should be at the upper notch of the Dipstick. Be sure that a constant hydraulic oil level of 2.5 gallons is maintained.
 5. The hydraulic system must be vented during operation or it may become vacuum locked and stop working properly. To vent the system, open the air inlet hole (See FIGURE 3) by loosening the Oil Plug. You may have to move the O-ring to expose the air inlet vent. When the Log Splitter is not in operation or being transported, close the air inlet hole by tightening the Oil Plug (37).
 6. The maximum length of each log can not exceed 25 inches or a diameter of 8 inches.
 7. Place the log on the Splitter Base as shown in FIGURES 1 and 4. Make sure the wedge on the Slide Assembly is facing the log. (See FIGURE 1).
 8. Grip the Directional Valve (58) and move it into the lower position to split the log.
 9. To back the wedge off the log, move the Directional Valve away from the log just split.
 10. Once the log is split, remove the pieces. Continue, as explained above, until all logs are split.
 11. To prevent accidents, turn off the engine and disconnect its spark plug wire after use. Wait for the engine to cool, clean external parts with clean cloth, then store the equipment out of children's reach according to the Storage instructions in this manual.

SERVICING

WARNING TO PREVENT SERIOUS INJURY

FROM ACCIDENTAL STARTING:

Turn the Power Switch of the equipment to its "OFF" position, wait for the engine to cool, and disconnect the spark plug wire(s) before performing any inspection, maintenance, or cleaning procedures.

WARNING TO PREVENT SERIOUS INJURY

FROM EQUIPMENT FAILURE:

Do not use damaged equipment. If abnormal noise, vibration, or excess smoking occurs, have the problem corrected before further use.

Maintenance Procedures



Many maintenance procedures, including those not detailed in this manual, will need to be performed by a qualified technician for safety. If you have any doubts about your ability to safely service the equipment or engine, have a qualified technician service the equipment instead.

Note: These procedures are in addition to the regular checks and maintenance explained as part of the regular operation of the engine and equipment.

Engine Maintenance and Service

Follow the instructions found in the included engine manual.

Equipment Lubrication

1. Gear Box is shipped properly filled with grease.
2. Yearly, open the Gear Box and check the grease level.
3. Add grease only up to top of gears. **Do not overfill grease; overfilling will damage the equipment.**

Storage

1. Wait for engine to cool, then clean equipment with clean cloth.
2. Clean the engine and/or prepare it for storage according to engine manual instructions.
3. Apply a thin coat of rust preventive oil to all uncoated metal parts.
4. Cover and store in a dry, well-ventilated area out of reach of children.
5. For cold weather operation, store the equipment in a cool dry area to prevent condensation and premature wear.

Transportation

1. **BEFORE** Transporting, check the Tires for wear and proper inflation (60 PSI, cold).
2. Before Transporting and at 500 MILE intervals during every trip, check and tighten the Tire Lug Nuts. Torque from 85 to 90 ft-lb.
3. **EVERY 2,000 TO 3,000 MILES** of Travel, lubricate the Hub Assemblies with a heavy weight bearing grease. Follow the Bearing Packing Instructions as explained on the last page of this manual. After each Hub As-

sembly is reassembled, tighten the Castle Nut until the wheel starts spinning with slight resistance. Loosen the Castle Nut about 1/2 turn from this point. Insert a new Cotter Pin through the Castle Nut and the hole in the axle. Bend the Pin back, locking it and the Nut in place.

Hydraulic System Care

1. The recommended interval for changing the hydraulic oil and filter is every 3 months with regular use.
2. If the Log Splitter begins to lose power or splitting efficiency, it may be a result of air becoming trapped in the hydraulic system. Follow the steps below to bleed air from the system.
3. Loosen the Oil Plug (37) and move the O-ring out of the way to expose the air hole in the Oil Plug.
4. Remove the spark plug from the engine (see engine manual) to keep the engine from starting during this process.
5. Push the Directional Valve (58) forward, toward the front of the Cylinder (1) (see FIGURE 1).
6. Pull the engine starter cord 10-15 times until the hydraulic cylinder piston moves forward.
7. Tighten the Oil Plug (37).
8. Replace the spark plug.
9. Test the Log Splitter to make sure it is operating properly. If not, repeat the above process.
10. Warning! Only a qualified technician should repair or service the internal hydraulic system of this unit.

PLEASE READ THE FOLLOWING CAREFULLY

THE MANUFACTURER AND/OR DISTRIBUTOR HAS PROVIDED THE PARTS LIST AND ASSEMBLY DIAGRAM IN THIS MANUAL AS A REFERENCE TOOL ONLY. NEITHER THE MANUFACTURER OR DISTRIBUTOR MAKES ANY REPRESENTATION OR WARRANTY OF ANY KIND TO THE BUYER THAT HE OR SHE IS QUALIFIED TO MAKE ANY REPAIRS TO THE PRODUCT, OR THAT HE OR SHE IS QUALIFIED TO REPLACE ANY PARTS OF THE PRODUCT. IN FACT, THE MANUFACTURER AND/OR DISTRIBUTOR EXPRESSLY STATES THAT ALL REPAIRS AND PARTS REPLACEMENTS SHOULD BE UNDERTAKEN BY CERTIFIED AND LICENSED TECHNICIANS, AND NOT BY THE BUYER. THE BUYER ASSUMES ALL RISK AND LIABILITY ARISING OUT OF HIS OR HER REPAIRS TO THE ORIGINAL PRODUCT OR REPLACEMENT PARTS THERETO, OR ARISING OUT OF HIS OR HER INSTALLATION OF REPLACEMENT PARTS THERETO.

PARTS LIST

Part	Description	Qty.
1	Cylinder	1
2	Rail Assembly	1
3	Slide Assembly	1
4	Safety Chain With Hook	1
5	Slide Guide	2
6	Slide Retainer	2
7	Bolt 1/2"*2-1/2"	6
8	Hex Nut 1/2"	7
9	Hitch Coupler	1
10B	Oil Tank Assembly	1
11	Front Leg Assembly	1
12	Hex Head Bolt 1/2"*1-3/4"	2
13	Hex Nut 1/2"	2
14	Hex Head Nut 3/8"	3
15	Washer 1/2"	2
16	Hex Head Bolt 9/16"*1-1/4"	2
17	Hex Nut 9/16"	2
18	Washer	1
19	Hex Head Bolt 5/16"*2-3/4"	1
20	Hex Head Nut 3/8"	1
21	O Ring Seal	1
22	Hex Head Bolt 1/2"*1-3/4"	4
23	Hex Nut 5/16"	4
24	Spring Washer 5/16"	8
25	Cotter Pin	2
26	Push Pin	2
27	Clevis Pin	1
28	Hair Pin Clip	2
29	Hair Pin Clip 2.5"	2
30	Slide Holder	1
31	Hydraulic Tubing	1

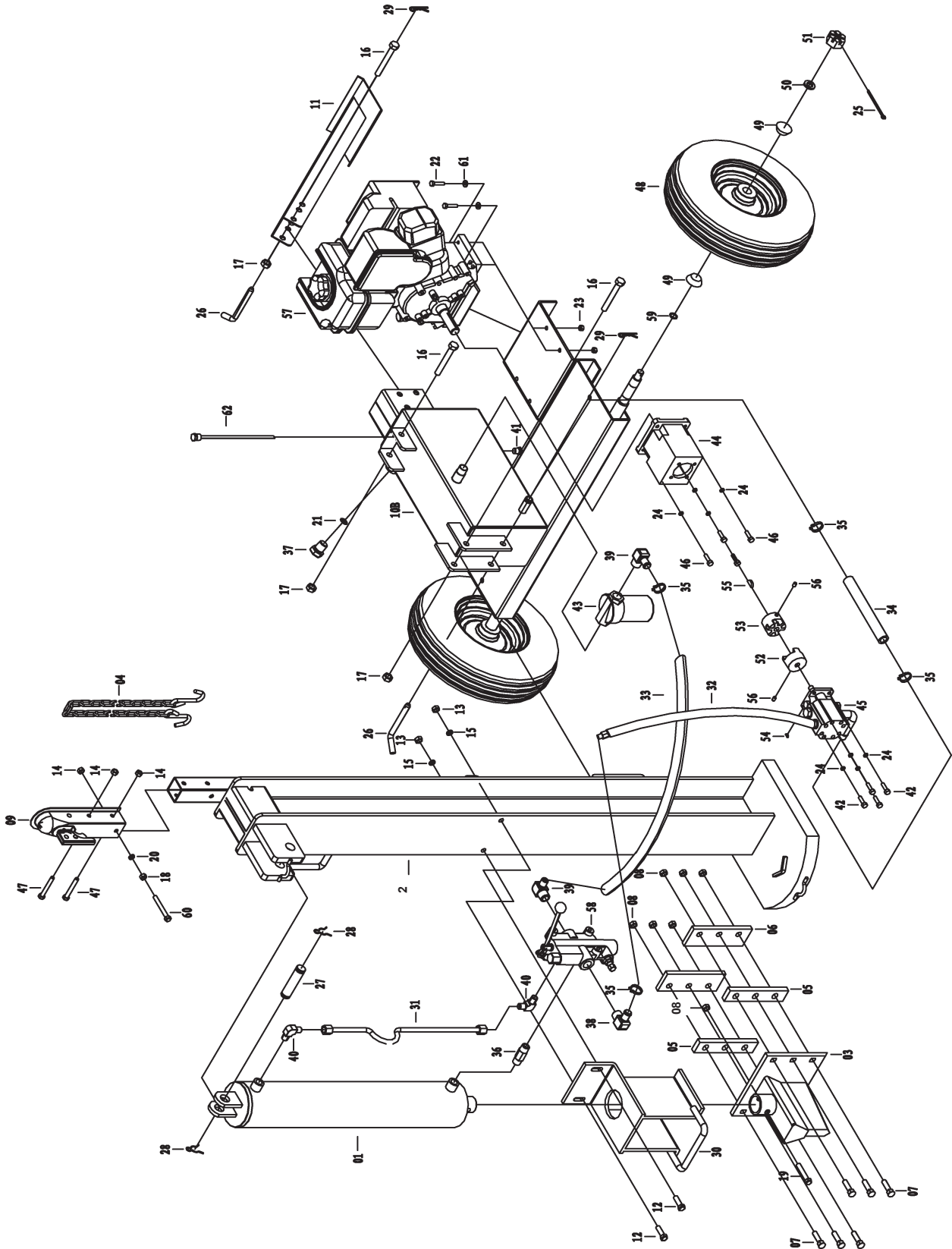
Part	Description	Qty.
32	High Pressure Hose	1
33	Return Hose	1
34	Inlet Hose	1
35	Hose Clamp	4
36	Male Connector	1
37	Oil Plug	1
38	High Pressure Fitting	1
39	90° Elbow Fitting #2	2
40	90° Elbow Fitting #3	2
41	Hex Head Bolt 3/8"*3/4"	1
42	Hex Head Bolt 5/16"*1"	4
43	Oil Filter	1
44	Pump Mounting Bracket	1
45	Pump	1
46	Hex Head Bolt 5/16"*1"	4
47	Hex Head Bolt 3/8"*3-1/4"	2
48	Tire	2
49	Bearing 30205E	4
50	Washer 3/4"	2
51	Spindle Nut	2
52	Coupling -Pump Side	1
53	Coupling -Engine Side	1
54	Pump Key 1/8"	1
55	Engine Key	1
56	Hex Screw	2
57	Engine	1
58	Directional Valve	1
59	Seal	2
60	Hex Head Bolt 3/8"*3-1/2"	1
61	Wheel Cap	2
62	Dipstick	1

Record Product's Serial Number Here: _____

Note: If product has no serial number, record month and year of purchase instead.

Note: Some parts are listed and shown for illustration purposes only, and are not available individually as replacement parts.

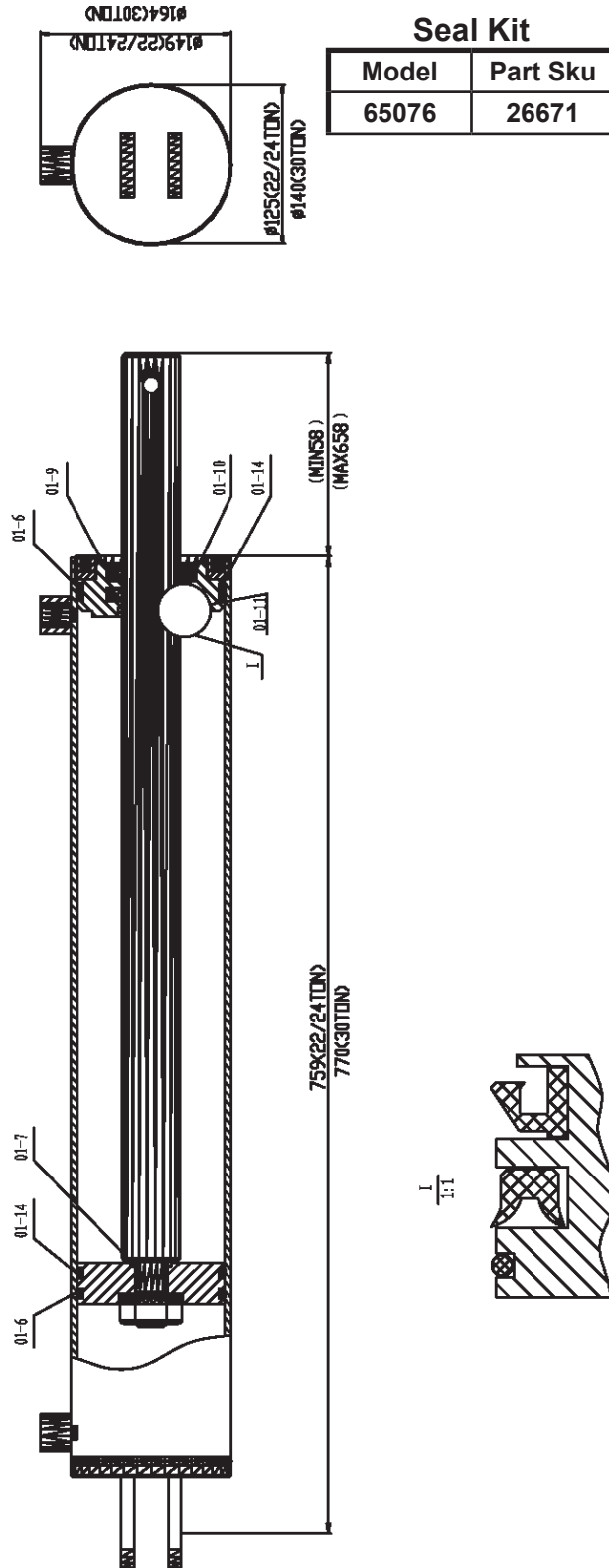
ASSEMBLY DIAGRAM



HYDRAULIC RAM SEALS

Warning! Only a qualified technician should repair or service the internal hydraulic system of this unit.

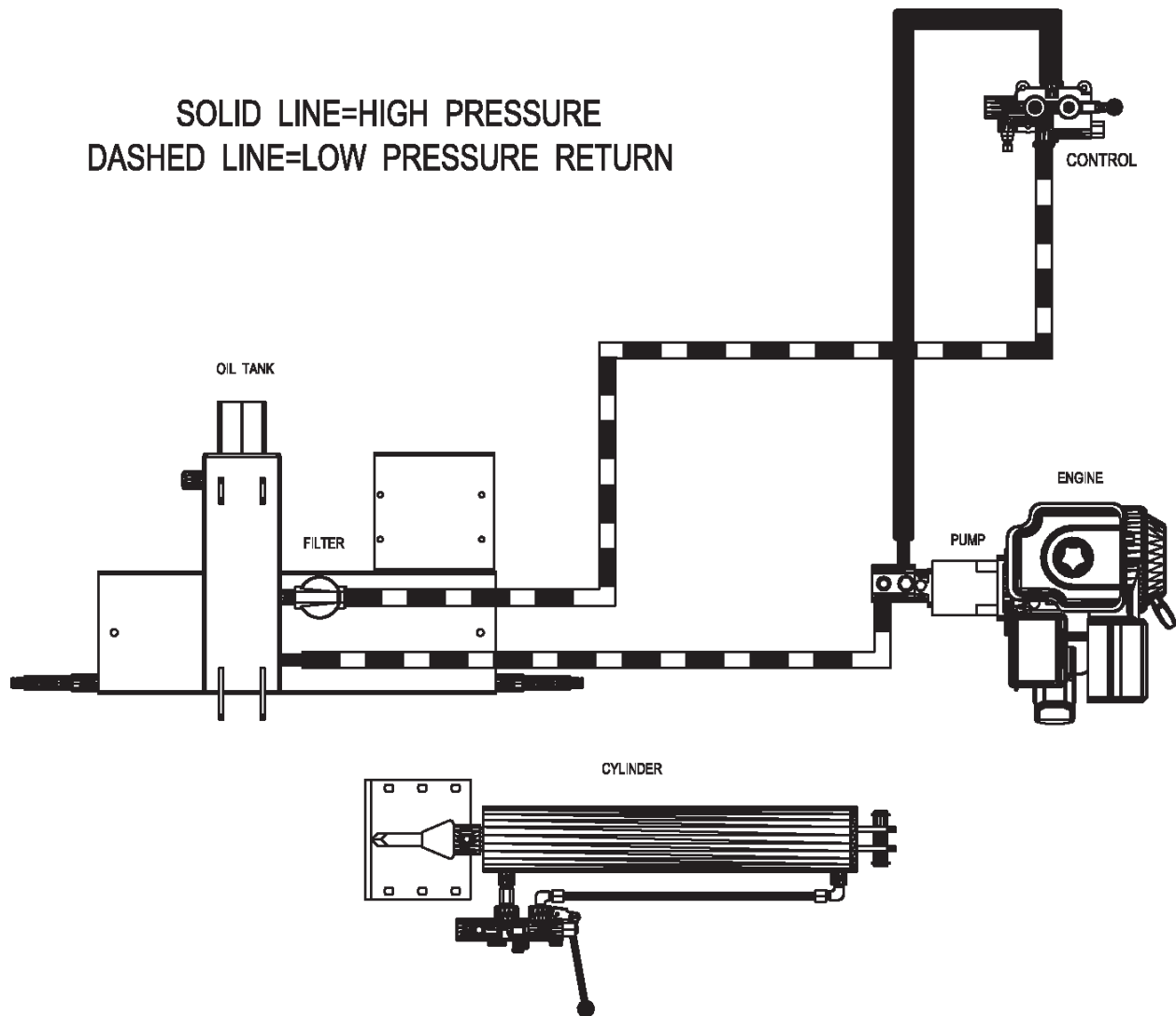
PARTS NO.	DESC(22, 24TON)	DESC(30TON)	QTY
01-6	"O"ring seal 106x5.3	"O"ring seal 118x5.3	4
01-7	"O"ring seal 25x3.55	"O"ring seal 38.5x3.55	1
01-9	"J"type rubber seal 45x70x12	"J"type rubber seal 50x75x12	1
01-10	"Y"type seal 45x65x10	"Y"type seal 50x70x10	1
01-11	"O"ring seal 45x3.55	"O"ring seal 50x3.55	1
01-14	nylon washer115x106x2	nylon washer127x118x2	3



Seal Kit

Model	Part Sku
65076	26671

HYDRAULICS DRAWING



LIMITED 1 YEAR / 90 DAY WARRANTY

Harbor Freight Tools Co. makes every effort to assure that its products meet high quality and durability standards, and warrants to the original purchaser that for a period of ninety days from date of purchase that the engine/motor, the belts (if so equipped), and the blades (if so equipped) are free of defects in materials and workmanship. Harbor Freight Tools also warrants to the original purchaser, for a period of one year from date of purchase, that all other parts and components of the product are free from defects in materials and workmanship (90 days if used by a professional contractor or if used as rental equipment). This warranty does not apply to damage due directly or indirectly, to misuse, abuse, negligence or accidents, repairs or alterations outside our facilities, normal wear and tear, or to lack of maintenance. We shall in no event be liable for death, injuries to persons or property, or for incidental, contingent, special or consequential damages arising from the use of our product. Some states do not allow the exclusion or limitation of incidental or consequential damages, so the above limitation of exclusion may not apply to you. THIS WARRANTY IS EXPRESSLY IN LIEU OF ALL OTHER WARRANTIES, EXPRESS OR IMPLIED, INCLUDING THE WARRANTIES OF MERCHANTABILITY AND FITNESS.

To take advantage of this warranty, the product or part must be returned to us with transportation charges prepaid. Proof of purchase date and an explanation of the complaint must accompany the merchandise. If our inspection verifies the defect, we will either repair or replace the product at our election or we may elect to refund the purchase price if we cannot readily and quickly provide you with a replacement. We will return repaired products at our expense, but if we determine there is no defect, or that the defect resulted from causes not within the scope of our warranty, then you must bear the cost of returning the product.

This warranty gives you specific legal rights and you may also have other rights which vary from state to state.

3491 Mission Oaks Blvd. • PO Box 6009 • Camarillo, CA 93011 • (800) 444-3353

Free Manuals Download Website

<http://myh66.com>

<http://usermanuals.us>

<http://www.somanuals.com>

<http://www.4manuals.cc>

<http://www.manual-lib.com>

<http://www.404manual.com>

<http://www.luxmanual.com>

<http://aubethermostatmanual.com>

Golf course search by state

<http://golfingnear.com>

Email search by domain

<http://emailbydomain.com>

Auto manuals search

<http://auto.somanuals.com>

TV manuals search

<http://tv.somanuals.com>