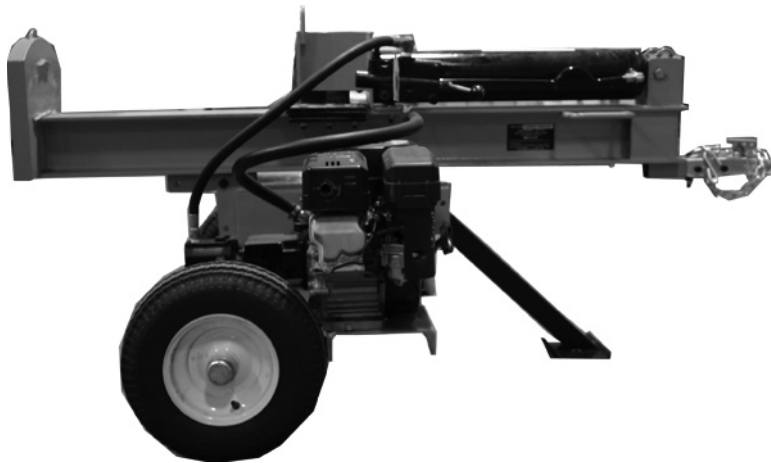




LOG SPLITTER WITH ROBIN® ENGINE

Models 91839, 91840 & 92199

SET UP AND OPERATING INSTRUCTIONS



WARNING!

IMPORTANT INFORMATION

This trailer's Hitch Coupler **MUST** be properly secured to the hitch ball of the towing vehicle. After assembly and attachment, pull up and down on the Hitch Coupler to make sure the hitch ball is fitting snugly in the Hitch Coupler. **There must be no play between the hitch ball and Hitch Coupler.** If there is play, tighten the Adjustment Nut until no play is present. If the Adjustment Nut is too tight, the Handle will not lock. **Carefully read and follow the complete instructions in this manual BEFORE setup or use.**

If the Coupler is not secured properly, the ball could come loose while the trailer is in motion, possibly causing property damage, SERIOUS PERSONAL INJURY, or DEATH.

Diagrams within this manual may not be drawn proportionally.

Due to continuing improvements, actual product may differ slightly from the product described herein.

Distributed exclusively by Harbor Freight Tools®.

3491 Mission Oaks Blvd., Camarillo, CA 93011

Visit our website at: <http://www.harborfreight.com>



**Read this material before using this product.
Failure to do so can result in serious injury.
SAVE THIS MANUAL.**

Copyright© 2004 by Harbor Freight Tools®. All rights reserved. No portion of this manual or any artwork contained herein may be reproduced in any shape or form without the express written consent of Harbor Freight Tools.

For technical questions or replacement parts, please call 1-800-444-3353.

REV 04k,06b,07j

Specifications

Log Capacity	25" Long, 8" Diameter	Tire Air Pressure	60 PSI Cold
Overall Dimensions	79-1/4" x 42-1/2" x 37-1/4"	Wedge Size	7-1/8" Tall
Hydraulic Fluid Capacity	2.5 Gallons	Toe Plate Thickness	1-5/8"
Wheel Size	8" Diameter, DOT Approved	Ram Diameter	1-3/4" Overall

Model	SKU 91839	SKU 91840	SKU 92199
Engine	9HP EX-27 Robin®	9HP EX-27 Robin®	6HP Robin®
Cylinder Diameter	4-1/2"	5"	4.5"
Tons of Force	24	30	22
Pump	Haldex® 11 GPM, 2-Stage Gear	Haldex® 16 GPM, 2-Stage Gear	Haldex® 11 GPM, 2-Stage Gear
Weight	498 lb.	640 lb.	492 lb.

This product requires engine oil, hydraulic oil, and fuel to be added before starting. Attempting to start the engine without oil will ruin the engine and void the warranty.

Before starting the engine, refer to the engine owners manual for additional engine maintenance information.

Note: 8" maximum diameter applies to most soft to medium types of woods. Maximum diameter of hardwoods may vary depending on density of the wood.

Note: Read and follow the instructions and safety warnings in the manual that accompanies the Robin® engine. Engine specifications are listed in the engine manual.

Save This Manual


You will need the manual for the safety warnings and precautions, assembly instructions, operating and maintenance procedures, parts list and diagram. Keep your invoice with this manual. Write the invoice number on the inside of the front cover. Keep the manual and invoice in a safe and dry place for future reference.

Safety Warnings and Precautions

WARNING: When using tool, basic safety precautions should always be followed to reduce the risk of personal injury and damage to equipment.

Read all instructions before using this tool!

1. **Keep work area clean.** Cluttered areas invite injuries.
2. **Observe work area conditions.** Do not use machines or power tools in damp or wet locations. Don't expose to rain. Keep work area well lighted.
3. **Keep children away; this unit may produce hazardous flying debris.** Children must never be allowed in the work area. Do not let them handle machines or tools.
4. **Store idle equipment.** When not in use, tools must be stored in a dry location to inhibit rust. Always lock up tools and keep out of reach of children.
5. **Use the right tool for the job.** Do not attempt to force a small tool or attachment to do the work of a larger industrial tool. There are certain applications for which this tool was designed. It will do the job better and more safely at the rate for which it was intended. Do not modify this tool and do not use this tool for a purpose for which it was not intended.

6. **Dress properly.** Do not wear loose clothing or jewelry as they can be caught in moving parts. Protective, electrically nonconductive clothes and nonskid, steel toe footwear are recommended when working. Wear restrictive hair covering to contain long hair.
7. **Use eye protection.** Always wear ANSI-approved impact safety glasses underneath a full face shield. Wear a NIOSH-approved dust mask or respirator when working around wood dust.
8. **Do not overreach.** Keep proper footing and balance at all times. Do not reach over or across the Log Splitter.
9. **Maintain tools with care.** Keep tools sharp and clean for better and safer performance. Follow instructions for lubricating and changing accessories. Inspect tool hoses periodically, and if damaged, have them repaired by an authorized technician. The handle must be kept clean, dry, and free from oil and grease at all times.
10. **Remove adjusting keys and wrenches.** Check that keys and adjusting wrenches are removed from the tool or machine work surface before plugging it in.
11. **Never leave the Log Splitter unattended while in operation.**
12. **Stay alert.** Watch what you are doing, use common sense. Do not operate any tool when you are tired.
13. **Never attempt to split two logs on top of each other.**
14. **Check for damaged parts.** Before using any tool, any part that appears damaged should be carefully checked to determine that it will operate properly and perform its intended function. Check for alignment and binding of moving parts; any broken parts or mounting fixtures; and any other condition that may affect proper operation. Any part that is damaged should be properly repaired or replaced by a qualified technician. Do not use the tool if any switch does not turn On and Off properly.
15. **Always operate the Log Splitter on a dry, flat, level surface with the wheels blocked.**
16. **Replacement parts and accessories.** When servicing, use only identical replacement parts. Use of any other parts will void the warranty. Only use accessories intended for use with this tool. Approved accessories are available from Harbor Freight Tools.
17. **Do not operate tool if under the influence of alcohol or drugs.** Read warning labels if taking prescription medicine to determine if your judgment or reflexes are impaired while taking drugs. If there is any doubt, do not operate the tool.
18. **Maintenance.** For your safety, service and repairs should be performed regularly by a qualified technician. Maintenance should be performed regularly.
19. **Never place your hands or body near a hydraulic fluid leak.** Never check for a leak with your hands or other body parts. High-pressure fluid can be forced under your skin resulting in serious injury.
20. **Never place hands or feet between the log and splitter wedge, or between the log and the ram during the forward or reverse stroke.**
21.  **This equipment must never be used in any sealed structure. Carbon monoxide is produced during operation and is DEADLY in a closed environment.** Early signs of carbon Monoxide poisoning resemble the flu, with headaches, dizziness, or nausea. If you have these signs, the tool may not be working properly or is improperly vented, get fresh air immediately.

22. **Never split a log that contains any foreign materials.**
23. **WARNING:** The brass components in this product contain lead, which is a chemical known to the State of California to cause cancer and birth defects or other reproductive harm. (California Health & Safety Code § 25249.5, *et seq.*)
24. **People with pacemakers should consult their physician(s) before using this product.** Electromagnetic fields in close proximity to a heart pacemaker could cause interference to or failure of the pacemaker.

Warning: The warnings, cautions, and instructions discussed in this instruction manual cannot cover all possible conditions and situations that may occur. It must be understood by the operator that common sense and caution are factors which cannot be built into this product, but must be supplied by the operator.

Unpacking

When unpacking, check to make sure the parts listed on page 9 are included. If any parts are missing or broken, please call Harbor Freight Tools at the number on the cover of this manual as soon as possible.

Assembly

Note: Because of the weight and size of the Log Splitter, assembly should be done with the help of another person.

Attaching the Tires

Refer to the Assembly Drawing on page 9 and **FIGURE 1** on page 5.

1. Position the Tires (48) next to each of the Axles located on the bottom of the Oil Tank Assembly (10). The Tires (48) come completely assembled.
2. Make certain to pack the bearings as explained in the included insert.
3. Put a Seal (59) and Bearing (49) on the Axle and then put the Tire (48) on the Axle.
4. **Follow the *Bearing Packing Instructions* as explained on the last page of this manual.** With each Tire (48) in place, add a Washer (50) and a Spindle Nut (51) onto the ends of the Axles. Tighten the Spindle Nuts (51) to 20-25 ft. pounds, and turn each tire several times to seat the bearing. Back off the Spindle Nut (51) one half turn. Insert a Cotter Pin (25) through both the Axle and the Spindle Nut (51) and bend the end of the Pin back to hold it in place. Lastly, tap on a Wheel Cap (61).

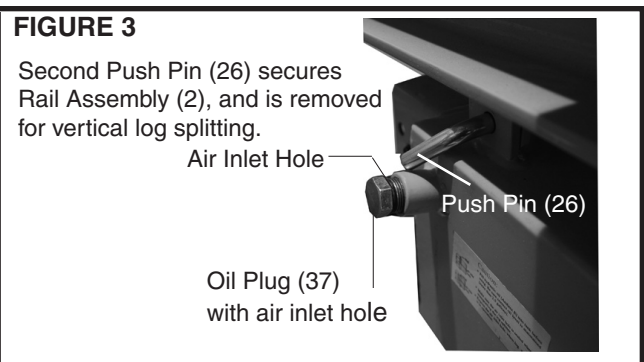
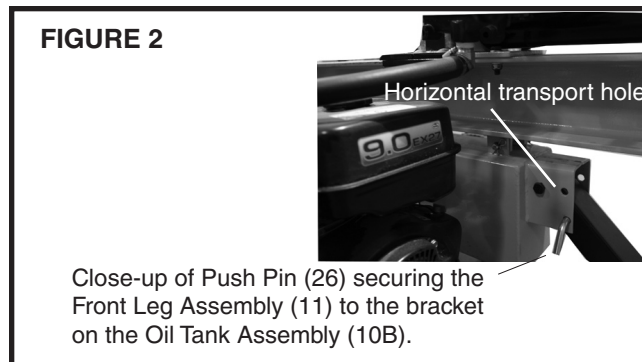
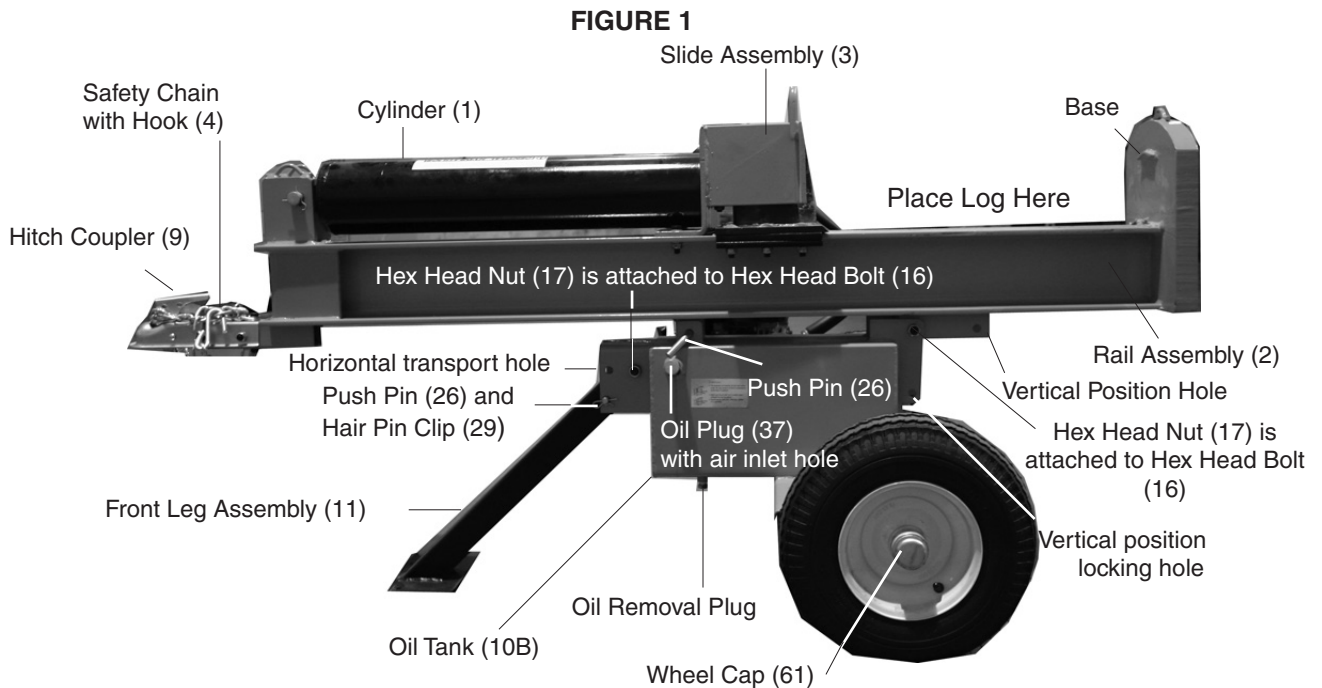
The Tire (48) assembly is now complete. **Note:** It may be necessary to reset the wheel bearings after the Log Splitter has been towed.

The wheel manufacturer states the maximum speed is not to exceed 40 MPH. The tires are DOT approved for public roads; however, this item is not for use on public roads or highways.

Assembly (continued)

Connecting the Rail Assembly (2) to the Oil Tank Assembly (10B)

1. Insert the Front Leg Assembly (11) into the bracket on the Oil Tank Assembly (10B). Insert the remaining Hex Head Bolt (16) through the hole in the middle of the bracket of the Oil Tank Assembly (10B). Secure it with a Hex Head Nut (17). Refer to the Hex Head Nut (17) attached to the Hex Head Bolt (16) at the top of the Front Leg Assembly (11) in **FIGURE 1** below. **Note:** When travelling, remove the Push Pin (26) and Hair Pin Clip (29) and lift the Front Leg Assembly up so that it is parallel to the Rail Assembly (2). Then, replace the Push Pin (26) and Hair Pin Clip (29) into the Horizontal Transport Hole shown just above the Oil Plug (37), in **FIGURES 1 and 2.**
2. To connect the Rail Assembly (2) to the Oil Tank Assembly (10B), insert a Hex Head Bolt (16) into the middle hole of the "L" shaped bracket on the Oil Tank Assembly (10B). Secure it with a Hex Head Nut (17). Refer to the Hex Head Nut (17) attached to the Hex Head Bolt (16) just above the tire in **FIGURE 1** below. Insert the Push Pin (26) through the hole, as shown in **FIGURE 3**.
3. In **FIGURES 1 and 2**, the Rail Assembly (2) is shown in Horizontal mode for operation and travel (as mentioned above, the Front Leg Assembly (11) must be secured up in the horizontal position when travelling). For vertical operation see page 6.



Transportation

When transporting the Log Splitter, make sure your hitch (not included) is compatible with the Hitch Coupler (9). Follow all of the safety warnings for towing in your vehicle's manual. Always use the Safety Chain with Hook (4) when towing a vehicle. Do not tow the Log Splitter at speeds above 45 MPH. As mentioned in number 2 on page 5, always travel with the Front Leg Assembly (11) in the horizontal position. The Rail Assembly (2) must always be secured in the horizontal position for travelling. Note: Make sure the air inlet hole on the Oil Plug (37) is covered when transporting. See FIGURE 3 on page 5, and refer to number 2 in Operation below.

Pull up and down on the Hitch Coupler to make sure the hitch ball is fitting snugly in the Hitch Coupler. There should be no play between the hitch ball and Hitch Coupler. If there is play, tighten the Adjustment Nut until no play is present. If the Adjustment Nut is too tight, the Handle will not lock.

Note: The hitch will accept 2 inch hitch balls.

Operation

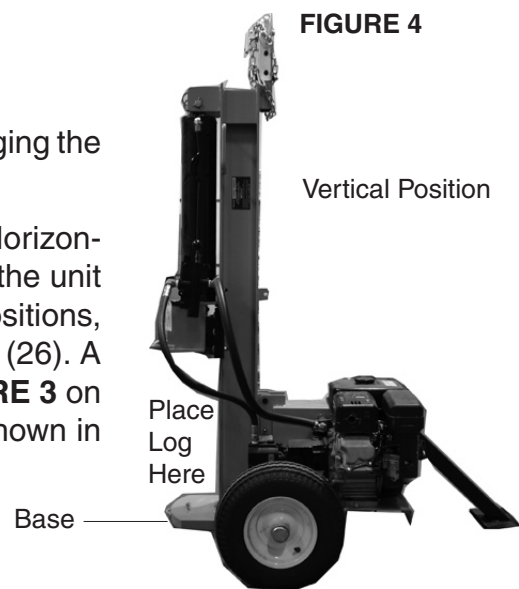
Warning!! Always block the wheels before changing the position (vertical/horizontal) of the unit.

In **FIGURE 1**, the Rail Assembly (2) is shown in Horizontal mode for operation and travel. In **FIGURE 4** the unit is shown in the vertical position. To change positions, remove the Hair Pin Clip (29) and the Push Pin (26). A close-up of this Push Pin (26) is shown in **FIGURE 3** on page 5. Tilt the unit to the vertical position as shown in **FIGURE 4**, and replace both the Push Pin (26) and the Hair Pin Clip (29) into the vertical position hole (See **FIGURE 1**). Reverse the process to return to the horizontal position.

1. Remove the Oil Plug (37) and fill the tank with Hydraulic oil (not included). To check the oil level remove the Dipstick (62), check the level then replace it. The oil should be at the upper notch of the Dipstick. Be sure that a constant oil level of 2.5 gallons is maintained. See **FIGURE 3** on page 5, Parts List page 9, and Assembly Diagram page 10.
2. The hydraulic system must be vented during operation or it may become vacuum locked and stop working properly. To vent the system, open the air inlet hole (See **FIGURE 3**) by loosening the Oil Plug. You may have to move the o-ring to expose the air inlet vent. When the Log Splitter is not in operation or being transported, close the air inlet hole by tightening the Oil Plug (37).
3. Make certain that the maximum length of each log does not exceed 25 inches with a diameter of 8 inches.

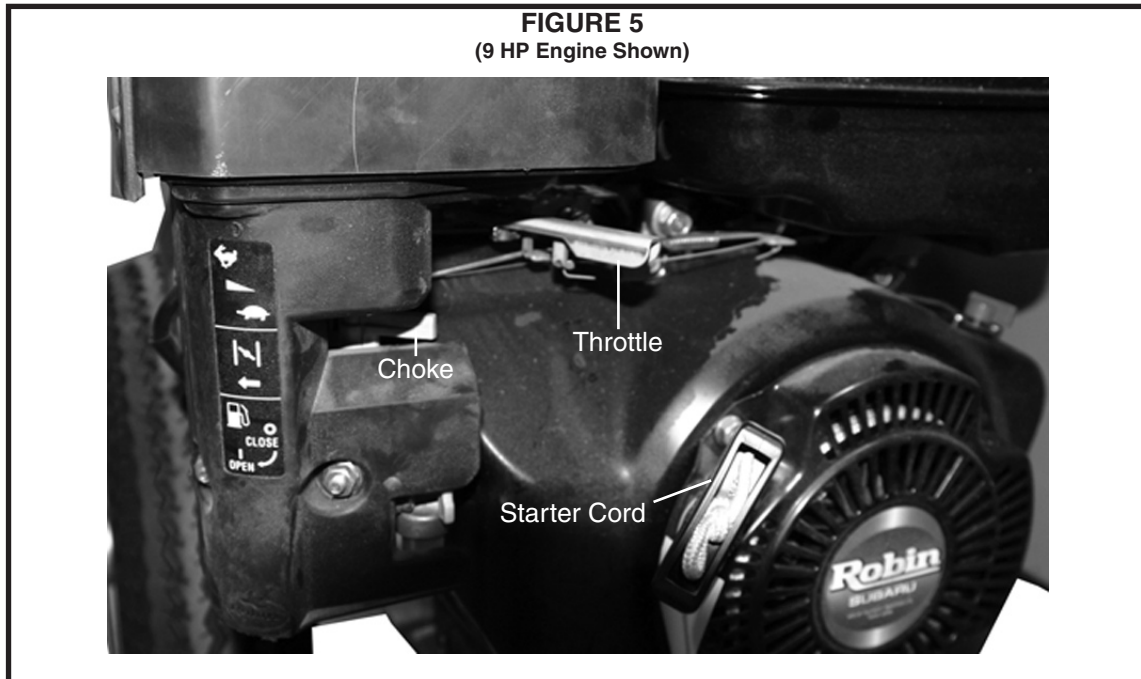
CAUTION

Care must be taken when backing up the Trailer; only back up the trailer on a straight path. If the Trailer is allowed to turn off the straight path while backing up, the Trailer could jackknife, causing severe damage to the trailer and to the towing vehicle.



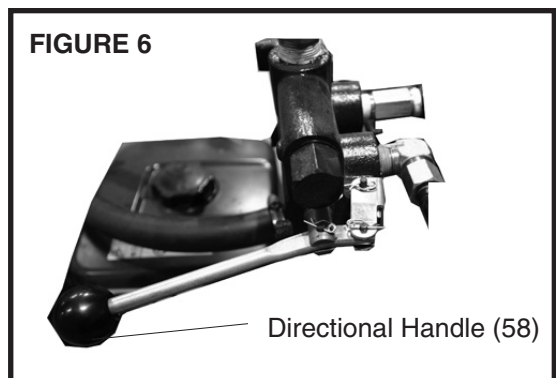
Operation (continued)

- Place the log on the Splitter Base as shown in **FIGURES 1 and 4**. Make sure the wedge on the Slide Assembly (3) is facing the log. (See **FIGURE 1**).
- After reading and following all of the setup, safety, and operation warnings in the Robin® Operating Manual, turn on the engine. See **FIGURE 5**. Set the engine's throttle all the way to the fast setting (represented by the rabbit, left in the picture below).



WARNING!! Stand clear of the splitting area. No spectators should be within twenty feet of the log splitting area. Wood projectiles can fly in any direction.

- Grip the Directional Valve (58) and move it into the lower position to move the Slide Assembly (3) toward the log to split it.
- Once the log is split, remove the split pieces. To back the wedge off the log, move the Directional Valve (58) away from the log you just split.



To stop movement of the Log Splitter, move the Directional Valve (58) into the midpoint. Do not go near the splitting area if the Slide Assembly (3) is moving.

- Continue repeating the above steps until all of the logs are split.

Maintenance

The engine must be off when performing any maintenance. If the unit was recently used, make sure that the engine has cooled to avoid burns.

1. After every use, wipe down the Log Splitter to remove any tree sap or dirt. This will extend the life of the unit. Always keep the wedge and base clean.
2. When storing, make sure the Log Splitter is locked in a location where children cannot reach it.
3. Read the maintenance section of the engine manual and follow all of the procedures.

Note: The recommended interval for changing the hydraulic oil and filter is approximately every 3 months.

4. **BEFORE TRANSPORTING**, inspect the general condition of the Trailer. Check for loose Bolts and Nuts, misalignment or binding of moving parts, cracked, bent, or broken parts, excessively worn Safety Chain, damaged Tail Lights/Side Running Lights/Wiring Harness, loose Lug Nuts, loose Hitch connection, and any other condition that may affect its safe operation. If abnormal noise or vibration occurs, have the problem corrected before further use. **Do not use damaged equipment.**
5. **BEFORE TRANSPORTING**, check the Tires for wear and proper inflation (60 PSI).
6. **BEFORE TRANSPORTING AND AT 500 MILE INTERVALS DURING EVERY TRIP**, check and tighten the Tire Lug Nuts. Torque from 85 to 90 ft-lb.
7. **EVERY 2,000 TO 3,000 MILES OF TRAVEL**, lubricate the Hub Assemblies with a heavy weight bearing grease. **Follow the *Bearing Packing Instructions* as explained on the last page of this manual.** After each Hub Assembly is reassembled, tighten the Castle Nut until the wheel starts spinning with slight resistance. Loosen the Castle Nut about 1/2 turn from this point. Insert a new Cotter Pin through the Castle Nut and the hole in the axle. Bend the Pin back, locking it and the Nut in place.

Bleeding the Hydraulic System

If the Log Splitter begins to lose power or splitting efficiency, it may be a result of air becoming trapped in the hydraulic system. Follow the steps below to bleed air from the system.

1. Loosen the Oil Plug (37) and make sure the o-ring is out of the way to expose the air hole in the Oil Plug (37).
2. Remove the spark plug from the engine (see engine manual) to keep the engine from starting during this process.
3. Push the Directional Valve (58) forward, toward the front of the Cylinder (1) (see **FIGURE 1**).
4. Pull the engine starter cord 10-15 times until the hydraulic cylinder piston moves forward.
CAUTION: Keep everything away from the splitting edge during this process.
5. Tighten the Oil Plug (37).
6. Replace the spark plug.
7. Test the Log Splitter to make sure it is operating properly. If not, repeat the above process.

Parts List

When ordering parts, be certain to note which Sku number they are for.

Part	Description	Qty.
1	Cylinder	1
2	Rail Assembly	1
3	Slide Assembly	1
4	Safety Chain With Hook	1
5	Slide Guide	2
6	Slide Retainer	2
7	Bolt 1/2"*2-1/2"	6
8	Hex Nut 1/2"	7
9	Hitch Coupler	1
10B	Oil Tank Assembly	1
11	Front Leg Assembly	1
12	Hex Head Bolt 1/2"*1-3/4"	2
13	Hex Nut 1/2"	2
14	Hex Head Nut 3/8"	3
15	Washer 1/2"	2
16	Hex Head Bolt 9/16"*1-1/4"	2
17	Hex Nut 9/16"	2
18	Washer	1
19	Hex Head Bolt 5/16"*2-3/4"	1
20	Hex Head Nut 3/8"	1
21	O Ring Seal	1
22	Hex Head Bolt 1/2"*1-3/4"	4
23	Hex Nut 5/16"	4
24	Spring Washer 5/16"	8
25	Cotter Pin	2
26	Push Pin	2
27	Clevis Pin	1
28	Hair Pin Clip	2
29	Hair Pin Clip 2.5"	2
30	Slide Holder	1
31	Hydraulic Tubing	1

Part	Description	Qty.
32	High Pressure Hose	1
33	Return Hose	1
34	Inlet Hose	1
35	Hose Clamp	4
36	Male Connector	1
37	Oil Plug	1
38	High Pressure Fitting	1
39	90° Elbow Fitting #2	2
40	90° Elbow Fitting #3	2
41	Hex Head Bolt 3/8"*3/4"	1
42	Hex Head Bolt 5/16"*1"	4
43	Oil Filter	1
44	Pump Mounting Bracket	1
45	Pump	1
46	Hex Head Bolt 5/16"*1"	4
47	Hex Head Bolt 3/8"*3-1/4"	2
48	Tire	2
49	Bearing 30205E	4
50	Washer 3/4"	2
51	Spindle Nut	2
52	Coupling -Pump Side	1
53	Coupling -Engine Side	1
54	Pump Key 1/8"	1
55	Engine Key	1
56	Hex Screw	2
57	Engine*	1
58	Directional Valve	1
59	Seal	2
60	Hex Head Bolt 3/8"*3-1/2"	1
61	Wheel Cap	2
62	Dipstick	1

***The parts list for the Engine (57) is in the separate Robin® Engine Manual.**

PLEASE READ THE FOLLOWING CAREFULLY

THE MANUFACTURER AND/OR DISTRIBUTOR HAS PROVIDED THE PARTS DIAGRAM IN THIS MANUAL AS A REFERENCE TOOL ONLY. NEITHER THE MANUFACTURER NOR DISTRIBUTOR MAKES ANY REPRESENTATION OR WARRANTY OF ANY KIND TO THE BUYER THAT HE OR SHE IS QUALIFIED TO MAKE ANY REPAIRS TO THE PRODUCT OR THAT HE OR SHE IS QUALIFIED TO REPLACE ANY PARTS OF THE PRODUCT. IN FACT, THE MANUFACTURER AND/OR DISTRIBUTOR EXPRESSLY STATES THAT ALL REPAIRS AND PARTS REPLACEMENTS SHOULD BE UNDERTAKEN BY CERTIFIED AND LICENSED TECHNICIANS AND NOT BY THE BUYER. THE BUYER ASSUMES ALL RISK AND LIABILITY ARISING OUT OF HIS OR HER REPAIRS TO THE ORIGINAL PRODUCT OR REPLACEMENT PARTS THERETO, OR ARISING OUT OF HIS OR HER INSTALLATION OF REPLACEMENT PARTS THERETO.

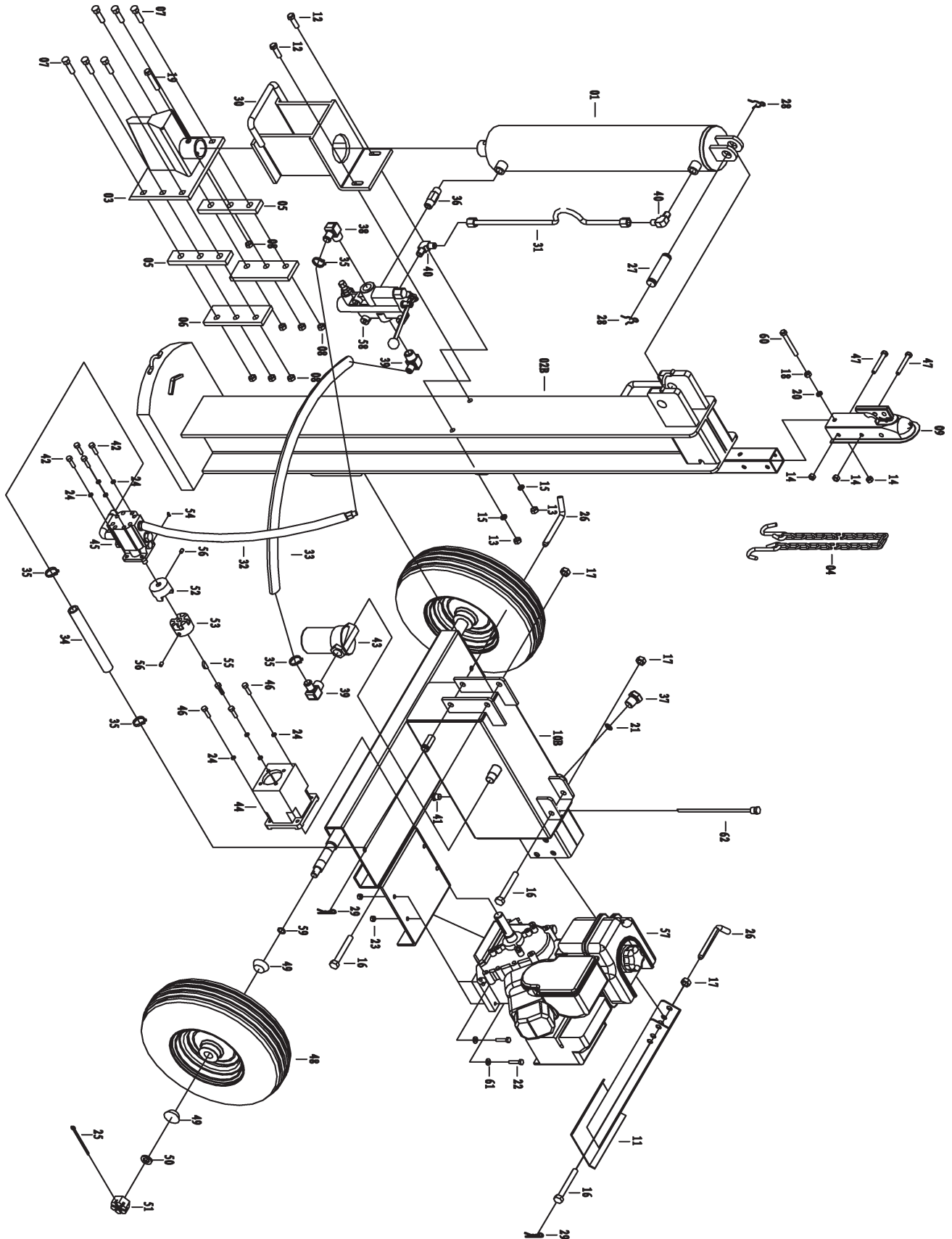
NOTE: Some parts are listed and shown for illustration purposes only and are not available individually as replacement parts.

SKUs 91839, 91840
& 92199

For replacement parts, please call 1-800-444-3353.

REV 07e
Page 9

Assembly Drawing



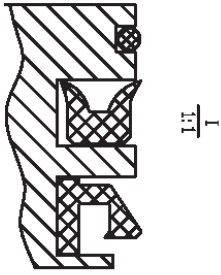
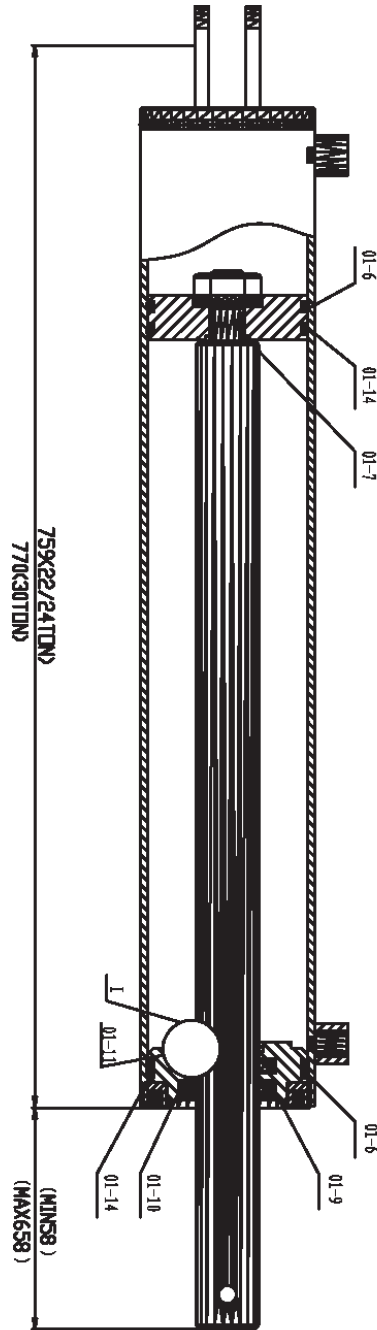
SKUs 91839, 91840
& 92199

For replacement parts, please call 1-800-444-3353.

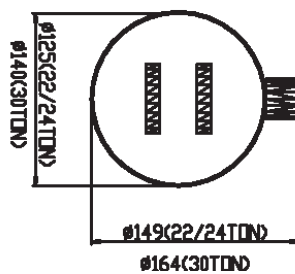
REV 07e
Page 10

Hydraulic Ram Seals

Warning! Only a qualified technician should repair or service the internal hydraulic system of this unit.



PARTS NO.	DESC(22, 24TON)	DESC(30TON)	QTY
01-6	"O"ring seal 106x5.3	"O"ring seal 118x5.3	4
01-7	"O"ring seal 25x3.55	"O"ring seal 38.5x3.55	1
01-9	"J" type rubber seal 45x70x12	"J" type rubber seal 50x75x12	1
01-10	"Y" type seal 45x65x10	"Y" type seal 50x70x10	1
01-11	"O"ring seal 45x3.55	"O"ring seal 50x3.55	1
01-14	nylon washer 115x106x2	nylon washer 127x118x2	3



Seal Kits

Model	Part Sku
91839	26671
92199	
91840	28872

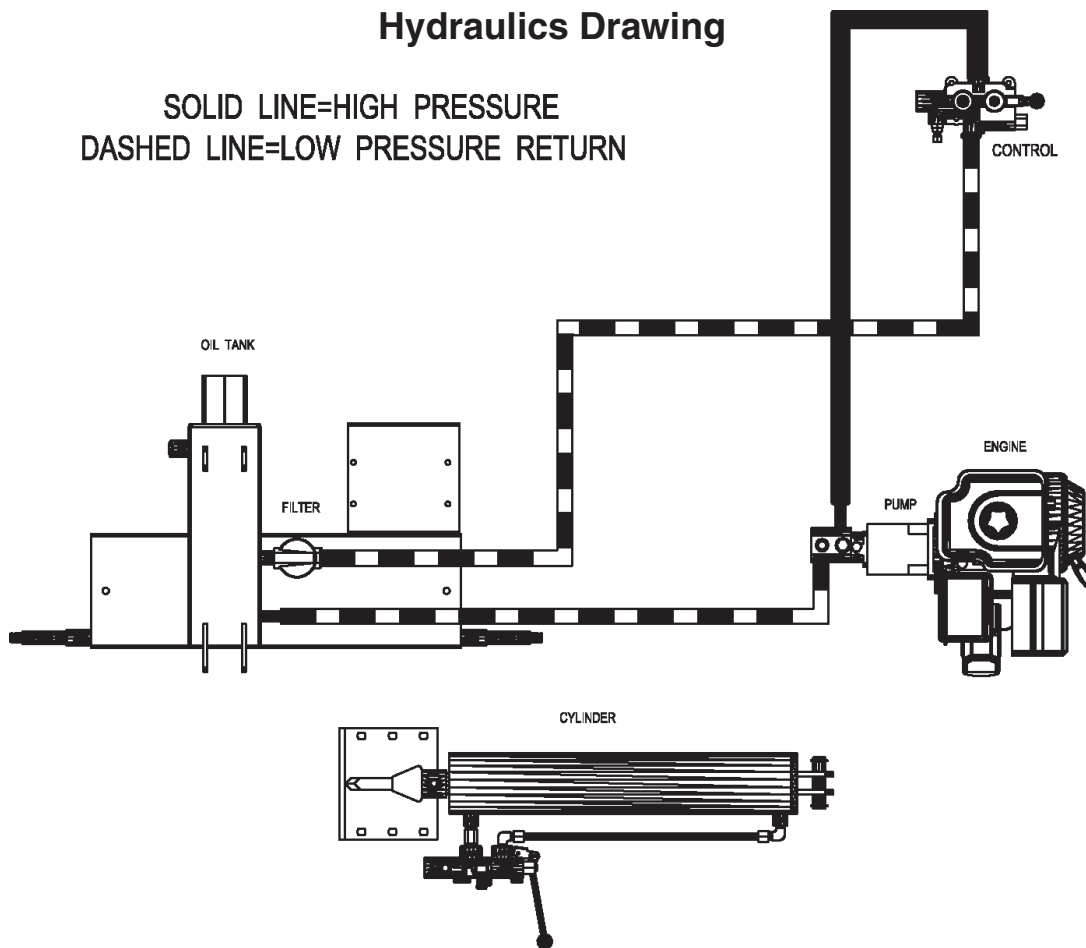
SKUs 91839, 91840
& 92199

For replacement parts, please call 1-800-444-3353.

REV 05j
Page 11

Hydraulics Drawing

SOLID LINE=HIGH PRESSURE
DASHED LINE=LOW PRESSURE RETURN



Bearing Packing Instructions

Important

Read and adhere to the following instructions; failure to read and obey all of the following instructions **COMPLETELY** will void the warranty and can result in damage to the trailer, property damage, or **SERIOUS PERSONAL INJURY**.

Whenever a hub is disassembled (if a hub on a new unit requires assembly or a hub is disassembled for maintenance), the following procedure **MUST** be followed.

1. Using a suitable solvent, thoroughly clean the bearings and the rest of the parts in the Hub assembly of all grease, dirt, metal shavings, or any other foreign object. **The parts must be cleaned even if they are new or appear clean.**
2. Allow all pieces to dry completely.
3. Make sure that your hands are thoroughly clean and the bearing packer (not included) is also thoroughly clean.
4. Place fresh, clean bearing grease in the packer.
5. With the grease-filled bearing packer in one hand and the bearing in the other, press the bearing into the grease, forcing the grease inside the slots in the bearing, continue doing this until every slot in the bearing is completely full of grease.
6. Finish assembling the hub/wheel assembly as explained in this manual, being careful not to get any dirt or debris on any part of the assembly.

Free Manuals Download Website

<http://myh66.com>

<http://usermanuals.us>

<http://www.somanuals.com>

<http://www.4manuals.cc>

<http://www.manual-lib.com>

<http://www.404manual.com>

<http://www.luxmanual.com>

<http://aubethermostatmanual.com>

Golf course search by state

<http://golfingnear.com>

Email search by domain

<http://emailbydomain.com>

Auto manuals search

<http://auto.somanuals.com>

TV manuals search

<http://tv.somanuals.com>