

HKTS 7 Home Theater Speaker System

OWNER'S MANUAL



harman/kardon®

Table of Contents

- 3 Introduction
- 4 SUB-TS7 Subwoofer Amplifier Panel Controls and Connections
- 6 Speaker Placement
- 7 Mounting Options
- 8 Speaker Connections
 - 8 Speaker-Level Connection Guide
- 9 Dolby Digital or DTS (or Other Digital Surround Mode) Connection
- 10 Dolby Pro Logic (Non-Digital) – Line Level
- 11 Dolby Pro Logic (Non-Digital) – Speaker Level
- 12 Operation
 - 12 Volume
 - 12 Additional Bass Adjustments
- 13 Troubleshooting
- 14 Specifications

Declaration of Conformity



We, Harman Consumer Group, Inc.
2, Route de Tours
72500 Château-du-Loir,
FRANCE

declare in own responsibility, that the product described in this owner's manual is in compliance with technical standards:

EN 61000-6-3:2001
EN 61000-6-1:2001
EN 55013:2001
EN 55020:2002
EN 61000-3-2:2000
EN 61000-3-3:1995+A1:2001
EN 60065:2002

A handwritten signature in black ink, appearing to read 'Jurjen Amsterdam', is written over a light grey circular stamp.

Jurjen Amsterdam
Harman Consumer Group, Inc.
03/07

Typographical Conventions

In order to help you use this manual, certain conventions have been used.

Example – (bold type) indicates a specific control or rear-panel connection on the SUB-TS7 subwoofer

EXAMPLE – (OCR type) indicates a control or switch position on the SUB-TS7 subwoofer

1 – (number in a circle) indicates a rear-panel control or connection on the SUB-TS7 subwoofer

Introduction

Introduction

Thank you for purchasing the Harman Kardon HKTS 7, with which you're about to begin many years of listening enjoyment. The HKTS 7 has been custom-designed to provide all the excitement and power of the cinema experience in your own living room.

While sophisticated electronics and state-of-the-art speaker components are hard at work within the HKTS 7, hookup and operation are simple. Color-keyed cables and connections, and simple controls make the HKTS 7 easy to use.

To obtain maximum enjoyment from your new home theater speaker system, we urge you to take a few minutes to read through this manual. This will ensure that connections to your receiver or preamp/processor and amplifier or other external devices are made properly. In addition, a few minutes spent learning the functions of the various controls will enable you to take advantage of all the power and refinement the HKTS 7 is able to deliver.

If you have any questions about this product, its installation or operation, please contact your dealer, the best local source of information.

Description and Features

The HKTS 7 is a six-piece home theater speaker system that includes a 10-inch, 100-watt, bass-reflex powered subwoofer; four identical, 2-way satellite speakers for use in the left and right front and rear speaker positions; a voice-matched, dedicated, dual-driver center speaker; shelf stands and wall-mount brackets for the four satellites and the center speaker; and all of the speaker cables you need to connect your speakers to your receiver or preamp/processor and amplifier. The speaker cables and speakers all use a color-coding system to conform to the CEA standard. The color-coding system minimizes confusion, especially when the HKTS 7 system is used with a Harman Kardon receiver.

The HKTS 7 subwoofer is easy to connect to your system, since it's equipped with a special subwoofer input for use with equipment that has a dedicated subwoofer connection that carries a low-frequency output. It also includes stereo speaker-level inputs and outputs for connection to older receivers and processors that do not have a line-level subwoofer output. Other conveniences include a level control, high-cut (low-pass) filter switch and phase switch for fine-tuning bass response to suit your listening environment and taste, and an efficient switching system that senses the presence of an audio signal and automatically switches the unit from Standby mode to Active mode.

Shelf stands and wall-mount brackets are included for the satellite speakers, and optional HTFS 2 floor stands are available separately from your Harman Kardon dealer.

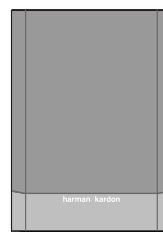
Harman Kardon invented the high-fidelity receiver fifty years ago. With state-of-the-art features and time-honored circuit designs, the HKTS 7 is a perfect complement to a Harman Kardon receiver or any home theater system.

- Complete home theater speaker system
- Speakers are magnetically shielded for placement near video monitors
- Fully color-coded cables and connections simplify setup
- Both line- and speaker-level inputs for use with most audio components
- Subwoofer input offers superior-quality bass reproduction when used with any digital audio system that incorporates bass management or programmable crossovers

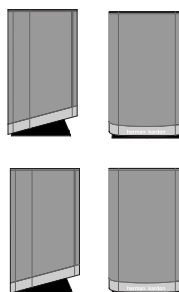
Included



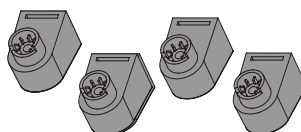
One center channel speaker



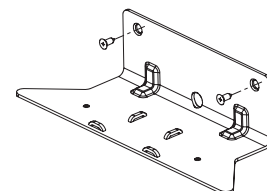
One powered subwoofer



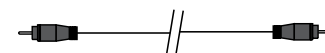
Four satellites for left, right and surrounds, with color-key stickers (shown with included shelf stands attached)



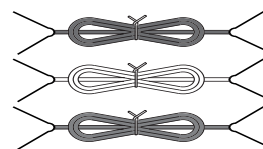
Four satellite wall-mount brackets



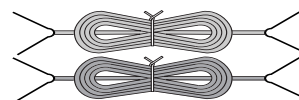
One center wall-mount bracket



One RCA cable for connection to subwoofer (purple)



Three 6-meter speaker cables for connection to front satellites (red and white) and to center speaker (green)



Two 12-meter speaker cables for connection from receiver to rear satellites (gray and blue)

CAUTION

RISK OF ELECTRIC SHOCK
DO NOT OPEN

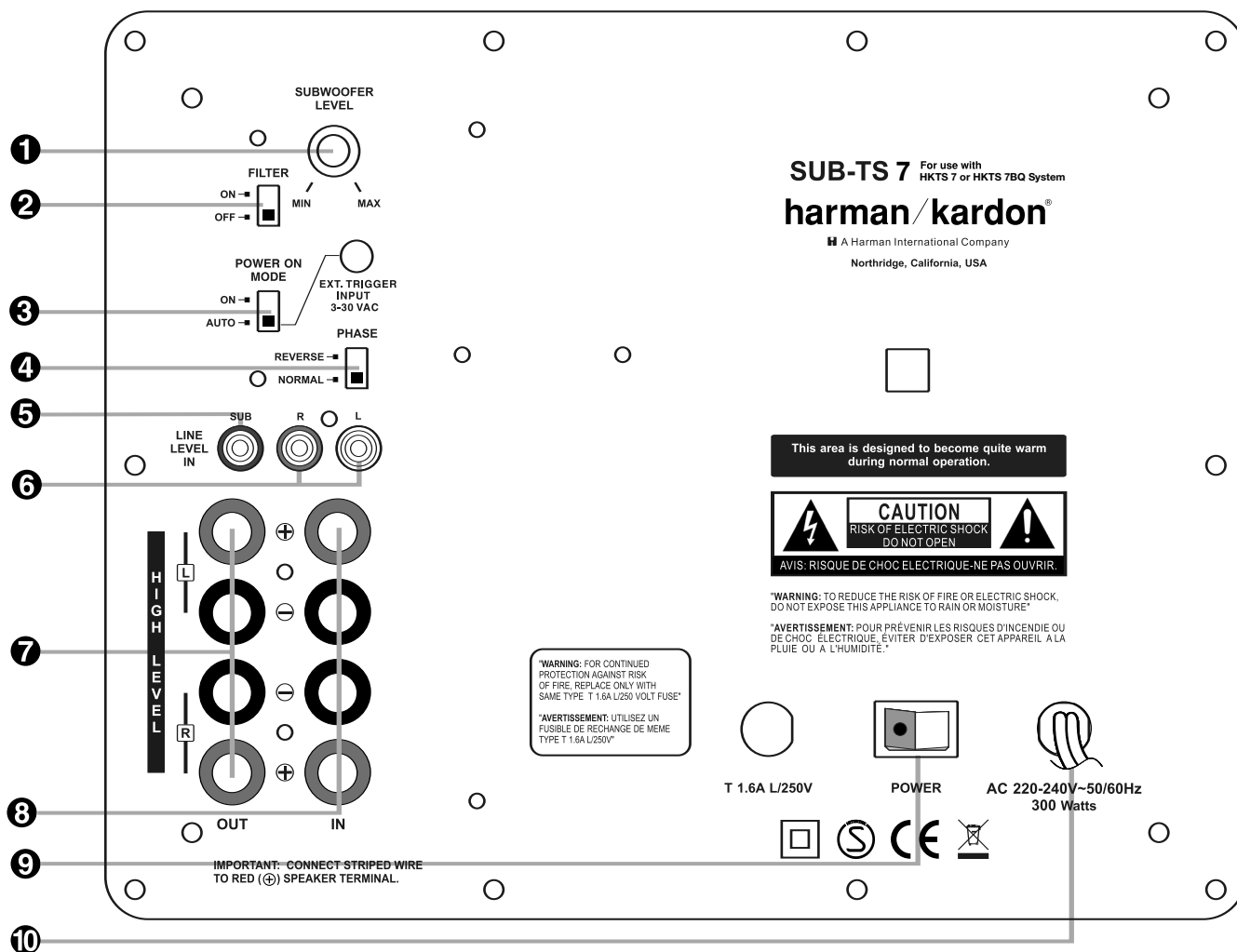
CAUTION: TO REDUCE THE RISK OF ELECTRIC SHOCK, DO NOT REMOVE COVER (OR BACK). NO USER-SERVICEABLE PARTS INSIDE. REFER SERVICING TO QUALIFIED SERVICE PERSONNEL.

The lightning flash with arrowhead symbol, within an equilateral triangle, is intended to alert the user to the presence of uninsulated "dangerous voltage" within the product's enclosure that may be of sufficient magnitude to constitute a risk of electric shock to persons.

The exclamation point within an equilateral triangle is intended to alert the user to the presence of important operating and maintenance (servicing) instructions in the literature accompanying the appliance.

WARNING: TO REDUCE THE RISK OF FIRE OR ELECTRIC SHOCK, DO NOT EXPOSE THIS APPLIANCE TO RAIN OR MOISTURE.

Rear Panel Connections



- 1 Subwoofer-Level Control
- 2 High-Cut (Low-Pass) Filter Switch
- 3 Trigger Input
- 4 Phase Switch

1 Subwoofer-Level Control: Volume may be adjusted using the **Subwoofer-Level Control**. Turn the control clockwise to increase the SUB-TS7's volume, or counterclockwise to decrease it.

2 High-Cut (Low-Pass) Filter Switch: Placing this switch in the **ON** position activates circuitry that cuts out all audio input signals above 120Hz. This allows the SUB-TS7 to focus its power on reproducing the low-frequency portion of the signal, avoiding inefficiency and distortion. Engage this filter when using the **Speaker-Level Inputs 8**, or when using the **Line-Level Full-Range Inputs 6**, unless your receiver or processor processes its line-level output using a low-pass filter. The filter has no effect when the **Sub Input 5** is used.

- 5 Line-Level Subwoofer (SUB) Input
- 6 Line-Level Full-Range Inputs
- 7 Speaker-Level Outputs
- 8 Speaker-Level Inputs

3 Trigger Input: Some receivers or sound processors have a Trigger Output that sends a signal to the subwoofer to switch on or off. If your receiver has such a Trigger Output, connect it here. When placed in the **AUTO** position, and when the **Master Power Switch 9** is turned on, the subwoofer will automatically turn itself on or place itself in the Standby mode, depending on the status of your receiver or processor. When this switch is placed in the **ON** position, the SUB-TS7 will remain on, whether or not it is receiving an audio signal.

An LED located on top of the SUB-TS7 indicates whether the SUB-TS7 is in the On or standby state when used with the **Trigger On/Off Switch 3** in the **AUTO** position. The LED is lit blue to indicate that the SUB-TS7 is receiving an audio signal and is turned on, and the LED is lit amber to indicate that no signal is being received and the SUB-TS7 is in Standby mode.

- 9 Master Power Switch
- 10 AC Power Cord

When the **Trigger On/Off Switch 3** is in the **ON** position, the LED will be lit blue, whether or not an audio signal is present.

When the **Master Power Switch 9** is turned off, the LED goes dark, no matter which position the **Trigger On/Off Switch 3** is in.

4 Phase Switch: This switch determines whether the SUB-TS7 subwoofer's piston-like action moves in and out in phase with the main speakers. If the speakers were to play out of phase, the sound waves produced by the subwoofer would be cancelled out, reducing bass response. This phenomenon depends in part on the relative placement of the speakers in the room. In most cases, the **Phase Switch 4** should be left in the **NORMAL** position. However, it does no harm to experiment with the **Phase Switch 4**, and you may leave it in the position that maximizes bass response.

Rear Panel Connections

5 Line-Level Subwoofer (SUB) Input: Connect the subwoofer output of a receiver with digital surround sound decoding, such as Dolby* Digital or DTS®, to this input. This input bypasses the SUB-TS7's internal crossover circuitry, and should only be used with a filtered signal. If your receiver does not have digital decoding, you should use the **Line-Level Full-Range Inputs 6** instead.

6 Line-Level Full-Range Inputs: Connect the line-level subwoofer output or preamp output(s) of your receiver or amplifier to these inputs. If your receiver does not have a separate subwoofer output, use a Y-adaptor (not supplied) to bridge the receiver's preamp output to the main amp input for that channel, and connect the long end of the adaptor to the corresponding line-level input on the SUB-TS7. If your receiver has only a single subwoofer output, you may connect it to either the left or right line-level input on the SUB-TS7, and no Y-adaptor is needed.

7 Speaker-Level Outputs: If you are using the **Speaker-Level Inputs 8** on the SUB-TS7, you should connect these binding-post terminals to your front left and right speakers, remembering to maintain polarity by connecting the (+) terminal on the SUB-TS7 subwoofer to the (+) terminal on the speaker, and the (–) terminal on the SUB-TS7 subwoofer to the (–) terminal on the speaker. If you are not using the **Speaker-Level Inputs 8**, then connect your front left and right speakers directly to your receiver or amplifier. See pages 9 through 12 for further information on speaker connections.

8 Speaker-Level Inputs: Connect these binding-post terminals to the main left and right speaker terminals of your receiver or amplifier, if your receiver or amplifier does not have a line-level subwoofer output. Remember to maintain polarity by connecting the (+) terminal on the receiver/amplifier to the (+) terminal on the SUB-TS7 subwoofer, and the (–) terminal on the receiver/amplifier to the (–) terminal on the SUB-TS7 subwoofer.

9 Master Power Switch: Place this switch in the "•" position to power-on the SUB-TS7 subwoofer. The SUB-TS7 will then be either in the Standby mode or completely on, depending on the position of the **Trigger On/Off Switch 3**.

10 AC Power Cord: Make sure to plug this cord into an active, unswitched electrical outlet for proper operation of the SUB-TS7. The cord should not be plugged into the accessory outlets found on some audio components.

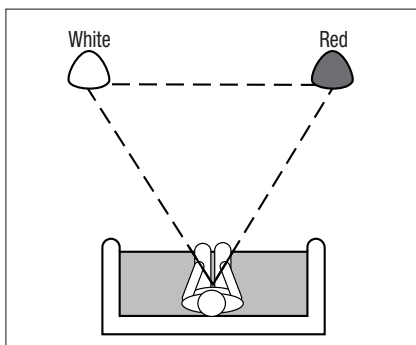
Speaker Placement

Color-Coding System

The HKTS 7 uses the channel color-coding system established by the Consumer Electronics Association to make setting up your home theater speaker system as easy as possible. Your system includes a set of colored stickers that may be placed near the speaker terminals of each of the four satellite speakers according to the key below. It doesn't matter which satellite speaker is used for any of the front or rear positions. (The center speaker and powered subwoofer are already color-coded for you.)

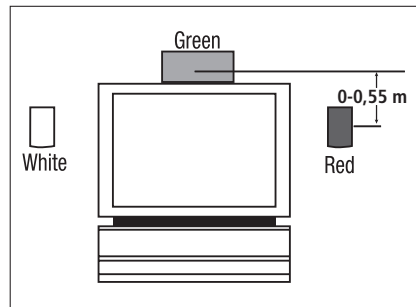
Speaker Position	Sticker (or Terminal) and Cable Color
Front Left	White
Front Right	Red
Center	Green
Surround Left	Blue
Surround Right	Gray
Subwoofer (LFE)	Purple

Front Speakers



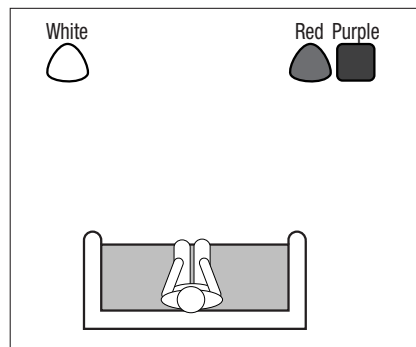
The front speakers should be placed the same distance from each other as they are from the listening position. They should be placed at about the same height from the floor as the listeners' ears will be, or they may be angled toward the listeners.

Center Channel Speaker



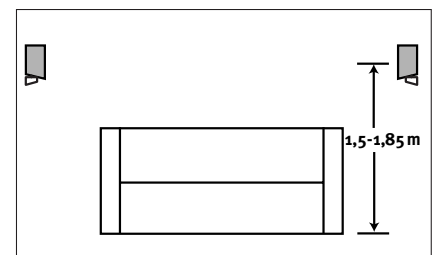
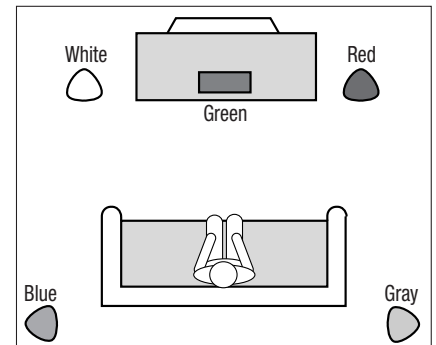
The center channel speaker should be placed slightly behind the front left and right speakers, and no more than two feet above or below the tweeters of the left and right speakers. It is often convenient to set the center speaker on top of the television set, as shown in the drawing.

Subwoofer



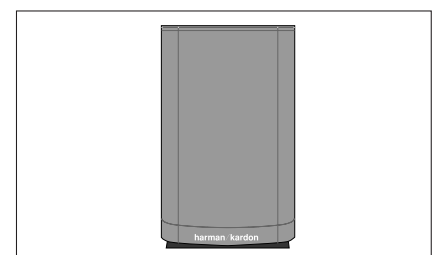
The low-frequency material reproduced by the subwoofer is mostly omnidirectional, and this speaker may be placed in a convenient location in the room. However, the best reproduction of bass will be heard when the subwoofer is placed in a corner along the same wall as the front speakers. Experiment with subwoofer placement by temporarily placing the subwoofer in the listening position and moving around the room until the bass reproduction is best. Place the subwoofer in that location.

Surround Speakers

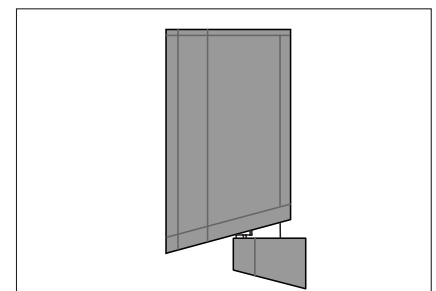


The two surround speakers should be placed slightly behind the listening position and, ideally, should face each other and be at a level higher than the listeners' ears. If that is not possible, they may be placed on a wall behind the listening position, facing forward. The surround speakers should not call attention to themselves. Experiment with their placement until you hear a diffuse, ambient sound accompanying the main-program material heard in the front speakers.

Satellites and Surrounds



The satellite speakers may be placed on a shelf.

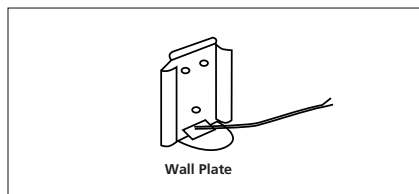
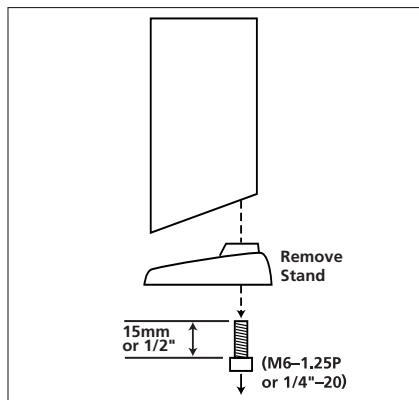


They may be wall-mounted using the supplied brackets.

Mounting Options

Wall-Mounting for Satellites

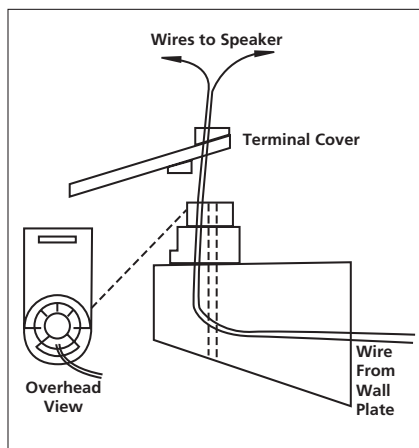
Unscrew the bolt that attaches the black shelf stand to the bottom of the speaker. Store the stand and bolt in a safe place in case they are needed for a future installation.



Mount the wall-bracket attachment plate on the wall in the desired location.

If possible, position the speakers so that the mounting screws (not included; use size #8) may be installed directly into a wooden wall stud. If that is not possible, use optional wall anchors that are rated to support at least twenty-five pounds. **The customer is responsible for proper selection and use of mounting hardware, available through hardware stores, to properly and safely wall-mount the speakers.**

Referring to the speaker connection instructions on pages 8 through 11, thread the appropriate speaker cable through the opening in the bottom of the attachment plate, and then through the back of the bracket as shown in the diagram.

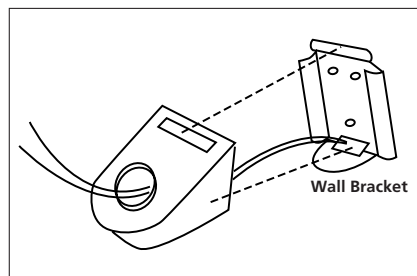


The bracket has two openings on top: a round screw hole, and an arc-shaped opening in front of it. The speaker cable should be threaded through the arc-shaped opening, not the screw hole.

Attach the bracket to the wall plate by inserting the tab at the top of the attachment plate into the slot on top of the bracket and snapping the bracket onto the attachment plate.

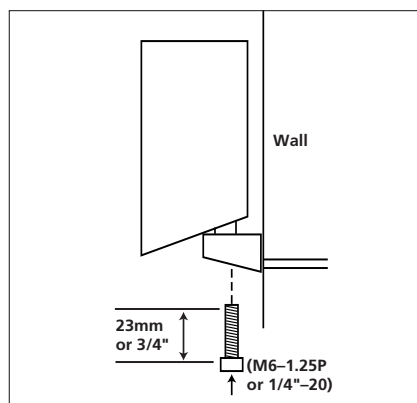
Thread the cable through the round opening in the terminal cover, and then insert the speaker wires into the terminals on the underside of the speaker, remembering to observe the correct polarity (see page 8).

Place the terminal cover over the opening on the underside of the speaker so that it fits flush against the speaker and covers the terminals, with its round opening exposing the threaded insert. The bracket fits through the round opening in the terminal cover.



Insert the supplied bracket bolt up through the bottom of the bracket and terminal cover, and screw it into the threaded insert on the underside of the speaker. The bolt should be snug, but not so tight as to prevent the bracket from pivoting.

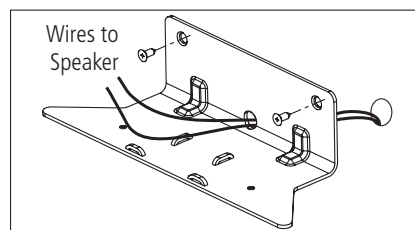
The wall-mounted speaker may be pivoted from side to side; however, the bracket is not designed to tilt up or down, and attempting to tilt it will damage the bracket and possibly the wall, which would not be covered by your warranty.



Wall-Mounting for the Center Speaker

Remove the two black rubber patches from the bottom of the center speaker. Keep the patches in a safe place in case they are needed for a future installation.

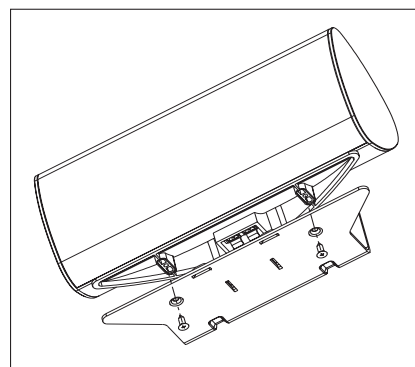
The back of the bracket has two small round screw holes on each side, and a large opening for the cable.



Position the bracket in such a way that the large hole for the cable is in front of the hole in the wall that holds the cable. Thread the cable through the hole and fix the bracket on the wall.

The mounting screws (not included; use size #8) may be installed directly into a wooden wall stud. If that is not possible, use optional wall anchors that are rated to support at least twenty-five pounds. The customer is responsible for proper selection and use of mounting hardware, available through hardware stores, to properly and safely wall-mount the center.

Insert the appropriate center speaker wires into the terminals on the backside of the center, remembering to observe the correct polarity (see page 8). Place the center speaker on the wall-bracket and use the enclosed screws to fix the center speaker on the bracket from the bottom.



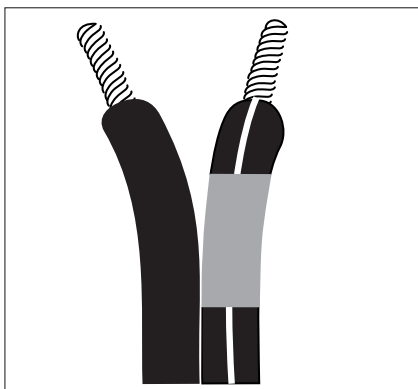
The wall-bracket cannot be pivoted from side to side. The bracket is not either designed to tilt up or down, and attempting to tilt it will damage the bracket and possibly the wall, which would not be covered by your warranty.

Speaker Connections

Speaker-Level Connection Guide

IMPORTANT NOTE: Before making speaker connections, be certain that your receiver or audio power amplifier is turned off and preferably unplugged from its AC power source. The SUB-TS7 subwoofer should not be connected to an AC power source until all speaker wire connections have been made.

Speakers and electronics terminals have corresponding (+) and (–) terminals. Most manufacturers of speakers and electronics, including Harman Kardon, use red to denote the (+) terminal and black for the (–) terminal.



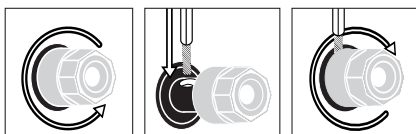
Newer Harman Kardon receivers conform to the CEA standard and therefore use a color other than red or black for the (+) terminal to indicate some speaker positions: e.g., surround left. Although the HKTS 7 system has red and black collars on the individual speaker terminals to denote the positive and negative connections, your system includes a colored band on the positive lead at both ends of every speaker cable and a matching colored sticker for each of the four satellite speakers, conforming to the key on page 6. The center speaker has a green (+) terminal, and the subwoofer has a purple SUB input jack. This system is intended to help you ensure that the speaker in each location is connected to the correct terminals on your receiver or amplifier.

The (+) lead of the speaker wire is indicated with a stripe and has the colored band corresponding to the speaker's position. It is important to connect all speakers identically: (+) on the speaker to (+) on the amplifier and (–) on the speaker to (–) on the amplifier. Wiring "out of phase" results in thin sound, weak bass and a poor stereo image.

With the advent of multichannel surround-sound systems, connecting all of the speakers in your system with the correct polarity remains equally important in order to preserve the proper ambience and directionality of the program material.

To connect the supplied speaker wires to the satellite and center speaker terminals located on the bottom of each speaker, press the red or black tab, insert the bare end of the wire into the hole, and release the tab. Gently tug on the wire to make sure that it is fully inserted.

For the best performance, Harman Kardon recommends that the subwoofer be connected using either the **Line-Level Subwoofer (SUB) Input 5** or the **Line-Level Full-Range Inputs 6**. However, if the application requires the use of the speaker-level connections for the subwoofer, unscrew the binding-post collar until the pass-through hole in the center post is visible under the collar. Insert the bare end of the wire through this hole; then screw the collar down until the connection is tight. The hole in the center of each collar is intended for use with banana-type connectors.



Speaker Connections

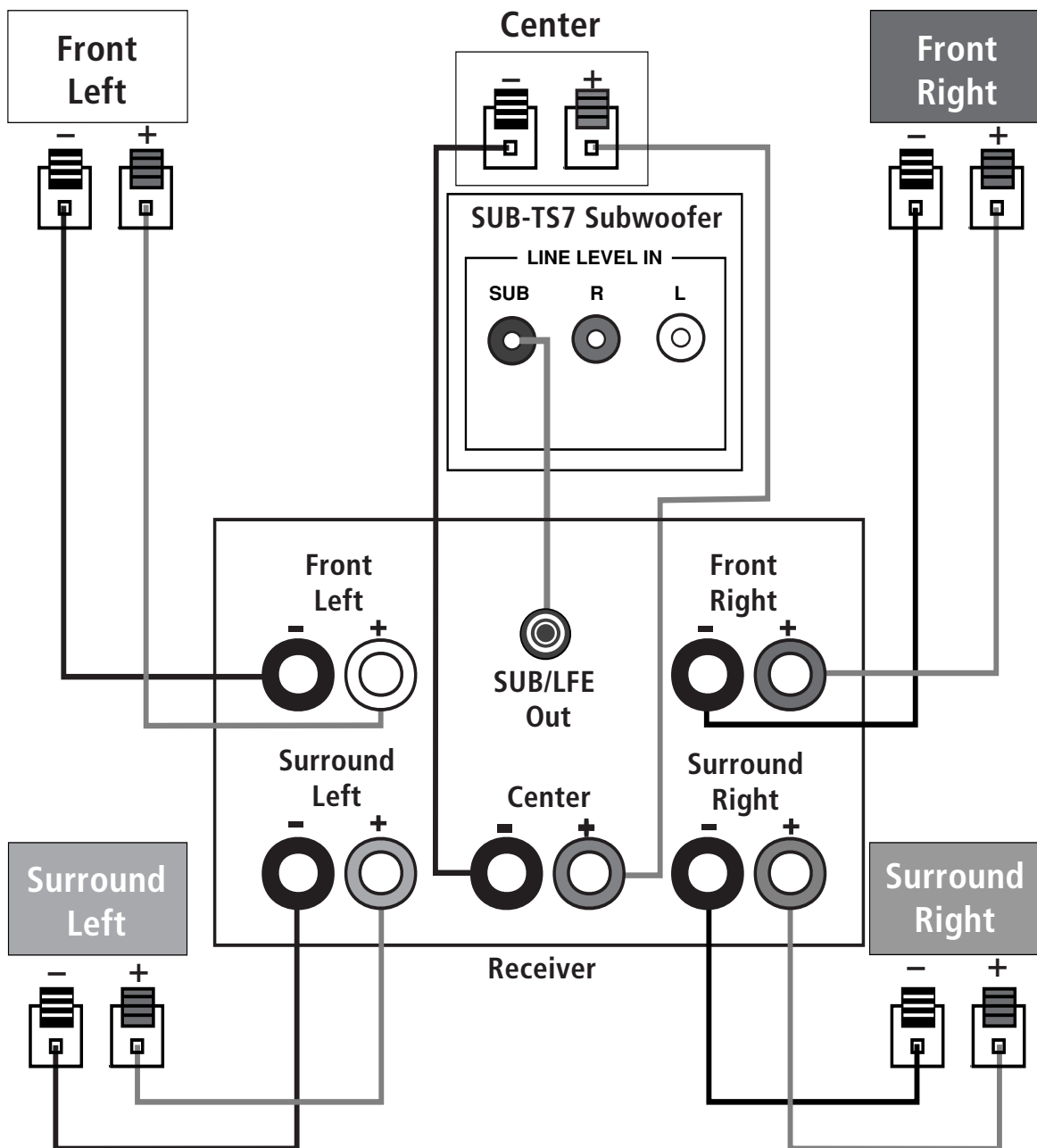
Dolby Digital or DTS® (or Other Digital Surround Mode) Connection

Use this installation method for Dolby Digital, DTS® or other digital surround processors:

Use the line-level input jack marked "SUB" for the Low-Frequency Effects channel. Connect this

jack to the LFE output or subwoofer output on your receiver or amplifier. Connect each speaker to the corresponding speaker terminals on your receiver or amplifier.

Make sure that you have configured your surround-sound processor for "Subwoofer On." The front left, front right, center and rear speakers should all be set to "Small."



Speaker Connections

Dolby Pro Logic (Non-Digital) – Line Level

Use this installation method for Dolby Pro Logic applications (not Dolby Digital, DTS® or other digital processing), where the receiver/processor is equipped with a subwoofer output, or a volume-controlled preamp (line-) level output:

Use RCA-type patch cords to connect the line-level subwoofer output on your receiver or to amplifier either the left or right line-level input on the subwoofer.

Use both the left and right inputs on the subwoofer if your receiver or processor has both left and right line-level outputs. In that case, you will need to supply a second interconnect cable.

If your receiver is equipped with line-level outputs but does not have a separate subwoofer output, use a Y-adaptor (not supplied) to bridge the receiver's preamp output to the main amp input for that channel, and connect the long end of the adapter to the corresponding line-level input on the SUB-TS7.

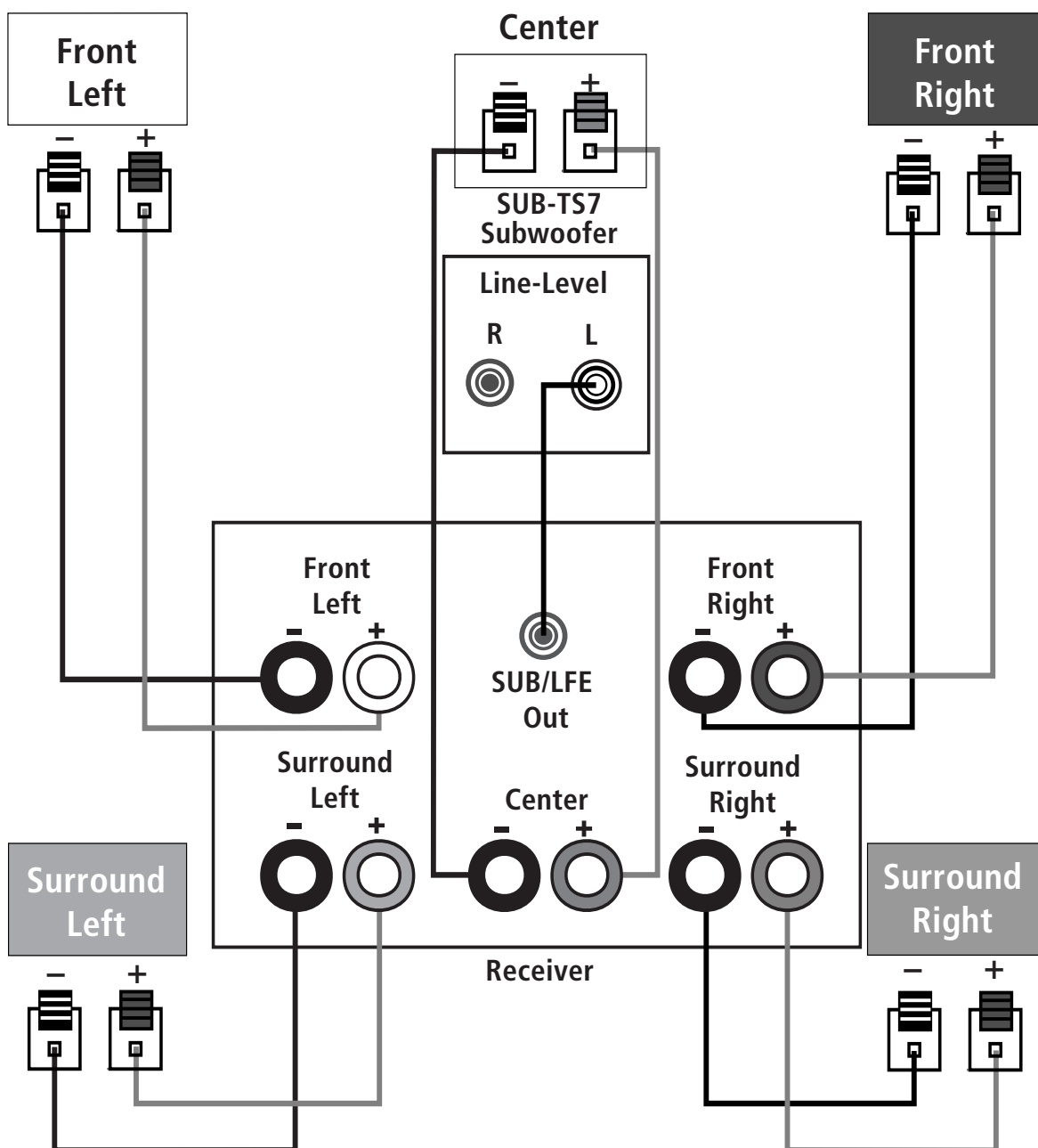
IMPORTANT: Do not use the **Sub Input 5** on the subwoofer with Dolby Pro Logic processors.

If your receiver/processor has a built-in low-pass-crossover filter for the subwoofer output, you may use the **Sub Input 5** to bypass the subwoofer's internal crossover.

Connect each speaker to the corresponding speaker terminals on your receiver or amplifier.

Make sure that you have configured your surround sound processor for "Subwoofer On." The front left, front right, center and surround speakers should all be set to "Small."

When all connections have been made, plug the AC power cord on the subwoofer into an AC outlet.



Speaker Connections

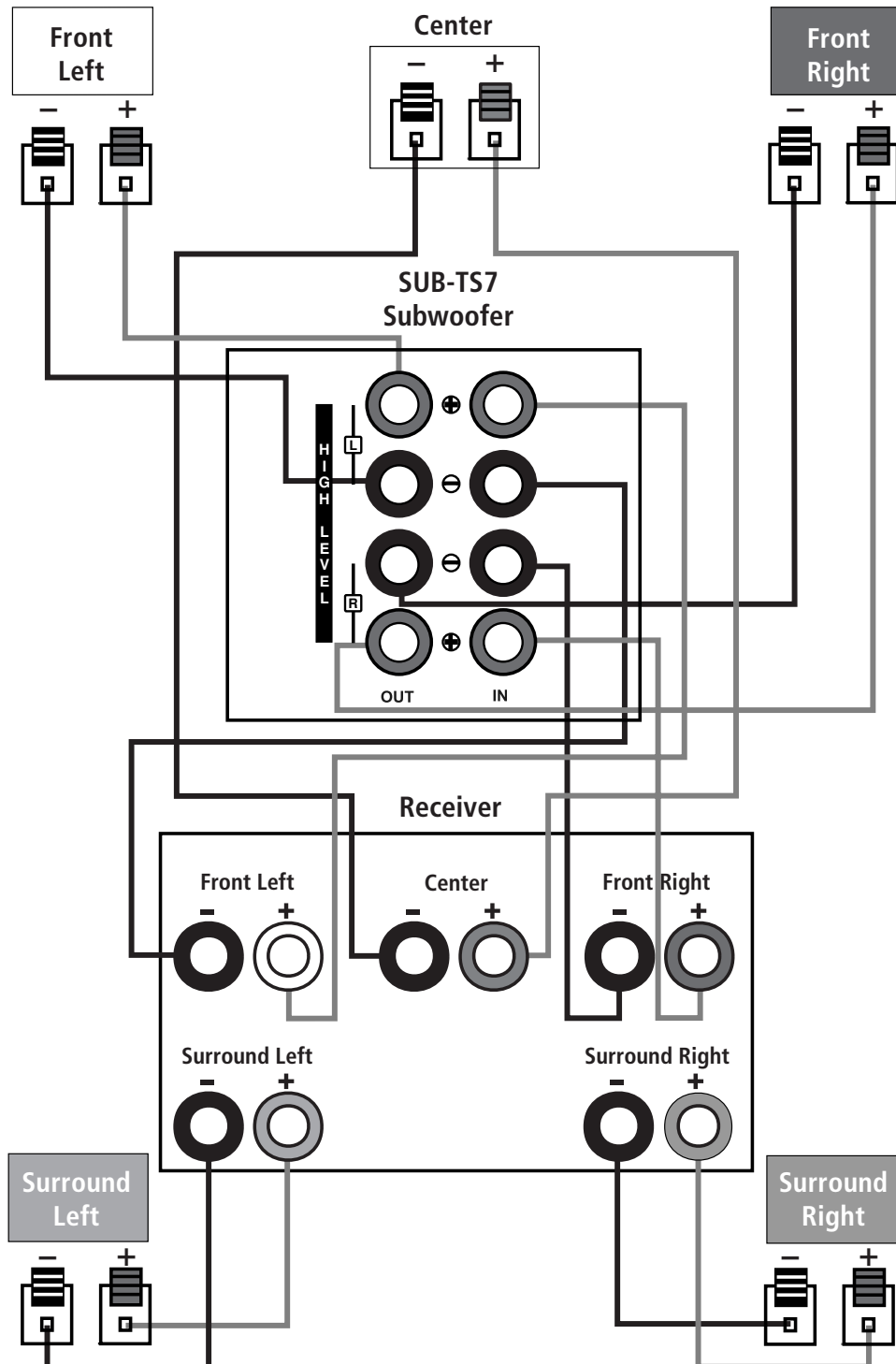
Dolby* Pro Logic* (Non-Digital) – Speaker Level

Use this installation method for Dolby Pro Logic applications (not Dolby Digital, DTS® or other digital processing), where the receiver/processor does not have a subwoofer output, or a volume-controlled preamp (line-) level output:

Connect your receiver or amplifier's front left and right speaker terminals to the left and right terminals on the subwoofer that are marked "High Level In."

Connect the left and right terminals on the subwoofer that are marked "High Level Out" to the corresponding terminals on the back of your front left and right speakers.

Connect your receiver or amplifier's center, left and right surround-speaker terminals to the corresponding terminals on the back of your center, left and right surround speakers.



Operation

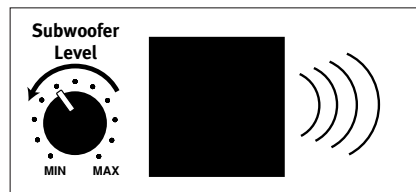
Move the Master Power switch (marked "Power" ⑨) to the "•" (On) position to use the subwoofer. The SUB-TS7 subwoofer will automatically turn itself on or go into standby mode depending on whether or not a signal is being sent to it by your receiver or surround processor, and provided that the **Trigger On/Off Switch** ③ is moved down so that it is in the "AUTO" position. When your receiver or amplifier is off, or is not sending program material to the subwoofer, the subwoofer will be in standby mode and the LED Indicator on the top of the subwoofer will turn amber. When the subwoofer senses an audio signal, it will automatically turn itself on and the LED Indicator will turn blue. If the subwoofer does not sense a signal after approximately twenty minutes, it will automatically go into standby mode.

When the **Trigger On/Off Switch** ③ is switched to the "On" position, the subwoofer will remain on, whether or not program material is playing and the LED Indicator will remain lit blue.

If you will be away from home for an extended period of time, or if the subwoofer will not be used, switch the **Master Power switch** ⑨ to the OFF position.

Volume

Volume can be adjusted using the **Subwoofer Level Control** ① (above), as shown below. Turn the control knob clockwise to increase the volume of the subwoofer, and counterclockwise to decrease the subwoofer's volume.



Additional Bass Adjustments

In addition to the volume adjustments described above, the SUB-TS7 subwoofer includes a **Phase Switch** ④ and a **Filter Switch** ② that can be used to adjust the bass response to suit your listening environment or taste.

In most situations, the **Phase Switch** ④ should be left in the **NORMAL** position.

If you suspect that the subwoofer is playing out of phase with the other speakers, which would tend to diminish bass response, try placing this switch in the **REVERSE** position. There is no harm in experimenting, and you may return the switch to the **NORMAL** position at any time. If you rearrange your room and reposition the speakers, it would be a good idea to check whether they are in phase by flipping this switch.


The **High-Cut (Low-Pass) Filter Switch** ② limits the frequencies of the audio signal inputted to the subwoofer to the low frequencies that the subwoofer reproduces best. This allows the subwoofer to perform more efficiently, and with superior bass reproduction, minimizing distortion that might occur if the subwoofer attempted to reproduce higher frequencies. This switch should be left in the **ON** position, **except**:

1. When the **Sub Input** ⑤ is being used, in which case it has no effect, or
2. When the **Speaker-Level Inputs** ⑧ or the **Line-Level Full-Range Inputs** ⑥ are being used with a crossover or filter aboard the receiver or processor.

In these two circumstances, place the switch in the **OFF** position.

Troubleshooting

If there is no sound from any of the speakers:

- Check that receiver/amplifier is on and a source is playing.
- Check that the powered subwoofer is plugged in, its **Power switch**  is switched on to the "ON •" position.
- Check all wires and connections between receiver/amplifier and speakers. Make sure all wires are connected. Make sure none of the speaker wires are frayed, cut or punctured.
- Review proper operation of your receiver/amplifier.

If there is no sound coming from one speaker:

- Check the "Balance" control on your receiver/amplifier.
- Check all wires and connections between receiver/amplifier and speakers. Make sure all wires are connected. Make sure none of the speaker wires are frayed, cut or punctured.
- In Dolby Digital or DTS® modes, make sure that the receiver/processor is configured so that the speaker in question is enabled.

If there is no sound from the center speaker:

- Check all wires and connections between receiver/amplifier and speaker. Make sure all wires are connected. Make sure none of the speaker wires are frayed, cut or punctured.
- If your receiver/processor is set in Dolby Pro Logic mode, make sure the center speaker is not in phantom mode.
- If your receiver/processor is set in Dolby Digital or DTS® mode, make sure the receiver/processor is configured so that the center speaker is enabled.

If the system plays at low volumes but shuts off as volume is increased:

- Check all wires and connections between receiver/amplifier and speakers. Make sure all wires are connected. Make sure none of the speaker wires are frayed, cut or punctured.
- If more than one pair of main speakers is being used, check the minimum impedance requirements of your receiver/amplifier.

If there is low (or no) bass output:

- Make sure the connections to the left and right "Speaker Inputs" have the correct polarity (+ and -).
- Make sure the subwoofer is plugged into an active electrical outlet.
- Make sure the powered subwoofer is plugged in and switched on.
- In Dolby Digital or DTS® modes, make sure your receiver/processor is configured so that the subwoofer and LFE output are enabled.

If there is no sound from the surround speakers:

- Check all wires and connections between receiver/amplifier and speakers. Make sure all wires are connected. Make sure none of the speaker wires are frayed, cut or punctured.
- Review proper operation of your receiver/amplifier and its surround-sound features.
- Make sure the movie or TV show you are watching is recorded in a surround-sound mode. If it is not, check to see if your receiver/amplifier has other surround modes you may use.
- In Dolby Digital or DTS® modes, make sure your receiver/processor is configured so that the surround speakers are enabled.
- Review the operation of your DVD player and the jacket of your DVD to make sure that the DVD features the desired Dolby Digital or DTS® mode, and that you have properly selected that mode using both the DVD player's menu and the DVD disc's menu.

Specifications

HKTS 7 System

Frequency Response
35Hz – 20kHz (-6dB)

SAT-TS7 Satellites

Recommended Power
10 – 80 Watts

Impedance
8 Ohms nominal

Sensitivity
86dB @ 1 Watt/1 meter

Tweeter
One 1/2" dome, video-shielded

Midrange
One 3" driver, video-shielded

Dimensions (H x W x D)
167mm x 100mm x 92mm

Weight
0.6kg

CEN-TS7 Center

Recommended Power
10 – 80 Watts

Impedance
8 Ohms nominal

Sensitivity
86dB @ 1 Watt/1 meter

Tweeter
One 3/4" dome, video-shielded

Midrange
Dual 3" drivers, video-shielded

Dimensions (H x W x D)
102mm x 241mm x 92mm

Weight
1kg

SUB-TS7 Subwoofer

Amplifier
100 Watts RMS

Bass
10" Woofer, bass-reflex enclosure

Dimensions (H x W x D)
479mm x 340mm x 340mm

Weight
15kg

All features and specifications are subject to change without notice.

Harman Kardon and Power for the Digital Revolution are registered trademarks of Harman International Industries, Incorporated.

* Trademarks of Dolby Laboratories.

DTS is a registered trademark of Digital Theater Systems, Inc.

harman/kardon®

H A Harman International® Company
250 Crossways Park Drive, Woodbury, New York 11797
www.harmankardon.com
Harman Consumer Group, Inc.:
2, Route de Tours, 72500 Château-du-Loir, France
© 2007 Harman Kardon, Incorporated
Part 406-000-01009

Free Manuals Download Website

<http://myh66.com>

<http://usermanuals.us>

<http://www.somanuals.com>

<http://www.4manuals.cc>

<http://www.manual-lib.com>

<http://www.404manual.com>

<http://www.luxmanual.com>

<http://aubethermostatmanual.com>

Golf course search by state

<http://golfingnear.com>

Email search by domain

<http://emailbydomain.com>

Auto manuals search

<http://auto.somanuals.com>

TV manuals search

<http://tv.somanuals.com>