

Heat-Zone-240V Air Duct Kit

INSTALLATION AND OPERATION INSTRUCTIONS



Hearth Technologies, Inc.
7571 215th Street West
Lakeville, MN 55044 USA

Approvals

The HEAT-ZONE-240V air duct kit is approved for use on Heat & Glo Models XLR-AU, 6000, 350 and 550 series gas heaters.

Introduction

The HEAT-ZONE-240V accessory kit conveys warm air from the heater through air duct(s) to remote locations in the same room or other rooms of the building. See Figures 1 and 2. One or two HEAT-ZONE-240V kits can be installed on the heater.

Preliminary Preparation

1. Contents of kit:

- 6 meters of 152 mm round duct
- Fan housing assembly
- Junction box
- Air register
- Register adapter frame
- Heater duct collar
- Duct adapter - (round to oval)
- Hardware
- 2166-191 IPI Plus auxiliary jumper

NOTICE! If any parts are missing or damaged, contact your dealer before starting installation. DO NOT install a damaged kit.

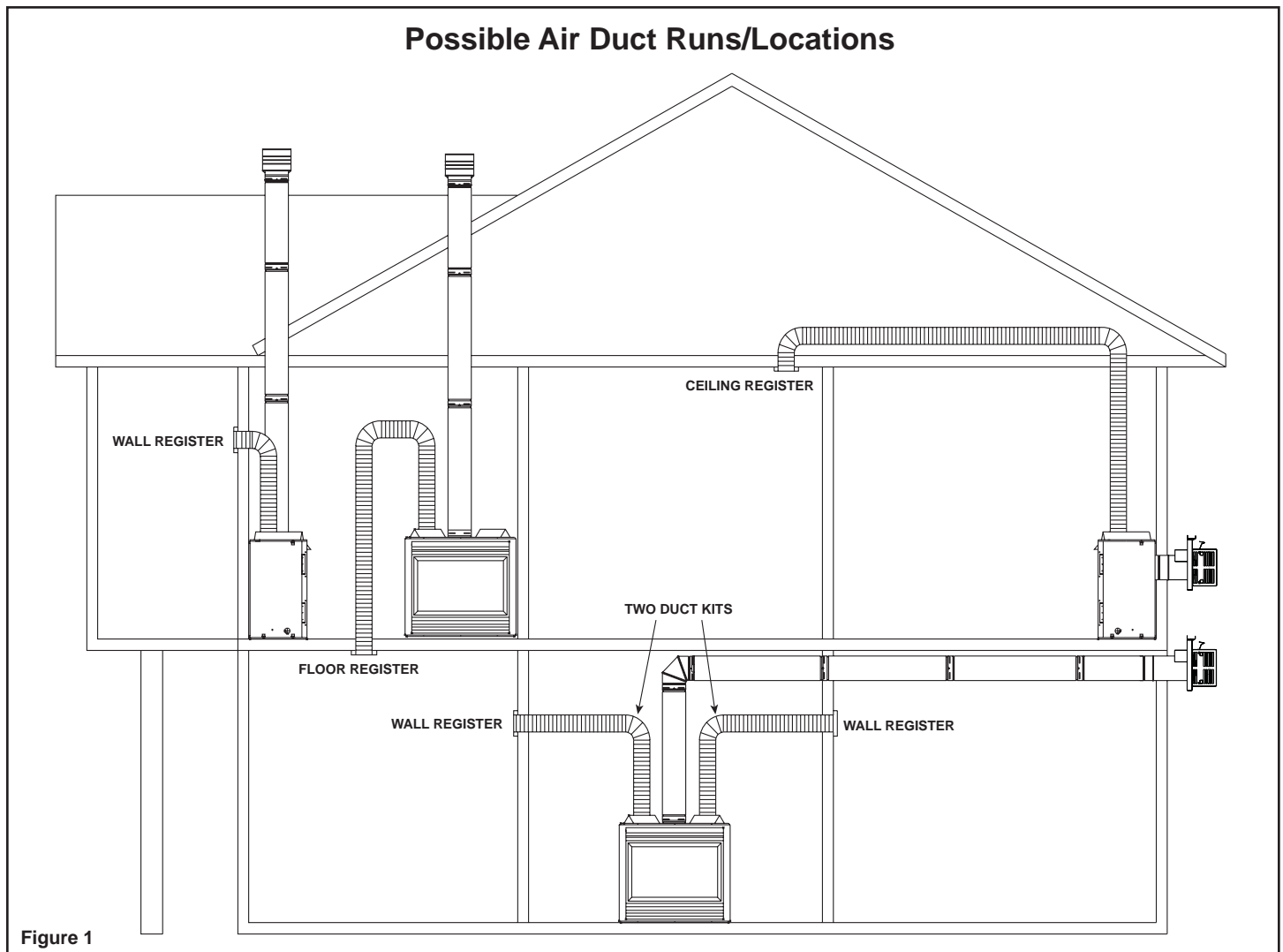


Figure 1

Possible Air Duct Runs/Locations

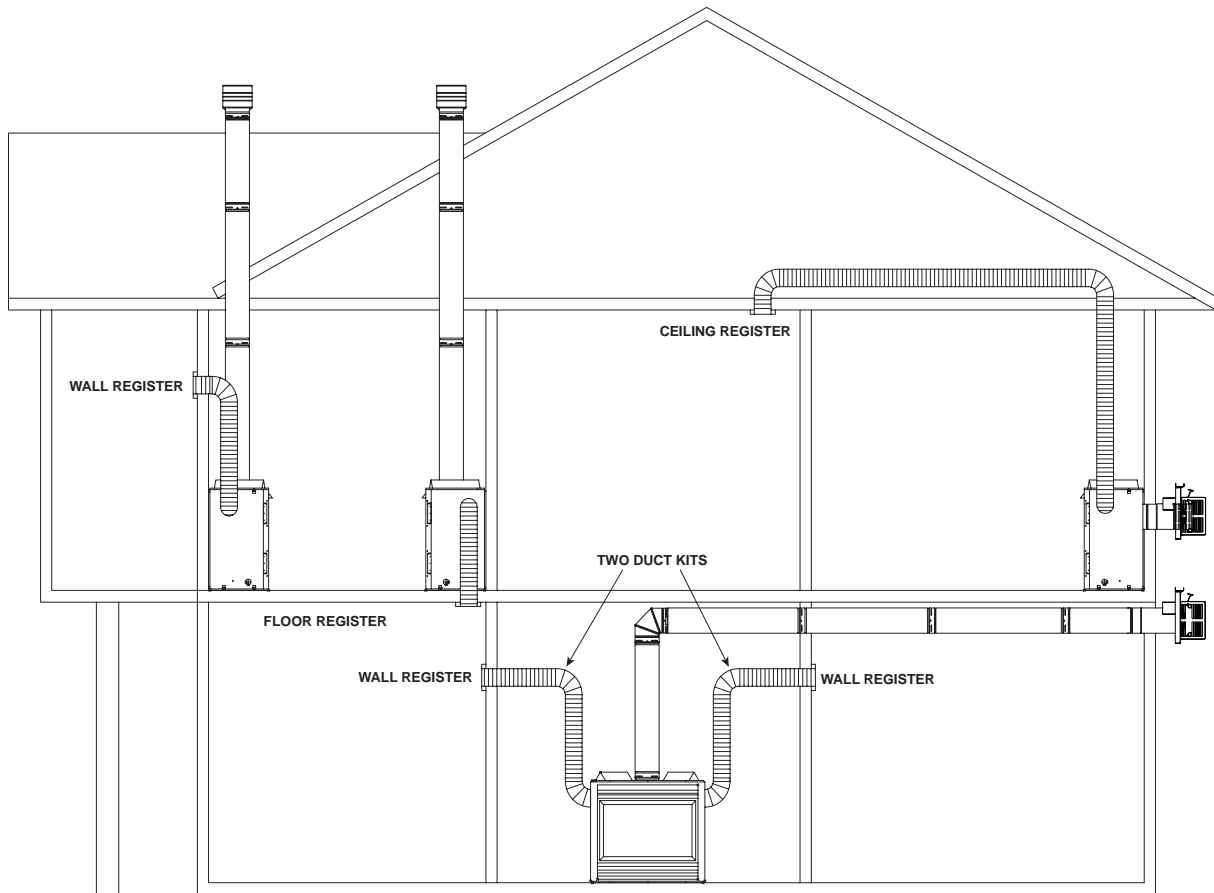


Figure 2

2. The Heat-Zone 240V kit is tested and safe when installed in accordance with this installation manual. This kit is carefully engineered and must be installed only as specified. Modifying the kit or any of its components will void the warranty, and may possibly cause a fire hazard.
3. **CAUTION:** Installation of this appliance should only be carried out by an authorized person. All relevant codes and regulations laid down by the gas piping authorities, municipal building regulations, electrical wiring regulations and the requirements of the AS5601 Gas Installation code must be observed.
4. Plan the location of the heater and the warm air duct run(s).

MAXIMUM Duct Run = 6 M for useful heat output.

MINIMUM Duct Run = NA - for runs out from the heater to adjacent room OR down to the room below.

MINIMUM Duct Run = 787 mm top of heater to room above.

Installation

1. Remove the cover plate from the side of the heater and discard it.
2. Center the duct collar around the exposed hole and attach it to the heater with 3 screws. **NOTE:** Do this **BEFORE** final positioning of the heater. See Figure 3.

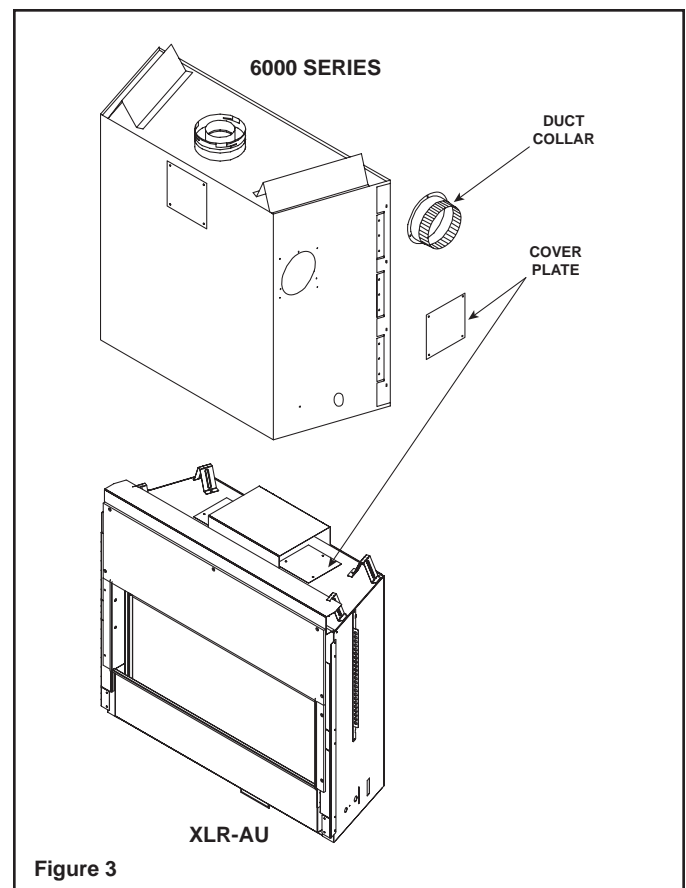


Figure 3

- Determine the location for the air register/fan housing assembly. Cut a 127 x 346 mm hole between framing members (wall studs or floor joists).
- Mount and secure the fan housing assembly to framing members so the front surface is 6 mm below the finished wall or floor surface. Use the adjustable mounting brackets and screws provided in the kit. See Figure 4.
NOTE: The brackets can be rotated 180° and mounted to the back side of the 2 x 4 if necessary.

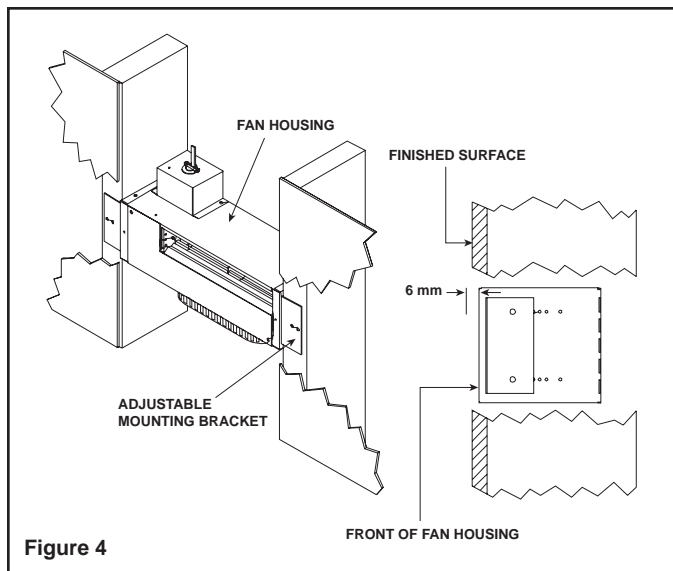


Figure 4

NOTE: If the fan housing is installed in a 2 x 4 wall, the front of the housing will protrude approximately 13 mm out of the wall. See Figure 5.

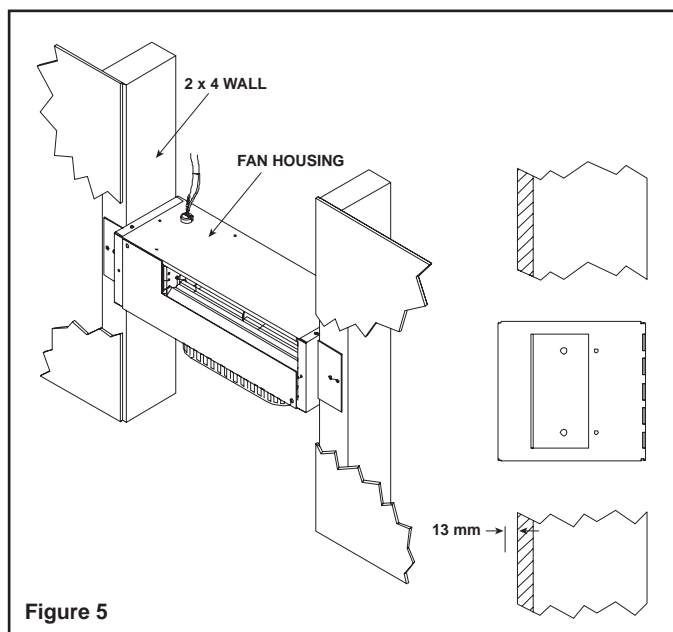
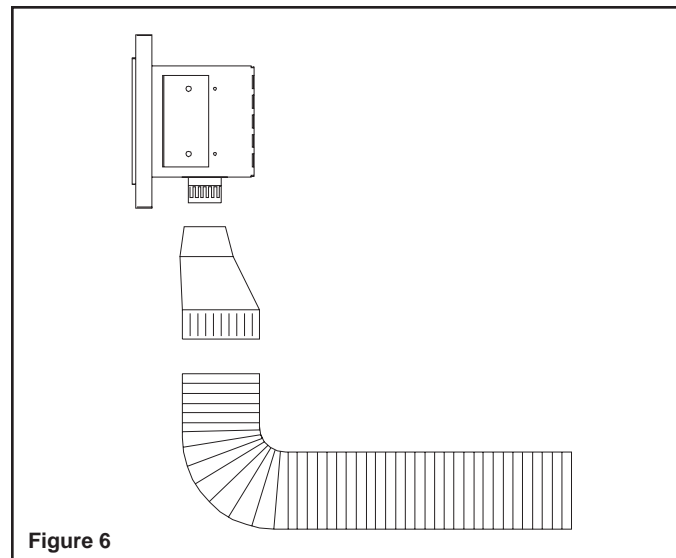


Figure 5

- Install the air duct run. **NOTE:** Fold outer poly layer of flexible duct back to maintain clearance to combustibles on the fireplace. Secure liner to the collar with clamp.



ROUND AIR DUCT: Attach the 152 mm round air duct (supplied in the kit) to the heater collar and run the duct to the fan housing. Attach the round-to-oval adapter to the fan housing and the air duct to the adapter. See Figure 6.

OVAL AIR DUCT: Attach the round-to-oval adapter to the heater starting collar and a 152 mm oval duct to the adapter. Complete the duct run and attach the oval duct to the fan housing. **NOTE:** 152 mm metal oval air duct is NOT provided with this kit but can be purchased from a heating or air conditioning ventilation supplier.

ROUND and OVAL DUCT: A combination of 152 mm round and 152 mm oval air duct can be used in the duct run. Oval duct components must be purchased from a heating or air conditioning ventilation supplier.

NOTE: Support duct at intervals of no greater than four feet with no more than 1/2 in. sag between supports or as required per local code. Secure the duct so that clearance to the outer wrap of the fireplace is maintained.

- Install a wall switch in a convenient location. This switch will control the HEAT-ZONE-240V fan operation. When using the AUX300CE in the IPI Plus system, the AUX1 or AUX2 can control the output and ON/OFF function in place of a separate wall switch. Note that the RC300 remote is needed.
- Wire 240 VAC service TO the wall switch and FROM the wall switch to the fan junction box. Use wire connectors to secure the 240 VAC service wires to the hot and neutral fan wires and screw the 240 VAC ground wire to the fan junction box. See Figure 8 for isolated control wall switch. See Figure 9 for IPI Plus with auxiliary control.
- Screw the fan junction box to the fan housing.
- Screw the register adapter frame and the air register to the fan housing. See Figure 7.
- Complete the heater installation per instructions.

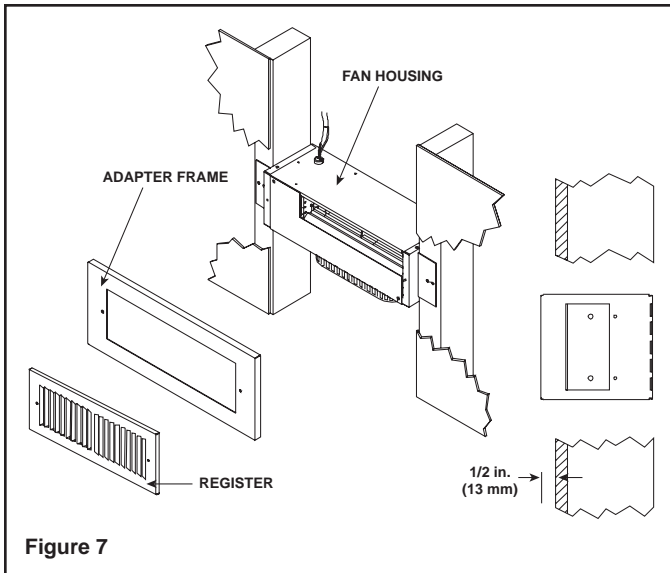


Figure 7

Operation

1. Start the heater per instructions and allow it to warm up.
2. Turn the wall switch "ON" to start air flow at the air duct register or use RC300 remote to turn on blower.

Maintenance

1. Service and maintain the gas heater per instructions.
2. Keep the air register(s) clean and free of any blockage.
3. Reference IPI Plus instructions with remote control for fan auxiliary control.

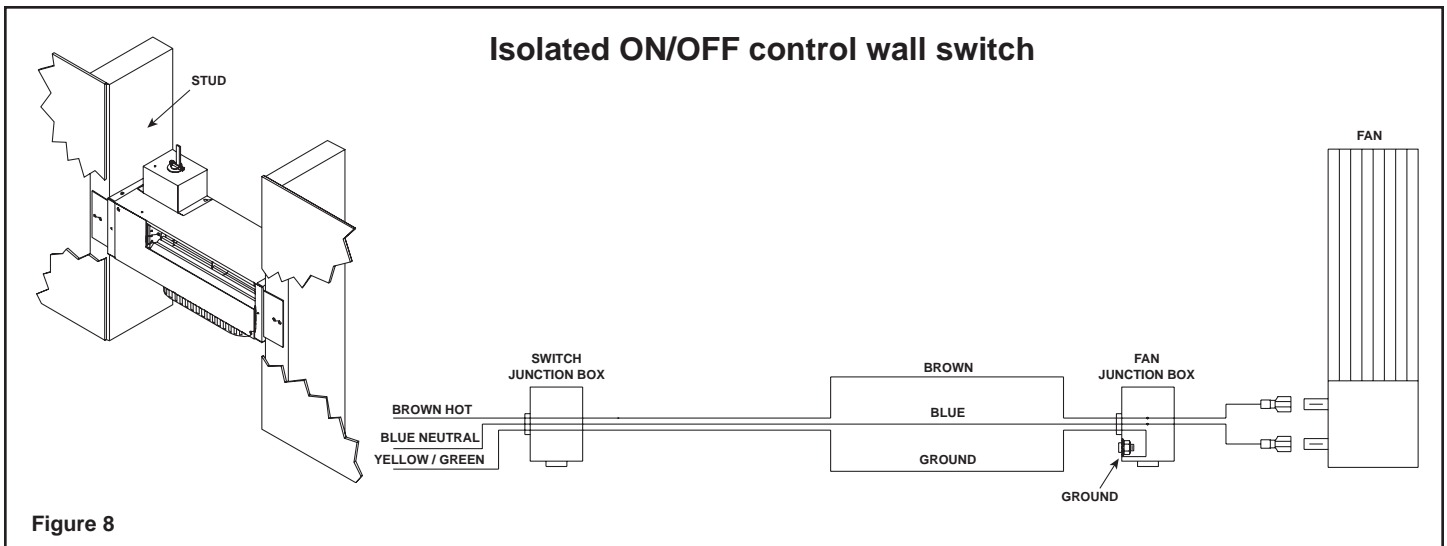


Figure 8

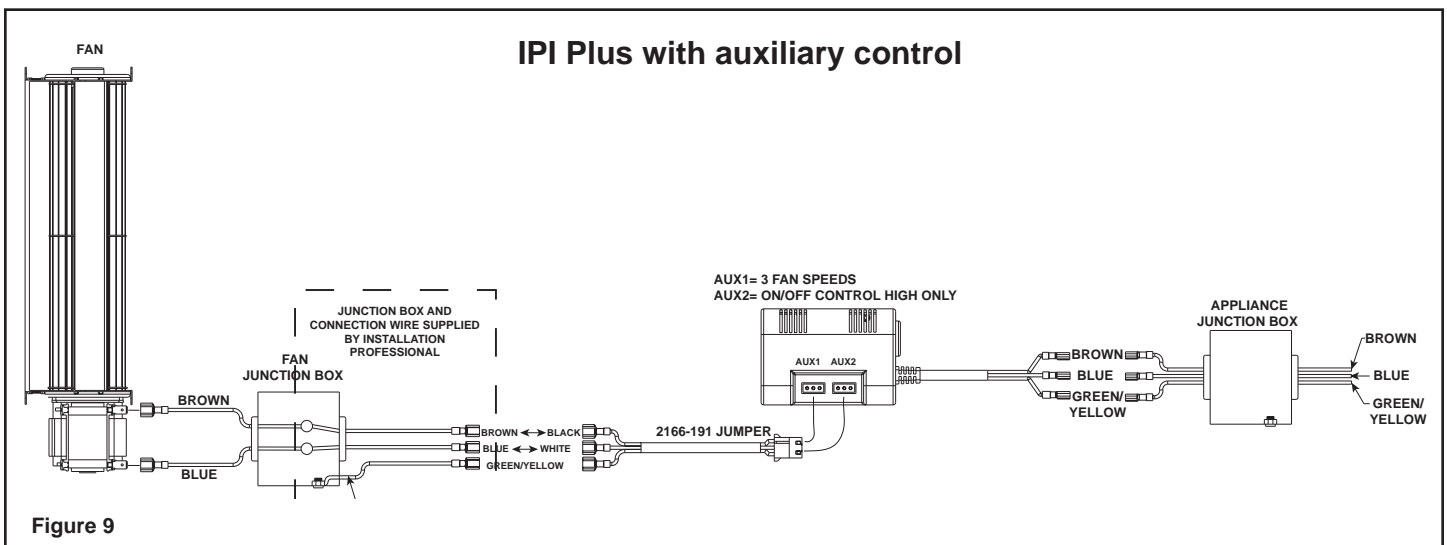


Figure 9

Free Manuals Download Website

<http://myh66.com>

<http://usermanuals.us>

<http://www.somanuals.com>

<http://www.4manuals.cc>

<http://www.manual-lib.com>

<http://www.404manual.com>

<http://www.luxmanual.com>

<http://aubethermostatmanual.com>

Golf course search by state

<http://golfingnear.com>

Email search by domain

<http://emailbydomain.com>

Auto manuals search

<http://auto.somanuals.com>

TV manuals search

<http://tv.somanuals.com>