

Accelerator

Exceptional Value and a Choice of Sizes and Features

- Two firebox opening sizes (36" and 42") give more options and price selections
- Choice of **heat circulating or radiant versions**
- Substantial firebox depth (19-3/4") provides **greater visual hearth area**
- The circulating design allows the addition of a **broad range of optional trim and performance accessories**
- **Full-textured refractory lining** in choice of herringbone or traditional pattern, finished in a dusky rose color
- A hearth extension is required
- SL300 Series venting
- Tested and listed to **UL safety standards**
- Covered by Heatilator Warranty**

Options*



DM Doors



Herringbone

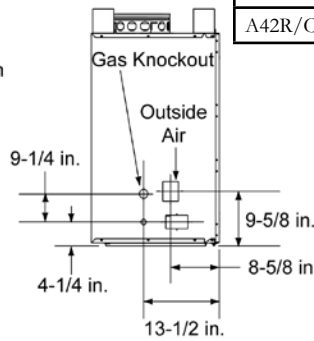
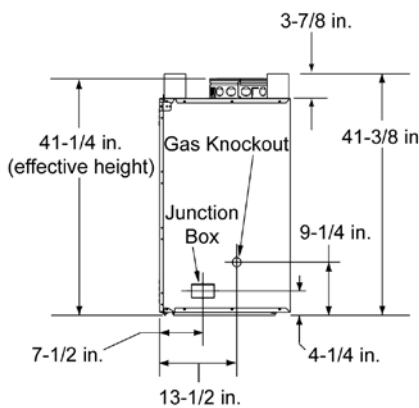
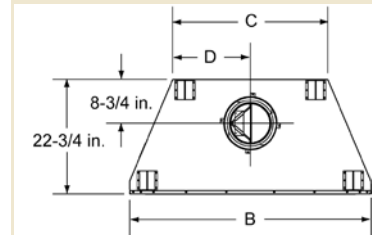
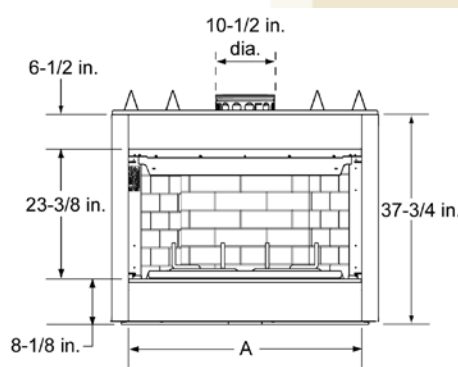
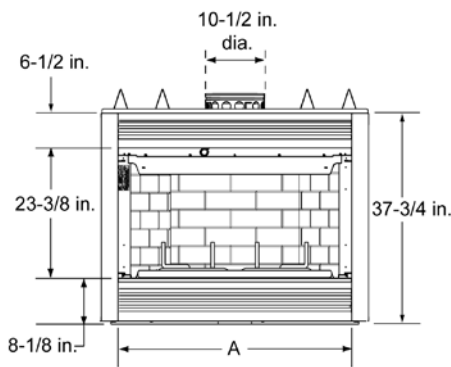


Traditional



Fireside Gas Logs

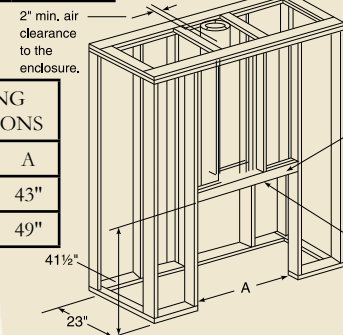
Product Dimensions



PRODUCT DIMENSIONS				
	A	B	C	D
A36R/C	36"	42"	28-1/4"	14-1/8"
A42R/C	42"	48"	30-7/8"	15-1/2"

Framing Dimensions

FRAMING DIMENSIONS	
	A
A36R/C	43"
A42R/C	49"



Note: Fireplace header cannot be positioned until after the fireplace assembly is in place.

41 1/2" header height. Use only noncombustible material below the top of the front standoffs.

AVAILABLE FROM

heatilator
The first name in fireplaces

a brand of Hearth & Home Technologies Inc.

1915 West Saunders Street • Mt. Pleasant, Iowa 52641

800-927-6841 • heatilator.com

The information provided in this literature is for planning purposes only and subject to change. Please consult the installation manual for actual installation.

*Please consult the MSRP book for a complete list of optional accessories. Circulating photo on cover shown with traditional refractory, Phillips Hall mantel and custom marble. Radiant photo on cover shown with DM doors, Mt. Vernon mantel and custom marble.

**For full warranty details go to www.heatilator.com



Accelerator

Woodburning Fireplace



heatilator
The first name in fireplaces

Free Manuals Download Website

<http://myh66.com>

<http://usermanuals.us>

<http://www.somanuals.com>

<http://www.4manuals.cc>

<http://www.manual-lib.com>

<http://www.404manual.com>

<http://www.luxmanual.com>

<http://aubethermostatmanual.com>

Golf course search by state

<http://golfingnear.com>

Email search by domain

<http://emailbydomain.com>

Auto manuals search

<http://auto.somanuals.com>

TV manuals search

<http://tv.somanuals.com>