

Digiview Projection Sport Alarm Clock with Chime

USER MANUAL
(PC04, PC06, PC07)

DIGIVIEW PC04/PC06/PC07 MANUAL (ENG)
SIZE: W65 X H105 (mm)
BY WING TSUI 22/10/07

PRODUCT OVERVIEW

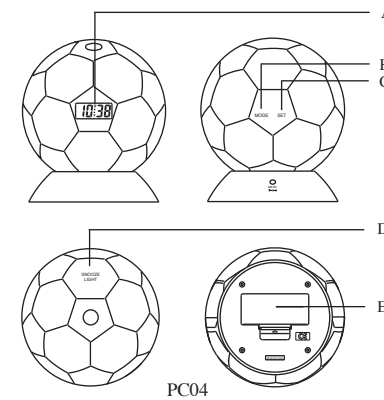
FEATURES

- Multiple time and date display modes
- Current time projected onto the wall or ceiling
- Alarm and Chime functions
- Snooze
- LED backlight
- User-settable 12 or 24 hour time format
- Operates on 2 AAA batteries (not included) or 3V AC/DC adapter (optional)

FRONT VIEW

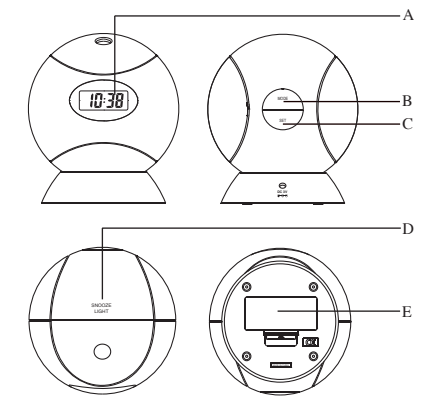
A. CLOCK IN A ONE-LINE LCD DISPLAY

Allows easy reading of current time, date and month.



PC04

4



PC06

5

TABLE OF CONTENTS

INTRODUCTION	3
ABOUT HIDEKI ELECTRONICS	3
PRODUCT OVERVIEW	4
GETTING STARTED	7
BATTERY INSTALLATION	7
TIME PROJECTION	8
CURRENT TIME PROJECTION	9
CALENDAR AND CLOCK DISPLAY MODES	9
SETTING THE CLOCK	10
ALARM	11
ENABLE OR DISABLE ALARM AND CHIME	12
PRECAUTIONS	13
SPECIFICATIONS	13
STANDARD WARRANTY INFORMATION	14

2

INTRODUCTION

Thank you for selecting the **Digiview Projection Soccer Alarm Clock**. This device delivers a time keeping with ability to project information onto the ceiling or wall. In the package you will find:

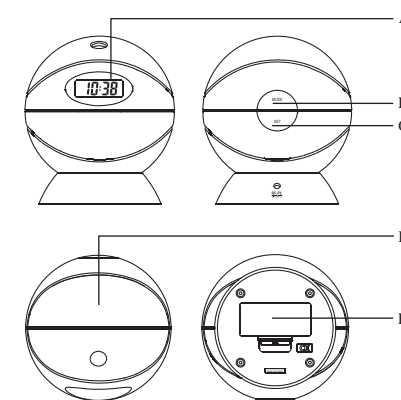
- One Sport Projection Alarm Clock
- One User Manual

Please keep this manual handy as you use your new clock. It contains practical step-by step instructions, as well as technical specifications and precautions you should know.

ABOUT HIDEKI ELECTRONICS

Visit our website (www.digiviewtime.com) to learn more about other Hideki Electronics products such as precise projection time pieces, environmental products and weather monitoring devices. The website also includes important information about an extended warranty program and other useful facts.

3



PC07

6

REAR VIEW

B. MODE BUTTON

- Sets an alarm and allows displaying alarm status
- Enables or disables alarm and chime
- Increases settings when programming

Mode Options from TIME display	
1	Alarm
2	Date
3	Seconds

C. SET BUTTON

- Toggles between display modes and allows setting alarm, clock and date
- Sets the alarm time

SET Press	MODE Action
1	Turn alarm/chime on/off
2	Set alarm Hour
3	Set alarm Minutes
4	Set Month
5	Set Day
6	Set time Hour
7	Set time Minutes

D. LIGHT/SNOOZE BUTTON

- Activates snooze and backlight

BOTTOM VIEW

E. BATTERY COMPARTMENT

- Holds two "AAA" batteries

GETTING STARTED

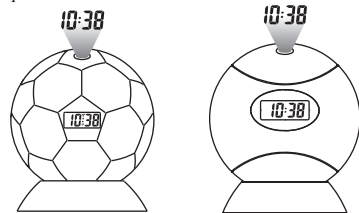
BATTERY INSTALLATION:

1. Open the battery compartment door.
2. Install 2 AAA batteries matching the polarity shown in the battery compartment.
3. Replace the battery compartment door.

7

TIME PROJECTION

The Sport Alarm Clock can project the time display for a short period when operating on batteries, or continuously when using the AC/DC adapter. The clock is designed to project the time image on the ceiling in red, no focusing is required.



PC04

PC06



PC07

NOTE: Time display on the ceiling and the time on the LCD display cannot be viewed simultaneously, as their viewing directions are opposite. Place the unit at the head of your bed to view the projected image correctly.

8

CURRENT TIME PROJECTION

Press "LIGHT/SNOOZE" button to turn on the LCD backlight and project the time display onto the wall or the ceiling for 3 seconds.

CONTINUOUS TIME PROJECTION

Connect AC/DC adapter (optional) to project the time display continuously.

CALENDAR AND CLOCK DISPLAY MODES

The Alarm Clock has a three (3) display modes:

TIME, DATE and ALARM

The current time is displayed in hour-minutes format which is the default display mode. The date is displayed in month-date format.

The alarm time is displayed in hour-minutes format.

9

ENABLE OR DISABLE ALARM AND CHIME

- Press **SET** button in **TIME** display mode. Alarm hour and minute digits will flash.
- Press **MODE** button to enable or disable the alarm and chime in the following sequence:

ALARM ON- ALARM&CHIMEON-



CHIME ON- ALARM&CHIME OFF - ALARM ON-



- Press **SET** button to confirm the alarm and chime status. Clock will go into **TIME** and **DATE** set mode. Wait and clock will return to **TIME** display mode.

TO STOP ALARM

To stop the alarm for 24 hours, press **SET** when alarm is activated.

To stop alarm for 5 minutes, press **SNOOZE/LIGHT** button

If no button is pressed, alarm will stop in 2 minutes. Press **MODE** button to disable the alarm in **ALARM** display format while alarm time digits are flashing. (The bell icon will disappear from the display when alarm is disabled).

CHIME

When **CHIME** is activated, it will sound at every hour.

12

PRECAUTIONS

This product is engineered to give you years of satisfactory service if handled carefully.

Here are a few precautions:

1. Do not immerse the unit in water.
2. Do not clean the unit with abrasive or corrosive materials. They may scratch the plastic parts and corrode the electronic circuits.
3. Do not subject the product to excessive force, shock, dust, temperature, or humidity, which may result in malfunctions, shorter lifespan, damaged batteries, and damaged parts.
4. Do not tamper with the unit's internal components. Doing so will invalidate the warranty and may cause damage. This unit contains no user-serviceable parts.
5. Use only fresh batteries. Do not mix new and old batteries.
6. Read the user's manual thoroughly before operating the unit.

SPECIFICATIONS

Projection

Current time display projected onto the ceiling or wall
Fixed red display projection

Calendar and Clock

12/24 hour display in hh : mm format
Date Format: Month - Day format
Single 2-minute crescendo alarm with snooze and chime
LED backlight

Power

2 AAA batteries (not included)
AC/DC Adapter (3V, 100mA),
center pin positive (optional)

Dimensions

4.33 (L) x 4.72 (H) x 4.33 (D) inches

13

SETTING THE CLOCK

TIME AND DATE

After batteries are installed as shown inside the battery compartment, the default time will be displayed as "1:00"

To set current date and time:

1. Press **SET** button 4 times, and the **MONTH** will be displayed as "1".
2. Press **MODE** button to set the current month.
3. Press **SET** button and the **DAY** will be displayed.
4. Press **MODE** button to set the current day.
5. Press **SET** button again and the **HOUR** will be displayed as 1: A.
6. Press **MODE** button to set current hour (AM, 24 hour, PM).
7. Press **SET** button and the **MINUTES** will be displayed.
8. Press **MODE** button to set the correct minute.
9. Press **SET** button to complete setting the month, date, hour and minute.
10. Press **MODE** button to return clock to normal operation.



24 HOUR TIME FORMAT

Press **MODE** button until the desired hour in "24 hour" format is shown. To return to "12 hour" format continue pressing **MODE**.

10

ALARM

If the alarm is activated, it will sound at the set time and the (bell icon) will flash.

To review the alarm time, press **MODE** button once in **TIME** display and the default alarm time will be displayed as "1:00" and "ALARM" will be displayed in the top left of the LCD display.

To review the date, press **MODE** button when the **ALARM TIME** is displayed.

When **MODE** is pressed again the seconds will be displayed.

To return to the **TIME** display, press **MODE** button again or wait for it to change back.

TO SET ALARM TIME

Press **SET** button twice in **TIME** display. If the alarm is being set for the first time, "1:A" will be displayed with flashing, and "ALARM" will display in the top left.

Press **MODE** button to adjust the desired alarm **HOUR**.

Press **SET** button to set the desired alarm **MINUTES**, the alarm minutes "00" will flash.

Press **MODE** button to adjust the desired alarm minutes.

Press **SET** button again to confirm set alarm time. The clock will return to the **TIME** display mode.



11

STANDARD WARRANTY INFORMATION

This product is warranted from the manufacturing defects for one year from date of retail purchase. It does not cover damages or wear resulting from accident, misuse, abuse, commercial use, or unauthorized adjustment and/or repair.

Note that online product registration is required to ensure valid warranty protection.

To register your product, go to our Company website at: www.digiviewtime.us. Click Online Product Registration under the Customer Service menu.

Should you require assistance with this product and its operation, please contact our Customer Service Hotline 1(866) 443 3543

Please direct all returns to the place of the original purchase. Should this not be possible, contact Customer Service Hotline for assistance and to obtain a Return Merchandise Authorization (RMA). Returns without a return authorization will be refused. Please retain your original receipt as you may be asked to provide a copy for proof of purchase. Hideki Electronics, Inc. reserves the right to repair or replace the product at our option.

14

Free Manuals Download Website

<http://myh66.com>

<http://usermanuals.us>

<http://www.somanuals.com>

<http://www.4manuals.cc>

<http://www.manual-lib.com>

<http://www.404manual.com>

<http://www.luxmanual.com>

<http://aubethermostatmanual.com>

Golf course search by state

<http://golfingnear.com>

Email search by domain

<http://emailbydomain.com>

Auto manuals search

<http://auto.somanuals.com>

TV manuals search

<http://tv.somanuals.com>