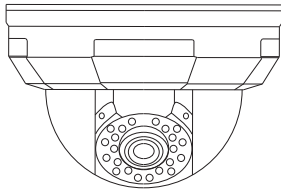


# NIGHT VISION IR DOME CAMERA



VDC-350PIV-V  
VDC-350NIV-V

## User Guide

# VISTA

## Honeywell

### 1. Features

- The camera adopts advanced Digital Signal Processor(DSP) technology,Enhances picture quality greatly to horizontal resolution of 540TVL. Provides clearer and more vivid image.
- Latest DSP controls for BLC, white balance, and gain control.
- Integrated efficient powerful IR LED array can capture high-resolution picture even in complete darkness. Night view distance up to10~15m.
- Light control design. Auto light detection for IR LED switch control.
- The camera is equipped with a Vari-focal lens, f=4~9mm.
- Manual pan /tilt mechanism,3-Axis Rotation.
- Accept 12VDC power supply.
- Anda polygon dome shield, which can bear up to 120 pounds impact and won't be destroyed. It has excellent sealing performance and can also be installed by outdoor .
- Polygon material made dome shield possesses high light permeate rate, strong shock resistance capability. The whole Aluminum base can stand lasting shock and high temperature.

NIGHT VISION IR DOME CAMERA 1

### 2. Safety Precautions

The installation should be made by qualified service personnel or system installers and should confirm to all local codes.

#### 1.Power supply

- use with a 12VDC regulated power supply
- To prevent fire or electrical shock, UL listed class 2 wiring should be used for the 12VDC input terminal.
- Be used to connect each lead to the appropriate terminal. Wrong connection may cause malfunction and/or damage to the video camera.

#### 2.Operating and storage locations

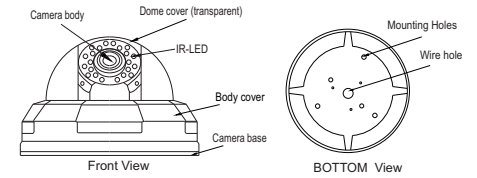
- Do not attempt to point the camera at the sun or other extremely bright objects that cause smear to appear no matter the camera is power on or not. It leads to damage of the CCD(Charge Coupled Device).
- When camera is installed next to equipment, such as wireless communication device, it emits a strong electromagnetic field, some irregularity such as noise on the monitor screen may happen.
- Be sure to use a ceiling board having enough strength to support this camera.
- Assemble the camera's main parts and lens quickly in a sanitary place.
- Do not pull the cable, it may cause disconnection.
- Do not touch the inside of camera even if something is wrong.
- Before installation, make sure to disconnect the power supply first, check the ground connection, and then install it.
- Operating temperature range:-10°C~+50°C,(14°F~122°F); Storage temperature range:-20°C~+60°C,(-4°F~140°F).
- Be sure to use proper screws which cameras can be beared on the material firmly.

NIGHT VISION IR DOME CAMERA 2

### 3. Handling of the Unit

- Never attempt to disassemble or modify the camera.
- If an abnormality should occur, immediately turn off the power and consult your dealer.

### 4. Parts Description



### 5. Cover Removal and Attachment

- To remove the body cover and camera body, disassemble it with the L WRENCH provided in your ACCESSORY set. (Rotating clockwise will close it and rotating anti-clockwise will release it.)

- Accessories



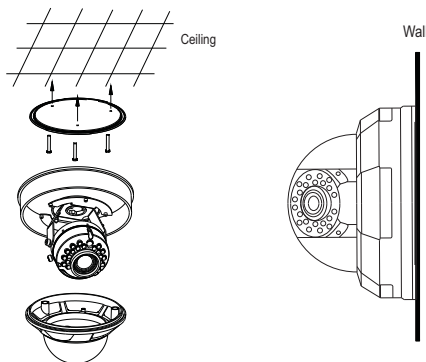
- PLASTIC ANCHOR
- ASSY SCREW TAPPING
- L WRENCH

NIGHT VISION IR DOME CAMERA 3

- PLASTIC ANCHOR: insert into the SCREW hole of the installation location(to strengthen the installation).
- ASSY SCREW TAPPING: use for installation on the ceiling or wall.
- L WRENCH: for body cover and camera base assembly.

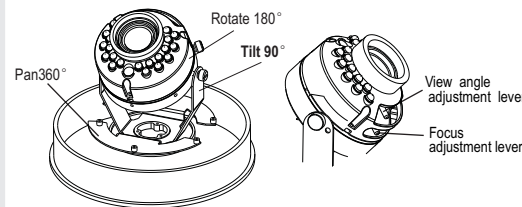
### 6. Installation

- Drill a hole in the place where the camera is installed. Completely insert the PLASTIC ANCHOR provided. then lead the power and video cables pass through the hole.
- Disassemble the body cover and camera base from dome camera .
- Fasten the dome camera base on the wall or the ceiling.

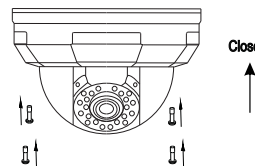


NIGHT VISION IR DOME CAMERA 4

- Adjusting the Camera Direction  
Camera body moves in three ways: pan, tilt and rotate. Adjust the direction so that the lens is pointing at the target.
- Use the lever to adjust the view angle and focus.



- Turn the dome cover to adjust until the lens point at the window, screw tightly and complete the installation.



- Connecting Low Voltage Power & Video Signal  
The wiring harness have a BNC connector to accept video signal ,the other connectors to accept the low voltage power. For mounting directly to a wall or ceiling, run power and video lines to the target location.



NIGHT VISION IR DOME CAMERA 5

### 7. Self-Check Points

#### Before Consulting After-Sales Services

CONDITIONS	CHECKING POINTS
Screen not turned on	*Make sure whether power is connected correctly. *Check if the cable is connected correctly.
Screen not clear or is spread	*If dust is seen through the monitor screen after fixing lens, disassemble the lens and clear off the dust on the surface of CCD withblower or soft cloth.

### 8. Specifications

Model	VDC-350PIV-V	VDC-350NIV-V
Image Sensor	1/3" SUPER HAD II CCD	
Signal System	PAL	NTSC
Effective Pixels	752(H)x582(V)	768(H)x494(V)
Resolution	540TV Lines(Color), 600TV Lines(B/W)	
Minimum Illumination	0.1Lux/F1.2(IR LED OFF), 0Lux (IR LED On)	
Shutter Speed	1/50-1/100,000SEC	1/60-1/100,000SEC
S/N Ratio	More Than 50dB	
White Balance	Automatic	
AGC/BLC	Automatic	
Gamma Correction	0.45	
Sync Model	INT	
Lens	Varifocal lens, f=4-9mm	
IR LED	Wave Length 850nm, x 21pcs IR LED	
IR Beam Distance	10~15m	

NIGHT VISION IR DOME CAMERA 6

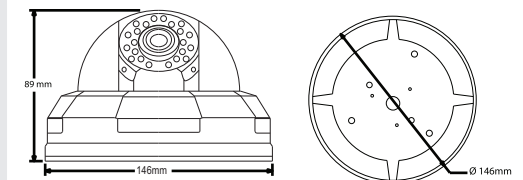
IR LED Drive	On: 1~3Lux; Off: 5~6Lux
Video output	1.0Vp-p, 75Omh, Sync Negative Polarity
Power Input	DC 12V Regulated
Power Consumption	150mA(IR LED OFF)+150mA(IR LED ON)
Operating Temperature	-10°C ~ +50°C, RH90% MAX (non-condensing)
Body	Aluminum
Weight	1000g

All data and specifications subject to change without notice.

### 9. Type Number Overview

Model(12VDC)	VDC-350PIV-V	VDC-350NIV-V
Signal system	PAL	NTSC

### 10. Dimension Outline



NIGHT VISION IR DOME CAMERA 7

## Free Manuals Download Website

<http://myh66.com>

<http://usermanuals.us>

<http://www.somanuals.com>

<http://www.4manuals.cc>

<http://www.manual-lib.com>

<http://www.404manual.com>

<http://www.luxmanual.com>

<http://aubethermostatmanual.com>

Golf course search by state

<http://golfingnear.com>

Email search by domain

<http://emailbydomain.com>

Auto manuals search

<http://auto.somanuals.com>

TV manuals search

<http://tv.somanuals.com>