

Telephone Access Module (TAM) W8735D

Honeywell



With the Telephone Access Module (TAM) from Honeywell, homeowners can adjust the comfort levels in their home, cabin or vacation retreat by simply using a telephone. Your customers can arrive home to the temperature they desire or monitor their home's HVAC systems when away. You can set the TAM so that they can even receive alerts if there's a problem with the HVAC system, or you can arrange to have the alerts sent straight to you as part of a monitoring service. Because the TAM utilizes Honeywell's EnviraCOM™ communications protocol, you'll have a wealth of

information available for both monitoring and remote troubleshooting. For both homeowners and your business, the Honeywell Telephone Access Module provides peace of mind.

W8735D Telephone Access Module

Easy Installation And Setup

The Honeywell Telephone Access Module is powered by EnviraCOM™, a 3-wire protocol ideal for residential and light commercial applications. EnviraCOM is virtually free of any commissioning requirements and the TAM automatically updates as soon as a new EnviraCOM burner control, panel or thermostat is detected. The TAM connects to a standard telephone jack and an easy-to-follow voice menu guides the setup.

A wide range of devices will interface with the TAM, including:

- T8635L1013
- VisionPRO™ IAQ thermostats
- W8835A EnviraZone Panel
- W8635 Equipment Interface Module (EIM)
- W8703 Damper Interface Module (DIM)
- R7184 Oil Primary
- L7224 Aquastat
- More

Options At Your — Or Your Customers' — Fingertips

The Telephone Access Module is perfect for homeowners who travel often, have vacation properties or simply want the peace of mind of remote monitoring. The TAM can monitor outdoor temperature and humidity when the proper sensors are available. Battery back-up informs the user of power outages.

The TAM is also equipped with helpful diagnostic features:

- Last 10 time-stamped alerts with alert codes for contractors
- Zones can be named to better access information
- Multiple telephone numbers can be entered to ensure alerts are received
- Repeated dial-outs until alerts are acknowledged
- Alert priorities can be set to ensure critical alerts are received immediately

Automation and Control Solutions

In the U.S.:

Honeywell

1985 Douglas Drive North

Golden Valley, MN 55422-3992

In Canada:

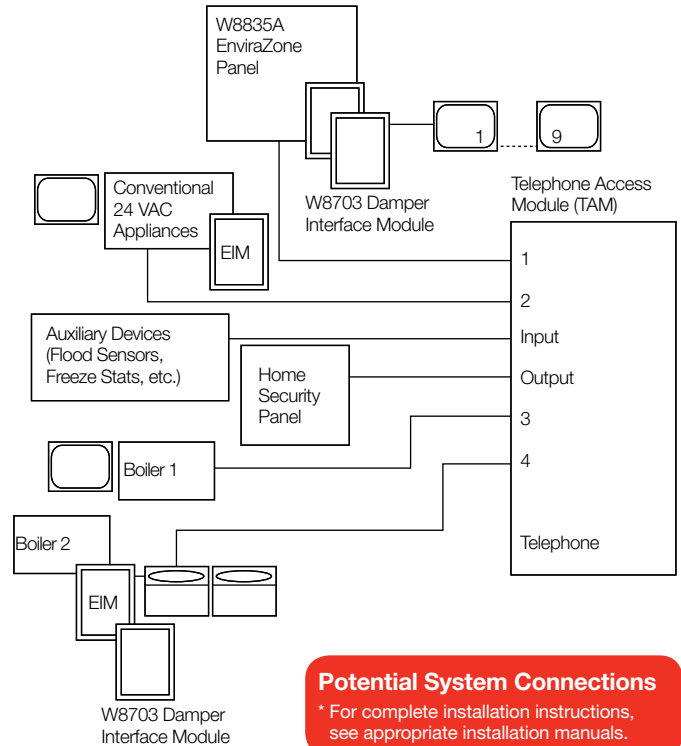
Honeywell Limited

35 Dynamic Drive

Toronto, Ontario M1V 4Z9

www.honeywell.com

63-9660 PR
June 2009
© 2009 Honeywell International Inc.



Peace Of Mind

The bottom line for the Telephone Access Module is peace of mind for the homeowner, which can lead to additional opportunities for you. Alerts are easily set up using the voice menu and phone keypad, and can be set up to notify the homeowner and/or you.

Alerts:

- High/low room temperature
- High/low outdoor temperature (if sensor is available)
- Humidity (if sensor is available)
- Low-battery indication
- System lockout
- Power outage
- Password change
- More

Start offering the Honeywell Telephone Access Module today. You'll grow your business while providing homeowners with a powerful service.

Honeywell

Free Manuals Download Website

<http://myh66.com>

<http://usermanuals.us>

<http://www.somanuals.com>

<http://www.4manuals.cc>

<http://www.manual-lib.com>

<http://www.404manual.com>

<http://www.luxmanual.com>

<http://aubethermostatmanual.com>

Golf course search by state

<http://golfingnear.com>

Email search by domain

<http://emailbydomain.com>

Auto manuals search

<http://auto.somanuals.com>

TV manuals search

<http://tv.somanuals.com>