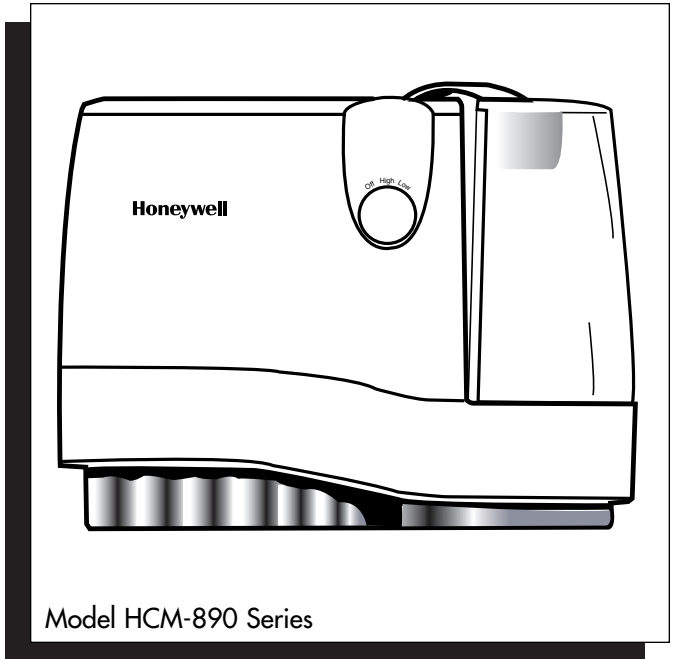


# Honeywell

## OWNER'S MANUAL



Model HCM-890 Series

**2.0 GALLON (7.6 LITERS)  
OUTPUT PER DAY\*  
NATURAL COOL MOISTURE™ HUMIDIFIER**

\*Output dependent on room temperature and humidity.

# IMPORTANT SAFETY INSTRUCTIONS

## READ AND SAVE THESE SAFETY INSTRUCTIONS BEFORE USING THIS HUMIDIFIER

When using electrical appliances, basic precautions should always be followed to reduce the risk of fire, electric shock, and injury to persons, including the following:

1. Always place this humidifier on a firm, flat and level surface. This humidifier may not work properly on an uneven surface.
2. Place this humidifier in an area where it is not accessible to children.
3. Do not place the humidifier near any heat sources such as stoves, radiators, and heaters.
4. Before using the humidifier, check the power cord for any signs of damage. If the cord is found to be damaged, **DO NOT USE** and return the humidifier to the manufacturer under the warranty agreement for repair.
5. This appliance has a polarized plug (one blade is wider than the other). To reduce the risk of shock, this plug is intended to fit only one way in a polarized outlet. If the plug does not fit fully in the outlet, reverse the plug. If it still does not fit, contact a qualified electrician. **DO NOT** attempt to defeat this safety feature.
6. To disconnect the humidifier, first turn controls to the OFF position, then grip the plug and pull it from the wall outlet. Never pull by the cord.
7. A loose fit between the AC outlet (receptacle) and plug may cause overheating and a distortion of the plug. Contact a qualified electrician to replace loose or worn outlet.
8. The humidifier should always be unplugged and emptied when not in operation or while being serviced or cleaned.
9. Never tilt or attempt to move the humidifier while it is operating or filled with water. **UNPLUG** the humidifier before moving.
10. This humidifier requires regular cleaning. Refer to the CLEANING instructions provided. Never clean the humidifier in any manner other than as instructed in this manual.
11. Turn the humidifier OFF if the relative humidity exceeds 60%, or if you notice moisture on the inside of your windows. For proper humidity reading use a hygrometer, which is available in many hardware and department stores or by ordering one from the manufacturer (see Care Products).

## INTRODUCTION

Thank you for purchasing a Honeywell Natural Cool Moisture™ humidifier. If you would like more information on our full line of products please visit our website at: [www.honeywell.com/yourhome](http://www.honeywell.com/yourhome).

## HOW DOES IT WORK?

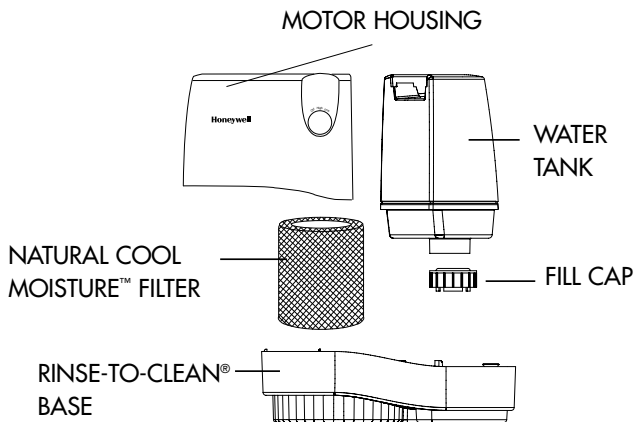
### Natural Cool Moisture™ System

The fan pulls dry air through a wet filter and releases *invisible* moisture into the air. When the unit is running you will not see or feel a “mist”. You will know your humidifier is putting moisture into the air as you watch the water level in your tank decrease throughout the day.

The Honeywell® exclusive Automatic Moisture Balance System™ increases moisture output when the air is dry and lowers the moisture output when the humidity level is high. This automatically helps to adjust the output for maximum comfort and helps prevent condensation.

### MODEL HCM-890

Your humidifier is made up of the following parts:

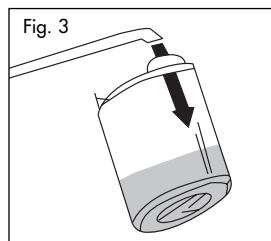
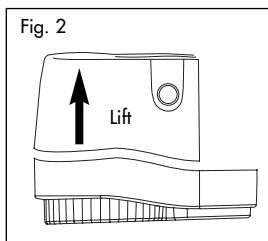
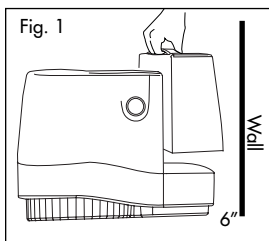




## SET UP

**NOTE:** We recommend that the humidifier be disinfected prior to first use. Please see **CLEANING** instructions.

- Select a firm, level, flat location — at least six inches (15 cm) from any wall for proper air flow (Fig. 1).
- Place the humidifier on a water-resistant surface, as water can damage furniture and some flooring. Honeywell *will not accept responsibility for property damage caused by water spillage.*

## FILLING



- Remove the water tank by grasping the handle and pulling straight up (Fig. 1).
- Lift up on the Motor Housing to remove and set aside (Fig. 2). Remove the Natural Cool Moisture™ filter from the base before filling the unit with water. Soak in a sink full of cool water to help reduce mineral build up and place back in the humidifier while wet. **DO NOT SQUEEZE OR WRING OUT THE NATURAL COOL MOISTURE™ FILTER.** To help extend the life of your filter repeat this step each time you fill your humidifier.
- Turn the water tank upside down so that the fill cap is facing up; unscrew the fill cap by turning it counter-clockwise  and set aside.
- Fill the water tank with COOL tap water (Fig. 3). Distilled water is not necessary as the water is filtered by the Natural Cool Moisture™ filter. **DO NOT USE HOT WATER.** Doing so may damage the humidifier.
- Replace the fill cap by turning it clockwise . **DO NOT OVER TIGHTEN.** Turn the water tank right-side up.

## FILLING CONTINUED

**NOTE: WHEN CARRYING THE FILLED WATER TANK, PLEASE USE THE HANDLE AND PLACE YOUR OTHER HAND UNDER THE TANK FOR ADDITIONAL SUPPORT.**

- Place the Motor Housing back onto Rinse-to-Clean™ Base.
- Once the filled tank has been positioned, do not attempt to move the humidifier. If it has to be moved, unplug the humidifier and remove the water tank first.

**NOTE: DO NOT POUR WATER INTO THE GRILL ON THE TOP OF THE MOTOR HOUSING. DOING SO MAY DAMAGE THE HUMIDIFIER OR CAUSE PERSONAL INJURY.**

## OPERATION

**CAUTION: DO NOT PLUG IN THE HUMIDIFIER WITH WET HANDS AS AN ELECTRIC SHOCK COULD OCCUR.**

### POWER

- With the power switch in the OFF position, plug the filled humidifier into a polarized 120V outlet. DO NOT FORCE THE POLARIZED PLUG INTO THE OUTLET; it will only fit one way.

### HUMIDITY CONTROL

1. Set the fan speed control to the desired position (Fig. 4).

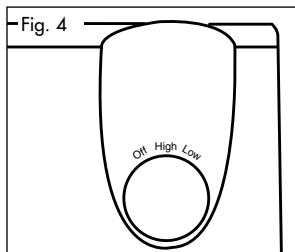
HIGH: For fast humidifying

LOW: For quieter operation

**NOTE:** The length of time your humidifier runs will vary depending on the quality of construction and insulation of your room and house, as well as the fan speed.

2. Turn the humidifier OFF if the humidity level feels too moist or you notice condensation forming on the walls and/or windows.

ALWAYS be sure to empty any unused water in the Rinse-to-Clean™ Base and/or Water Tank each time you refill the water tank or finish using the humidifier.



## WEEKLY CLEANING

We recommend cleaning the humidifier once a week, more often if you have hard water or notice a build up of impurities or detect unpleasant odors.

**NOTE: THE USE OF OTHER WATER TREATMENT PRODUCTS MAY DAMAGE THE FILTER OR HUMIDIFIER.**

Cleaning involves two steps SCALE REMOVAL and DISINFECTING. Be sure to perform these in the proper order to avoid harmful chemical interactions.

- First, turn off and unplug the humidifier.
- Remove the Water Tank and Motor Housing.
- **Remove the Natural Cool Moisture™ filter from the Rinse-to-Clean™ Base.**
- Discard any residual water from the Base.
- Clean all outside surfaces with a dry, soft cloth. **DO NOT USE WATER. THIS MAY DAMAGE THE HUMIDIFIER OR CAUSE ELECTRIC SHOCK.**

### **NOTE: Remove filter before cleaning**

**Failure to remove the filter during cleaning will destroy the filter**

#### **STEP ONE:**

### **SCALE REMOVAL**

#### **RINSE-TO-CLEAN™ BASE**

1. Fill the Rinse-to-Clean™ Base with either:
  - one cup (8 ozs, 250 ml) of undiluted white vinegar

**OR**

  - DuraRinse™ Humidifier Cleaner, part no. AC-816, following bottle instructions
2. Let solution stand for 20 minutes
3. With the vinegar or DuraRinse™ in the Rinse-to-Clean™ Base clean all interior surfaces with a soft cloth or brush to help remove scales.
4. Rinse the Rinse-to-Clean™ Base thoroughly with water to remove scale and cleaning solution.

#### **STEP TWO:**

### **DISINFECTING**

#### **WATER TANK**

1. Fill the water tank with:
  - 1 teaspoon of household bleach
  - 1 gallon (4 L) of water.Pour some of this solution into the Rinse-to-Clean™ Base.
2. Let solution stand for 20 minutes.
3. Rinse with water until the odor of bleach is gone.

## **PROLONGING THE LIFE OF THE FILTER AND MAINTAINING A CLEAN HUMIDIFIER**

**NOTE:** DO NOT ATTEMPT TO CLEAN THE NATURAL COOL MOISTURE™ FILTER WITH ANY CHEMICAL SOLUTIONS, DOING SO WILL DAMAGE THE FILTER.

- If the Natural Cool Moisture™ filter appears to be clogged by hard water or mineral deposits, soak it in a sink full of cool water for 10 minutes. DO NOT SQUEEZE OR WRING OUT THE NATURAL COOL MOISTURE™ FILTER. Always place it back in the humidifier wet.

There are many steps you can take each time you fill your humidifier to make sure you get the most life out of our Natural Cool Moisture™ filter.

1. To prevent mineral deposits use DuraFree™ Humidifier Descaler Water Softener, part no. AC817, each time the Water Tank is refilled.
2. Treat the Natural Cool Moisture™ filter with care. DO NOT squeeze or wring it out, DO NOT clean the filter using any chemical solution.
3. Always purchase Honeywell Brand Natural Cool Moisture™ filters as the fan motor of this humidifier and the Natural Cool Moisture™ filter are designed to function efficiently as a set. Using any other filter could damage the motor or impair the humidifier's performance.
4. Be sure to empty water from the Water Tank and Base when not in use.

## END-OF-THE-SEASON CARE AND STORAGE

- Follow weekly **CLEANING** instructions when the humidifier will not be used for at least one week or more, or at the end of the season.
- At the end of the season, remove and throw away the filter; do not store with a used filter.
- Dry the humidifier completely before storing. **DO NOT** store with water inside the Base or Water Tank.
- Pack the unit in its original carton and store in a cool, dry location.
- Before next use, remember to install a new filter and clean the humidifier.

## TROUBLE SHOOTING

**Q: I hear the fan turning, but I don't see any mist. Is my humidifier operating properly?**

**A:** Dry air is pulled through the Cool Moisture system and a fan disperses invisible, moisture balanced air. There is no "mist" emitted. When operating normally you will feel only cool air coming from the unit. Monitor the water level in your tank/base. If you notice a decrease in the water tank over 24 hours then the unit is operating normally.

**Q: My unit has been running for several hours. I hear the fan spinning, but I do not notice the water level in the tank decreasing.**

**A:** First, check the moisture pad to be sure it is wet. If the pad appears dry, remove it from the base and gently rinse under cool water. Reposition wet filter in the base. You may also want to check the current moisture level in your home. If the humidity level is over 60%, the unit will not put out much moisture as your air is already saturated.



## ELECTRICAL RATINGS

This product is rated at 0.6 amps, 120V, 60 Hz.

**NOTE: IF YOU EXPERIENCE A PROBLEM WITH YOUR HUMIDIFIER PLEASE SEE THE WARRANTY INSTRUCTIONS. PLEASE DO NOT ATTEMPT TO OPEN OR REPAIR THE HUMIDIFIER YOURSELF. DOING SO WILL VOID THE WARRANTY AND COULD CAUSE DAMAGE TO THE UNIT OR PERSONAL INJURY. IF THE PROBLEM PERSISTS PLEASE CONTACT THE CONSUMER SERVICE CENTER.**

## CUSTOMER ASSISTANCE

Mail questions or comments to:

Honeywell  
Consumer Service Center  
250 Turnpike Road  
Southborough, MA 01772 USA

**Please be sure to specify model number.**

Call us toll-free at:

1-800-332-1110

Or visit our website at:

[www.honeywell.com/yourhome](http://www.honeywell.com/yourhome)


## CARE PRODUCTS

If your local dealer is out of stock, Honeywell replacement parts and care products may be ordered directly. You can call 1-800-332-1110 to order with a MasterCard, Visa or Discover or fill out the form below and mail it along with a check or money order (sorry no COD's accepted) to:

Honeywell  
 Consumer Service Center  
 250 Turnpike Road  
 Southborough, MA 01772 USA

Please allow four to six weeks for delivery.  
 Massachusetts residents please add 5% Sales Tax.

### PRICE

Item	Item No.	Qty.	US	CAN	Total
Natural Cool Moisture™ Filter, one per pack	AC888		\$ 9.99	\$13.50	
DuraSept® Humidifier Bacteriostatic Treatment (32 oz., 1L)	AC802		5.00	6.75	
DuraFree® Humidifier Water Softener (32 oz., 1L)	AC817		5.00	6.75	
DuraRinse® Humidifier Cleaner (32 oz. 1L)	AC816		5.00	6.75	
Rinse-to-Clean Base	HCM890-1		10.00	13.50	
Water Tank and Fill Cap	HCM890-2		19.99	27.00	
Fill Cap	HCM890-3		5.00	6.75	
 Digital Hygrometer and Thermometer (F°/C°) <small>Measure room temperature and humidity level. Free standing can be used anywhere in the room. Display Temperature.</small>	HAC555		19.99	27.00	

**SUBTOTAL**

MA Residents add 5% Sales Tax/CAN residents only add 7% GST

Shipping and Handling (US residents add \$4.95/CAN residents add \$7.00)

**TOTAL ENCLOSED**

Name	Check or Money Order Enclosed	<input type="checkbox"/>
Address	Credit Card No.	<input type="checkbox"/>
	Exp. Date	
Day Time Phone	Signature	



## LIMITED WARRANTY

### Limited Warranty Terms and Conditions

You should first read all instructions before attempting to use this product. **The enclosed Customer Response card should be filled out and returned within 7 days of purchase.**

- A. This 5 year limited warranty applies to repair or replacement of product found to be defective in material or workmanship. This warranty does not apply to damage resulting from commercial, abusive, unreasonable use or supplemental damage. Defects that are the result of normal wear and tear will not be considered manufacturing defects under this warranty. **HONEYWELL IS NOT LIABLE FOR INCIDENTAL OR CONSEQUENTIAL DAMAGES OF ANY NATURE. ANY IMPLIED WARRANTY, INCLUDING MERCHANTABILITY AND FITNESS FOR A PARTICULAR PURPOSE, ON THIS PRODUCT IS LIMITED IN DURATION TO THE DURATION OF THIS WARRANTY.** Some jurisdictions do not allow the exclusion or limitation of incidental or consequential damages, or limitations on how long an implied warranty lasts, so the above limitations or exclusions may not apply to you. This warranty gives you specific legal rights, and you also may have other rights which vary from jurisdiction to jurisdiction. This warranty applies only to the original purchaser of this product from the original date of purchase.
- B. At its option, Honeywell will repair or replace this product if it is found defective in material or workmanship. Defective product should be returned directly to Honeywell.
- C. This warranty does not cover damage resulting from any unauthorized attempts to repair or from any use not in accordance with this manual.

**NOTE: THIS WARRANTY DOES NOT COVER THE NATURAL COOL MOISTURE™ FILTER, WHOSE PERFORMANCE WILL DEPEND UPON THE CONDITION OF THE WATER USED IN THE HUMIDIFIER.**

D. Return defective product to the place of purchase in accordance with store policy or to the following address with a brief description of the problem. Include proof of purchase and a U.S. \$10/\$14.50 CAN check or money order for handling, return packing and shipping charges. Please include your name, address and a daytime phone number. You must prepay shipping charges. Mark carton "Attention Returns Department." Ship to:

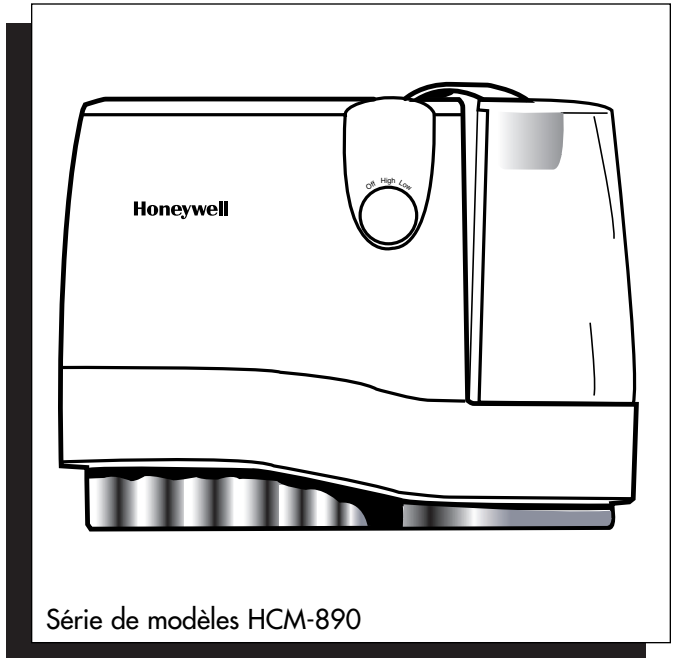
#### In the US: In Canada:

Honeywell  
ATTN: Returns Department  
Southpoint Distribution Center  
4755 Southpoint Drive  
Memphis, TN 38118, U.S.A.  
1-800-332-1110

Honeywell  
ATTN.: Returns Department  
510 Bronte Street  
Milton, ON L9T 2X6  
Canada  
1-800-332-1110

# Honeywell

## GUIDE D'UTILISATION



**HUMIDIFICATEUR NATURAL COOL MOISTURE<sup>MD</sup>  
À RENDEMENT DE 7,6 LITRES  
(2 GALLONS) PAR JOUR\***

\*Le rendement est fonction de la température et du degré d'humidité d'une pièce.

# IMPORTANTES INSTRUCTIONS DE SÉCURITÉ

## LIRE CES INSTRUCTIONS DE SÉCURITÉ AVANT D'UTILISER L'HUMIDIFICATEUR.

L'utilisation d'appareils électriques nécessite des précautions élémentaires afin de réduire les risques d'incendie, de choc électrique ou de blessures. Parmi les précautions à observer, on compte les suivantes:

1. Il convient de toujours placer l'humidificateur sur une surface ferme, dégagée et bien horizontale, puisqu'il pourrait ne pas fonctionner adéquatement sur une surface inégale.
2. Placer l'humidificateur hors de la portée des enfants.
3. Ne pas placer l'appareil près de sources de chaleur telles que poêles, radiateurs ou appareils de chauffage; radiators, and heaters.
4. Avant d'utiliser l'humidificateur, vérifier que le cordon d'alimentation n'est pas endommagé. Si le cordon est endommagé, **NE PAS UTILISER L'APPAREIL**, mais plutôt le retourner au fabricant pour une réparation selon les termes de la garantie.
5. Ce produit est équipé d'une fiche polarisée (fiche dont l'une des lames est plus large que l'autre). Afin de réduire les risques de choc électrique, cette fiche ne peut être insérée que d'une seule manière dans la prise de courant polarisée. Si la fiche ne s'insère pas complètement dans la prise, tourner la fiche. Si la fiche ne s'insère toujours pas dans la prise, contacter un électricien. **ÉVITER** de contourner le dispositif de sécurité que constitue la fiche polarisée.
6. Pour débrancher l'appareil, régler le bouton de contrôle à la position **OFF**, puis enlever la fiche de la prise de courant. Ne jamais débrancher l'appareil en tirant sur le cordon d'alimentation.
7. Une mauvaise connexion entre la sortie de courant alternatif et la fiche peut provoquer un échauffement excessif et une déformation de la fiche. Demander à un électricien qualifié de remplacer les prises de courant lâches ou usées.
8. Toujours débrancher et vider l'appareil quand celui-ci ne sert pas ou durant son entretien ou son nettoyage.
9. Éviter d'incliner ou de déplacer l'humidificateur quand il fonctionne ou qu'il est rempli d'eau. **DÉBRANCHER** l'appareil avant de le bouger.
10. Cet humidificateur nécessite un nettoyage régulier. Consulter les instructions de NETTOYAGE ci-jointes. Ne jamais nettoyer l'appareil d'une autre manière que celle prescrite dans le présent guide.
11. Couper le fonctionnement de l'humidificateur si l'humidité relative dépasse 60 p. 100 ou si de l'humidité se forme à l'intérieur des fenêtres. Afin d'obtenir des relevés précis du degré d'humidité, utiliser un hygromètre. Ils sont vendus en quincaillerie et dans les grands magasins et peuvent être commandés de Honeywell (consulter la section PRODUITS D'ENTRETIEN).

# INTRODUCTION

Merci d'avoir acheté un humidificateur Natural Cool Moisture<sup>MD</sup> de Honeywell. Pour plus d'information sur la gamme complète de nos produits, visitez notre site Web, à [www.honeywell.com/yourhome](http://www.honeywell.com/yourhome).

## COMMENT L'HUMIDIFICATEUR FONCTIONNE-T-IL?

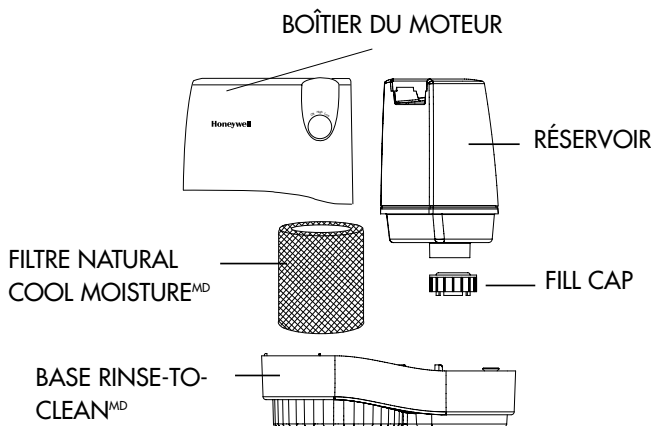
### Système Natural Cool Moisture<sup>MD</sup>

Le ventilateur aspire l'air sec à travers un filtre mouillé et disperse dans la pièce un air *invisible* et humide. L'appareil ne produit pas de «brume» que l'on peut voir ou sentir. C'est en observant le niveau d'eau qui baisse dans le réservoir tout au long de la journée que l'on sait que l'humidificateur disperse de l'humidité dans l'air.

Le Système automatique assurant une humidité équilibrée (Automatic Moisture Balance System<sup>MD</sup>), exclusif à Honeywell®, augmente la production d'humidité quand l'air est sec et la réduit quand le degré d'humidité est élevé. Il contrôle automatiquement le rendement de l'humidificateur pour obtenir un maximum de confort et prévient la condensation.

### MODEL HCM-890

L'humidificateur est composé des cinq éléments suivants.

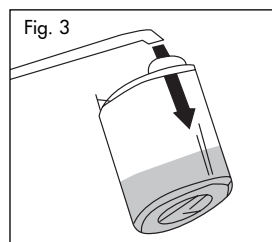
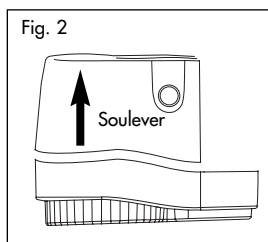
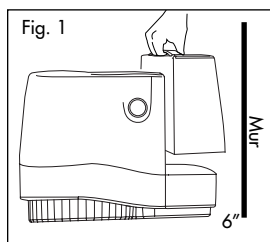


## INSTALLATION

**REMARQUE : On recommande de désinfecter l'humidificateur avant de l'utiliser pour la première fois. Consulter les instructions de la section intitulée NETTOYAGE.**

- Placer l'humidificateur sur une surface ferme et de niveau, à une distance d'au moins 15 cm (6 po) de tout mur, pour permettre une bonne circulation d'air (Fig. 1).
- Placer l'humidificateur sur une surface résistant à l'eau, car l'eau peut endommager les meubles et certains revêtements de sol. *Honeywell ne pourra nullement être tenue responsable des dégâts causés par des déversements d'eau.*

## REPLISSAGE



- Enlever le réservoir en tenant la poignée et en tirant vers le haut (Fig. 1).
- Soulever le boîtier du moteur. Mettre de côté (Fig. 2). Retirer le tampon Natural Cool Moisture<sup>MD</sup> de la base avant de remplir l'appareil d'eau. Mouiller complètement le tampon en le faisant tremper dans un évier rempli d'eau fraîche, afin d'aider à réduire l'accumulation de minéraux, et replacer le filtre encore mouillé dans la base. **ÉVITER DE PRESSER OU DE TORDRE LE TAMPON FILTRE COOL MOISTURE<sup>MD</sup>.** Répéter cette opération à chaque remplissage de l'humidificateur en vue de prolonger la durée de service du filtre.
- Retourner le réservoir de sorte que le bouchon de remplissage soit dirigé vers le haut. Dévisser le bouchon de remplissage en tournant dans le sens contraire des aiguilles d'une montre ➤ Mettre le bouchon de côté.
- Remplir le réservoir avec de l'eau FRAÎCHE du robinet (Fig. 3). Il n'est pas nécessaire d'utiliser de l'eau distillée, puisque l'eau est filtrée par le filtre Natural Cool Moisture<sup>MD</sup>. **NE PAS UTILISER D'EAU CHAUDE**, au risque d'endommager l'appareil.
- Replacer le bouchon de remplissage en le tournant dans le sens des aiguilles d'une montre. ➤ **ÉVITER DE TROP SERRER.** Retourner le réservoir pour le remettre en position normale.



## REPLISSAGE (SUITE)

**REMARQUE: POUR TRANSPORTER LE RÉSERVOIR REMPLI D'EAU, UTILISER LA POIGNÉE ET PLACER UNE MAIN SOUS LE RÉSERVOIR POUR OBTENIR UN MEILLEUR SUPPORT.**

- Replacer le boîtier du moteur sur la Rinse-to-Clean™ Base.
- Une fois le réservoir rempli et mis en place, ne pas tenter de déplacer l'humidificateur. S'il faut le déplacer, débrancher d'abord l'appareil et retirer le réservoir.

**REMARQUE: NE PAS VERSER D'EAU À TRAVERS LA GRILLE SITUÉE SUR LE DESSUS DU BOÎTIER DU MOTEUR, AU RISQUE D'ENDOMMAGER L'APPAREIL OU DE CAUSER DES BLESSURES.**

## FONCTIONNEMENT

**ATTENTION: ÉVITER D'AVOIR LES MAINS MOUILLÉES AU MOMENT DE BRANCHER L'HUMIDIFICATEUR, AU RISQUE DE RECEVOIR UN CHOC ÉLECTRIQUE.**

### MISE EN MARCHÉ

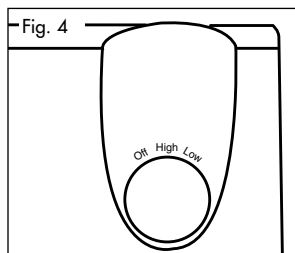
- Régler le bouton marche-arrêt à la position OFF et brancher l'humidificateur rempli dans une prise de courant polarisée de 120 V. ÉVITER DE FORCER POUR FAIRE ENTRER LA FICHE POLARISÉE DANS LA PRISE DE COURANT; la fiche ne s'insère que d'une seule manière dans la prise.

### RÉGLAGE DE LA PRODUCTION D'HUMIDITÉ

1. Régler la vitesse du ventilateur à la position désirée (Fig. 4).

HIGH (ÉLEVÉE): pour atteindre rapidement le degré d'humidité désiré.

LOW (FAIBLE) : pour un fonctionnement plus silencieux pendant la nuit.



**REMARQUE:** La durée de la période de fonctionnement de l'humidificateur peut varier en fonction de la qualité de la construction et de l'isolation de la pièce et de la maison, ainsi qu'en fonction de la vitesse du ventilateur.

2. Couper le fonctionnement de l'humidificateur si le degré d'humidité devient trop élevé ou si une condensation se forme sur les murs ou les fenêtres.

S'assurer de TOUJOURS jeter l'eau restant dans la base Rinse-to-Clean<sup>MD</sup> et/ou dans le réservoir avant chaque remplissage ou au moment de ranger l'humidificateur.

## NETTOYAGE HEBDOMADAIRE

On recommande de nettoyer l'humidificateur une fois par semaine ou plus souvent si l'eau du robinet est dure, s'il se produit une accumulation d'impuretés ou si l'appareil dégage une odeur désagréable.

### REMARQUE: L'UTILISATION D'AUTRES PRODUITS DE TRAITEMENT D'EAU PEUT ENDOMMAGER LE FILTRE OU L'HUMIDIFICATEUR.

Le nettoyage régulier s'effectue en deux étapes, soit L'ENLÈVEMENT D'INCRUSTATION et la DÉSINFECTION. S'assurer d'effectuer ces opérations dans l'ordre afin d'éviter une interaction dangereuse des produits chimiques.

- Régler le bouton de contrôle à OFF et débrancher l'humidificateur
- Enlever le réservoir et le boîtier du moteur.
- **Retirer de la base Rinse-To-Clean<sup>MD</sup> le filtre Natural Cool Moisture<sup>MD</sup>**
- Jeter l'eau se trouvant dans la base.
- Nettoyer toutes les surfaces extérieures avec un linge doux, sec. **NE PAS UTILISER D'EAU, CE QUI POURRAIT ENDOMMAGER L'HUMIDIFICATEUR OU CAUSER UN CHOC ÉLECTRIQUE.**

### REMARQUE: ENLEVER LE FILTRE AVANT D'EFFECTUER LE NETTOYAGE.

Le fait de ne pas retirer le tampon avant d'effectuer le nettoyage entraînera la destruction du filtre.

#### 1RE ÉTAPE :

### ENLÈVEMENT DE L'INCRUSTATION

#### BASE RINSE-TO-CLEAN<sup>MD</sup>

1. Remplir la base Rinse-to-Clean<sup>TM</sup> avec:
  - 1 tasse (250 mL) de vinaigre blanc non dilué
  - OU**
  - le nettoyant pour humidificateurs DuraRinse<sup>MD</sup>, article no AC-816, en suivant les instructions figurant sur la bouteille.
2. Laisser agir la solution pendant 20 minutes.
3. Sans enlever le vinaigre ou la solution DuraRinse<sup>MD</sup>, nettoyer toutes les surfaces intérieures au moyen d'une brosse souple ou d'un linge, afin d'enlever l'incrustation.
4. Rincer à fond la base avec de l'eau, afin d'enlever l'incrustation et la solution nettoyante.

#### 2E ÉTAPE :

### DÉSINFECTION

#### RÉSERVOIR

1. Remplir le réservoir avec :
  - 1 cuillère à thé de blanchiment au chlore
  - ET**
  - 4 litres (1 gallon) d'eau.. Verser un peu de cette solution dans la Rinse-to-Clean<sup>MD</sup> Base.
2. Laisser agir pendant 20 minutes.
3. Rincer à l'eau jusqu'à ce que l'odeur de l'agent de blanchiment ait disparu.

## PROLONGATION DE LA DURÉE DE SERVICE DU FILTRE ET ENTRETIEN DE L'HUMIDIFICATEUR

**REMARQUE:** ÉVITER DE NETTOYER LE FILTRE NATURAL COOL MOISTURE<sup>MD</sup> AVEC UNE SOLUTION CHIMIQUE, QUELLE QU'ELLE SOIT, CE QUI ENDOMMAGERAIT LE FILTRE.

- Si le filtre Natural Cool Moisture<sup>MD</sup> semble obstrué par de l'eau dure ou des dépôts de minéraux, le faire tremper pendant 10 minutes dans un évier rempli d'eau fraîche. ÉVITER DE PRESSER OU DE TORDRE LE FILTRE NATURAL COOL MOISTURE<sup>MD</sup>. Toujours replacer le filtre dans l'humidificateur quand il est encore mouillé.

Il y a plusieurs étapes à suivre au moment de chaque remplissage de l'humidificateur afin d'obtenir la durée de service maximale du filtre Natural Cool Moisture<sup>MD</sup>

1. Afin de prévenir les dépôts de minéraux, utiliser l'adoucisseur d'eau DuraFree<sup>MD</sup> pour humidificateurs, article numéro AC817, à chaque remplissage du réservoir.
2. Manipuler avec soin le filtre Natural Cool Moisture<sup>MD</sup>. ÉVITER de le presser ou de le tordre. ÉVITER de nettoyer le filtre avec une solution chimique, quelle qu'elle soit.
3. Toujours acheter les filtres Natural Cool Moisture<sup>MD</sup> de marque Honeywell, puisque le moteur du ventilateur de l'humidificateur a été conçu pour fonctionner efficacement en combinaison avec le filtre Natural Cool Moisture<sup>MD</sup>. Le fait d'utiliser une autre sorte de filtre pourrait endommager le moteur de l'humidificateur ou diminuer son rendement.
4. S'assurer de jeter l'eau restant dans le réservoir et la base quand l'humidificateur ne sert pas.

## ENTRETIEN DE FIN DE SAISON ET ENTREPOSAGE

- À la fin de la saison d'utilisation, ou dans le cas où l'humidificateur ne sera pas utilisé pendant plus d'une semaine, nettoyer l'appareil conformément aux directives de la section intitulée NETTOYAGE HEBDOMADAIRE.
- À la fin de la saison d'utilisation, retirer et jeter le filtre. Éviter de laisser le filtre usagé dans l'humidificateur au moment de ranger l'appareil.
- S'assurer que tous les composants de l'humidificateur sont secs avant de le ranger. Vider complètement la base et le réservoir avant d'entreposer l'appareil.
- Placer l'humidificateur dans son emballage initial et le ranger dans un endroit frais et sec.
- Penser à nettoyer l'humidificateur et à installer un nouveau filtre au début de la prochaine saison d'utilisation.

## DÉPANNAGE

**Q: J'entends le ventilateur qui tourne, mais je ne vois aucune «brume». Mon humidificateur fonctionne-t-il correctement?**

**R:** L'air sec passe dans le système Natural Cool Moisture<sup>MD</sup>, et un ventilateur silencieux disperse un air invisible, équilibré en humidité. L'appareil ne produit pas de «brume» que l'on peut voir ou sentir. Quand l'humidificateur fonctionne normalement, on sent uniquement de l'air frais qui sort de l'appareil. Il faut surveiller le niveau d'eau du réservoir et de la base. Si l'on constate que le niveau d'eau baisse dans le réservoir pendant une période de 24 heures, c'est que l'humidificateur fonctionne normalement.

**Q: Mon appareil fonctionne depuis plusieurs heures. J'entends le ventilateur tourner, mais je ne constate aucune baisse du niveau d'eau dans le réservoir.**

**R:** Vérifier d'abord le filtre Natural Cool Moisture<sup>MD</sup> afin de s'assurer qu'il est mouillé. S'il semble sec, le retirer de la base et le rincer délicatement sous l'eau fraîche. Replacer le filtre mouillé dans la base. On peut aussi mesurer le degré d'humidité ambiante. En effet, si celui-ci dépasse 60 p. 100, l'humidificateur ne produira pas beaucoup d'humidité, puisque l'air ambiant est déjà saturé.

## CARACTÉRISTIQUES ÉLECTRIQUES ASSIGNÉES

Ce produit a les caractéristiques assignées suivantes: 0,6 A, 120 V, 60 Hz.

**REMARQUE: EN CAS DE PROBLÈME AVEC LE BLOC MOTEUR DE L'HUMIDIFICATEUR, CONSULTER LA GARANTIE. PRIÈRE DE NE PAS TENTER D'OUVRIR OU DE RÉPARER L'HUMIDIFICATEUR, CE QUI ANNULERAIT LA GARANTIE ET RISQUERAIT D'OCCASIONNER DES DOMMAGES ET DES BLESSURES. SI LE PROBLÈME PERSISTE, TÉLÉPHONER AU CENTRE DE SERVICE À LA CLIENTÈLE.**

## AIDE À LA CLIENTÈLE

Adresser questions et commentaires à:

Honeywell  
Consumer Service Center  
250 Turnpike Road  
Southborough, MA 01772  
USA

**Prière de mentionner le numéro de modèle.**

Téléphonez-nous sans frais au:

1-800-332-1110

Ou visitez notre site Web à:

[www.honeywell.com/yourhome](http://www.honeywell.com/yourhome)


## PRODUITS D'ENTRETIEN

Si le concessionnaire local ne dispose pas des pièces de rechange ou des produits d'entretien désirés, ces derniers peuvent être commandés directement de Honeywell. Il suffit de téléphoner au numéro 1-800-332-1110 pour commander par carte MasterCard, Visa ou Discover ou de remplir la fiche suivante et de la poster, accompagnée d'un chèque ou d'un mandat de poste (nous n'acceptons aucun envoi contre remboursement), à :

Honeywell  
Consumer Service Center  
250 Turnpike Road  
Southborough, MA 01772  
USA

Prévoir de quatre à six semaines pour la livraison.  
Les habitants du Massachusetts sont priés d'ajouter 5 p. 100 de taxe de vente.

### PRIX

Article	N° d'article	Quantité	US	CAN	Total
Filtre Natural Cool Moisture <sup>MD</sup> - 1 par paquet	AC888		9,99\$	13,50\$	
DuraSept <sup>®</sup> Humidifier Bacteriostatic Treatment (1 litre)	AC802		5,00	6,75	
Adoucisseur d'eau DuraFree <sup>MD</sup> pour humidificateurs (1 litre)	AC817		5,00	6,75	
Nettoyant DuraRinse <sup>MD</sup> pour humidificateurs (1 litre)	AC816		5,00	6,75	
Rinse-to-Clean Base	HCM890-1		10,00	13,50	
Réservoir et bouchon de remplissage	HCM890-2		19,99	27,00	
Bouchon de remplissage	HCM890-3		5,00	6,75	
 Indicateur numérique d'humidité/de température (°F / °C) Indique la température et le degré d'humidité d'une pièce. Sans support. Peut être utilisé n'importe où dans une pièce.	HAC555		19,99	27,00	
<b>SOUS-TOTAL</b>					
Résidents du Massachusetts: ajouter 5 % de taxe de vente / résidents du Canada : ajouter 7 % de TPS.					
Expédition et manutention: résidents des É.-U., ajouter 4,95 \$ / résidents du Canada, ajouter 7,00 \$.					
<b>TOTAL CI-INCLUS</b>					
Nom	Chèque ou mandat de poste inclus				<input type="checkbox"/>
Adresse	No de carte de crédit				<input type="checkbox"/>
	Date d'expiration				
No de téléphone le jour	Signature				



# GARANTIE LIMITÉE

## Garantie Limitée Terms and Conditions

Prière de lire toutes les instructions avant de tenter d'utiliser ce produit.

### La carte ci-jointe doit être remplie et retournée dans les 7 jours suivant l'achat

- A. Cette garantie limitée de 5 ans s'applique à la réparation ou au remplacement d'un produit comportant un vice de matière ou de main-d'œuvre. Cette garantie ne s'applique pas aux dégâts découlant d'un usage commercial, abusif ou déraisonnable, ni aux dégâts supplémentaires. Les défaillances résultant de l'usure normale ne sont pas considérées comme des vices de fabrication en vertu de la présente garantie. **LE FABRICANT N'EST NULLEMENT RESPONSABLE POUR LES DOMMAGES FORTUITS OU INDIRECTS, QUELS QU'ILS SOIENT. TOUTE GARANTIE IMPLICITE DE QUALITÉ MARCHANDE ET DE CONVENANCE RELATIVE À CE PRODUIT A LA MÊME DURÉE LIMITE QUE LA PRÉSENTE GARANTIE.** Dans certaines régions, on ne permet pas l'exclusion ou la limitation des dommages fortuits ou indirects, ni les limites de durée applicables à une garantie implicite; par conséquent, il est possible que ces limitations ou exclusions ne s'appliquent pas dans votre cas. Cette garantie vous confère des droits précis, reconnus par la loi. Ces droits diffèrent d'une région à l'autre, et il est possible que vous en ayez d'autres. Cette garantie s'applique uniquement à l'acheteur initial de ce produit, à compter de la date de l'achat.
- B. À sa discrétion, le fabricant réparera ou remplacera ce produit si l'on constate qu'il comporte un vice de matière ou de main-d'œuvre. Tout produit défectueux devrait être retourné à l'endroit où il a été acheté, conformément à la politique du magasin. Par la suite, tout produit défectueux dont la garantie est toujours valide peut être retourné à Honeywell. **REMARQUE : CETTE GARANTIE NE COUVRE PAS LE TAMPON NATURAL COOL MOISTURE<sup>MD</sup>, DONT LE RENDEMENT DÉPENDRA DE LA QUALITÉ DE L'EAU UTILISÉE DANS L'HUMIDIFICATEUR.**
- C. Cette garantie ne couvre pas les dommages découlant des tentatives de réparation non autorisées ou de toute utilisation non conforme au présent manuel.
- D. Retourner tout produit défectueux, incluant une preuve d'achat et un chèque ou un mandat de poste de 10,00 \$ US / 14,50 \$ CAN. pour les frais de manutention, d'emballage de retour et d'expédition.

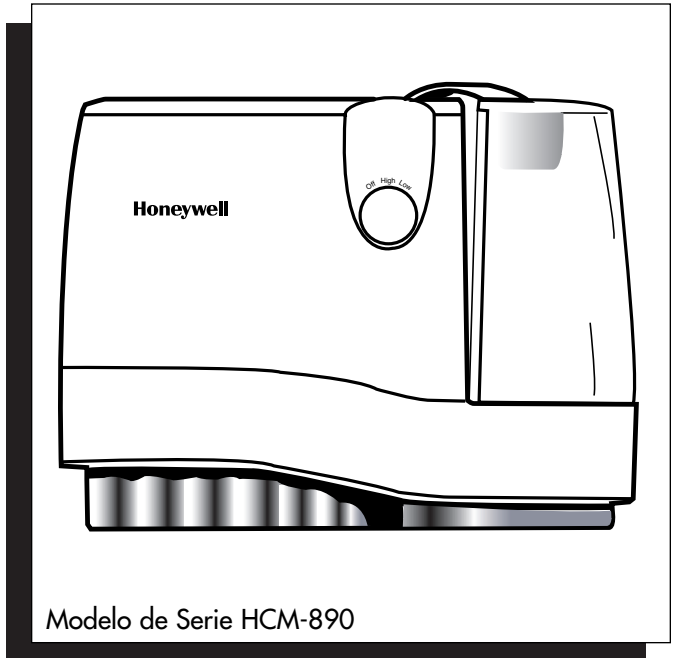
Aux États-Unis:  
Attn: Returns Department  
South Point Distribution Center  
4755 South Point Drive  
Memphis, TN 38118 USA  
1-800-554-4558

Au Canada:  
Attn: Returns Department  
510 Bronte Street  
Milton, ON L9T 2X6, Canada  
1-800-554-4558



# Honeywell

## MANUAL DEL PROPIETARIO



**HUMIDIFICADOR DE AIRE FRÍO**  
**"NATURAL COOL MOISTURE" MR**  
**PRODUCCIÓN DIARIA \* 7.6 LITROS (2.0 GALONES)**

\* La producción depende de la temperatura y humedad ambientales.

# INSTRUCCIONES IMPORTANTES DE SEGURIDAD

## LEA Y GUARDE ESTAS INSTRUCCIONES DE SEGURIDAD ANTES DE USAR ESTE HUMIDIFICADOR

**Siempre se deben tomar las precauciones básicas cuando se usen artefactos eléctricos para reducir el riesgo de incendio, choque eléctrico y lesiones personales, incluyendo lo siguiente:**

1. Siempre coloque este humidificador sobre una superficie firme, plana y nivelada. Es posible que este humidificador no funcione debidamente sobre una superficie desnivelada.
2. Coloque este humidificador en un lugar fuera del alcance de los niños.
3. No coloque el humidificador cerca de ninguna fuente térmica como estufas, radiadores y calentadores.
4. Antes de usar el humidificador, verifique que el cordón eléctrico no tenga señales de avería. Si considera que el cordón está estropeado, **NO LO USE** y devuelva el humidificador al fabricante conforme al acuerdo de garantía para su reparación.
5. Este artefacto tiene un enchufe polarizado (una punta es más ancha que la otra). Para reducir el riesgo de choque, este enchufe ha sido diseñado para que encaje de una forma solamente en un tomacorriente polarizado. Si el enchufe no encaja completamente en el tomacorriente, inviértalo. Si aún no encaja, comuníquese con un electricista competente. **NO** trate de ir en contra de esta característica de seguridad.
6. Para desconectar el humidificador, primero coloque los controles en la posición apagada (OFF), luego sujete el enchufe y sáquelo del tomacorriente. Nunca tire del cordón.
7. Una conexión floja entre la toma de corriente alterna (tomacorriente o receptáculo) y el enchufe puede hacer que el enchufe se recaliente y se deforme. Comuníquese con un electricista competente para cambiar un tomacorriente flojo o gastado.
8. Se debe desenchufar y vaciar el humidificador siempre que no esté funcionando o durante su reparación o limpieza.
9. Nunca incline ni trate de mover el humidificador mientras esté funcionando o esté lleno de agua. **DESENCHÚFELO** antes de moverlo.
10. El humidificador se debe limpiar con regularidad. Consulte las instrucciones de LIMPIEZA provistas. Nunca limpie el humidificador de ninguna otra manera que no sea conforme con las instrucciones de este manual.
11. Apague el humidificador si la humedad relativa sobrepasa el 60% o si observa humedad en el interior de sus ventanas. Para una lectura correcta de la humedad use un higrómetro que se puede adquirir en muchas ferreterías o almacenes grandes, o encargue uno del fabricante (consulte la sección de Productos para el Mantenimiento).

# INTRODUCCIÓN

Gracias por su compra de un humidificador de aire frío "Natural Cool Moisture"<sup>™MR</sup> de Honeywell®. Si desea obtener más información sobre nuestra línea completa de productos, visite nuestro sitio web en [www.honeywell.com/yourhome](http://www.honeywell.com/yourhome).

## ¿CÓMO FUNCIONA?

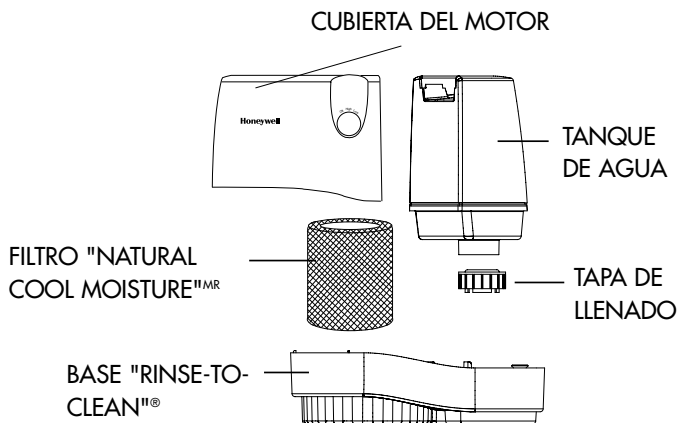
### El Sistema "Natural Cool Moisture"<sup>™MR</sup>

El ventilador conduce el aire seco a través de un filtro húmedo y desprende humedad invisible al aire. Cuando la unidad esté funcionando, usted no verá ni sentirá el vapor. Usted sabrá que el humidificador está desprendiendo humedad en el aire cuando observe que el nivel del agua en el tanque disminuye durante el día.

El Sistema exclusivo de Equilibrio Automático de Humedad de Honeywell™ aumenta la producción de humedad cuando el aire es seco y disminuye la producción de humedad cuando el nivel de humedad es alto. Esto ayuda a regular automáticamente la producción, para brindar el máximo de comodidad y evitar condensación.

## EL MODELO HCM-890

Su humidificador está compuesto de las siguientes partes:

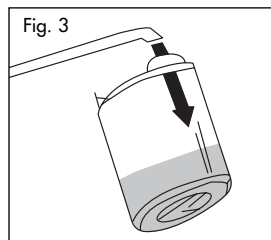
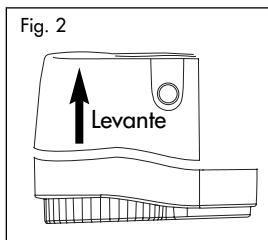
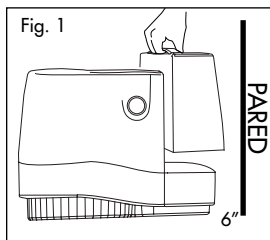


# CONFIGURACIÓN

**NOTA:** Le recomendamos desinfectar el humidificador antes del primer uso. Consulte las instrucciones de LIMPIEZA.

- \* Seleccione un lugar firme, nivelado y plano – a por lo menos 15 cm (6 pulgadas) de distancia de las paredes, para obtener un flujo de aire adecuado (Fig. 1).
- \* Coloque el humidificador sobre una superficie resistente al agua, ya que el agua puede estropear los muebles y ciertos tipos de pisos. Honeywell *no* aceptará ninguna responsabilidad por daños materiales ocasionados por derrames de agua.

## CÓMO LLENAR EL TANQUE



- Saque el tanque de agua sujetando el mango y tirando verticalmente hacia arriba. (Fig. 1).
- Levante y saque la Cubierta del Motor colocándola a un lado (Fig. 2). Saque el filtro de "Natural Cool Moisture"<sup>MR</sup> de la base antes de llenar la unidad con agua. Déjelo en remojo dentro de un fregadero lleno de agua fría para ayudar a reducir la acumulación de minerales y vuelva a colocarlo en el humidificador mientras aún esté húmedo. **NO RETUERZA NI EXPRIMA EL FILTRO DE "NATURAL COOL MOISTURE"<sup>MR</sup>.** Para ayudar a prolongar la vida útil de su filtro, repita este paso cada vez que llene su humidificador.
- Invierta el tanque de agua para que la tapa de llenado quede mirando hacia arriba; destornille la tapa de llenado haciéndola girar en dirección opuesta a las agujas del reloj ↺ y déjela a un lado.
- Llene el tanque de agua con agua FRÍA del grifo (Fig. 3). No es necesario utilizar agua destilada ya que el agua se filtra a través del filtro de "Natural Cool Moisture"<sup>MR</sup>. **NO USE AGUA CALIENTE** ya que puede dañar el humidificador.
- Vuelva a colocar la tapa de llenado haciéndola girar en la dirección de las agujas del reloj ↻. **NO APRIETE DEMASIADO.** Vuelva a invertir el tanque para colocarlo en la posición correcta.

## CONTINUACIÓN DE CÓMO LLENAR EL TANQUE

**NOTA:** CUANDO MUEVA EL TANQUE LLENO DE AGUA, ES IMPORTANTE QUE USE EL MANGO Y COLOQUE LA OTRA MANO DEBAJO DEL TANQUE PARA MAYOR APOYO.

- Coloque la Cubierta del Motor nuevamente en la Base "Rinse-to-Clean"<sup>™</sup>.
- Una vez que haya colocado el tanque lleno de agua en la posición correcta, no trate de mover el humidificador. Si es necesario moverlo, primero desenchúfelo y saque el tanque de agua.

**NOTA:** NO VIERTA AGUA POR LA REJILLA EN LA PARTE SUPERIOR DE LA CUBIERTA DEL MOTOR, YA QUE PODRÍA DAÑAR EL HUMIDIFICADOR U OCASIONAR LESIONES PERSONALES.

## OPERACIÓN

**PRECAUCIÓN:** NO ENCHUFE EL HUMIDIFICADOR CON MANOS HÚMEDAS YA QUE PUEDE RESULTAR EN CHOQUE ELÉCTRICO.

### CORRIENTE ELÉCTRICA

- Con el interruptor de corriente en la posición apagada (OFF), enchufe el humidificador lleno de agua en un tomacorriente polarizado de 120 V. NO FUERCE EL ENCHUFE POLARIZADO DENTRO DEL TOMACORRIENTE; éste encaja de una sola manera.

### CONTROL DE LA HUMEDAD

1. Coloque el control de velocidad del ventilador en la posición deseada (Fig. 4).

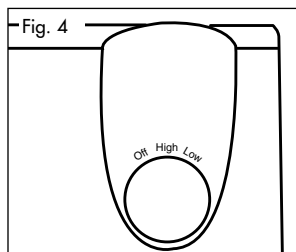
ALTA: para humidificación rápida

BAJA: para un funcionamiento silencioso

**NOTA:** El largo del tiempo de marcha del humidificador varía según la calidad de la construcción y del aislamiento de su habitación y de su casa, así como de la velocidad del ventilador.

2. Apague el humidificador si observa que el nivel de humedad es demasiado alto o que se forma condensación en las paredes y/o ventanas.

SIEMPRE asegúrese de vaciar toda el agua que no se haya usado en la Base "Rinse-to-Clean"<sup>™</sup> y/o en el Tanque de Agua, cada vez que llene el tanque de agua o termine de usar el humidificador.



## LIMPIEZA SEMANAL

Le recomendamos limpiar el humidificador una vez por semana y con más frecuencia si usted se encuentra en una zona de agua dura u observa una acumulación de impurezas o detecta olores desagradables.

**NOTA: EL USO DE OTROS PRODUCTOS DE TRATAMIENTO DE AGUA PUEDE PERJUDICAR EL FILTRO O EL HUMIDIFICADOR.**

La limpieza consiste en dos pasos, REMOCIÓN DE SARRO y DESINFECCIÓN. Es importante realizarlas en el orden correcto para evitar la interacción de sustancias químicas nocivas.

- Primero apague y desenchufe el humidificador.
  - Saque el Tanque de Agua y la Cubierta del Motor.
  - **Saque el filtro de "Natural Cool Moisture"<sup>™MR</sup> de la Base "Rinse-to-Clean"<sup>™MR</sup>.**
  - Elimine todo residuo de agua de la Base.
  - Limpie todas las superficies externas con un paño seco y suave.
- NO USE AGUA YA QUE PUEDE DAÑAR EL HUMIDIFICADOR O CAUSAR UN CHOQUE ELÉCTRICO.**

**NOTA: Saque el filtro antes de la limpieza para evitar que se destruya.**

### PRIMER PASO:

#### REMOCIÓN DE SARRO

BASE "RINSE-TO-CLEAN"<sup>™MR</sup>

1. Llene la Base "Rinse-to-Clean"<sup>™MR</sup> con uno de los siguientes:
  - una taza (8 onzas, 250 ml) de vinagre blanco no diluido
  - Limpiador para humidificadores DuraRinse<sup>MR</sup>, parte No. AC-816, siguiendo las instrucciones en la botella
2. Deje que la solución repose por 20 minutos.
3. Con el vinagre o el DuraRinse<sup>MR</sup> en la Base "Rinse-to-Clean"<sup>™MR</sup> limpie todas las superficies interiores con un paño suave o con un cepillo para ayudar a eliminar el sarro.
4. Enjuague la Base "Rinse-to-Clean"<sup>™MR</sup> bien con agua y saque el sarro y la solución de limpieza.

### SEGUNDO PASO:

#### DESINFECCIÓN

TANQUE DE AGUA

1. Llene el tanque de agua con:
  - 1 cucharadita de lejía para uso doméstico
  - 1 galón (4 L) de agua.Vierta un poco de esta solución en la Base "Rinse-to-Clean"<sup>™MR</sup>.
2. Deje que la solución repose por 20 minutos.
3. Enjuague con agua hasta que haya desaparecido el olor de la lejía.

## CÓMO PROLONGAR LA VIDA ÚTIL DEL FILTRO Y MANTENER UN HUMIDIFICADOR LIMPIO

**NOTA:** NO TRATE DE LIMPIAR EL FILTRO DE "NATURAL COOL MOISTURE"<sup>MR</sup> CON CUALQUIER SOLUCIÓN QUÍMICA YA QUE LO PODRÁ ESTROPEAR.

- Si el filtro de "Natural Cool Moisture"<sup>MR</sup> parece estar tapado como resultado del agua dura o de depósitos minerales, póngalo en remojo en un fregadero lleno de agua fría durante 10 minutos. NO TUERZA NI EXPRIMA EL FILTRO DE "NATURAL COOL MOISTURE"<sup>MR</sup>. Siempre colóquelo mojado nuevamente en el humidificador.

Existen varias medidas que se pueden tomar cada vez que se llene el humidificador para asegurarse de que el filtro de "Natural Cool Moisture"<sup>MR</sup> dure lo más posible.

1. Para evitar la acumulación de depósitos minerales, use DuraFree<sup>MR</sup>, ablandador de agua para eliminar el sarro en humidificadores, parte No. AC817, cada vez que rellene el Tanque de Agua.
2. Trate el filtro de "Natural Cool Moisture"<sup>MR</sup> con cuidado. NO lo tuerza ni exprima, NO lo limpie usando soluciones químicas.
3. Siempre adquiera filtros de "Natural Cool Moisture"<sup>MR</sup> de marca Honeywell™ ya que el motor del ventilador de este humidificador y el filtro de "Natural Cool Moisture"<sup>MR</sup> han sido diseñados para funcionar eficazmente en conjunto. El uso de otro tipo de filtro podrá dañar el motor o perjudicar el desempeño del humidificador.
4. Asegúrese de vaciar el agua del Tanque de Agua y de la Base cuando no esté usando el aparato.

## CUIDADO AL FINAL DE LA ESTACIÓN Y ALMACENAMIENTO

- Siga las instrucciones de LIMPIEZA semanal cuando el humidificador no se vaya a usar por lo menos por una semana o más tiempo, o al final de la estación.
- Al final de la estación, saque el filtro y tírelo a la basura, no guarde el humidificador con un filtro usado.
- Seque completamente el humidificador antes de guardarlo. No lo guarde con agua en el interior de la Base o del Tanque de Agua.
- Guarde la unidad en su caja original de empaque, en un lugar fresco y seco.
- Antes del próximo uso, recuerde que debe instalar un filtro nuevo y limpiar el humidificador.

## LOCALIZACIÓN DE FALLAS

**P: Oigo que el ventilador esté girando, pero no veo vapor. ¿Está mi humidificador funcionando debidamente?**

**R:** El aire seco pasa a través del sistema de Humedad Fría ("Cool Moisture"), y el ventilador distribuye aire invisible con un contenido balanceado de humedad. No emite "vapor". Cuando funcione normalmente, usted sentirá que sale solamente aire fresco desde la unidad. Controle el nivel de agua en el tanque/base. Si observa que el nivel del agua en el tanque de agua disminuye durante 24 horas, entonces la unidad estará funcionando debidamente.

**P: Mi unidad ha estado marchando por varias horas. Oigo que el ventilador está girando, pero no observo una disminución en el nivel del agua del tanque.**

**R:** Primero examine la almohadilla de humedad para comprobar que esté mojada. Si ésta está seca, sáquela de la base y enjuáguela delicadamente con agua fría. Vuelva a colocar el filtro mojado en la base. Usted también puede examinar el nivel de humedad actual en su casa. Si el nivel de humedad es superior al 60%, la unidad no producirá tanta humedad ya que el aire ya estará saturado.



## CAPACIDADES ELÉCTRICAS NOMINALES

La capacidad nominal de este producto es de 0.6 amperios, 120 V, 60 Hz.

**NOTA: SI USTED TIENE ALGÚN PROBLEMA CON SU HUMIDIFICADOR, consulte las instrucciones sobre la garantía, no trate de abrir ni de reparar el humidificador por sí mismo ya que ello anulará la garantía y podría causar daños a la UNIDAD o lesiones personales. Si el problema continúa, comuníquese con el centro de servicio al cliente.**

## ASISTENCIA AL CLIENTE

Envíe sus preguntas o comentarios a:

Honeywell  
Consumer Service Center  
250 Turnpike Road  
Southborough, MA 01772 USA

**Por favor especifique el número del modelo.**

Llámenos al número de teléfono de llamada gratis de larga distancia:  
1-800-332-1110

O visítenos en nuestro sitio web:  
[www.honeywell.com/yourhome](http://www.honeywell.com/yourhome)


## PRODUCTOS PARA EL MANTENIMIENTO

Si su representante local no tiene estos productos, usted puede encargar los repuestos y productos para el mantenimiento de Honeywell directamente, llamando al 1-800-332-1110 para hacer su pedido utilizando MasterCard, Visa o Discover, o llenando el formulario que aparece a continuación y enviándolo por correo junto con su cheque o giro bancario (lamentablemente no aceptamos pedidos contra reembolso), a:

Honeywell  
Consumer Service Center  
250 Turnpike Road  
Southborough, MA 01772 USA

La entrega demorará entre cuatro y seis semanas.  
Los residentes de Massachusetts deben agregar 5% por Impuesto de Venta.

### PRIX

Artículo	No. de Art.	Cant.	US	CAN	Total
Filtro de Natural Cool Moisture <sup>MR</sup> , uno por paquete	AC888		\$ 9.99	\$13.50	
Tratamiento Bacteriostático para humidificadores DuraSep <sup>®</sup> (32 onzas,1L)	AC802		5.00	6.75	
Ablandador de agua para humidificadores DuraFree <sup>®</sup> (32 onzas,1L)	AC817		5.00	6.75	
Limpiador para humidificadores DuraRinse <sup>®</sup> (32 onzas,1L)	AC816		5.00	6.75	
Base Rinse-to-Clean	HCM890-1		10.00	13.50	
Tanque de Agua y Tapa de Llenado	HCM890-2		19.99	27.00	
Tapa de Llenado	HCM890-3		5.00	6.75	
 Higrómetro y termómetro digital (°F/°C) <i>Mede la temperatura del sitio y nivel de humedad del sitio. Autoestable: se puede colocar en cualquier lugar en el sitio.</i>	HAC555		19.99	27.00	
<b>TOTAL PARCIAL</b>					
Los residentes de MA deben agregar 5% de Impuesto de venta/los residentes de Canadá deben agregar solamente 7% GST					
Gastos de envío y administración (Residentes de los EE.UU. deben agregar \$4.95/residentes de Canadá \$7.00)					
<b>TOTAL ADJUNTO</b>					
Nombre	Cheque o giro postal adjunto				<input type="checkbox"/>
Dirección	Tarjeta de crédito No.				<input type="checkbox"/>
	Fecha de vencimiento				
Teléfono durante el día	Firma				



## GARANTÍA LIMITADA

Términos y condiciones de la garantía limitada

Es importante que primero lea todas las instrucciones antes de tratar de usar este producto. **La tarjeta adjunta de Respuesta del Cliente debe ser completada y devuelta dentro de los 7 días de la compra.**

- A. Esta garantía limitada de 5 años cubre la reparación o sustitución del producto cuyos materiales o cuya mano de obra se consideren defectuosos durante el período de garantía. Esta garantía no cubre daños ocasionados por uso comercial, abusivo, irrazonable o daños adicionales. Los defectos que sean el resultado del desgaste normal no se considerarán como defectos de fabricación bajo esta garantía. Es importante que usted lea primero el manual de instrucciones antes de tratar de usar este producto. EL FABRICANTE no se hará responsable de ningún daño incidental o consecuente de ningún tipo. **TODA GARANTÍA IMPLÍCITA DE COMERCIABILIDAD O IDONEIDAD PARA UN FIN ESPECÍFICO SOBRE ESTE PRODUCTO, ESTÁ LIMITADA EN DURACIÓN, A LA DURACIÓN DE ESTA GARANTÍA.** Ciertas jurisdicciones no permiten la exclusión o limitación de daños incidentales o consecuentes, o las limitaciones sobre la duración de la garantía implícita, de manera que es posible que las limitaciones o exclusiones que preceden no correspondan en su caso. Esta garantía le otorga derechos legales específicos y es posible que usted también tenga otros derechos que varían de una jurisdicción a otra. Esta garantía cubre solamente al comprador inicial de este producto y se aplicará desde la fecha inicial de compra.
- B. A su juicio, el fabricante reparará o reemplazará este producto si se considera que sus materiales o su mano de obra son defectuosos dentro del período de garantía. El producto defectuoso deberá ser devuelto al lugar de compra conforme con la política de la tienda. De allí en adelante, mientras se encuentre dentro del período de garantía, todo producto defectuoso deberá ser devuelto al fabricante. **NOTA: ESTA GARANTÍA NO CUBRE EL FILTRO DE NATURAL COOL MOISTURE<sup>MR</sup>, CUYO DESEMPEÑO DEPENDERÁ DEL ESTADO DEL AGUA QUE SE USE EN EL HUMIDIFICADOR.**
- C. Esta garantía no cubre daños ocasionados por tentativas no autorizadas de reparar el producto o del uso del mismo en contravención de las indicaciones que aparecen en el manual de instrucciones.
- D. Devuelva el producto defectuoso, con flete pagado y prueba de compra, junto con cheque o giro postal por \$10.00 US/\$14.50 Can para cubrir gastos de administración, empaque de regreso y envío, al fabricante:

En los Estados Unidos:  
Attn: Returns Department  
South Point Distribution Center  
4755 South Point Drive  
Memphis, TN 38118 USA  
1-800-554-4558

En Canadá:  
Attn: Returns Department  
510 Bronte Street  
Milton, ON L9T 2X6, Canada  
1-800-554-4558

## Free Manuals Download Website

<http://myh66.com>

<http://usermanuals.us>

<http://www.somanuals.com>

<http://www.4manuals.cc>

<http://www.manual-lib.com>

<http://www.404manual.com>

<http://www.luxmanual.com>

<http://aubethermostatmanual.com>

Golf course search by state

<http://golfingnear.com>

Email search by domain

<http://emailbydomain.com>

Auto manuals search

<http://auto.somanuals.com>

TV manuals search

<http://tv.somanuals.com>