

## HE120 By-pass Drum Humidifier

### INSTALLATION INSTRUCTIONS



### Contents

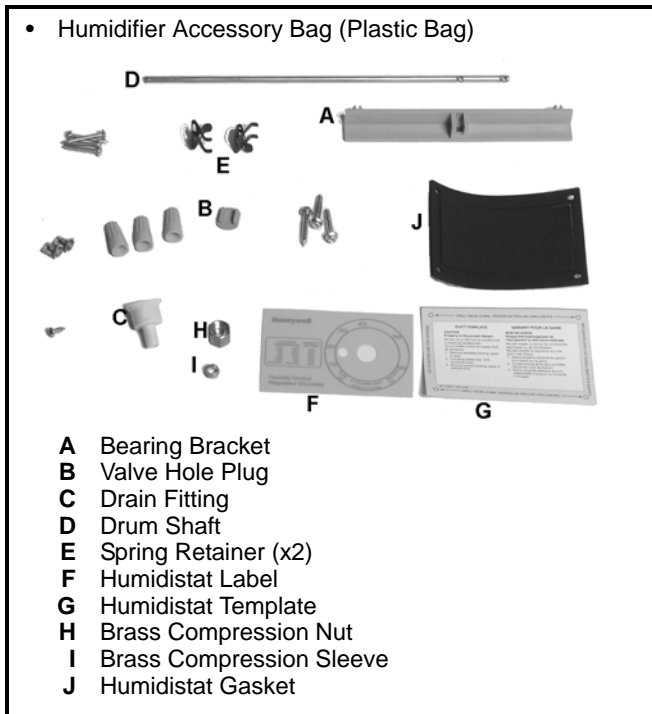
Unpacking the Unit .....	2
Before You Begin .....	4
STEP 1: Determine Best Location .....	4
STEP 2: Install Humidifier .....	5
STEP 3: Install Bypass Collar .....	7
STEP 4: Install Bypass Duct .....	9
STEP 5: Assemble Humidifier Drum .....	10
STEP 6: Assemble Humidifier .....	11
STEP 7: Install Drain .....	13
STEP 8: Install Saddle Valve .....	13
STEP 9: Install Water Line .....	15
STEP 10: Install Humidistat .....	16
STEP 11: Wiring .....	19
STEP 12: Testing and Checkout .....	20



69-1860EF-01

## UNPACKING THE UNIT

This box contains all of the parts necessary to install your new Honeywell HE120 Humidifier in most installations. Before continuing, please take the time to familiarize yourself with these components.



- Closed Drum End



- Open Drum End



- Bypass Duct (6 in. dia. Flexible)

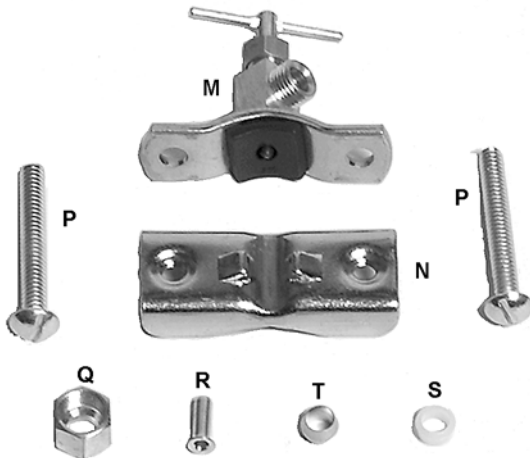


- Damper

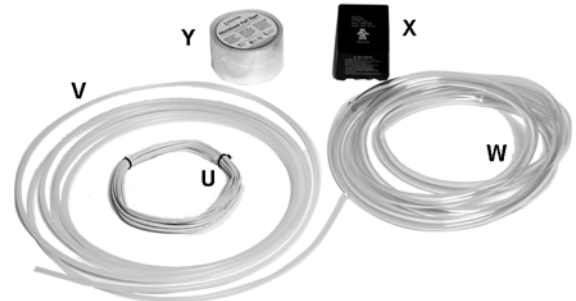


- Bypass Collar

- Saddle Valve Kit (Small Plastic Bag)

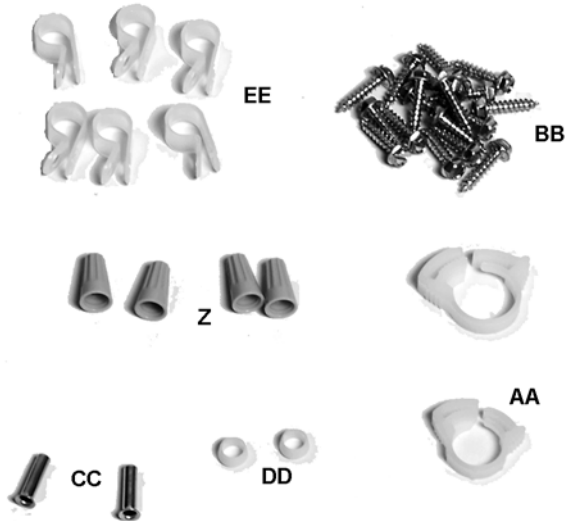


- M** Saddle Valve
- N** Bracket
- P** #10 x 1-3/4 in. Machine Screws (x 2)
- Q** Brass Compression Nut
- R** Brass Insert
- S** Plastic Compression Sleeve
- T** Brass Compression Sleeve



- U** 18-gauge two-strand thermostat wire (20 ft.)
- V** 1/4 in. plastic water tubing (20 ft.)
- W** 3/8 in. inside diameter, 1/2 in. outside diameter plastic Overflow Tube (10 ft.) [Not Included]
- X** Plug-in Transformer
- Y** Duct Tape (10 yds.)

- Installation Accessory Kit (Plastic Bag)



- Z** Wire Nuts (x4)
- AA** 1/2 in. Tube Clamp (smaller)
- BB** #8 x 3/4 in. Sheet Metal Screws (x 18)
- CC** Brass Insert (x2)
- DD** Plastic Compression Sleeve (x2)
- EE** Tube retainers (x6)

## Tools

You will need the following tools to complete the installation:

- Tin snips
- Screwdriver
- Adjustable wrench or 1/2 in. open-end wrench
- Drill
- Drill bits
- Level
- Marker
- Wire stripper
- Utility knife
- Scissors

## BEFORE YOU BEGIN

### When Installing this Product...

1. Read these instructions carefully. Failure to follow them could damage the product or cause a hazardous condition.
2. Installation of this Humidifier requires several steps. Read and understand instructions completely before beginning installation.
3. After installation is complete, check out product operation as provided in these instructions.

## STEP 1: DETERMINE BEST LOCATION

### CAUTION

**Freezing Water Hazard.**

**Can result in water damage to property.**

Locate Humidifier where the ambient temperature is between 32°F and 160°F.

1. Select a location to mount the Humidifier on the supply (warm air) or return duct. See Fig 1.
  - Select a location that can not damage the air conditioner coil during installation.
  - Do not locate Humidifier on furnace cabinet.
  - Allow adequate clearance in front of and above the Humidifier so you can easily remove cover and perform maintenance.
  - Allow enough space for the drain or overflow tube.
  - Mount Humidifier in conditioned (heated) space to prevent freezing.
  - Select a location where the 3 ft. of Bypass Duct is adequate to connect the Humidifier to the Bypass Collar.

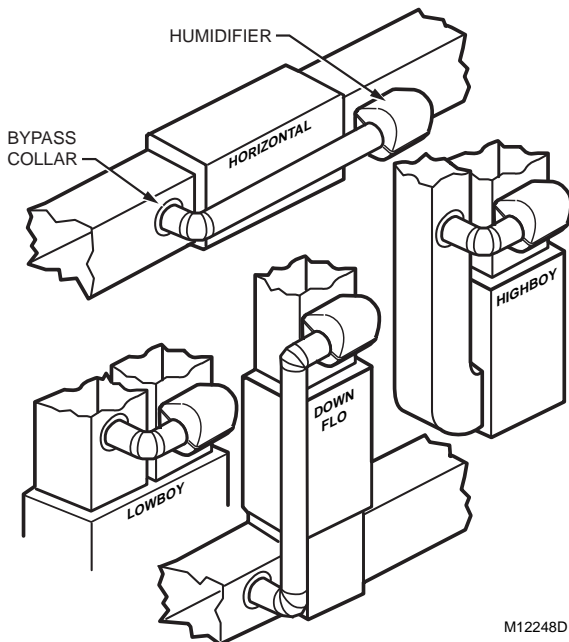


Fig. 1. Typical Humidifier installation locations.

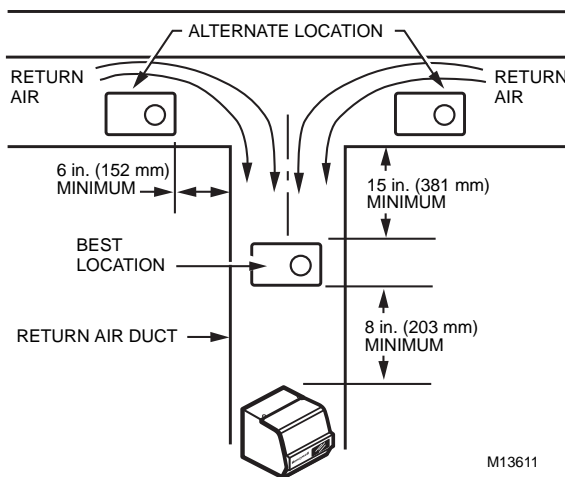
NOTE: The Bypass Duct can be connected to either side of the Humidifier Housing. See Fig. 2.

2. Select a location for the Bypass Collar on the opposite duct. See Fig. 1. (The Humidifier is designed to allow Bypass Duct mounting on either side of the Humidifier. See Fig. 2.)
  - Do not locate Bypass Collar on furnace cabinet.
  - Select a location where the 3 ft. of Bypass Duct is adequate to connect the Humidifier to the Bypass Collar.
  - Allow enough room for the optional Damper.



Fig. 2. Available Bypass configurations.

3. Select a location for the Humidistat.
  - Humidistat can be mounted on the return duct or on the wall in the main living space. (Return duct mounting is easiest for installing wiring.)
  - For return duct mounting, the Humidistat must be mounted upstream from the Humidifier and Bypass Collar so it is properly sensing the relative humidity of the house. See Fig. 3.
  - Locate the control at least 8 in. upstream from the Humidifier or Bypass Collar in the return air duct.



**Fig. 3. Selecting duct location for Humidistat and Humidifier.**

4. Select a water supply location
  - Use either hard or soft water in the Humidifier.
  - Use either hot or cold water in the Humidifier.
  - Make sure 20 ft. of Plastic Water Tubing is long enough to connect the water supply (saddle valve) to the Humidifier.
  - Make sure saddle valve is accessible after installation.
5. Locate 120V Electrical Outlet.
  - Select a location with access to an outlet. If an outlet is not available, contact an electrician to have one installed.
  - Make sure the 20 ft. of Thermostat Wire is adequate to reach from the Humidifier motor to the Humidistat, and the Humidistat to the Plug-in Transformer.
6. Locate Closest Floor Drain.
  - Select location with access to floor drain, if available.
  - Overflow drain is required in applications where water overflow could cause flooding or property damage.
  - If an overflow drain is needed, make sure Overflow Tubing is long enough to reach from the Humidifier to the floor drain.

**NOTE:** Every installation is unique. Please ensure that water, power, and drain are available before installing the device. In some cases, additional wire, tubing, or duct may need to be purchased in order to correctly install the Humidifier.

## STEP 2: INSTALL HUMIDIFIER

### **⚠ WARNING**

**Hazardous Voltage.**

**Can cause personal injury or equipment damage.**  
Do not cut or drill into any air conditioning or electrical accessory.

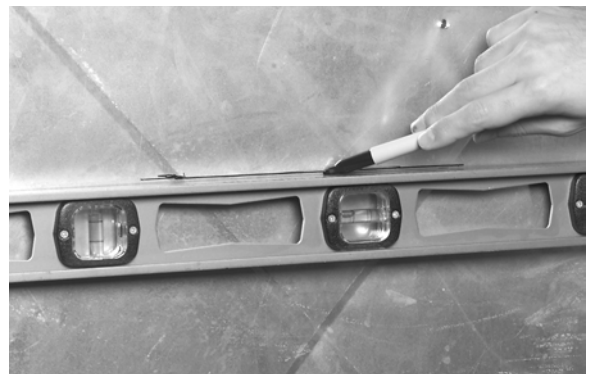
### **⚠ CAUTION**

**Sharp Edges Installation Hazard.**

**Can cause personal injury.**  
Wear gloves and safety glasses.

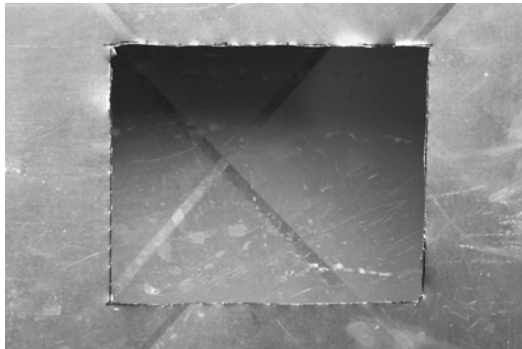
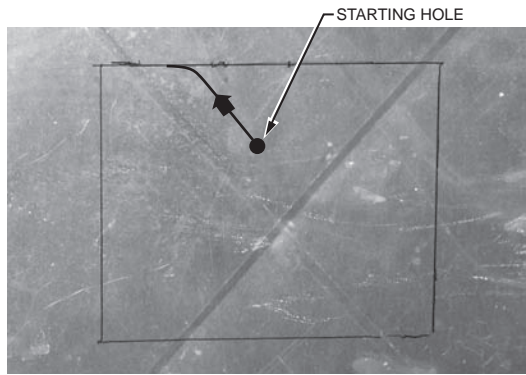
1. Turn off power to heating and cooling system.
2. Draw a level line on the duct in the location chosen for the Humidifier. (Leveling assures optimal performance.) See Fig. 4.

**NOTE:** There must be at least 1-1/2 in. of duct above the line and 8-1/2 in. of duct below the line for proper installation. The duct must also be at least 11 in. wide for proper installation.



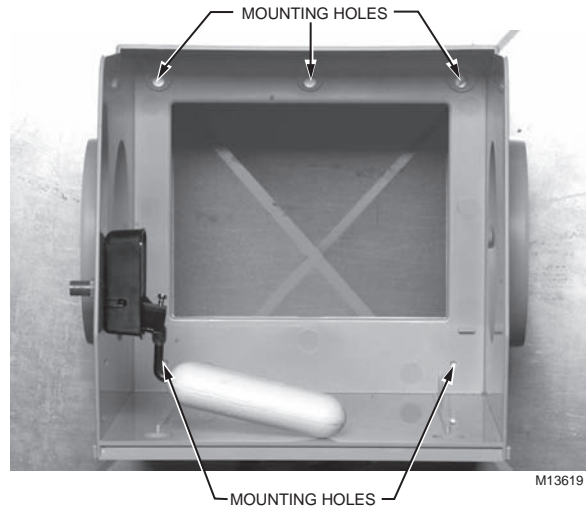
**Fig. 4. Marking template location.**

3. Cut out template on page 22.
4. Tape template in position and trace around the template with a marker.
5. Remove the template and carefully cut the rectangular opening using tin snips. See Fig. 5. (Use a drill to start the cut in the middle of the rectangle.)



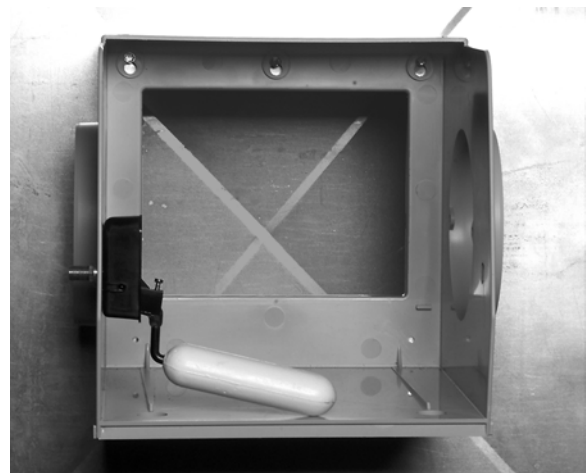
**Fig. 5. Cutting Humidifier opening.**

6. Disassemble the Humidifier; remove the cover by lifting up on the front edge and take out the drum components, Water Pan, and Motor Plate.
7. Position the HE120 Humidifier Housing over the opening (make sure it is level) and mark the five mounting holes. See Fig. 6.
8. Remove the HE120 Humidifier Housing and pre-drill the mounting holes using a 1/8 in. drill bit
9. Start the three #8 x 3/4 in. Sheet Metal Screws in the top holes.



**Fig. 6. Marking Mounting Hole locations.**

10. Place the Humidifier Housing over the screws, level the housing and tighten the three screws. See Fig. 7.
11. Secure the bottom of the Humidifier Housing using two #8 x 3/4 in. Sheet Metal Screws.



**Fig. 7. Mounting Humidifier.**

12. Check that the Humidifier is level.

## STEP 3: INSTALL BYPASS COLLAR

### **⚠ WARNING**

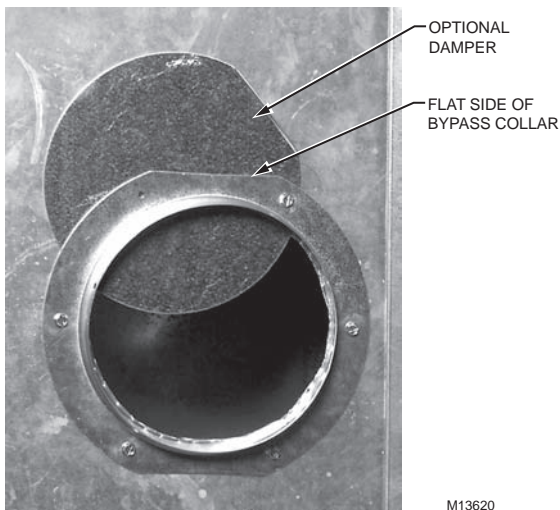
**Hazardous Voltage.**  
**Can cause personal injury or equipment damage.**  
 Do not cut or drill into any air conditioning or electrical accessory.

### **⚠ CAUTION**

**Sharp Edges Installation Hazard.**  
**Can cause personal injury.**  
 Wear gloves and safety glasses.

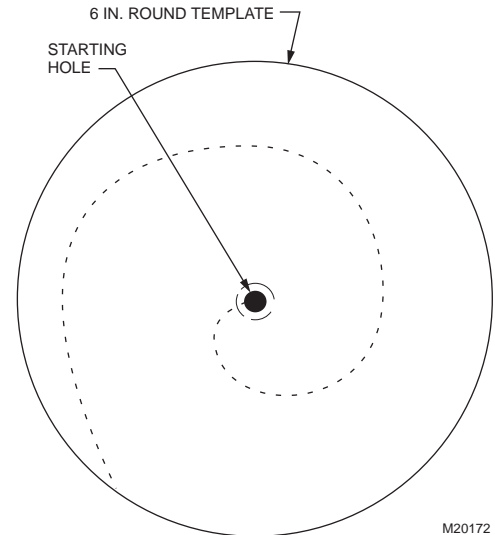
**NOTE:** This Humidifier is supplied with an optional damper to shut off air flow to the unit during the summer. This damper is required for homes with air conditioning.

1. Position the 6 in. Bypass Collar on the duct so that all six mounting holes are over the duct. (If you are installing the optional damper, it is recommended that the flat side of the Bypass Collar face up.) See Fig. 8.



**Fig. 8. Mounting Bypass Collar (Optional Damper shown).**

2. Trace around the inside of the collar and mark the location of the mounting holes with a marker.
3. Remove the collar and carefully cut out the circular opening using tin snips. See Fig. 9. (Use a drill to start the cut in the middle of the circle. Cut in an outward spiral to assist in controlling the cut.)



**Fig. 9. Cutting Bypass hole.**

4. Pre-drill the mounting holes using a 1/8 in. drill bit. If you are installing the optional Damper, do not drill the hole where the damper blade will swing. See Fig. 10.

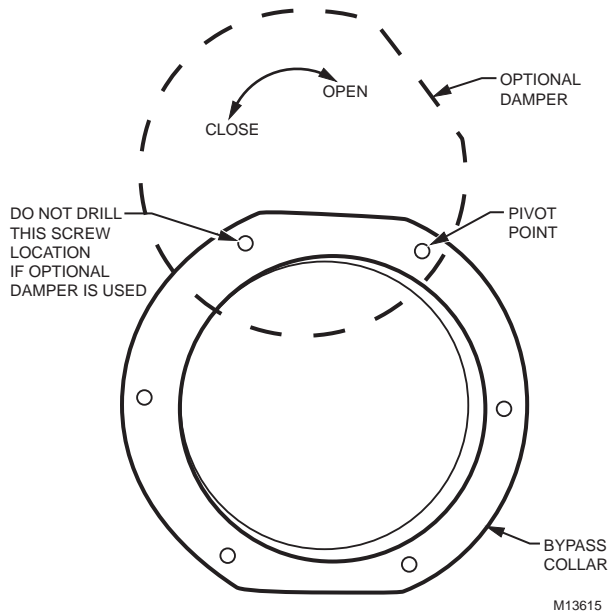


Fig. 10. Drill pattern.

5. If you are installing the Optional Damper, place a #8 X 3/4 in. Sheet Metal Screw through the Bypass Collar and Damper, as shown in Figure 11.

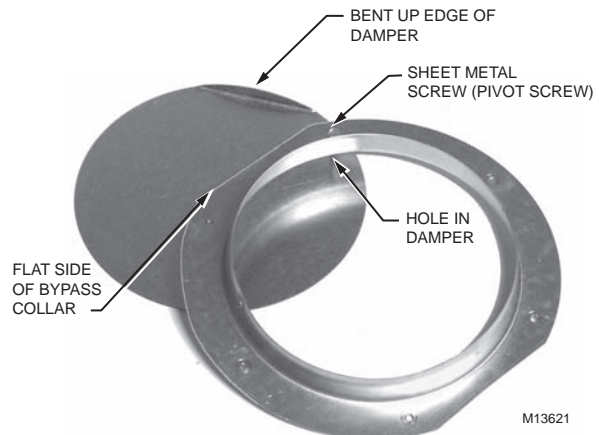


Fig. 11. Installing Optional Damper.

6. Place the Damper into position and install using #8 x 3/4 in. Sheet Metal Screws.
7. If you installed the optional Damper, check that it opens and closes correctly. (If necessary, tighten or loosen the pivot screw to make it open and close correctly.)

NOTE: The Damper will not cover all of the opening in the duct when closed. A small amount of leakage when closed is acceptable.



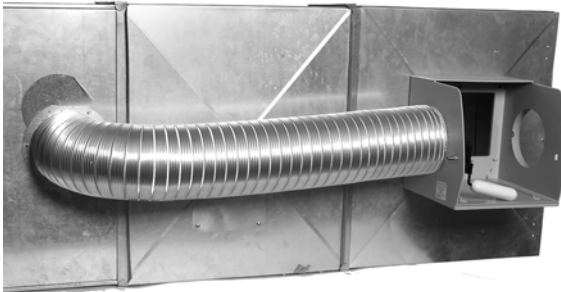
## STEP 4: INSTALL BYPASS DUCT



### CAUTION

**Sharp Edges Installation Hazard.**  
**Can cause personal injury.**  
 Wear gloves and safety glasses.

1. Carefully stretch out flexible Bypass Duct between Bypass Collar and Humidifier. See Fig. 12.



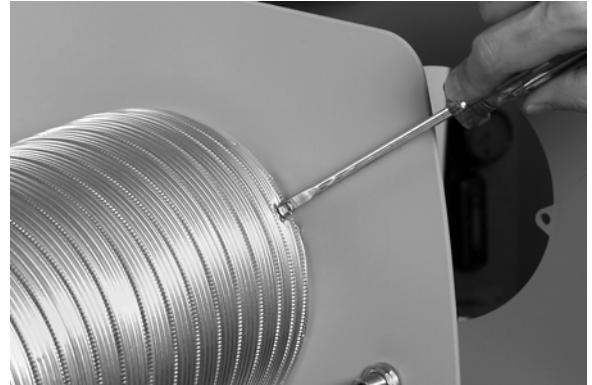
**Fig. 12. Installing flex duct.**

2. Secure Bypass Duct to Bypass Collar using at least two #8 x 3/4 in. Sheet Metal Screws. See Fig. 13. (Drill pilot holes using 1/8 in. drill bit.)



**Fig. 13. Connecting Bypass Duct to Bypass Collar.**

3. Secure Bypass Duct to Humidifier using at least three #8 x 3/4 in. Sheet Metal Screws. See Fig. 14. (Drill pilot holes using 1/8 in. drill bit.)



**Fig. 14. Connecting Bypass Duct to Humidifier.**

4. Seal both duct connections with Duct Tape. See Fig. 15.

### IMPORTANT

*Use only duct rated metallized duct tape to seal duct connections.*

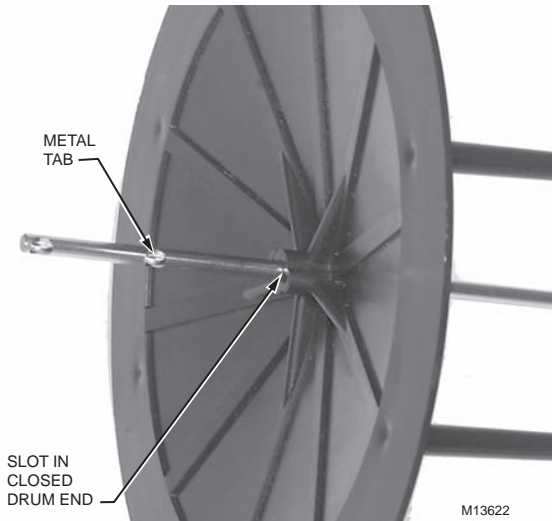


**Fig. 15. Sealing connections with tape.**

5. If you installed the optional Damper, check that it opens and closes correctly. (It may be necessary to cut or move duct tape to allow proper operation of the damper.)

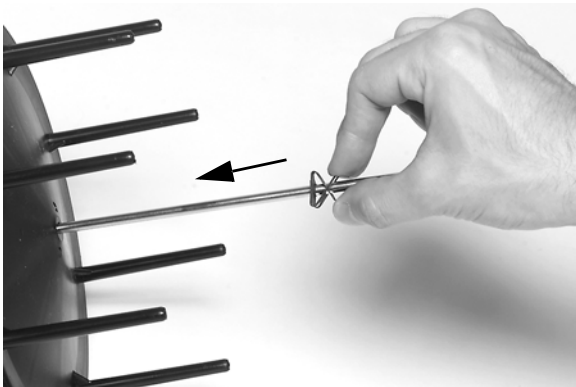
## STEP 5: ASSEMBLE HUMIDIFIER DRUM

1. Slide Closed Drum End over Drum Shaft with round posts facing away from metal tabs. See Fig. 16. (Slots in cone end should rest over metal tab.)



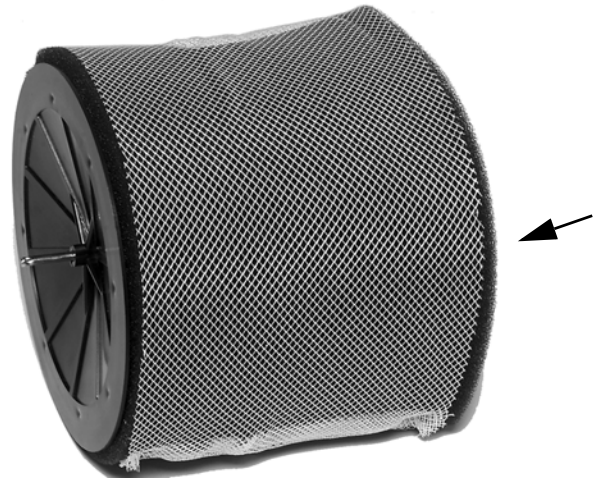
**Fig. 16. Installing Closed Drum End.**

2. Secure Closed Drum End to Drum Shaft using Spring Retainer. See Fig. 17. (Squeeze spring ends slightly to install.)



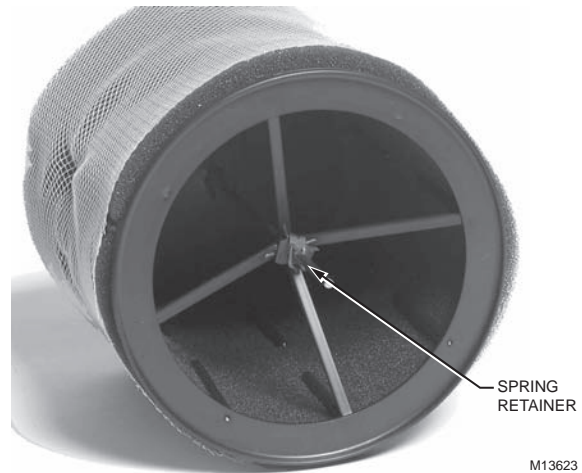
**Fig. 17. Installing Spring Retainer.**

3. Slide Humidifier Pad over closed drum end posts. See Fig. 18.



**Fig. 18. Installing Humidifier Pad.**

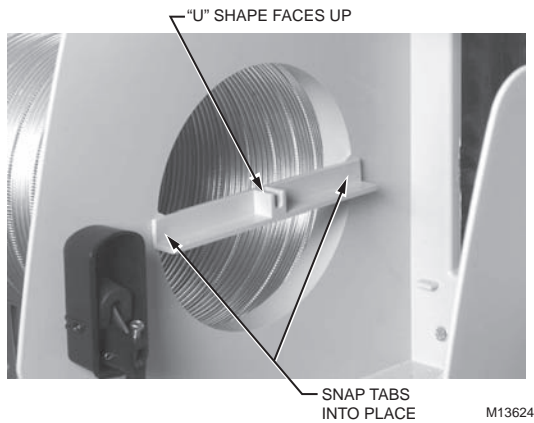
4. Slide Open Drum End over Drum Shaft with round posts inside Humidifier Pad. See Fig. 19.
5. Secure Open Drum End to shaft using Spring Retainer. (Squeeze spring ends slightly to install.)



**Fig. 19. Installing Open Drum End.**

## STEP 6: ASSEMBLE HUMIDIFIER

1. Position the Bearing Bracket inside the Humidifier Housing to the side where the Bypass Duct is connected. Make sure the "U" shape is pointing up. See Fig 20.



**Fig. 20. Installing Bearing Bracket.**

2. Snap the Bearing Bracket into place.
3. Position the Motor Plate on the opposite side of the Humidifier Housing with the wires at the bottom. See Fig 21.



**Fig. 21. Installing Motor Plate.**

4. Snap Motor Plate into place.

5. Place motor lead wires through bottom hole of Motor Cover and snap into place on outside of Humidifier. See Fig. 22.

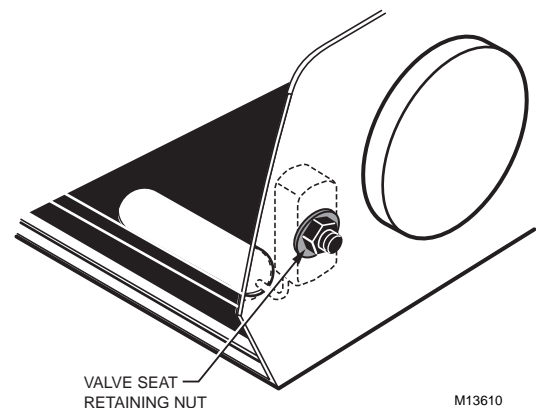


**Fig. 22. Installing Motor Cover.**

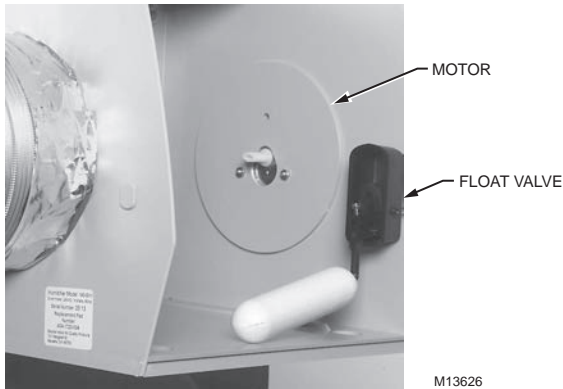
6. Install the Float Valve to the Humidifier Housing on the same side as the Motor Plate. See Fig. 24. (If the Float Valve is already installed on the same side as the Motor Plate, skip this step.)
  - a. Unscrew Float Valve Retaining Nut using a 1/2 in. wrench. See Fig. 23.
  - b. Remove Float Valve from housing.
  - c. Place Float Valve Stem through "D" hole on same side as the motor. See Fig. 24. (Float must be at bottom.)
  - d. Place Float Valve Washer over Float Valve Stem with recessed side of washer against the Humidifier wall. See Fig. 25.
  - e. Secure Float Valve using Float Valve Retaining Nut and tighten with 1/2 in. wrench. See Fig. 23.

### **IMPORTANT**

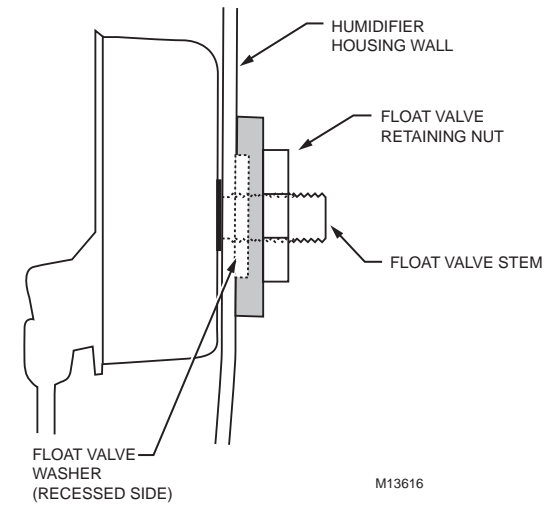
The Float Valve must be installed on the same side of the Humidifier as the motor.



**Fig. 23. Float Valve Retaining Nut.**

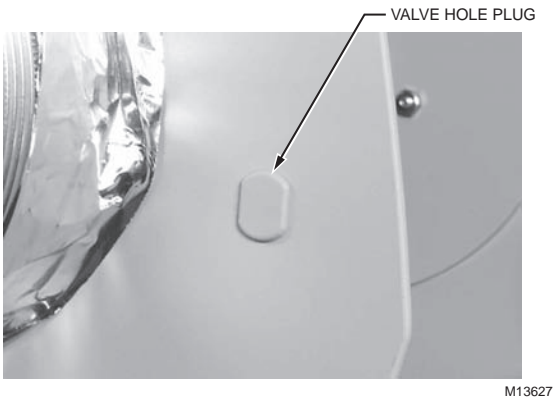


**Fig. 24. Correct Float Valve position.**



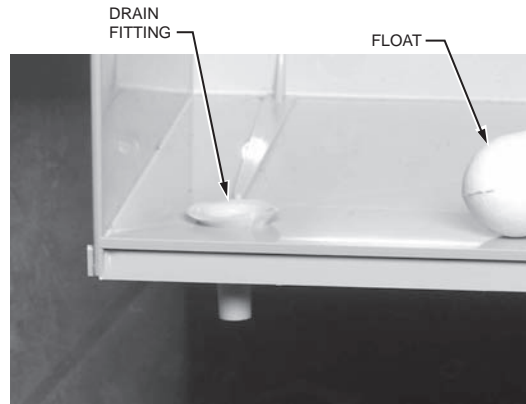
**Fig. 25. Re-installing Float Valve.**

7. Insert the Valve Hole Plug in the "D" hole on the opposite side of the Float Valve. See Fig. 26.



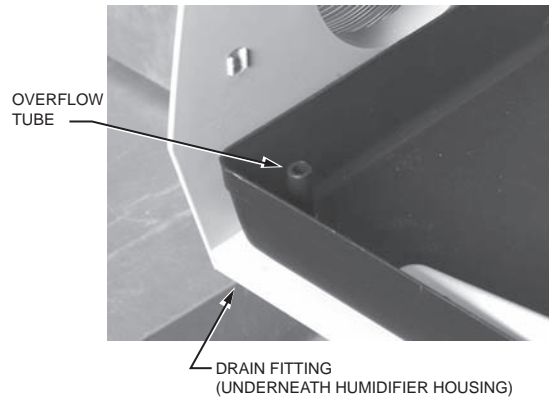
**Fig. 26. Installing Valve Hole Plug.**

8. Insert the Drain Fitting into the bottom of the Humidifier on the same side as the Bypass Duct. See Fig. 27.



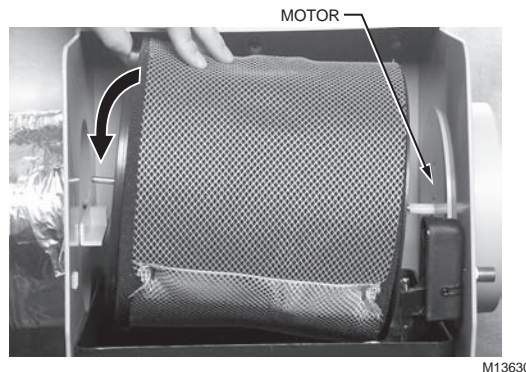
**Fig. 27. Installing Drain Fitting.**

9. Place the Water Pan in the Humidifier Housing so Overflow Tube is above previously installed Drain Fitting. See Fig. 28.



**Fig. 28. Installing Water Pan.**

10. Install Humidifier Drum by inserting motor coupling end first, then snapping it into the bearing. See Fig. 29.



**Fig. 29. Installing Humidifier Drum.**

11. Snap Humidifier Cover into place.

## STEP 7: INSTALL DRAIN

### CAUTION

#### Water Hazard.

Can result in water damage to property.

Install overflow drain in applications where water damage can result from Float Valve failure.

1. Slide the 1/2 in. Overflow Clamp over the 3/8 in. inside diameter, 1/2 in. outside diameter Overflow Tube. See Fig. 30.
2. Push the Overflow Tube over the Drain Fitting.
3. Hand-tighten the Clamp around the Overflow Tube and the Drain Fitting.
4. Fasten the Overflow Tube (can use duct tape) along the route to the drain to prevent movement and ensure downward slope.
5. Cut Overflow Tube to length so the tubing terminates at the drain or bucket using a utility knife.

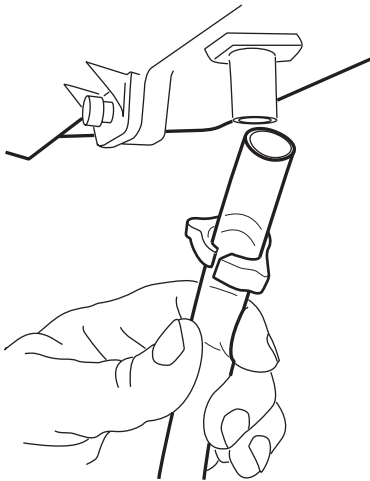


Fig. 30. Installing overflow tube.

#### IMPORTANT

Overflow Tube must follow downward slope from Humidifier to drain for correct draining.

## STEP 8: INSTALL SADDLE VALVE

### CAUTION

#### Chemical Hazard.

Can cause personal injury or equipment damage.

Do not use any line connected to an air conditioner.

Do not use gas line.

#### IMPORTANT

Do not turn handle before or while installing the saddle valve. Be sure the piercing lance does not protrude beyond the rubber gasket. Failure to do this may damage piercing needle.

To prevent debris from clogging the Float Valve, do not install the saddle valve with the handle pointing toward the floor.

NOTE: This saddle valve can be used with either copper or steel/brass pipe. Please refer to the correct instructions for your application.

#### Copper Pipe:

1. Shut off the water. (Either hot or cold water and either hard or softened water can be used in the Humidifier.)
2. Turn handle counter clockwise until piercing lance is below the rubber gasket. See Fig. 31.

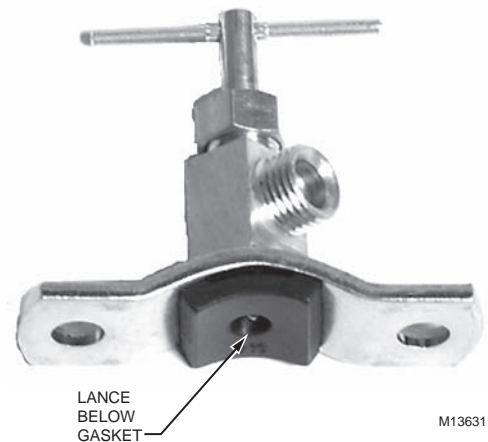


Fig. 31. Positioning Saddle Valve for installation with Copper Pipe.

3. Assemble saddle valve over copper tube using #10 x 1-3/4 in. machine screws. See Fig. 32.

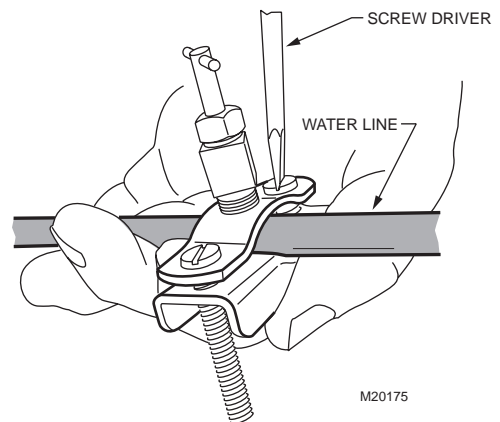
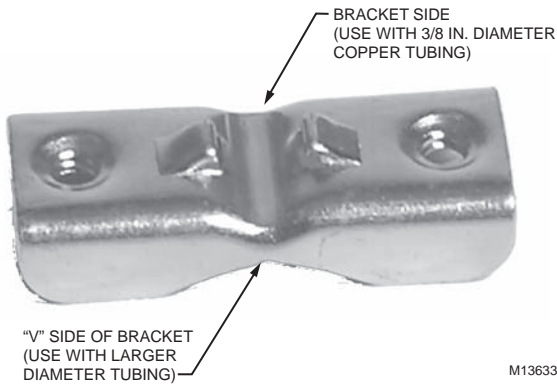


Fig. 32. Installing Saddle Valve.

- a. For 3/8 in. diameter copper tubing use bracket side with projections to prevent distorting tube. See Fig. 33.
- b. Use "V" side of bracket for all other size tubing.



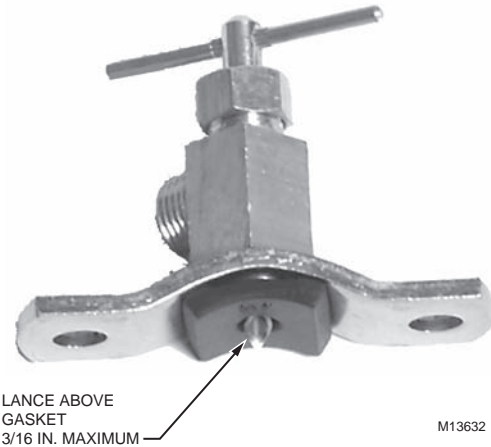
**Fig. 33. Saddle Valve Bracket installation.**

4. Tighten screws evenly – brackets should be parallel. Tighten firmly.

### Steel or Brass Pipe:

1. Shut off water supply and drain the line.
2. Drill a 3/16 in. hole in pipe. Use a cordless drill to avoid shock hazard.

3. Turn the handle to expose the lance beyond the gasket no more than 3/16 in. See Fig. 34.
4. Place valve body over hole such that lance fits into the drilled hole in the pipe.
5. Tighten bottom clamp evenly. Brackets should be parallel. See Fig. 32.
6. Turn handle clockwise to close the valve.
7. Open water supply.



**Fig. 34. Positioning Saddle Valve for installation with steel pipe.**

## STEP 9: INSTALL WATER LINE



### CAUTION

#### Water Hazard.

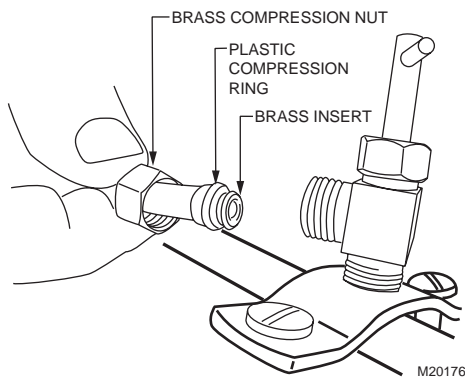
#### Can result in water damage to property.

Properly secure water line along route to prevent movement and provide support at compression nut joints.

#### IMPORTANT

*Be sure to check with your local building codes to determine if the Plastic Water Tubing packaged with the Humidifier is appropriate for your installation. (Some local building codes require 1/4 in. copper tubing to be used.)*

1. Place Brass Compression Nut over Plastic Water Tubing. See Fig. 35.



**Fig. 35. Connecting plastic water line.**

2. Slide the Plastic Compression Sleeve over the Tubing.
3. Install Brass Insert into end of Plastic Water Tubing.

**NOTE:** To prevent leaking, use Plastic Compression Sleeve only with Plastic Tubing and Copper Compression Sleeve only with copper tubing.

4. Insert the tubing into the saddle valve fitting.
5. Support the valve while tightening the Brass Compression Nut with an 1/2 in. open-end or adjustable wrench.
6. Route Plastic Water Tubing from saddle valve to Humidifier Float Valve Fitting. Secure Plastic Water Tubing along the route with Tube Retainers to prevent movement.
7. Cut Plastic Water Tubing to length. (Do not cut tubing too short.)
8. Repeat steps A through E to attach Tubing to Float Valve Fitting.

## STEP 10: INSTALL HUMIDISTAT

### **⚠ WARNING**

**Hazardous Voltage.**  
**Can cause personal injury of equipment damage.**  
 Do not cut or drill into any air conditioning or electrical accessory.

### **⚠ CAUTION**

**Sharp Edges Installation Hazard.**  
**Can cause personal injury.**  
 Wear gloves and safety glasses.

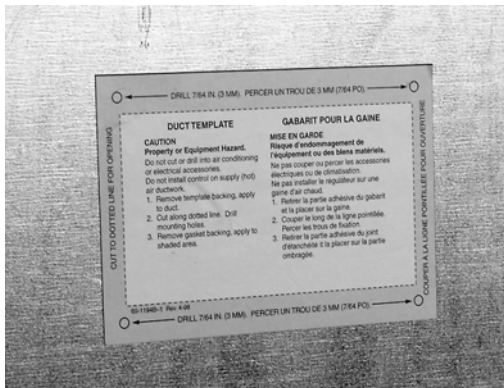
**NOTE:** The Humidistat included with this kit can be mounted on the return air duct (recommended) or mounted on a wall inside the home. Instructions are included for both wall and duct mounting.

### Duct Mounting (Recommended):

#### **IMPORTANT**

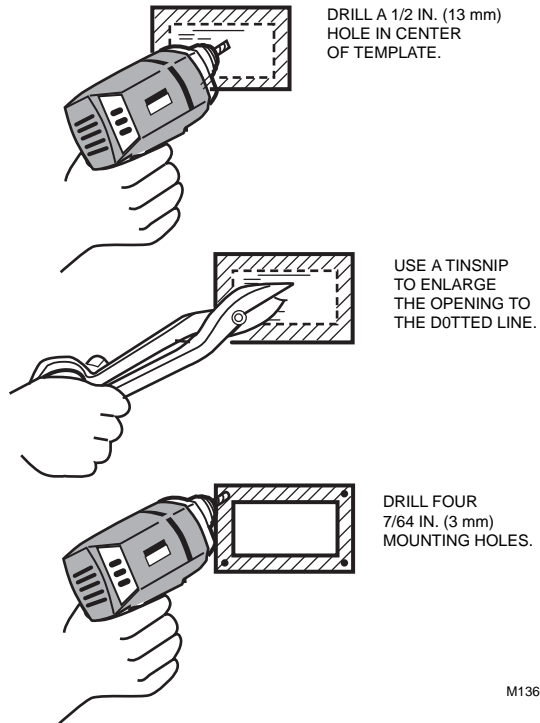
*If mounting near an elbow area, keep the control 8 in. upstream from the elbow so the element is exposed to the normal airflow. See Fig. 3 on page 5.*

1. Locate the Humidistat in the return air (cold) duct at least 8 in. upstream from the Humidifier or the Humidifier Bypass Collar.
2. Remove the backing on the Humidistat Mounting Template and adhere the Humidistat mounting template in a horizontal position on the duct. See Fig. 36.



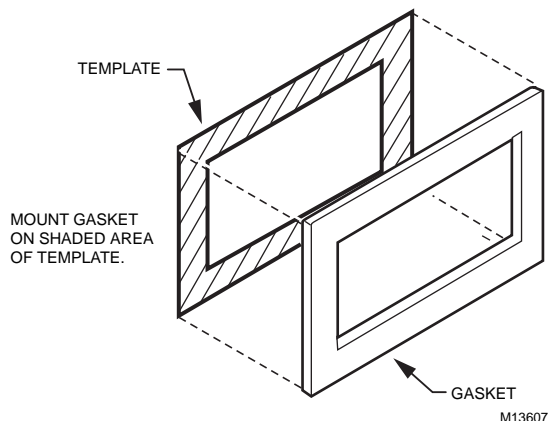
**Fig. 36. Securing Mounting Template.**

3. Refer to Fig. 37, and use the following steps to cut the Humidistat mounting hole.
  - a. Drill a 1/2 in. hole in the center of the template.
  - b. Use tin snips to cut the opening along the dotted lines.
  - c. Drill four 7/64 in. mounting holes



**Fig. 37. Cutting Humidistat opening.**

4. Remove the protective backing from the Humidistat Gasket and mount the Gasket on the shaded area of the template. See Fig. 38.



**Fig. 38. Installing Gasket.**

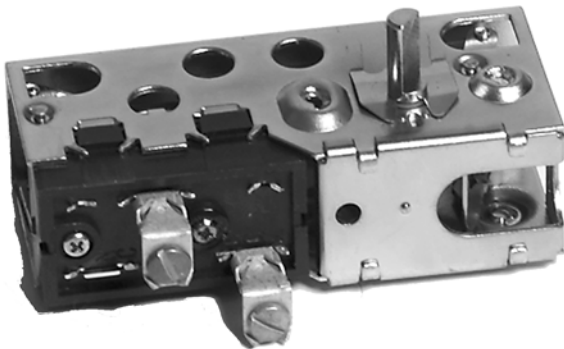


5. Unscrew Back Cover of the Humidistat and remove. See Fig. 39.



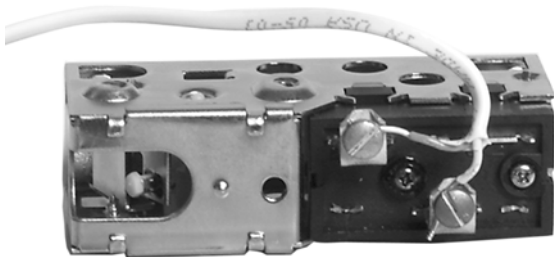
**Fig. 39. Removing Humidistat Back Cover.**

6. Snap two Screw Terminals over the blade terminals on the Control Assembly. See Fig. 40



**Fig. 40. Installing Screw Terminals.**

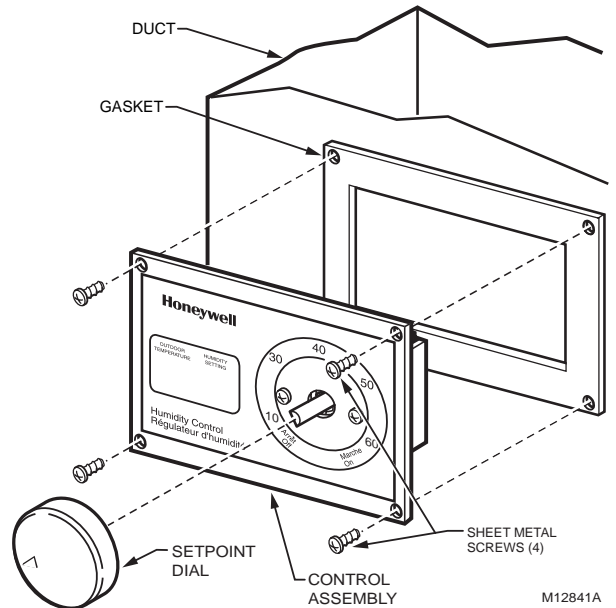
7. Connect the two low voltage control wires to the Screw Terminals on the Control Assembly. See Fig. 41.



**Fig. 41. Wiring Humidistat.**

8. Tuck excess wire into the recessed area on the back of the Base Plate.

9. Use four #6 x 1 in. Sheet Metal Screws to secure the assembly to the duct through the mounting holes. See Fig. 42.



**Fig. 42. Securing Humidistat to Duct.**

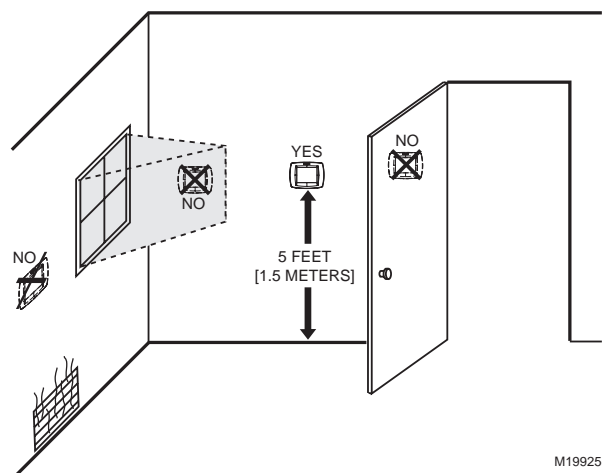
10. Push the Setpoint Dial knob onto the control shaft.

### Wall Mounting:

#### **IMPORTANT**

*Mount the control in an area with average room temperature and relative humidity.*

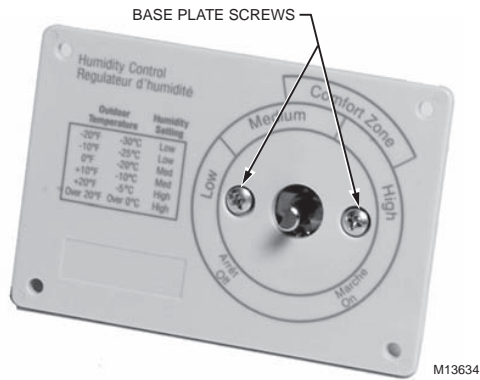
1. Locate the control about 5 ft. above the floor on an inside wall. See Fig. 43.



**Fig. 43. Selecting Humidistat location.**

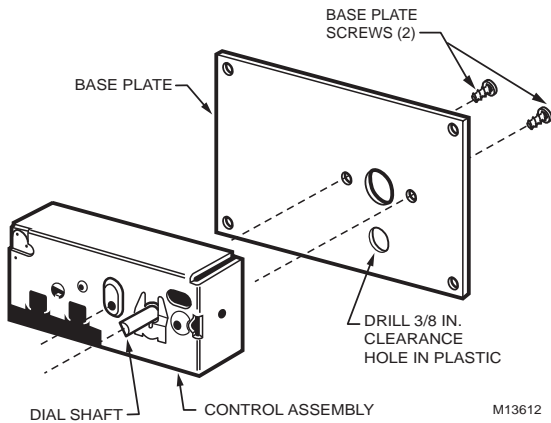
2. Drill a 3/8 in. hole in the wall
3. Run 18-gauge two-strand thermostat wire to the location and pull about 6 in. of wire through the hole.

4. Plug the hole with nonflammable insulation to prevent drafts from affecting the control.
5. Unscrew the Back Cover of Humidistat and remove. See Fig. 39.
6. Unscrew the two Base Plate screws and remove the Control Assembly. See Fig. 44.



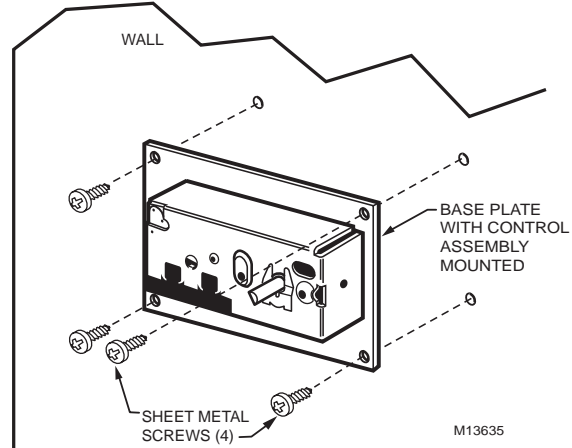
**Fig. 44. Removing Control Assembly from Base Plate.**

7. Snap two Screw Terminals over the blade terminals on the Control Assembly. See Fig. 40.
8. To assemble control for wall mounting (See Fig. 45):
  - a. Drill clearance hole in plastic Base Plate for low voltage wiring with 3/8 in. drill bit.
  - b. Turn over the Base Plate so text faces the wall.
  - c. Place the Control Assembly on the Base Plate with the dial shaft facing away from the plate.
  - d. Screw the Control Assembly to the Base Plate using the two Base Plate screws.



**Fig. 45. Mounting Humidistat.**

9. Position the Base Plate horizontally over the wire and pull the wire through the hole.
10. Connect the wires to the Screw Terminals on the Control Assembly. See Fig. 41 on page 17.
11. Secure Base Plate to the wall using four #6 x 1 in. Sheet Metal Screws. See Fig. 46.



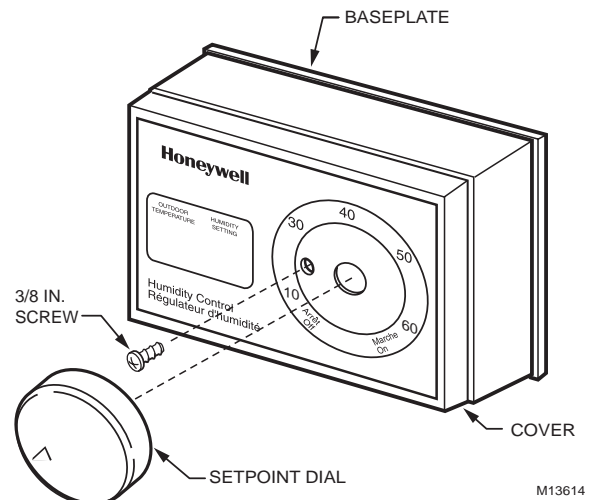
**Fig. 46. Mounting Humidistat.**

12. Remove the backing and adhere the Humidistat Label to the recessed area of the front of the Humidistat Cover. See Fig. 47.



**Fig. 47. Adhere Humidistat Cover Label.**

13. Secure the Humidistat Cover to the Control Assembly using one 3/8 in. screw. See Fig. 48
14. Push the Setpoint Dial onto the control shaft.



**Fig. 48. Assembling Humidistat Cover.**

## STEP 11: WIRING

### **⚠ WARNING**

**Hazardous Voltage.**  
**Can cause personal injury of equipment damage.**  
 Disconnect power supply before installing or servicing equipment.

#### **IMPORTANT**

*All wiring must comply with applicable code, ordinances and regulations.*

1. Run the 18-gauge two-strand Thermostat Wire from the Humidistat to the Transformer near a wall outlet and cut to length. (Leave adequate wire at both ends for connection.)

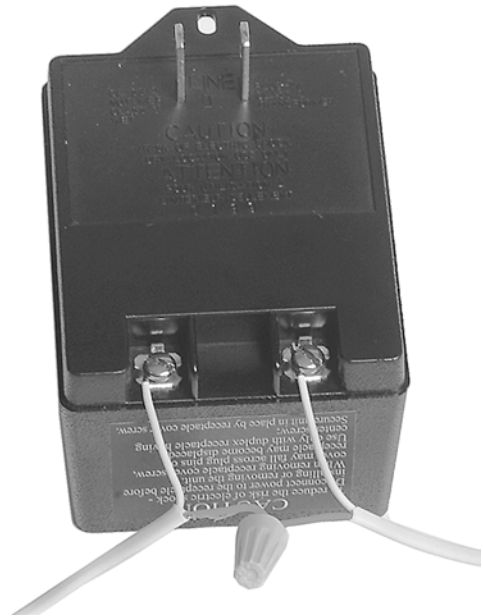
NOTE: Wire is already connected to the Humidistat.

2. Run the 18-gauge two-strand Thermostat Wire from the Humidifier to the Transformer and cut to length. (Leave adequate wire at both ends for connection.)
3. At the Humidifier, connect the red and white conductors to the two motor leads using wire nuts. See Fig. 49.



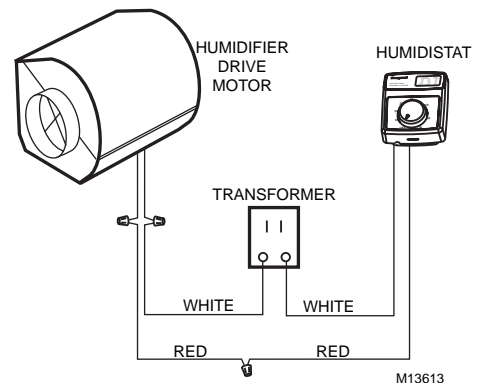
**Fig. 49. Wiring motor.**

4. At the transformer, connect both white conductors to the two transformer terminals. See Fig. 50.



**Fig. 50. Wiring Transformer.**

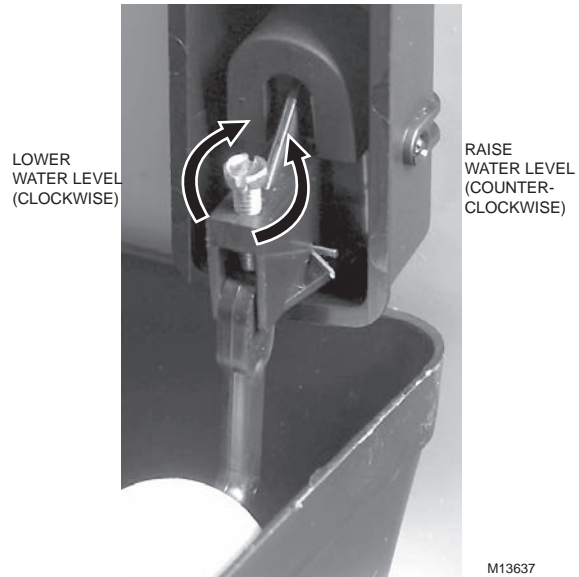
5. Use a wire nut to connect the red conductors together.
6. Secure thermostat wire along route to prevent movement (can use duct tape).
7. Check wiring per Fig. 51.



**Fig. 51. Wiring diagram.**

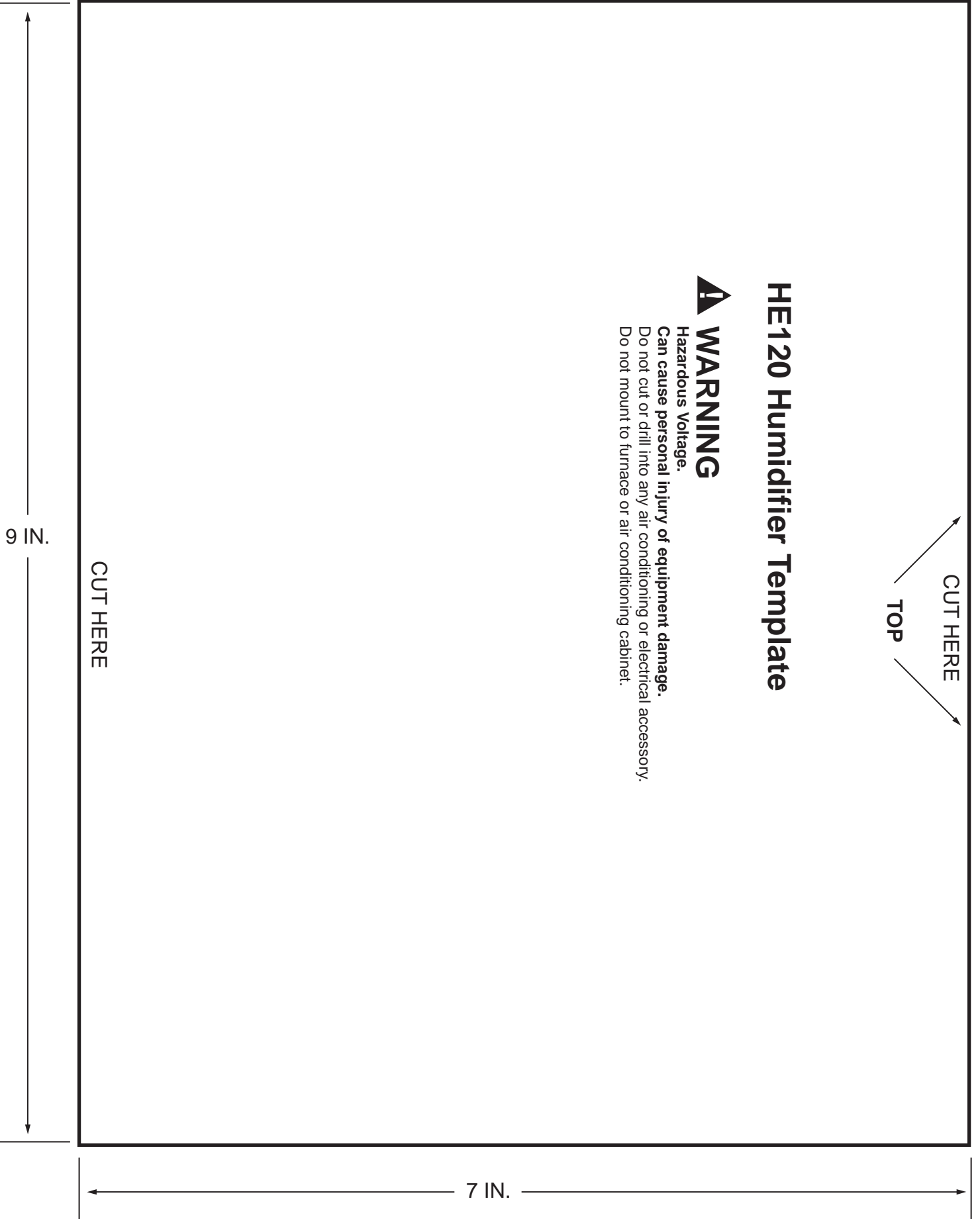
## STEP 12: TESTING AND CHECKOUT

1. Complete the following checklist:
  - Humidifier is level.
  - Bypass Collar is secured with Sheet Metal Screws.
  - Damper is open (If installed).
  - Control wiring was reviewed per wiring diagram. (Fig. 51).
  - Water supply line has no kinks.
  - Overflow drain line slopes continuously down, does not have kinks, and ends at floor drain or bucket.
2. Plug in transformer.
3. Open water supply. (Turn saddle valve clockwise until you feel it is firmly seated, then turn valve counter clockwise to start the water flow.)
4. Remove Humidifier Cover and verify that Water Pan fills and water shuts off before water enters Overflow Tube.
5. Adjust water level to 1-3/8 in. deep by turning the adjustment screw on the Float Valve. See Fig. 52. (Clockwise to lower water level, counter-clockwise to raise water level.)
6. Turn Humidistat "ON".
7. Make sure the Humidistat Drum Assembly is rotating.
8. Snap Humidifier cover into place.
9. Check for water leaks at the saddle valve fitting and Float Valve fitting. (If necessary, tighten fittings.)
10. Reset the Humidistat to a comfortable setting for automatic operation. (See owner's manual for more details.)



**Fig. 52. Adjusting water level.**





## HE120 Humidifier Template

### **WARNING**

**Hazardous Voltage.**  
**Can cause personal injury or equipment damage.**  
Do not cut or drill into any air conditioning or electrical accessory.  
Do not mount to furnace or air conditioning cabinet.

CUT HERE

9 IN.

7 IN.

CUT HERE  
TOP



**Automation and Control Solutions**

Honeywell International Inc.  
1985 Douglas Drive North  
Golden Valley, MN 55422  
customer.honeywell.com

Honeywell Limited-Honeywell Limitée  
35 Dynamic Drive  
Toronto, Ontario M1V 4Z9

© U.S. Registered Trademark  
© 2007 Honeywell International Inc.  
69-1860EF—01 M.S. 09-07



Printed in U.S.A. on recycled  
paper containing at least 10%  
post-consumer paper fibers.

**Honeywell**



## Humidificateur à dérivation à tambour HE120

NOTICE D'INSTALLATION

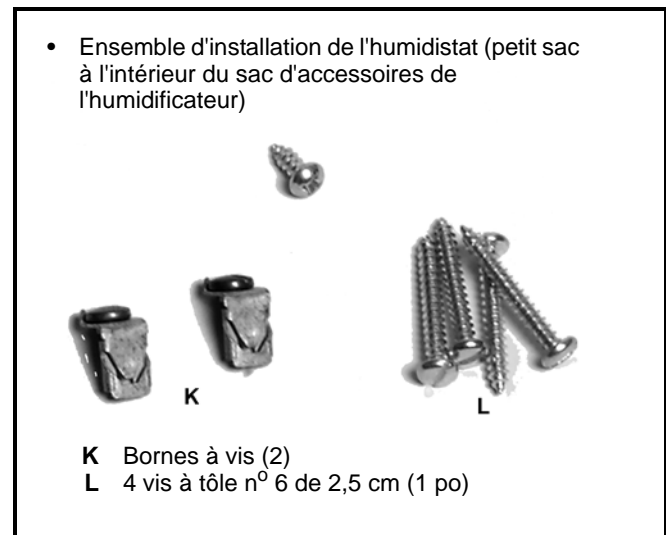
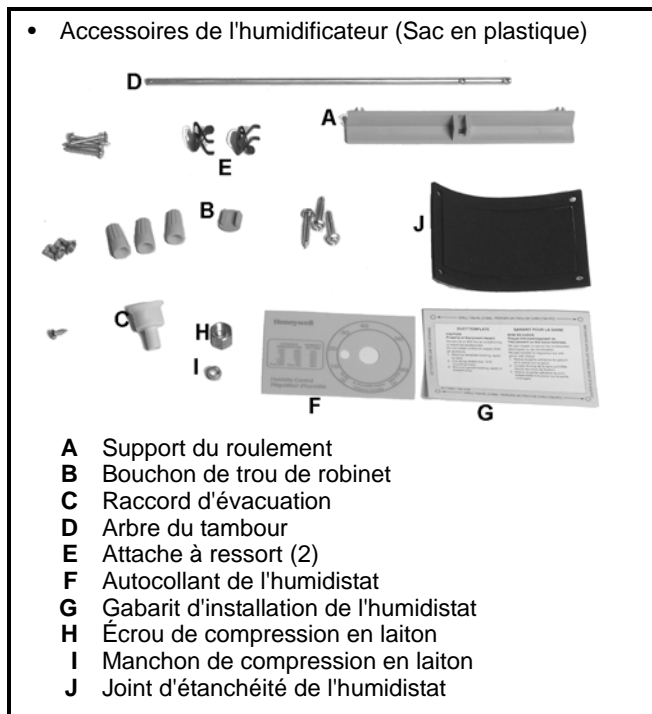
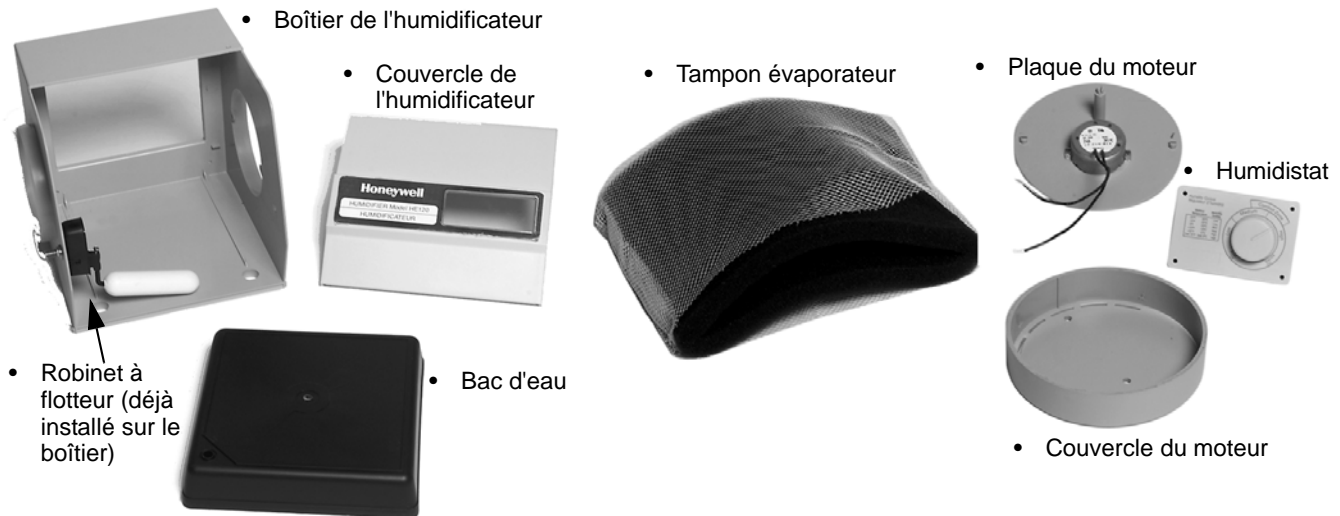


### Table des matières

Déballage de l'appareil .....	2
Installation .....	4
Étape 1 - Choix du meilleur endroit pour l'humidificateur .....	4
Étape 2 - Installation de l'humidificateur .....	5
Étape 3 - Installation du collet de dérivation .....	7
Étape 4 - Installation de la gaine de dérivation .....	9
Étape 5 - Assemblage du tambour de l'humidificateur .....	10
Étape 6 - Assemblage de l'humidificateur .....	11
Étape 7 - Installation du drain .....	13
Étape 8 - Installation du robinet-vanne à étrier .....	13
Étape 9 - Installation du tuyau d'eau .....	15
Étape 10 - Installation de l'humidistat .....	16
Étape 11 - Raccordement .....	19
Étape 12 - Essai et vérification .....	20

## DÉBALLAGE DE L'APPAREIL

Cette boîte contient toutes les pièces nécessaires pour installer l'humidificateur Honeywell HE120 dans la plupart des cas. Avant de continuer, il est préférable de se familiariser avec toutes ces pièces.



- Extrémité fermée du tambour



- Extrémité ouverte du tambour



- Gaine de dérivation flexible de 15 cm (6 po)

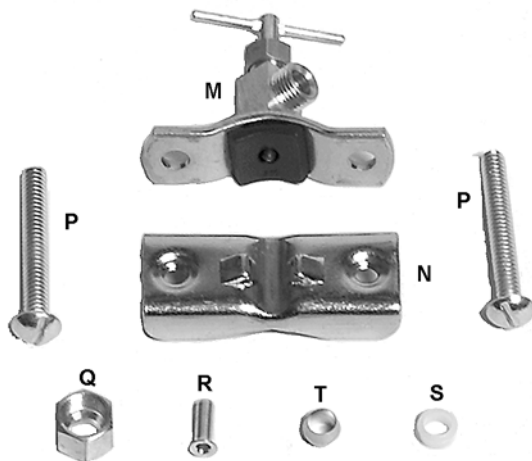


- Registre

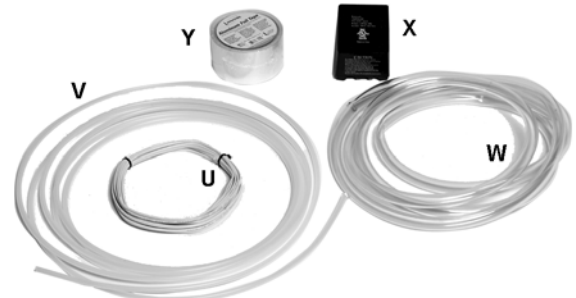


- Collet de dérivation

- Pièces du robinet-vanne à étrier (petit sac de plastique)

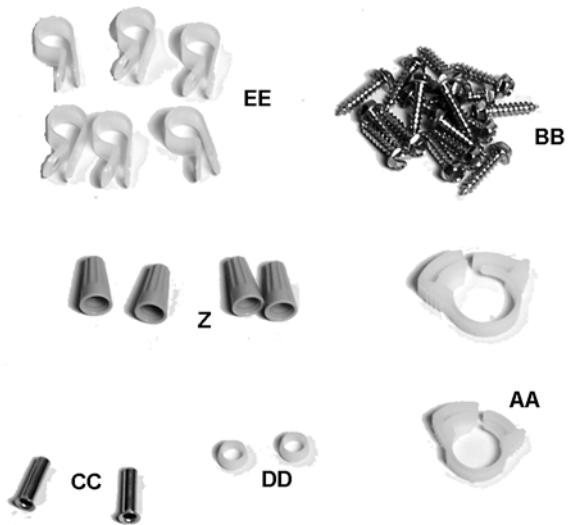


- M** Robinet-vanne à étrier
- N** Support
- P** 2 vis à tôle n° 10 de 4,5 cm (1 3/4 po)
- Q** Écrou de compression en laiton
- R** Garniture en laiton
- S** Manchon de compression en plastique
- T** Manchon de compression en laiton



- U** Fil de thermostat à deux conducteurs de calibre 18, 6 m (20 pi)
- V** Tuyau à eau en plastique de 0,64 cm (1/4 po), 6 m (20 pi)
- W** Tuyau de trop-plein en plastique de 0,95 cm (3/8 po) diam. int. et 1,27 cm (1/2 po) diam. ext., 3 m (10 pi). Non fourni.
- X** Transformateur enfichable
- Y** Ruban à conduits, 9 m (10 verges)

- Accessoires d'installation (Sac de plastique)



- Z** 4 connecteurs de fil
- AA** Bride à tuyau de 1,27 cm (1/2 po) (la plus petite)
- BB** 18 vis à tôle n° 8 de 1,9 cm (3/4 po)
- CC** Garnitures en laiton (2)
- DD** 2 manchons de compression en plastique
- EE** 6 fixations de tuyau

## Outils

Les outils suivants sont nécessaires pour effectuer l'installation :

- Cisailles à tôle
- Tournevis
- Clé réglable ou clé ouverte de 13 mm (1/2 po)
- Perceuse
- Ensemble de forets
- Niveau
- Crayon marqueur
- Outil à dénuder les fils
- Couteau tout usage
- Ciseaux

## INSTALLATION

### Avant d'installer ce produit...

1. Lire attentivement les présentes instructions. Le fait de ne pas les suivre risque d'endommager le produit ou de constituer un danger.
2. L'installation comprend plusieurs étapes. Il est important de bien comprendre les instructions de toutes les étapes avant de commencer l'installation.
3. Une fois l'installation terminée, vérifier le fonctionnement du produit comme indiqué aux présentes instructions.

## ÉTAPE 1 - CHOIX DU MEILLEUR ENDROIT POUR L'HUMIDIFICATEUR

### MISE EN GARDE

**RISQUE DE GEL DE L'EAU**  
**Peut causer des dégâts d'eau et faire des dommages matériels.**

Installer l'humidificateur dans un endroit où la température se situe entre 0 °C et 71 °C (32 °F et 160 °F).

1. Choisir l'endroit sur la gaine d'alimentation (air chaud) ou la gaine de retour d'air où installer l'humidificateur (voir la figure 1).
  - S'assurer qu'à l'endroit choisi, les serpentins de climatisation ne risquent pas d'être endommagés lors de l'installation.
  - Ne pas installer l'humidificateur sur le châssis de l'appareil de chauffage.
  - Prévoir un dégagement suffisant devant l'humidificateur et au-dessus pour enlever facilement le couvercle et faire l'entretien.
  - Prévoir suffisamment d'espace pour l'installation du tuyau de trop-plein.
  - Installer l'humidificateur dans un endroit chauffé pour prévenir le gel.
  - Choisir un endroit où la gaine de dérivation de 91 cm (3 pi) peut être raccordée au collet de dérivation de l'humidificateur.

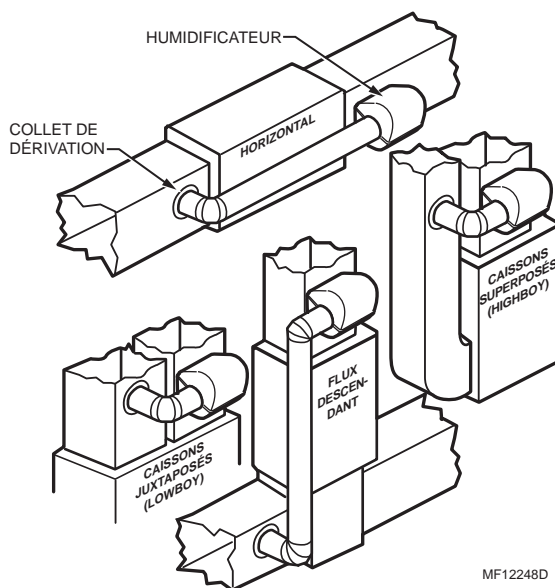


Fig. 1. Emplacements types de l'humidificateur.

REMARQUE : La gaine de dérivation peut être raccordée à n'importe quel côté du boîtier de l'humidificateur (voir la figure 2).

2. Choisir l'endroit où installer le collet de dérivation sur la gaine opposée. Voir la figure 1. (L'humidificateur est conçu pour permettre le montage de la gaine de dérivation sur l'un ou l'autre des côtés de l'appareil. Voir la figure 2.)
  - Ne pas installer le collet de dérivation sur le châssis de l'appareil de chauffage.
  - Choisir un endroit où la gaine de dérivation de 91 cm (3 pi) peut être raccordée au collet de dérivation de l'humidificateur.
  - Prévoir suffisamment d'espace pour l'installation du registre optionnel.



Fig. 2. Configurations possibles de la gaine de dérivation.

3. Déterminer l'endroit où monter l'humidistat.
  - L'humidistat peut être installé sur la gaine de retour d'air ou sur un mur dans la pièce principale de la maison. (Il est plus facile de passer le fil si l'appareil est monté sur la gaine.)
  - Dans un tel cas, l'installer en amont de l'humidificateur ou du collet de dérivation de façon qu'il détecte avec exactitude le degré d'humidité relative de la maison. Voir la figure 3.
  - Installer l'humidistat à au moins 20 cm (8 po) en amont de l'humidificateur ou du collet de dérivation.

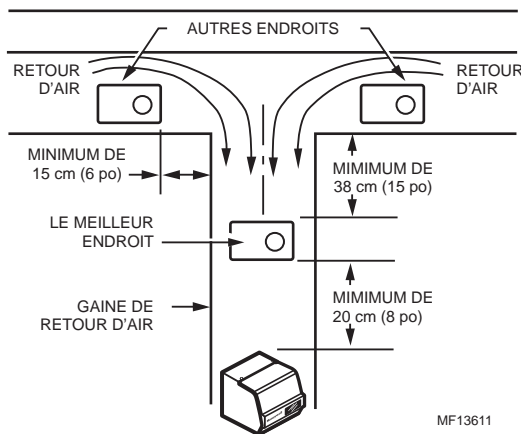


Fig. 3. Choix de l'emplacement de l'humidistat et de l'humidificateur sur la gaine.

4. Déterminer l'endroit de l'alimentation en eau
  - L'humidificateur fonctionne avec de l'eau dure ou de l'eau douce.
  - L'eau peut être chaude ou froide.
  - S'assurer que le tuyau d'alimentation en plastique de 6 m (20 pi) est assez long pour raccorder l'alimentation d'eau (robinet-vanne à étrier) à l'humidificateur.
  - S'assurer que le robinet-vanne à étrier sera accessible une fois l'installation terminée.
5. Repérer une prise électrique de 120 volts.
  - Choisir un endroit avec une prise électrique. S'il n'y a pas de prise, en faire installer une par un électricien.
  - S'assurer que le fil de thermostat de 6 mètres (20 pieds) est assez long pour relier le moteur de l'humidificateur à l'humidistat et de l'humidistat au transformateur enfichable.
6. Repérer le drain de plancher le plus près.
  - Choisir un emplacement avec accès au drain de plancher, s'il y en a un.
  - Un drain doit être installé si le débordement de l'eau peut causer une inondation ou des dommages matériels.
  - Si un drain est nécessaire, s'assurer que le tuyau de trop-plein est assez long pour relier l'humidificateur au drain du plancher.

REMARQUE : Chaque installation est différente. Avant d'installer l'appareil, s'assurer qu'il sera alimenté en eau et en électricité et qu'il y a un tuyau de trop-plein. Dans certains cas, il faudra acheter un fil, un tuyau ou une gaine supplémentaire pour bien installer l'humidificateur.

## ÉTAPE 2 - INSTALLATION DE L'HUMIDIFICATEUR

### ⚠ AVERTISSEMENT

**Risques liés au courant électrique  
Peut causer des blessures ou endommager l'équipement.**

Ne pas découper ni percer de trous dans l'équipement électrique ou de conditionnement d'air.

### ⚠ MISE EN GARDE

**Arêtes vives présentant un danger au moment de l'installation.**

**Peut causer des blessures.**

Porter des gants et des lunettes de sécurité.

1. Couper l'alimentation du système de chauffage et de refroidissement.
2. Tracer une ligne de niveau sur la gaine à l'endroit où l'humidificateur sera installé. (La mise au niveau de l'appareil assure un rendement optimal.) Voir la figure 4.

REMARQUE : Il doit y avoir sur la gaine un espace de 4 cm (1 1/2 po) au-dessus de la ligne de niveau et un espace de 22 cm en dessous. La gaine doit avoir une largeur minimale de 28 cm (11 po).

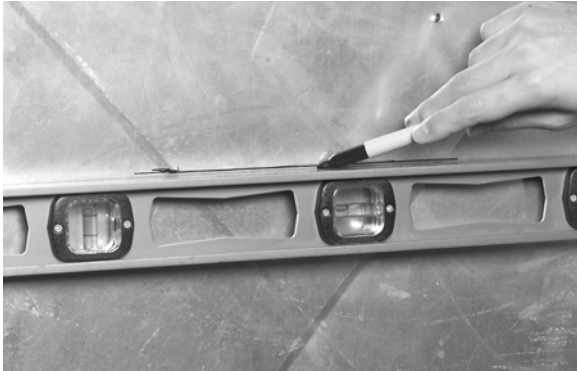
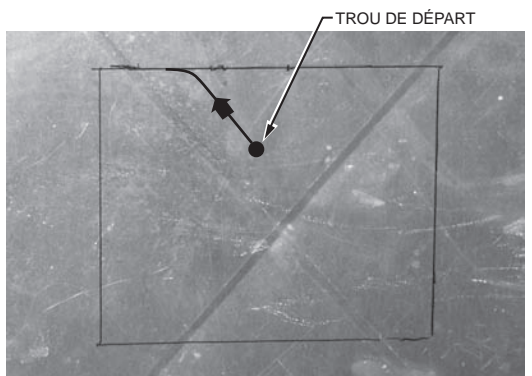


Fig. 4. Marquage de la position du gabarit.

3. Découper le gabarit illustré à la page 22.
4. Coller le gabarit à l'endroit choisi avec du ruban et en tracer le contour avec un crayon marqueur.
5. Retirer le gabarit et découper soigneusement l'ouverture rectangulaire à l'aide des cisailles à tôle. Voir la figure 5. (À l'aide d'une perceuse, faire un trou de départ au centre du rectangle.)



MF13618

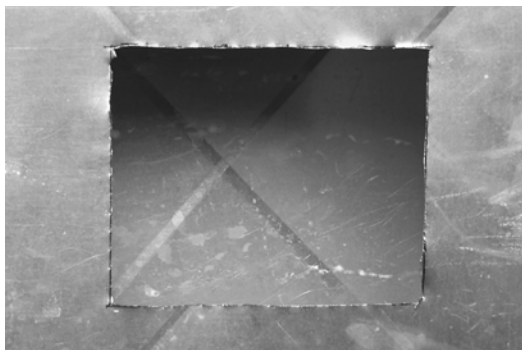


Fig. 5. Découpage de l'ouverture pour l'humidificateur.

6. Désassembler l'humidificateur. Enlever le couvercle en le soulevant sur le devant. Retirer les pièces du tambour, le bac d'eau et la plaque du moteur.
7. Placer le boîtier de l'humidificateur HE120 de niveau, sur l'ouverture, et marquer l'emplacement des cinq trous de montage. Voir la figure 6.
8. Retirer le boîtier de l'humidificateur et percer des trous de montage à l'aide d'un foret de 3 mm (1/8 po).
9. Engager les trois vis à tôle n° 8 de 1,9 cm (3/4 po) dans les trous du haut.

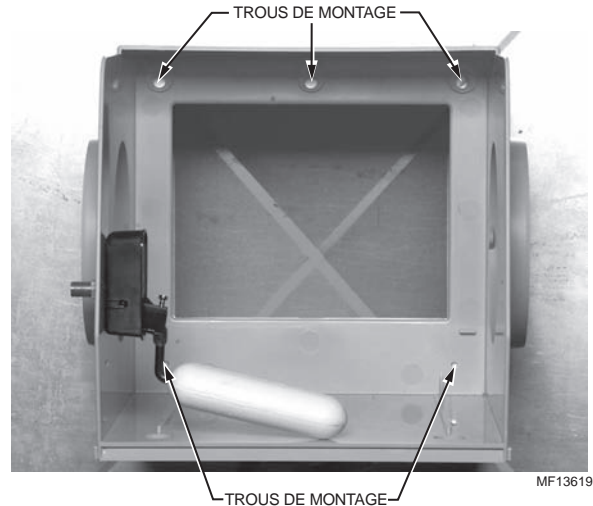


Fig. 6. Marquage de l'emplacement des trous de montage.

10. Installer le boîtier de l'humidificateur sur les vis, le placer de niveau et serrer les trois vis. Voir la figure 7.
11. Fixer le bas du boîtier avec deux vis à tôle n° 8 de 1,9 cm (3/4 po).

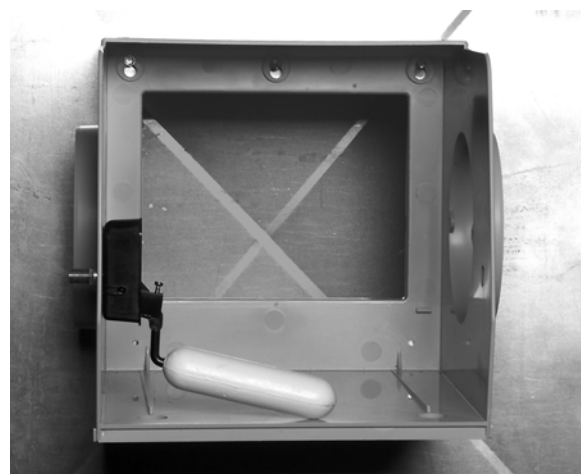


Fig. 7. Montage de l'humidificateur.

12. Vérifier si l'humidificateur est bien de niveau.

## ÉTAPE 3 - INSTALLATION DU COLLET DE DÉRIVATION

### ⚠️ AVERTISSEMENT

**Risques liés au courant électrique**  
**Peut causer des blessures ou endommager l'équipement.**

Ne pas découper ni percer de trous dans l'équipement électrique ou de conditionnement d'air.

### ⚠️ MISE EN GARDE

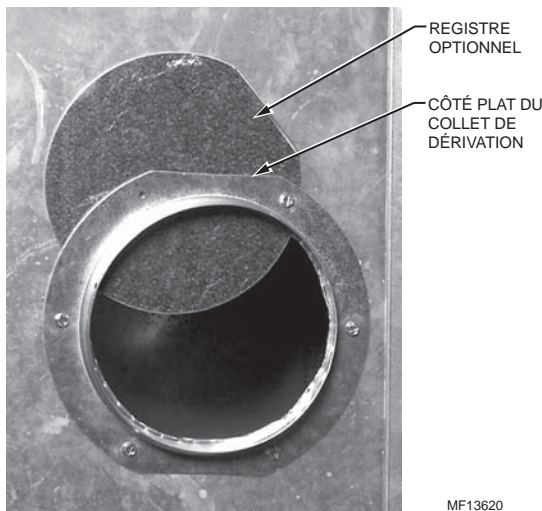
**Arêtes vives présentant un danger au moment de l'installation.**

**Peut causer des blessures.**

Porter des gants et des lunettes de sécurité.

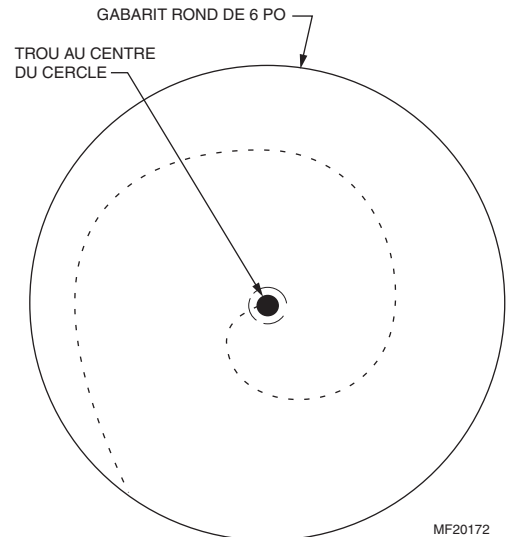
REMARQUE : Cet humidificateur est fourni avec un registre dont l'installation est optionnelle; ce registre sert à arrêter le débit d'air en été. L'installation de ce registre est nécessaire dans les maisons équipées d'un climatiseur.

1. Placer le collet de dérivation de 15 cm (6 po) sur la gaine de façon que les six trous de montage soient positionnés sur la gaine. (Si le registre est installé, il est recommandé de placer le côté plat du collet vers le haut.) Voir la figure 8.



**Fig. 8. Montage du collet de dérivation (Registre optionnel illustré).**

2. Tracer une ligne à l'intérieur du collet et marquer la position des trous de montage.
3. Retirer le collet et découper soigneusement l'ouverture circulaire à l'aide des cisailles à tôle. Voir la figure 9. À l'aide d'une perceuse, faire un trou de départ au centre du cercle. Pour découper plus facilement, faire une première ouverture en spirale, vers l'extérieur.



**Fig. 9. Découpage de l'orifice du collet de dérivation.**

4. Percer les trous de montage à l'aide d'un foret de 3 mm (1/4 po). Si le registre optionnel est installé, ne pas percer le trou à l'endroit où la lame du registre doit passer. Voir la figure 10.

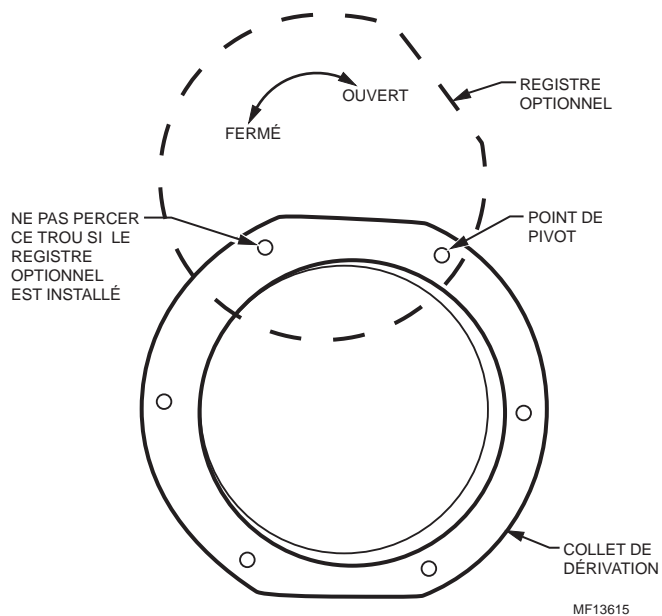


Fig. 10. Perçage des trous.

5. Si le registre optionnel doit être installé, poser une vis à tôle n° 8 de 1,9 cm (3/4 po) dans le registre et le collet de dérivation. Voir la figure 11.

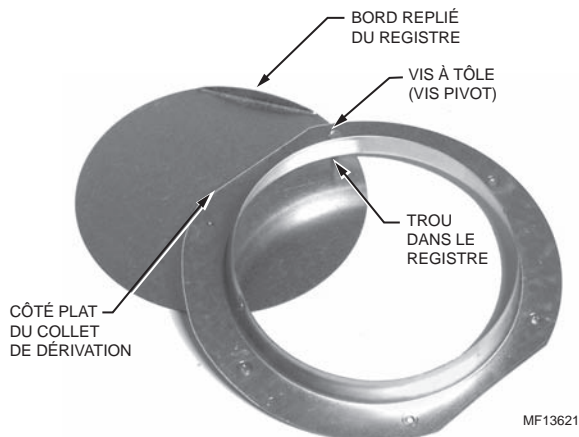


Fig. 11. Installation du registre optionnel.

6. Placer le registre et le fixer avec des vis à métal n° 8 de 1,9 cm (3/4 po).
7. Si le registre optionnel est installé, s'assurer qu'il s'ouvre et se ferme correctement. Si nécessaire, serrer ou desserrer la vis pivot.

REMARQUE : Le registre ne recouvre pas entièrement l'ouverture dans la gaine même lorsqu'il est fermé. Un certain jeu est normal.



## ÉTAPE 4 - INSTALLATION DE LA GAINÉ DE DÉRIVATION

### ! MISE EN GARDE

Arêtes vives présentant un danger au moment de l'installation.

Peut causer des blessures.

Porter des gants et des lunettes de sécurité.

1. Étirer avec précaution la gaine flexible pour l'installer entre le collet de dérivation et l'humidificateur. Voir la figure 12.

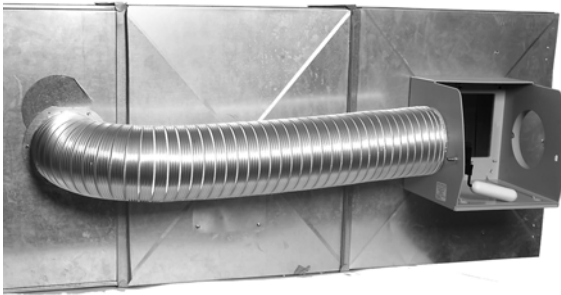


Fig. 12. Installation de la gaine flexible.

2. Fixer la gaine de dérivation au collet de dérivation avec au moins deux vis à tête n° 8 de 1,9 cm (3/4 po). Voir la figure 13. Percer des trous à l'aide d'un foret de 3 mm (1/8 po).



Fig. 13. Raccordement de la gaine de dérivation au collet de dérivation.

3. Fixer la gaine de dérivation à l'humidificateur avec au moins trois vis à tête n° 8 de 1,9 cm (3/4 po). Voir la figure 14. Percer des avant-trous à l'aide d'un foret de 3 mm (1/8 po).

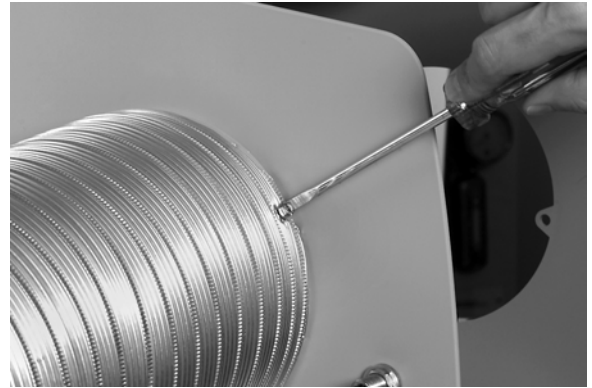


Fig. 14. Raccordement de la gaine de dérivation à l'humidificateur.

4. Sceller les deux extrémités de raccordement avec du ruban à conduits. Voir la figure 15.

#### IMPORTANT

*N'utiliser que du ruban métallisé à conduits pour sceller les raccordements.*



Fig. 15. Scellage des raccordements avec du ruban.

5. Si le registre optionnel est installé, s'assurer qu'il peut s'ouvrir et se fermer correctement. Si nécessaire, couper ou remplacer le ruban à conduits.

## ÉTAPE 5 - ASSEMBLAGE DU TAMBOUR DE L'HUMIDIFICATEUR

1. Glisser l'extrémité fermée du tambour sur l'arbre, les tiges rondes à l'opposé des pattes en métal. Voir la figure 16. Les rainures dans l'extrémité conique doivent s'appuyer sur les pattes en métal.

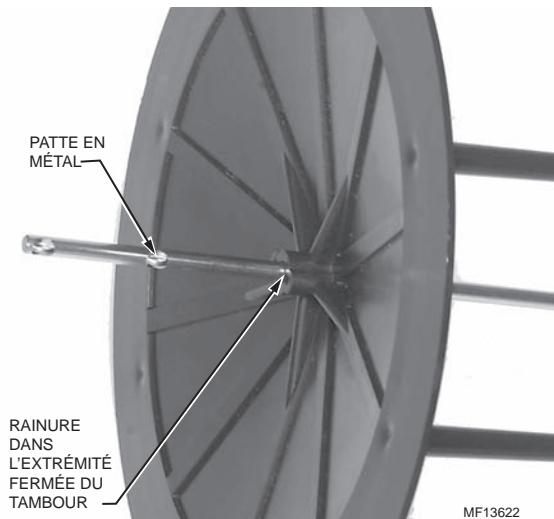


Fig. 16. Assemblage de l'extrémité fermée du tambour.

2. Fixer l'extrémité fermée au tambour avec une attache à ressort. Voir la figure 17. Presser légèrement les bouts du ressort pour l'installer.

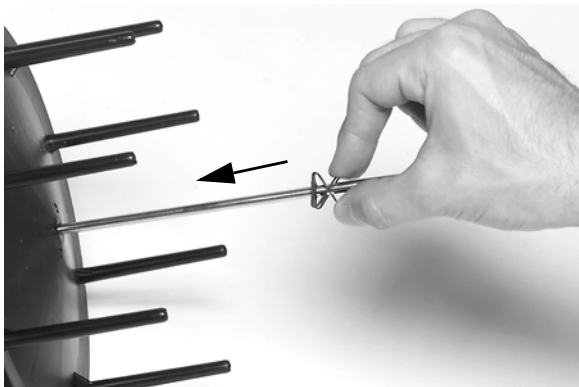


Fig. 17. Installation de l'attache à ressort.

3. Glisser le tampon évaporateur par-dessus les tiges de l'extrémité fermée. Voir la figure 18.

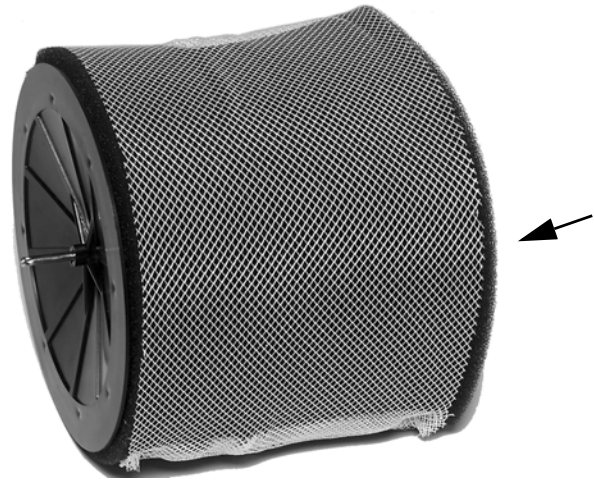


Fig. 18. Installation du tampon évaporateur.

4. Glisser l'extrémité ouverte du tambour sur l'arbre, les tiges rondes à l'intérieur du tampon de l'humidificateur. Voir la figure 19.
5. Fixer l'extrémité ouverte au tambour avec une attache à ressort. Presser légèrement les bouts du ressort pour l'installer.

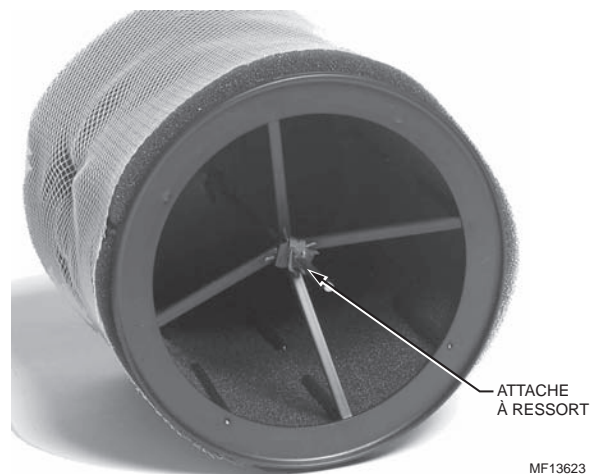
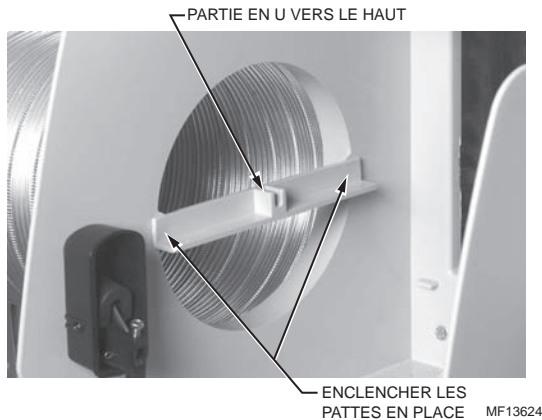


Fig. 19. Installation de l'extrémité ouverte du tambour.

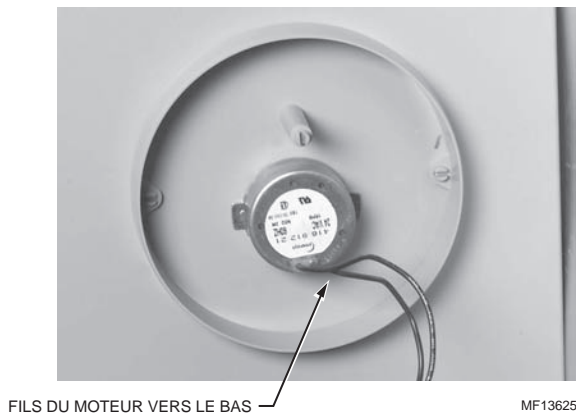
## ÉTAPE 6 - ASSEMBLAGE DE L'HUMIDIFICATEUR

1. Placer le support du roulement à l'intérieur du boîtier de l'humidificateur, du côté où la gaine de dérivation est raccordée, la partie en U vers le haut. Voir la figure 20.



**Fig. 20. Installation du support du roulement.**

2. Enclencher le support de roulement en place.
3. Installer la plaque du moteur sur le côté opposé du boîtier de l'humidificateur, les fils vers le bas. Voir la figure 21.



**Fig. 21. Installation de la plaque du moteur.**

4. Enclencher la plaque du moteur en place.
5. Passer les fils du moteur dans le trou au bas du couvercle du moteur et les fixer sur la surface extérieure de l'humidificateur. Voir la figure 22.

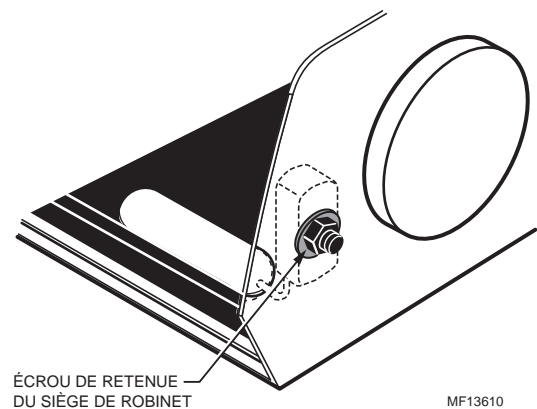


**Fig. 22. Installation du couvercle du moteur.**

6. installer le robinet à flotteur sur le boîtier de l'humidificateur, du même côté que la plaque du moteur. Voir la figure 24. Si le robinet à flotteur est déjà installé du même côté que la plaque du moteur, sauter cette étape.
  - a. Dévisser l'écrou de retenue du robinet à flotteur à l'aide d'une clé de 13 mm (1/2 po). Voir la figure 23.
  - b. Retirer le robinet à flotteur du boîtier.
  - c. Installer le robinet à flotteur dans l'ouverture en D du même côté que le moteur. Voir la figure 24. Le flotteur doit être placé au bas.
  - d. Placer la rondelle du robinet à flotteur sur la tige. Le côté creux de la rondelle doit être placé du côté de la paroi de l'humidificateur. Voir la figure 25.
  - e. Fixer le robinet à flotteur avec l'écrou de retenue. Serrer avec une clé de 13 mm (1/2 po). Voir la figure 23.

### IMPORTANT

Le robinet à flotteur doit être installé du même côté de l'humidificateur que le moteur.



**Fig. 23. Écrou de retenue du robinet à flotteur.**

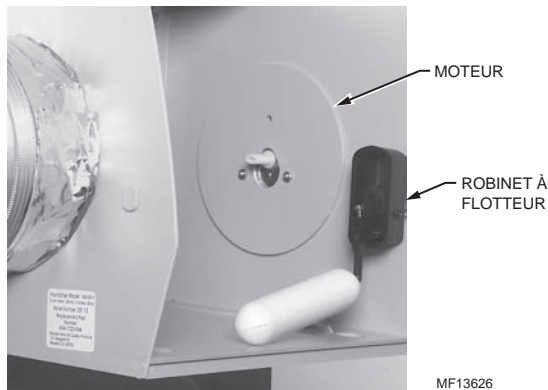


Fig. 24. Bon emplacement du robinet à flotteur.

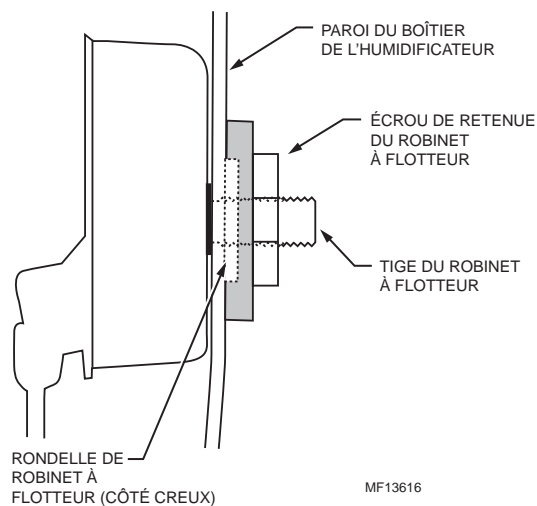


Fig. 25. Réinstallation du robinet à flotteur.

7. Insérer le bouchon de trou de robinet dans l'orifice en D, du côté opposé au robinet à flotteur. Voir la figure 26.

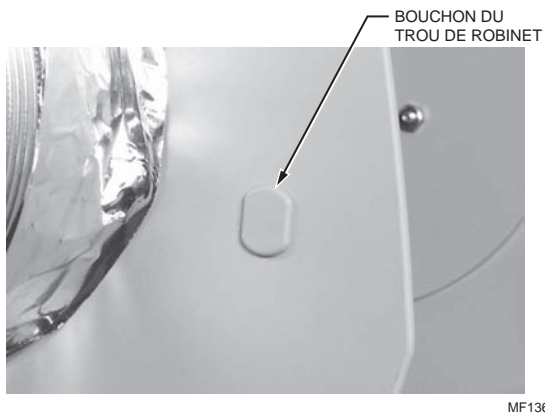


Fig. 26. Installation du bouchon de trou de robinet.

8. Insérer le raccord d'évacuation dans le bas de l'humidificateur, du même côté que la gaine de dérivation. Voir la figure 27.

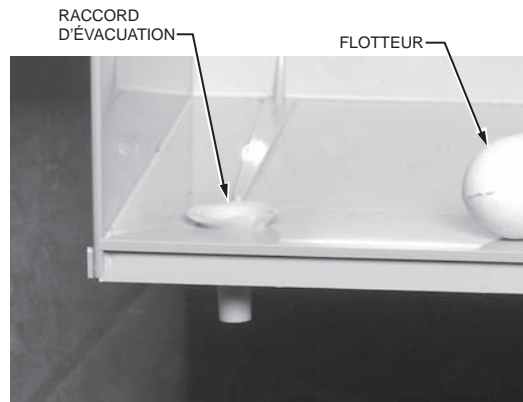


Fig. 27. Installation du raccord d'évacuation.

9. Installer le bac d'eau dans le boîtier de l'humidificateur de façon que le tube de trop-plein soit au-dessus du raccord d'évacuation installé précédemment. Voir la figure 28.

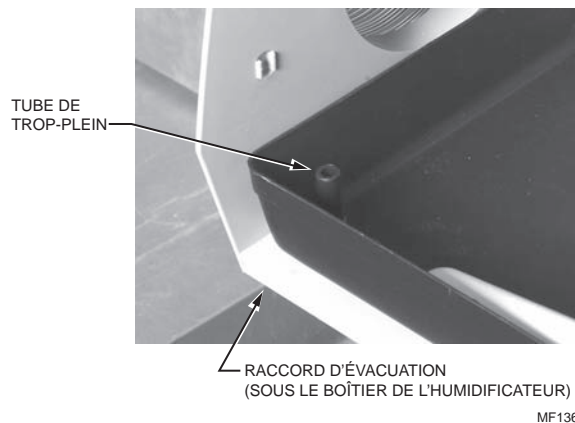


Fig. 28. Installation du bac d'eau.

10. Installer le tambour de l'humidificateur en insérant d'abord l'extrémité à raccorder au moteur, puis l'enclencher dans le roulement. Voir la figure 29.

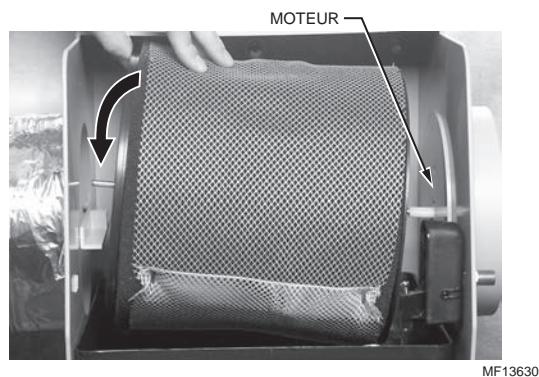


Fig. 29. Installation du tambour de l'humidificateur.

11. Enclencher le couvercle en place.

## ÉTAPE 7 - INSTALLATION DU DRAIN

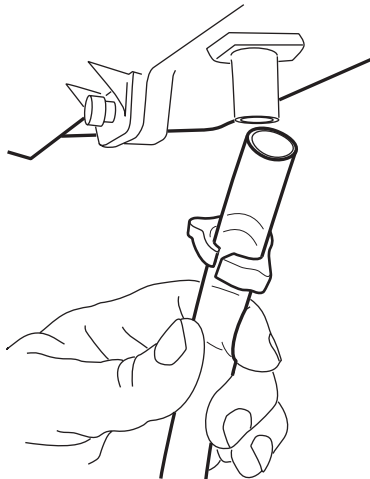
### ! MISE EN GARDE

**Risques de dégâts d'eau**

**Peut causer des dommages matériels.**

Installer le drain si une défaillance du robinet à flotteur peut causer des dégâts d'eau.

1. Glisser la bride de 1,3 cm (1/2 po) sur le tuyau de trop-plein de 0,9 cm (3/8 po) de diamètre intérieur et de 1,3 cm (1/2 po) de diamètre extérieur. Voir la figure 30.
2. Glisser le tuyau de trop-plein sur le raccord d'évacuation.
3. Serrer manuellement la bride sur le tuyau de trop-plein et le raccord d'évacuation.
4. Fixer le tuyau de trop-plein (par exemple, avec du ruban à conduits) jusqu'au drain pour empêcher qu'il ne bouge et pour qu'il présente une pente descendante.
5. À l'aide d'un couteau tout usage, couper le tuyau de trop-plein à la longueur nécessaire pour qu'il atteigne le drain ou le purgeur.



M20177

Fig. 30. Installation du tuyau de trop-plein.

### IMPORTANT

Le tuyau de trop-plein doit présenter une pente descendante depuis l'humidificateur jusqu'au drain pour assurer une bonne évacuation.

## ÉTAPE 8 - INSTALLATION DU ROBINET-VANNE À ÉTRIER

### ! MISE EN GARDE

**Dangers liés aux produits chimiques**  
**Peut causer des blessures ou endommager l'équipement.**

N'utiliser aucune conduite raccordée à de l'équipement de climatisation.

Ne pas utiliser de conduite de gaz.

### IMPORTANT

Ne pas tourner la poignée du robinet-vanne à étrier avant ou durant l'installation. S'assurer que le pointeau est à l'intérieur du joint en caoutchouc. Sinon, le pointeau peut être endommagé.

Ne pas installer le robinet-vanne avec la poignée vers le bas pour éviter que les débris ne bloquent le robinet à flotteur.

REMARQUE : Le robinet-vanne à étrier fourni peut être installé sur un tuyau en cuivre, en acier ou en laiton. Suivre les instructions selon le type d'application.

### Tuyau en cuivre :

1. Couper l'alimentation en eau. L'humidificateur fonctionne avec de l'eau dure ou de l'eau douce. L'eau peut être chaude ou froide.
2. Tourner la poignée dans le sens antihoraire jusqu'à ce que le pointeau soit en dessous du joint en caoutchouc. Voir la figure 31.

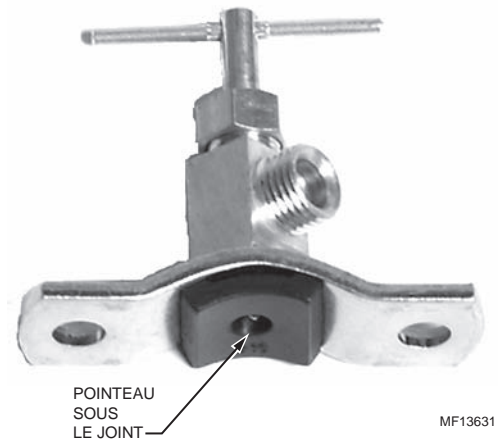


Fig. 31. Ajustement du robinet-vanne à étrier dans une installation sur un tuyau en cuivre.

3. Assembler le robinet-vanne à étrier sur le tuyau en cuivre à l'aide de vis à tête n° 10 de 4,5 cm (1 3/4 po). Voir la figure 32.

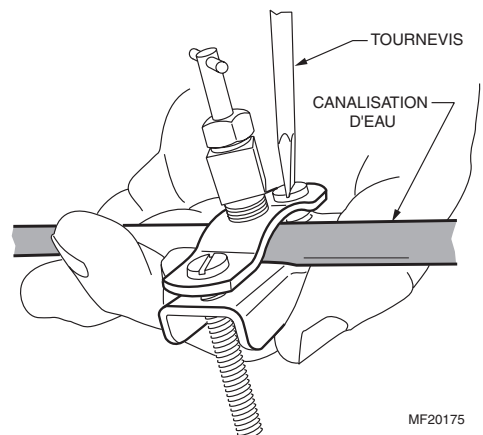
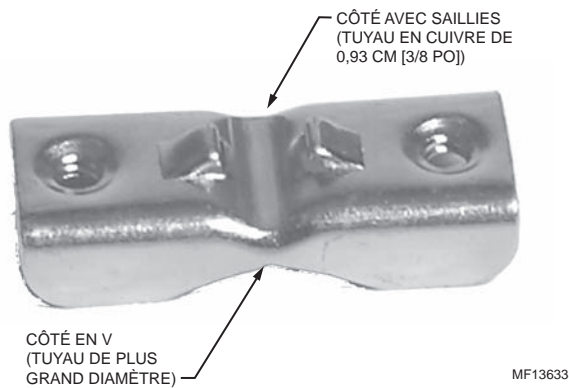


Fig. 32. Installation du robinet-vanne à étrier.

- a. Avec un tuyau en cuivre de 0,93 cm (3/8 po), utiliser le côté du support avec des saillies pour éviter de déformer le tuyau. Voir la figure 33.
- b. Si les tuyaux sont de dimension différente, utiliser le côté en V.



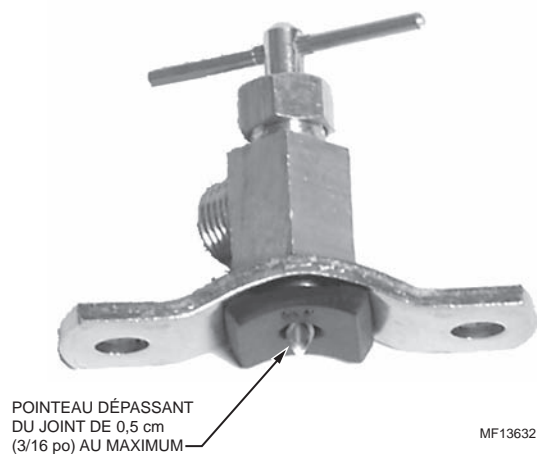
**Fig. 33. Installation du support du robinet-vanne à étrier.**

4. Serrer les vis uniformément - les supports doivent être parallèles. Serrer fermement.

### Tuyau en acier ou en laiton :

1. Couper l'alimentation en eau et vidanger le tuyau.
2. Percer un trou de 0,5 cm (3/16 po) dans le tuyau. Se servir d'une perceuse sans fil pour prévenir les risques de chocs électriques.

3. Tourner la poignée jusqu'à ce que le pointeau sorte du joint d'au plus 0,5 cm (3/16 po). Voir la figure 34.
4. Installer le corps du robinet-vanne par-dessus le trou de manière que le pointeau pénètre dans le trou percé dans le tuyau.
5. Serrer le bas de la bride uniformément. Les supports doivent être parallèles. Voir la figure 32.
6. Tourner la poignée dans le sens horaire pour fermer le robinet-vanne.
7. Ouvrir l'alimentation en eau.



**Fig. 34. Ajustement du robinet-vanne à étrier dans une installation sur un tuyau en acier.**

## ÉTAPE 9 - INSTALLATION DU TUYAU D'EAU

### ! MISE EN GARDE

#### RISQUES DE DÉGÂTS D'EAU

Peut causer des dégâts d'eau à la propriété

Bien fixer le tuyau d'eau pour empêcher qu'il ne bouge et pour soutenir les joints à écrou de compression.

#### IMPORTANT

Vérifier dans les codes du bâtiment locaux si le tuyau de plastique fourni convient à l'application. Certains codes locaux exigent l'utilisation de tuyau en cuivre de 0,64 cm (1/4 po).

1. Poser l'écrou de compression en laiton par-dessus le tuyau en plastique. Voir la figure 35.

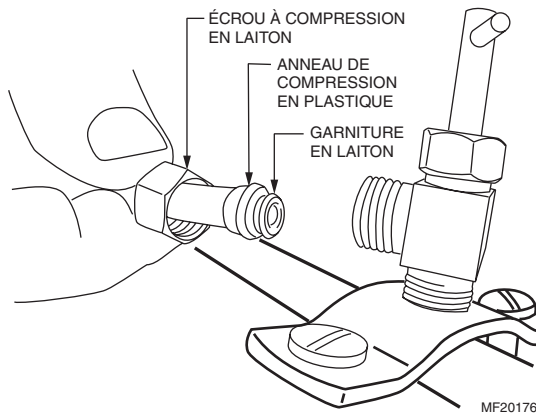


Fig. 35. Raccordement du tuyau d'eau en plastique.

2. Glisser le manchon de compression en plastique sur le tuyau.
3. Poser la garniture en laiton dans l'extrémité du tuyau en plastique.

REMARQUE : Pour prévenir les fuites, utiliser le manchon de compression en plastique seulement avec un tuyau en plastique et le manchon de compression en cuivre, seulement avec un tuyau en cuivre.

4. Insérer le tuyau dans le raccord du robinet-vanne à étrier.
5. Soutenir le robinet et serrer l'écrou de compression en laiton avec une clé de 1,3 cm (1/2 po) ou une clé réglable.
6. Amener le tuyau en plastique du robinet-vanne jusqu'au raccord du robinet à flotteur de l'humidificateur. Fixer le tuyau avec des fixations de tuyau pour empêcher qu'il ne bouge.
7. Couper le tuyau de plastique à la bonne longueur. Ne pas le couper trop court.
8. Fixer le tuyau au robinet à flotteur en répétant les étapes A à E ci-dessus.

## ÉTAPE 10 - INSTALLATION DE L'HUMIDISTAT

### ⚠ AVERTISSEMENT

**Risques liés au courant électrique**  
**Peut causer des blessures ou endommager l'équipement.**

Ne pas découper ni percer de trous dans l'équipement électrique ou de conditionnement d'air.

### ⚠ MISE EN GARDE

**Arêtes vives présentant un danger au moment de l'installation.**

**Peut causer des blessures.**

Porter des gants et des lunettes de sécurité.

REMARQUE : L'humidistat compris dans cet ensemble peut être monté sur la gaine de retour d'air (montage recommandé) ou sur un mur à l'intérieur de la maison. Des instructions sont fournies ci-après pour les deux types de montage.

### Montage sur la gaine (recommandé) :

#### IMPORTANT

Dans le cas d'un montage près d'un coude, installer le régulateur à au moins 20 cm (8 po) en amont du coude pour que le capteur soit exposé au débit d'air normal. Voir la figure 3 à la page 5.

1. Placer l'humidistat dans la gaine de retour d'air (air froid), à au moins 20 cm (8 po) en amont de l'humidificateur ou du collet de dérivation de l'humidificateur.
2. Enlever la pellicule à l'endos du gabarit de montage et coller celui-ci horizontalement sur la gaine. Voir la figure 36.

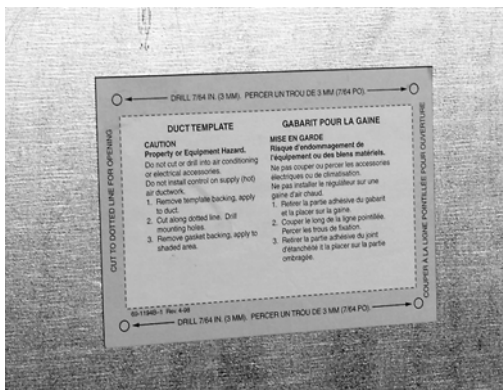


Fig. 36. Fixation du gabarit d'installation.

3. Voir la figure 37 et suivre les étapes ci-dessous pour découper l'orifice de montage de l'humidistat.
  - a. Percer un trou de 13 mm (1/2 po) au centre du gabarit.
  - b. À l'aide de cisailles à tôle, découper l'ouverture en suivant la ligne pointillée.
  - c. Percer quatre trous de montage de 3 mm (7/64 po). Erreur de l'anglais.

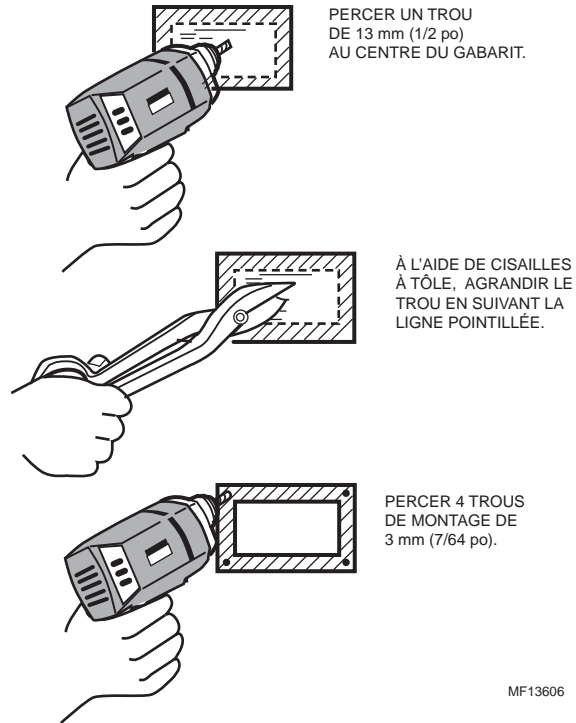


Fig. 37. Découpage de l'orifice pour l'humidistat.

4. Enlever la pellicule à l'endos du joint d'étanchéité de l'humidistat. Poser le joint sur la partie ombragée du gabarit. Voir la figure 38.

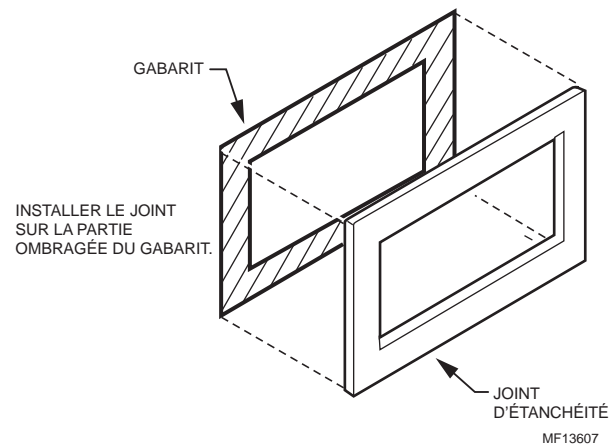


Fig. 38. Installation du joint d'étanchéité.



5. Dévisser et retirer le couvercle arrière de l'humidistat. Voir la figure 39.



Fig. 39. Retrait du couvercle arrière de l'humidistat.

6. Poser deux bornes à vis sur les bornes à lame du régulateur d'humidité. Voir la figure 40.

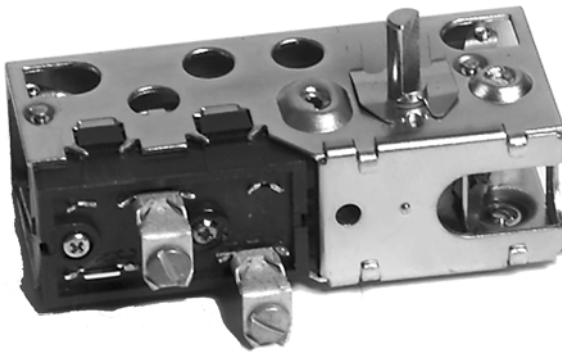


Fig. 40. Installation des bornes à vis.

7. Raccorder les deux conducteurs du fil basse tension aux bornes à vis sur le régulateur d'humidité. Voir la figure 41.

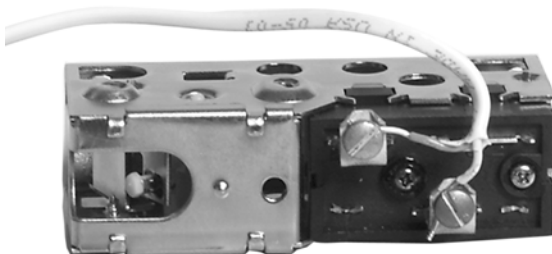


Fig. 41. Raccordement de l'humidistat.

8. Repousser l'excès de fil à l'arrière de la plaque de montage.
9. Monter l'humidistat sur la gaine à l'aide des quatre vis à tôle n° 6 de 2,5 cm (1 po) posées dans les trous de montage percés dans la gaine. Voir la figure 42.

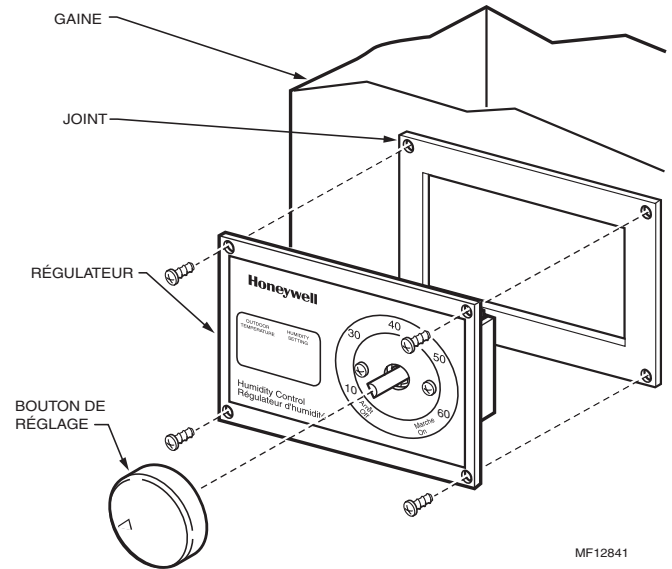


Fig. 42. Fixation de l'humidistat sur la gaine.

10. Pousser le bouton du cadran de réglage du point de consigne sur la tige de commande.

### Montage au mur :

#### IMPORTANT

Monter l'humidistat à un endroit où l'on obtient une température ambiante et un taux d'humidité moyens.

1. Installer l'humidistat sur un mur intérieur, 1,5 mètre (5 pieds) environ au-dessus du plancher. Voir la figure 43.

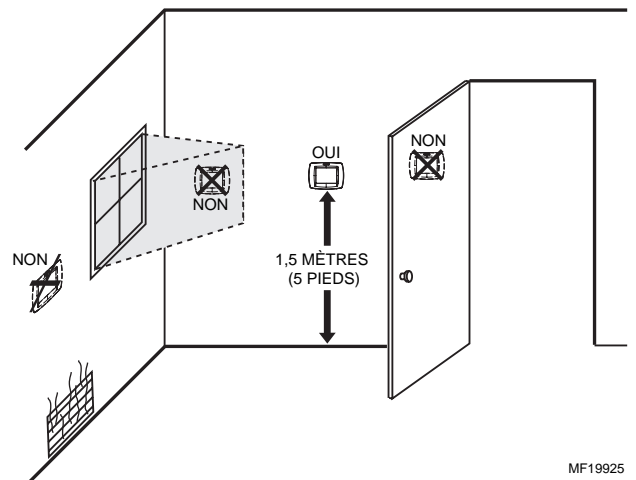
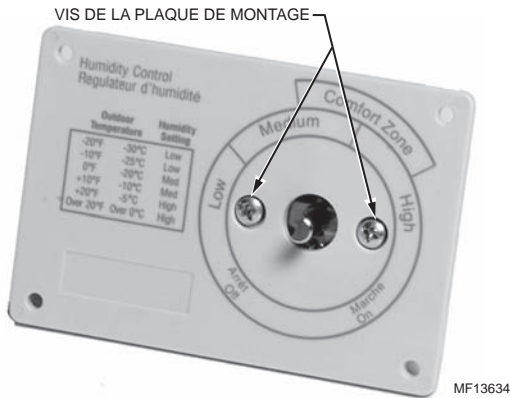


Fig. 43. Choix de l'emplacement de l'humidistat.

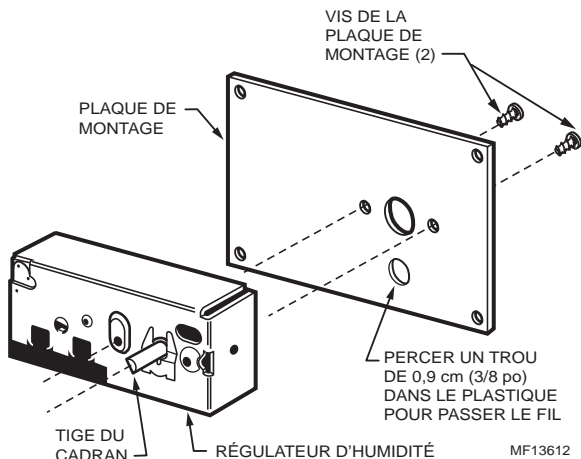
2. Percer un trou de 0,9 cm (3/8 po) dans le mur.
3. Amener un fil de thermostat à deux conducteurs de calibre 18 jusqu'à l'emplacement de l'humidistat et tirer environ 15 cm de fil (6 po) à l'extérieur du mur.

4. Boucher le trou avec de l'isolant ignifuge pour empêcher les courants d'air de nuire au bon fonctionnement de l'humidistat.
5. Dévisser le couvercle arrière de l'humidistat et le retirer. Voir la figure 39.
6. Dévisser les deux vis de la plaque de montage et retirer le régulateur d'humidité. Voir la figure 44.



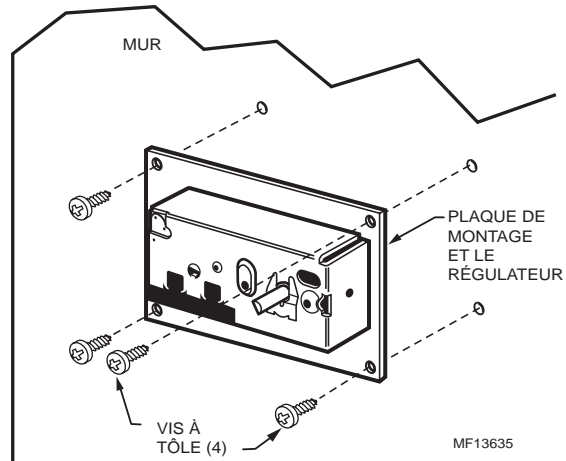
**Fig. 44. Retrait du régulateur d'humidité de la plaque de montage.**

7. Poser deux bornes à vis sur les bornes à lame de l'humidistat. Voir la figure 40.
8. Pour monter l'humidistat au mur (voir la figure 45) :
  - a. Avec un foret de 0,9 cm (3/8 po), percer un trou dans la plaque de montage en plastique pour passer le fil à basse tension.
  - b. Retourner la plaque de montage en plaçant le texte face au mur.
  - c. Installer l'humidistat sur la plaque de montage, la tige du cadran dans le sens opposé à la plaque.
  - d. Visser le régulateur d'humidité sur la plaque de montage avec les deux vis qui ont été retirées de la plaque.



**Fig. 45. Montage de l'humidistat.**

9. Placer la plaque de montage horizontalement par-dessus le fil, puis tirer le fil par le trou.
10. Raccorder les fils aux bornes à vis sur l'humidistat. Voir la figure 41 à la page 17.
11. Fixer la plaque de montage au mur avec quatre vis à tôle n° 6 de 2,5 cm (1 po). Voir la figure 46.



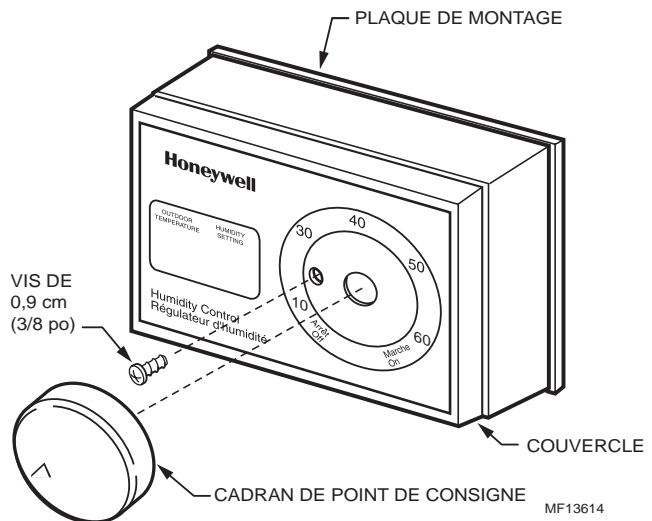
**Fig. 46. Montage de l'humidistat.**

12. Enlever la pellicule à l'endos de l'étiquette et coller celle-ci sur la partie amincie sur le devant du couvercle de l'humidistat. Voir la figure 47.



**Fig. 47. Pose de l'étiquette sur le couvercle de l'humidistat.**

13. Fixer le couvercle au régulateur d'humidité avec une vis de 0,9 cm (3/8 po). Voir la figure 48.
14. Installer le bouton de réglage du point de consigne sur la tige de commande.



**Fig. 48. Assemblage du couvercle de l'humidistat.**

## ÉTAPE 11 - RACCORDEMENT

### **⚠ AVERTISSEMENT**

**Risques liés au courant électrique  
Peut causer des blessures ou endommager  
l'équipement.**

Couper l'alimentation électrique avant d'installer  
l'appareil ou de faire l'entretien.

#### **IMPORTANT**

*Tous les raccordements doivent être conformes aux  
codes et règlements en vigueur.*

1. Faire passer le fil de thermostat à deux conducteurs de l'humidistat jusqu'au transformateur à proximité d'une prise de courant. Couper le fil à la bonne longueur; laisser suffisamment de fil à chaque extrémité pour effectuer le raccordement.

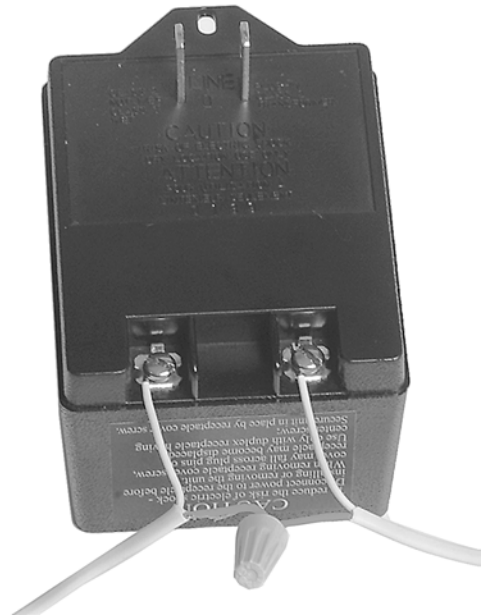
REMARQUE : Le fil est déjà raccordé à l'humidistat.

2. Faire passer le fil de thermostat à deux conducteurs de l'humidificateur jusqu'au transformateur. Couper le fil à la bonne longueur, en laissant suffisamment de fil à chaque extrémité pour effectuer le raccordement.
3. Raccorder le fil rouge et le fil blanc aux deux conducteurs du moteur de l'humidificateur en utilisant des connecteurs de fil. Voir la figure 49.



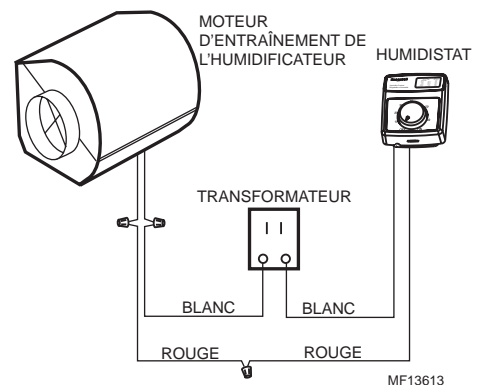
**Fig. 49. Raccordement du moteur.**

4. Raccorder les deux conducteurs blancs aux bornes du transformateur. Voir la figure 50.



**Fig. 50. Raccordement du transformateur.**

5. Utiliser un connecteur de fil pour relier les fils rouges ensemble.
6. Bien fixer le fil de thermostat pour empêcher qu'il ne bouge, avec du ruban à conduits par exemple.
7. Consulter le schéma de raccordement à la figure 51.



**Fig. 51. Schéma de raccordement.**

## ÉTAPE 12 - ESSAI ET VÉRIFICATION

1. A. Faire les vérifications suivantes :
  - ❑ L'humidificateur est de niveau.
  - ❑ Le collet de dérivation est bien fixé avec des vis à tôle.
  - ❑ Le registre, s'il est installé, est ouvert.
  - ❑ Le raccordement électrique est conforme au schéma (figure 51).
  - ❑ Le tuyau d'eau n'est pas plié.
  - ❑ Le tuyau de trop-plein présente une pente descendante continue, n'est pas plié et se rend jusqu'au drain de plancher ou jusqu'à un purgeur.
2. Brancher le transformateur.
3. Ouvrir l'alimentation en eau. (Tourner la poignée du robinet-vanne à étrier dans le sens horaire jusqu'à ce qu'elle soit bien au fond puis la tourner dans le sens contraire pour ouvrir l'eau.)
4. Enlever le couvercle de l'humidificateur; vérifier si le bac se remplit et si l'eau s'arrête de couler avant de déborder dans le tuyau de trop-plein.
5. Régler le niveau de l'eau à 3,5 cm (1 3/8 po) en tournant la vis de réglage sur le robinet à flotteur. Voir la figure 52. Tourner dans le sens horaire pour baisser le niveau de l'eau et dans le sens contraire pour le hausser.
6. Mettre l'humidistat en marche.
7. Vérifier que le tambour de l'humidificateur tourne bien.
8. Enclencher le couvercle de l'humidificateur en place.
9. S'assurer qu'il n'y a pas de fuite d'eau au raccord du robinet-vanne à étrier ou au raccord du robinet à flotteur. Resserrer si nécessaire.

10. Régler l'humidistat au point de consigne pour assurer le confort et le laisser fonctionner automatiquement. Consulter le manuel du propriétaire pour plus de renseignements.

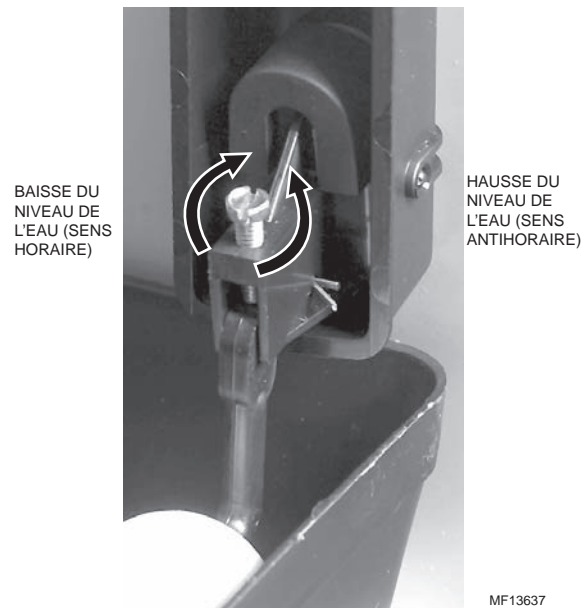
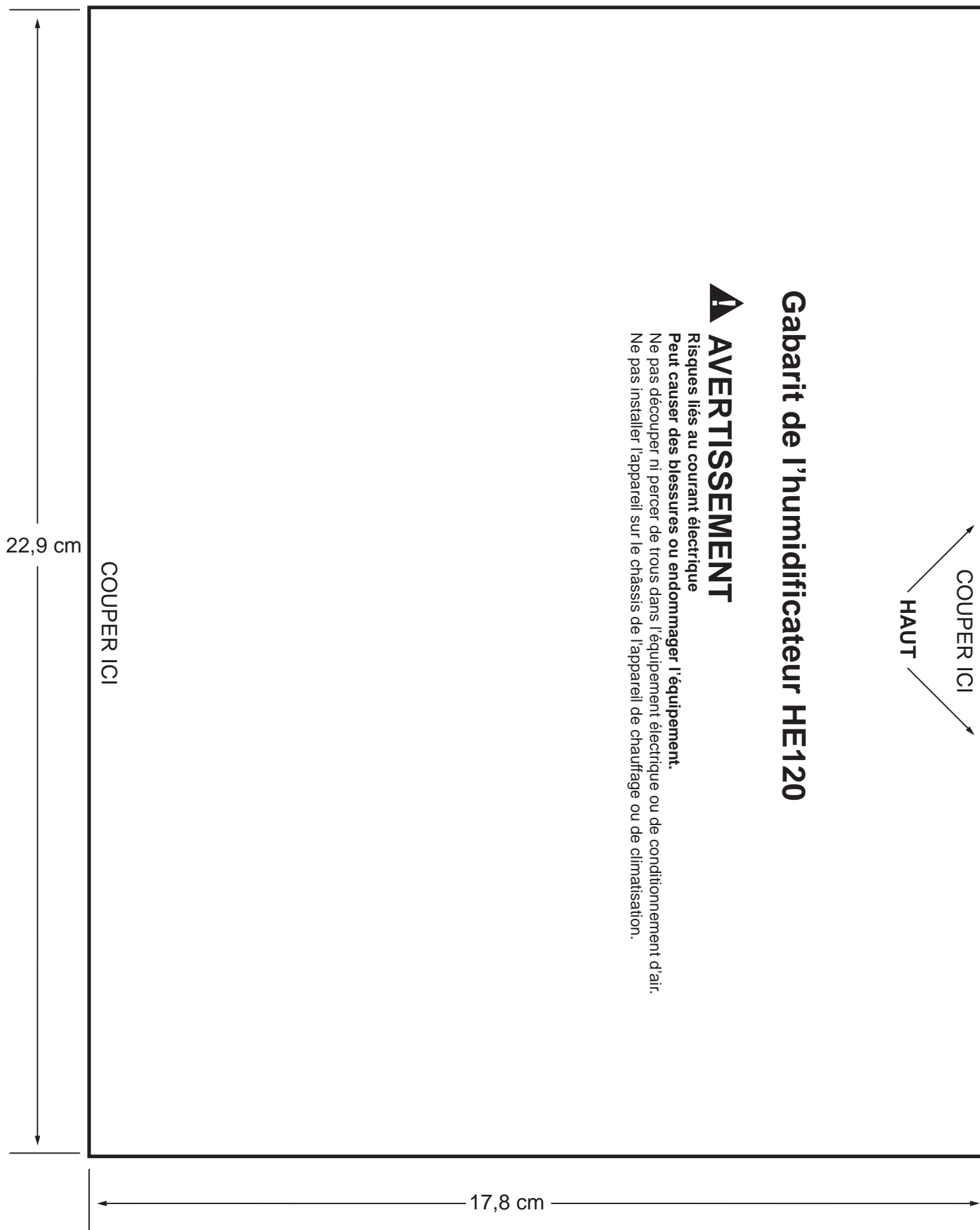


Fig. 52. Réglage du niveau de l'eau.





22,9 cm

COUPER ICI

COUPER ICI  
HAUT

17,8 cm



**Solutions de régulation et d'automatisation**

Honeywell International Inc.  
1985 Douglas Drive North  
Golden Valley, MN 55422  
customer.honeywell.com

Honeywell Limited-Honeywell Limitée  
35, Dynamic Drive  
Toronto (Ontario) M1V 4Z9



Imprimé aux États-Unis sur du papier  
recyclé contenant au moins 10 %  
de fibres post-consommation.

© Marque de commerce déposée aux É.-U.

© 2007 Honeywell International Inc. Tous droits réservés

69-1840EF—01 M.S. 09-07

**Honeywell**



## Free Manuals Download Website

<http://myh66.com>

<http://usermanuals.us>

<http://www.somanuals.com>

<http://www.4manuals.cc>

<http://www.manual-lib.com>

<http://www.404manual.com>

<http://www.luxmanual.com>

<http://aubethermostatmanual.com>

Golf course search by state

<http://golfingnear.com>

Email search by domain

<http://emailbydomain.com>

Auto manuals search

<http://auto.somanuals.com>

TV manuals search

<http://tv.somanuals.com>