

Honeywell

Day/Night DNS Fixed Dome Camera

NTSC / PAL

HD4D

HD4DX

User Guide

Document 800-00023 – Rev D – 05/07

Revisions

Issue	Date	Revisions
A	04/07	New document.
B	05/07	Increase line weight of illustrations.
C	05/07	Corrected specifications.
D	06/07	Changes: Page 14, LL switch is on power supply board. Page 18, corrected Day/Night mode explanation. Page 24, corrected Vertical Phase Adjustment to 0 - 359°.

Warnings





Installation and servicing should be performed only by qualified and experienced technicians to conform to all local codes and to maintain your warranty.

WARNING! 12 VDC/24 VAC models require the use of CSA Certified/UL Listed Class 2 power adapters to ensure compliance with electrical safety standards.



WEEE (Waste Electrical and Electronic Equipment). Correct disposal of this product (applicable in the European Union and other European countries with separate collection systems). This product should be disposed of, at the end of its useful life, as per applicable local laws, regulations, and procedures.

Explanation of Graphical Symbols

	CAUTION RISK OF ELECTRIC SHOCK DO NOT OPEN			THIS SYMBOL INDICATES THAT DANGEROUS VOLTAGE CONSTITUTING A RISK OF ELECTRIC SHOCK IS PRESENT WITHIN THE UNIT.
CAUTION: TO REDUCE THE RISK OF ELECTRIC SHOCK, DO NOT REMOVE THE COVER. NO USER-SERVICEABLE PARTS INSIDE REFER SERVICING TO QUALIFIED SERVICE PERSONNEL				THIS SYMBOL INDICATES THAT IMPORTANT OPERATING AND MAINTENANCE INSTRUCTIONS ACCOMPANY THIS UNIT.

FCC Compliance Statement

Information to the User: This equipment has been tested and found to comply with the limits for a Class A digital device. Pursuant to Part 15 of the FCC Rules, these limits are designed to provide reasonable protection against harmful interference when the equipment is operated in a commercial environment. This equipment generates, uses, and can radiate radio frequency energy and, if not installed and used in accordance with the instruction manual, may cause harmful interference to radio communications. Operation of this equipment in a residential area is likely to cause harmful interference in which case the user will be required to correct the interference at his own expense.

Caution Changes or modifications not expressly approved by the party responsible for compliance could void the user's authority to operate the equipment.

This Class A digital apparatus complies with Canadian ICES-003.

Manufacturer's Declaration of Conformance

The manufacturer declares that the equipment supplied with this guide is compliant with the essential protection requirements of the EMC directive 89/336/EEC and the Low Voltage Directive LVD 73/23 EEC, conforming to the requirements of standards EN 55013 for emissions, EN 50130-4 for immunity, and EN 60065 for Electrical Equipment safety.

Contents

Introduction	6
Before You Begin	6
Unpack Everything	6
Equipment Required	6
Installation	7
Mounting the Camera	8
Connecting Cables Through the Housing Base	8
Connecting Cables Through the Side Conduit	9
Electrical Box Installations	10
Connecting the Wiring	12
Adjusting the Camera	13
Line Lock	14
Adjusting the Lens Focus	14
Camera Settings	15
Camera Functions	15
OSD Menu Structure	16
SETUP Menu	17
SPECIAL Menu	18
Adding a Camera Title Display	19
Sync Control Setup	19
Motion Detection Setup	20
Privacy Mode Setup	20
Installing the Enclosure Cover	21
Routine Maintenance	21
Solving Common Technical Issues	22
Warranty and Service	23
Specifications	24
Cable Guidelines	26

Introduction

The unobtrusive, low-profile design of the HD4D CCTV Camera is ideal for indoor and outdoor installations in commercial and residential venues.

Before You Begin

Please read this guide carefully before you install the HD4D CCTV Camera.

Keep this guide for future reference.

Unpack Everything

Check that the items received match those listed on the order form and packing slip. The HD4D packing box should include, in addition to this User Guide:

- One fully-assembled HD4D camera, including factory-installed pigtail power and video connections
- One HD4D hardware kit
- One bag containing mounting screws
- One Product warranty

If any parts are missing or damaged, contact the dealer you purchased the camera from or call Honeywell Customer Service (see *Warranty and Service*).

Equipment Required

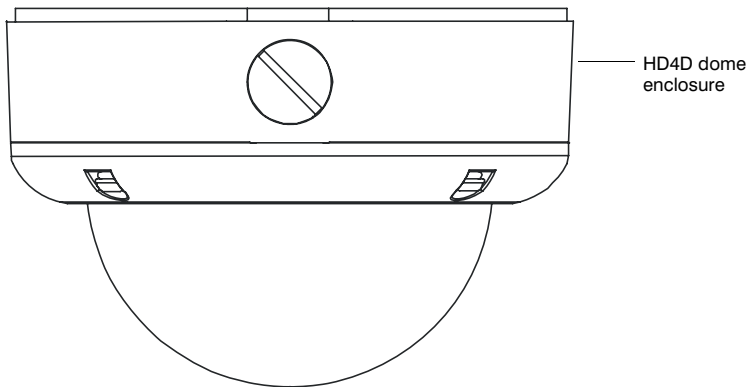
You will require the following tools to complete the installation:

- Phillips screwdriver
- Tools supplied in the hardware kit (three Allen keys): one for the security screw on the lid one for the conduit plug locking screw, and one for the lens locking screw
- Side-cutters

Installation

The HD4D is weather-sealed for indoor or outdoor locations. The HD4D is a fully-integrated enclosure with camera and lens. The wiring can be completely concealed to reduce the risk of tampering.

Figure 1 **Installation Components**



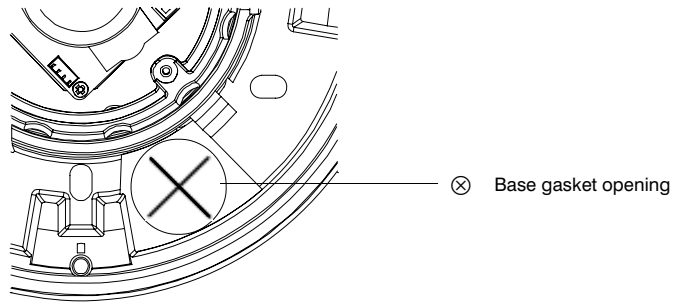
Mounting the Camera

The HD4D Camera is designed to be surface mounted on a wall or ceiling. Before you mount the camera, use the mounting template provided to mark and pre-drill the holes.

Connecting Cables Through the Housing Base

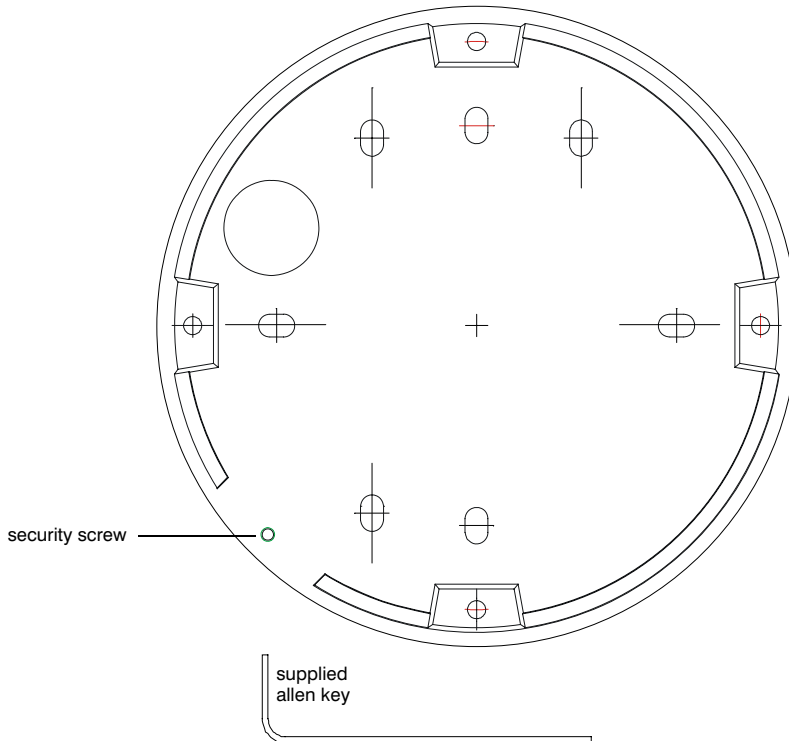
For installations requiring pulling cables through the grommet located in the bottom of the base:

1. Use a sharp knife to cut an ⊗ opening in the base gasket (see the figure below). Be careful. The opening should only be big enough to feed the cable assembly through.
2. Pull the cabling through the opening.
3. Apply appropriate sealant around the opening to prevent moisture from entering the housing.



Connecting Cables Through the Side Conduit

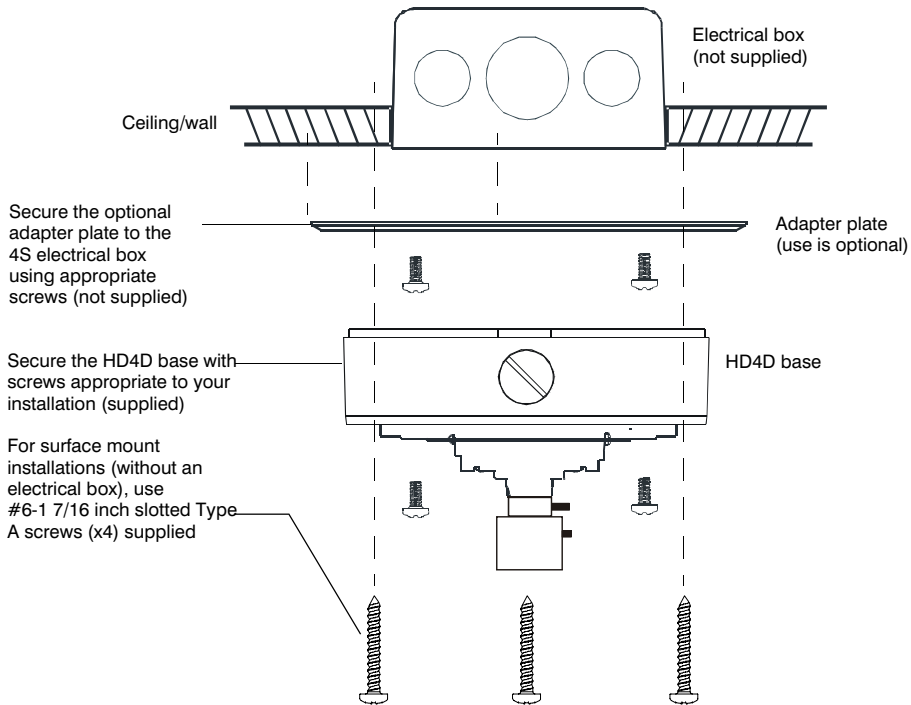
1. Peel back the bottom flat gasket below the side conduit just enough to expose the security screw.
2. Use the Allen key supplied to loosen and remove the security screw (see below).
3. Use a flat screwdriver to unscrew the conduit plug.
4. Pull the cabling through the hole.
5. Apply appropriate sealant around the opening to prevent moisture from entering the housing.



Electrical Box Installations

Figure 2 illustrates how to mount the HD4D directly to a 4S electrical box or directly to wall or ceiling. For 4S electrical box installations, the optional adapter plate can be used to cover ceiling or wall imperfections around the electrical box opening.

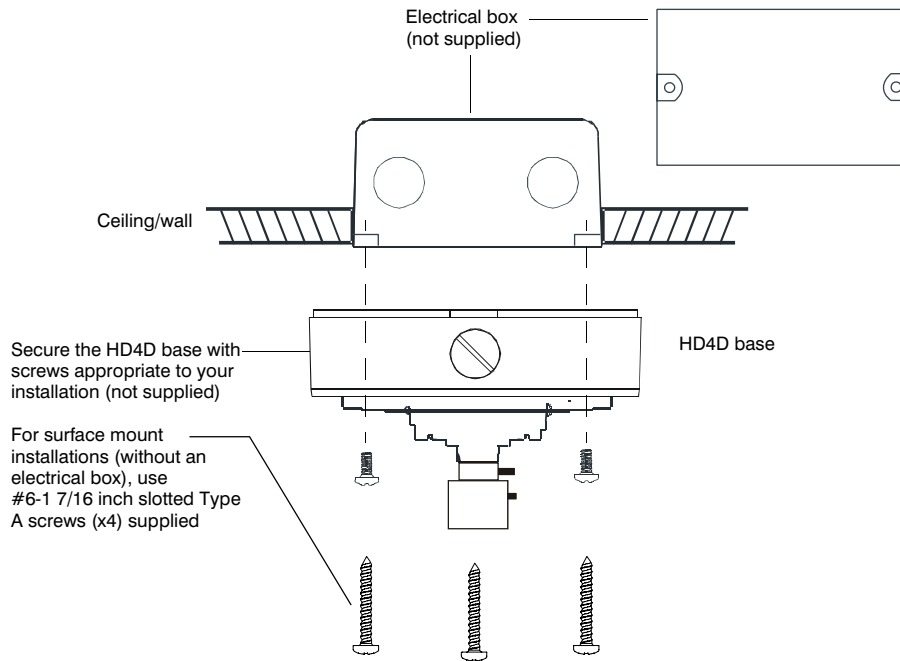
Figure 2 4S Electrical Box Installation



Note Honeywell recommends that you orient the conduit plug facing downwards (wall mount installations) to prevent moisture from entering the housing.

Figure 3 illustrates how to mount the HD4D directly to a double gang or single gang electrical box.

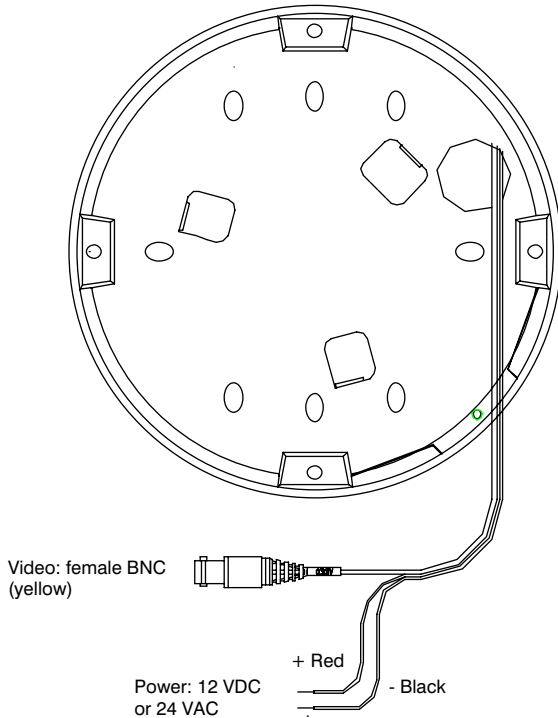
Figure 3 Double Gang/Single Gang Electrical Box Installation (Single Gang Shown)



Connecting the Wiring

Follow *Figure 4* for the wiring connection.

Figure 4 **Wiring Connection**



Note For secure installations, surface mounted cables should be protected by plastic or metal cable covers.

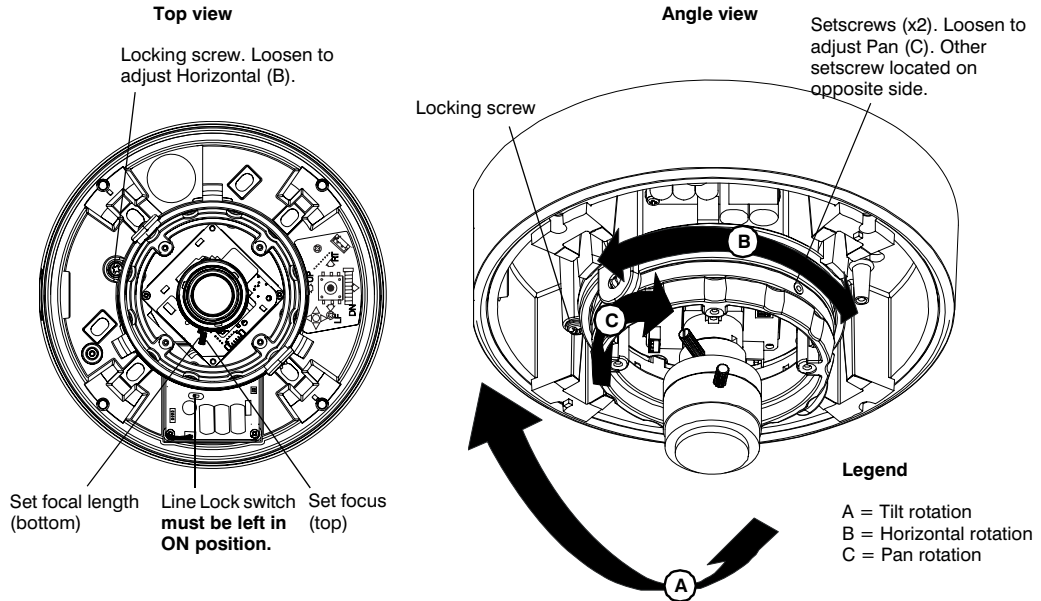
Adjusting the Camera

To adjust the HD4D Camera:

1. Apply 12 VDC or 24 VAC power to the camera and monitor the video signal.
2. Loosen the screws that lock the gimbal assembly in place (see *Figure 5*).
3. Adjust the camera carrier to the desired view.
4. Tighten the screws to lock the gimbal assembly in place.

Note Orient the camera as shown in *Figure 5* to maintain the correct picture orientation.

Figure 5 Gimbal Adjustment



Line Lock

The Line Lock switch on the power supply board must be left in the ON position. To switch between Line Lock and Internal Lock, use the OSD menu (see *Sync Control Setup*, page 19).

Adjusting the Lens Focus

Lenses are pre-focused at the factory but may require a final adjustment after installation in the unlikely event the optical effect of the dome causes a slight defocusing of the lens.

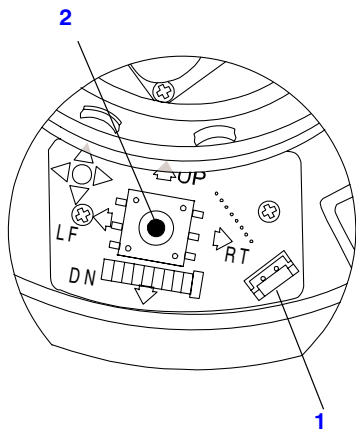
TECH TIP! To check the focus, hold the dome over the lens while making any adjustments.

To adjust the camera direction, view angle and focus, connect the service monitor cable (supplied) to the video monitor output.

Camera Settings

Camera Functions

Figure 6 Camera Controller



Legend

Description

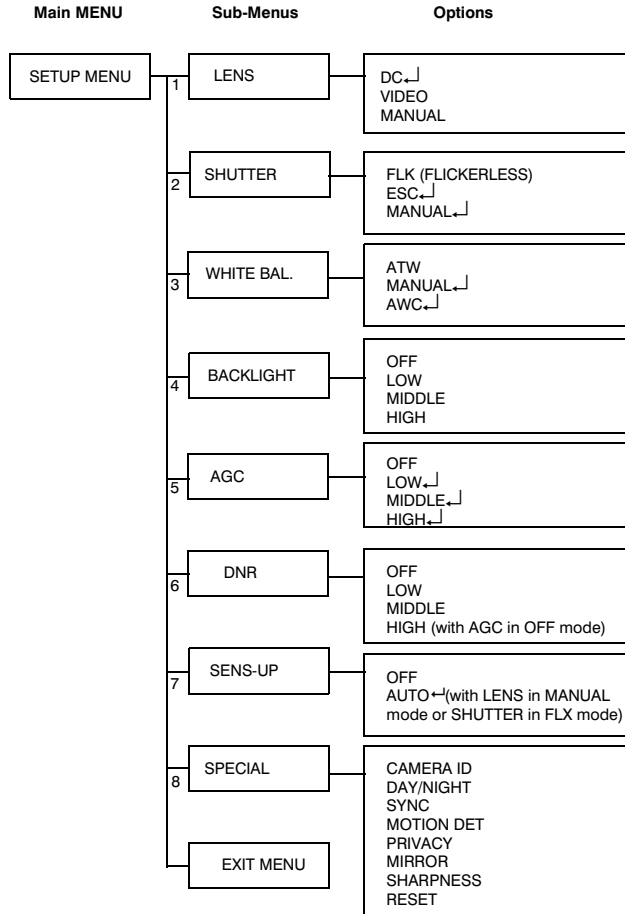
- 1 Video-test monitor output connector
- 2 Camera OSD control (four position plus center push)

Press this control To do this

UP, DOWN	Select a new item
LEFT, RIGHT	Select a menu item
SETUP (MENU) (CENTER PUSH)	Enter SETUP MENU, access a submenu

OSD Menu Structure

The HD4D camera menu system consists of one main setup menu for easy programming.



SETUP Menu

Menu Item	Option	Description
LENS	DC↵ VIDEO MANUAL	Selects Lens type. Only DC mode is supported at this time. Caution Selecting VIDEO or MANUAL adversely affects camera operation.
SHUTTER	FLK MANUAL↵ ESC↵	Adjusts shutter settings. FLK (Flickerless) reduces on-screen flickering. MANUAL adjusts the shutter speed from 1/60-1/120,000 of a second (NTSC) or 1/50-120,000 of a second (PAL). Not available in DC lens mode. ESC (Electronic Shutter Control) adjusts the brightness level on screen. Not available in DC lens mode.
WHITE BAL (White Balance)	ATW MANUAL↵ AWC↵	Controls color on the screen. Select ATW (Auto Tracing White Balance) when the color temp is 2400°K - 12000°K; for example, under a fluorescent light, or outdoors. MANUAL mode allows you to increase or decrease the red or blue factor on the screen. AWC (Auto White Balance Control) automatically adjusts the white balance to your specific environment.
BACKLIGHT	OFF LOW MIDDLE HIGH	Provides light level control to overcome severe backlighting conditions.
AGC	OFF LOW↵ MIDDLE↵ HIGH↵	Adjusts value of AGC (Automatic Gain Control). Increase the GAIN level to brighten the picture (noise/distortion may develop).
DNR (Digital Noise Reduction)	OFF LOW MIDDLE HIGH	Reduces noise/distortion on the screen. Increasing the DNR level reduces noise but may introduce video artifacts. DNR is deactivated if AGC is turned off.
SENS-UP (Sensitivity Up)	OFF AUTO↵	Automatically provides a clear image under low-light conditions. You can control the maximum low-light magnification from 2x to 128x. Increasing magnification may cause noise/distortion.
EXIT		Exits the SETUP menu and returns to video monitoring.

SPECIAL Menu

On the main SETUP menu:

1. Press **UP** or **DOWN** and then select **SPECIAL**.
2. Push **SETUP (MENU)** to access the SPECIAL menu.

Menu Item	Option	Description
1 CAMERA ID	OFF ON	Turns ID display off and on. To add a camera title (name and/or number) to be displayed on the screen, see <i>Adding a Camera Title Display</i> .
2 DAY/NIGHT	AUTO COLOR BW	When set to AUTO , the camera automatically switches to Night mode (B/W) when the light level is low. When set to COLOR , the camera stays in Day mode (Color). When set to BW , the camera stays in Night mode (B/W).
3 SYNC	INT L/L	Synchronizes the vertical interval sync pulse of your camera with other equipment to reduce the effect of picture roll on the monitor. Select L/L (Line Lock) mode to adjust the phase from 0° to 359°.
4 MOTION DET	OFF ON↵	Detects moving objects on screen and displays MOTION DETECTED along with the number of movements counted. Allows you to select the area on screen you want to observe (see <i>Motion Detection Setup</i>).
5 PRIVACY	OFF ON↵	Allows you to mask up to 4 areas of the screen from video monitoring.
6 MIRROR	OFF ON	Produces a horizontal mirror image on screen.
7 SHARPNESS	ON↵ OFF	Sharpens the image on screen. You can adjust the sharpness level from 0 - 31 (excessive sharpening may cause picture noise to develop).
8 RESET		Restores all factory default settings.
RETURN↵		Returns to the main SETUP menu.

Adding a Camera Title Display

On the **SPECIAL** menu, select **CAMERA ID**, then press **SETUP (MENU)**..

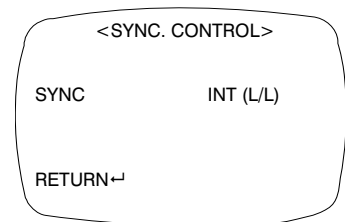
1. Press the menu control **UP, DOWN, LEFT, or RIGHT** to select a character, then press **(SETUP) MENU** to accept it. The character is saved and the title cursor at the bottom of the screen moves to the next position. Use the ← → symbols to go backward or forward in the title name/number to make changes. Select **CLR** to delete the entire title and start again.
2. Repeat *step 1* until your camera title is complete.
3. Select **POS** to position the camera title on the screen. Select the position using the menu control, then press **(SETUP) MENU** to confirm the position.
4. Select **END** when you are finished.



Sync Control Setup

On the **SPECIAL** menu, select **SYNC**, then press **SETUP (MENU)**.

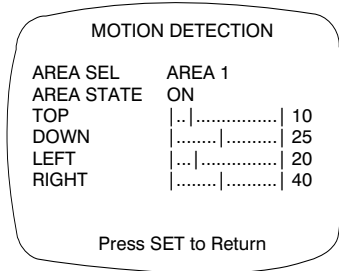
Menu Item	Description
INTERNAL	When line lock is not required.
LINELOCK	Adjust the vertical phase (VPH): VPH: 000 - 359 (factory default is 0).
RETURN	Press MENU to return to the SETUP menu.



Motion Detection Setup

On the **SPECIAL** menu, select **MOTION DET**, then press **SETUP (MENU)**.

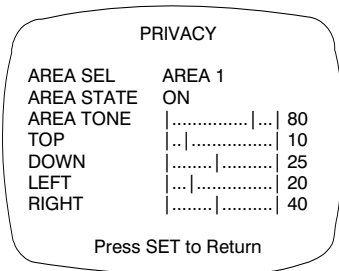
Menu Item	Option	Description
AREA SEL	AREA 1 AREA 2 AREA 3 AREA 4	Select which of the four motion detection grids (top left, top right, bottom left, bottom right) you would like to modify.
AREA STATE	ON OFF	Choose whether to activate or deactivate the selected grid.
TOP DOWN LEFT RIGHT		Press LEFT or RIGHT control to alter the dimensions of the selected grid.



Privacy Mode Setup

On the **SPECIAL** menu, select **PRIVACY**, then press **SETUP (MENU)**.

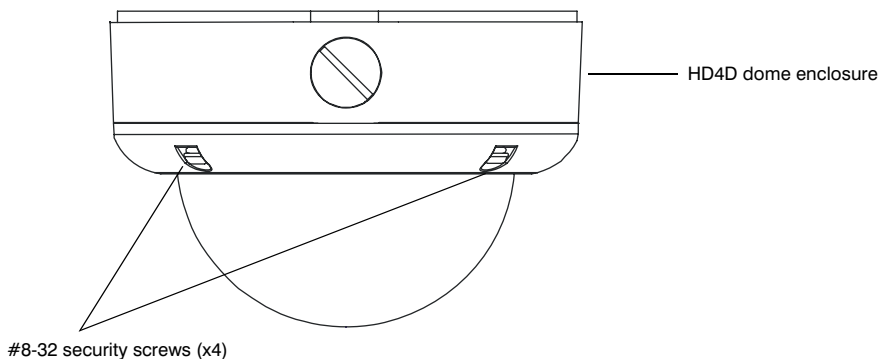
Menu Item		Description
AREA SEL	AREA 1 AREA 2 AREA 3 AREA 4	Select which of the four masking grids (top left, top right, bottom left, bottom right) you would like to modify.
AREA STATE	ON OFF	Choose whether to activate or deactivate the selected grid.
AREA TONE		Press LEFT or RIGHT menu control to change the shade of the masking grids.
TOP DOWN LEFT RIGHT		Press LEFT or RIGHT menu control to alter the dimensions of the selected grid.



Installing the Enclosure Cover

To install the enclosure cover, use the Allen key (supplied) to secure the HD4D dome enclosure to the base with four #8-32 security screws.

Figure 7 Enclosure Cover Installation



Routine Maintenance

Use regular liquid cleaners to remove dirt and grime from the HD4VC4HR dome.

Caution Do not use harsh or abrasive cleaners which can scratch the polycarbonate dome and reduce visibility for the camera.

If the camera view is obstructed by scratches, remove the front plate and rotate to find an unscratched part of the dome.

Solving Common Technical Issues

No Video

- Check that the power supply voltage is within the operating specifications for your camera model. See *Specifications* for details.
- Check the video signal connections are correct.
- Check for a loose connection.

Fuzzy Video

- Check the video ground connections.
- Check for ground loops.

Call Honeywell Technical Support for additional assistance (see *Warranty and Service*).

Warranty and Service

Subject to the terms and conditions listed on the Product warranty, during the warranty period Honeywell will repair or replace, at its sole option, free of charge, any defective products returned prepaid.

In the event you have a problem with any Honeywell product, please call Customer Service at 1.800.796.CCTV for assistance or to request a **Return Merchandise Authorization (RMA)** number.

Be sure to have the model number, serial number, and the nature of the problem available for the technical service representative.

Prior authorization must be obtained for all returns, exchanges, or credits. **Items shipped to Honeywell without a clearly identified Return Merchandise Authorization (RMA) number may be refused.**

Specifications

Video Signal Specifications

Pickup device:	1/3 in. Sony Interline CCD sensor
Synchronization system:	12 VDC: Internal / 24 VAC: (Internal or Line lock)
Vertical phase adjustment:	Adjustable, 0° - 359°, OSD control
Horizontal resolution:	540 TV lines
Lens type:	3.3 - 12 mm Vari-focal Auto Iris, IR Corrected F1.5, DC Drive
Minimum illumination response:	0.3 lux @ F1.5 (Color) 0.03 lux @ F1.5 (B/W) - Sens Up
Signal to noise ratio:	Better than 50 dB (AGC Off)
Gain control:	Automatic, selectable
Lens iris control:	DC Auto Iris type
White balance:	Selectable: ATW/AWB
Gamma:	0.45
BLC:	Low/Middle/High/Off
DNR:	High/Medium/Low
DSS:	Off/Auto (selectable limit 2X - 128X)
Privacy Function	On/Off (4 Programmable Zones)
Video output:	1 V p-p composite
Video output impedance:	75 Ohms

Format Specifications	NTSC	PAL
Color video signal format:	Standard	Standard
Effective picture elements:	768 (H) x 494 (V)	752 (H) x 582 (V)
Scanning system (2:1 interlace):	525 lines, 60 fields/sec.	625 lines, 50 fields/sec.
Electronic shutter:	1/60 - 1/120,000 second	1/50 - 1/120,000 second

General Specifications

Construction:	Die cast (housing) Polycarbonate (dome)
Finish:	Gray/off white powder coating
Dimensions (D) x (H):	5.5 in. x 3.6 in.(140.2 mm x 91.5 mm)
Weight:	2.5 lb. (1.1 kg) max
Power supply auto switching:	12 VDC @ 4.8 watts max. 24 VAC, 60 Hz @ 3.8 watts max.
Temperature:	Storage: -49°F to +167°F (-45°C to +75°C) Operating: -13°F to +131°F (-25°C to +55°C)
Relative humidity:	0% to 95% RH non-condensing

Regulatory

Emissions:	FCC, CE (EN55013)
Immunity:	CE (EN50130-4)
Safety:	EU: 73/23/EEC LVD)
Environmental:	Meets IP66

Cable Guidelines

Maximum Power Supply Cable Length (feet/meters) Cameras With AC/DC Power Supplies

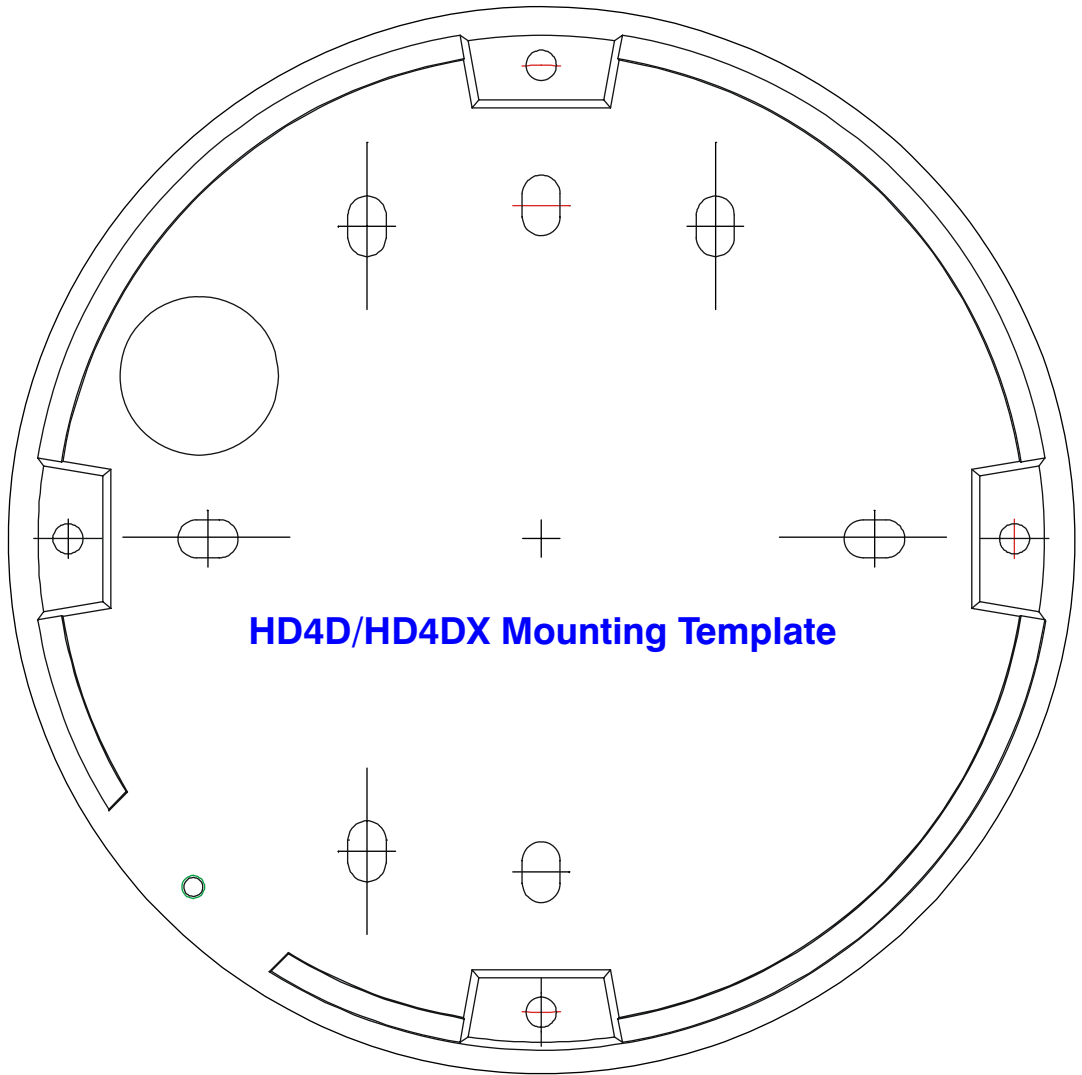
Total load	Optional Power supply	Wire gauge			
		24 AWG	22 AWG	18 AWG	16 AWG
2.5 W	15 VDC	260/79	415/126	1055/322	1680/512
2.5 W	24 VAC	608/185	980/299	2515/767	3930/1198
3.5 W	15 VDC	180/55	290/88	730/220	1170/352
3.5 W	24 VAC	470/143	760/232	1926/587	3065/934

Note Calculations are based on an unregulated linear power supply, which would be the worst case. Using a regulated or switching power supply can increase the cable distance. Honeywell recommends using a **CSA Certified/UL listed Class 2** power adapter to ensure compliance with electrical safety standards.

Maximum Video Coaxial Cable Length (feet/meters)

Cable type	RG-59	RG-6	RG-11
Wire gauge	23 AWG*	18 AWG*	16 AWG*
Maximum length (feet/meters)	750/229	1500/457	2000/610

* Copper clad steel core, 95% braided shield



Honeywell Video Systems (Head Office)

2700 Blankenbaker Pkwy, Suite 150
Louisville, KY 40299, USA
www.honeywellvideo.com
☎ +1.800.796.2288

Honeywell Security Australia Pty Ltd.

Unit 5, Riverside Centre, 24-28 River Road West
Parramatta, NSW 2150, Australia
www.honeywellsecurity.com/au
☎ +61.2.8837.9300

Honeywell Security Asia Pacific

33/F Tower A, City Center, 100 Zun Yi Road
Shanghai 200051, China
www.asia.security.honeywell.com
☎ +86 21.2527.4568

Honeywell Security Asia

Flat A, 16/F, CDW Building, 388 Castle Peak Road
Tsuen Wan, N.T., Hong Kong
www.asia.security.honeywell.com
☎ +852.2405.2323

Honeywell Security France

Parc Gutenberg, 8, Voie La Cardon
91120, Palaiseau, France
www.honeywell.com/security/fr
☎ +33.01.64.53.80.40

Honeywell Security Italia SpA

Via Treviso 2 / 4
31020 San Vendemiano
Treviso, Italy
www.security.honeywell.com/it
☎ +39.04.38.36.51

Honeywell Security España

Miñancas 1. 3ª Planta
P. Ind. Las Mercedes
28022 Madrid, Spain
www.security/honeywell.com/es
☎ +34.902.667.800

Honeywell Video Systems Northern Europe

Netwerk 121
1446 WV Purmerend, The Netherlands
www.honeywell.com/security/nl
☎ +31.299.410.200

Honeywell Video Systems UK Ltd.

Aston Fields Road, Whitehouse Ind Est
Runcorn, Cheshire, WA7 3DL, UK
www.honeywell.com/security/uk
☎ +44 (0) 1928 756999

Honeywell Security South Africa

Unit 6 Galaxy Park, 17 Galaxy Avenue
Linbro Park, P.O. Box 59904
2100 Kengray, Johannesburg, South Africa
www.honeywell.co.za
☎ +27.11.574.2500

Honeywell Security Deutschland

Johannes-Mauthe-Straße 14
D-72458 Albstadt, Germany
www.honeywell.com/security/de
☎ +49.74 31.8 01.0

Honeywell Security Poland

Chmielewskiego 22a, 70-028
Szczecin, Polska
www.ultrak.pl
☎ +48.91.485.40.60

Honeywell Security Czech Republic

Havránkova 33, Brno
Dolní Heršpice, 619 00, Czech Republic
www.olympo.cz
☎ +420.543.558.111

Honeywell Security Slovakia Republic

Vajnorská 142, 83104 Bratislava
Slovakia
www.olympo.sk
☎ +421.2.444.54.660

Honeywell

www.honeywellvideo.com
+1.800.796.CCTV (North America only)
HVSsupport@honeywell.com

Document 800-00023 – Rev D – 05/07

© 2007 Honeywell International Inc. All rights reserved. No part of this publication may be reproduced by any means without written permission from Honeywell Video Systems. The information in this publication is believed to be accurate in all respects. However, Honeywell Video Systems cannot assume responsibility for any consequences resulting from the use thereof. The information contained herein is subject to change without notice. Revisions or new editions to this publication may be issued to incorporate such changes.

Download from www.Somanuals.com. All Manuals Search And Download.

Free Manuals Download Website

<http://myh66.com>

<http://usermanuals.us>

<http://www.somanuals.com>

<http://www.4manuals.cc>

<http://www.manual-lib.com>

<http://www.404manual.com>

<http://www.luxmanual.com>

<http://aubethermostatmanual.com>

Golf course search by state

<http://golfingnear.com>

Email search by domain

<http://emailbydomain.com>

Auto manuals search

<http://auto.somanuals.com>

TV manuals search

<http://tv.somanuals.com>